

Conditions and restrictions

This document is delivered subject to the following conditions and restrictions

- This document is prepared for the Hitachi branded products(“Products”) manufactured by Deere Hitachi Construction Machinery(“DHCM”) and distributed by John Deere Construction and Forestry Company (“JDCFC”) by February 28, 2022.
- This document is delivered on February 28, 2022 for *reference purpose* to the dealers appointed by Hitachi Construction Machinery Americas Corp.(“HCMA”) after the termination of manufacturing of the Products by DHCM, and distribution of the Products by JDCFC and through its dealers, provided that JDCFC is not responsible for service for the Products on or after March 1, 2022.
- HCMA provides support to its dealers for servicing of the Products on or after March 1, 2022.
- This document may be partially not applied to the Products on or after March 1, 2022. (ie, Telematics system, spare parts and other features.)
- The dealers of HCMA shall contact HCMA in case they have any questions or problems in this document. Contact detail of HCMA:
 - Service Manual: service@hitachicm.us +1-888-426-5076
 - Parts Manual: parts@hitachicm.us +1-800-448-4606
- This document shall not be disclosed to third parties other than HCMA dealers.

Hitachi Construction Machinery Co., Ltd.

Zaxis210LC-6N Hitachi Excavator
PIN:1FFDC571 __ F340002



JOHN DEERE

PARTS CATALOG

Zaxis210LC-6N Hitachi Excavator

PIN:1FFDC571 __ F340002

PC11370 (May-21) English

Worldwide Construction and Forestry Division

Worldwide Edition
Printed in U.S.A. (Revised)
COPYRIGHT © 2021
DEERE & COMPANY
Moline, Illinois
All rights reserved

Zaxis210LC-6N Hitachi Excavator

TX1189840 A.1



Zaxis210LC-6N Hitachi Excavator

(Manufactured 2015—)

(Engine 4HK1XASA02)

(Specifications and design are subject to change without notice)

To The Customer

The part numbers in this Parts Catalog were correct at the time of publication. Per John Deere policy, we continuously improve our products. Therefore, when ordering parts verify the part numbers with your dealer.

SI Units of Measure

Metric dimensions are provided as applicable throughout this parts catalog.

Bolt and Cap Screw Strength Identification

Bolts and cap screws required to have high-strength qualities equivalent to metric property class 10.9 (SAE grade 8) or higher are identified throughout this catalog by the description 10.9, 12.9 or 14.9. All standard bolts and cap screws are metric property class 8.8 (SAE grade 5) or lower.

Serial Number Listing Information

Serial number information is listed to show on which machines each part can be used; for example:

- **The part can be used on all products.**
- 000000** - **The part can be used on products beginning with the serial number listed.**
- **000000** **The part can be used on products up to and including the serial number listed.**
- 000000** - **000000** **The part can be used on products between and including the serial number listed.**

When XXXXXX's are listed in place of a serial number, a serial number change was made, but the exact serial number was not available at the time of publication.

Direction Arrow

Arrows are used with illustrations to indicate the front of the unit. "Right-Hand" and "Left-Hand" sides are determined by facing in direction of machine forward travel.

Box-Enclosed Illustrations

Box-enclosed keyed parts in the illustration are available as a service assembly or an attachment. These parts may also include parts not available for service. The illustrations may not show all individual parts of an attachment. A box not keyed includes non-current parts.

Complete Goods Listings

Complete Goods are listed in bold face type. Order separately. Do not include on replacement part order.

Orientation of Engine

Right Hand (RH) and Left Hand (LH) sides are determined by standing at flywheel and facing the engine.

John Deere Remanufactured Components

The REMAN parts listed in this catalog are intended for the repair or replacement of failed or worn original equipment components. John Deere Reman components are manufactured to stringent John Deere standards and produced to original John Deere specifications that incorporates the latest design and performance improvement updates.

Manual Identifier

IMPORTANT: Use only supporting manuals designated for your specific machine. If an incorrect manual is chosen, improper parts selection may occur. Verify product identification number (PIN) when choosing the correct manual.

Choosing the Correct Supporting Manuals

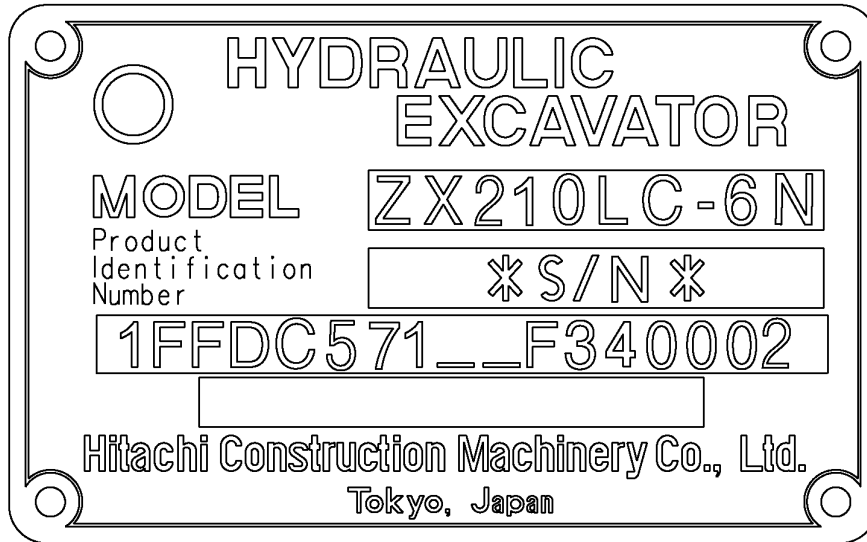
John Deere equipment is available in different machine configurations based on the various markets into which they are sold.

Different supporting manuals exist for different machine configurations.

When necessary, product identification numbers are listed on the front covers of the manuals. These numbers are used to identify the correct supporting manual for your machine.

17 Digit Product Identification Number

TX1189843 B.1



1
2
3
4
5
6

1FFDC571__F340002

TX1189843

Key			
1	World Code	1FF	Deere Hitachi
2	Model Identifier	DC57	ZX210LC-6N
3	Check Letter		Factory Use Only
4	Year Manufacturing Code	F	Code E.....2014 F.....2015
5	Engine Emissions Code	F	Emissions Level E.....Interim Tier 4 F.....Final Tier 4
6	Machine Serial Number	012345	

Engine Emission Level Identification

Engine Model Number	Emissions Level
ISUZU 4HK1XASA02	Final Tier 4

Trademarks

Throughout this parts catalog, you may find the following Deere and Company trademarks:

Best Bid™	CounterParts™	DEERE™ (Deere™)
Dura-Trax™	Fanggs™	Guardian™
HTH™	Jagz™	JDLink™
MARKS™	MIC™ [Machine Information Center]	MTH™
Power Curve™	Powerllel™	PowerShift Plus™
Powerwise™	POWR SAVR™	PowrShift™
ProPath™	Quad-Cool™	Quik-Tatch™
SC-2™	Side-Tracker™	Stinger™
StructureALL™	Swamper™	TMC™ [Total Machine Control]
ValueSelect™	Waratah™	Worksite Pro™
FlexBox™	Funk™	iTorque™
Phoenix™	Phoenix International™	PowerTech™
PowerTech™ E	PowerTech™ M	PowerTech™ Plus
Precision Joint™	SHIFT-O-MATIC™	SWEDA™ (Super Wide Extreme Dual Axle)
TeamMate™	TeamMate™II	TeamMate™ IV
TMII™	TMIII™	

Remarks and Abbreviations

The following remarks and abbreviations may appear throughout this parts catalog. Refer to the following table for translations.

Phrase	Meaning	Phrase	Meaning
ALSO ORDER, ORD W/	Also Order	MFWD	Mechanical Front Wheel Drive
AMP	Ampere	NA, NOT USED THIS APPL	Not used in this application
APPL, APPL ONLY	This application only	NLA	No longer available
AR	As required	NSEP	Not available separately
ASSY	Complete assembly	OD	Outside diameter
BOAC	Bolt-on cutting edge	OPTIONAL	Optional
CCW	Counterclockwise	OR	Or
COMPLETE	Complete	ORD, ORDER	Order
COMPLETE GOODS	Complete goods	OS	Oversize
CONVENIENCE ASSY, CA	Convenience assembly	OUTER	Outer
CTL, CUT TO LENGTH	Cut to length	PKG, PACKG	Package, Packet of
CW	Clockwise	PTO	Power Take Off
ENGINE	Engine	RATIO	Ratio
FOR	For	REAR	Rear
FRONT	Front	REMAN	Remanufactured
GAS	Gasoline	REPL	Replaces
HFWD	Hydraulic Front-Wheel Drive	RH	Right-hand
HP	Horsepower	SN	Serial number
HS, HEAD MARKED	High Strength, head marked	STD	Standard
ID	Inside diameter	SUB	Replaced by
INCH	Inch	SUB COMPONENTS	Substitute components (of the kit or assy)
INCL KEYS	Includes keys...	SUB FOR	Substitutes for
INCL, INCLUDES	Includes...	TEETH, Z	Number of gear teeth
INCLUDES PARTS/ ITEMS MARKED	Includes parts/items marked...	TK	Thickness
INNER	Inner	UP, UPPER	Upper
KIT	Kit	US	Undersize
L	Number of links	USE UNTIL EXHAUSTED	Use until exhausted
LF, LINE FILL	Line Fill	USE WITH	Use with
LGP	Low Ground Pressure	VEC	Vehicle Electronic Controller
LGTH	Length	VLC	Vehicle Load Center
LT	Long Track	WHOLE GOODS	Whole Goods
MAKE FROM, MF	Make from	WT	Wide Tracks
MARKED	Marked	XLT	Extra Long Track
MATCHED SET	Matched set		

Table of Contents

01 Wheels & Tires & Tracks	
0130 Track Systems	34
03 Transmission	
0360 Transmission Hydraulics	62
04A Engine 4HK1XASA02A-YA00028489 (- 340109)	
0400 Engine 4HK1XASA02A	78
04B Engine 4HK1XASA12A-YA00046929 (340110 -)	
0400 Engine 4HK1XASA12A	176
05 Engine Auxiliary System	
0505 Cold Weather Starting Aids	272
0510 Engine Cooling Systems	274
0520 Intake System	282
0534 Exhaust Aftertreatment	292
0540 Engine Mounting	304
0560 External Fuel Supply Systems	306
13 Miscellaneous Vehicle	
1311 Vehicle Assembly	314
1322 Labels & Trademarks	316
16 Vehicle Electrical Systems	
1671 Batteries, Support & Cables	320
1673 Vehicle Lighting System	324
1674 Wiring Harness & Switches	350
1675 System Controls	374
17 Frame Chassis Or Supporting Structure	
1740 Frame Installation	382
18 Operator's Station	
1810 Operator's Enclosure	390
1821 Seat And Seat Belts	448
1822 Steps & Handholds	476
1830 Heating & Air Conditioning	478
19 Sheet Metal and Styling	
1910 Hood Or Engine Enclosure	504
20 Safety, Convenience and Miscellaneous	
2001 Radio	546
2002 Mirror	548
2004 Warning Devices Including Horn & Reverse Alarm	554
2005 Toolbox	560
2010 Miscellaneous	562
21 Vehicle Main Hydraulic System	
2161 Hydraulic Pumps & Drives	566
2162 Hyd Selective Control & Load Holding Valves	578
2164 Hydraulic Reservoir, Filter & Cooler	592
26 Global Vehicle Communication	
2601 Communication Controller	598
33 Backhoe and Excavator	
3302 Bucket With Teeth	608
3315 Controls Linkage	644
3340 Backhoe and Excavator Frames	668
3362 Control and Load Holding Valves	684
3363 Lines, Hoses and Fittings	720
3365 Hydraulic Cylinders	800
43 Swing, Rotation Or Pivoting System	

Table of Contents - Continued

4343 Swing Bearing and Mounting.....	810
4360 Hydraulics.....	814
46 Automatic Control	
4615 Linkages.....	828
4640 Frames and Housings.....	830
4670 Electrical Components.....	834

Alphabetical Index

	Page		Page
0-05 Engine Gasket Kit.....	80, 178	Air Conditioner (A/C) Compressor Components	490
0-05 Engine Head Gasket Kit.....	82, 180	Air Conditioner (A/C) Condenser Components	492
0-10 Engine Cylinder Head Cover.....	84, 182	Air Conditioner (A/C) Solar Sensor.....	500
0-11 Engine Cylinder Head.....	88, 186	Air Conditioner Compressor and Condenser Hoses (- 340456).....	494
0-11 Engine Cylinder Head Support.....	86, 184	Air Conditioner Compressor and Condenser Hoses (340457 -).....	496
0-12 Engine Cylinder Block.....	90, 188	AIR CONDITIONER COMPRESSOR HOSE (- 340456).....	494
0-12 Engine Cylinder Block and Support.....	92, 190	Air Conditioner Condenser.....	488
0-13 Oil Pan And Level Gauge.....	94, 192	AIR CONDITIONER CONDENSER HOSE (- 340456).....	494
0-14 Engine Camshaft And Valve Support.....	98, 196	Air Conditioner Refrigerant Hose and Compressor Belt (- 340003).....	484
0-14 Engine Camshaft And Valves.....	96, 194	Air Conditioner Refrigerant Hose and Compressor Belt (340004 -).....	486
0-15 Crankshaft, Pistons, and Flywheel.....	100, 198	Air Conditioning Compressor.....	488
0-20 Flywheel Housing and Support.....	104, 202	Air Conditioning Compressor, Condenser and Sensor.....	488
0-20 Timing Gear Case.....	102, 200	Air Duct.....	482
0-25 Engine Air Intake Manifold.....	106, 204	Air Flow Tube, Intercooler.....	278
0-27 Engine Exhaust Manifold.....	108, 206	Air Hose, Ventilation System-0-28-4HK1XASA02A-YA00028489.....	110
0-28 Engine Ventilation.....	110, 208	Air Hose, Ventilation System-0-28-4HK1XASA12A-YA00046929.....	208
0-30 Water Pump.....	112, 210	Air Hoses, Intercooler.....	278
0-31 Thermostat and Housing.....	114, 212	Air Intake Manifold, Engine-0-25-4HK1XASA02A-YA00028489.....	106
0-31 Thermostat Lines.....	116, 214	Air Intake Manifold, Engine-0-25-4HK1XASA12A-YA00046929.....	204
0-32 Water Bypass Manifold Plumbing.....	118, 216	Air Spring Seat Kit, Air Suspension Seat.....	458
0-33 Fan and Fan Belt.....	120, 218	Air Suspension Heated Seat Components.....	458
0-33 Fan Motor Mounting.....	122, 220	Air Suspension Seat Heater Switch and Wiring Harness (- XXXXXX).....	460
0-35 Engine Throttle Control Valve.....	124, 222	Air Suspension Seat Heater Switch and Wiring Harness (XXXXXX -).....	462
0-36 Heat Exchangers, Water Pump to Exhaust Gas Recirculation (EGR).....	128, 226	Air Suspension Seat, Heated (- 340456).....	454
0-36 Turbocharger.....	126, 224	Air Suspension Seat, Heated (340457 -).....	456
0-36 Turbocharger Cooling Plumbing.....	130, 228	Air Temperature Sensor, Engine Air Intake Manifold-0-25-4HK1XASA02A-YA00028489.....	106
0-40 Fuel Injection Lines.....	134, 232	Air Temperature Sensor, Engine Air Intake Manifold-0-25-4HK1XASA12A-YA00046929.....	204
0-40 Fuel Injection Pump and Support.....	234	Alarm Switch, Motion.....	558
0-40 Fuel Injection System.....	132, 230	Alarm Switch, Travel.....	558
0-40 Fuel Injection System Support.....	136	Alarm, Motion, Buzzer.....	364
0-41 Final Fuel Filter.....	138	Alarm, Travel.....	556
0-42 Fuel Pump Line.....	140, 236	Alarm, Travel Warning, Buzzer.....	364
0-50 Engine Oil Cooler.....	142, 238	Alternator Mounting-0-60-4HK1XASA12A-YA00046929.....	246
0-51 Engine Oil Pump And Strainer.....	144, 240	Alternator Wiring Harness, Engine Electrical Control Parts-0-60-4HK1XASA02A-YA00028489.....	150
0-52 Engine Oil Vacuum Lines To Timing Gear Case and Flywheel.....	146, 242	Alternator Wiring Harness, Engine Electrical Control Parts-0-60-4HK1XASA12A-YA00046929.....	246
0-57 Exhaust Gas Recirculation (EGR).....	148, 244	Alternator, 0-60 Engine Control Unit (ECU).....	150
0-60 Engine Control Unit (ECU).....	150	Alternator, 0-60 Engine Electrical Control Parts.....	246
0-60 Engine Electrical Control Hardware.....	154	Alternator, 0-66 Alternator Components.....	158, 252
0-60 Engine Electrical Control Mounting.....	152	Alternator, Engine Electrical Control Parts-0-60-4HK1XASA02A-YA00028489.....	150
0-60 Engine Electrical Control Parts.....	246	Alternator, Engine Electrical Control Parts-0-60-4HK1XASA12A-YA00046929.....	246
0-60 Engine Electrical Control Parts, Hardware.....	248	Anchor Bolt, Cab.....	410
0-65 Starter Components.....	156, 250	Antenna, Cab Components, Cab Light, Antenna, and Speakers.....	396
0-66 Alternator Components.....	158, 252	Antenna, Global Navigation Satellite System (GNSS), Machine Guidance.....	854
1-10 Fan Shroud.....	160, 254	Antenna, Radio.....	396
1-46 Diesel Exhaust Fluid (DEF) Supply Module and Dosing Injector.....	162, 256	Antenna, ZXLink™.....	602
1-50 Diesel Oxidation Catalyst (DOC) and Aftertreatment.....	164	Antenna, ZXLink™ (Field Kit).....	600
1-50 Diesel Oxidation Catalyst (DOC) and Muffler.....	258	Antenna, ZXLink™ Modular Telematics Gateway (MTG) Assembly, 4G LTE.....	606
1-50 Exhaust System Bracket.....	264	Antenna, ZXLink™ Modular Telematics Gateway, 4G LTE.....	604
1-50 Exhaust System Bracket and Sensors.....	168	Antenna, ZXLink™ MTG Assembly.....	600
1-50 Exhaust System Hardware.....	262	Antenna, ZXLink™ Satellite (SAT) Module Controller.....	602
1-50 Selective Catalytic Reduction (SCR).....	166, 260	Arm Auxiliary Lines (High Flow) (2.42 m).....	786
8-10 Engine Wiring Harness.....	170, 266	Arm Auxiliary Lines (High Flow) (2.91 m Arm) (- 340456).....	788
8-15 Engine Wiring Harness Mounting Hardware.....	172, 268	Arm Cylinder Components.....	804
8-25 Battery Relay.....	174, 270	Arm High Flow Auxiliary Lines (2.42 m) Kit.....	786
		Arm High Flow Auxiliary Lines (2.91 m Arm) (- 340456).....	788
		Arm High Flow Auxiliary Lines, 2.91 m (9.55 ft) (- 340456).....	788
		Arm High Flow Auxiliary Lines, 2.91 m (9.55 ft) (340457 - 340890).....	790
		Arm High Flow Auxiliary Lines, 2.91 m (9.55 ft) (340891 -).....	792
		Arm High Flow Auxiliary Lines, Short.....	786
		Arm Link.....	674
		Arm Link, Machine Guidance.....	828
		Arm, 2.91 m (9.55 ft).....	672
		Arm, 2.91 m (9.55 ft), Machine Guidance.....	830
		Arm, Arm, 2.91 m (9.55 ft).....	672
		Arm, Arm, 2.91 m (9.55 ft), Machine Guidance.....	830
		Arm, Front Windshield Wiper.....	406
		Arm, Locking; Hydraulic Coupler.....	638
		Arm, Rocker Arm Shaft, 0-14 Engine Camshaft And Valves.....	96, 194
		Arm, Rocker Arm, 0-14 Engine Camshaft And Valves.....	96, 194
		Arm, Short 2.42 m.....	670
		Arm, Short Arm 2.42 m (7.94 ft).....	670
		Arm, Standard, 2.91 m.....	672
		Arm, Wiper Arm, Cab Components, Windshield.....	406
		Armrest, Cab.....	426
A			
Absorber, Seat Shock Absorber Kit, Premium Seat Components (340571 -).....	466		
Access Panels (- 340456).....	534		
Adapter, Heavy Duty Bucket (24 in) (0.51 yd ³).....	616		
Adapter, Heavy Duty Bucket (30 in) (0.71 yd ³).....	618		
Adapter, Heavy Duty Bucket (36 in) (0.91 yd ³).....	620		
Adapter, Heavy Duty Bucket (42 in) (1.11 yd ³).....	622		
Adapter, Heavy Duty Bucket (48 in) (1.31 yd ³).....	624		
Adjuster Kit, Air Suspension Seat.....	458		
Adjuster, Track Chain.....	44		
Aftertreatment (- 340098).....	292		
Aftertreatment (340099 -).....	294		
Aftertreatment Bracket.....	296		
Air Breather, Ventilation System-0-28-4HK1XASA02A-YA00028489.....	110		
Air Breather, Ventilation System-0-28-4HK1XASA12A-YA00046929.....	208		
Air Cleaner.....	282		
Air Cleaner Cap and Mounting.....	284		
Air Cleaner Hoses.....	290		
Air Conditioner (A/C) and Heater.....	478		
Air Conditioner (A/C) and Heater Components.....	480		
Air Conditioner (A/C) and Heater Duct.....	482		

Alphabetical Index - Continued

	Page		Page
Armrest, Cab Console and Armrest.....	426	Boom Cylinder Lines To Control Valve	732
Ashtray	424	Boom Cylinder, Left	800
Ashtray, Console Cover.....	424	Boom Cylinder, Right.....	802
Attaching Pins, Bucket Thumb (Kits Built 28 June 2010 -).....	680	Boom Foot Pin.....	388
Attachment Jumper Wiring Harness (340457 - 340890).....	356	Boom High Flow Auxiliary Lines	794
Attenuator Lines	734	Boom Hydraulic Lines To Cylinders.....	780
Auto-Idle Switch, Cab Wiring Harness	358	Boom Light Wiring Harness, Mono Boom	332
Auxiliary Audio Interface Wiring Harness	564	Boom Lines To Control Valve	736
Auxiliary Audio Wiring Harness	564	BOOM PINS AND BUSHINGS	668
Auxiliary Foot Control Solenoid Valve Kit, 1 Way	710	Boom Work Light Wiring Harness	330
Auxiliary Foot Control Solenoid Valve Kit, 2 Way	712	BOOM WORK LIGHT, GROUND WIRE, Light Kit.....	330
Auxiliary Foot Pedal, Two Way	662	Boom Work Light, Halogen.....	330
Auxiliary Function Lever and Lines.....	716	Boom Work Light, LED (340457 - 340885)	342
Auxiliary Functional Solenoid Valve Components	718	Boom Work Light, LED (340886 -)	344
Auxiliary High Flow Boom Hydraulic Lines	794	Boom Work Light, Power Wiring Harness, Mono Boom.....	332
Auxiliary Hydraulics, Electric Solenoid Valve Kit	712	Boom, 5.68 m (18.7 ft).....	668
Auxiliary Lines, Arm (High Flow) (2.42 m)	786	Boom, Machine Guidance	832
Auxiliary Lines, Arm (High Flow) (2.91 m Arm) (- 340456).....	788	Boom, Standard.....	668
Auxiliary Pilot Control Valve Components	666	Bottom Covers (- 340456)	534
Auxiliary Pressure Relief Valves.....	714	Bottom Covers (340457 -)	536
Auxiliary Three Button Cancel Switch Wiring Harness.....	362	Bracket, Aftertreatment.....	296
Auxiliary Three Button Cancel Switch Wiring Harness, Left Pilot Control Handle.....	656	Bracket, Aftertreatment (- 340098).....	292
Axle, Lower Track Roller	42	Bracket, Air conditioner Compressor (- 340003)	484
Axle, Track Chain Idler (- 340516).....	46	Bracket, Air Conditioner Condenser (- 340003)	484
Axle, Track Chain Idler (340517 -).....	48	Bracket, Attenuator Lines	734
		Bracket, Auxiliary Function Lever and Lines	716
		Bracket, Battery (- 340883).....	320
B		BRACKET, CARRIER TRACK ROLLER	40
Bar, Open Center 1 Bar Shoe, Track Chain Assembly, Long Carriage	52	Bracket, Diesel Exhaust Fluid (DEF) Lines	302
Bar, Open Center 3 Bar Shoe, Track Chain Assembly, Long Carriage	52	Bracket, Diesel Exhaust Fluid Tank.....	298
Bar, Open Center 3 Bar Shoe, Track Chain Assembly, Standard	50	Bracket, Engine Control Unit.....	374
Batteries, Support and Cables (- 340883).....	320	Bracket, Engine Cover.....	532
Batteries, Support, and Cables (340884 -).....	322	Bracket, Engine Cylinder Head-0-11-4HK1XASA02A-YA00028489	86
Battery (- 340883).....	320	Bracket, Engine Cylinder Head-0-11-4HK1XASA12A-YA00046929	184
Battery Cable (- 340883).....	320	Bracket, Engine Electrical Control Parts, Mounting-0-60-4HK1XASA02A-YA00028489	152
Battery Cover (- 340883).....	320	Bracket, Engine Mounting	304
Battery Disconnect Switch (- 340883).....	320	Bracket, Exhaust Gas Recirculation (EGR)-0-57-4HK1XASA02A-YA00028489	148
Battery Disconnect Wiring Harness (- 340883).....	320	Bracket, Exhaust Gas Recirculation (EGR)-0-57-4HK1XASA12A-YA00046929	244
Battery Relay (- 340883).....	320	Bracket, Exhaust Pipe and Silencer-1-50-4HK1XASA02A-YA00028489	168
Battery Relay Cover (- 340883).....	320	Bracket, Exhaust Pipe and Silencer-1-50-4HK1XASA12A-YA00046929	264
Battery Wiring Harness (- 340883).....	320	Bracket, Falling Object Protection Kit	442
Battery, Battery Cable, Batteries, Support and Cables (- 340883).....	320	Bracket, Fan Motor Mounting-0-33-4HK1XASA02A-YA00028489	122
Battery, Battery Cable, Batteries, Support, and Cables (340884 -).....	322	Bracket, Fan Motor Mounting-0-33-4HK1XASA12A-YA00046929	220
Battery, Dry Charged Battery, Batteries, Support and Cables (- 340883).....	320	Bracket, Fan Shroud-1-10-4HK1XASA02A-YA00028489	160
Battery, Wet Charged Battery, Batteries, Support and Cables (- 340883).....	320	Bracket, Fan Shroud-1-10-4HK1XASA12A-YA00046929	254
Battery, Wet Charged Battery, Batteries, Support, and Cables (340884 -).....	322	Bracket, Fuel Injection Lines-0-40-4HK1XASA02A-YA00028489	134
BEARING BOTTOM COVER, TRACK FRAME (- 340456).....	56	Bracket, Fuel Injection Lines-0-40-4HK1XASA12A-YA00046929	232
BEARING, CARRIER TRACK ROLLER	40	Bracket, Fuel Injection Support System-0-40-4HK1XASA02A-YA00028489	136
Bearing, Crankshaft-0-15-4HK1XASA02A-YA00028489	100	Bracket, Fuel Injection Support System-0-40-4HK1XASA12A-YA00046929	234
Bearing, Crankshaft-0-15-4HK1XASA12A-YA00046929	198	Bracket, Fuel Injection System-0-40-4HK1XASA02A-YA00028489	132
BEARING, TRACK IDLER (- 340516).....	46	Bracket, Fuel Injection System-0-40-4HK1XASA12A-YA00046929	230
Bearing, Track Idler (340517 -).....	48	Bracket, Fuel Pump Line-0-42-4HK1XASA02A-YA00028489	140
Bearing, Swing	812	Bracket, Fuel Pump Line-0-42-4HK1XASA12A-YA00046929	236
Belt Kit, Air Suspension Seat.....	458	Bracket, Fuel System Hoses	310
Belt, Air Conditioner Compressor (- 340003)	484	Bracket, Headlight	326
Belt, Belt Kit, Air Suspension Heated Seat Components	458	Bracket, hydraulic oil filter.....	740
Belt, Belt Kit, Mechanical Suspension Seat Components	452	Bracket, Hydraulic Oil Reservoir.....	594
Belt, Fan, Engine-0-33-4HK1XASA02A-YA00028489	120	Bracket, Monitor	364
Belt, Fan, Engine-0-33-4HK1XASA12A-YA00046929	218	Bracket, Pattern Changer (- 340456)	702
Belt, Seat Belt, Air Suspension Seat, Heated (- 340456).....	454	Bracket, Radiator Top Cover	520
Belt, Seat Belt, Air Suspension Seat, Heated (340457 -)	456	Bracket, Surge Tank	280
Belt, Seat Belt, Mechanical Suspension Seat (- 340456).....	448	Bracket, Travel Alarm	556
Belt, Seat Belt, Mechanical Suspension Seat (340457 -).....	450	Bracket, Two Way Auxiliary Foot Pedal.....	662
Belt, Seat Belt, Premium Seat (340571 -)	464	Bracket, Undercarriage Frame	34
Belt, Seat, Mechanical Suspension Seat (- 340456).....	448	Brackets, Cab	398
Blade, Front Windshield Wiper	406	Brackets, Cab Roof	402
Blade, Wiper Blade, Cab Components, Windshield	406	Brackets, Control Valve Mounting	578
Blower Speed Switch, Cab Wiring Harness	358	Brackets, Cooling Fan-1-10-4HK1XASA02A-YA00028489	160
Blower, Blower Kit, Premium Seat Components (340571 -)	466	Brackets, Cooling Fan-1-10-4HK1XASA12A-YA00046929	254
Blower, Blower Motor, Premium Seat Components (340571 -).....	466	Brackets, Hydraulic Pump Compartment Panels	528
Blower, Fan, 0-33 Fan and Fan Belt.....	120, 218	Brake Valve, Propel Motor, Components.....	66
Boom Auxiliary Hydraulic Lines (High Flow) Kit	794	Brake Valve, Travel Motor	64
Boom Bottom Lines	796	Brake Valve, Travel Motor Components.....	66
Boom Bottom To Arm Hydraulic Cylinder Lines.....	780	Breather, 0-28 Engine Ventilation	110, 208
Boom Cylinder Lines	732	Breather, Ventilation System-0-28-4HK1XASA02A-YA00028489	110
Boom Cylinder Lines To Boom Bottom Lines	732	Breather, Ventilation System-0-28-4HK1XASA12A-YA00046929	208

Alphabetical Index - Continued

<i>Page</i>	<i>Page</i>		
Bucket Cylinder	670	Cab Components, Sunroof, Shade, and Headliner	402
Bucket Cylinder Components	806	Cab Components, Windshield	406
Bucket Link	676	Cab Console and Armrest	426
Bucket Seals (340140 -)	608	Cab Dome Light	396
Bucket Thumb Attaching Pins (Kits Built 28 June 2010 -)	680	Cab Door Components	392
Bucket, Bucket Tooth Adapter, Esco Ultralok™ Teeth, Heavy-Duty Bucket, 106.7 cm (42 in), 0.87 m ³ (1.14 yd ³)	612	Cab Door Lock	392
Bucket, Bucket Tooth Adapter, Esco Ultralok™ Teeth, Heavy-Duty Bucket, 121.9 cm (48 in), 1.02 m ³ (1.34 yd ³)	614	Cab Door Window Glass	392
Bucket, Bucket Tooth Adapter, Esco Ultralok™ Teeth, Heavy-Duty Bucket, 91.4 cm (36 in), 0.72 m ³ (0.94 yd ³)	610	Cab Floor Brackets	420
Bucket, Bucket Tooth Adapter, Heavy-Duty Bucket, 1.06 m (42 in), 0.85 m ³ (1.11 yd ³)	622	Cab Floor Cover	422
Bucket, Bucket Tooth Adapter, Heavy-Duty Bucket, 1.2 m (48 in), 1.0 m ³ (1.31 yd ³)	624	Cab Floor Plate	414
Bucket, Bucket Tooth Adapter, Heavy-Duty Bucket, 60.96 cm (24 in), 0.39 m ³ (0.51 yd ³)	616	Cab Floor Plate Hardware	412
Bucket, Bucket Tooth Adapter, Heavy-Duty Bucket, 76.2 cm (30 in), 0.54 m ³ (0.71 yd ³)	618	Cab FOPS	442
Bucket, Bucket Tooth Adapter, Heavy-Duty Bucket, 91.44 cm (36 in), 0.69 m ³ (0.91 yd ³)	620	Cab Guard, Operator Protection, Front (- 340456)	438
Bucket, Bucket Tooth Adapter, Super Long Front Bucket (0.45 m ³) ..	628	Cab Headlamp Wiring Harness	328
Bucket, Bucket Tooth Adapter, Super Long Front Bucket, 762 mm (30 in), 40.5 m ³ (53 yd ³)	630	Cab Headliner	402
Bucket, Cylinder	672	Cab Horn	360
Bucket, Ditching (60 in) (1.55 yd ³)	626	Cab Inside Right Cover	428
Bucket, Ditching, Super Long Front	632	Cab Isolators	408
Bucket, Excavator Bucket, Ditching Bucket, 1.5 m (60 in), 1.18 m ³ (1.55 yd ³)	626	Cab Lights, Front	326
Bucket, Excavator Bucket, Heavy-Duty Bucket, 1.06 m (42 in), 0.85 m ³ (1.11 yd ³)	622	Cab Mirror, Left	550
Bucket, Excavator Bucket, Heavy-Duty Bucket, 1.2 m (48 in), 1.0 m ³ (1.31 yd ³)	624	Cab Mounts	408
Bucket, Excavator Bucket, Heavy-Duty Bucket, 60.96 cm (24 in), 0.39 m ³ (0.51 yd ³)	616	Cab Sunroof	402
Bucket, Excavator Bucket, Heavy-Duty Bucket, 76.2 cm (30 in), 0.54 m ³ (0.71 yd ³)	618	Cab To Floor Plate Hardware	412
Bucket, Excavator Bucket, Heavy-Duty Bucket, 91.44 cm (36 in), 0.69 m ³ (0.91 yd ³)	620	Cab Vandal Protection (340457 -)	446
Bucket, Excavator Bucket, Slope Finishing Bucket	634	Cab Vandal Protection Kit (- 340456)	444
Bucket, Excavator Bucket, Super Long Front Bucket (0.45 m ³)	628	Cab Wiring Harness	358
Bucket, Excavator Bucket, Super Long Front Bucket, 762 mm (30 in), 40.5 m ³ (53 yd ³)	630	Cab Wiring Harness Mounting	360
Bucket, Excavator Bucket, Super Long Front Ditching Bucket	632	Cable, 0-60 Engine Control Unit (ECU)	150
Bucket, Heavy Duty (24 in) (0.51 yd ³)	616	Cable, 0-60 Engine Electrical Control Parts	246
Bucket, Heavy Duty (30 in) (0.71 yd ³)	618	Cable, Air Suspension Heated Seat Components	458
Bucket, Heavy Duty (36 in) (0.91 yd ³)	620	Cable, Air Suspension Seat	458
Bucket, Heavy Duty (42 in) (1.11 yd ³)	622	Cable, Battery (- 340883)	320
Bucket, Heavy Duty (48 in) (1.31 yd ³)	624	Cable, Battery Cable, Batteries, Support and Cables (- 340883)	320
Bucket, Slope Finishing	634	Cable, Battery Cable, Batteries, Support, and Cables (340884 -)	322
Bucket, Super Long Front	628	Cable, Cab Components, Door	392
Bulb, Boom Work Light, Halogen	330	Cable, Cab Components, Door Catch	394
Bulb, Front Cab Lights, Halogen	326	Cable, Door Catch Release	394
Bulb, Front Lights	324	Cable, Ground Cable, Cab Wiring Harness	358
Bumper, Cab Vandal Protection Kit (- 340456)	444	Cable, Ground, Cab Wiring Harness	358
Bumper, Engine Cover	532	Cable, Seat Adjustment Cable Kit, Air Suspension Heated Seat Components	458
Bumper, Falling Object Protection Structure (FOPS) Kit	442	Cable, Seat Adjustment Cable Kit, Mechanical Suspension Seat Components	452
Bumper, Mechanical Suspension Seat Components	452	Cam, Auxiliary Pilot Control Valve Components	666
Bushing, Air Suspension Seat	458	Cam, Pilot Control Valve Components	646
Bushing, Door Catch	394	Cam, Travel Pilot Control Valve Components	652
Bushing, Falling Object Protection Kit	442	Camera Harness, Machine Wiring (- 340456)	350
Bushing, Main Frame (- 340456)	382	Camera, Mounting Parts	562
Bushing, Track Chain Assembly, Long Carriage	52	Camera, Rear	562
Bushing, Track Chain Assembly, Standard	50	Camera, Rear Object Detection System	562
BUSHINGS, BOOM	668	Camera, Rear Object Detection System Kit	562
Bushings, Cab	398	Camshaft, 0-14 Engine Camshaft And Valves	96, 194
Bushings, Slope Finishing Bucket	634	Camshaft, Engine-0-14-4HK1XASA02A-YA00028489	96
		Camshaft, Engine-0-14-4HK1XASA12A-YA00046929	194
C		Cap, Fuel Tank	308
Cab	390	Cap, Rocker Arm Cover-0-10-4HK1XASA02A-YA00028489	84
Cab (- XXXXXX)	522	Cap, Rocker Arm Cover-0-10-4HK1XASA12A-YA00046929	182
Cab (XXXXXX -)	524	Capscrews, Control Valve	582
Cab Air Vent Cover	400	Carrier Roller	40
Cab Anchor Bolt	410	Case, 0-11 Engine Cylinder Head Support	86, 184
Cab Armrest	426	Case, Air Conditioner (A/C) and Heater Components	480
Cab Components, Brackets, Bushings, and Stoppers	398	Case, Air Suspension Seat Heater Switch and Wiring Harness (- XXXXXX)	460
Cab Components, Cab Glass	404	Case, Console Cover	424
Cab Components, Cab Light, Antenna, and Speakers	396	Case, Decals and Labels, 1	316
Cab Components, Door	392	Case, Engine Cylinder Head-0-11-4HK1XASA02A-YA00028489	86
Cab Components, Door Catch	394	Case, Engine Cylinder Head-0-11-4HK1XASA12A-YA00046929	184
Cab Components, Handrail and Guard Bars	400	Case, Fuel System Hoses	310
		Case, Gear Case, Swing Motor and Gear Case	822
		Case, Gear Case, Swing Motor Gear Case Components	826
		Case, Hydraulic Pump Components	568
		Case, Hydraulic Pump Regulator 1 Components	572
		Case, Hydraulic Pump Regulator 2 Components	574
		Case, MP3 Player Wiring Harness	564
		Case, Swing Motor Components	824
		Case, Timing Gear-0-20-4HK1XASA02A-YA00028489	102
		Case, Timing Gear-0-20-4HK1XASA12A-YA00046929	200
		Case, Travel Motion Alarm Switch	558
		Case, Travel Motion Alarm Switch and Wiring Harness	558
		Case, Travel Motor Brake Valve Components	66
		Catalyst, Diesel Oxidation-1-50-4HK1XASA02A-YA00028489	164
		Catalyst, Diesel Oxidation-1-50-4HK1XASA12A-YA00046929	258
		Catch, Door	394

Alphabetical Index - Continued

	Page		Page
Center Joint Components.....	816	Control Unit ECU, Air Heater Controller, Air Conditioner (A/C) and Heater.....	478
CENTER JOINT LINES TO RETURN LINES (- 340005).....	724	Control Unit ECU, Engine Controller, 0-60 Engine Electrical Control Parts.....	246
CENTER JOINT LINES TO RETURN LINES (340006 -).....	726	Control Unit ECU, Engine Controller, Engine Control Unit and Mounting Bracket.....	374
Central Control Unit, Engine Electrical Control Parts-0-60-4HK1XASA02A-YA00028489.....	150	Control Unit ECU, Multi-Func Controller Reman, ZXLink™ MTG Assembly.....	600
Central Control Unit, Engine Electrical Control Parts-0-60-4HK1XASA12A-YA00046929.....	246	Control Unit ECU, Multi-Functional Controller, Machine Guidance Inclinometer, Arm.....	844
Chain Adjuster, Track.....	44	Control Unit ECU, Multi-Functional Controller, Machine Guidance Inclinometer, Boom.....	846
Chain Drive Gear, Track.....	62	Control Unit ECU, Multi-Functional Controller, Machine Guidance Inclinometer, Bucket.....	848
CHAIN IDLER, TRACK (- 340516).....	46	Control Unit ECU, Multi-Functional Controller, Main Controller, Machine Guidance.....	840
Chain Idler, Track (340517 -).....	48	Control Unit ECU, Vehicle Controller, Main Controller (MCZ).....	378
Chain, Chain Sprocket, Travel Motor Gear Case Components.....	62	Control Unit ECU, Vehicle Controller, Main Controller, Machine Guidance.....	840
Chain, Track Assembly, Long Carriage.....	52	Control Unit, Engine.....	374
Chain, Track Assembly, Standard.....	50	Control Valve.....	580
Chain, Track Chain W/O Shoes, Track Chain Assembly, Long Carriage.....	52	Control Valve Body And Spools (5-Spool Side).....	588
Chain, Track Chain W/O Shoes, Track Chain Assembly, Standard.....	50	Control Valve Body and Spools, 4-Spool Side.....	584
Channel, Cab Components, Door.....	392	Control Valve Body and Spools, 5-Spool Side.....	588
Channel, Cab Door Window.....	392	Control Valve Capscrews.....	582
Channel, Pattern Changer Hoses (340457 -).....	706	Control Valve Covers (- 340040).....	516
Channel, Pilot Lines, Control Valve to Solenoid Valve (340505 -).....	756	Control Valve Covers (340041 -).....	518
Channel, Pilot Lines, Pilot Signal Manifold to Left Pilot Controller (- 340456).....	758	Control Valve End Caps, 4-Spool Side.....	586
Channel, Pilot Lines, Pilot Signal Manifold to Right Pilot Controller (- 340456).....	762	Control Valve End Caps, 5-Spool Side.....	590
Channel, Pilot Lines, Pilot Signal Manifold to Right Pilot Controller (340457 -).....	764	Control Valve Hardware and O-Rings.....	582
Check Valve, Hydraulic Coupler.....	638	Control Valve Lines To Boom.....	736
Circuit Box, Cab Wiring Harness.....	358	Control Valve Lines To Cooling Package.....	730
Circuit Box, Hydraulic Coupler Kit.....	636	Control Valve Lines to Hydraulic Pump.....	722
Clamp, Direct Hydraulic (Kits Built 28 June 2010 -).....	680	Control Valve Lines To Oil Tank.....	728
Clamp, Progressive Hydraulic (Kits Built 28 June 2010 -).....	682	Control Valve Lines To Rotary Manifold.....	744
Clutch, 0-65 Starter Components.....	156, 250	CONTROL VALVE LINES TO SWING DEVICE (- 340005).....	724
Clutch, Air Conditioner (A/C) Compressor Components.....	490	CONTROL VALVE LINES TO SWING DEVICE (340006 -).....	726
Clutch, Compressor, Air Conditioning.....	490	CONTROL VALVE LINES TO SWING MOTOR.....	738
Clutch, Starter-0-65-4HK1XASA02A-YA00028489.....	156	Control Valve Mounting Brackets.....	578
Clutch, Starter-0-65-4HK1XASA12A-YA00046929.....	250	Control Valve O-Rings.....	582
Cold Water Hose, Heater Hoses.....	498	Control Valve Side, Pilot Signal Manifold.....	692
Collar, Locking Collar, 0-14 Engine Camshaft And Valves.....	96, 194	Control Valve Spools (4-Spool Side).....	584
Collar, Locking Collar, 0-27 Engine Exhaust Manifold.....	108, 206	Control Valve To Boom Cylinder Lines.....	732
Collar, Locking Collar, Cooling Package.....	274	Control Valve, Single Pedal Propel.....	658
Combination Line Arm Kit.....	678	Control Valve, Travel.....	650
Compartment Panels, Cooling Package.....	526	Control Valve, Two Way Auxiliary Foot Pedal.....	662
Compartment Panels, Hydraulic Pump.....	528	Controller, Air Heater Controller, Air Conditioner (A/C) and Heater.....	478
Compartment Panels, Storage (- 340456).....	504	Controller, Engine Controller, 0-60 Engine Electrical Control Parts.....	246
Components, Hydraulic Thumb Kit Cylinder (Kits Built 28 June 2010 -).....	808	Controller, Engine Controller, Engine Control Unit and Mounting Bracket.....	374
Components, Pilot Control Valve.....	646	Controller, Machine (BCZ).....	358
Compressor Belt, Air Conditioner (- 340003).....	484	Controller, Main (MCZ).....	378
Compressor Kit, Air Suspension Seat.....	458	Controller, Monitor (DSZ).....	376
Compressor Valve Kit, Air Suspension Seat.....	458	Controller, Multi-Func Controller Reman, ZXLink™ MTG Assembly.....	600
Compressor Valve, Air Suspension Seat.....	458	Controller, Multi-Functional Controller, Machine Guidance Inclinometer, Arm.....	844
Compressor, Air Conditioner.....	488	Controller, Multi-Functional Controller, Machine Guidance Inclinometer, Boom.....	846
Compressor, Air Conditioner (A/C) Compressor Components.....	490	Controller, Multi-Functional Controller, Machine Guidance Inclinometer, Bucket.....	848
Compressor, Air Conditioner, Components.....	490	Controller, Multi-Functional Controller, Main Controller, Machine Guidance.....	840
Compressor, Air Conditioning Compressor, Condenser and Sensor.....	488	Controller, Vehicle Controller, Main Controller (MCZ).....	378
Compressor, Air Suspension Heated Seat Components.....	458	Controller, Vehicle Controller, Main Controller, Machine Guidance.....	840
Compressor, Air Suspension Seat.....	458	Controller, ZXLink™ Modular Telematics Gateway.....	598
Compressor, Compressor Kit, Air Suspension Heated Seat Components.....	458	Controller, ZXLink™ Satellite Module.....	598
Compressor, Compressor Kit, Premium Seat Components (340571 -).....	466	Controls Solenoid Valve Kit, 1 Way.....	710
Compressor, Compressor Valve Kit, Air Suspension Heated Seat Components.....	458	Controls, Solenoid Valve Kit, 2 Way.....	712
Condenser Components, Air Conditioner.....	492	Converter, 1-50 Diesel Oxidation Catalyst (DOC) and Muffler.....	258
Condenser, Air Conditioner.....	488	Converter, 1-50 Exhaust System Bracket.....	264
Condenser, Vapor Condenser, Air Conditioner (A/C) Condenser Components.....	492	Converter, 1-50 Selective Catalytic Reduction (SCR).....	260
Condenser, Vapor Condenser, Air Conditioning Compressor, Condenser and Sensor.....	488	Converter, Aftertreatment (- 340098).....	292
Conduit, Machine Guidance Inclinometer, Arm.....	844	Converter, Aftertreatment (340099 -).....	294
Conduit, Machine Guidance Inclinometer, Boom.....	846	Converter, Premium Seat (340571 -).....	464
Connector Assembly, Electrical, Cab Wiring Harness.....	358	Converter, Premium Seat Components (340571 -).....	466
Connector Terminal, Windshield.....	406	Cooler, Engine Oil-0-50-4HK1XASA02A-YA00028489.....	142
Console Cover.....	424	Cooler, Engine Oil-0-50-4HK1XASA12A-YA00046929.....	238
Console, Armrest.....	426	Cooler, Fuel Cooler, Fuel System Hoses.....	310
Console, Cab.....	426	Cooler, Hydraulic Oil, Cooling Package.....	274
Console, Cab Console and Armrest.....	426	Cooler, Oil Cooler, 0-50 Engine Oil Cooler.....	142, 238
Container Tank, Hydraulic Reservoir, Hydraulic Oil Reservoir.....	594	Cooler, Oil Cooler, Cooling Package.....	274
Container Tank, Reservoir, Window Washer Reservoir.....	432	Cooling Fan-0-33-4HK1XASA02A-YA00028489.....	120
Control Lever, Pilot, Wiring Harnesses And Relays.....	362	Cooling Fan-0-33-4HK1XASA12A-YA00046929.....	218

Alphabetical Index - Continued

Page	Page		
Cooling Package.....	274	Cover, Travel Motor.....	76
Cooling Package and Hydraulic Pump Compartment Doors (- XXXXXX).....	522	Cover, Undercarriage Frame.....	34
Cooling Package And Hydraulic Pump Compartment Doors (- XXXXXX).....	522	Cover, Vandal Protection (- 340456).....	444
Cooling Package and Hydraulic Pump Compartment Doors (XXXXXX -).....	524	Cover, Windshield Wiper Motor.....	406
Cooling Package And Hydraulic Pump Compartment Doors (XXXXXX -).....	524	Cover, ZXLink™ Ultimate Controller (MTG).....	600
Cooling Package Compartment Door (- XXXXXX).....	522	Covers, Bottom (- 340456).....	534
Cooling Package Compartment Door (XXXXXX -).....	524	Covers, Cab Headliner.....	402
Cooling Package Compartment Panels.....	526	Covers, Cab Sunroof.....	402
Cooling Package Hoses.....	276	Covers, Cab Vandal Protection Kit (- 340456).....	444
Cooling Package Lines To Control Valve.....	730	Covers, Control Valve (- 340040).....	516
Cooling Package Top Covers.....	520	Covers, Cooling Package Compartment.....	526
Cooling Package, Fuel System Hoses.....	310	Covers, Door Catch.....	394
Cooling Plumbing, Turbocharger-0-36-4HK1XASA02A-YA00028489.....	130	Covers, Non-Slip (- 340021).....	540
Cooling Plumbing, Turbocharger-0-36-4HK1XASA12A-YA00046929.....	228	Crankshaft, 0-15 Crankshaft, Pistons, and Flywheel.....	100, 198
Core, Air Conditioner Condenser.....	492	Crankshaft, Engine-0-15-4HK1XASA02A-YA00028489.....	100
Core, Engine Oil Cooler-0-50-4HK1XASA02A-YA00028489.....	142	Crankshaft, Engine-0-15-4HK1XASA12A-YA00046929.....	198
Core, Engine Oil Cooler-0-50-4HK1XASA12A-YA00046929.....	238	Cushion, Operator Protection Guard (OPG) (340457 -).....	440
Counterweight.....	386	Cutting Edge, Ditching Bucket (60 in) (1.55 yd ³).....	626
Counterweight Mirror (- XXXXXX).....	548	Cylinder Block, Engine-0-12-4HK1XASA02A-YA00028489.....	90, 92
Counterweight, Counterweight.....	386	Cylinder Block, Engine-0-12-4HK1XASA12A-YA00046929.....	188, 190
Coupler Kit, Hydraulic.....	636	Cylinder Components, Hydraulic Thumb Kit (Kits Built 28 June 2010 -).....	808
Coupler, Hydraulic, Components.....	638	Cylinder Components, Left Boom.....	800
Coupling, Arm High Flow Auxiliary Lines, 2.91 m (9.55 ft) (- 340456).....	788	Cylinder Components, Right Boom.....	802
Coupling, Arm High Flow Auxiliary Lines, Short.....	786	Cylinder Head Gasket Kit-0-05-4HK1XASA02A-YA00028489.....	82
Coupling, Fuel Injection System-0-40-4HK1XASA02A-YA00028489.....	132	Cylinder Head Gasket Kit-0-05-4HK1XASA12A-YA00046929.....	180
Coupling, Fuel Injection System-0-40-4HK1XASA12A-YA00046929.....	230	Cylinder Head Gasket, Engine-0-27-4HK1XASA02A-YA00028489.....	108
Coupling, Hydraulic Pump.....	568	Cylinder Head Gasket, Engine-0-27-4HK1XASA12A-YA00046929.....	206
Coupling, Hydraulic Pump Components.....	568	Cylinder Head, Engine-0-11-4HK1XASA02A-YA00028489.....	88
Cover Panel, Engine.....	530	Cylinder Head, Engine-0-11-4HK1XASA12A-YA00046929.....	186
Cover, Alternator-0-66-4HK1XASA02A-YA00028489.....	158	Cylinder Liner, Engine-0-12-4HK1XASA02A-YA00028489.....	90
Cover, Alternator-0-66-4HK1XASA12A-YA00046929.....	252	Cylinder Liner, Engine-0-12-4HK1XASA12A-YA00046929.....	188
Cover, Battery (- 340883).....	320	Cylinder Seal Kit, Direct Hydraulic Thumb (Kits Built 28 June 2010 -).....	680
Cover, Battery Relay (- 340883).....	320	Cylinder Seal Kit, Progressive Hydraulic Thumb (Kits Built 28 June 2010 -).....	682
Cover, Cab Air Vent.....	400	Cylinder, Arm, 2.91 m (9.55 ft).....	672
Cover, Cab Door.....	392	Cylinder, Arm, 2.91 m (9.55 ft), Machine Guidance.....	830
Cover, Cab Floor.....	422	Cylinder, Bucket.....	670, 672
Cover, Cab Rear Post.....	402	Cylinder, Cab Components, Sunroof, Shade, and Headliner.....	402
Cover, Cab Rear Roof.....	402	Cylinder, Cab Sunroof.....	402
Cover, Console.....	424	Cylinder, Cylinder Block, 0-12 Engine Cylinder Block.....	90, 188
Cover, Counterweight.....	386	Cylinder, Cylinder Block, 0-12 Engine Cylinder Block and Support.....	92, 190
Cover, Door Catch.....	394	Cylinder, Cylinder Head, 0-11 Engine Cylinder Head.....	88, 186
Cover, Engine.....	532	Cylinder, Cylinder Head, 0-11 Engine Cylinder Head Support.....	86, 184
Cover, Engine Air Intake Manifold-0-25-4HK1XASA02A-YA00028489.....	106	Cylinder, Cylinder Head, Hydraulic Pump Rotating Group.....	570
Cover, Engine Air Intake Manifold-0-25-4HK1XASA12A-YA00046929.....	204	Cylinder, Cylinder Kit, 0-12 Engine Cylinder Block.....	90, 188
Cover, Engine Compartment.....	530	Cylinder, Cylinder Liner, 0-12 Engine Cylinder Block.....	90, 188
Cover, Engine Control Unit.....	374	Cylinder, Direct Hydraulic Thumb (Kits Built 28 June 2010 -).....	680
Cover, Falling Object Protection Kit.....	442	Cylinder, Engine Cylinder Head Gasket, 0-11 Engine Cylinder Head.....	88, 186
Cover, Floor Parts.....	422	Cylinder, Gas Operated Cylinder, Operator Protection Guard (OPG) (340457 -).....	440
Cover, Flywheel Housing-0-20-4HK1XASA02A-YA00028489.....	102	Cylinder, Hyd Cylinder Barrel Reman, Left Boom Cylinder Components.....	800
Cover, Flywheel Housing-0-20-4HK1XASA12A-YA00046929.....	200	Cylinder, Hyd Cylinder Barrel Reman, Right Boom Cylinder Components.....	802
Cover, Fuel Tank.....	538	Cylinder, Hyd Cylinder Rod Reman, Bucket Cylinder Components.....	806
Cover, Fuse Box One.....	358	Cylinder, Hydr. Cylinder Rod Guide, Arm Cylinder Components.....	804
Cover, Fuse Box Two.....	358	Cylinder, Hydr. Cylinder Rod Guide, Bucket Cylinder Components.....	806
Cover, Fuse Box, Cab Wiring Harness.....	358	Cylinder, Hydr. Cylinder Rod Guide, Hydraulic Thumb Kit Cylinder Components (Kits Built 28 June 2010 -).....	808
Cover, Hydraulic Filter Restriction Indicator.....	596	Cylinder, Hydr. Cylinder Rod Guide, Left Boom Cylinder Components.....	800
Cover, Hydraulic Oil Filter.....	594	Cylinder, Hydr. Cylinder Rod Guide, Right Boom Cylinder Components.....	802
Cover, Hydraulic Oil Reservoir.....	594	Cylinder, Hydraulic Coupler.....	638
Cover, Hydraulic Pump.....	528	Cylinder, Hydraulic Cylinder Barrel, Arm Cylinder Components.....	804
Cover, Main Frame (- 340456).....	382	Cylinder, Hydraulic Cylinder Barrel, Bucket Cylinder Components.....	806
Cover, Oil Drain (- 340456).....	534	Cylinder, Hydraulic Cylinder Barrel, Hydraulic Thumb Kit Cylinder Components (Kits Built 28 June 2010 -).....	808
Cover, Propel Motor.....	76	Cylinder, Hydraulic Cylinder Barrel, Left Boom Cylinder Components.....	800
Cover, Radiator Top.....	520	Cylinder, Hydraulic Cylinder Barrel, Right Boom Cylinder Components.....	802
Cover, Rocker Arm-0-10-4HK1XASA02A-YA00028489.....	84	Cylinder, Hydraulic Cylinder Kit, Arm Cylinder Components.....	804
Cover, Rocker Arm-0-10-4HK1XASA12A-YA00046929.....	182	Cylinder, Hydraulic Cylinder Kit, Bucket Cylinder Components.....	806
Cover, Storage Compartment (- 340456).....	504	Cylinder, Hydraulic Cylinder Port, Arm Cylinder Components.....	804
Cover, Storage Compartment Floor (- 340456).....	512	Cylinder, Hydraulic Cylinder Reman, Arm Cylinder Components.....	804
Cover, Storage Compartment Top (- 340456).....	508	Cylinder, Hydraulic Cylinder Reman, Bucket Cylinder Components.....	806
Cover, Storage Compartment Top (340457 -).....	510	Cylinder, Hydraulic Cylinder Reman, Left Boom Cylinder Components.....	800
Cover, Timing Gear Case-0-20-4HK1XASA02A-YA00028489.....	102		
Cover, Timing Gear Case-0-20-4HK1XASA12A-YA00046929.....	200		
Cover, Top Radiator Compartment.....	526		
COVER, TRACK FRAME BOTTOM (- 340456).....	56		

Alphabetical Index - Continued

Page	Page
Cylinder, Hydraulic Cylinder Reman, Right Boom Cylinder Components.....	802
Cylinder, Hydraulic Cylinder Rod, Arm Cylinder Components.....	804
Cylinder, Hydraulic Cylinder Rod, Bucket Cylinder Components.....	806
Cylinder, Hydraulic Cylinder Rod, Hydraulic Thumb Kit Cylinder Components (Kits Built 28 June 2010 -).....	808
Cylinder, Hydraulic Cylinder, Arm Cylinder Components.....	804
Cylinder, Hydraulic Cylinder, Bucket Cylinder Components.....	806
Cylinder, Hydraulic Cylinder, Direct Hydraulic Thumb Kit (Kits Built 28 June 2010-).....	680
Cylinder, Hydraulic Cylinder, Hydraulic Coupler Components.....	638
Cylinder, Hydraulic Cylinder, Hydraulic Coupler Kit, Variable Pin Grabber.....	640
Cylinder, Hydraulic Cylinder, Hydraulic Thumb Kit Cylinder Components (Kits Built 28 June 2010 -).....	808
Cylinder, Hydraulic Cylinder, Left Boom Cylinder Components.....	800
Cylinder, Hydraulic Cylinder, Progressive Hydraulic Thumb Kit (Kits Built 28 June 2010 -).....	682
Cylinder, Hydraulic Cylinder, Right Boom Cylinder Components.....	802
Cylinder, Hydraulic Cylinder, Short Arm 2.42 m (7.94 ft).....	670
Cylinder, Hydraulic Pump Regulator 2 Components.....	574
Cylinder, Left Boom.....	800
Cylinder, Progressive Hydraulic Thumb (Kits Built 28 June 2010 -).....	682
Cylinder, Right Boom.....	802
Cylinder, Track Chain Adjuster.....	44
D	
Damper, Crankshaft-0-15-4HK1XASA02A-YA00028489.....	100
Damper, Crankshaft-0-15-4HK1XASA12A-YA00046929.....	198
Damper, Torsional Damper, Air Suspension Heated Seat Components.....	458
Damper, Torsional Damper, Mechanical Suspension Seat Components.....	452
Damper, Torsional Damper, Travel Pilot Control Valve Components.....	652
Data Converter.....	380
Data Converter Wiring Harness.....	366
Decal, Electric Solenoid Valve Kit, 1 Way.....	710
Decal, Label Kit, Hydraulic Coupler Kit.....	636
Decal, Label, Air Cleaner.....	282
Decal, Label, Decals and Labels, 1.....	316
Decal, Label, Hydraulic Control Kit, Variable Pin Grabber.....	642
Decal, Label, Labels and Decals (2).....	318
Decal, Label, Single Pedal Propel (340457 -).....	660
Decal, Label, Single Pedal Propel Kit.....	658
Decal, Oil Level.....	594
Decal, Single Pedal Propel Kit.....	658
Decals and Labels (2).....	318
Decals and Labels, 1.....	316
Decals, Hydraulic Coupler Kit.....	636
DEF Line, Diesel Exhaust Fluid.....	302
DEF Tank Header Assembly.....	298
Delivery Lines.....	722
Dial, Engine Speed, Cab Wiring Harness.....	358
Diesel Exhaust Fluid (DEF) Heating Valve.....	302
Diesel Exhaust Fluid (DEF) Lines.....	302
Diesel Exhaust Fluid (DEF) Supply Module.....	302
Diesel Exhaust Fluid (DEF) Tank.....	298
Diesel Exhaust Fluid (DEF) Tank Parts.....	300
Diesel Exhaust Fluid Dosing Injector, Aftertreatment (- 340098).....	292
Diesel Exhaust Fluid Dosing Injector-1-46-4HK1XASA02A-YA00028489.....	162
Diesel Exhaust Fluid Dosing Injector-1-46-4HK1XASA12A-YA00046929.....	256
Diesel Exhaust Fluid Heating Valve-1-46-4HK1XASA02A-YA00028489.....	162
Diesel Exhaust Fluid Heating Valve-1-46-4HK1XASA12A-YA00046929.....	256
Diesel Exhaust Fluid Hoses.....	302
Diesel Exhaust Fluid Supply Module-1-46-4HK1XASA02A-YA00028489.....	162
Diesel Exhaust Fluid Supply Module-1-46-4HK1XASA12A-YA00046929.....	256
Diesel Oxidation Catalyst-1-50-4HK1XASA02A-YA00028489..	164, 166
Diesel Oxidation Catalyst-1-50-4HK1XASA12A-YA00046929..	258, 260
Diode, Cab Wiring Harness.....	358
Diode, Electric Solenoid Valve Kit, 2 Way.....	712
Diode, Pilot Shutoff Lever.....	654
Dipperstick, Short 2.42 m.....	670
Dipperstick, Standard 2.91 m.....	672
Dipstick, Dipstick Tube, Hydraulic Pump Components.....	568
Dipstick, Hydraulic Pump.....	568
Dipstick, Swing Motor Oil.....	822
Direct Hydraulic Thumb Kit (Kits Built 28 June 2010-).....	680
Disc, Disk, Hydraulic Pump Rotating Group.....	570
Disc, Drive Disk, Swing Motor Components.....	824
Disk, Drive Disk, Swing Motor Components.....	824
Disk, Hydraulic Pump Rotating Group.....	570
Display, Digital Display, Machine Guidance Monitor and Wiring Harness.....	838
Ditching Bucket, 1.5 m (60 in), 1.18 m ³ (1.55 yd ³).....	626
Ditching Bucket, Super Long Front.....	632
Dome Light.....	396
Dome Light Wiring Harness.....	396
Door Catch.....	394
Door Components, Cab.....	392
Door Switch.....	396
Door Switch Wiring Harness.....	396
Door, Air Conditioner (A/C) and Heater Components.....	480
Door, Cab.....	390
Door, Cab Components, Cab Glass.....	404
Door, Cab Components, Door.....	392
Door, Cooling Package and Hydraulic Pump Compartment Doors (- XXXXXX).....	522
Door, Cooling Package and Hydraulic Pump Compartment Doors (XXXXXX -).....	524
Door, Cooling Package Compartment (- XXXXXX).....	522
Door, Cooling Package Compartment (XXXXXX -).....	524
Door, Hydraulic Pump Compartment (- XXXXXX).....	522
Door, Hydraulic Pump Compartment (XXXXXX -).....	524
Door, Hydraulic Pump Compartment Panels.....	528
Door, Oil Tank.....	528
Door, Storage Compartment (- 340456).....	504
Door, Storage Compartment Door and Panels (- 340456).....	504
Door, Storage Compartment Door and Panels (340457 -).....	506
Door, Tropical.....	544
Door, Tropical Door.....	544
Dosing Injector, Diesel Exhaust Fluid, Aftertreatment (- 340098).....	292
Dosing Injector, Diesel Exhaust Fluid-1-46-4HK1XASA02A-YA00028489.....	162
Dosing Injector, Diesel Exhaust Fluid-1-46-4HK1XASA12A-YA00046929.....	256
Drain Lines (- 340005).....	724
Drain Lines (340006 -).....	726
DRAIN LINES (CENTER JOINT, SWING DEVICE, CONTROL VALVE) (- 340005).....	724
DRAIN LINES (CENTER JOINT, SWING DEVICE, CONTROL VALVE) (340006 -).....	726
Drain Plug, Auxiliary Pilot Control Valve.....	666
Drain Valve, Air Cleaner.....	282
Drain Valve, Fuel Tank.....	308, 310
Drive Cover, Travel Motor.....	76
Drive Gear, Travel Motor.....	62
Drive, Drive Disk, Swing Motor Components.....	824
Driveshaft, Universal Driveshaft, Travel Motor Components.....	64
Drum, Travel Motor Gear Case Components.....	62
Dry Charged Battery (- 340883).....	320
Duct, Air.....	482
Duct, Air Cleaner.....	284
Dust Unloader Valve, Air Cleaner.....	282
E	
Edge, Cutting, Ditching Bucket (60 in) (1.55 yd ³).....	626
EGR to Water Pump, Heat Exchangers-0-36-4HK1XASA02A-YA00028489.....	128
EGR to Water Pump, Heat Exchangers-0-36-4HK1XASA12A-YA00046929.....	226
Electric Connector Terminal, Windshield.....	406
Electric Solenoid Valve Kit, 1 Way.....	710
Electric Solenoid Valve Kit, 2 Way.....	712
Electrical Box, Hydraulic Coupler Kit.....	636
Electrical Connector Assembly, Cab Wiring Harness.....	358
Electronic Control Unit.....	598
Element, Hydraulic Oil Filter.....	740
Element, Oil Filter, Engine Oil Cooler-0-50-4HK1XASA02A-YA00028489.....	142
Element, Oil Filter, Engine Oil Cooler-0-50-4HK1XASA12A-YA00046929.....	238
Enable Switch, Left Pilot Control Handle.....	656
End Caps, Control Valve (4-Spool Side).....	586
End Caps, Control Valve (5-Spool Side).....	590
Engage Starter Switch-0-65-4HK1XASA02A-YA00028489.....	156
Engage Starter Switch-0-65-4HK1XASA12A-YA00046929.....	250

Alphabetical Index - Continued

	Page		Page
Engine	78, 176	Fan Shroud Mounting-1-10-4HK1XASA02A-YA00028489	160
Engine Block Coolant Heater (340457 -)	272	Fan Shroud Mounting-1-10-4HK1XASA12A-YA00046929	254
Engine Compartment Panels	530	Fan, 0-33 Fan and Fan Belt	120, 218
Engine Control Unit	374	Fan, Blower Kit, Premium Seat Components (340571 -)	466
Engine Control Unit and Mounting Bracket	374	Fan, Blower Motor, Premium Seat Components (340571 -)	466
Engine Control Unit Mounting Bracket	374	Fan, Cooling-0-33-4HK1XASA02A-YA00028489	120
Engine Control Unit-0-60-4HK1XASA12A-YA00046929	246	Fan, Cooling-0-33-4HK1XASA12A-YA00046929	218
Engine Cover	532	Filler Neck, Diesel Exhaust Fluid Tank	298
Engine Cylinder Head Gasket-0-27-4HK1XASA02A-YA00028489	108	Filter Element Valve, Hydraulic Oil Filter	594
Engine Cylinder Head Gasket-0-27-4HK1XASA12A-YA00046929	206	Filter Element, Air Cleaner	282
Engine Dosing Control Unit-0-60-4HK1XASA12A-YA00046929	246	Filter Element, Final Fuel Filter-0-41-4HK1XASA02A-YA00028489	138
Engine Harness, Machine Wiring (- 340456)	350	Filter Element, Fuel Filter, Final-0-41-4HK1XASA02A-YA00028489	138
Engine Hood	532	Filter Restriction Indicator Kit	596
Engine Mounting	304	Filter, 1-50 Diesel Oxidation Catalyst (DOC) and Aftertreatment	164
Engine Oil Filter	314	Filter, 1-50 Diesel Oxidation Catalyst (DOC) and Muffler	258
Engine Oil Filter and Lines	314	Filter, Air Conditioner (A/C) and Heater Duct	482
Engine Oil Filter Hoses	314	Filter, Air Filter, Air Conditioner (A/C) and Heater Components	480
Engine Oil Pump-0-51-4HK1XASA02A-YA00028489	144	Filter, Diesel Exhaust Fluid (DEF) Tank	298
Engine Oil Pump-0-51-4HK1XASA12A-YA00046929	240	Filter, Engine Oil	314
Engine Oil Strainer-0-51-4HK1XASA02A-YA00028489	144	Filter, Engine Oil Cooler-0-50-4HK1XASA02A-YA00028489	142
Engine Oil Strainer-0-51-4HK1XASA12A-YA00046929	240	Filter, Engine Oil Cooler-0-50-4HK1XASA12A-YA00046929	238
Engine Speed Dial, Cab Wiring Harness	358	Filter, Exhaust Pipe and Silencer-1-50-4HK1XASA02A-YA00028489	164
Engine Stop Switch	372	Filter, Exhaust Pipe and Silencer-1-50-4HK1XASA12A-YA00046929	258
Engine Tube to Intercooler	278	Filter, Filter Element, 0-41 Final Fuel Filter	138
Engine Wiring Harness-8-10-4HK1XASA02A-YA00028489	170	Filter, Filter Element, 0-50 Engine Oil Cooler	142, 238
Engine Wiring Harness-8-10-4HK1XASA12A-YA00046929	266	Filter, Filter Element, Air Cleaner	282
Engine, Diesel Engine, Engine	78, 176	Filter, Filter Element, Engine Oil Filter and Lines	314
Engine, Engine Controller, 0-60 Engine Electrical Control Parts	246	Filter, Filter Element, Fuel System Hoses	310
Engine, Engine Controller, Engine Control Unit and Mounting Bracket	374	Filter, Filter Element, Hydraulic Oil Reservoir	594
Engine, Engine Cylinder Head Gasket, 0-11 Engine Cylinder Head	88, 186	Filter, Filter Element, Pilot Oil Filter Components	742
Esco Ultralok™ Teeth, Heavy-Duty Bucket, 106.7 cm (42 in), 0.87 m³ (1.14 yd³)	612	Filter, Filter Kit, 1-46 Diesel Exhaust Fluid (DEF) Supply Module and Dosing Injector	162, 256
Esco Ultralok™ Teeth, Heavy-Duty Bucket, 121.9 cm (48 in), 1.02 m³ (1.34 yd³)	614	Filter, Fresh Air	482
Esco Ultralok™ Teeth, Heavy-Duty Bucket, 91.4 cm (36 in), 0.72 m³ (0.94 yd³)	610	Filter, Fuel Filter, 0-41 Final Fuel Filter	138
Evaporator, Air Conditioner (A/C) and Heater Components	480	Filter, Fuel Filter, Fuel System Hoses	310
Exhaust Filter Parked Cleaning Switch	358	Filter, Fuel System Hoses	310
Exhaust Filter Parked Cleaning Switch Wiring Harness	358	Filter, Hydraulic Oil Reservoir	594
Exhaust Fluid Lines, Diesel	302	Filter, Hydraulic Oil Tank	594
Exhaust Gas Recirculation to Water Pump, Heat Exchangers-0-36-4HK1XASA02A-YA00028489	128	Filter, Oil Filter, 0-50 Engine Oil Cooler	142, 238
Exhaust Gas Recirculation to Water Pump, Heat Exchangers-0-36-4HK1XASA12A-YA00046929	226	Filter, Oil Filter, Engine Oil Filter and Lines	314
Exhaust Manifold, Engine-0-27-4HK1XASA02A-YA00028489	108	Filter, Oil, Pilot	740
Exhaust Manifold, Engine-0-27-4HK1XASA12A-YA00046929	206	Filter, Pilot Lines, Filter and Bypass Valve	740
Exhaust Pipe	532	Filter, Pilot Oil Filter Components	742
Exhaust Pipe Silencer, Catalytic Muffler, 1-50 Diesel Oxidation Catalyst (DOC) and Aftertreatment	164	Filter, Pilot Oil, Components	742
Exhaust Pipe Silencer, Catalytic Muffler, 1-50 Exhaust System Bracket and Sensors	168	Filter, Pilot Shutoff Solenoid Valve Components	698
Exhaust Pipe Silencer, Catalytic Muffler, 1-50 Selective Catalytic Reduction (SCR)	166, 260	Final Drive Cover, Travel Motor	76
Exhaust Pipe Silencer, Catalytic Muffler, Aftertreatment (- 340098)	292	Fittings, Pilot Signal Manifold (Control Valve Side)	692
Exhaust Pipe Silencer, Muffler, 1-50 Diesel Oxidation Catalyst (DOC) and Aftertreatment	164	Fittings, Pilot Signal Manifold (Pilot Controller Side)	690
Exhaust Pipe Silencer, Muffler, 1-50 Diesel Oxidation Catalyst (DOC) and Muffler	258	Flex Coupling, Hydraulic Pump	568
Exhaust Pipe Silencer, Muffler, 1-50 Selective Catalytic Reduction (SCR)	166, 260	Flex Power Controller (FPC), Machine Guidance	842
Exhaust Pipe, Aftertreatment (- 340098)	292	Float, Fuel Tank	308
Exhaust Temperature Sensor (CSF)-1-46-4HK1XASA12A-YA00046929	256	Floodlamp Lamp, Bulb, Boom Work Light, Halogen	330
Exhaust Temperature Sensor (DOC)-1-46-4HK1XASA02A-YA00028489	162	Floodlamp Lamp, Bulb, Front Cab Lights, Halogen	326
Exhaust Temperature Sensor (DOC)-1-46-4HK1XASA12A-YA00046929	256	Floodlamp Lamp, Bulb, Front Lights	324
Exhaust Temperature Sensor, Catalyzed Soot Filter, Aftertreatment (- 340098)	292	Floor Cover, Storage Compartment (- 340456)	512
Exhaust Temperature Sensor, Diesel Oxidation Cataly, Aftertreatment (- 340098)	292	Floor Mat	416
Exhaust Valve, Engine-0-14-4HK1XASA02A-YA00028489	96	Floor Mat, Auxiliary Hydraulics	418
Exhaust Valve, Engine-0-14-4HK1XASA12A-YA00046929	194	Floor Plate To Cab Hardware	412
Extension, Extension Spring, Hydraulic Coupler Components	638	Flow Control Hydraulic Valve, Windshield Washer	396
		Fluid Lines, Diesel Exhaust	302
		Flywheel, 0-15 Crankshaft, Pistons, and Flywheel	100, 198
		Flywheel, Crankshaft-0-15-4HK1XASA02A-YA00028489	100
		Flywheel, Crankshaft-0-15-4HK1XASA12A-YA00046929	198
		Foot Control Solenoid Valve Kit, 1 Way	710
		Foot Control Solenoid Valve Kit, 2 Way	712
		Foot Pedal Switch, Electric solenoid Valve Kit, 1 Way	710
		Foot Pedal Wiring Harness, Electric solenoid Valve Kit, 1 Way	710
		Foot Pedal, Two Way Auxiliary	662
		Footrest, Travel Pilot Control Pedals	648
		FOPS	442
		FRAME BOTTOM COVER, TRACK (- 340456)	56
		Frame Counterweight	386
		Frame Steps, Track, Bolt On	38
		Frame, Air Suspension Heated Seat Components	458
		Frame, Air Suspension Seat	458
		Frame, Boom Work Light, Halogen	330
		Frame, Cab Components, Door	392
		Frame, Cab Components, Windshield	406
		Frame, Cab Door Window	392
		Frame, Cooling Package	274
F			
Falling Object Protection Structure (FOPS) Kit	442		
Fan Guide Brackets, Radiator-1-10-4HK1XASA02A-YA00028489	160		
Fan Guide Brackets, Radiator-1-10-4HK1XASA12A-YA00046929	254		

Alphabetical Index - Continued

Page	Page
Frame, Diesel Exhaust Fluid (DEF) Tank	298
Frame, Diesel Exhaust Fluid Tank	298
Frame, Main (- 340456)	382
FRAME, MAIN, BOOM FOOT PIN	388
Frame, Mechanical Suspension Seat Components	452
Frame, Premium Seat Components (340571 -)	466
Frame, Seat Stand	470
Frame, Track	34
Frame, Undercarriage	34, 36
Frame, Windshield	406
Fresh Air Filter	482
Front Attach Pressure Sensor	748
Front Cab Lights Wiring Harness	326
Front Cab Lights, Halogen	326
Front Cab Lights, LED (340457 - 340885)	334
Front Cab Lights, LED (340886 -)	336
Front Lights	324
Front Lights Wiring Harness	324
Front Lines	736
Front Panel, Cooling Package Compartment (- XXXXXX)	522
Front Panel, Cooling Package Compartment (XXXXXX -)	524
Front Panel, Hydraulic Pump Compartment (- XXXXXX)	522
Front Panel, Hydraulic Pump Compartment (XXXXXX -)	524
Front Window Guard, Front (- 340456)	438
Fuel Cooler, Fuel System Hoses	310
Fuel Feed Line, Fuel Injection System-0-40-4HK1XASA02A-YA00028489	136
Fuel Feed Line, Fuel Injection System-0-40-4HK1XASA12A-YA00046929	234
Fuel Filter Valve-0-41-4HK1XASA02A-YA00028489	138
Fuel Filter, Final-0-41-4HK1XASA02A-YA00028489	138
Fuel Rail, Fuel Injection Lines-0-40-4HK1XASA02A-YA00028489	134
Fuel Rail, Fuel Injection Lines-0-40-4HK1XASA12A-YA00046929	232
Fuel System Hoses	310
Fuel Tank	308
Fuel Tank Cap	308
Fuel Tank Cover, Non-Slip	538
Fuel Tank Drain Valve	308, 310
Fuel Tank Float	308
Fuel Tank Level Sending Unit	308
Fuel Tank Mounting	306
Fuel Tank Strainer	308
Fuel Temperature Sensor, Fuel Injection Pump-0-40-4HK1XASA02A-YA00028489	136
Fuel Temperature Sensor, Fuel Injection Pump-0-40-4HK1XASA12A-YA00046929	234
Fuse Box One Cover	358
Fuse Box Two Cover	358
Fuse Box, Cab Wiring Harness	358
Fuse, Cab Wiring Harness	358
Fuse, Fuse Box, Cab Wiring Harness	358
G	
Gasket Kit, Cylinder Head-0-05-4HK1XASA02A-YA00028489	82
Gasket Kit, Cylinder Head-0-05-4HK1XASA12A-YA00046929	180
Gasket Kit, Engine Rebuild-0-05-4HK1XASA02A-YA00028489	82
Gasket Kit, Engine Rebuild-0-05-4HK1XASA12A-YA00046929	180
Gasket Kit, Engine-0-05-4HK1XASA02A-YA00028489	80
Gasket Kit, Engine-0-05-4HK1XASA12A-YA00046929	178
Gasket Set, Engine Overhaul-0-05-4HK1XASA02A-YA00028489	80
Gasket Set, Engine Overhaul-0-05-4HK1XASA12A-YA00046929	178
Gasket Set, Engine Rebuild-0-05-4HK1XASA02A-YA00028489	82
Gasket Set, Engine Rebuild-0-05-4HK1XASA12A-YA00046929	180
Gasket, 0-05 Engine Gasket Kit	80, 178
Gasket, 0-05 Engine Head Gasket Kit	82, 180
Gasket, 0-10 Engine Cylinder Head Cover	84, 182
Gasket, 0-11 Engine Cylinder Head	88, 186
Gasket, 0-11 Engine Cylinder Head Support	86, 184
Gasket, 0-12 Engine Cylinder Block	90, 188
Gasket, 0-12 Engine Cylinder Block and Support	92, 190
Gasket, 0-13 Oil Pan And Level Gauge	94, 192
Gasket, 0-14 Engine Camshaft And Valve Support	98, 196
Gasket, 0-20 Flywheel Housing and Support	104, 202
Gasket, 0-20 Timing Gear Case	102, 200
Gasket, 0-25 Engine Air Intake Manifold	106, 204
Gasket, 0-27 Engine Exhaust Manifold	108, 206
Gasket, 0-30 Water Pump	112, 210
Gasket, 0-31 Thermostat and Housing	114, 212
Gasket, 0-31 Thermostat Lines	116, 214
Gasket, 0-36 Heat Exchangers, Water Pump to Exhaust Gas Recirculation (EGR)	128, 226
Gasket, 0-36 Turbocharger	126, 224
Gasket, 0-36 Turbocharger Cooling Plumbing	130, 228
Gasket, 0-40 Fuel Injection Lines	134, 232
Gasket, 0-40 Fuel Injection Pump and Support	234
Gasket, 0-40 Fuel Injection System	132, 230
Gasket, 0-40 Fuel Injection System Support	136
Gasket, 0-41 Final Fuel Filter	138
Gasket, 0-42 Fuel Pump Line	140, 236
Gasket, 0-50 Engine Oil Cooler	142, 238
Gasket, 0-51 Engine Oil Pump And Strainer	144, 240
Gasket, 0-52 Engine Oil Vacuum Lines To Timing Gear Case and Flywheel	146, 242
Gasket, 0-57 Exhaust Gas Recirculation (EGR)	148, 244
Gasket, 1-46 Diesel Exhaust Fluid (DEF) Supply Module and Dosing Injector	162, 256
Gasket, 1-50 Diesel Oxidation Catalyst (DOC) and Aftertreatment	164
Gasket, 1-50 Diesel Oxidation Catalyst (DOC) and Muffler	258
Gasket, 1-50 Exhaust System Hardware	262
Gasket, 1-50 Selective Catalytic Reduction (SCR)	166, 260
Gasket, Aftertreatment (- 340098)	292
Gasket, Aftertreatment (340099 -)	294
Gasket, Air Cleaner	282
Gasket, Boom Work Light, Halogen	330
Gasket, Engine Camshaft And Valve Support-0-14-4HK1XASA02A-YA00028489	98
Gasket, Engine Camshaft And Valve Support-0-14-4HK1XASA12A-YA00046929	196
Gasket, Engine Cylinder Block-0-12-4HK1XASA02A-YA00028489	92
Gasket, Engine Cylinder Block-0-12-4HK1XASA12A-YA00046929	190
Gasket, Engine Cylinder Head Gasket, 0-11 Engine Cylinder Head	88,
186	
Gasket, Engine Cylinder Head-0-11-4HK1XASA02A-YA00028489	86,
88	
Gasket, Engine Cylinder Head-0-11-4HK1XASA12A-YA00046929	184,
186	
Gasket, Engine Cylinder Head-0-27-4HK1XASA02A-YA00028489	108
Gasket, Engine Cylinder Head-0-27-4HK1XASA12A-YA00046929	206
Gasket, Exhaust Gas Recirculation (EGR)-0-57-4HK1XASA02A-YA00028489	148
Gasket, Exhaust Gas Recirculation (EGR)-0-57-4HK1XASA12A-YA00046929	244
Gasket, Exhaust Pipe and Silencer-1-50-4HK1XASA02A-YA00028489	164
Gasket, Exhaust Pipe and Silencer-1-50-4HK1XASA12A-YA00046929	258
Gasket, Front Cab Lights, Halogen	326
Gasket, Front Lights	324
Gasket, Fuel Injection Lines-0-40-4HK1XASA02A-YA00028489	134
Gasket, Fuel Injection Lines-0-40-4HK1XASA12A-YA00046929	232
Gasket, Fuel System Hoses	310
Gasket, Fuel Tank	308
Gasket, Gasket Kit, 0-40 Fuel Injection Pump and Support	234
Gasket, Head, Engine-0-11-4HK1XASA02A-YA00028489	88
Gasket, Head, Engine-0-11-4HK1XASA12A-YA00046929	186
Gasket, Hydraulic Oil Reservoir	594
Gasket, Hydraulic Pump Components	568
Gasket, Main Frame (- 340456)	382
Gasket, Main Frame (340457 -)	384
Gasket, Rocker Arm Cover-0-10-4HK1XASA02A-YA00028489	84
Gasket, Rocker Arm Cover-0-10-4HK1XASA12A-YA00046929	182
Gasket, Swing Bearing Mounting	810
Gasket, Thermostat and Housing-0-31-4HK1XASA02A-YA00028489	114
Gasket, Thermostat and Housing-0-31-4HK1XASA12A-YA00046929	212
Gasket, Thermostat-0-31-4HK1XASA02A-YA00028489	114
Gasket, Thermostat-0-31-4HK1XASA12A-YA00046929	212
Gasket, Travel Pilot Control Valve Components	652
Gasket, Turbocharger-0-36-4HK1XASA02A-YA00028489	126
Gasket, Turbocharger-0-36-4HK1XASA12A-YA00046929	224
Gasket, Water Pump-0-30-4HK1XASA02A-YA00028489	112
Gasket, Water Pump-0-30-4HK1XASA12A-YA00046929	210
Gauge, 0-13 Oil Pan And Level Gauge	94, 192
Gauge, Level Gauge, Hydraulic Oil Reservoir	594
Gauge, Level Gauge, Hydraulic Pump Components	568
Gauge, Level Gauge, Swing Motor and Gear Case	822
Gauge, Level, Hydraulic Oil Reservoir	594
Gauge, Oil Level-0-13-4HK1XASA02A-YA00028489	94
Gauge, Oil Level-0-13-4HK1XASA12A-YA00046929	192
Gauge, Premium Seat Components (340571 -)	466
Gear Case, Swing Motor	822
Gear Case, Travel Motor	62
Gear, 0-14 Engine Camshaft And Valve Support	98, 196

Alphabetical Index - Continued

<i>Page</i>	<i>Page</i>
Gear, 0-14 Engine Camshaft And Valves	96, 194
Gear, 0-15 Crankshaft, Pistons, and Flywheel	100, 198
Gear, 0-40 Fuel Injection Pump and Support	234
Gear, 0-40 Fuel Injection System	132, 230
Gear, 0-40 Fuel Injection System Support	136
Gear, 0-51 Engine Oil Pump And Strainer	144, 240
Gear, 0-65 Starter Components	156, 250
Gear, Engine Camshaft And Valve Support-0-14-4HK1XASA02A-YA00028489	98
Gear, Engine Camshaft And Valve Support-0-14-4HK1XASA12A-YA00046929	196
Gear, Engine Oil Pump-0-51-4HK1XASA02A-YA00028489	144
Gear, Engine Oil Pump-0-51-4HK1XASA12A-YA00046929	240
Gear, Gear Case, Swing Motor and Gear Case	822
Gear, Gear Case, Swing Motor Gear Case Components	826
Gear, Hydraulic Pump Components	568
Gear, Hydraulic Pump Rotating Group	570
Gear, Pilot Pump Components	576
Gear, Ring Gear, Swing Motor Gear Case Components	826
Gear, Starter-0-65-4HK1XASA02A-YA00028489	156
Gear, Starter-0-65-4HK1XASA12A-YA00046929	250
Gear, Sun Gear, Swing Motor Gear Case Components	826
Gear, Sun Gear, Travel Motor Gear Case Components	62
Gear, Swing Motor Gear Case Components	826
Gear, Travel Motor Gear Case Components	62
Gearbox, Swing Components	826
Gears, Crankshaft-0-15-4HK1XASA02A-YA00028489	100
Gears, Crankshaft-0-15-4HK1XASA12A-YA00046929	198
Glass, Cab	404
Glass, Cab Door	404
Glass, Windshield	406
Global Navigation Satellite System (GNSS), Machine Guidance	854
Glow Plugs, Engine-0-11-4HK1XASA02A-YA00028489	88
Glow Plugs, Engine-0-11-4HK1XASA12A-YA00046929	186
Grab Bar, Cab Left	400
Grab Bar, Handrail, Cab Components, Door	392
Grab Bar, Handrail, Cab Components, Handrail and Guard Bars	400
Grab Bar, Handrail, Handrails	476
Grab Bar, Handrail, Toolbox	560
Grille, Air Conditioner (A/C) and Heater Duct	482
Grille, Air Duct	482
Grille, Cab Components, Cab Light, Antenna, and Speakers	396
Grille, Radio Speaker	396
Grille, Speaker	396
Grip, Auxiliary Function Lever and Lines	716
Grip, Cab Components, Door	392
Grip, Cab Components, Sunroof, Shade, and Headliner	402
Grip, Cab Door	392
Grip, Left Pilot Control	656
Grip, Left Pilot Control Handle Kit	656
Grip, Pilot Controllers	644
Grip, Pilot Controllers, Machine Guidance	852
Grip, Pilot Shutoff Lever	654
Grip, Travel Pilot Control Valve Lever	650
Grommets, Main Frame (- 340456)	382
Ground Cable, Battery (- 340883)	320
Ground Cable, Cab Wiring Harness	358
GROUND WIRE, BOOM WORK LIGHT Kit	330
Grouser, Track Chain Assembly, Long Carriage	52
Grouser, Track Chain Assembly, Standard	50
Guard, Fan Shroud-1-10-4HK1XASA02A-YA00028489	160
Guard, Fan Shroud-1-10-4HK1XASA12A-YA00046929	254
Guard, FOPS	442
Guard, Front Window, Front (- 340456)	438
GUARD, LOWER ROLLER	54
Guard, Operator Protection, Front (- 340456)	438
Guards, Cab Vandal (- 340456)	444
Guide, Fan-0-33-4HK1XASA02A-YA00028489	120
Guide, Fan-0-33-4HK1XASA12A-YA00046929	218
H	
Hammer, Cab	396
Hammer, Cab Components, Cab Light, Antenna, and Speakers	396
Hammer, Escape	396
Handle, Air Suspension Heated Seat Components	458
Handle, Cab Components, Door	392
Handle, Cab Components, Door Catch	394
Handle, Cab Components, Windshield	406
Handle, Cab Door	392
Handle, Door Catch	394
Handle, Mechanical Suspension Seat Components	452
Handle, Rotary Valve Components	708
Handle, Toolbox	560
Handle, Windshield	406
Handrail, Cab Components, Door	392
Handrail, Cab Components, Handrail and Guard Bars	400
Handrail, Cab Door	392
Handrail, Cab Left	400
Handrail, Handrails	476
Handrail, Toolbox	560
Handrails	476
Hanger, Engine Cylinder Head-0-11-4HK1XASA02A-YA00028489	86
Hanger, Engine Cylinder Head-0-11-4HK1XASA12A-YA00046929	184
Hardware, Engine Electrical Control Parts-0-60-4HK1XASA02A-YA00028489	154
Hardware, Engine Wiring Harness-8-15-4HK1XASA02A-YA00028489	172
Hardware, Engine Wiring Harness-8-15-4HK1XASA12A-YA00046929	268
Harness, Alternator, Engine Electrical Control Parts-0-60-4HK1XASA02A-YA00028489	150
Harness, Alternator, Engine Electrical Control Parts-0-60-4HK1XASA12A-YA00046929	246
Harness, Cab Wiring Harness, Cab Wiring Harness	358
Harness, Wiring Harness, 8-10 Engine Wiring Harness	170, 266
Harness, Wiring Harness, Air Conditioner (A/C) and Heater Components	480
Harness, Wiring Harness, Air Suspension Seat Heater Switch and Wiring Harness (- XXXXXX)	460
Harness, Wiring Harness, Air Suspension Seat Heater Switch and Wiring Harness (XXXXXX -)	462
Harness, Wiring Harness, Attachment Jumper Wiring Harness (340457 - 340890)	356
Harness, Wiring Harness, Auxiliary Function Lever and Lines	716
Harness, Wiring Harness, Batteries, Support and Cables (- 340883)	320
Harness, Wiring Harness, Batteries, Support, and Cables (340884 -)	322
Harness, Wiring Harness, Boom Light Wiring Harness, Mono Boom	332
Harness, Wiring Harness, Boom Work Light, Halogen	330
Harness, Wiring Harness, Boom Work Light, LED (340457 - 340885)	342
Harness, Wiring Harness, Boom Work Light, LED (340886 -)	344
Harness, Wiring Harness, Cab Components, Cab Light, Antenna, and Speakers	396
Harness, Wiring Harness, Cab Components, Windshield	406
Harness, Wiring Harness, Cab Headlamp Wiring Harness	328
Harness, Wiring Harness, Cab Wiring Harness	358
Harness, Wiring Harness, Data Converter Wiring Harness	366
Harness, Wiring Harness, Electric Solenoid Valve Kit, 1 Way	710
Harness, Wiring Harness, Electric Solenoid Valve Kit, 2 Way	712
Harness, Wiring Harness, Flex Power Controller (FPC), Machine Guidance	842
Harness, Wiring Harness, Front Cab Lights, Halogen	326
Harness, Wiring Harness, Front Cab Lights, LED (340457 - 340885)	334
Harness, Wiring Harness, Front Cab Lights, LED (340886 -)	336
Harness, Wiring Harness, Front Lights	324
Harness, Wiring Harness, Global Navigation Satellite System (GNSS), Machine Guidance	854
Harness, Wiring Harness, Hydraulic Coupler Kit	636
Harness, Wiring Harness, Hydraulic Filter Restriction Indicator Kit	596
Harness, Wiring Harness, Interface Wiring Harness, Machine Guidance	836
Harness, Wiring Harness, Jumper Wiring Harness (340099 -)	354
Harness, Wiring Harness, Laser Sensor and Wiring Harness, Machine Guidance	850
Harness, Wiring Harness, Left Pilot Control Handle Kit	656
Harness, Wiring Harness, Machine Guidance Inclinometer, Arm	844
Harness, Wiring Harness, Machine Guidance Inclinometer, Boom	846
Harness, Wiring Harness, Machine Guidance Monitor and Wiring Harness	838
Harness, Wiring Harness, Machine Guidance Wiring Harness, Cab	834
Harness, Wiring Harness, Machine Wiring Harness (- 340456)	350
Harness, Wiring Harness, Machine Wiring Harness (340457 -)	352
Harness, Wiring Harness, Main Body High Flow Auxiliary Lines (- 340890)	782
Harness, Wiring Harness, Main Body High Flow Auxiliary Lines (340891 -)	784
Harness, Wiring Harness, Monitor and Monitor Wiring Harness	364
Harness, Wiring Harness, MP3 Player Wiring Harness	564

Alphabetical Index - Continued

Page	Page		
Harness, Wiring Harness, Pilot Control Lever Wiring Harnesses and Relays	362	Hook, Toolbox.....	560
Harness, Wiring Harness, Power Converter, 12 V	502	Horn.....	360, 554
Harness, Wiring Harness, Power Supply Wiring Harness (340457 -)	368	Horn, Cab Wiring Harness Mounting	360
Harness, Wiring Harness, Premium Seat (340571 -)	464	Horn, Horn	554
Harness, Wiring Harness, Premium Seat Components (340571 -) ..	466	Hose, 0-13 Oil Pan And Level Gauge	94, 192
Harness, Wiring Harness, Rear Cab Lights, LED (340457 - 340885)	338	Hose, 0-28 Engine Ventilation	110, 208
Harness, Wiring Harness, Rear Cab Lights, LED (340886 -)	340	Hose, 0-32 Water Bypass Manifold Plumbing	118, 216
Harness, Wiring Harness, Rear Camera	562	Hose, 0-36 Heat Exchangers, Water Pump to Exhaust Gas Recirculation (EGR)	128, 226
Harness, Wiring Harness, Roof Lights Wiring Harness	434	Hose, Aftertreatment (- 340098)	292
Harness, Wiring Harness, Seat Heater Wiring Harness	474	Hose, Air Cleaner	290
Harness, Wiring Harness, Toolbox Light, LED (340457 - 340885) ..	346	Hose, Air Conditioner (- 340003)	484
Harness, Wiring Harness, Toolbox Light, LED (340886 -)	348	Hose, Air Conditioner Compressor and Condenser Hoses (- 340456)	494
Harness, Wiring Harness, Travel Alarm	556	Hose, Air Conditioner Compressor and Condenser Hoses (340457 -)	496
Harness, Wiring Harness, Travel Motion Alarm Switch and Wiring Harness	558	Hose, Air Conditioner Refrigerant Hose and Compressor Belt (- 340003)	484
Harness, Wiring Harness, Two Pump Combined Flow Kit	798	Hose, Air Conditioner Refrigerant Hose and Compressor Belt (340004 -)	486
Harness, Wiring Harness, ZXLink™ Modular Telematics Gateway (MTG) Assembly, 4G LTE	606	Hose, Arm High Flow Auxiliary Lines, 2.91 m (9.55 ft) (340891 -) ..	792
Harness, Wiring Harness, ZXLink™ MTG Assembly	600	Hose, Attenuator Lines	734
Harness, Wiring Harness, ZXLink™ Satellite (SAT) Module Controller	602	Hose, Auxiliary Function Lever	716
Harness, Wiring, Windshield Wiper	406	Hose, Boom Cylinder To Boom Bottom Lines	732
Hatch, Cab Roof	402	Hose, Boom Cylinder To Control Valve	732
Head Gasket, Engine-0-11-4HK1XASA02A-YA00028489	88	Hose, Boom Hydraulic Lines To Cylinders	780
Head Gasket, Engine-0-11-4HK1XASA12A-YA00046929	186	Hose, Bulk Hose, Aftertreatment (- 340098)	292
Head Lamp, Front Lights	324	Hose, Bulk Hose, Aftertreatment (340099 -)	294
Head Restraint, Air Suspension Heated Seat	458	Hose, Bulk Hose, Cab Components, Cab Light, Antenna, and Speakers	396
Headlamp Wiring Harness, Cab	328	Hose, Bulk Hose, Fuel System Hoses	310
Headlight	326	Hose, Bulk Hose, Surge Tank	280
Headlight, Boom Work Light, LED (340457 - 340885)	342	HOSE, CENTER JOINT TO RETURN LINES (- 340005)	724
Headlight, Front Cab Lights, Halogen	326	HOSE, CENTER JOINT TO RETURN LINES (340006 -)	726
Headlight, Front Cab Lights, LED (340457 - 340885)	334	Hose, Compressor, Air Conditioner (- 340456)	494
Headlight, Front Lights	324	Hose, Condenser, Air Conditioner (- 340456)	494
Headlight, Rear Cab Lights, LED (340457 - 340885)	338	Hose, Control Valve To Cooling Package	730
Headlight, Toolbox	560	Hose, Control Valve To Hydraulic Pump	722
Headlight, Toolbox Light, LED (340457 - 340885)	346	Hose, Control Valve To Oil Tank	728
Headliner, Cab	402	Hose, Control Valve To Rotary Manifold	744
Headliner, Cab Components, Sunroof, Shade, and Headliner	402	HOSE, CONTROL VALVE TO SWING DEVICE (- 340005)	724
Heat Exchanger, Cooling Package	274	HOSE, CONTROL VALVE TO SWING DEVICE (340006 -)	726
Heated Air Suspension Seat (- 340456)	454	Hose, Cooling Package Hoses	276
Heated Air Suspension Seat (340457 -)	456	Hose, Diesel Exhaust Fluid (DEF) Lines	302
Heated Seat, Air Suspension Seat Components	458	Hose, Diesel Exhaust Fluid (DEF) Tank	298
Heater Hoses	498	Hose, Diesel Exhaust Fluid (DEF) Tank Parts	300
Heater Hoses To Engine	498	Hose, Diesel Exhaust Fluid Tank	298
Heater, Air Heater Controller, Air Conditioner (A/C) and Heater	478	Hose, Direct Hydraulic Thumb Kit (Kits Built 28 June 2010 -)	680
Heater, Air Suspension Heated Seat Components	458	Hose, Electric Solenoid Valve Kit, 2 Way	712
Heater, Air Suspension Seat	458	Hose, Engine Mounting	304
Heater, Coolant Heater, Engine Block Coolant Heater (340457 -) ..	272	Hose, Fuel System Hoses	310
Heavy-Duty Bucket, 1.06 m (42 in), 0.85 m ³ (1.11 yd ³)	622	Hose, Heater Hoses	498
Heavy-Duty Bucket, 1.2 m (48 in), 1.0 m ³ (1.31 yd ³)	624	Hose, Hose Clamp, Aftertreatment (- 340098)	292
Heavy-Duty Bucket, 60.96 cm (24 in), 0.39 m ³ (0.51 yd ³)	616	Hose, Hose Clamp, Air Cleaner Hoses	290
Heavy-Duty Bucket, 76.2 cm (30 in), 0.54 m ³ (0.71 yd ³)	618	Hose, Hose Clamp, Boom Hydraulic Lines To Cylinders	780
Heavy-Duty Bucket, 91.44 cm (36 in), 0.69 m ³ (0.91 yd ³)	620	Hose, Hose Clamp, Cab Wiring Harness	358
Hi-Flow, Pressure Relief Valve	714	Hose, Hose Clamp, Cab Wiring Harness Mounting	360
High Flow Arm Auxiliary Lines (2.42 m)	786	Hose, Hose Clamp, Cooling Package Hoses	276
High Flow Arm Auxiliary Lines (2.91 m Arm) (- 340456)	788	Hose, Hose Clamp, Fuel System Hoses	310
High Flow Boom Auxiliary Hydraulic Lines	794	Hose, Hose Clamp, Intercooler Hoses	278
High/Low Pressure Switch, Air Conditioner (- 340456)	494	Hose, Hose Clamp, Machine Wiring Harness (- 340456)	350
Hinge, Cab Components, Door	392	Hose, Hose Clamp, Pilot Lines, Pilot Signal Manifold to Left Pilot Controller (- 340456)	758
Hinge, Cab Components, Sunroof, Shade, and Headliner	402	Hose, Hose Clamp, Pilot Lines, Pilot Signal Manifold to Left Pilot Controller (340457 -)	760
Hinge, Cab Door	392	Hose, Hose Clamp, Pilot Lines, Pilot Signal Manifold to Travel Pilot Valve (340457 -)	772
Hinge, Cab Roof	402	Hose, Hose Clamp, Return Lines, Control Valve To Hydraulic Oil Tank	728
Hinge, Cooling Package and Hydraulic Pump Compartment Doors (XXXXXX -)	524	Hose, Hose Clamp, Suction Lines	720
Hinge, Engine Cover	532	Hose, Hose Fitting, Arm High Flow Auxiliary Lines, 2.91 m (9.55 ft) (- 340456)	788
Hinge, Operator Protection Guard (OPG) (340457 -)	440	Hose, Hose Fitting, Arm High Flow Auxiliary Lines, Short	786
Holder, 0-66 Alternator Components	158, 252	Hose, Hose Guard, Front Lines	736
Holder, Air Conditioner (A/C) Condenser Components	492	Hose, Hose Guard, Fuel System Hoses	310
Holder, Cab Components, Brackets, Bushings, and Stoppers	398	Hose, Hose Guard, Main Body High Flow Auxiliary Lines (- 340890)	782
Holder, Cab Components, Door	392	Hose, Hose Guard, Main Body High Flow Auxiliary Lines (340891 -)	784
Holder, Cab Inside Right Cover	428	Hose, Hose Guard, Pilot Lines, Control Valve To Rotary Manifold	744
Holder, Diesel Exhaust Fluid (DEF) Tank	298	Hose, Hose Guard, Pilot Lines, Filter and Bypass Valve	740
Holder, Diesel Exhaust Fluid (DEF) Tank Parts	300	Hose, Hose Guard, Pilot Lines, Pilot Signal Manifold to Left Pilot Controller (- 340456)	758
Holder, Hydraulic Coupler Kit, Variable Pin Grabber	640		
Holder, Rear View Mirror Components	552		
Holder, Travel Pilot Control Valve Components	652		
Hood, Engine	532		
Hook, Cab Components, Brackets, Bushings, and Stoppers	398		
Hook, Hook Bolt, Batteries, Support, and Cables (340884 -)	322		
Hook, Hydraulic Coupler Kit, Variable Pin Grabber	640		

Alphabetical Index - Continued

Page	Page		
Hose, Hose Guard, Pilot Lines, Pilot Signal Manifold to Left Pilot Controller (340457 -)	760	Hose, Pilot Lines, Control Valve to Solenoid Valve (- 340504).....	754
Hose, Hose Guard, Pilot Lines, Pilot Signal Manifold to Right Pilot Controller (- 340456)	762	Hose, Pilot Lines, Control Valve to Solenoid Valve (340505 -)	756
Hose, Hose Guard, Pilot Lines, Pilot Signal Manifold to Right Pilot Controller (340457 -)	764	Hose, Pilot Lines, Filter and Bypass Valve	740
Hose, Hose Guard, Two Pump Combined Flow Kit	798	Hose, Pilot Lines, Pilot Signal Manifold to Left Pilot Controller (- 340456)	758
Hose, Hydraulic Hose, Arm High Flow Auxiliary Lines, 2.91 m (9.55 ft) (- 340456)	788	Hose, Pilot Lines, Pilot Signal Manifold to Left Pilot Controller (340457 -)	760
Hose, Hydraulic Hose, Arm High Flow Auxiliary Lines, 2.91 m (9.55 ft) (340457 - 340890)	790	Hose, Pilot Lines, Pilot Signal Manifold To Pilot Shutoff Valve (- 340456)	766
Hose, Hydraulic Hose, Arm High Flow Auxiliary Lines, Short	786	Hose, Pilot Lines, Pilot Signal Manifold To Pilot Shutoff Valve (340457 -)	768
Hose, Hydraulic Hose, Arm, 2.91 m (9.55 ft)	672	Hose, Pilot Lines, Pilot Signal Manifold to Right Pilot Controller (- 340456)	762
Hose, Hydraulic Hose, Arm, 2.91 m (9.55 ft), Machine Guidance	830	Hose, Pilot Lines, Pilot Signal Manifold to Right Pilot Controller (340457 -)	764
Hose, Hydraulic Hose, Auxiliary Function Lever and Lines	716	Hose, Pilot Lines, Pilot Signal Manifold to Travel Pilot Valve (- 340456)	770
Hose, Hydraulic Hose, Boom Cylinder Lines	732	Hose, Pilot Lines, Pilot Signal Manifold to Travel Pilot Valve (340457 -)	772
Hose, Hydraulic Hose, Boom High Flow Auxiliary Lines	794	Hose, Pilot Lines, Travel Pilot Valve To Pilot Shutoff Valve (340457 -)	776
Hose, Hydraulic Hose, Delivery Lines	722	Hose, Pilot Signal Manifold to Control Valve	748
Hose, Hydraulic Hose, Direct Hydraulic Thumb Kit (Kits Built 28 June 2010 -)	680	Hose, Progressive Hydraulic Thumb Kit (Kits Built 28 June 2010)	682
Hose, Hydraulic Hose, Drain Lines (- 340005)	724	Hose, Radiator	276
Hose, Hydraulic Hose, Drain Lines (340006 -)	726	Hose, Radiator Hose, Cooling Package Hoses	276
Hose, Hydraulic Hose, Electric Solenoid Valve Kit, 1 Way	710	Hose, Refrigerant Hose, Air Conditioner Refrigerant Hose and Compressor Belt (- 340003)	484
Hose, Hydraulic Hose, Electric Solenoid Valve Kit, 2 Way	712	Hose, Return Lines, Control Valve to Cooling Package	730
Hose, Hydraulic Hose, Engine Oil Filter and Lines	314	Hose, Return Lines, Control Valve To Hydraulic Oil Tank	728
Hose, Hydraulic Hose, Front Lines	736	Hose, Short Arm	670
Hose, Hydraulic Hose, Hydraulic Control Kit, Variable Pin Grabber	642	Hose, Single Pedal Propel (340457 -)	660
Hose, Hydraulic Hose, Hydraulic Coupler Kit	636	Hose, Single Pedal Propel Kit	658
Hose, Hydraulic Hose, Hydraulic Coupler Kit, Variable Pin Grabber	640	Hose, Standard Arm 2.91 m	672
Hose, Hydraulic Hose, Lubrication Lines	778	Hose, Suction Lines	720
Hose, Hydraulic Hose, Main Body High Flow Auxiliary Lines (- 340890)	782	Hose, Surge Tank	280
Hose, Hydraulic Hose, Main Body High Flow Auxiliary Lines (340891 -)	784	HOSE, SWING DEVICE TO RETURN LINES (- 340005)	724
Hose, Hydraulic Hose, Mechanical Pattern Changer Kit	700	HOSE, SWING DEVICE TO RETURN LINES (340006 -)	726
Hose, Hydraulic Hose, Pattern Changer (- 340456)	702	Hose, Swing Motor Lines From Control Valve	738
Hose, Hydraulic Hose, Pattern Changer (340457 -)	704	HOSE, SWING MOTOR TO CONTROL VALVE	738
Hose, Hydraulic Hose, Pattern Changer Hoses (340457 -)	706	Hose, Travel Motor Hydraulic Lines	70
Hose, Hydraulic Hose, Pilot Lines (Hydraulic Pump To Pilot Signal Manifold)	746	Hose, Two Way Auxiliary	664
Hose, Hydraulic Hose, Pilot Lines, Control Valve To Pilot Signal Manifold (- 340456)	750	Hose, Two-Way Auxiliary Foot Pedal Hoses	664
Hose, Hydraulic Hose, Pilot Lines, Control Valve To Pilot Signal Manifold (340457 -)	752	Hose, Ventilation System-0-28-4HK1XASA02A-YA00028489	110
Hose, Hydraulic Hose, Pilot Lines, Control Valve To Rotary Manifold	744	Hose, Ventilation System-0-28-4HK1XASA12A-YA00046929	208
Hose, Hydraulic Hose, Pilot Lines, Control Valve to Solenoid Valve (- 340504)	754	Hose, Water Bypass Manifold-0-32-4HK1XASA02A-YA00028489	118
Hose, Hydraulic Hose, Pilot Lines, Control Valve to Solenoid Valve (340505 -)	756	Hose, Water Bypass Manifold-0-32-4HK1XASA12A-YA00046929	216
Hose, Hydraulic Hose, Pilot Lines, Filter and Bypass Valve	740	Hose, Water Pump To Exhaust Gas	
Hose, Hydraulic Hose, Pilot Lines, Pilot Signal Manifold to Left Pilot Controller (340457 -)	760	Recirculation-0-36-4HK1XASA02A-YA00028489	128
Hose, Hydraulic Hose, Pilot Lines, Pilot Signal Manifold To Pilot Shutoff Valve (340457 -)	768	Hose, Water Pump To Exhaust Gas	
Hose, Hydraulic Hose, Pilot Lines, Pilot Signal Manifold to Right Pilot Controller (- 340456)	762	Recirculation-0-36-4HK1XASA12A-YA00046929	226
Hose, Hydraulic Hose, Pilot Lines, Pilot Signal Manifold to Right Pilot Controller (340457 -)	764	Hose, Windshield Washer	396
Hose, Hydraulic Hose, Pilot Lines, Pilot Signal Manifold To Swing Motor	748	Hoses, Arm Auxiliary (High Flow) (2.42 m)	786
Hose, Hydraulic Hose, Pilot Lines, Pilot Signal Manifold to Travel Pilot Valve (340457 -)	772	Hoses, Arm Auxiliary (High Flow) (2.91 m Arm) (- 340456)	788
Hose, Hydraulic Hose, Progressive Hydraulic Thumb Kit (Kits Built 28 June 2010 -)	682	Hoses, Arm Cylinder	780
Hose, Hydraulic Hose, Short Arm 2.42 m (7.94 ft)	670	Hoses, Attenuator	734
Hose, Hydraulic Hose, Single Pedal Propel (340457 -)	660	Hoses, Boom Auxiliary High Flow	794
Hose, Hydraulic Hose, Single Pedal Propel Kit	658	Hoses, Boom To Control Valve	736
Hose, Hydraulic Hose, Suction Lines	720	Hoses, Control Valve to Boom	736
Hose, Hydraulic Hose, Travel Motor Hydraulic Lines	70	Hoses, Cooling Package	276
Hose, Hydraulic Hose, Travel Motor Hydraulic Lines, Long Carriage	72	Hoses, Diesel Exhaust Fluid	302
Hose, Hydraulic Hose, Two Pump Combined Flow Kit	798	Hoses, Electric solenoid Valve Kit, 1 Way	710
Hose, Hydraulic Hose, Two-Way Auxiliary Foot Pedal Hoses	664	Hoses, Engine Mounting	304
Hose, Hydraulic Pilot (Pilot Signal Manifold To Swing Motor)	748	Hoses, Engine Oil Filter	314
Hose, Hydraulic Pump Attenuator	734	Hoses, Engine To Heater	498
Hose, Hydraulic, Pilot Lines, Control Valve to Solenoid Valve (- 340504)	754	Hoses, Front	736
Hose, Intercooler Hoses	278	Hoses, Fuel Injection Lines-0-40-4HK1XASA02A-YA00028489	134
Hose, Main Body High Flow Auxiliary Lines (- 340890)	782	Hoses, Fuel Injection Lines-0-40-4HK1XASA12A-YA00046929	232
Hose, Main Body High Flow Auxiliary Lines (340891 -)	784	Hoses, Fuel Injection System-0-40-4HK1XASA02A-YA00028489	132
Hose, Oil Tank To Cooling Package	728	Hoses, Fuel Injection System-0-40-4HK1XASA12A-YA00046929	230
Hose, Oil Tank To Hydraulic Pump	720	Hoses, Fuel System	310
Hose, Pilot Lines (Hydraulic Pump To Pilot Signal Manifold)	746	Hoses, Heater	498
		Hoses, Hydraulic Coupler Kit	636
		Hoses, Hydraulic Pump To Hydraulic Solenoid Valve	746
		Hoses, Hydraulic Pump To Pilot Signal Manifold	746
		Hoses, Intercooler	278
		Hoses, Oil Filter To Solenoid Valve	740
		Hoses, Pattern Changer (- 340456)	702
		Hoses, Pattern Changer Mechanical	700
		Hoses, Pilot (Hydraulic Pump To Pilot Signal Manifold)	746
		Hoses, Pilot (Pilot Signal Manifold To Right Pilot Controller) (- 340456)	762
		Hoses, Pilot Propel Valve To Pilot Signal Manifold (- 340456)	770
		Hoses, Pilot Shutoff Valve To Travel Pilot Valve (- 340456)	774

Alphabetical Index - Continued

Page	Page		
Hoses, Pilot Signal Manifold To Hydraulic Pump.....	746	Hydraulic Thumb, Direct (Kits Built 28 June 2010 -).....	680
Hoses, Pilot Signal Manifold To Right Pilot Controller (- 340456).....	762	Hydraulic Thumb, Progressive (Kits Built 28 June 2010 -).....	682
Hoses, Pilot, Travel Pilot Valve To Pilot Shutoff Valve (- 340456).....	774		
Hoses, Right Pilot Controller To Pilot Signal Manifold (- 340456).....	762		
Hoses, Solenoid Valve To Hydraulic Pump.....	740		
Hoses, Solenoid Valve To Oil Tank.....	740		
Hoses, Suction.....	720		
Hoses, Surge Tank.....	280		
Hoses, Thermostat-0-31-4HK1XASA02A-YA00028489.....	116		
Hoses, Thermostat-0-31-4HK1XASA12A-YA00046929.....	214		
Hoses, Travel Motor Hydraulic.....	70		
Hoses, Travel Motor Hydraulic (Long Carriage).....	72		
Hoses, Travel Pilot Valve To Pilot Shutoff Valve (- 340456).....	774		
Hot Water Hose, Heater Hoses.....	498		
Housing And Gaskets, Pilot Signal Manifold.....	688		
Housing, 0-20 Flywheel Housing and Support.....	104, 202		
Housing, 0-65 Starter Components.....	156, 250		
Housing, Cab Components, Cab Light, Antenna, and Speakers.....	396		
Housing, Control Valve Body and Spools, 4-Spool Side.....	584		
Housing, Control Valve Body and Spools, 5-Spool Side.....	588		
Housing, Control Valve End Caps, 4-Spool Side.....	586		
Housing, Control Valve End Caps, 5-Spool Side.....	590		
Housing, Elec. Connector Housing, ZXLink™ Satellite (SAT) Module Controller.....	602		
Housing, Flywheel-0-20-4HK1XASA02A-YA00028489.....	102		
Housing, Flywheel-0-20-4HK1XASA12A-YA00046929.....	200		
Housing, Hydraulic Oil Reservoir.....	594		
Housing, Hydraulic Pump Rotating Group.....	570		
Housing, Pilot Pump Components.....	576		
Housing, Pilot Shutoff Solenoid Valve Components.....	698		
Housing, Pilot Shutoff Valve.....	698		
Housing, Rear View Mirror Components.....	552		
Housing, Rotary Manifold Components.....	816		
Housing, Rotary Valve Components.....	708		
Housing, Solenoid Valve Components.....	684		
Housing, Solenoid Valve Components, Auxiliary Function.....	718		
Housing, Solenoid Valve Components, Two Spool.....	686		
Housing, Swing Motor Components.....	824		
Housing, Swing Motor Gear Case Components.....	826		
Housing, Travel Motor Components.....	64		
Housing, Travel Motor Gear Case Components.....	62		
Hub, Hydraulic Pump Components.....	568		
Hydraulic Control Kit, Variable Pin Grabber.....	642		
Hydraulic Coupler Components.....	638		
Hydraulic Coupler Kit.....	636		
Hydraulic Coupler Kit, Variable Pin Grabber.....	640		
Hydraulic Filter Restriction Indicator Kit.....	596		
Hydraulic Filter Restriction Indicator Wiring Harness.....	596		
Hydraulic Hose, Pilot Lines, Control Valve to Solenoid Valve (- 340504).....	754		
Hydraulic Line, Combo Line Arm Kit.....	678		
Hydraulic Lines, Boom Auxiliary (High Flow).....	794		
Hydraulic Lines, Propel Motor.....	70		
Hydraulic Lines, Travel Motor.....	70		
Hydraulic Lines, Travel Motor (Long Carriage).....	72		
Hydraulic Motor Gearbox, Swing Components.....	826		
Hydraulic Oil Cooler, Cooling Package.....	274		
Hydraulic Oil Filter.....	740		
Hydraulic Oil Filter Element.....	740		
Hydraulic Oil Reservoir.....	594		
Hydraulic Oil Reservoir Mounting.....	592		
Hydraulic Oil Tank Filter.....	594		
Hydraulic Pilot Line (Pilot Signal Manifold To Swing Motor).....	748		
Hydraulic Pilot Pump Components.....	576		
Hydraulic Pump Attenuator Lines.....	734		
Hydraulic Pump Compartment Door (- XXXXXX).....	522		
Hydraulic Pump Compartment Door (XXXXXX -).....	524		
Hydraulic Pump Compartment Panels.....	528		
Hydraulic Pump Components.....	568		
Hydraulic Pump Delivery Pressure Sensor.....	570		
Hydraulic Pump Flex Coupling.....	568		
Hydraulic Pump Lines to Control Valve.....	722		
Hydraulic Pump Lines to Oil Filter.....	740		
Hydraulic Pump Lines To Oil Tank.....	720		
Hydraulic Pump Lines To Pilot Signal Manifold.....	746		
Hydraulic Pump Mounting.....	566		
Hydraulic Pump Regulator 1 Components.....	572		
Hydraulic Pump Regulator 2 Components.....	574		
Hydraulic Pump Rotating Group.....	570		
Hydraulic Pump Seal Kit.....	568, 570		
Hydraulic Shutoff Valve, Pilot.....	698		
Hydraulic Thumb Kit Cylinder Components (Kits Built 28 June 2010 -).....	808		
		IDLER, TRACK CHAIN (- 340516).....	46
		Idler, Track Chain (340517 -).....	48
		Idler, Track Chain Idler (- 340516).....	46
		Idler, Track Chain Idler (340517 -).....	48
		Idler, Track Idler, Track Chain Idler (- 340516).....	46
		Idler, Track Idler, Track Chain Idler (340517 -).....	48
		Ignition Switch.....	370
		Indicator, Air Cleaner.....	282
		Indicator, Hydraulic Filter Restriction Indicator Kit.....	596
		Indicator, Hydraulic Filter Restriction; Kit.....	596
		Injection nozzle, Electronic Unit Injector, 0-40 Fuel Injection System.....	132, 230
		Injector Injection nozzle, Nozzle, Cab Components, Cab Light, Antenna, and Speakers.....	396
		Injector, Electronic Unit Injector, 0-40 Fuel Injection System.....	132, 230
		Inner Filter Element, Air Cleaner.....	282
		Instrument panel Control Panel, Console, Cab Console and Armrest.....	426
		Insulator, Diesel Exhaust Fluid (DEF) Lines.....	302
		Insulator, Main Frame (- 340456).....	382
		Insulator, Main Frame (340457 -).....	384
		Insulator, Storage Compartment Door and Panels (- 340456).....	504
		Intake Manifold, Air-0-25-4HK1XASA02A-YA00028489.....	106
		Intake Manifold, Air-0-25-4HK1XASA12A-YA00046929.....	204
		Intake Valve, Engine-0-14-4HK1XASA02A-YA00028489.....	96
		Intake Valve, Engine-0-14-4HK1XASA12A-YA00046929.....	194
		Intercooler Hoses.....	278
		Intercooler, Cooling Package.....	274
		Interface Wiring Harness, Machine Guidance.....	836
		Isolator, 0-10 Engine Cylinder Head Cover.....	84, 182
		Isolator, 0-25 Engine Air Intake Manifold.....	106, 204
		Isolator, Air Cleaner Cap and Mounting.....	284
		Isolator, Auxiliary Function Lever and Lines.....	716
		Isolator, Bottom Covers (- 340456).....	534
		Isolator, Cab.....	398
		Isolator, Cab Components, Brackets, Bushings, and Stoppers.....	398
		Isolator, Cab Components, Cab Glass.....	404
		Isolator, Cab Components, Cab Light, Antenna, and Speakers.....	396
		Isolator, Cab Components, Door.....	392
		Isolator, Cab Components, Door Catch.....	394
		Isolator, Cab Components, Handrail and Guard Bars.....	400
		Isolator, Cab Components, Sunroof, Shade, and Headliner.....	402
		Isolator, Cab Components, Windshield.....	406
		Isolator, Cab Door.....	392
		Isolator, Cab Floor Brackets.....	420
		Isolator, Cab Glass.....	404
		Isolator, Cab Mounts.....	408
		Isolator, Cab Window.....	392
		Isolator, Cab Wiring Harness.....	358
		Isolator, Control Valve Covers (- 340040).....	516
		Isolator, Control Valve Covers (340041 -).....	518
		Isolator, Cooling Package.....	274
		Isolator, Cooling Package and Hydraulic Pump Compartment Doors (- XXXXXX).....	522
		Isolator, Cooling Package and Hydraulic Pump Compartment Doors (XXXXXX -).....	524
		Isolator, Cooling Package Compartment Panels.....	526
		Isolator, Cooling Package Top Covers.....	520
		Isolator, Counterweight.....	386
		Isolator, Delivery Lines.....	722
		Isolator, Diesel Exhaust Fluid (DEF) Lines.....	302
		Isolator, Diesel Exhaust Fluid (DEF) Tank.....	298
		Isolator, Door Catch.....	394
		Isolator, Engine Compartment Panels.....	530
		Isolator, Engine Cover.....	532
		Isolator, Falling Object Protection Kit.....	442
		Isolator, Falling Object Protection Structure (FOPS) Kit.....	442
		Isolator, Fuel System Hoses.....	310
		Isolator, Global Navigation Satellite System (GNSS), Machine Guidance.....	854
		Isolator, Hydraulic Pump Compartment Door (- XXXXXX).....	522
		Isolator, Hydraulic Pump Compartment Door (XXXXXX -).....	524
		Isolator, Hydraulic Pump Compartment Panels.....	528
		Isolator, Main Frame (- 340456).....	382
		Isolator, Main Frame (340457 -).....	384
		Isolator, Pilot Shutoff Lever.....	654
		Isolator, Power Converter, 12 V.....	502

Alphabetical Index - Continued

	Page		Page
Isolator, Precleaner (340457 -)	286	Label, Single Pedal Propel Kit	658
Isolator, Radiator Top Cover	520	Labels and Decals (2)	318
Isolator, Rear Tray	430	Lamp, Batteries, Support and Cables (- 340883)	320
Isolator, Seat Shock Absorber Kit, Premium Seat Components (340571 -)	466	Lamp, Batteries, Support, and Cables (340884 -)	322
Isolator, Storage Compartment Door and Panels (- 340456)	504	Lamp, Boom Work Light, Halogen	330
Isolator, Storage Compartment Door and Panels (340457 -)	506	Lamp, Boom Work Light, LED (340886 -)	344
Isolator, Storage Compartment Top Cover (- 340456)	508	Lamp, Cab Components, Cab Light, Antenna, and Speakers	396
Isolator, Storage Compartment Top Cover (340457 -)	510	Lamp, Front Cab Lights, LED (340886 -)	336
Isolator, Surge Tank	280	Lamp, Head, Front Lights	324
Isolator, Toolbox	560	Lamp, Rear Cab Lights, LED (340886 -)	340
Isolators, Cab	408	Lamp, Toolbox Light, LED (340886 -)	348
Isolators, Cab Sunroof	402	Laser Sensor and Wiring Harness, Machine Guidance	850
Isolators, Counterweight	386	Latch, 0-27 Engine Exhaust Manifold	108, 206
Isolators, Engine Compartment Panel	530	Latch, Cab Components, Door Catch	394
Isolators, Oil Tank Door	528	Latch, Cooling Package and Hydraulic Pump Compartment Doors (- XXXXXX)	522
Isolators, Windshield	406	Latch, Cooling Package and Hydraulic Pump Compartment Doors (XXXXXX -)	524
		Latch, Door Catch	394
J		Latch, Hydraulic Pump Compartment Panels	528
Jet, 0-12 Engine Cylinder Block	90, 188	Latch, Operator Protection Guard (OPG) (340457 -)	440
Joint, Center, Components	816	Latch, Storage Compartment Door (- 340456)	504
Jumper Wiring Harness (340099 -)	354	Latch, Storage Compartment Door and Panels (- 340456)	504
		Latch, Storage Compartment Door and Panels (340457 -)	506
K		Left Boom Cylinder	800
Key Start Switch	370	Left Boom Cylinder Components	800
Key Switch	370	Left Boom Cylinder Seal Kit	800
Key, 0-40 Fuel Injection Pump and Support	234	Left Pilot Control Handle Kit	656
Key, 0-40 Fuel Injection System Support	136	Left Rear View Mirror	550
Key, Cab Components, Door	392	Left/Right Enable Switch	362
Key, Cab Door	392	Level Gauge, Hydraulic Oil Reservoir	594
Key, Key Start Switch	370	Lever, Air Conditioner (A/C) and Heater Components	480
Key, Pilot Pump Components	576	Lever, Batteries, Support and Cables (- 340883)	320
Kit, Adjuster, Air Suspension Seat	458	Lever, Batteries, Support, and Cables (340884 -)	322
Kit, Air Spring Seat, Air Suspension Seat	458	Lever, Cab Components, Door Catch	394
Kit, Arm High Flow Auxiliary Lines (2.42 m)	786	Lever, Cab Components, Windshield	406
Kit, Auxiliary (Hi-Flow) (Arm) (2.91 m Arm) (- 340456)	788	Lever, Door Catch	394
Kit, Belt, Air Suspension Kit	458	Lever, Hydraulic Pump Rotating Group	570
Kit, Boom Auxiliary Hydraulic Lines, High Flow	794	Lever, Lever Kit, Air Suspension Heated Seat Components	458
Kit, Cab Vandal Protection (- 340456)	444	Lever, Operator Protection Guard (OPG) (340457 -)	440
Kit, Combo Line Arm	678	Lever, Pilot Control, Travel	650
Kit, Compressor Valve, Air Suspension Seat	458	Lever, Pilot Shutoff Lever	654
Kit, Compressor, Air Suspension Seat	458	Lever, Starter Shift-0-65-4HK1XASA02A-YA00028489	156
Kit, Direct Hydraulic Thumb (Kits Built 28 June 2010 -)	680	Lever, Starter Shift-0-65-4HK1XASA12A-YA00046929	250
Kit, Electric Solenoid Valve, 1 Way	710	Lever, Travel Pilot Control Valve	650
Kit, Electric Solenoid Valve, 2 Way	712	Lever, Travel Pilot Control Valve Lever	650
Kit, Engine Gasket-0-05-4HK1XASA02A-YA00028489	80	Light Bulb Floodlamp , Lamp, Batteries, Support and Cables (- 340883)	320
Kit, Engine Gasket-0-05-4HK1XASA12A-YA00046929	178	Light Bulb Floodlamp , Lamp, Batteries, Support, and Cables (340884 -)	322
Kit, Engine Rebuild Gasket-0-05-4HK1XASA02A-YA00028489	82	Light Bulb Floodlamp , Lamp, Boom Work Light, Halogen	330
Kit, Engine Rebuild Gasket-0-05-4HK1XASA12A-YA00046929	180	Light Bulb Floodlamp , Lamp, Boom Work Light, LED (340886 -)	344
Kit, Falling Object Protection	442	Light Bulb Floodlamp , Lamp, Cab Components, Cab Light, Antenna, and Speakers	396
Kit, Hydraulic Coupler	636	Light Bulb Floodlamp , Lamp, Front Cab Lights, LED (340886 -)	336
Kit, Hydraulic Filter Restriction Indicator	596	Light Bulb Floodlamp , Lamp, Rear Cab Lights, LED (340886 -)	340
Kit, Hydraulic Pump Seal	568	Light Bulb Floodlamp , Lamp, Toolbox Light, LED (340886 -)	348
Kit, Operator Protection Guard, Front (- 340456)	438	Light Wiring Harness, Cab Roof	434
Kit, Progressive Hydraulic Thumb (Kits Built 28 June 2010 -)	682	LIGHT, BOOM, Kit	330
Kit, Seal; Hydraulic Coupler Cylinder	638	Light, Dome	396
Kit, Seal, Hydraulic Pump Regulator (2)	574	Lights, Front	324
Kit, Seal, Hydraulic Pump Rotating Group	570	Line, Fuel Feed, Fuel Injection System-0-40-4HK1XASA02A-YA00028489	136
Kit, Seal, Left Boom Cylinder	800	Line, Fuel Feed, Fuel Injection System-0-40-4HK1XASA12A-YA00046929	234
Kit, Seal, Pilot Pump	576	Line, Fuel Pump-0-42-4HK1XASA02A-YA00028489	140
Kit, Seal, Right Boom Cylinder	802	Line, Fuel Pump-0-42-4HK1XASA12A-YA00046929	236
Kit, Seat Adjustment Cable, Air Suspension Seat	458	Line, Hydraulic Pilot (Pilot Signal Manifold To Swing Motor)	748
Kit, Seat, Air Suspension Seat	458	Line, Water Bypass Manifold-0-32-4HK1XASA02A-YA00028489	118
Kit, Seat, Mechanical Suspension Seat	452	Line, Water Bypass Manifold-0-32-4HK1XASA12A-YA00046929	216
Kit, Single Pedal Propel	658	Lines, Arm Auxiliary (High Flow) (2.42 m)	786
Knob, Cab Wiring Harness	358	Lines, Arm Auxiliary (High Flow) (2.91 m Arm) (- 340456)	788
		Lines, Attenuator	734
L		Lines, Boom Bottom	796
Label, Air Cleaner	282	Lines, Boom Bottom To Arm Hydraulic Cylinder Lines	780
Label, Decals and Labels, 1	316	Lines, Boom Bottom To Bucket Hydraulic Cylinder	780
Label, Electric Solenoid Valve Kit, 1 Way	710	Lines, Boom Cylinder To Boom Bottom Lines	732
Label, Hydraulic Control Kit, Variable Pin Grabber	642	Lines, Boom Cylinder To Control Valve	732
Label, Hydraulic Coupler Kit	636	Lines, Boom Hydraulic	780
Label, Label Kit, Hydraulic Coupler Kit	636	Lines, Boom Hydraulic (Auxiliary) (High Flow)	794
Label, Labels and Decals (2)	318	Lines, Boom To Control Valve	736
Label, Oil Level	594	LINES, CENTER JOINT TO RETURN LINES (- 340005)	724
Label, Single Pedal Propel (340457 -)	660	LINES, CENTER JOINT TO RETURN LINES (340006 -)	726

Alphabetical Index - Continued

	Page		Page
Lines, Control Valve to Boom	736	Machine Guidance Inclinometer, Arm	844
Lines, Control Valve To Cooling Package	730	Machine Guidance Inclinometer, Boom	846
Lines, Control Valve To Hydraulic Pump	722	Machine Guidance Inclinometer, Bucket	848
Lines, Control Valve To Oil Tank	728	Machine Guidance Monitor and Wiring Harness	838
LINES, CONTROL VALVE TO SWING DEVICE (- 340005)	724	Machine Guidance Wiring Harness, Cab	834
LINES, CONTROL VALVE TO SWING DEVICE (340006 -)	726	Machine Wiring Harness (- 340456)	350
Lines, Delivery	722	Machine Wiring Harness (340457 -)	352
Lines, Diesel Exhaust Fluid	302	Main Body High Flow Auxiliary Lines (- 340890)	782
LINES, DRAIN (CENTER JOINT, SWING DEVICE, CONTROL VALVE) (- 340005)	724	Main Body High Flow Auxiliary Lines (340891 -)	784
LINES, DRAIN (CENTER JOINT, SWING DEVICE, CONTROL VALVE) (340006 -)	726	Main Controller (MCZ)	378
Lines, Engine Oil Vacuum, To Timing Gear Case and Flywheel-0-52-4HK1XASA02A-YA00028489	146	Main Controller, Machine Guidance	840
Lines, Engine Oil Vacuum, To Timing Gear Case and Flywheel-0-52-4HK1XASA12A-YA00046929	242	Main Frame (- 340456)	382
LINES, FRONT	736	Main Frame (340457 -)	384
Lines, Fuel Injection System-0-40-4HK1XASA02A-YA00028489	132	MAIN FRAME BOOM FOOT PIN	388
Lines, Fuel Injection System-0-40-4HK1XASA12A-YA00046929	230	Manifold Air Temperature Sensor, Intercooler	278
Lines, Fuel Injection-0-40-4HK1XASA02A-YA00028489	134	Manifold, 0-27 Engine Exhaust Manifold	108, 206
Lines, Fuel Injection-0-40-4HK1XASA12A-YA00046929	232	Manifold, Exhaust, Engine-0-27-4HK1XASA02A-YA00028489	108
Lines, Fuel System	310	Manifold, Exhaust, Engine-0-27-4HK1XASA12A-YA00046929	206
Lines, Hydraulic Coupler Kit	636	Manifold, Hydraulic Control Kit, Variable Pin Grabber	642
Lines, Hydraulic Pump Attenuator	734	Manifold, Hydraulic Coupler Kit	636
Lines, Hydraulic Pump To Hydraulic Solenoid Valve	746	Manifold, Manifold Reman, Rotary Manifold Components	816
Lines, Hydraulic Pump To Pilot Signal Manifold	746	Manifold, Pilot Signal (Control Valve Side)	692
Lines, Oil Filter To Solenoid Valve	740	Manifold, Pilot Signal (Housing and Gaskets)	688
Lines, Oil Tank To Cooling Package	728	Manifold, Pilot Signal (Pilot Controller Side)	690
Lines, Oil Tank To Hydraulic Pump	720	Manifold, Pilot Signal (Valve Section)	694
Lines, Pilot (Hydraulic Pump To Pilot Signal Manifold)	746	Manifold, Pilot Signal, To Swing Motor Pilot Hydraulic Line	748
LINES, PILOT (PILOT SIGNAL MANIFOLD TO PROPEL PILOT VALVE) (- 340456)	770	Manifold, Rotary Manifold Components	816
Lines, Pilot (Pilot Signal Manifold To Right Pilot Controller) (- 340456)	762	Manifold, Rotary, Components	816
Lines, Pilot Shutoff Valve To Travel Pilot Valve (- 340456)	774	Manifold, Solenoid Valve	684
Lines, Pilot Signal Manifold To Hydraulic Pump	746	Manifold, Suction Lines	720
Lines, Pilot Signal Manifold To Right Pilot Controller (- 340456)	762	Manifold, Swing Motor Components	824
Lines, Pilot, Control Valve to Solenoid Valve (- 340504)	754	Manifold, Travel Motor Brake Valve Components	66
Lines, Pilot, Filter and Bypass Valve	740	Mat, Floor Mat	416
Lines, Pilot, Pilot Signal Manifold To Pilot Valve	664	Mat, Floor Mat, Auxiliary Hydraulics	418
Lines, Pilot, Pilot Valve To Pilot Signal Manifold	664	Mechanical Pattern Changer Kit	700
Lines, Pilot, Travel Pilot Valve To Pilot Shutoff Valve (- 340456)	774	Mechanical Suspension Seat (- 340456)	448
Lines, Return (Control Valve To Cooling Package)	730	Mechanical Suspension Seat (340457 -)	450
Lines, Right Pilot Controller To Pilot Signal Manifold (- 340456)	762	Mechanical Suspension Seat Components	452
Lines, Rotary Manifold To Control Valve	744	Mirror, Cab, Left	550
Lines, Solenoid Valve To Hydraulic Pump	740	Mirror, Cab, Left Rear View	550
Lines, Solenoid Valve To Oil Tank	740	Mirror, Rear View Mirror, Counterweight Mirror (- XXXXXX)	548
Lines, Suction	720	Mirror, Rear View Mirror, Left Rear View Mirror	550
LINES, SWING DEVICE TO RETURN LINES (- 340005)	724	Mirror, Rear View Mirror, Rear View Mirror Components	552
LINES, SWING DEVICE TO RETURN LINES (340006 -)	726	Mirror, Rear View Mirror, Toolbox	560
LINES, SWING MOTOR TO CONTROL VALVE	738	Module, 1-46 Diesel Exhaust Fluid (DEF) Supply Module and Dosing Injector	162, 256
Lines, Thermostat and Housing-0-31-4HK1XASA02A-YA00028489	114	Module, Aftertreatment (- 340098)	292
Lines, Thermostat and Housing-0-31-4HK1XASA12A-YA00046929	212	Module, Aftertreatment (340099 -)	294
Lines, Thermostat-0-31-4HK1XASA02A-YA00028489	116	Module, Diesel Exhaust Fluid (DEF) Lines	302
Lines, Thermostat-0-31-4HK1XASA12A-YA00046929	214	Monitor	364
Lines, Travel Motor Hydraulic	70	Monitor and Monitor Wiring Harness	364
Lines, Travel Motor Hydraulic (Long Carriage)	72	Monitor Bracket	364
Lines, Travel Pilot Valve To Pilot Shutoff Valve (- 340456)	774	Monitor Controller (DSZ)	376
Link, Arm	674	Monitor Dial Switch, Cab Wiring Harness	358
Link, Bucket	676	Monitor Wiring Harness	364
Link, Track Chain Assembly, Long Carriage	52	Motion Alarm Switch	558
Link, Track Chain Assembly, Standard	50	Motion Alarm Wire Harness	558
Lock Valve, Pilot	698	Motion Alarm, Buzzer	364
Lock, Cab Door	392	Motor Gearbox, Swing Components	826
Lock, Cab Door Window	392	Motor Mount, Swing	822
Lock, Cab Roof	402	Motor, Air Conditioner (A/C) and Heater Components	480
Lock, Cab Vandal Protection Kit (- 340456)	444	Motor, Blower Motor, Premium Seat Components (340571 -)	466
Lock, Windshield	406	Motor, Hydraulic Motor Reman, Swing Motor and Gear Case	822
Locking Arm, Hydraulic Coupler	638	Motor, Hydraulic Motor Reman, Swing Motor Components	824
Locking Plate, Hydraulic Coupler	638	Motor, Hydraulic Motor Reman, Travel Motor Components	64
Long Front Bucket, Super	628	Motor, Hydraulic Motor Reman, Travel Motor Gear Case Components	62
Long Front, Super, Ditching Bucket	632	Motor, Hydraulic Motor, Swing Motor and Gear Case	822
Lower Roller Guard	54	Motor, Hydraulic Motor, Travel Motor Components	64
Lower Roller, Track	42	Motor, Hydraulic Motor, Travel Motor Gear Case Components	62
Lower Track Roller	42	Motor, Propel	62, 74
Lubrication Lines	778	Motor, Starter Motor, 0-60 Engine Control Unit (ECU)	150
		Motor, Starter Motor, 0-60 Engine Electrical Control Parts	246
		Motor, Starter Motor, 0-65 Starter Components	156, 250
		Motor, Starter, Engine Electrical Control Parts-0-60-4HK1XASA02A-YA00028489	150
		Motor, Starter, Engine Electrical Control Parts-0-60-4HK1XASA12A-YA00046929	246
		Motor, Swing	822
		Motor, Swing Drive, Components	824
		Motor, Swing Motor and Gear Case	822
		Motor, Swing Motor Components	824
		Motor, Swing, To Control Valve Pilot Hydraulic Line	748
Machine Controller (BCZ)	358		

Alphabetical Index - Continued

<i>Page</i>	<i>Page</i>
Motor, Travel.....	62, 74
Motor, Travel Motor and Mounting.....	74
Motor, Travel, Components.....	64
Motor, Windshield Wiper.....	406
Motor, Wiper Motor, Cab Components, Windshield.....	406
Mounting Brackets, Control Valve.....	578
Mounting Hardware, Engine Wiring Harness-8-15-4HK1XASA02A-YA00028489.....	172
Mounting Hardware, Engine Wiring Harness-8-15-4HK1XASA12A-YA00046929.....	268
Mounting, Cab Floor Plate.....	412
Mounting, Cab Wiring Harness.....	360
Mounting, Cooling Package.....	276
Mounting, Engine.....	304
Mounting, Engine Electrical Control Parts-0-60-4HK1XASA02A-YA00028489.....	152
Mounting, Fan Motor-0-33-4HK1XASA02A-YA00028489.....	122
Mounting, Fan Motor-0-33-4HK1XASA12A-YA00046929.....	220
Mounting, Fan Shroud-1-10-4HK1XASA02A-YA00028489.....	160
Mounting, Fan Shroud-1-10-4HK1XASA12A-YA00046929.....	254
Mounting, Fuel Tank.....	306
Mounting, Hydraulic Oil Tank.....	592
Mounting, Hydraulic Pump.....	566
Mounting, Main Controller, MCZ.....	378
Mounting, Mounting Parts, Machine Guidance Monitor and Wiring Harness.....	838
Mounting, Propel Motor.....	74
Mounting, Radiator.....	276
Mounting, Radiator-1-10-4HK1XASA02A-YA00028489.....	160
Mounting, Radiator-1-10-4HK1XASA12A-YA00046929.....	254
Mounting, Rotary Manifold.....	814
Mounting, Surge Tank.....	280
Mounting, Swing Bearing.....	810
Mounting, Swing Device.....	820
Mounting, Travel Alarm.....	556
Mounting, Travel Motor.....	74
Mounting, ZXLink™ MTG (Field Kit).....	600
Mounts, Cab.....	408
MP3 Player Wiring Harness.....	564
MTG Assembly, ZXLink™ (Field Kit).....	600
Muffler, 1-50 Diesel Oxidation Catalyst (DOC) and Aftertreatment.....	164
Muffler, 1-50 Diesel Oxidation Catalyst (DOC) and Muffler.....	258
Muffler, 1-50 Selective Catalytic Reduction (SCR).....	166, 260
Muffler, Catalytic Muffler, 1-50 Diesel Oxidation Catalyst (DOC) and Aftertreatment.....	164
Muffler, Catalytic Muffler, 1-50 Exhaust System Bracket and Sensors.....	168
Muffler, Catalytic Muffler, 1-50 Selective Catalytic Reduction (SCR).....	166, 260
Muffler, Catalytic Muffler, Aftertreatment (- 340098).....	292
Muffler, Exhaust Pipe-1-50-4HK1XASA02A-YA00028489.....	164
Muffler, Exhaust Pipe-1-50-4HK1XASA12A-YA00046929.....	258
Muffler, Selective Catalytic Reduction-1-50-4HK1XASA02A-YA00028489.....	166
Muffler, Selective Catalytic Reduction-1-50-4HK1XASA12A-YA00046929.....	260
Multi-Function Pilot Control Lever Wiring Harness.....	362
N	
Needle, Needle Bearing, Swing Motor Gear Case Components.....	826
Needle, Needle Bearing, Travel Motor Components.....	64
Needle, Needle Bearing, Travel Motor Gear Case Components.....	62
Non Slip Cover, Fuel Tank.....	538
Non-Slip Covers (- 340021).....	540
Non-Slip Covers (340022 -).....	542
Non-Slip Fuel Tank Cover.....	538
Nozzle, Cab Components, Cab Light, Antenna, and Speakers.....	396
Nozzle, Fuel Injection System-0-40-4HK1XASA02A-YA00028489.....	132
Nozzle, Fuel Injection System-0-40-4HK1XASA12A-YA00046929.....	230
Nozzle, Windshield Washer.....	396
O	
O-Rings, Control Valve.....	582
Oil Check Valve, Engine Cylinder Block-0-12-4HK1XASA02A-YA00028489.....	90
Oil Check Valve, Engine Cylinder Block-0-12-4HK1XASA12A-YA00046929.....	188
Oil Cooler, Cooling Package.....	274
Oil Cooler, Engine-0-50-4HK1XASA02A-YA00028489.....	142
Oil Cooler, Engine-0-50-4HK1XASA12A-YA00046929.....	238
Oil Drain Cover (- 340456).....	534
Oil Drain Pipe, Turbocharger-0-36-4HK1XASA02A-YA00028489.....	126
Oil Drain Pipe, Turbocharger-0-36-4HK1XASA12A-YA00046929.....	224
Oil Fill, Swing Motor.....	822
Oil Filter Lines to Solenoid Valve.....	740
Oil Filter Lines, Engine.....	314
Oil Filter, Engine.....	314
Oil Filter, Hydraulic.....	740
Oil Filter, Pilot, Components.....	742
Oil Pressure Sensor, Engine Oil Cooler-0-50-4HK1XASA02A-YA00028489.....	142
Oil Pressure Sensor, Engine Oil Cooler-0-50-4HK1XASA12A-YA00046929.....	238
Oil Pressure Switch, Engine Electrical Control Parts-0-60-4HK1XASA02A-YA00028489.....	150
Oil Pressure Switch, Engine Electrical Control Parts-0-60-4HK1XASA12A-YA00046929.....	246
Oil Relief Valve, Engine Cylinder Block-0-12-4HK1XASA02A-YA00028489.....	90
Oil Relief Valve, Engine Cylinder Block-0-12-4HK1XASA12A-YA00046929.....	188
Oil Reservoir, Hydraulic.....	594
Oil Strainer, Engine-0-51-4HK1XASA02A-YA00028489.....	144
Oil Strainer, Engine-0-51-4HK1XASA12A-YA00046929.....	240
Oil Tank Lines To Control Valve.....	728
Oil Tank Lines To Cooling Package.....	728
Oil Tank Lines To Hydraulic Pump.....	720
Oil Tank Mounting.....	592
Oil Tank, Hydraulic.....	594
Oil Vacuum Lines To Timing Gear Case and Flywheel, Engine-0-52-4HK1XASA02A-YA00028489.....	146
Oil Vacuum Lines To Timing Gear Case and Flywheel, Engine-0-52-4HK1XASA12A-YA00046929.....	242
Operator Protection Guard (OPG) (- 340456).....	438
Operator Protection Guard (OPG) (340457 -).....	440
Operator Protection Guard, Front (- 340456).....	438
Optional Switch Connector Wiring Harness.....	558
Outer Filter Element, Air Cleaner.....	282
Overhaul Gasket Set-0-05-4HK1XASA02A-YA00028489.....	80
Overhaul Gasket Set-0-05-4HK1XASA12A-YA00046929.....	178
Oxidation Catalyst, Diesel-1-50-4HK1XASA02A-YA00028489.....	164
Oxidation Catalyst, Diesel-1-50-4HK1XASA12A-YA00046929.....	258
P	
Pad, Air Suspension Seat Components.....	458
Pan, Oil-0-13-4HK1XASA02A-YA00028489.....	94
Pan, Oil-0-13-4HK1XASA12A-YA00046929.....	192
Panel, Access (- 340456).....	534
Panel, Engine Compartment.....	530
Panel, Front, Cooling Package Compartment (- XXXXXX).....	522
Panel, Front, Cooling Package Compartment (XXXXXX -).....	524
Panel, Front, Hydraulic Pump Compartment (- XXXXXX).....	522
Panel, Front, Hydraulic Pump Compartment (XXXXXX -).....	524
Panels, Cooling Package Compartment.....	526
Panels, Hydraulic Pump Compartment.....	528
Panels, Storage Compartment (- 340456).....	504
Pattern Changer (- 340456).....	702
Pattern Changer (340457 -).....	704
Pattern Changer Hoses (340457 -).....	706
Pattern Changer Kit, Mechanical.....	700
Pattern Changer Mounting (- 340456).....	702
Pedal Propel Kit, Single.....	658
Pedal, Single Pedal Propel (340457 -).....	660
Pedal, Single Pedal Propel Kit.....	658
Pedal, Travel Pilot Control Pedals.....	648
Pedal, Two-Way Auxiliary Foot Pedal.....	662
Pilot Control Handle, Left.....	656
Pilot Control Lever Relay.....	358
Pilot Control Lever Wiring Harnesses and Relays.....	362
Pilot Control Valve Components.....	646
Pilot Control Valve Components, Auxiliary.....	666
Pilot Controller Side, Pilot Signal Manifold.....	690
Pilot Controllers.....	644
Pilot Controllers, Machine Guidance.....	852
Pilot Lines (Hydraulic Pump To Pilot Signal Manifold).....	746
Pilot Lines, Control Valve To Pilot Signal Manifold (- 340456).....	750
Pilot Lines, Control Valve To Pilot Signal Manifold (340457 -).....	752
Pilot Lines, Control Valve To Rotary Manifold.....	744
Pilot Lines, Control Valve to Solenoid Valve (- 340504).....	754
Pilot Lines, Control Valve to Solenoid Valve (340505 -).....	756

Alphabetical Index - Continued

Page	Page
Pilot Lines, Filter and Bypass Valve	740
Pilot Lines, Pilot Signal Manifold to Left Pilot Controller (- 340456) ..	758
Pilot Lines, Pilot Signal Manifold to Left Pilot Controller (340457 -) ..	760
Pilot Lines, Pilot Signal Manifold To Pilot Shutoff Valve (- 340456) ..	766
Pilot Lines, Pilot Signal Manifold To Pilot Shutoff Valve (340457 -) ..	768
Pilot Lines, Pilot Signal Manifold to Right Pilot Controller (- 340456) ..	762
Pilot Lines, Pilot Signal Manifold to Right Pilot Controller (340457 -) ..	764
Pilot Lines, Pilot Signal Manifold To Swing Motor	748
Pilot Lines, Pilot Signal Manifold to Travel Pilot Valve (- 340456) ..	770
Pilot Lines, Pilot Signal Manifold to Travel Pilot Valve (340457 -) ..	772
Pilot Lines, Travel Pilot Valve To Pilot Shutoff Valve (- 340456) ..	774
Pilot Lines, Travel Pilot Valve To Pilot Shutoff Valve (340457 -) ..	776
Pilot Oil Filter Components	742
Pilot Pressure Regulating Valve Shim Kit	740
Pilot Pump Components	576
Pilot Pump, Main Hydraulic Pump	568
Pilot Shutoff Lever	654
Pilot Shutoff Solenoid Valve Components	698
Pilot Shutoff Valve (- 340456)	774
Pilot Shutoff Valve Components	698
Pilot Shutoff Valve To Travel Pilot Valve Pilot Hydraulic Lines (- 340456) ..	774
Pilot Shutoff Valve Wiring Harness, Cab Wiring Harness	358
Pilot Signal Manifold Lines To Hydraulic Pump	746
Pilot Signal Manifold Pilot Lines To Right Pilot Controller (- 340456) ..	762
PILOT SIGNAL MANIFOLD TO PROPEL PILOT VALVE PILOT HYDRAULIC LINES (- 340456) ..	770
Pilot Signal Manifold To Swing Motor Hydraulic Pilot Line	748
Pilot Signal Manifold Valves	696
Pilot Signal Manifold, Control Valve Side	692
Pilot Signal Manifold, Housing and Gaskets	688
Pilot Signal Manifold, Pilot Controller Side	690
Pilot Signal Manifold, Valve Section	694
Pilot Solenoid Valve Kit, 1 Way	710
Pilot Solenoid Valve Kit, 2 Way	712
Pin Fastener, Main Frame (- 340456)	382
PIN, BOOM FOOT	388
Pin, Swing Bearing Mounting	810
Pin, Track Chain Assembly, Long Carriage	52
Pin, Track Chain Assembly, Standard	50
Pinion, Planet Pinion Carrier, Swing Motor Gear Case Components ..	826
Pinion, Planet Pinion Carrier, Travel Motor Gear Case Components ..	62
PINS, BOOM	668
Pins, Crankshaft-0-15-4HK1XASA02A-YA00028489	100
Pins, Crankshaft-0-15-4HK1XASA12A-YA00046929	198
Pipe and Silencer, Exhaust-1-50-4HK1XASA02A-YA00028489	164
Pipe and Silencer, Exhaust-1-50-4HK1XASA12A-YA00046929	258
Pipe, Exhaust, Aftertreatment (- 340098)	292
Pipe, Fuel Pump-0-42-4HK1XASA02A-YA00028489	140
Pipe, Fuel Pump-0-42-4HK1XASA12A-YA00046929	236
Pipe, Left, Main Frame (- 340456)	382
Pipe, Oil Drain, Turbocharger-0-36-4HK1XASA02A-YA00028489	126
Pipe, Oil Drain, Turbocharger-0-36-4HK1XASA12A-YA00046929	224
Pipe, Right, Main Frame (- 340456)	382
Piping, Air Cleaner	290
Piston, 0-15 Crankshaft, Pistons, and Flywheel	100, 198
Piston, Arm Cylinder Components	804
Piston, Auxiliary Pilot Control Valve Components	666
Piston, Bucket Cylinder Components	806
Piston, Hydraulic Pump Regulator 1 Components	572
Piston, Hydraulic Pump Regulator 2 Components	574
Piston, Hydraulic Pump Rotating Group	570
Piston, Hydraulic Thumb Kit Cylinder Components (Kits Built 28 June 2010 -) ..	808
Piston, Left Boom Cylinder Components	800
Piston, Pilot Control Valve Components	646
Piston, Piston Ring, 0-15 Crankshaft, Pistons, and Flywheel	100, 198
Piston, Piston Ring, Arm Cylinder Components	804
Piston, Right Boom Cylinder Components	802
Piston, Solenoid Valve Components, Auxiliary Function	718
Piston, Swing Motor Components	824
Piston, Travel Motor	64
Piston, Travel Motor Components	64
Piston, Travel Motor Crossover Relief Valve Components	68
Pistons, Crankshaft-0-15-4HK1XASA02A-YA00028489	100
Pistons, Crankshaft-0-15-4HK1XASA12A-YA00046929	198
Plate, Locking; Hydraulic Coupler	638
Plate, Travel Motor Cover	76
Plug Kit	598
Plumbing, Cooling, Turbocharger-0-36-4HK1XASA02A-YA00028489	130
Plumbing, Cooling, Turbocharger-0-36-4HK1XASA12A-YA00046929	228
Plunger, Swing Motor Components	824
Poppet Valve, Solenoid; Hydraulic Coupler Kit	636
Power Converter, 12 V	502
Power Supply Wiring Harness (340457 -)	368
Precleaner (340457 -)	286
Precleaner Plate (340457 -)	288
Precleaner, Precleaner (340457 -)	286
Premium Seat (340571 -)	464
Premium Seat Components (340571 -)	466
Pressure Reducing Valve, Electric Solenoid Valve Kit, 1 Way	710
Pressure Reducing Valve, Two-Way Auxiliary Hydraulic Kit	712
Pressure Relief Valve, Engine Oil Cooler-0-50-4HK1XASA02A-YA00028489	142
Pressure Relief Valve, Engine Oil Cooler-0-50-4HK1XASA12A-YA00046929	238
Pressure Relief Valve, Hi-Flow	714
PRESSURE RELIEF VALVE, SWING MOTOR	824
Pressure Sensor, Front Attach	748
Pressure Valve, Return Lines	728
Progressive Hydraulic Thumb Kit (Kits Built 28 June 2010 -)	682
Progressive Hydraulic Thumb Kit (Kits Built 28 June 2010 -)	682
Propel Kit, Single Pedal	658
Propel Motor	74
Propel Motor Brake Valve	64
Propel Motor Brake Valve Components	66
Propel Motor Components	64
Propel Motor Cover	76
Propel Motor Hydraulic Lines	70
Propel Motor Hydraulic Lines (Long Carriage)	72
Propel Motor Mounting	74
Propel Motor, Gear Case	62
PROPEL PILOT VALVE TO PILOT SIGNAL MANIFOLD PILOT HYDRAULIC LINES (- 340456) ..	770
Protection Guard, Operator, Front (- 340456)	438
Pulley, 0-15 Crankshaft, Pistons, and Flywheel	100, 198
Pulley, 0-66 Alternator Components	158, 252
Pulley, Air Conditioner Refrigerant Hose and Compressor Belt (- 340003) ..	484
Pulley, Air Conditioner Refrigerant Hose and Compressor Belt (340004 -) ..	486
Pulley, Alternator-0-66-4HK1XASA02A-YA00028489	158
Pulley, Alternator-0-66-4HK1XASA12A-YA00046929	252
Pulley, Compressor, Air Conditioner (- 340003)	484
Pulley, Crankshaft-0-15-4HK1XASA02A-YA00028489	100
Pulley, Crankshaft-0-15-4HK1XASA12A-YA00046929	198
Pump Components, Water-0-30-4HK1XASA02A-YA00028489	112
Pump Components, Water-0-30-4HK1XASA12A-YA00046929	210
Pump Delivery Pressure Sensor	570
Pump Mounting	566
Pump Rotating Group	570
Pump Wiring Harness, Machine Wiring (- 340456)	350
Pump, 0-40 Fuel Injection Pump and Support	234
Pump, 0-40 Fuel Injection System	132, 230
Pump, 0-40 Fuel Injection System Support	136
Pump, Engine Oil-0-51-4HK1XASA02A-YA00028489	144
Pump, Engine Oil-0-51-4HK1XASA12A-YA00046929	240
Pump, Fuel Injection Support System-0-40-4HK1XASA02A-YA00028489	136
Pump, Fuel Injection Support System-0-40-4HK1XASA12A-YA00046929	234
Pump, Fuel Injection-0-40-4HK1XASA02A-YA00028489	132
Pump, Fuel Injection-0-40-4HK1XASA12A-YA00046929	230
Pump, Fuel Pump, Fuel System Hoses	310
Pump, Fuel System Hoses	310
Pump, Hydraulic	568
Pump, Hydraulic Pump Components	568
Pump, Hydraulic Pump Reman, Hydraulic Pump Components	568
Pump, Hydraulic Pump Reman, Hydraulic Pump Rotating Group	570
Pump, Hydraulic Pump, Hydraulic Pump Components	568
Pump, Hydraulic, Rotating Group	570
Pump, Oil Pump, 0-51 Engine Oil Pump And Strainer	144, 240
Pump, Pilot Components	576
Pump, Pilot Pump Components	576
Pump, Pump Kit, Two Pump Combined Flow Kit	798
Pump, Water Pump, 0-30 Water Pump	112, 210
Pump, Water-0-30-4HK1XASA02A-YA00028489	112
Pump, Water-0-30-4HK1XASA12A-YA00046929	210
Pump, Window Washer Reservoir	432

Alphabetical Index - Continued

	Page		Page
R			
Race, Swing Bearing	812	Reman, Hydraulic Cylinder Reman, Bucket Cylinder Components...	806
Radiator Hoses	276	Reman, Hydraulic Cylinder Reman, Left Boom Cylinder Components	800
Radiator Mounting	276	Reman, Hydraulic Cylinder Reman, Right Boom Cylinder Components	802
Radiator Mounting-1-10-4HK1XASA02A-YA00028489	160	Reman, Hydraulic Motor Reman, Swing Motor and Gear Case	822
Radiator Mounting-1-10-4HK1XASA12A-YA00046929	254	Reman, Hydraulic Motor Reman, Swing Motor Components	824
Radiator Supports-1-10-4HK1XASA02A-YA00028489	160	Reman, Hydraulic Motor Reman, Travel Motor Components	64
Radiator Supports-1-10-4HK1XASA12A-YA00046929	254	Reman, Hydraulic Motor Reman, Travel Motor Gear Case Components	62
Radiator Top Cover	520	Reman, Hydraulic Pump Reman, Hydraulic Pump Components	568
Radiator, Cooling Package	274	Reman, Hydraulic Pump Reman, Hydraulic Pump Rotating Group ..	570
Radiator, Fuel System	310	Reman, Left Boom Cylinder Components	800
Radiator, Radiator Hose, Cooling Package Hoses	276	Reman, Manifold Reman, Rotary Manifold Components	816
Radio	546	Reman, Multi-Func Controller Reman, ZXLink™ MTG Assembly	600
Radio Antenna	396	Reman, Right Boom Cylinder Components	802
Radio Power and Volume Switch, Cab Wiring Harness	358	Reman, Swing Bearing Reman, Swing Bearing	812
Radio Speakers	396	Reservoir, Hydraulic Oil	594
Radio Tuning Switch, Cab Wiring Harness	358	Reservoir, Hydraulic Reservoir, Hydraulic Oil Reservoir	594
Radio, Radio Kit, Radio	546	Reservoir, Window Washer	432
Rail, Fuel Injection Lines-0-40-4HK1XASA02A-YA00028489	134	Reservoir, Window Washer Reservoir	432
Rail, Fuel Injection Lines-0-40-4HK1XASA12A-YA00046929	232	Resistor, Air Conditioner (A/C) and Heater Components	480
Rail, Fuel Rail, 0-40 Fuel Injection Lines	134, 232	Restriction Indicator Kit, Hydraulic Filter	596
Rail, Fuel Rail, 0-40 Fuel Injection System	132, 230	Retainer, 0-66 Alternator Components	158, 252
Rain Visor Support	436	Retainer, Cab Components, Sunroof, Shade, and Headliner	402
Rear Cab Lights, LED (340457 - 340885)	338	Retainer, Control Valve End Caps, 4-Spool Side	586
Rear Cab Lights, LED (340886 -)	340	Retainer, Cooling Package Top Covers	520
Rear Camera	562	Retainer, Engine Cover	532
Rear Tray	430	Retainer, Hydraulic Coupler Components	638
Rear View Mirror Components	552	Retainer, Swing Motor Components	824
Rear View Mirror, Left	550	Retainer, Track Frame Bottom Cover (- 340456)	56
Receiver Dryer, Receiver-Dryer, Air Conditioner (A/C) Condenser Components	492	Retainer, Travel Motor Components	64
Receiver-Dryer, Air Conditioner (A/C) Condenser Components	492	Return Lines (Control Valve To Cooling Package)	730
Reducer, Combo Line Arm Kit	678	RETURN LINES TO CENTER JOINT (- 340005)	724
Reflector, Decals and Labels, 1	316	RETURN LINES TO CENTER JOINT (340006 -)	726
Refrigerant Hose, Air Conditioner (- 340003)	484	RETURN LINES TO SWING DEVICE (- 340005)	724
Regulator (2) Components, Hydraulic Pump	574	RETURN LINES TO SWING DEVICE (340006 -)	726
Regulator, Hydraulic Pump	568	Return Lines, Control Valve to Cooling Package	730
Regulator, Voltage, Alternator-0-66-4HK1XASA02A-YA00028489 ..	158	Return Lines, Control Valve To Hydraulic Oil Tank	728
Regulator, Voltage, Alternator-0-66-4HK1XASA12A-YA00046929 ..	252	Right Boom Cylinder	802
Relay, 0-60 Engine Control Unit (ECU)	150	Right Boom Cylinder Components	802
Relay, 0-60 Engine Electrical Control Parts	246	Right Boom Cylinder Seal Kit	802
Relay, 8-25 Battery Relay	174, 270	Right Pilot Controller Pilot Lines To Pilot Signal Manifold (- 340456)	762
Relay, Air Conditioner (A/C) and Heater Components	480	Right Pilot Controller To Pilot Signal Manifold Hydraulic Pilot Lines (- 340456)	762
Relay, Air Suspension Seat Heater Switch and Wiring Harness (- XXXXXX)	460	Rim, Front Cab Lights, Halogen	326
Relay, Auxiliary Function Lever and Lines	716	Rim, Front Lights	324
Relay, Batteries, Support and Cables (- 340883)	320	Rod, Arm Cylinder Components	804
Relay, Batteries, Support, and Cables (340884 -)	322	Rod, Batteries, Support and Cables (- 340883)	320
Relay, Battery (- 340883)	320	Rod, Bucket Cylinder Components	806
Relay, Cab Headlamp Wiring Harness	328	Rod, Cab Components, Door	392
Relay, Cab Wiring Harness	358	Rod, Connecting Rod, 0-15 Crankshaft, Pistons, and Flywheel	100, 198
Relay, Engine Electrical Control Parts-0-60-4HK1XASA12A-YA00046929	246	Rod, Crankshaft-0-15-4HK1XASA02A-YA00028489	100
Relay, Front Cab Lights, LED (340457 - 340885)	334	Rod, Crankshaft-0-15-4HK1XASA12A-YA00046929	198
Relay, Front Cab Lights, LED (340886 -)	336	Rod, Hyd Cylinder Rod Reman, Bucket Cylinder Components	806
Relay, Machine Wiring Harness (- 340456)	350	Rod, Hydr. Cylinder Rod Guide, Arm Cylinder Components	804
Relay, Machine Wiring Harness (340457 -)	352	Rod, Hydr. Cylinder Rod Guide, Bucket Cylinder Components	806
Relay, Pilot Control Lever	362	Rod, Hydr. Cylinder Rod Guide, Hydraulic Thumb Kit Cylinder Components (Kits Built 28 June 2010 -)	808
Relay, Pilot Control Lever Wiring Harnesses and Relays	362	Rod, Hydr. Cylinder Rod Guide, Left Boom Cylinder Components	800
Relay, Power Control Lever	358	Rod, Hydr. Cylinder Rod Guide, Right Boom Cylinder Components ..	802
Relay, Rear Cab Lights, LED (340457 - 340885)	338	Rod, Hydraulic Cylinder Rod, Arm Cylinder Components	804
Relay, Rear Cab Lights, LED (340886 -)	340	Rod, Hydraulic Cylinder Rod, Bucket Cylinder Components	806
Relay, Seat Heater Wiring Harness	474	Rod, Hydraulic Cylinder Rod, Hydraulic Thumb Kit Cylinder Components (Kits Built 28 June 2010 -)	808
Release Lever, Door Catch	394	Rod, Left Boom Cylinder Components	800
Relief Valve (Hi-Flow)	714	Rod, Right Boom Cylinder Components	802
RELIEF VALVE, SWING MOTOR	824	Rod, Solenoid Valve Components, Auxiliary Function	718
RELIEF VALVE, TRAVEL MOTOR BRAKE VALVE (COMPONENTS)	68	Rod, Track Chain Adjuster	44
Relief Valve, Travel Motor Crossover	66	Roller, Bottom Roller, Lower Track Roller	42
Relief Valve, Travel Motor Crossover Components	68	Roller, Cab Components, Windshield	406
REMAN HYDRAULIC PROPEL MOTOR	62	Roller, Carrier Roller	40
Reman Hydraulic Propel Motor Components	64	Roller, Carrier Roller, Carrier Roller	40
Reman Rotary Manifold	816	Roller, Carrier Roller, Travel Motor Gear Case Components	62
REMAN SWING BEARING	812	ROLLER, CARRIER TRACK	40
Reman Swing Motor	822	Roller, Cylindrical Roller Bearing, Swing Motor Components	824
Reman Travel Motor	62	Roller, Cylindrical Roller Bearing, Swing Motor Gear Case Components	826
Reman, Hyd Cylinder Barrel Reman, Left Boom Cylinder Components	800	ROLLER, LOWER GUARD	54
Reman, Hyd Cylinder Barrel Reman, Right Boom Cylinder Components	802	Roller, Lower Track	42
Reman, Hyd Cylinder Rod Reman, Bucket Cylinder Components	806	Roller, Lower Track Roller	42
Reman, Hydraulic Cylinder Reman, Arm Cylinder Components	804		

Alphabetical Index - Continued

Page	Page
Roller, Spherical Roller Bearing, Hydraulic Pump Rotating Group.....	570
Roller, Swing Bearing.....	812
Roller, Travel Motor Components.....	64
Roof Lights Wiring Harness.....	434
Roof, Cab.....	402
Rotary Manifold Components.....	816
Rotary Manifold Lines To Control Valve.....	744
Rotary Manifold Mounting.....	814
Rotary Manifold Seal and Swing Stop.....	818
Rotary Valve Components.....	708
Rotating Group, Hydraulic Pump.....	570
Rotor, Alternator-0-66-4HK1XASA02A-YA00028489.....	158
Rotor, Alternator-0-66-4HK1XASA12A-YA00046929.....	252
Rotor, Hydraulic Pump Rotating Group.....	570
Rotor, Travel Motor Components.....	64
Rubber, Counterweight.....	386
S	
Seal Kit, Hydraulic Coupler Cylinder.....	638
Seal Kit, Hydraulic Pump.....	568
SEAL KIT, HYDRAULIC PUMP REGULATOR (2).....	574
Seal Kit, Hydraulic Pump Rotating Group.....	570
Seal Kit, Hydraulic Thumb Kit Cylinder (Kits Built 28 June 2010 -).....	808
Seal Kit, Left Boom Cylinder.....	800
Seal Kit, Pilot Pump.....	576
Seal Kit, Right Boom Cylinder.....	802
Seal, Cab Door.....	392
Seal, Cab Window.....	392
Seal, Swing Bearing Mounting.....	810
Sealing Trim, Hydraulic Compartment Doors (- XXXXXX).....	522
Sealing Trim, Hydraulic Compartment Doors (XXXXXX -).....	524
Sealing Trim, Radiator Top Cover.....	520
Seat Adjustment Cable Kit, Air Suspension Seat.....	458
Seat Base Cover.....	472
Seat Belt, Air Suspension Heated Seat (- 340456).....	454
Seat Belt, Air Suspension Heated Seat (340457 -).....	456
Seat Belt, Mechanical Suspension Seat (- 340456).....	448
Seat Components, Mechanical Suspension.....	452
Seat Heater Wiring Harness.....	474
Seat Kit, Air Suspension Seat.....	458
Seat Kit, Mechanical Suspension Seat.....	452
Seat Mounting Hardware.....	468
Seat Stand.....	470
Seat Suspension, Mechanical.....	452
Seat, Air Spring Seat Kit, Air Suspension Heated Seat Components.....	458
Seat, Air Spring Seat Kit, Premium Seat Components (340571 -).....	466
Seat, Air Suspension Heated Seat Components.....	458
Seat, Air Suspension Seat (Heated) Components.....	458
Seat, Air Suspension Seat, Heated (- 340456).....	454
Seat, Air Suspension, Heated (- 340456).....	454
Seat, Air Suspension, Heated (340457 -).....	456
Seat, Mechanical Suspension (- 340456).....	448
Seat, Mechanical Suspension Seat (- 340456).....	448
Seat, Mechanical Suspension Seat (340457 -).....	450
Seat, Mechanical Suspension Seat Components.....	452
Seat, Premium Seat Components (340571 -).....	466
Seat, Seat Adjustment Cable Kit, Air Suspension Heated Seat Components.....	458
Seat, Seat Adjustment Cable Kit, Mechanical Suspension Seat Components.....	452
Seat, Seat Assembly, Mechanical Suspension Seat Components.....	452
Seat, Seat Assembly, Premium Seat (340571 -).....	464
Seat, Seat Assembly, Premium Seat Components (340571 -).....	466
Seat, Seat Back, Air Suspension Heated Seat Components.....	458
Seat, Seat Back, Mechanical Suspension Seat Components.....	452
Seat, Seat Back, Premium Seat Components (340571 -).....	466
Seat, Seat Belt, Air Suspension Seat, Heated (- 340456).....	454
Seat, Seat Belt, Air Suspension Seat, Heated (340457 -).....	456
Seat, Seat Belt, Mechanical Suspension Seat (- 340456).....	448
Seat, Seat Belt, Mechanical Suspension Seat (340457 -).....	450
Seat, Seat Belt, Premium Seat (340571 -).....	464
Seat, Seat Height Switch Kit, Premium Seat Components (340571 -).....	466
Seat, Seat Kit, Air Suspension Heated Seat Components.....	458
Seat, Seat Kit, Premium Seat Components (340571 -).....	466
Seat, Seat Shock Absorber Kit, Premium Seat Components (340571 -).....	466
Seat, Seat Slide Track Kit, Premium Seat Components (340571 -).....	466
Seat, Seat Slide Track Kit, Seat Stand.....	470
Seat, Seat Suspension Boot Kit, Air Suspension Heated Seat Components.....	458
Seat, Seat Suspension Boot Kit, Mechanical Suspension Seat Components.....	452
Seat, Seat Suspension Boot Kit, Premium Seat Components (340571 -).....	466
Seat, Seat Suspension, Air Suspension Heated Seat Components.....	458
Seat, Seat Suspension, Air Suspension Seat, Heated (340457 -).....	456
Seat, Seat Suspension, Mechanical Suspension Seat Components.....	452
Seat, Seat Suspension, Premium Seat Components (340571 -).....	466
Seat, Travel Motor Brake Valve Components.....	66
Seat, Valve Seat, 0-11 Engine Cylinder Head.....	88, 186
Seat, Valve Seat, 0-14 Engine Camshaft And Valves.....	96, 194
Seat, Valve Seat, Control Valve Body and Spools, 4-Spool Side.....	584
Seat, Valve Seat, Control Valve Body and Spools, 5-Spool Side.....	588
Seat, Valve Seat, Pilot Signal Manifold Valves.....	696
Sender, Fuel Temperature Sensor, 0-40 Fuel Injection Pump and Support.....	234
Sender, Fuel Temperature Sensor, 0-40 Fuel Injection System Support.....	136
Sender, Sensor, 0-13 Oil Pan And Level Gauge.....	94, 192
Sender, Sensor, 0-14 Engine Camshaft And Valve Support.....	98, 196
Sender, Sensor, 0-20 Flywheel Housing and Support.....	104, 202
Sender, Sensor, 0-25 Engine Air Intake Manifold.....	106, 204
Sender, Sensor, 0-40 Fuel Injection Lines.....	134, 232
Sender, Sensor, 0-40 Fuel Injection System.....	132, 230
Sender, Sensor, 0-57 Exhaust Gas Recirculation (EGR).....	148, 244
Sender, Sensor, 0-60 Engine Control Unit (ECU).....	150
Sender, Sensor, 0-60 Engine Electrical Control Parts.....	246
Sender, Sensor, 1-46 Diesel Exhaust Fluid (DEF) Supply Module and Dosing Injector.....	162, 256
Sender, Sensor, Aftertreatment (- 340098).....	292
Sender, Sensor, Aftertreatment (340099 -).....	294
Sender, Sensor, Air Conditioner (A/C) and Heater Components.....	480
Sender, Sensor, Air Conditioner (A/C) Solar Sensor.....	500
Sender, Sensor, Air Conditioning Compressor, Condenser and Sensor.....	488
Sender, Sensor, Auxiliary Function Lever and Lines.....	716
Sender, Sensor, Hydraulic Oil Reservoir.....	594
Sender, Sensor, Hydraulic Pump Regulator 1 Components.....	572
Sender, Sensor, Hydraulic Pump Regulator 2 Components.....	574
Sender, Sensor, Hydraulic Pump Rotating Group.....	570
Sender, Sensor, Intercooler Hoses.....	278
Sender, Sensor, Laser Sensor and Wiring Harness, Machine Guidance.....	850
Sender, Sensor, Machine Wiring Harness (- 340456).....	350
Sender, Sensor, Machine Wiring Harness (340457 -).....	352
Sender, Sensor, Main Body High Flow Auxiliary Lines (- 340890).....	782
Sender, Sensor, Main Body High Flow Auxiliary Lines (340891 -).....	784
Sender, Sensor, Pilot Lines, Control Valve To Pilot Signal Manifold (- 340456).....	750
Sender, Sensor, Pilot Lines, Control Valve To Pilot Signal Manifold (340457 -).....	752
Sender, Sensor, Pilot Lines, Pilot Signal Manifold To Swing Motor.....	748
Sender, Sensor, Two Pump Combined Flow Kit.....	798
Sender, Temperature Sensor, 1-50 Exhaust System Bracket and Sensors.....	168
Sender, Temperature Sensor, Aftertreatment (- 340098).....	292
Sender, Temperature Sensor, Aftertreatment (340099 -).....	294
Sending Unit, Fuel Tank Level.....	308
Sensor Sender, Pressure Switch, 0-40 Fuel Injection Lines.....	134, 232
Sensor Sender, Pressure Switch, 0-40 Fuel Injection System.....	132, 230
Sensor Sender, Pressure Switch, Air Conditioner Compressor and Condenser Hoses (- 340456).....	494
Sensor Sender, Pressure Switch, Air Conditioner Compressor and Condenser Hoses (340457 -).....	496
Sensor Sender, Seat Height Switch Kit, Premium Seat Components (340571 -).....	466
Sensor Sender, Switch Kit, Premium Seat Components (340571 -).....	466
Sensor Sender, Switch, 0-60 Engine Control Unit (ECU).....	150
Sensor Sender, Switch, 0-60 Engine Electrical Control Parts.....	246
Sensor Sender, Switch, Air Suspension Seat Heater Switch and Wiring Harness (- XXXXXX).....	460
Sensor Sender, Switch, Air Suspension Seat Heater Switch and Wiring Harness (XXXXXX -).....	462
Sensor Sender, Switch, Auxiliary Function Lever and Lines.....	716
Sensor Sender, Switch, Batteries, Support and Cables (- 340883).....	320
Sensor Sender, Switch, Batteries, Support, and Cables (340884 -).....	322
Sensor Sender, Switch, Cab Components, Cab Light, Antenna, and Speakers.....	396
Sensor Sender, Switch, Cab Components, Windshield.....	406
Sensor Sender, Switch, Cab Wiring Harness.....	358
Sensor Sender, Switch, Electric Solenoid Valve Kit, 1 Way.....	710

Alphabetical Index - Continued

Page	Page		
Sensor Sender , Switch, Engine Stop Switch.....	372	Sensor, Temperature Sensor, Aftertreatment (340099 -).....	294
Sensor Sender , Switch, Key Start Switch.....	370	Sensor, Temperature, Aftertreatment (- 340098).....	292
Sensor Sender , Switch, Left Pilot Control Handle Kit.....	656	Sensor, Temperature, Air Conditioner.....	488
Sensor Sender , Switch, Pilot Control Lever Wiring Harnesses and Relays.....	362	Sensor, Temperature, Exhaust Gas Recirculation (EGR)-0-57-4HK1XASA02A-YA00028489.....	148
Sensor Sender , Switch, Pilot Shutoff Lever.....	654	Sensor, Temperature, Exhaust Gas Recirculation (EGR)-0-57-4HK1XASA12A-YA00046929.....	244
Sensor Sender , Switch, Rear Cab Lights, LED (340457 - 340885).....	338	Sensor, Temperature, Hydraulic Oil Reservoir.....	594
Sensor Sender , Switch, Rear Cab Lights, LED (340886 -).....	340	Sensor, Two Pump Combined Flow Kit.....	798
Sensor Sender , Switch, Surge Tank.....	280	Sensors, DPD, Exhaust System-1-50-4HK1XASA02A-YA00028489.....	168
Sensor Sender , Switch, Travel Motion Alarm Switch and Wiring Harness.....	558	Shaft, 0-14 Engine Camshaft And Valve Support.....	98, 196
Sensor, 0-13 Oil Pan And Level Gauge.....	94, 192	Shaft, 0-65 Starter Components.....	156, 250
Sensor, 0-14 Engine Camshaft And Valve Support.....	98, 196	Shaft, Air Conditioner (A/C) and Heater Components.....	480
Sensor, 0-20 Flywheel Housing and Support.....	104, 202	Shaft, Auxiliary Function Lever and Lines.....	716
Sensor, 0-25 Engine Air Intake Manifold.....	106, 204	Shaft, Cab Components, Windshield.....	406
Sensor, 0-40 Fuel Injection Lines.....	134, 232	Shaft, Carrier Roller.....	40
Sensor, 0-40 Fuel Injection System.....	132, 230	Shaft, Hydraulic Pump Components.....	568
Sensor, 0-57 Exhaust Gas Recirculation (EGR).....	148, 244	Shaft, Hydraulic Pump Rotating Group.....	570
Sensor, 0-60 Engine Control Unit (ECU).....	150	Shaft, Pilot Controllers.....	644
Sensor, 0-60 Engine Electrical Control Parts.....	246	Shaft, Pilot Controllers, Machine Guidance.....	852
Sensor, 1-46 Diesel Exhaust Fluid (DEF) Supply Module and Dosing Injector.....	162, 256	Shaft, Rocker Arm Shaft, 0-14 Engine Camshaft And Valves.....	96, 194
Sensor, Aftertreatment (- 340098).....	292	Shaft, Swing Motor Components.....	824
Sensor, Aftertreatment (340099 -).....	294	Shaft, Swing Motor Gear Case Components.....	826
Sensor, Air Conditioner (A/C) and Heater Components.....	480	Shaft, Travel Motor Gear Case Components.....	62
Sensor, Air Conditioner (A/C) Solar Sensor.....	500	Shim Kit, Pilot Pressure Regulating Valve.....	740
Sensor, Air Conditioning Compressor, Condenser and Sensor.....	488	Shim, Arm to Bucket.....	672
Sensor, Air Temperature, Engine Air Intake Manifold-0-25-4HK1XASA02A-YA00028489.....	106	Shim, Bucket to Arm.....	672
Sensor, Air Temperature, Engine Air Intake Manifold-0-25-4HK1XASA12A-YA00046929.....	204	Shoe, Open Center 1 Bar Shoe, Track Chain Assembly, Long Carriage.....	52
Sensor, Auxiliary Function Lever and Lines.....	716	Shoe, Open Center 3 Bar Shoe, Track Chain Assembly, Long Carriage.....	52
Sensor, Engine Intake Air Temperature-0-60-4HK1XASA12A-YA00046929.....	246	Shoe, Open Center 3 Bar Shoe, Track Chain Assembly, Standard.....	50
Sensor, Engine Temperature-0-60-4HK1XASA12A-YA00046929.....	246	Shoe, Track Chain Assembly, Long Carriage.....	52
Sensor, Exhaust Temperature (CSF)-1-46-4HK1XASA12A-YA00046929.....	256	Shoe, Track Chain Assembly, Standard.....	50
Sensor, Exhaust Temperature (DOC)-1-46-4HK1XASA02A-YA00028489.....	162	Short Arm, 2.42 m (7.94 ft).....	670
Sensor, Exhaust Temperature (DOC)-1-46-4HK1XASA12A-YA00046929.....	256	Short Arm, 2.42 m.....	670
Sensor, Exhaust Temperature, Catalyzed Soot Filter, Aftertreatment (- 340098).....	292	Shroud, 1-10 Fan Shroud.....	160, 254
Sensor, Exhaust Temperature, Diesel Oxidation Catalyst, Aftertreatment (- 340098).....	292	Shroud, Esco Ultralok™ Teeth, Heavy-Duty Bucket, 106.7 cm (42 in), 0.87 m ³ (1.14 yd ³).....	612
Sensor, Front Attach Pressure.....	748	Shroud, Esco Ultralok™ Teeth, Heavy-Duty Bucket, 121.9 cm (48 in), 1.02 m ³ (1.34 yd ³).....	614
Sensor, Fuel Temperature Sensor, 0-40 Fuel Injection Pump and Support.....	234	Shroud, Esco Ultralok™ Teeth, Heavy-Duty Bucket, 91.4 cm (36 in), 0.72 m ³ (0.94 yd ³).....	610
Sensor, Fuel Temperature Sensor, 0-40 Fuel Injection System Support.....	136	Shroud, Fan-1-10-4HK1XASA02A-YA00028489.....	160
Sensor, Fuel Temperature, Fuel Injection Pump-0-40-4HK1XASA02A-YA00028489.....	136	Shroud, Fan-1-10-4HK1XASA12A-YA00046929.....	254
Sensor, Fuel Temperature, Fuel Injection Pump-0-40-4HK1XASA12A-YA00046929.....	234	Shroud, Heavy-Duty Bucket, 1.06 m (42 in), 0.85 m ³ (1.11 yd ³).....	622
Sensor, Hydraulic Oil Reservoir.....	594	Shroud, Heavy-Duty Bucket, 1.2 m (48 in), 1.0 m ³ (1.31 yd ³).....	624
Sensor, Hydraulic Pump Regulator 1 Components.....	572	Shroud, Heavy-Duty Bucket, 60.96 cm (24 in), 0.39 m ³ (0.51 yd ³).....	618
Sensor, Hydraulic Pump Regulator 2 Components.....	574	Shroud, Heavy-Duty Bucket, 76.2 cm (30 in), 0.54 m ³ (0.71 yd ³).....	616
Sensor, Hydraulic Pump Rotating Group.....	570	Shroud, Heavy-Duty Bucket, 91.44 cm (36 in), 0.69 m ³ (0.91 yd ³).....	620
Sensor, Intercooler Hoses.....	278	Shutoff Valve Components, Pilot.....	698
Sensor, Laser Sensor and Wiring Harness, Machine Guidance.....	850	Shutoff Valve, Pilot (- 340456).....	774
Sensor, Machine Wiring Harness (- 340456).....	350	Side Window Guard Bars.....	400
Sensor, Machine Wiring Harness (340457 -).....	352	Silencer, Exhaust Pipe-1-50-4HK1XASA02A-YA00028489.....	164
Sensor, Main Body High Flow Auxiliary Lines (- 340890).....	782	Silencer, Exhaust Pipe-1-50-4HK1XASA12A-YA00046929.....	258
Sensor, Main Body High Flow Auxiliary Lines (340891 -).....	784	Single Pedal Propel (340457 -).....	660
Sensor, Manifold Air Temperature, Intercooler.....	278	Single Pedal Propel Kit.....	658
Sensor, Mass Air Flow, Engine-0-60-4HK1XASA12A-YA00046929.....	246	SKID PLATE, LOWER ROLLER.....	54
Sensor, Oil Pressure, Engine Oil Cooler-0-50-4HK1XASA02A-YA00028489.....	142	Sleeve, 0-11 Engine Cylinder Head.....	88, 186
Sensor, Oil Pressure, Engine Oil Cooler-0-50-4HK1XASA12A-YA00046929.....	238	Sleeve, Boom Foot Pin.....	388
Sensor, Pilot Lines, Control Valve To Pilot Signal Manifold (- 340456).....	750	Sleeve, Control Valve Body and Spools, 4-Spool Side.....	584
Sensor, Pilot Lines, Control Valve To Pilot Signal Manifold (340457 -).....	752	Sleeve, Control Valve Body and Spools, 5-Spool Side.....	588
Sensor, Pilot Lines, Pilot Signal Manifold To Swing Motor.....	748	Sleeve, Hydraulic Pump Regulator 1 Components.....	572
Sensor, Pressure, Hydraulic Pump Regulator (2).....	574	Sleeve, Hydraulic Pump Regulator 2 Components.....	574
Sensor, Pump Delivery Pressure.....	570	Sleeve, Pilot Control Valve Components.....	646
Sensor, Solar, Air Conditioning.....	500	Sleeve, Solenoid Valve Components.....	684
Sensor, Tachometer-0-20-4HK1XASA02A-YA00028489.....	104	Sleeve, Solenoid Valve Components, Auxiliary Function.....	718
Sensor, Tachometer-0-20-4HK1XASA12A-YA00046929.....	202	Sleeve, Solenoid Valve Components, Two Spool.....	686
Sensor, Temperature Sensor, 1-50 Exhaust System Bracket and Sensors.....	168	Sleeve, Swing Motor Gear Case Components.....	826
Sensor, Temperature Sensor, Aftertreatment (- 340098).....	292	Sleeve, Travel Motor Crossover Relief Valve Components.....	68
		Slope Finishing Bucket.....	634
		Smartloc™ Coupler Components.....	638
		SMARTLOC™ Hydraulic Coupler Kit.....	636
		Solar Sensor, Air Conditioning.....	500
		Solenoid Valve Components.....	684
		Solenoid Valve Components, Auxiliary Function.....	718
		Solenoid Valve Components, Two Spool.....	686
		Solenoid Valve Lines to Hydraulic Pump.....	740
		Solenoid Valve Lines to Oil Filter.....	740
		Solenoid Valve, Hydraulic Coupler Kit.....	636
		Solenoid Valve, Kit, 1 Way.....	710
		Solenoid Valve, Kit, 2 Way.....	712

Alphabetical Index - Continued

Page	Page		
Solenoid Valve, Pilot Shutoff; Components	698	Stop, Cab Components, Handrail and Guard Bars	400
Solenoid, 0-65 Starter Components	156, 250	Stop, Cooling Package and Hydraulic Pump Compartment Doors (- XXXXXX)	522
Solenoid, Solenoid Hydraulic Valve, Pilot Shutoff Solenoid Valve Components	698	Stop, Cooling Package and Hydraulic Pump Compartment Doors (XXXXXX -)	524
Solenoid, Solenoid Valve Coil, Hydraulic Coupler Kit	636	Stop, Cooling Package Compartment Panels	526
Solenoid, Solenoid Valve Components	684	Stop, Direct Hydraulic Thumb Kit (Kits Built 28 June 2010-)	680
Solenoid, Solenoid Valve Components, Auxiliary Function	718	Stop, Engine Cover	532
Solenoid, Solenoid Valve Components, Two Spool	686	Stop, Engine Mounting	304
Solenoid, Solenoid Valve, Auxiliary Function Lever and Lines	716	Stop, Hydraulic Pump Compartment Panels	528
Solenoid, Solenoid Valve, Electric Solenoid Valve Kit, 2 Way	712	Stop, Hydraulic Pump Regulator 1 Components	572
Solenoid, Solenoid Valve, Hydraulic Control Kit, Variable Pin Grabber	642	Stop, Hydraulic Pump Regulator 2 Components	574
Solenoid, Solenoid Valve, Hydraulic Coupler Kit	636	Stop, Hydraulic Pump Rotating Group	570
Solenoid, Solenoid Valve, Hydraulic Pump Regulator 2 Components	574	Stop, Main Frame (- 340456)	382
Solenoid, Solenoid Valve, Main Body High Flow Auxiliary Lines (- 340890)	782	Stop, Main Frame (340457 -)	384
Solenoid, Solenoid Valve, Main Body High Flow Auxiliary Lines (340891 -)	784	Stop, Operator Protection Guard (OPG) (340457 -)	440
Solenoid, Solenoid Valve, Pilot Lines, Filter and Bypass Valve	740	Stop, Premium Seat Components (340571 -)	466
Solenoid, Solenoid Valve, Solenoid Valve Components	684	Stop, Progressive Hydraulic Thumb Kit (Kits Built 28 June 2010 -)	682
Solenoid, Solenoid Valve, Solenoid Valve Components, Auxiliary Function	718	Stop, Rotary Manifold Seal and Swing Stop	818
Solenoid, Solenoid Valve, Solenoid Valve Components, Two Spool	686	Stop, Short Arm 2.42 m (7.94 ft)	670
Solenoid, Solenoid Valve, Two Pump Combined Flow Kit	798	Stop, Single Pedal Propel (340457 -)	660
Speaker Wiring Harness	396	Stop, Single Pedal Propel Kit	658
Speaker, Cab Components, Cab Light, Antenna, and Speakers	396	Stop, Super Long Front Bucket (0.45 m ³)	628
Speakers, Radio	396	Stop, Two-Way Auxiliary Foot Pedal	662
Spindle, Rotary Manifold Components	816	Stoppers, Cab	398
Spindle, Rotary Valve Components	708	Storage Compartment Door (- 340456)	504
Spool Lock, Pilot Shutoff Valve	698	Storage Compartment Door and Panels (- 340456)	504
Spool Valve, Solenoid; Hydraulic Coupler Kit	636	Storage Compartment Door and Panels (340457 -)	506
Spool, Auxiliary Pilot Control Valve Components	666	Storage Compartment Floor Cover (- 340456)	512
Spool, Control Valve Body and Spools, 5-Spool Side	588	Storage Compartment Floor Cover (340457 -)	514
Spool, Control Valve End Caps, 4-Spool Side	586	Storage Compartment Panels (- 340456)	504
Spool, Control Valve End Caps, 5-Spool Side	590	Storage Compartment Top Cover (- 340456)	508
Spool, Hydraulic Pump Regulator 1 Components	572	Storage Compartment Top Cover (340457 -)	510
Spool, Hydraulic Pump Regulator 2 Components	574	Strainer, 0-51 Engine Oil Pump And Strainer	144, 240
Spool, Pilot Shutoff Solenoid Valve Components	698	Strainer, Diesel Exhaust Fluid (DEF) Tank	298
Spool, Solenoid Valve Components	684	Strainer, Diesel Exhaust Fluid Tank	298
Spool, Solenoid Valve Components, Auxiliary Function	718	Strainer, Engine Oil-0-51-4HK1XASA02A-YA00028489	144
Spool, Solenoid Valve Components, Two Spool	686	Strainer, Engine Oil-0-51-4HK1XASA12A-YA00046929	240
Spool, Spool Valve, Pilot Signal Manifold Valves	696	Strainer, Fuel Tank	308
Spool, Travel Motor Brake Valve Components	66	Strainer, Hydraulic Oil Reservoir	594
Spool, Travel Pilot Control Valve Components	652	Strap, Diesel Exhaust Fluid (DEF) Tank	298
Spool, Valve Spool, Control Valve Body and Spools, 4-Spool Side	584	Strap, Diesel Exhaust Fluid (DEF) Tank Parts	300
Spool, Valve Spool, Control Valve End Caps, 4-Spool Side	586	Strap, Electric Solenoid Valve Kit, 1 Way	710
Spool, Valve Spool, Hydraulic Coupler Kit	636	Strap, Electric Solenoid Valve Kit, 2 Way	712
Spool, Valve Spool, Hydraulic Pump Regulator 1 Components	572	Striker, Cab	398
Spool, Valve Spool, Hydraulic Pump Regulator 2 Components	574	Striker, Cab Components, Brackets, Bushings, and Stoppers	398
Spool, Valve Spool, Travel Motor Brake Valve Components	66	Suction Lines	720
Spools, Control Valve (4-Spool Side)	584	Sunroof, Cab	402
Spools, control valve (5-spool side)	588	Super Long Front Bucket (0.45 m ³)	628
Spring, Track Chain Adjuster	44	Super Long Front Bucket, 762 mm (30 in), 40.5 m ³ (53 yd ³)	630
Sprocket, Chain Sprocket, Travel Motor Gear Case Components	62	Super Long Front Ditching Bucket	632
Stand, Air Suspension Seat	458	Supply Module, Diesel Exhaust Fluid (DEF)	302
Standard Arm 2.91 m	672	Supply Module, Diesel Exhaust Fluid-1-46-4HK1XASA02A-YA00028489	162
Start Terminal Jumper Wiring Harness (- 340883)	320	Supply Module, Diesel Exhaust Fluid-1-46-4HK1XASA12A-YA00046929	256
Starter Motor, Engine Electrical Control Parts-0-60-4HK1XASA02A-YA00028489	150	Support, Engine Camshaft and Valve-0-14-4HK1XASA02A-YA00028489	98
Starter Motor, Engine Electrical Control Parts-0-60-4HK1XASA12A-YA00046929	246	Support, Engine Camshaft and Valve-0-14-4HK1XASA12A-YA00046929	196
Starter Switch Wiring Harness, Cab Wiring Harness	358	Support, Engine Cylinder Block-0-12-4HK1XASA02A-YA00028489	92
Starter, Starter Motor, 0-60 Engine Control Unit (ECU)	150	Support, Engine Cylinder	190
Starter, Starter Motor, 0-60 Engine Electrical Control Parts	246	Support, Engine Cylinder Head-0-11-4HK1XASA02A-YA00028489	86
Starter, Starter Motor, 0-65 Starter Components	156, 250	Support, Engine Cylinder Head-0-11-4HK1XASA12A-YA00046929	184
Steering Valve, Return Lines	728	Support, Flywheel Housing-0-20-4HK1XASA02A-YA00028489	104
Step	60	Support, Flywheel Housing-0-20-4HK1XASA12A-YA00046929	202
Step, Step	60	Support, Hydraulic Pump Compartment Panels	528
Step, Track Frame	34, 36	Supports, Radiator-1-10-4HK1XASA02A-YA00028489	160
Step, Track Frame Secondary Steps	38	Supports, Radiator-1-10-4HK1XASA12A-YA00046929	254
Step, Track Frame, Long Carriage	36	Surge Tank	280
Step, Undercarriage	36, 60	Suspension, Seat Suspension Boot Kit, Air Suspension Heated Seat Components	458
Step, Undercarriage Frame	34	Suspension, Seat Suspension Boot Kit, Mechanical Suspension Seat Components	452
Steps, Track Frame, Bolt On	38	Suspension, Seat Suspension Boot Kit, Premium Seat Components (340571 -)	466
Stop Switch, Engine	372	Suspension, Seat Suspension, Air Suspension Heated Seat Components	458
Stop, Air Suspension Heated Seat Components	458	Suspension, Seat Suspension, Air Suspension Seat, Heated (340457 -)	456
Stop, Arm, 2.91 m (9.55 ft)	672	Suspension, Seat Suspension, Mechanical Suspension Seat Components	452
Stop, Arm, 2.91 m (9.55 ft), Machine Guidance	830		
Stop, Boom, 5.68 m (18.7 ft)	668		
Stop, Boom, Machine Guidance	832		
Stop, Cab Components, Brackets, Bushings, and Stoppers	398		
Stop, Cab Components, Cab Glass	404		

Alphabetical Index - Continued

Page	T	Page
Suspension, Seat Suspension, Premium Seat Components (340571 -)		
Swing Bearing		466
SWING BEARING BOTTOM COVER, TRACK FRAME (- 340456)		812
Swing Bearing Mounting		56
SWING DEVICE LINES TO CONTROL VALVE (- 340005)		810
SWING DEVICE LINES TO CONTROL VALVE (340006 -)		724
Swing Device Mounting		726
Swing Motor		820
Swing Motor and Gear Case		822
Swing Motor Components		822
Swing Motor Gear Case Components		824
Swing Motor Lines From Control Valve		826
SWING MOTOR LINES TO CONTROL VALVE		738
Swing Motor Oil Fill		738
Swing Motor To Control Valve Pilot Hydraulic Line		822
Switch Box, Cab Wiring Harness		748
Switch, 0-60 Engine Control Unit (ECU)		358
Switch, 0-60 Engine Electrical Control Parts		150
Switch, Air Suspension Seat Heater Switch and Wiring Harness (- XXXXXX)		246
Switch, Air Suspension Seat Heater Switch and Wiring Harness (XXXXXX -)		460
Switch, Auto-Idle, Cab Wiring Harness		462
Switch, Auxiliary Function Lever and Lines		358
Switch, Batteries, Support and Cables (- 340883)		716
Switch, Batteries, Support, and Cables (340884 -)		320
Switch, Battery Disconnect (- 340883)		322
Switch, Blower Speed, Cab Wiring Harness		320
Switch, Cab Components, Cab Light, Antenna, and Speakers		358
Switch, Cab Components, Windshield		396
Switch, Cab Wiring Harness		406
Switch, Door		358
Switch, Electric Solenoid Valve Kit, 1 Way		396
Switch, Engage Starter-0-65-4HK1XASA02A-YA00028489		710
Switch, Engage Starter-0-65-4HK1XASA12A-YA00046929		156
Switch, Engine Stop		250
Switch, Engine Stop Switch		372
Switch, Exhaust Filter Parked Cleaning		372
Switch, Foot Pedal, Electric solenoid Valve Kit, 1 Way		358
Switch, High/Low Pressure, Air Conditioner (- 340456)		710
Switch, Ignition		494
Switch, Key Start		370
Switch, Key Start Switch		370
Switch, Left Pilot Control Handle		370
Switch, Left Pilot Control Handle Kit		656
Switch, Left/Right Enable		656
Switch, Monitor Dial, Cab Wiring Harness		362
Switch, Oil Pressure, Engine Electrical Control		358
Parts-0-60-4HK1XASA02A-YA00028489		150
Switch, Oil Pressure, Engine Electrical Control		150
Parts-0-60-4HK1XASA12A-YA00046929		246
Switch, Pilot Control Lever Wiring Harnesses and Relays		362
Switch, Pilot Shutoff Lever		654
Switch, Pressure Switch, 0-40 Fuel Injection Lines		134, 232
Switch, Pressure Switch, 0-40 Fuel Injection System		132, 230
Switch, Pressure Switch, Air Conditioner Compressor and Condenser Hoses (- 340456)		494
Switch, Pressure Switch, Air Conditioner Compressor and Condenser Hoses (340457 -)		496
Switch, Radio Power and Volume, Cab Wiring Harness		358
Switch, Radio Tuning, Cab Wiring Harness		358
Switch, Rear Cab Lights, LED (340457 - 340885)		338
Switch, Rear Cab Lights, LED (340886 -)		340
Switch, Seat Height Switch Kit, Premium Seat Components (340571 -)		466
Switch, Surge Tank		280
Switch, Switch Kit, Premium Seat Components (340571 -)		466
Switch, Temperature Control, Cab Wiring Harness		358
Switch, Thermostat, Engine Electrical Control		150
Parts-0-60-4HK1XASA02A-YA00028489		150
Switch, Thermostat, Engine Electrical Control		150
Parts-0-60-4HK1XASA12A-YA00046929		246
Switch, Travel Alarm		558
Switch, Travel Motion Alarm		558
Switch, Travel Motion Alarm Switch and Wiring Harness		558
Switch, Travel Speed, Cab Wiring Harness		358
Switch, Windshield Wiper and Washer, Cab Wiring Harness		358
Switch, Work Light, Cab Wiring Harness		358
Tank, Air Conditioner Condenser		492
Tank, DEF Tank Header Assembly, Diesel Exhaust Fluid (DEF) Tank		298
Tank, Diesel Exhaust Fluid		298
Tank, Diesel Exhaust Fluid (DEF) Tank		298
Tank, Fuel		308
Tank, Fuel Hoses		310
Tank, Fuel Tank, Fuel Tank		308
Tank, Hydraulic Oil		594
Tank, Surge		280
Tank, Surge Tank		280
Tank, Window Washer		432
Teeth, Super Long Front Bucket		628
Temperature Control Switch, Cab Wiring Harness		358
Temperature Sensor, Aftertreatment (- 340098)		292
Temperature Sensor, Exhaust Gas Recirculation (EGR)-0-57-4HK1XASA02A-YA00028489		148
Temperature Sensor, Exhaust Gas Recirculation (EGR)-0-57-4HK1XASA12A-YA00046929		244
Temperature Sensor, Hydraulic Oil Reservoir		594
Tension Device, Track Chain Adjuster		44
TENSION DEVICE, TRACK CHAIN IDLER (- 340516)		46
Tension Device, Track Chain Idler (- 340517 -)		48
Thermostat Switch, Engine Electrical		150
Parts-0-60-4HK1XASA02A-YA00028489		150
Thermostat Switch, Engine Electrical		246
Parts-0-60-4HK1XASA12A-YA00046929		246
Thermostat, 0-31 Thermostat and Housing		114, 212
Thermostat, Engine Oil Cooler-0-50-4HK1XASA02A-YA00028489		142
Thermostat, Engine Oil Cooler-0-50-4HK1XASA12A-YA00046929		238
Thermostat-0-31-4HK1XASA02A-YA00028489		114
Thermostat-0-31-4HK1XASA12A-YA00046929		212
Throttle Valve, Engine Air Intake		106
Manifold-0-25-4HK1XASA02A-YA00028489		106
Throttle Valve, Engine Air Intake		204
Manifold-0-25-4HK1XASA12A-YA00046929		204
Throttle Valve, Engine Control		124
Valve-0-35-4HK1XASA02A-YA00028489		124
Throttle Valve, Engine Control		222
Valve-0-35-4HK1XASA12A-YA00046929		222
Thumb, Direct Hydraulic (Kits Built 28 June 2010 -)		680
Thumb, Progressive Hydraulic (Kits Built 28 June 2010 -)		682
Toolbox		560
Toolbox Light, LED (340457 - 340885)		346
Toolbox Light, LED (340886 -)		348
Toolbox, Non-Slip Cover (- 340021)		540
Toolbox, Toolbox		560
Tooth, Bucket, Super Long Front		628
Tooth, Heavy Duty Bucket (24 in) (0.51 yd ³)		616
Tooth, Heavy Duty Bucket (30 in) (0.71 yd ³)		618
Tooth, Heavy Duty Bucket (36 in) (0.91 yd ³)		620
Tooth, Heavy Duty Bucket (42 in) (1.11 yd ³)		622
Tooth, Heavy Duty Bucket (48 in) (1.31 yd ³)		624
Top Center, Non-Slip Cover (- 340021)		540
Top Cover, Storage Compartment (- 340456)		508
Top Cover, Storage Compartment (340457 -)		510
Top Radiator Compartment Cover		526
Torsion Spring, Engine Cover		532
Torsional Damper, Engine-0-15-4HK1XASA02A-YA00028489		100
Torsional Damper, Engine-0-15-4HK1XASA12A-YA00046929		198
Track Chain Adjuster		44
Track Chain Assembly, Long Carriage		52
Track Chain Assembly, Standard		50
Track Chain Drive Gear		62
Track Chain Idler (- 340516)		46
Track Chain Idler (340517 -)		48
Track Frame		34
Track Frame Bottom Cover (- 340456)		56
Track Frame Bottom Cover (340457 -)		58
Track Frame Secondary Steps		38
Track Frame Secondary Steps, Bolt On		38
Track Frame, Long Carriage		36
Track Frame, Undercarriage		34, 36
TRACK ROLLER, CARRIER		40
Track Roller, Lower		42
Travel Alarm		556
Travel Alarm Switch		558
Travel Alarm Wire Harness		558
Travel Alarm Wiring Harness		556
Travel Motion Alarm Switch and Wiring Harness		558
Travel Motor		74

Alphabetical Index - Continued

	Page		Page
Travel Motor and Mounting.....	74	Valve, Control, Singe Pedal Propel	658
Travel Motor Brake Valve Components	66	Valve, Drain, Air Cleaner	282
Travel Motor Components	64	Valve, Exhaust Gas Recirculation	
Travel Motor Cover.....	76	(EGR)-0-57-4HK1XASA02A-YA00028489.....	148
Travel Motor Crossover Relief Valve	66	Valve, Exhaust Gas Recirculation	
Travel Motor Crossover Relief Valve Components.....	68	(EGR)-0-57-4HK1XASA12A-YA00046929.....	244
TRAVEL MOTOR CROSSOVER RELIEF VALVE COMPONENTS	68	Valve, Exhaust, Engine-0-14-4HK1XASA02A-YA00028489	96
Travel Motor Drive Gear	62	Valve, Exhaust, Engine-0-14-4HK1XASA12A-YA00046929	194
Travel Motor Gear Case Components.....	62	Valve, Filter Element, Hydraulic Oil Filter	594
Travel Motor Hydraulic Lines.....	70	Valve, Flow Control, Cylinder	
Travel Motor Hydraulic Lines (Long Carriage).....	72	Block-0-12-4HK1XASA02A-YA00028489	90
Travel Motor Hydraulic Lines, Long Carriage	72	Valve, Flow Control, Cylinder	
Travel Pilot Control Pedals.....	648	Block-0-12-4HK1XASA12A-YA00046929	188
Travel Pilot Control Valve	650	Valve, Flow Control, Windshield Washer	396
Travel Pilot Control Valve Components.....	652	Valve, Fuel Filter-0-41-4HK1XASA02A-YA00028489	138
Travel Pilot Control Valve Lever	650	Valve, Heating, Diesel Exhaust Fluid (DEF).....	302
Travel Pilot Valve To Pilot Shutoff Valve Pilot Hydraulic Lines (- 340456).....	774	Valve, Heating, Diesel Exhaust	
Travel Speed Switch, Cab Wiring Harness	358	Fluid-1-46-4HK1XASA02A-YA00028489	162
Travel Warning Alarm, Buzzer.....	364	Valve, Heating, Diesel Exhaust	
Tray, Left Console.....	424	Fluid-1-46-4HK1XASA12A-YA00046929.....	256
Tropical Door.....	544	Valve, Intake, Engine-0-14-4HK1XASA02A-YA00028489	96
Tube, 0-13 Oil Pan And Level Gauge.....	94, 192	Valve, Intake, Engine-0-14-4HK1XASA12A-YA00046929	194
Tube, 0-57 Exhaust Gas Recirculation (EGR).....	148, 244	Valve, Oil Check, Engine Cylinder	
Tube, Air Conditioner (A/C) and Heater Components	480	Block-0-12-4HK1XASA02A-YA00028489	90
Tube, Air Conditioner (A/C) Condenser Components	492	Valve, Oil Check, Engine Cylinder	
Tube, Air Conditioning Condenser	492	Block-0-12-4HK1XASA12A-YA00046929	188
Tube, Dipstick Tube, Hydraulic Pump Components.....	568	Valve, Oil Relief, Engine Cylinder	
Tube, Fuel System Hoses	310	Block-0-12-4HK1XASA02A-YA00028489	90
Tube, Fuel Tank.....	308	Valve, Oil Relief, Engine Cylinder	
Tube, Guide, Oil Level Gauge-0-13-4HK1XASA02A-YA00028489.....	94	Block-0-12-4HK1XASA12A-YA00046929	188
Tube, Guide, Oil Level Gauge-0-13-4HK1XASA12A-YA00046929.....	192	Valve, Pattern Changer (- 340456).....	702
Tube, Heater Hoses	498	Valve, Pilot Control Components	646
Tube, Left Boom Cylinder Components	800	Valve, Pilot Control, Auxiliary, Components	666
Tube, Right Boom Cylinder Components.....	802	Valve, Pilot Shutoff (- 340456).....	774
Tube, Structural Tube, Fuel System Hoses.....	310	Valve, Pilot Shutoff, Components	698
Tube, Structural Tube, Heater Hoses.....	498	Valve, Pressure Relief	714
Tube, Swing Motor and Gear Case	822	Valve, Pressure Relief, Engine Oil	
Tube, Tube Nut, Hydraulic Coupler Kit	636	Cooler-0-50-4HK1XASA02A-YA00028489	142
Turbocharger, 0-36 Turbocharger.....	126, 224	Valve, Pressure Relief, Engine Oil	
Two Pump Combined Flow Kit.....	798	Cooler-0-50-4HK1XASA12A-YA00046929	238
Two-Way Auxiliary Foot Pedal.....	662	Valve, Relief, Travel Motor Brake (Components)	68
Two-Way Auxiliary Foot Pedal Hoses	664	Valve, Solenoid.....	684
		Valve, Solenoid; Hydraulic Coupler Kit	636
		Valve, Solenoid, Two Spool.....	686
		Valve, Throttle, Engine Air Intake	
		Manifold-0-25-4HK1XASA02A-YA00028489	106
		Valve, Throttle, Engine Air Intake	
		Manifold-0-25-4HK1XASA12A-YA00046929	204
		Valve, Throttle, Engine Control	
		Valve-0-35-4HK1XASA02A-YA00028489	124
		Valve, Throttle, Engine Control	
		Valve-0-35-4HK1XASA12A-YA00046929	222
		Valve, Travel Motor Brake	64
		Valve, Travel Motor Brake Components	66
		Valve, Travel Pilot Control	650
		Vandal Guards, Cab (- 340456).....	444
		Vandal Protection, Cab (- 340456).....	444
		Vapor Condenser Components, Air Conditioner	492
		Ventilator Hose, Ventilation	
		System-0-28-4HK1XASA02A-YA00028489.....	110
		Ventilator Hose, Ventilation	
		System-0-28-4HK1XASA12A-YA00046929.....	208
		Visor Support, Rain	436
		Voltage Regulator, Alternator-0-66-4HK1XASA02A-YA00028489	158
		Voltage Regulator, Alternator-0-66-4HK1XASA12A-YA00046929	252
		W	
		Washer Nozzle	396
		Water Feed Adapter, Cylinder	
		Block-0-12-4HK1XASA02A-YA00028489	90
		Water Feed Adapter, Cylinder	
		Block-0-12-4HK1XASA12A-YA00046929	188
		Water Hose, Cold, Heater Hose	498
		Water Hose, Hot, Heater Hoses	498
		Water Hoses, Thermostat-0-31-4HK1XASA02A-YA00028489	116
		Water Hoses, Thermostat-0-31-4HK1XASA12A-YA00046929	214
		Water Lines, Thermostat-0-31-4HK1XASA02A-YA00028489	116
		Water Lines, Thermostat-0-31-4HK1XASA12A-YA00046929	214
		Water Pump to Exhaust Gas Recirculation, Heat	
		Exchangers-0-36-4HK1XASA02A-YA00028489.....	128

U

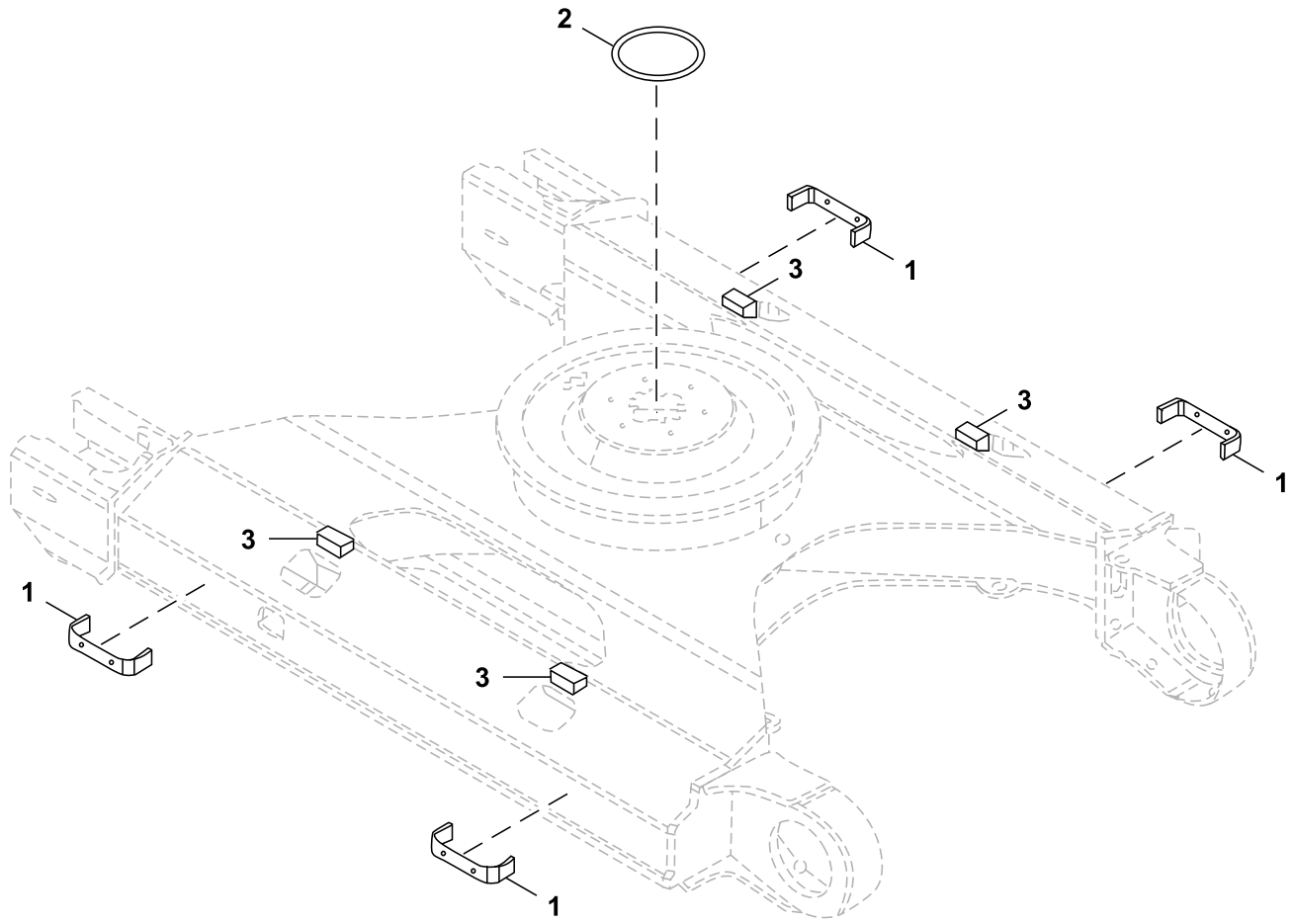
V

Alphabetical Index - Continued

<i>Page</i>	<i>Page</i>		
Water Pump to Exhaust Gas Recirculation, Heat Exchangers-0-36-4HK1XASA12A-YA00046929.....	226	Wiring Harness, Starter Switch, Cab Wiring Harness	358
Weatherstrip, Bottom Covers (- 340456).....	534	Wiring Harness, Travel Alarm.....	558
Weatherstrip, Bottom Covers (340457 -).....	536	Wiring Harness, Windshield Wiper.....	406
Weatherstrip, Cab Door.....	392	Wiring Harness, ZXLink™ SAT Assembly.....	602
Weatherstrip, Cooling Package Compartment Panels.....	526	Work Light Switch, Cab Wiring Harness.....	358
Weatherstrip, Cooling Package Top Covers.....	520	WORK LIGHT, BOOM, Kit.....	330
Weatherstrip, Diesel Exhaust Fluid (DEF) Lines.....	302		
Weatherstrip, Diesel Exhaust Fluid (DEF) Tank.....	298	Y	
Weatherstrip, Engine Compartment Panels.....	530	Yoke, Track Chain Idler (- 340516).....	46
Weatherstrip, Hydraulic Pump Compartment Panels.....	528	Yoke, Track Chain Idler (340517 -).....	48
Weatherstrip, Storage Compartment Top Cover (- 340456).....	508	YOKE, TRACK IDLER (- 340516).....	46
Weatherstrip, Toolbox.....	560	Yoke, Track Idler (340517 -).....	48
Wedge, Hydraulic Coupler Kit, Variable Pin Grabber.....	640		
Weight, Rear Frame.....	386	Z	
Wheel, Rim, Front Cab Lights, Halogen.....	326	ZXLink™ Modular Telematics Gateway (MTG) and Satellite (SAT) Module Controller.....	598
Wheel, Rim, Front Lights.....	324	ZXLink™ Modular Telematics Gateway (MTG) Assembly, 4G LTE... ..	606
Window Guard Bars.....	400	ZXLink™ Modular Telematics Gateway Controller.....	598
Window Guard, Front (- 340456).....	438	ZXLink™ Modular Telematics Gateway, 4G LTE.....	604
Window Washer Reservoir.....	432	ZXLink™ MTG Assembly.....	600
Window, Cab.....	404	ZXLink™ SAT Assembly Wiring Harness.....	602
Window, Cab Components, Cab Glass.....	404	ZXLink™ SAT Satellite (SAT) Module Controller.....	602
Window, Cab Components, Door.....	392	ZXLink™ Satellite Module.....	598
Window, Cab Components, Windshield.....	406	ZXLink™ Vehicle Integration (MTG) (Field Kit).....	600
Window, Cab Door.....	392		
Window, Windshield.....	406		
Windowpane, Cab Glass.....	404		
Windshield Handle.....	406		
Windshield Washer Hose.....	396		
Windshield Washer Nozzle.....	396		
Windshield Washer Reservoir.....	432		
Windshield Wiper and Washer Switch, Cab Wiring Harness.....	358		
Windshield Wiper Wiring Harness.....	406		
Wiper Arm, Windshield Wiper.....	406		
Wiper Blade, Windshield.....	406		
Wiper Motor, Windshield.....	406		
Wiper, Wiper Arm, Cab Components, Windshield.....	406		
Wiper, Wiper Blade, Cab Components, Windshield.....	406		
Wiper, Wiper Motor, Cab Components, Windshield.....	406		
Wire Harness, Travel Alarm.....	556		
Wire Harness, ZXLink™ Ultimate (MTG).....	600		
Wiring Harness Mounting Hardware, Engine-8-15-4HK1XASA02A-YA00028489.....	172		
Wiring Harness Mounting Hardware, Engine-8-15-4HK1XASA12A-YA00046929.....	268		
Wiring Harness Mounting, Cab.....	360		
Wiring Harness, Auxiliary Audio.....	564		
Wiring Harness, Auxiliary Audio Interface.....	564		
Wiring Harness, Auxiliary Function Lever and Lines.....	716		
Wiring Harness, Auxiliary Three Button Cancel Switch.....	362		
Wiring Harness, Auxiliary Three Button Cancel Switch, Left Pilot Control Handle.....	656		
Wiring Harness, Battery (- 340883).....	320		
Wiring Harness, Battery Disconnect (- 340883).....	320		
Wiring Harness, Boom Work Light Kit.....	330		
Wiring Harness, Boom Work Light, Power, Mono Boom.....	332		
Wiring Harness, Cab.....	358		
Wiring Harness, Cab Headlamp.....	328		
Wiring Harness, Camera, Machine Wiring (- 340456).....	350		
Wiring Harness, Data Converter.....	366		
Wiring Harness, Dome Light.....	396		
Wiring Harness, Door Switch.....	396		
Wiring Harness, Electric Solenoid Valve Kit, 2 Way.....	712		
Wiring Harness, Engine, Machine Wiring (- 340456).....	350		
Wiring Harness, Engine-8-10-4HK1XASA02A-YA00028489.....	170		
Wiring Harness, Engine-8-10-4HK1XASA12A-YA00046929.....	266		
Wiring Harness, Exhaust Filter Parked Cleaning Switch.....	358		
Wiring Harness, Foot Pedal, Electric solenoid Valve Kit, 1 Way.....	710		
Wiring Harness, Front Cab Lights.....	326		
Wiring Harness, Front Lights.....	324		
Wiring Harness, Hydraulic Filter Restriction Indicator.....	596		
Wiring Harness, Left Pilot Control Handle.....	656		
Wiring Harness, Machine (- 340456).....	350		
Wiring Harness, Monitor.....	364		
Wiring Harness, MP3 Player.....	564		
Wiring Harness, Multi-Function Pilot Control Lever.....	362		
Wiring Harness, Optional Switch Connector.....	558		
Wiring Harness, Pilot Control Lever.....	362		
Wiring Harness, Pilot Shutoff Valve, Cab Wiring Harness.....	358		
Wiring Harness, Pump, Machine Wiring (- 340456).....	350		
Wiring Harness, Roof Lights.....	434		
Wiring Harness, Speakers.....	396		
Wiring Harness, Start Terminal Jumper (- 340883).....	320		

Track Frame

TX1269461 C.1

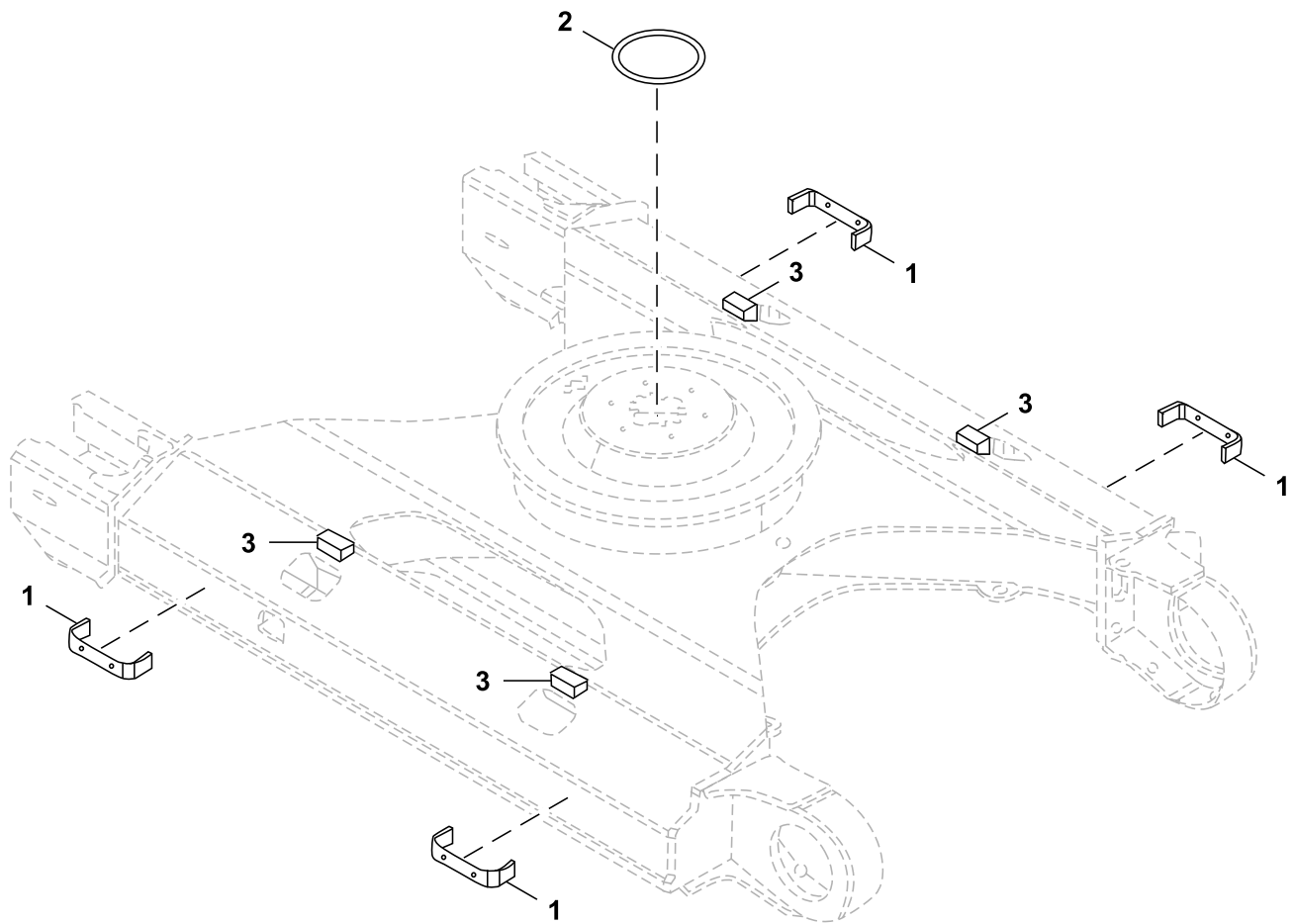


TX1269461

<i>Key</i>	<i>Part No.</i>	<i>Part Name</i>	<i>Qty.</i>	<i>Serial No.</i>	<i>Remarks</i>
1	4447430	Step	4		
2	4477681	Cover	1		
3	3103979	Bracket	4		

Track Frame, Long Carriage

TX1269461 C.1

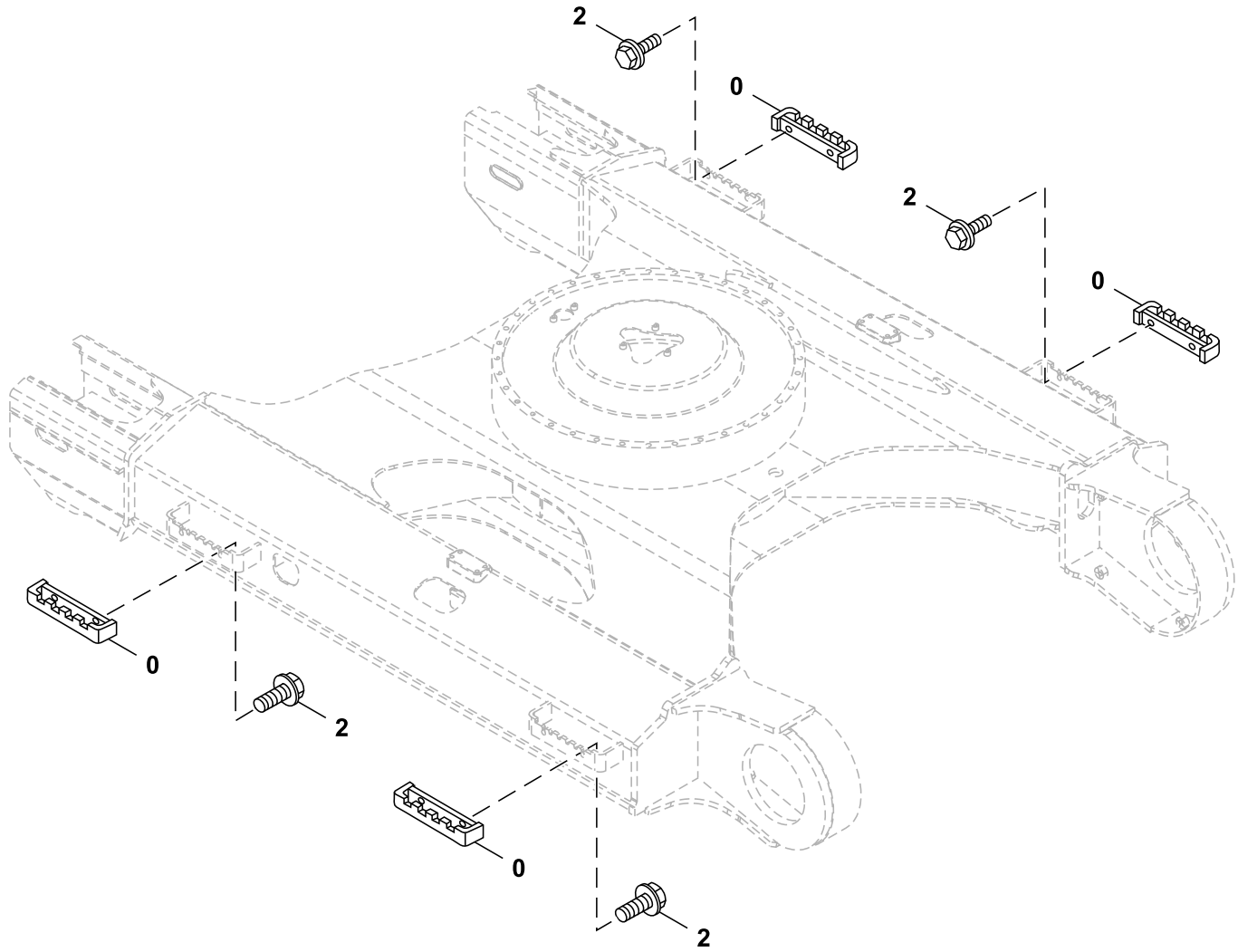


TX1269461

<i>Key</i>	<i>Part No.</i>	<i>Part Name</i>	<i>Qty.</i>	<i>Serial No.</i>	<i>Remarks</i>
1	4447430	Step	4		
2	4477681	Cover	1		
3	3103979	Bracket	4		

Track Frame Secondary Steps

TX1217400 B.1

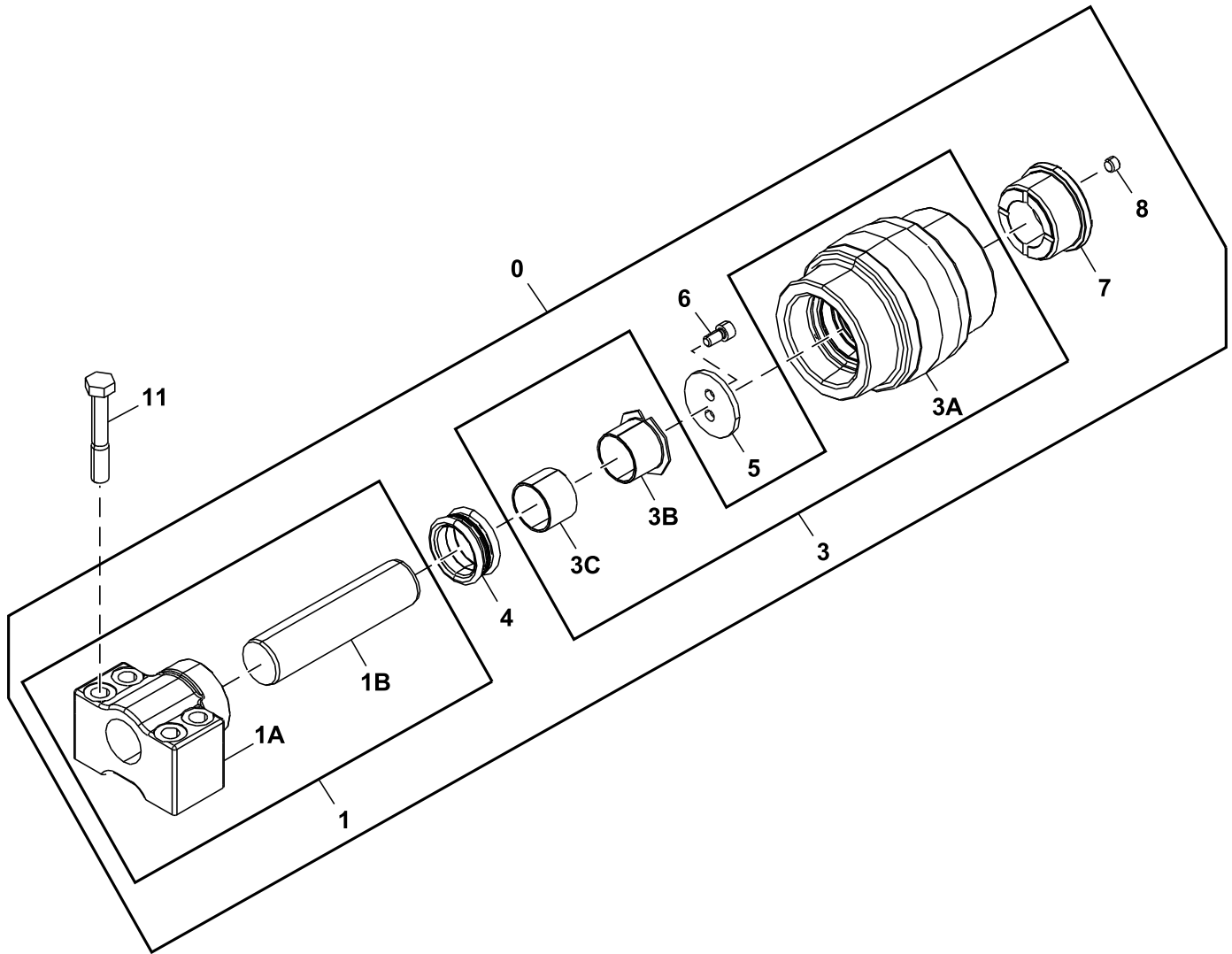


TX1217400

Key	Part No.	Part Name	Qty.	Serial No.	Remarks
0	9755978	Step	4		
2	Screw With Washer	8		J281240 NLA
	19M7493	Cap Screw	8		M12 X 40, SUB FOR J901240
	4249324	Washer	8		

Carrier Roller

TX1291486 A.1

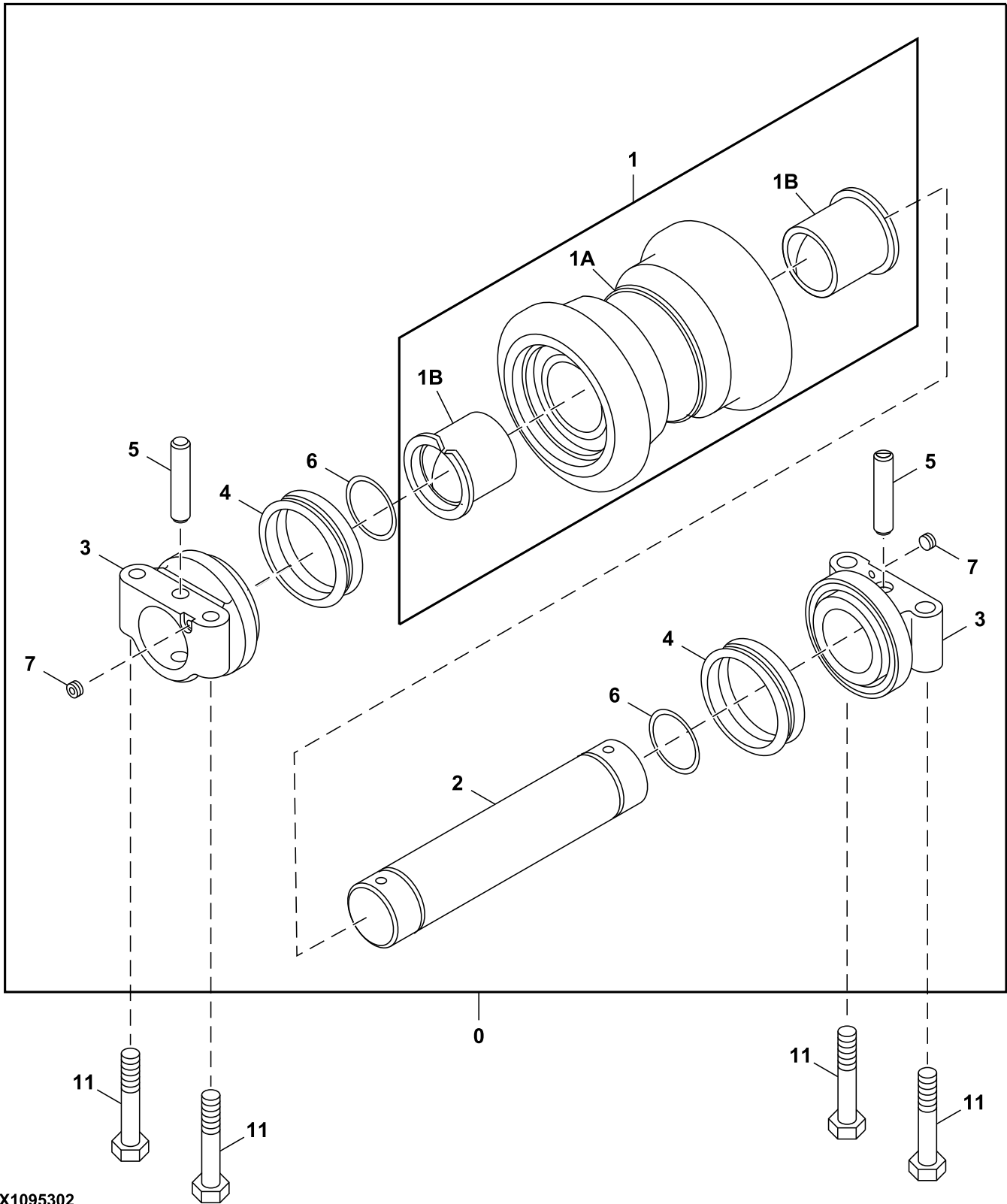


TX1291486

Key	Part No.	Part Name	Qty.	Serial No.	Remarks
0	FF101011	Carrier Roller	1		SUB FOR 9234984R AND 9234984
1	Support	1		9234985 NSEP
1A	Bushing	1		2050981 NSEP
1B	Shaft	1		3101035 NSEP
3	9300913	Roller	1		SUB FOR 9235104 AND 9300912
3A	Roller	1		7056582 NSEP
3B	3115657	Roller	1		SUB FOR 3101093
3C	3115658	Bushing	1		SUB FOR 4172349
4	AT180008	Seal	1		SUB FOR 4317584
5	Thrust Washer	1		4614277 NSEP
6	AT180006	Screw	2		SUB FOR M351020
7	Cover	1		3101117 NSEP
8	942011	Fitting Plug	1		SUB FOR 94-2011 AND 4315607
11	19M8020	Cap Screw	4		M16 X 100, SUB FOR J931600

Lower Track Roller

TX1095302 B.1

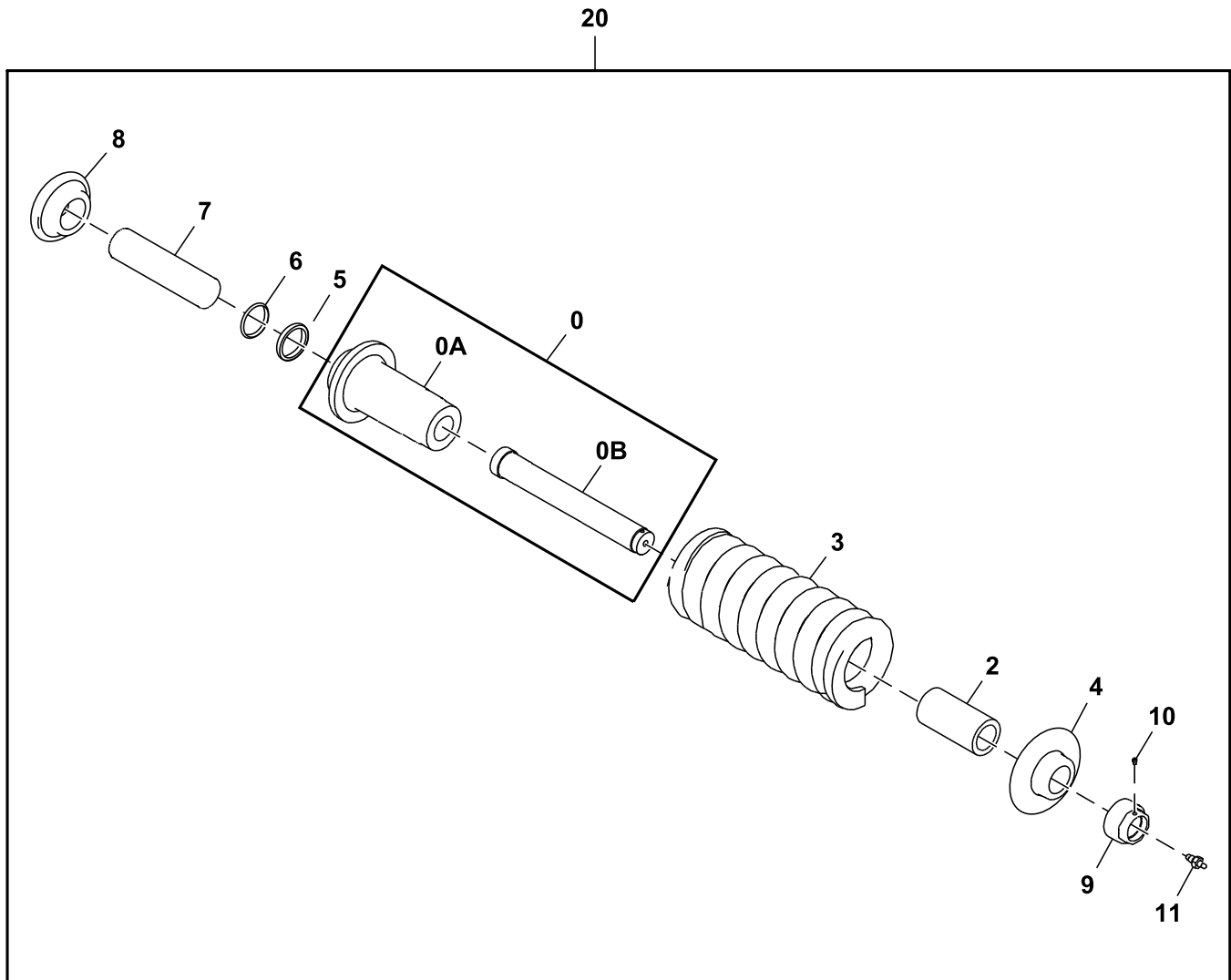


TX1095302

Key	Part No.	Part Name	Qty.	Serial No.	Remarks
0	FF101012	Bottom Roller	1		SUB FOR AT332621 AND AT444699
1	Roller	1		9156396 NSEP
1A	Roller	1		7031988 NSEP
1B	AT180013	Bushing	2		SUB FOR 3047030
2	Axle	1		3046945 NSEP
3	Support	2		2036934 NSEP
4	AT180011	Seal	2		SUB FOR 4317586
5	Pin	2		4137684 NSEP
6	AT180012	O-Ring	2		
7	AT180007	Fitting Plug	2		SUB FOR 4315607
11	4331851	Cap Screw	4		

Track Chain Adjuster

TX1095295 C.1

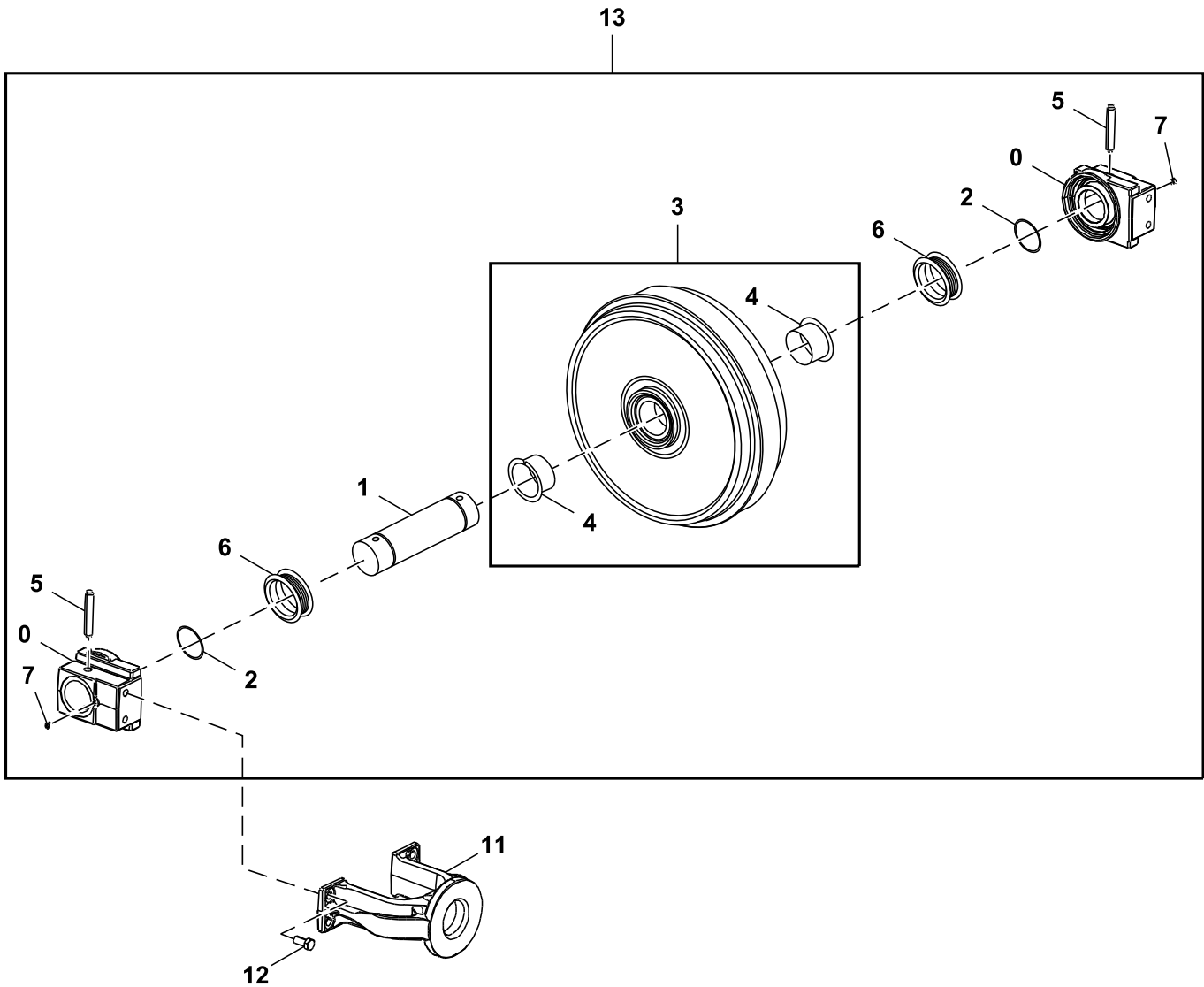


TX1095295

Key	Part No.	Part Name	Qty.	Serial No.	Remarks
0	9243238R	Cylinder	1		SUB FOR 9243238
0A	Cylinder	1		2051413 NLA
0B	Rod	1		3103151 NLA
2	4625482R	Spacer	1		SUB FOR 4625482
3	3102993R	Spring	1		SUB FOR 3102993
	FYA00042760	Spring	1		For Harsh Environment, SUB FOR 3118592
4	3103149R	Washer	1		SUB FOR 3103149
5	4412826R	Seal	1		SUB FOR 4412826
6	4412827R	Seal	1		SUB FOR 4412827
7	3103150R	Rod	1		SUB FOR 3103150
8	DH400366	Flange	1		SUB FOR 3103148
9	4412710R	Nut	1		SUB FOR 4412710
10	AT180047	Fitting Plug	1		SUB FOR 4248106
11	4255055R	Valve	1		Grease, SUB FOR 4255055
20	Adjuster	1		9243267 NLA, FURNISH COMPONENTS

Track Chain Idler (- 340516)

TX1095293 B.1

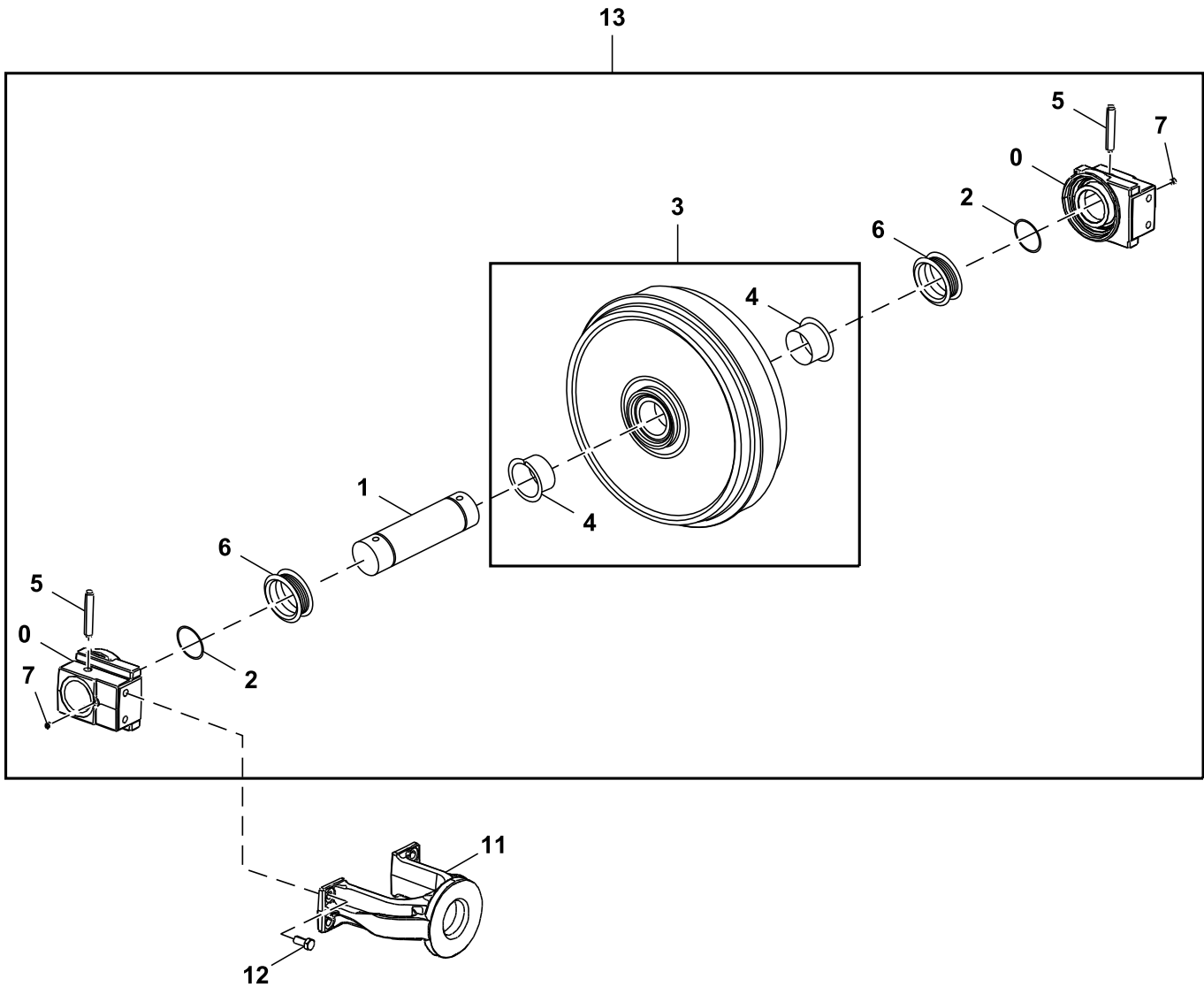


TX1095293

Key	Part No.	Part Name	Qty.	Serial No.	Remarks
0	1032503R	Bearing	2		SUB FOR 1032503
1	3070162R	Axle	1		SUB FOR 3070162
2	O-Ring	2		AT180019 AND A810070 NSEP
3	9242963R	Idler	1		SUB FOR 9242963
3A	Idler	1		7047084 NSEP
3B	3103096R	Bushing	2		SUB FOR 3103096
5	4126209R	Pin	2		SUB FOR 4126209
6	Seal	2		AT180017, 4153731 AND TH100433 NSEP
7	942011	Fitting Plug	2		SUB FOR 94-2011 AND 4315607
11	DH100029	Yoke	1		SUB FOR 1026777
12	19M8035	Cap Screw	4		M16 X 35, SUB FOR J901635
13	9242964R	Track Idler	1		SUB FOR 9242964
14	Track Idler	1		9242965 NLA, Furnish Components

Track Chain Idler (340517 -)

TX1095293 B.1

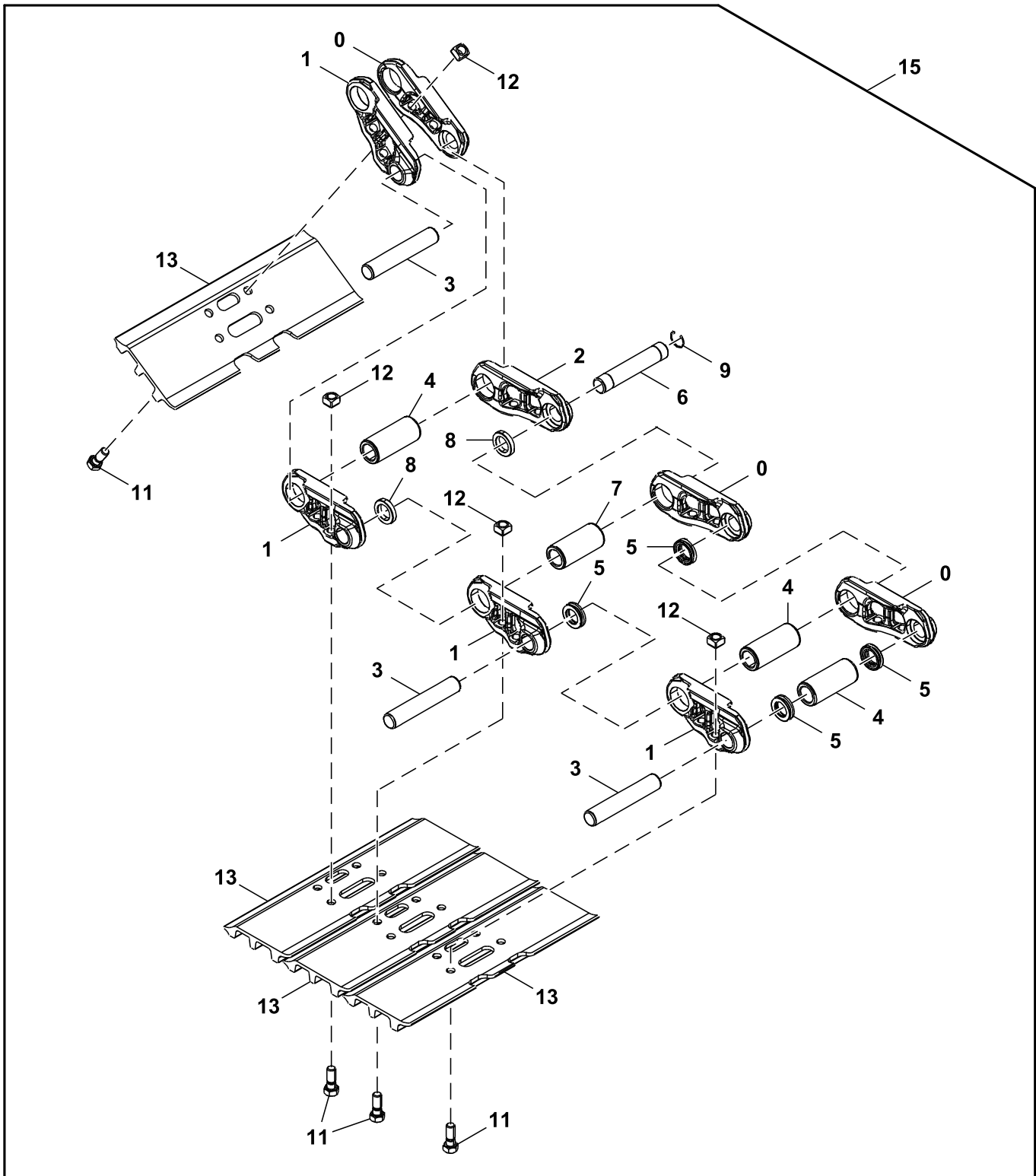


TX1095293

Key	Part No.	Part Name	Qty.	Serial No.	Remarks
0	1032503R	Bearing	2		SUB FOR 1032503
1	3070162R	Axle	1		SUB FOR 3070162
2	O-Ring	2		AT180019 AND A810070 NSEP
3	9242963R	Idler	1		SUB FOR 9242963
3A	Idler	1		7047084 NSEP
3B	3103096R	Bushing	2		SUB FOR 3103096
5	4126209R	Pin	2		SUB FOR 4126209
6	Seal	2		AT180017, 4153731 AND TH100433 NSEP
7	942011	Fitting Plug	2		SUB FOR 94-2011 AND 4315607
11	DH100029	Yoke	1		SUB FOR 1026777
12	19M8035	Cap Screw	4		M16 X 35, SUB FOR J901635
13	AT450665	Idler	1		
14	Track Idler	1		9242965 NLA, Furnish Components

Track Chain Assembly, Standard

TX1095305 B.1



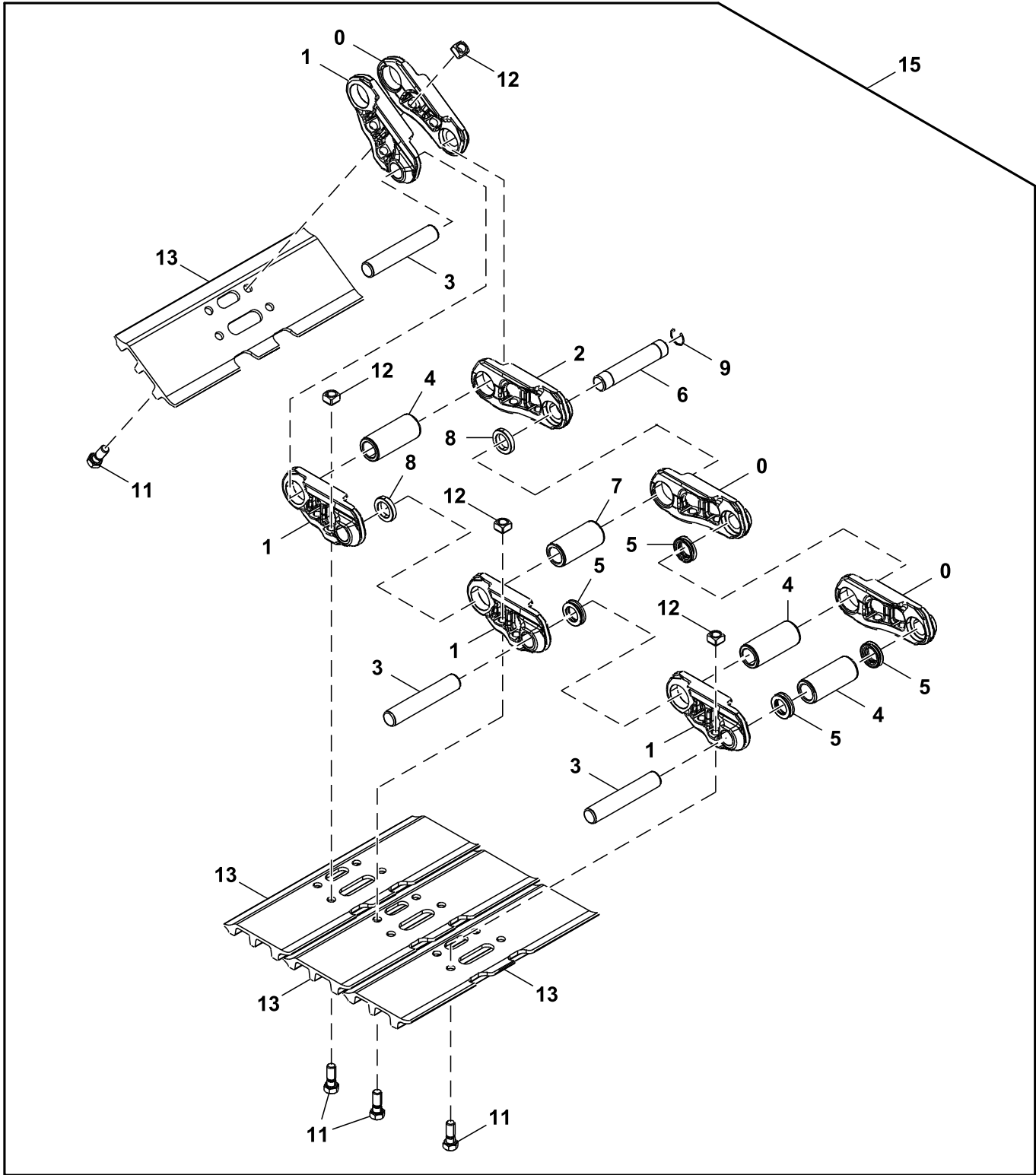
TX1095305

10 — 0,1,2,3,4,5,6,7,8,9

Key	Part No.	Part Name	Qty.	Serial No.	Remarks
0	0005251R	Track Link	45		SUB FOR 0005251, RH
1	0005252R	Track Link	46		SUB FOR 0005252, LH
2	4633367R	Master Track Link	1		SUB FOR 4633367
3	AT180028	Pin Fastener	45		SUB FOR 4314671
4	FF550704	Bushing	45		SUB FOR AT186162 AND 4386609
5	AT186161	Seal	90		SUB FOR 4408124
6	T209260	Master Track Pin	1		Master Track Pin, SUB FOR 4267743
7	AT219468	Bushing	1		Master Track Bushing, SUB FOR 4345302
8	AT219471	Spacer	2		Master Track Seal, SUB FOR 4379310
9	T209259	Snap Ring	1		SUB FOR 4192666
10	FF550745	Track Chain W/O Shoes	1		SUB FOR 9248706
11	4631640	Bolt	184		SUB FOR T139614 OR 4659287
12	T139615	Nut	184		SUB FOR 4255638
13	AT219482	Open Center 3 Bar Shoe	46		600 mm, SUB FOR 2050647 OR 2050647R
	AT219483	Open Center 3 Bar Shoe	46		700 mm, SUB FOR 2053495 OR 2053495R
	AT219484	Open Center 3 Bar Shoe	46		800 mm, SUB FOR 2053496 OR 2053496R
15	Open Center 3 Bar Shoe	2		600 mm, 9248705 NLA
	Open Center 3 Bar Shoe	2		700 mm, 9264202 NLA
	Open Center 3 Bar Shoe	2		800 mm, 9264203 NLA

Track Chain Assembly, Long Carriage

TX1095305 B.1



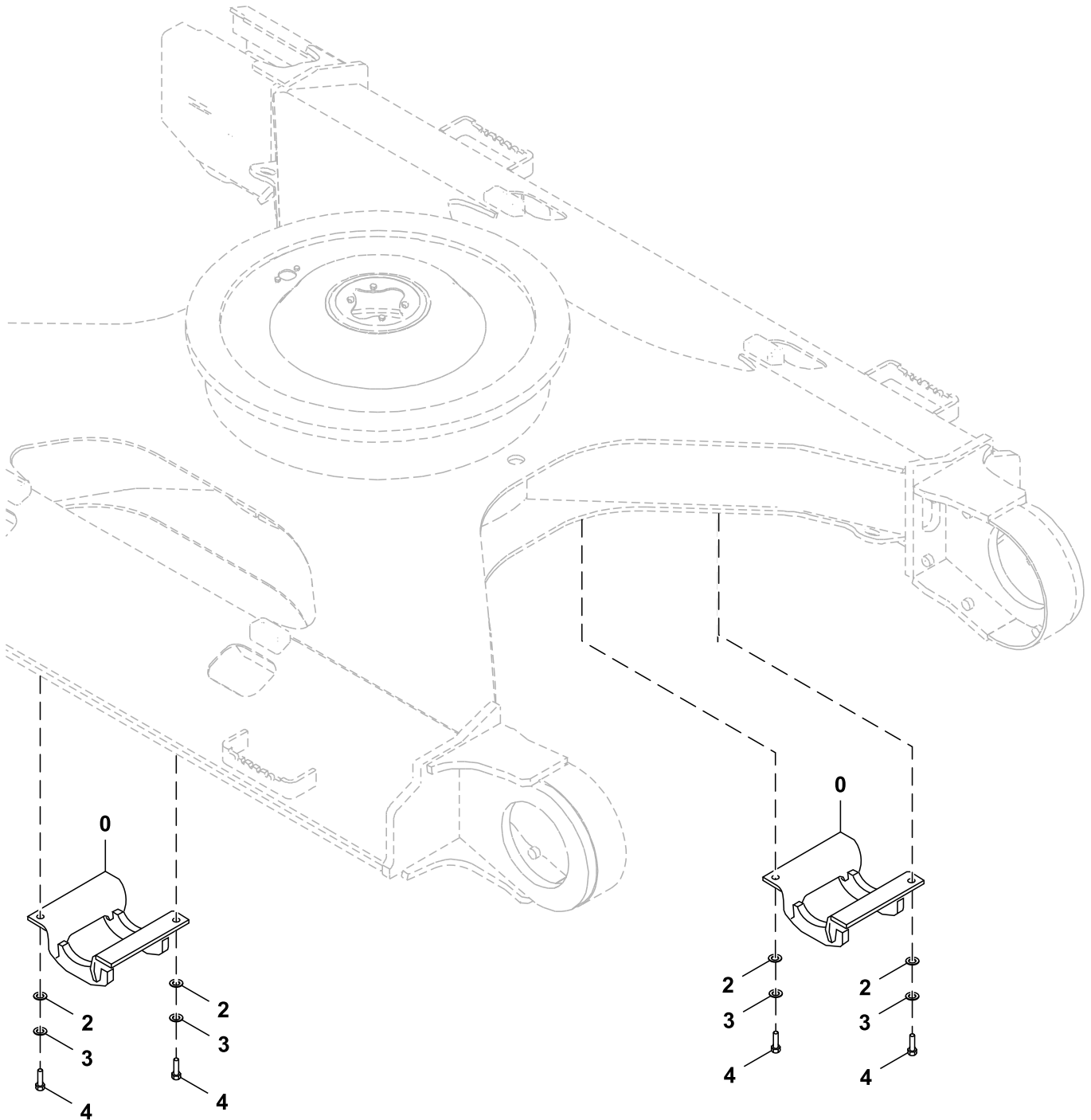
TX1095305

10 — 0,1,2,3,4,5,6,7,8,9

Key	Part No.	Part Name	Qty.	Serial No.	Remarks
0	0005251R	Track Link	48		SUB FOR 0005251, Right Hand
1	0005252R	Track Link	49		SUB FOR 0005252, Left Hand
2	4633367R	Master Track Link	1		SUB FOR 4633367
3	AT180028	Pin Fastener	48		SUB FOR 4314671
4	FF550704	Bushing	48		SUB FOR 4386609 AND AT186162
5	AT186161	Seal	96		SUB FOR 4408124
6	T209260	Master Track Pin	1		SUB FOR 4267743, Master Track Pin
7	AT219468	Bushing	1		SUB FOR 4345302, Master Track Bushing
8	AT219471	Spacer	2		SUB FOR 4379310, Master Track Seal
9	T209259	Snap Ring	1		SUB FOR 4192666
10	FF550746	Track Chain W/O Shoes	1		SUB FOR 9250500R
11	4631640	Bolt	196		SUB FOR T139614 OR 4659287
12	T139615	Nut	196		SUB FOR 4255638
13	AT219482	Open Center 3 Bar Shoe	49		SUB FOR 2050647 OR 2050647R, 600 mm (1.97 ft)
	AT219483	Open Center 3 Bar Shoe	49		SUB FOR 2053495 OR 2053495R, 700 mm (2.27 ft)
	AT219484	Open Center 3 Bar Shoe	49		SUB FOR 2053496 OR 2053496R, 800 mm, (2.62 ft)
	T186383	Open Center 1 Bar Shoe	49		700 mm (2.27 ft)
15	9250499R	Track Assembly With Shoes	2		SUB FOR 9250499, 600 mm (1.97 ft)
	9264205R	Track Assembly With Shoes	2		SUB FOR 9264205, 700 mm (2.27 ft)
	DH900845	Track Assembly With Shoes	2		SUB FOR 9264206R, 800 mm (2.62 ft)
	FF507969	Track Assembly With Shoes	2		700 mm (2.27 ft), One Bar Shoe

Lower Roller Guard

TX1095299 B.1

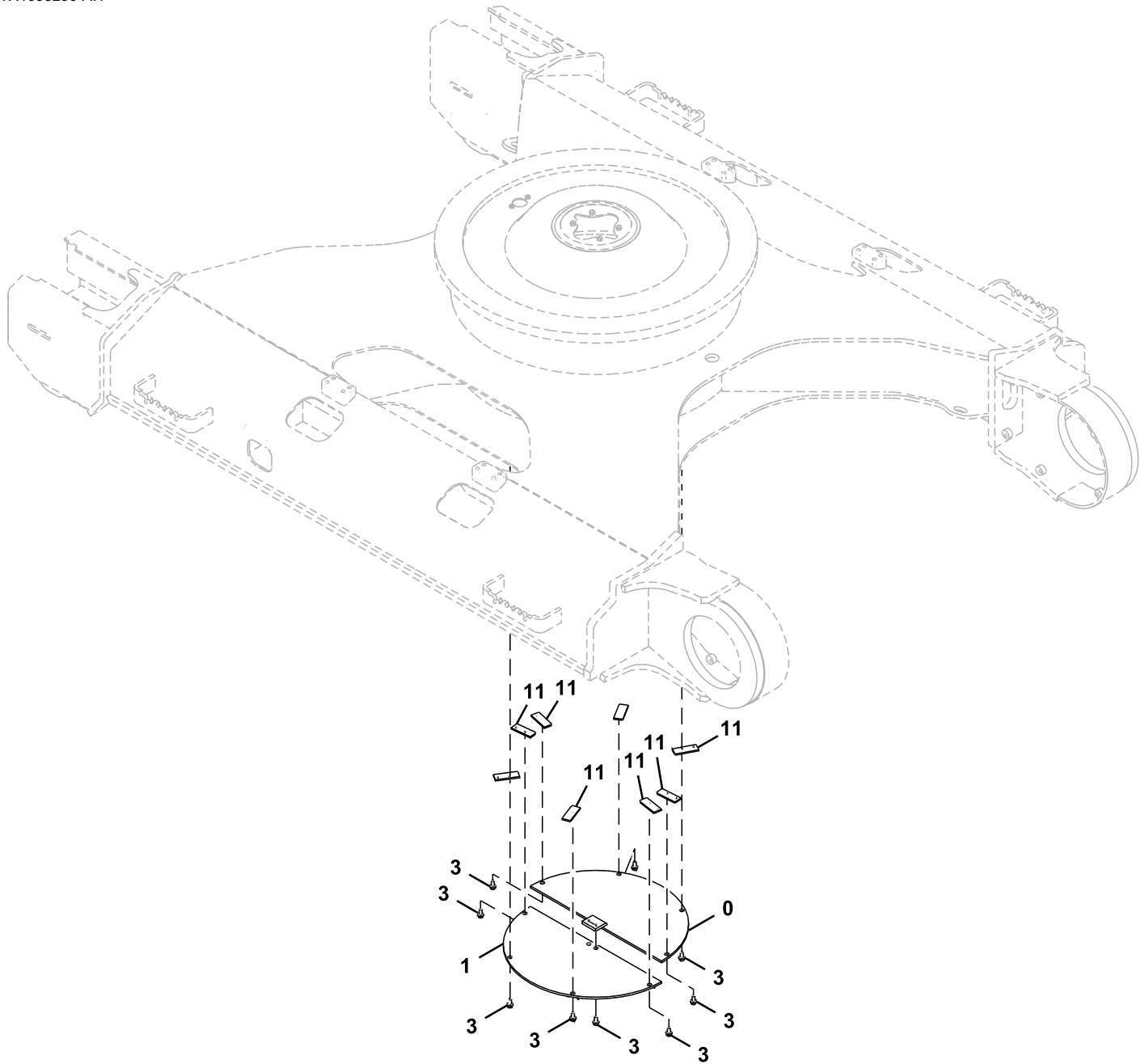


TX1095299

Key	Part No.	Part Name	Qty.	Serial No.	Remarks
0	8097015	Guard	2		Lower Roller
2	4114406	Washer	8		19 X 36 X 4.500 mm (0.748" X 1.417" X 0.177")
3	12H236	Lock Washer	8		3/4", SUB FOR A590918
4	19M8232	Cap Screw	8		M18 X 50, SUB FOR 4252880

Track Frame Bottom Cover (- 340456)

TX1095290 A.1

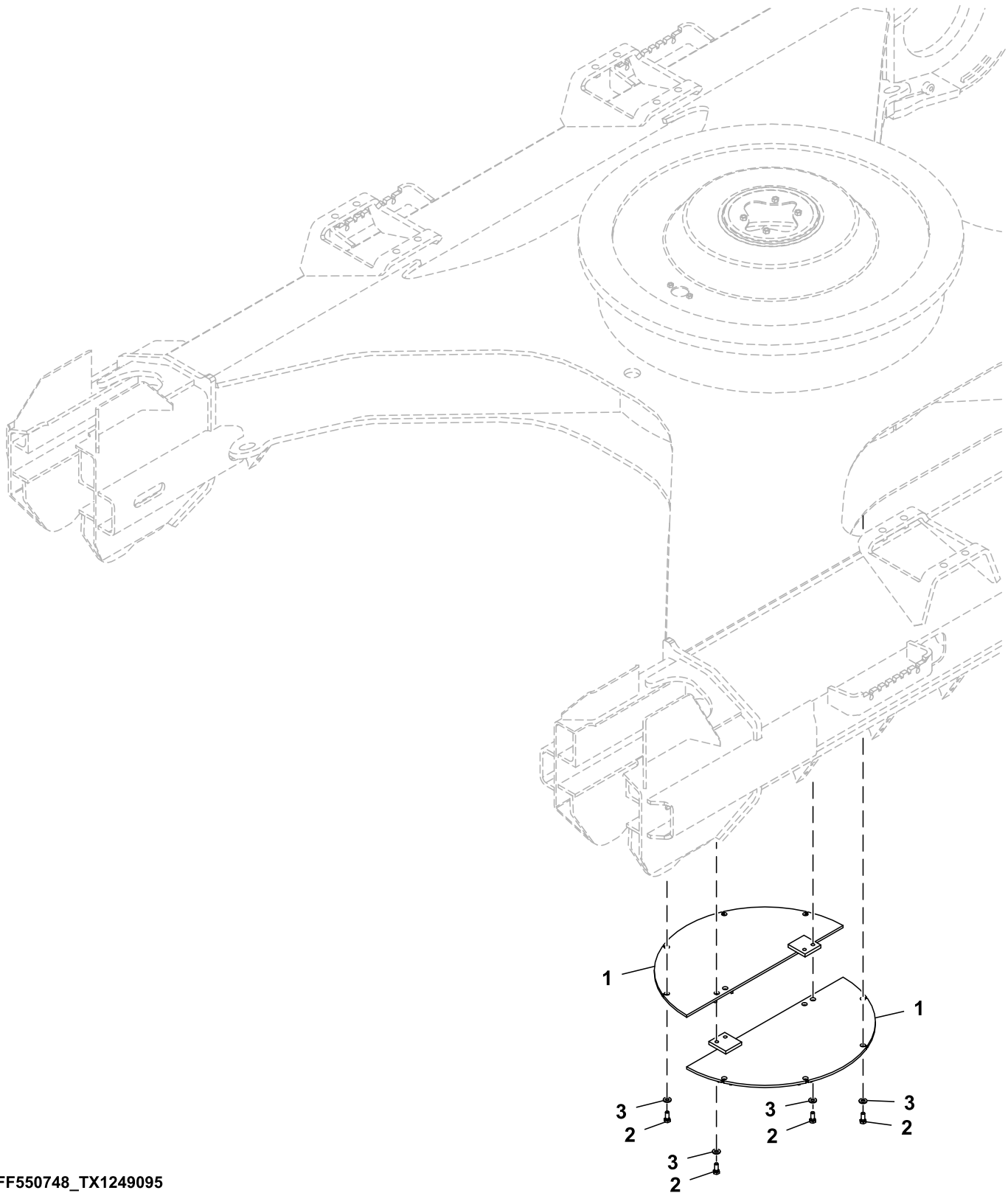


TX1095290

Key	Part No.	Part Name	Qty.	Serial No.	Remarks
0	9738383	Cover	1		
1	9738384	Cover	1		
3	Screw With Washer	10		J271230 NLA
	19M8011	Cap Screw	10		M12 X 30, SUB FOR J901230
	24M7345	Washer	10		13.500 X 24 X 2.500 mm, SUB FOR J222012
11	4156540	Retainer	8		

Track Frame Bottom Cover (340457 -)

TX1249095 A.1

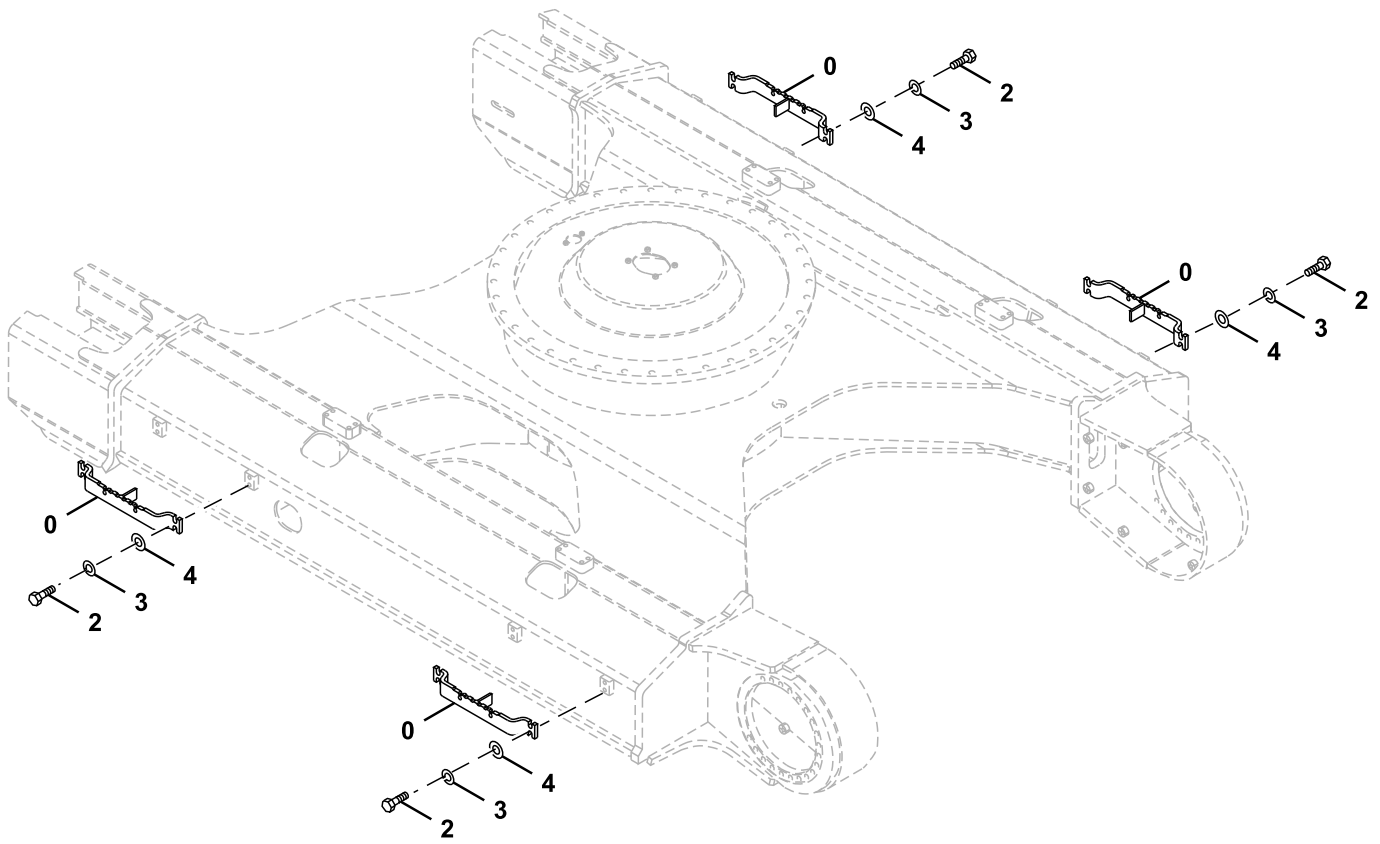


FF550748_TX1249095

Key	Part No.	Part Name	Qty.	Serial No.	Remarks
1	FF550636	Cover	2		
2	19M8011	Cap Screw	12		M12 X 30, SUB FOR J901230
3	DH400704	Washer	12		

Step

TX1148770 A.1

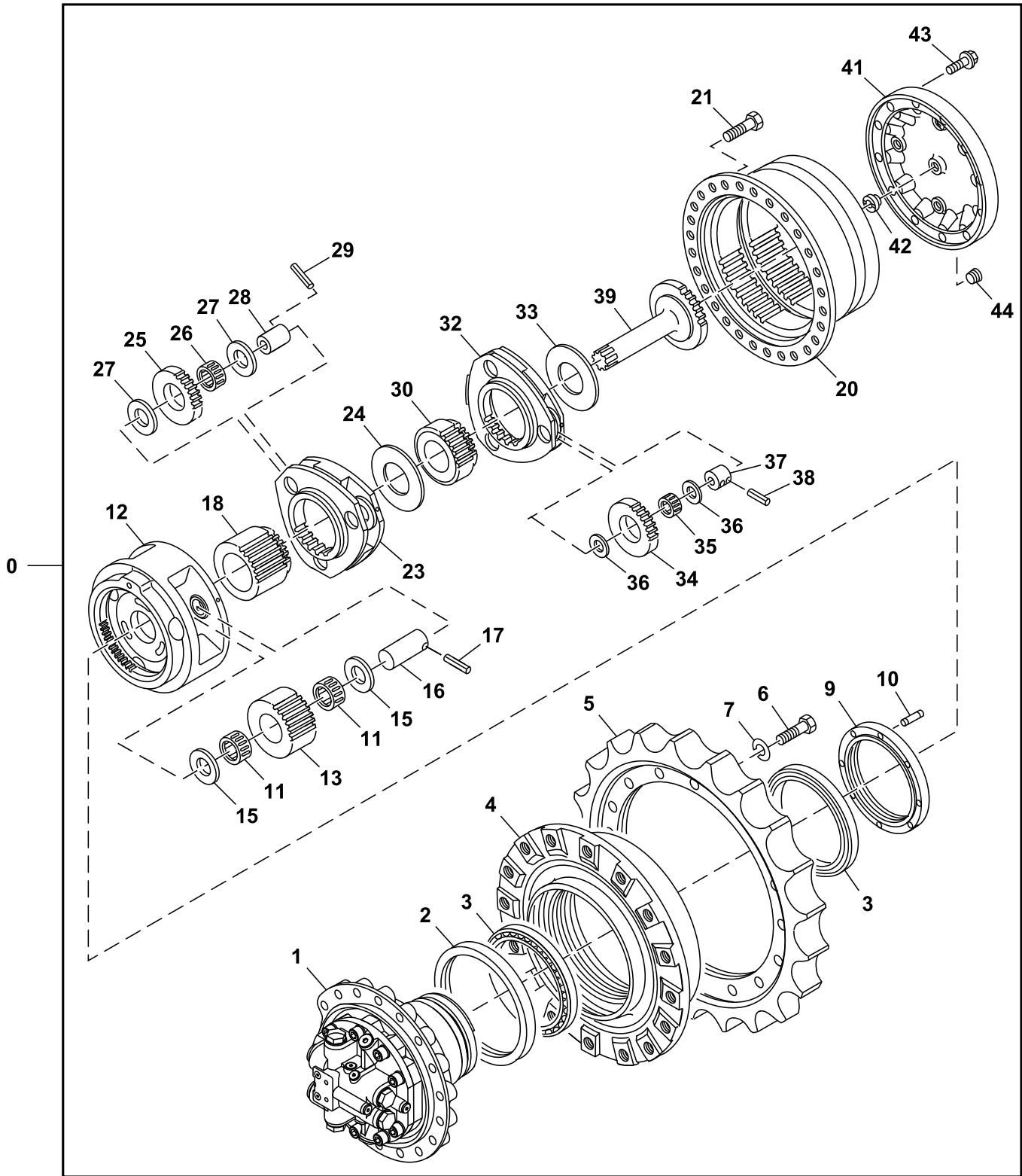


TX1148770

Key	Part No.	Part Name	Qty.	Serial No.	Remarks
0	9755974	Step	4		
2	19M7489	Cap Screw	16		M16 X 45, SUB FOR J901645
3	12H294	Lock Washer	16		5/8", SUB FOR A590916
4	24M7338	Washer	16		17 X 30 X 3 mm, SUB FOR J222016

Travel Motor Gear Case Components

TX1102901 B.1

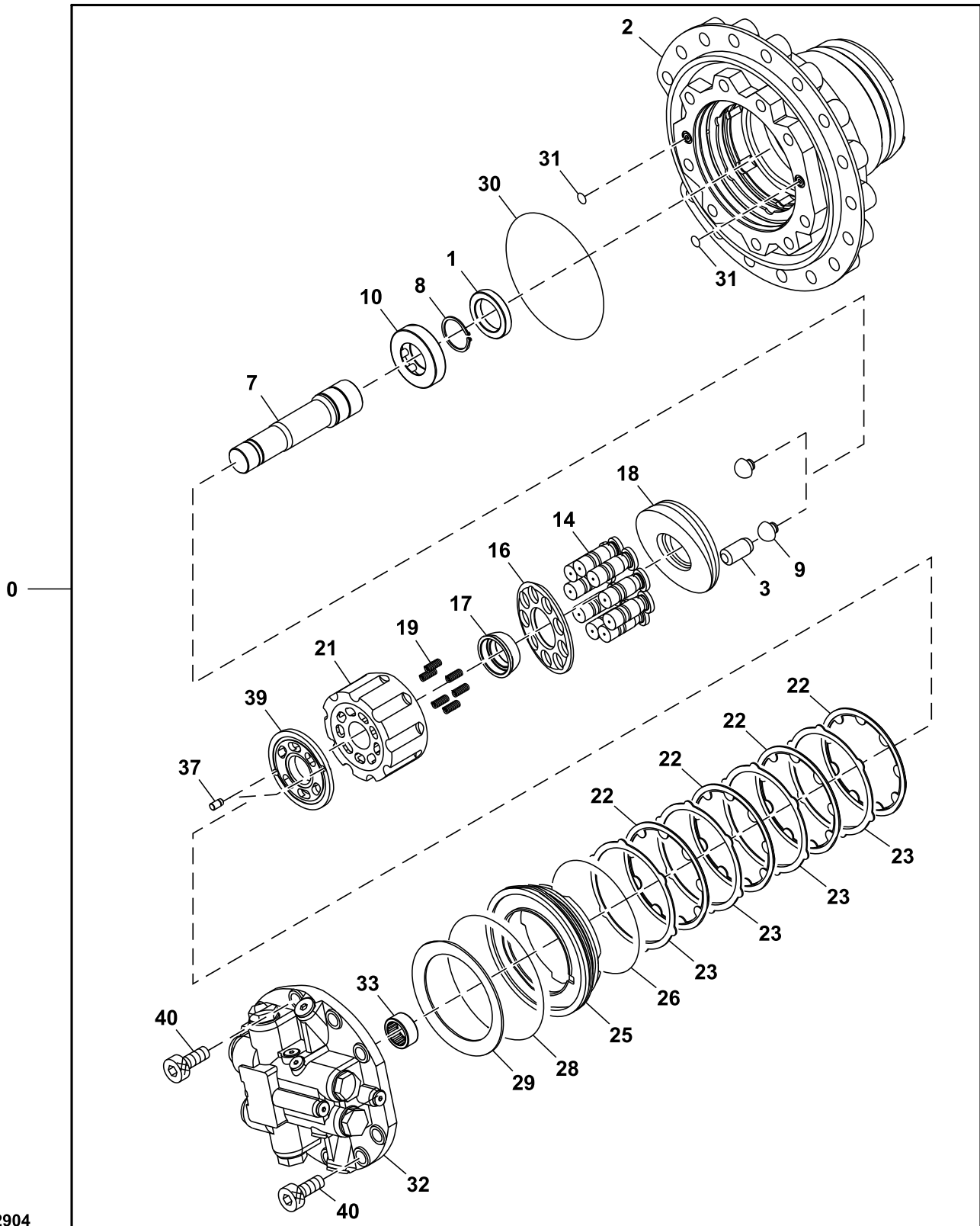


TX1102901

Key	Part No.	Part Name	Qty.	Serial No.	Remarks
0	Hydraulic Motor	1	-XXXXXX	FYB60001965 NLA, SUB FOR 9261222 AND 9233692, Furnish Components
1	9258325	Hydraulic Motor Hydraulic Motor	1 1	XXXXXX-	FYB60001965 NLA, Furnish Components NLA, ORDER PG200139, Travel, Components On Another Page
	PG200139	Hydraulic Motor Reman	1		REMAN FOR 9258325, SUB FOR 9257254, Travel, Components On Another Page
2	FYB00000549	Seal	1		Contains 2 Seals, SUB FOR 4634693
3	4697840	Bearing	2		SUB FOR 4246793
4	1033090	Drum	1		
5	1033091	Chain Sprocket	1		SUB FOR 4S00862
6	19M8002	Cap Screw	18		M20 X 55, SUB FOR J932055
7	A590920	Lock Washer	18		
9	3086531	Ring	1		
10	4436242	Pin Fastener	1		
11	4713899	Bearing	6		SUB FOR 4438593
12	1025875	Planet Pinion Carrier	1		
13	3084353	Gear	3		
15	4284521	Shim	6		
16	4315838	Pin Fastener	3		
17	34M7133	Spring Pin	3		8 X 70 mm, SUB FOR 4116309
18	3082156	Sun Gear	1		
20	1037164	Housing	1		SUB FOR 1025787
21	19M7488	Cap Screw	24		M16 X 40, SUB FOR J931640
23	2042432	Planet Pinion Carrier	1		
24	4401293	Spacer	1		
25	3082155	Gear	3		
26	4438592	Needle Bearing	3		
27	4192982	Plate	6		
28	4402086	Pin Fastener	3		
29	4192020	Spring Pin	3		
30	3082149	Sun Gear	1		
32	2050691	Carrier Roller	1		
33	4401293	Spacer	1		
34	3100544	Gear	3		
35	4406589	Needle Bearing	3		
36	4192910	Plate	6		
37	FYB00000839	Pin	3		SUB FOR 4210853
38	4173093	Spring Pin	3		
39	2050692	Shaft	1		
41	FYB00002882	Cover	1		SUB FOR 2034833
42	4478346	Pin	1		
43	19M8011	Cap Screw	12		M12 X 30, SUB FOR 4609016
44	942013	Fitting Plug	3		SUB FOR 4245797

Travel Motor Components

TX1102904 C.1

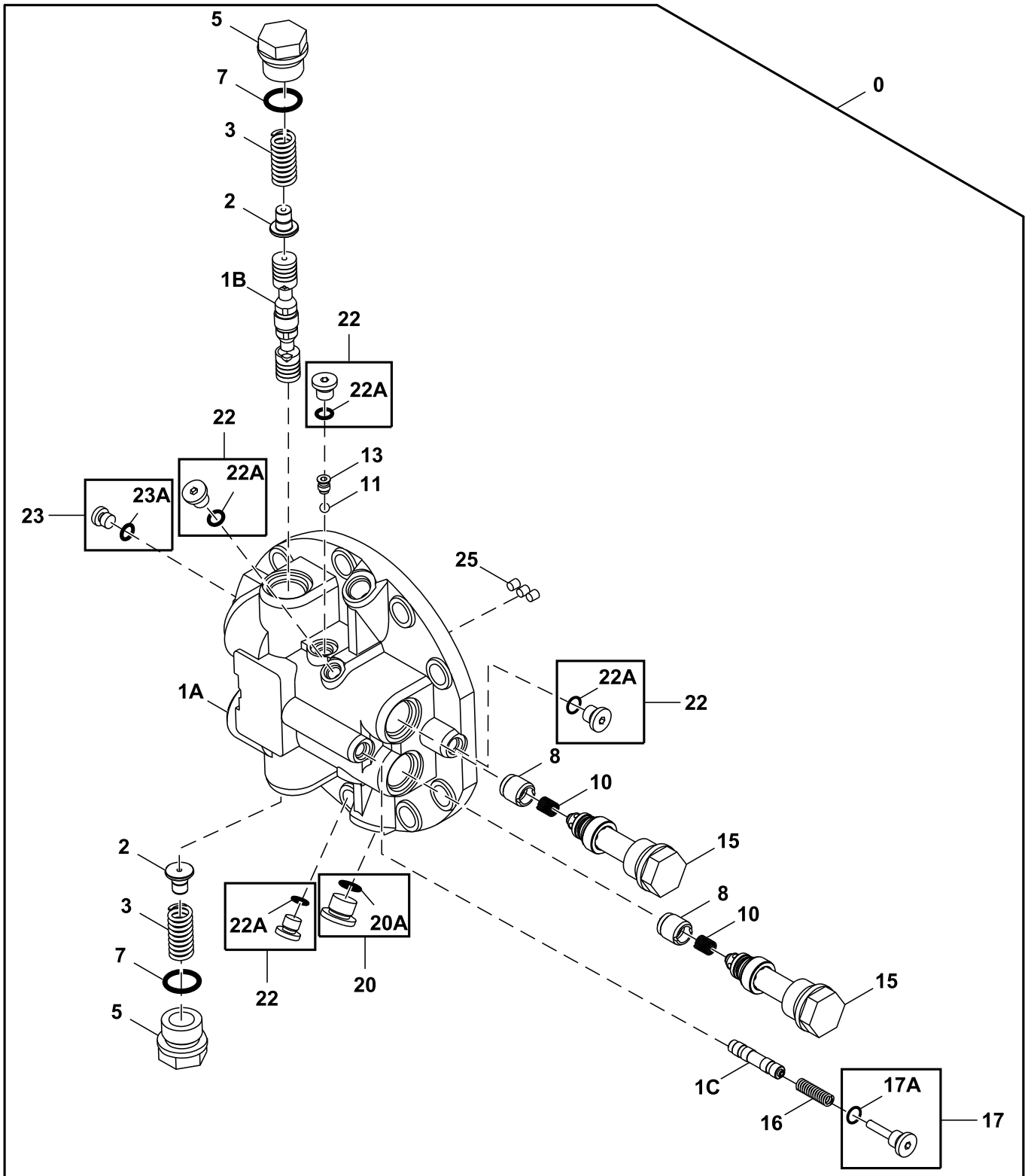


TX1102904

Key	Part No.	Part Name	Qty.	Serial No.	Remarks
0	9258325	Hydraulic Motor	1		Travel Motor
	PG200139	Hydraulic Motor Reman	1		Travel Motor, REMAN FOR 9258325 ; SUB FOR 9257254
1	4613831	Seal	1		
2	Housing	1		1031123 NSEP
3	4601724	Piston	1		
7	2049166	Universal Driveshaft	1		
8	40M7047	Snap Ring	1		SUB FOR 959499
9	4600108	Pin	2		
10	TH4600133	Roller	1		SUB FOR 4600133
14	8099321	Piston	9		
16	3081570	Retainer	1		
17	4397757	Bushing	1		
18	2050565	Swash Plate	1		
19	4396747	Spring	6		
21	2051451	Rotor	1		
22	FYB00002175	Plate	4		SUB FOR 3081593; ALSO ORDER FYB00002174
23	FYB00002174	Plate	4		SUB FOR 3081592; ALSO ORDER FYB00002175
25	3081595	Piston	1		
26	4396775	O-Ring	1		
28	4396774	O-Ring	1		
29	3081594	Spring	1		
30	4420958	O-Ring	1		
31	T111819	O-Ring	2		SUB FOR 4506415
32	9260003	Valve	1		Travel Motor Brake Valve, Components On Separate Page, SUB FOR 9247662
33	4631910	Needle Bearing	1		
37	4630921	Dowel Pin	2		
39	3106481	Plate	1		
40	M341850	Bolt	9		

Travel Motor Brake Valve Components

TX1095344 B.1



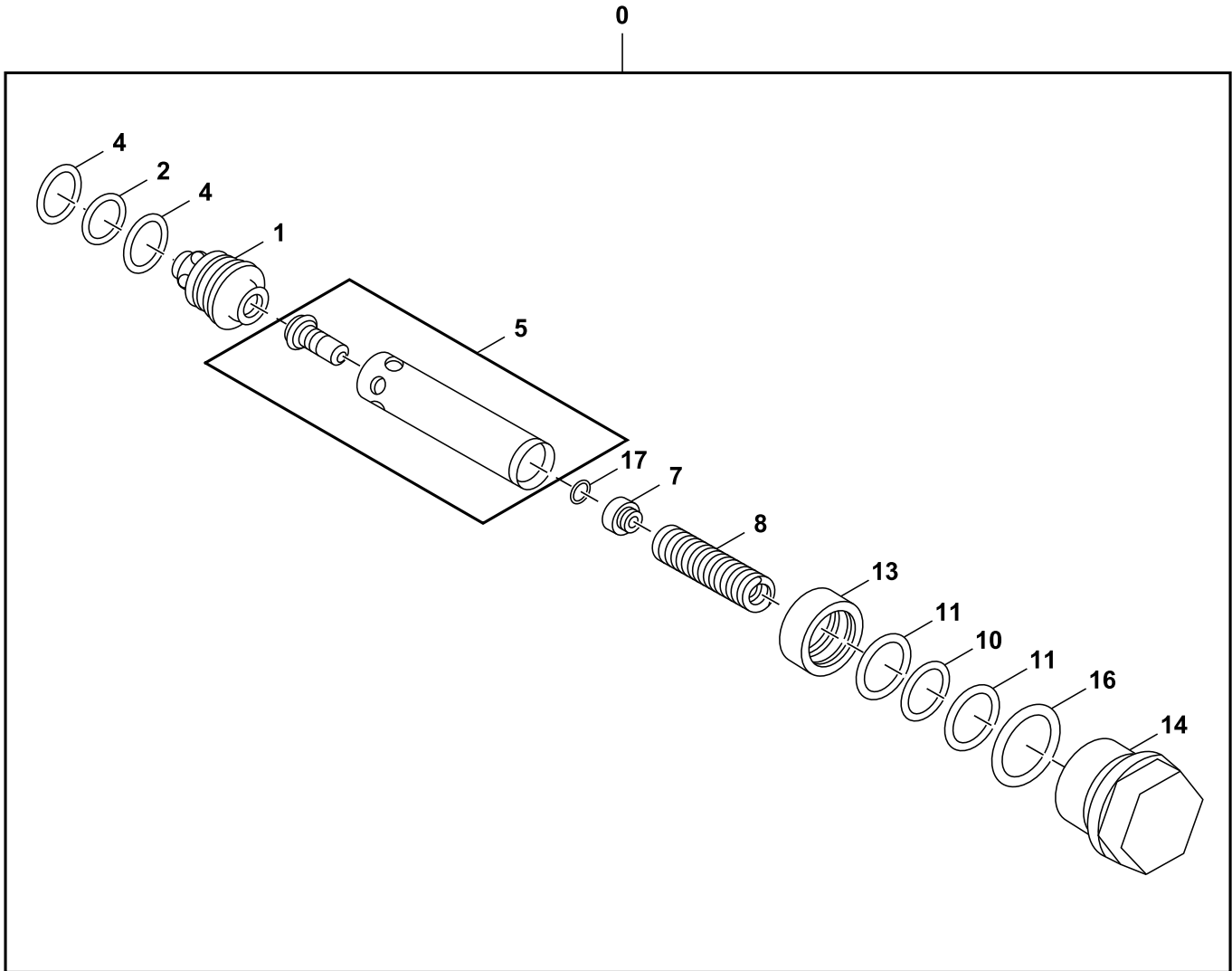
TX1095344

1 — 1A,1B,1C

Key	Part No.	Part Name	Qty.	Serial No.	Remarks
0	9260003	Valve	1		Travel Motor Brake Valve
1	8099406	Case	1		
1A	Manifold	1		NSEP
1B	Valve Spool	1		NSEP
1C	Valve Spool	1		NSEP
2	4602024	Spool	2		
3	4409389	Spring	2		
5	4229631	Drain Plug	2		
7	TH101926	O-Ring	2		28.700 X 3.500 mm (1.130" X 0.138"), SUB FOR 4506429
8	4397022	Poppet	2		
10	4396771	Spring	2		
11	R26552	Ball	1		7.938 mm (5/16"), SUB FOR 4509493
13	4398281	Seat	1		
15	9185757	Pressure Relief Valve	2		Travel Motor Crossover Relief Valve, Components On Separate Page
16	4297257	Compression Spring	1		
17	9167977	Pipe Plug	1		
17A	957366	O-Ring	1		
20	9134112	Fitting Plug	1		
20A	4506418	O-Ring	1		
22	9134110	Fitting	4		
22A	957366	O-Ring	1		
23	9134109	Drain Plug	1		
23A	4506408	O-Ring	1		
25	15H560	Pipe Plug	3		1/16", SUB FOR 4050968

Travel Motor Crossover Relief Valve Components

TX1095345 B.1

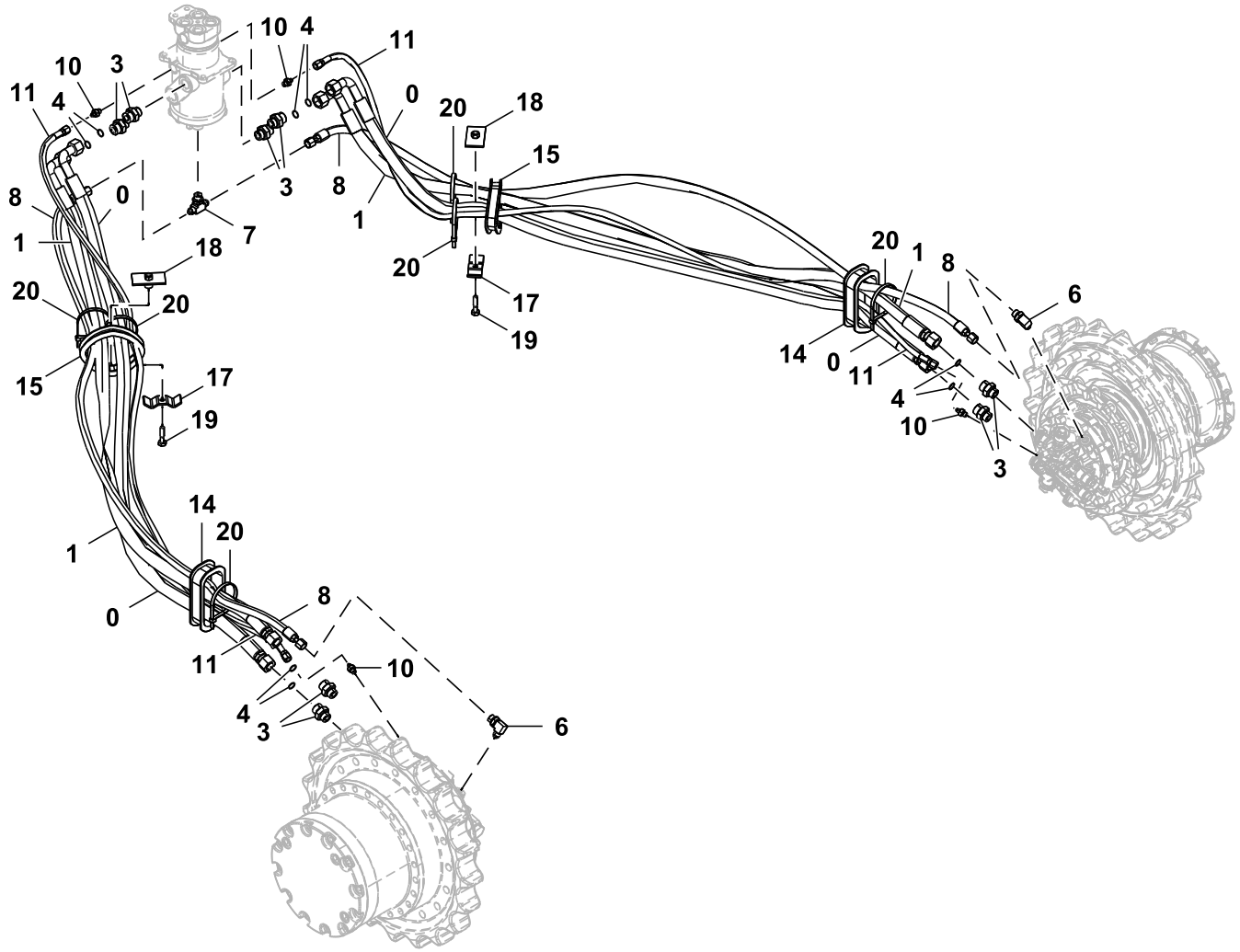


TX1095345

Key	Part No.	Part Name	Qty.	Serial No.	Remarks
0	9185757	Pressure Relief Valve	1		Travel Motor Crossover Relief Valve
1	Sleeve	1		TH3086417 NSEP
2	4506418	O-Ring	1		
4	4033725	Back-Up Ring	2		SUB FOR 4S01080
5	Valve	1		TH9753750 NSEP
7	Guide	1		TH4396955 NSEP
8	Spring	1		TH4396836 NSEP
10	CH12329	Packing	1		
11	4027959	Back-Up Ring	2		
13	Piston	1		TH4396950 NSEP
14	4397029	Pipe Plug	1		
16	TH101926	O-Ring	1		28.700 X 3.500 mm (1.130" X 0.138"), SUB FOR 4506429
17	24M7029	Shim	1		3.2 mm (0.13 in)

Travel Motor Hydraulic Lines

TX1103802 C.1

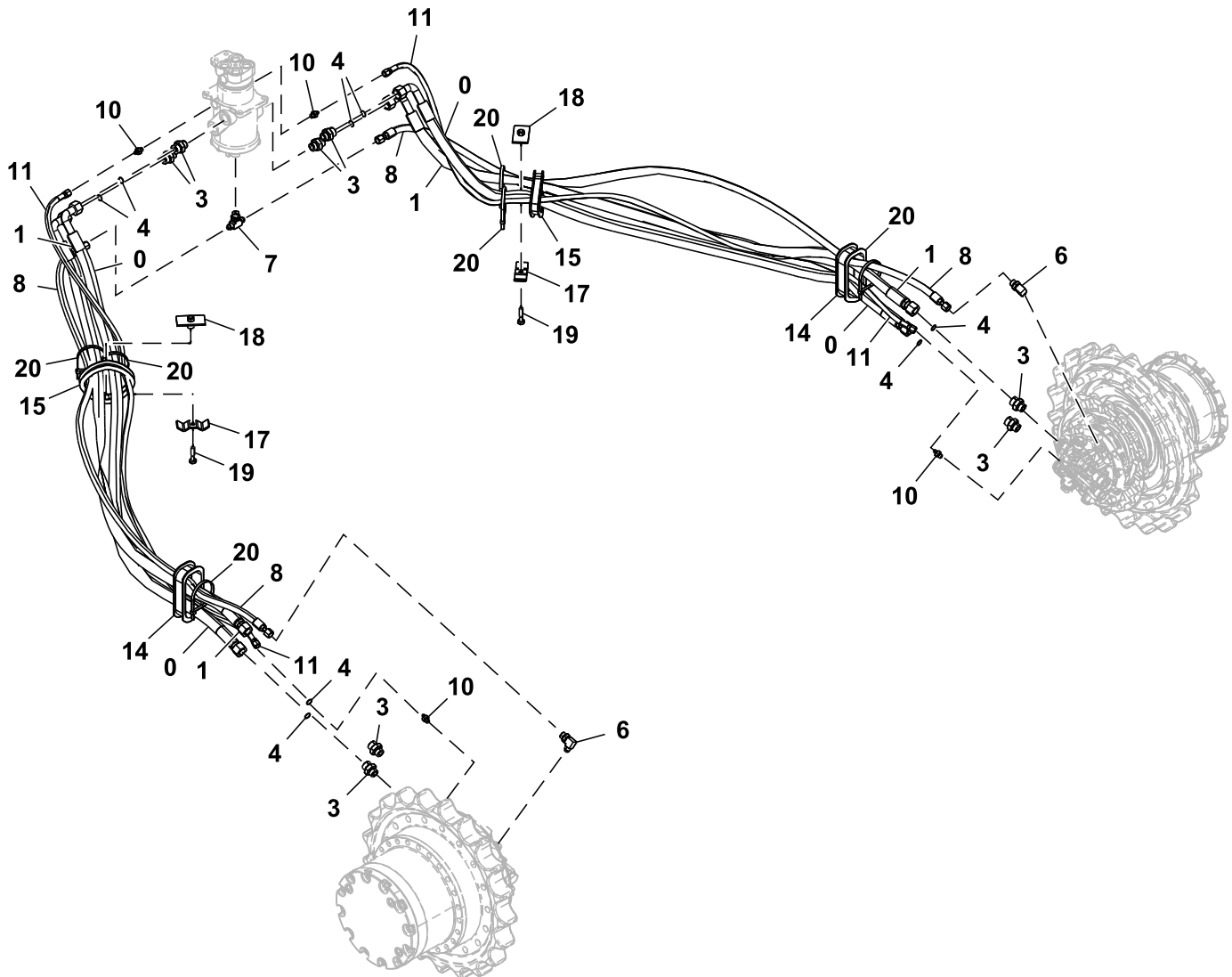


TX1103802

Key	Part No.	Part Name	Qty.	Serial No.	Remarks
0	4629655	Hose	2		
1	4629656	Hose	2		
3	A853166	Adapter Fitting	8		INCLUDES AT318035
	AT318035	O-Ring	1		SUB FOR 4506424
4	T77858	O-Ring	8		SUB FOR 4187308
6	A852344	Elbow Fitting	2		
7	A852544	Tee Fitting	1		
8	4262927	Hydraulic Hose	2		Fabricate
10	A852122	Adapter Fitting	4		
11	4447566	Hydraulic Hose	2		Fabricate
14	4437525	Grommet	2		
15	4428098	Grommet	2		
17	4202103	Clamp	2		
18	9727822	Clamp	2		
19	19M7361	Cap Screw	2		M12 X 50, SUB FOR J901250
20	H77698	Tie Band	6		SUB FOR 4121859

Travel Motor Hydraulic Lines, Long Carriage

TX1102905 D.1

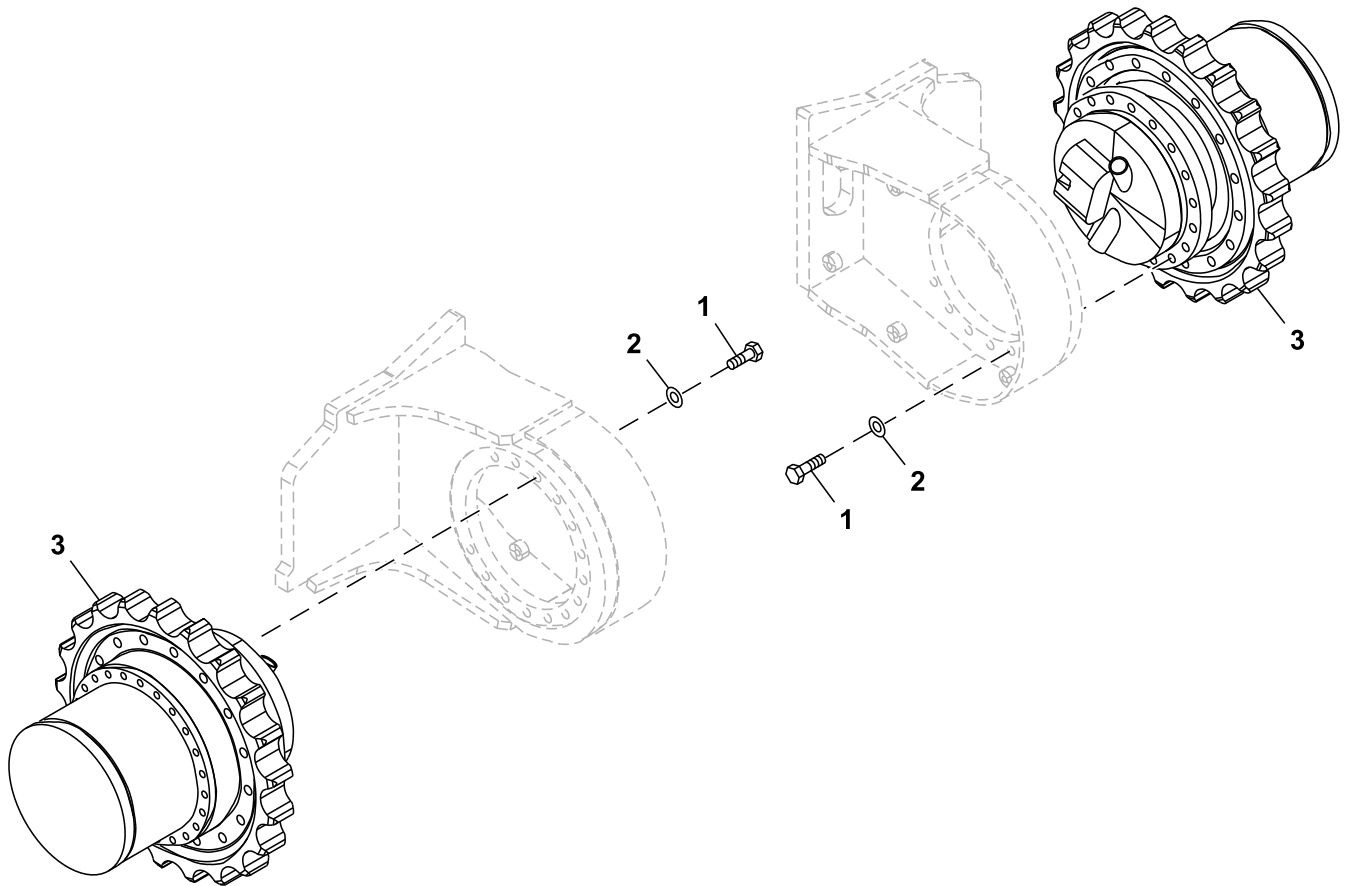


TX1102905

Key	Part No.	Part Name	Qty.	Serial No.	Remarks
0	4632449	Hydraulic Hose	2		Fabricate
1	4632450	Hydraulic Hose	2		Fabricate
3	A853166	Adapter Fitting	8		INCLUDES AT318035
	AT318035	O-Ring	1		SUB FOR 4506424
4	T77858	O-Ring	8		SUB FOR 4187308
6	A852344	Elbow Fitting	2		INCLUDES 4506418
	4506418	O-Ring	1		
7	A852544	Tee Fitting	1		INCLUDES 4506418
	4506418	O-Ring	1		
8	4267667	Hydraulic Hose	2		Fabricate
10	A852122	Adapter Fitting	4		INCLUDES 957366
	957366	O-Ring	1		
11	4449378	Hydraulic Hose	2		Fabricate
14	4437525	Grommet	2		
15	4428098	Grommet	2		
17	4202103	Clamp	2		
18	9727822	Clamp	2		
19	19M7361	Cap Screw	2		M12 X 50, SUB FOR J901250
20	H77698	Tie Band	6		SUB FOR 4121859

Travel Motor and Mounting

TX1093237 C.1

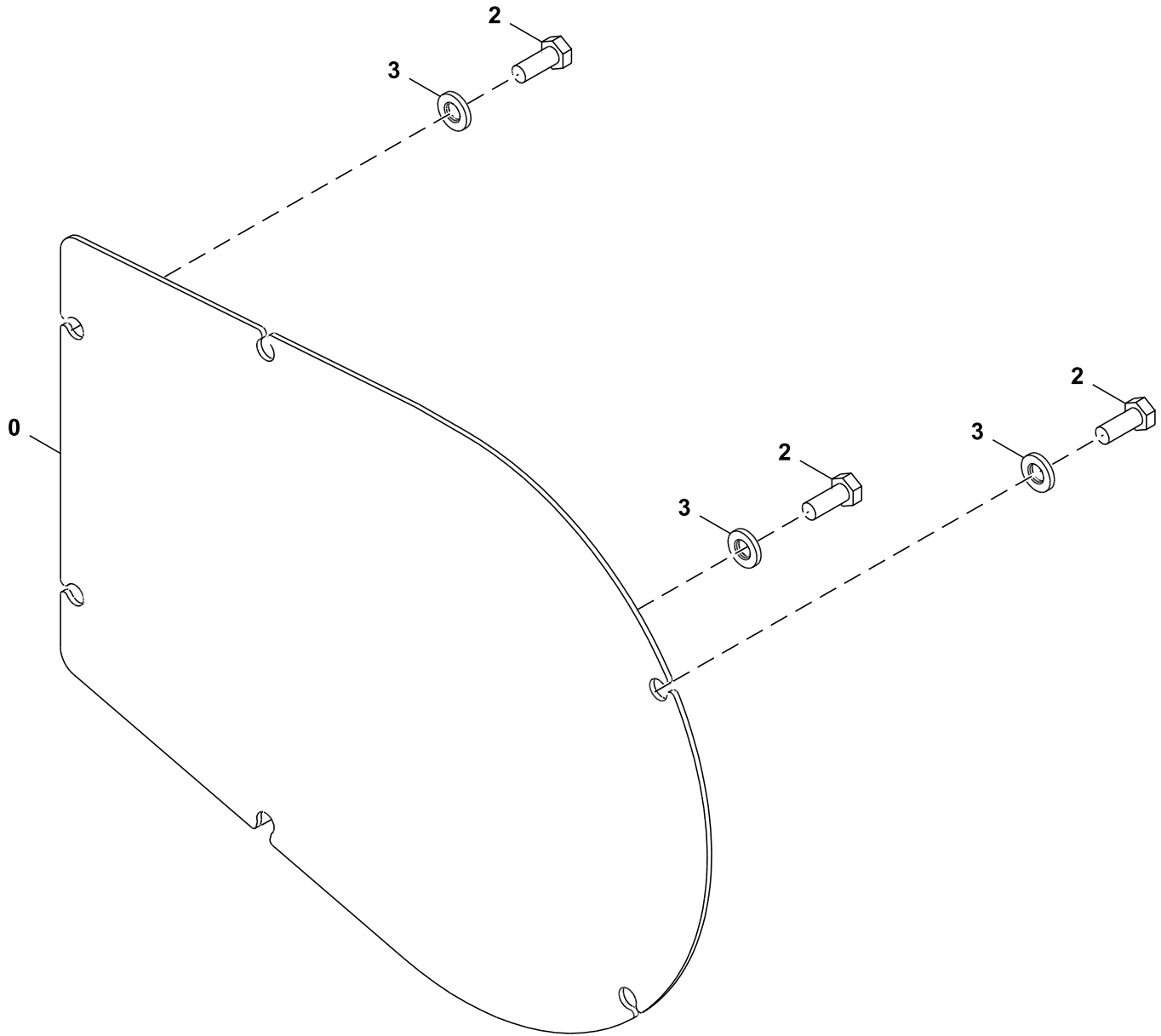


TX1093237

<i>Key</i>	<i>Part No.</i>	<i>Part Name</i>	<i>Qty.</i>	<i>Serial No.</i>	<i>Remarks</i>
1	TH111692	Cap Screw	28		M20 X 70, SUB FOR 4258061, 14 Per Motor
2	N231749	Washer	28		20.620 X 38.100 X 6.350 mm (13/16" X 1-1/2" X 1/4"), SUB FOR 4018545, 14 Per Motor
3	FYB60003495	Motor	2		SUB FOR 9261222 AND FYB60001965, Components On Separate Page, Furnish Components

Travel Motor Cover

TX1292966 A.1



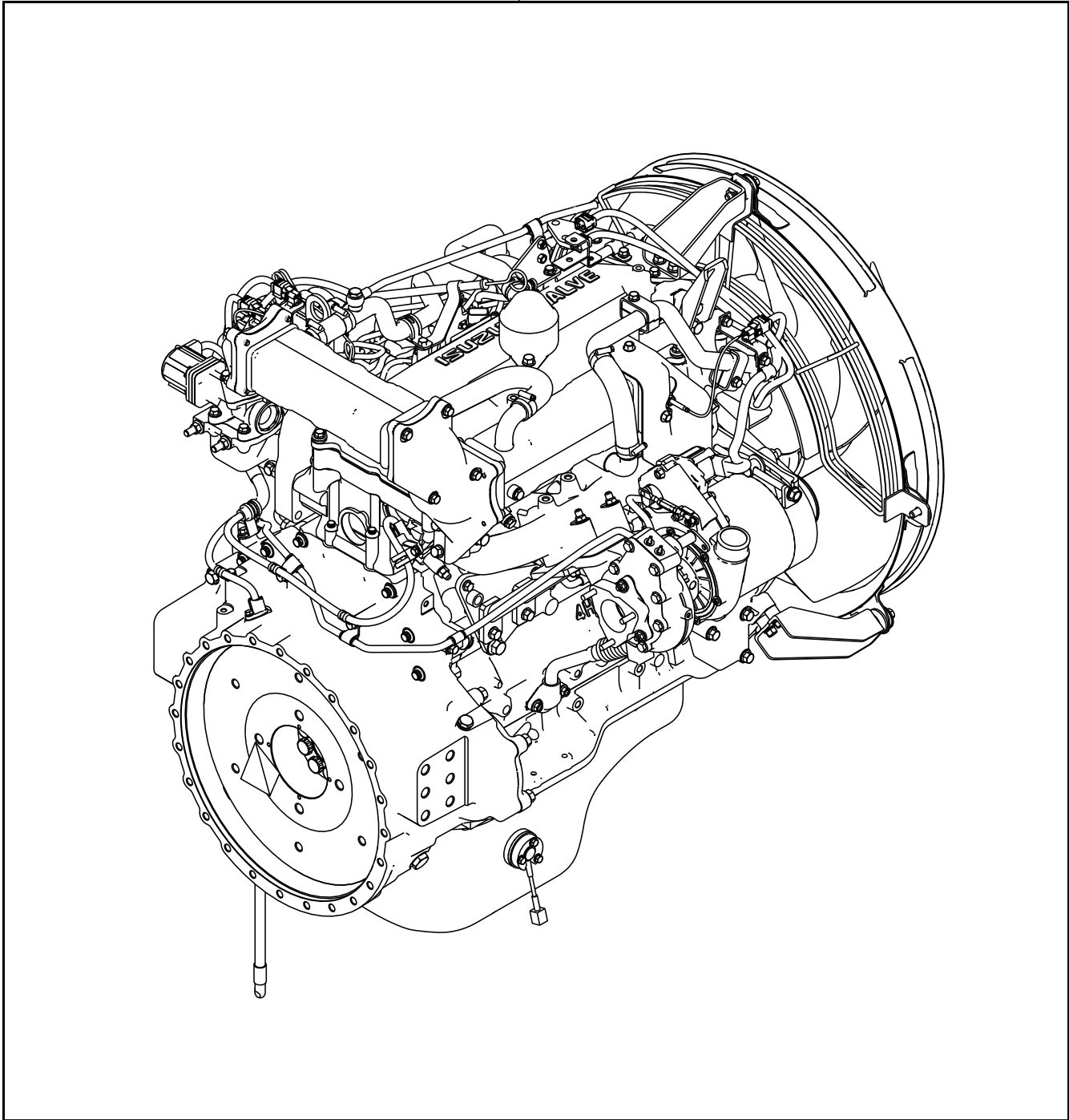
TX1292966

Key	Part No.	Part Name	Qty.	Serial No.	Remarks
0	3087256	Cover	2		
2	19M6332	Cap Screw	12		M14 X 35, SUB FOR J901435, 6 Per Motor
3	J222014	Washer	12		6 Per Motor

Engine

TX1189850 A.1

1

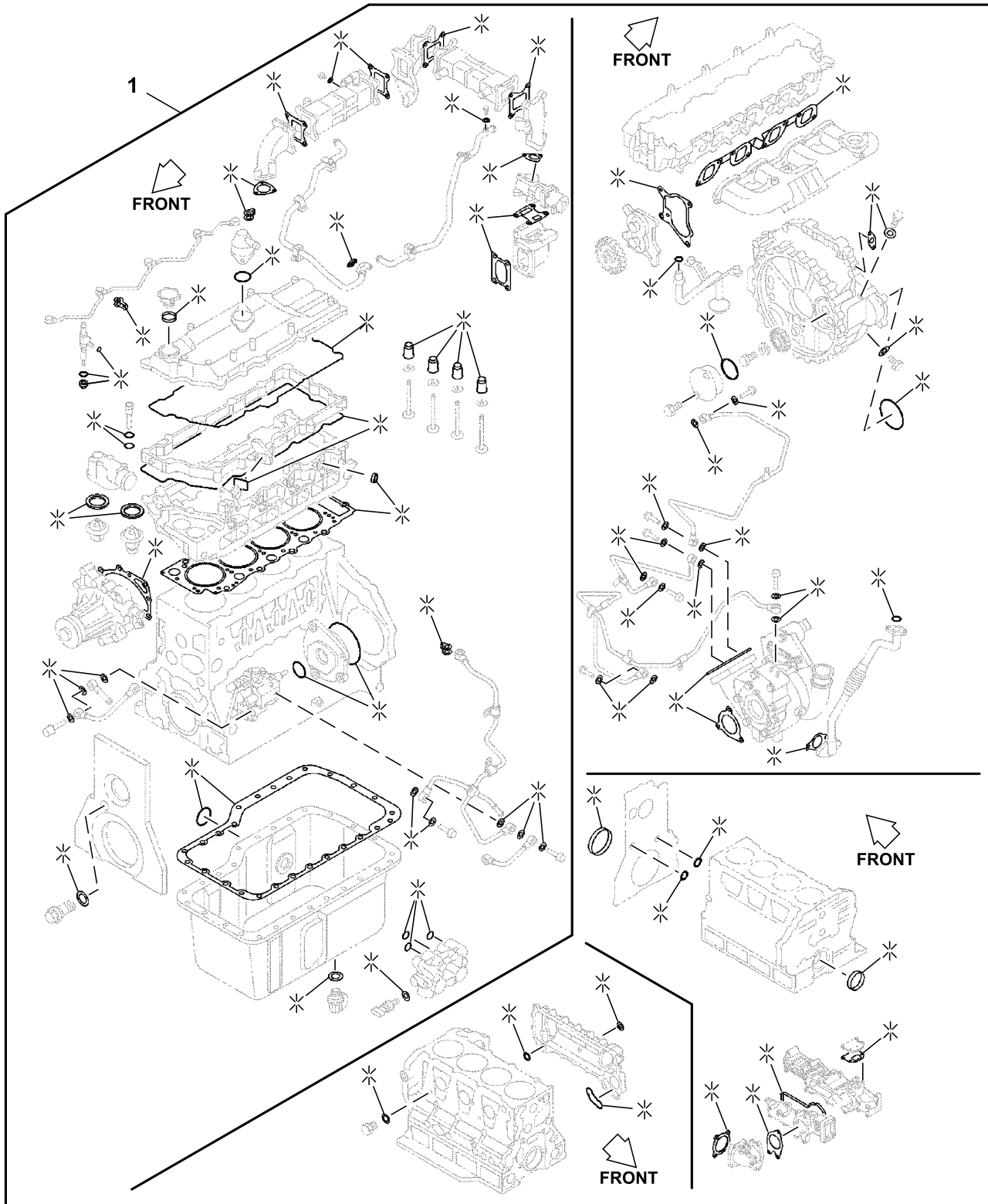


YA00028489_TX1189850

<i>Key</i>	<i>Part No.</i>	<i>Part Name</i>	<i>Qty.</i>	<i>Serial No.</i>	<i>Remarks</i>
1	4HK1XASA02A	Diesel Engine	1		SUB FOR FYA00028489

0-05 Engine Gasket Kit

TX1172918 A.1

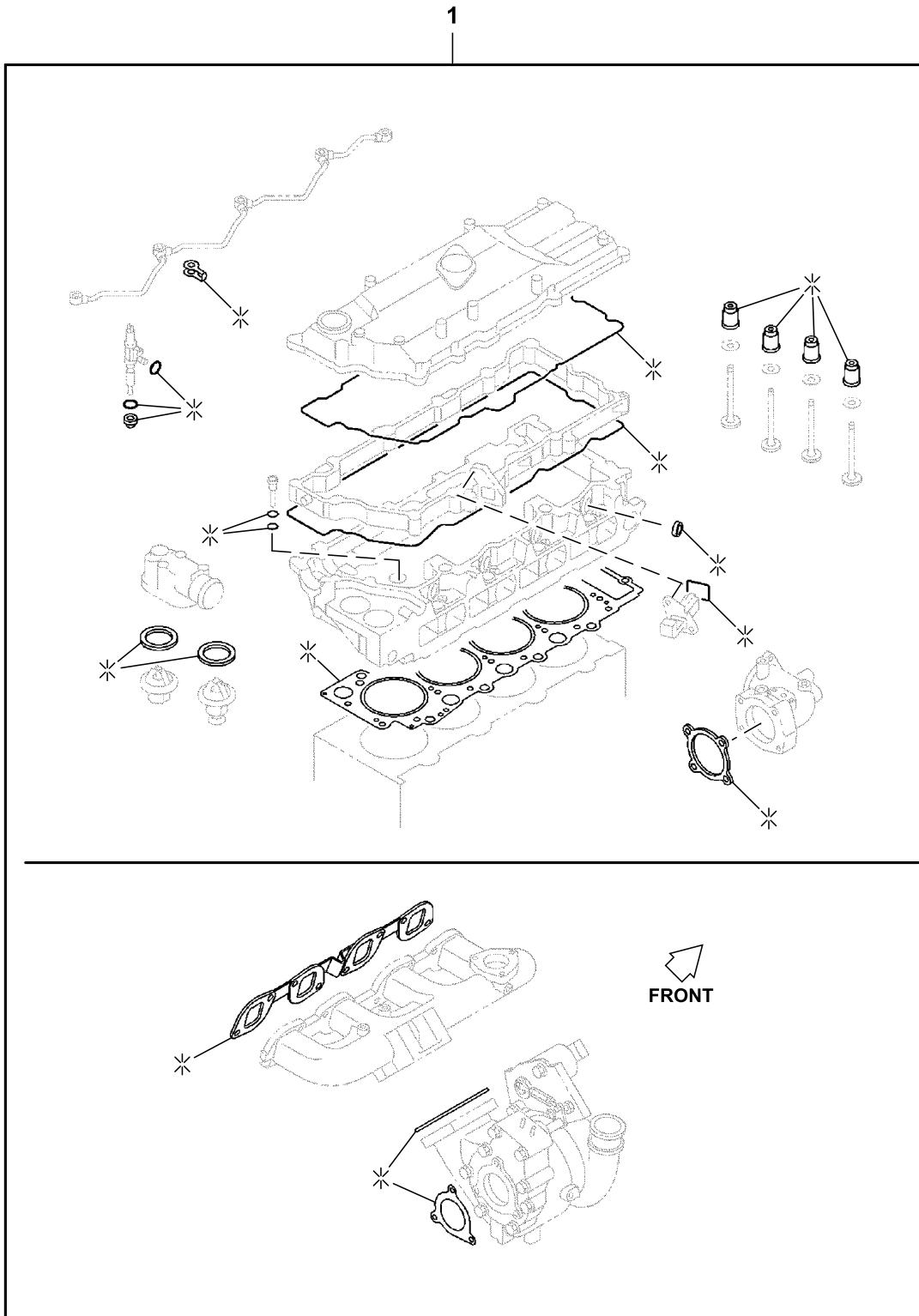


005A0151505_TX1172918

<i>Key</i>	<i>Part No.</i>	<i>Part Name</i>	<i>Qty.</i>	<i>Serial No.</i>	<i>Remarks</i>
1	5878178833	Gasket	1		SUB FOR 5878178832, 5878170090 AND 5878178830

0-05 Engine Head Gasket Kit

TX1172041 A.1

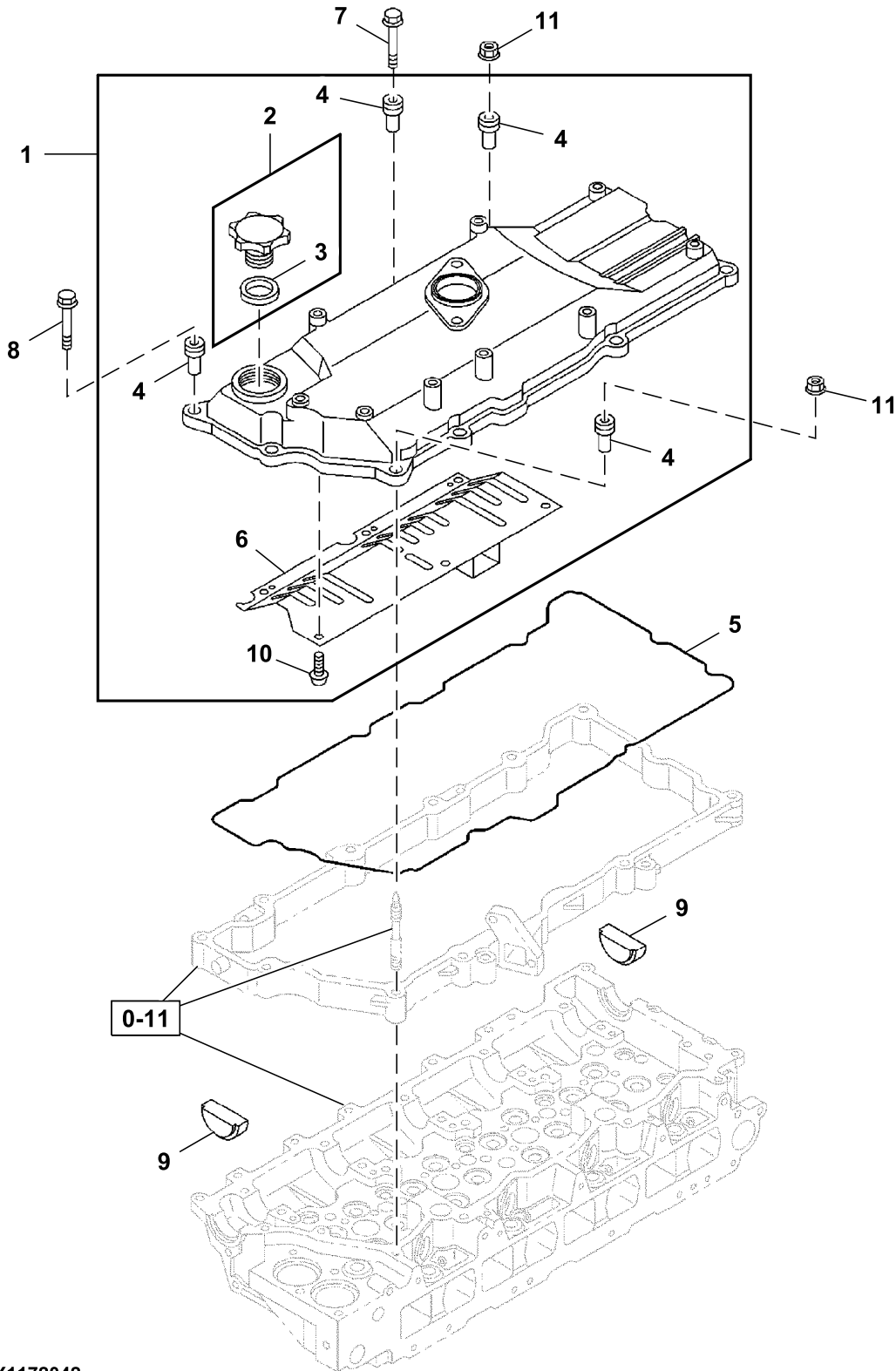


005A0251505_TX1172041

<i>Key</i>	<i>Part No.</i>	<i>Part Name</i>	<i>Qty.</i>	<i>Serial No.</i>	<i>Remarks</i>
1	5878178850	Gasket	1		SUB FOR 5878157041 AND 5878157040

0-10 Engine Cylinder Head Cover

TX1172042 A.1

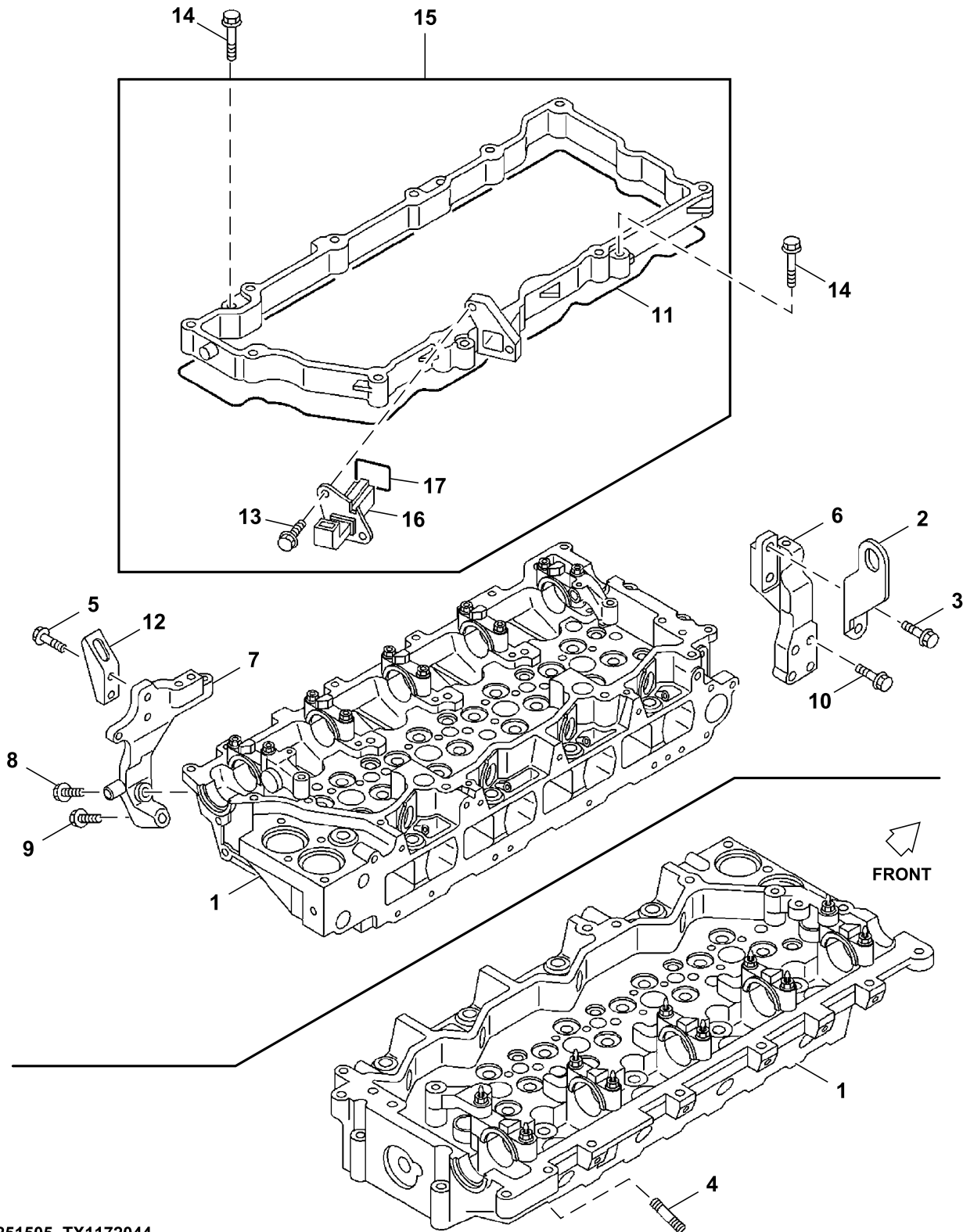


010A0151505_TX1172042

Key	Part No.	Part Name	Qty.	Serial No.	Remarks
1	8973628422	Valve Cover	1		SUB FOR 8973628421, Cylinder Head
2	8943997230	Filler Cap	1		
3	8943996890	O-Ring	1		Also Included In Gasket Kit, Engine
4	8943956840	Isolator	11		
5	8973313591	Gasket	1		SUB FOR 8973313590, Also Included in Gasket Kit, Engine and Head
6	8943926550	Plate	1		
7	0286808350	Bolt	2		M8X35, SUB FOR 0286508350
8	1090440721	Bolt	7		M8X65
9	8981638130	Plug	2		
10	0350504080	Screw	6		M4X8, SUB FOR 0350504080
11	0911801080	Nut	2		M8, SUB FOR 8940120390

0-11 Engine Cylinder Head Support

TX1172044 A.1

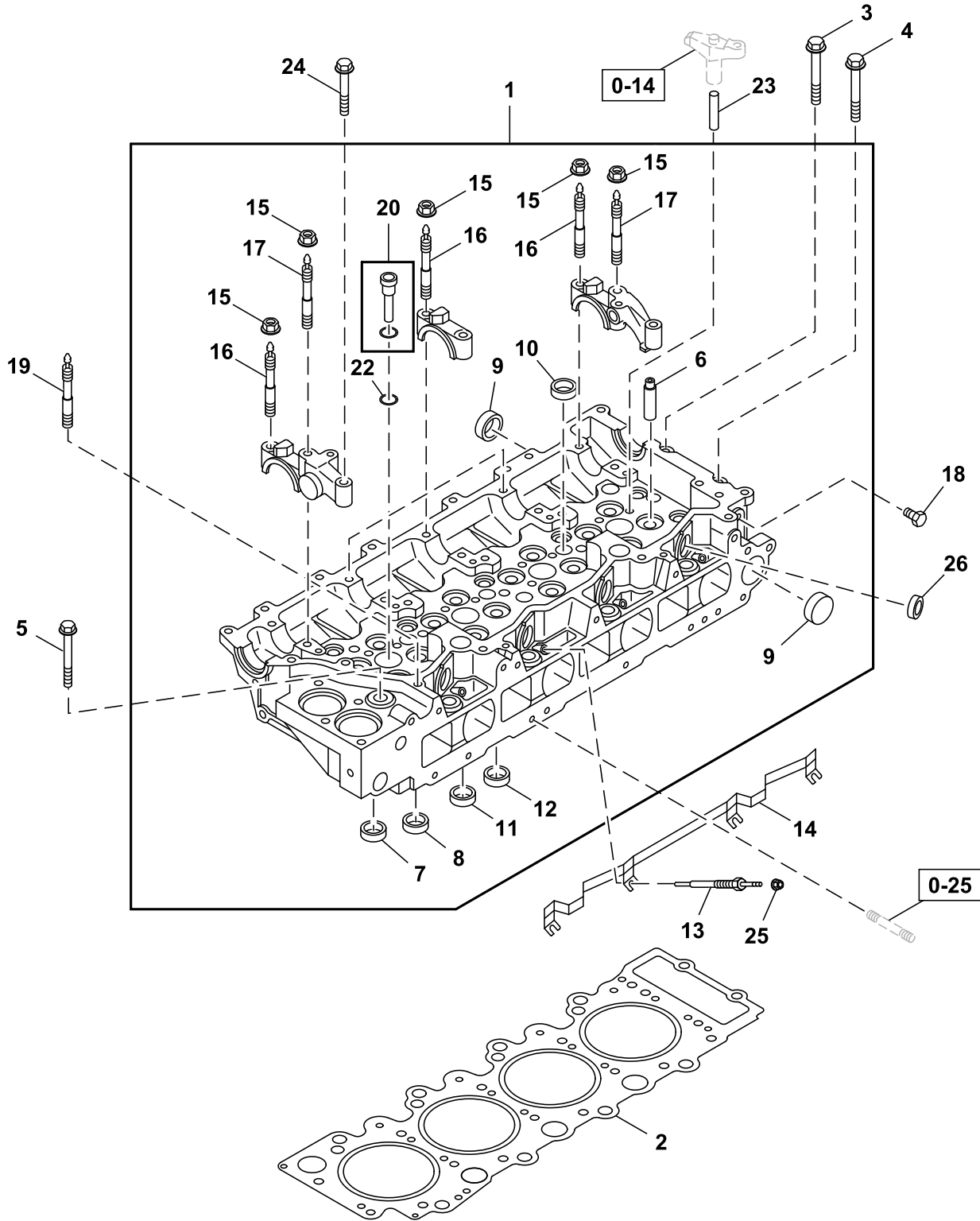


011A0251505_TX1172044

Key	Part No.	Part Name	Qty.	Serial No.	Remarks
1	8981706190	Cylinder Head	1		
2	1117770840	Hanger	1		SUB FOR 9117776121
3	0281510200	Bolt	2		M10X20
4	8943972860	Stud	2		M10X60
5	0281512300	Bolt	2		M12X30
6	8981125582	Bracket	1		SUB FOR 8981125581
7	8981161402	Bracket	1		SUB FOR 8981161401
8	0281510500	Bolt	1		M10X50
9	0281510800	Bolt	1		M10X80, SUB FOR 0168060850
10	0281512500	Bolt	3		M12X50, SUB FOR 0281812500
11	8973313601	Gasket	1		SUB FOR 8973313600, Also Included in Gasket Kit, Engine and Head
12	1117771231	Hanger	1		SUB FOR 1117770870
13	0280508160	Bolt	2		M8X12, SUB FOR 0280508120
14	0280508450	Bolt	4		M8X45
15	8973313621	Case	1		SUB FOR 8973313620
16	8943908581	Fitting	1		SUB FOR 8943908580
17	8943913100	Gasket	1		Also Included in Gasket Kit, Engine and Head

0-11 Engine Cylinder Head

TX1172043 B.1

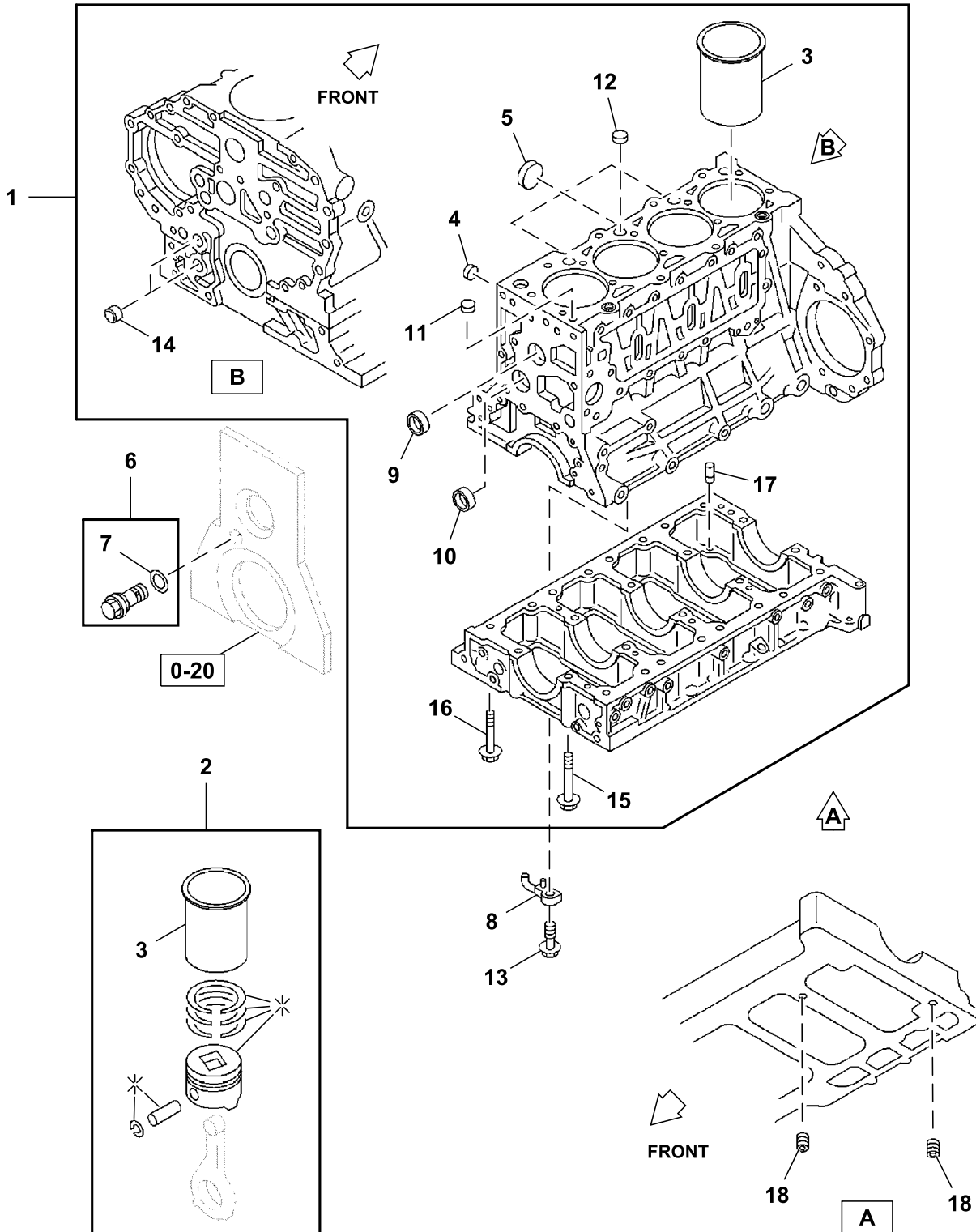


011A0151505_TX1172043

Key	Part No.	Part Name	Qty.	Serial No.	Remarks
1	8981706190	Cylinder Head	1		
2	8981142560	Engine Cylinder Head Gasket	1		Also Included in Gasket Kit, Engine and Head
3	8943995540	Bolt	1		M10X73
4	8943995550	Bolt	1		M10X43
5	8982600050	Bolt	18		M14X115
6	8973767192	Guide	16		SUB FOR 8973767191
7	8980288740	Valve Seat	8		SUB FOR 8976062470, Inlet
8	8980288750	Valve Seat	8		SUB FOR 8972165110, Exhaust
9	8970968210	Seal	5		
10	1096000160	Plug	4		
11	9111291280	Seal	7		
12	5111290060	Seal	5		
13	8943907773	Plug	4		SUB FOR 8913907775 OR 8943907776
14	8973323582	Elec. Connector Accessory	1		
15	14M7298	Flange Nut	10		M8, SUB FOR 0911802080 AND 4447338
16	8943225132	Stud	8		M8X41
17	8943225122	Stud	2		M8X54
18	8980034160	Plug	1		M8X10, SUB FOR 8943994210
19	0491408600	Stud	2		M8X60, SUB FOR 0497408600
20	8980184620	Sleeve	4		SUB FOR 8976066610, Also Included in Gasket Kit, Engine and Head
22	8976049160	Gasket	4		SUB FOR 1096233550, Also Included in Gasket Kit, Engine and Head
23	8973816031	Guide	8		
24	0280808350	Bolt	2		M8X35, SUB FOR 0280508350
25	8973688530	Nut	4		M4
26	1096390340	Gasket	4		Also Included in Gasket Kit, Engine and Head

0-12 Engine Cylinder Block

TX1172045 B.1

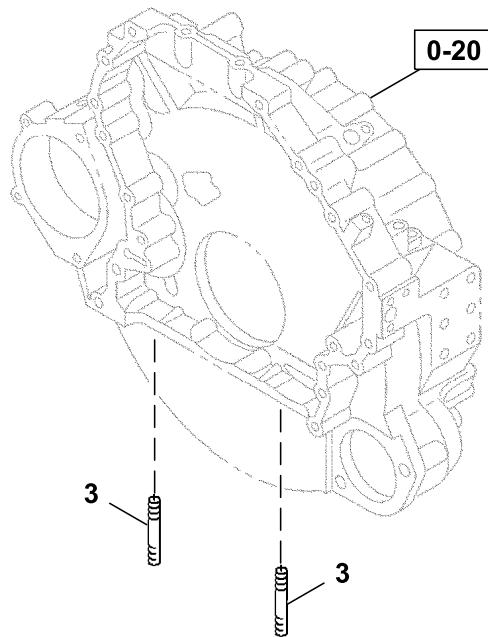
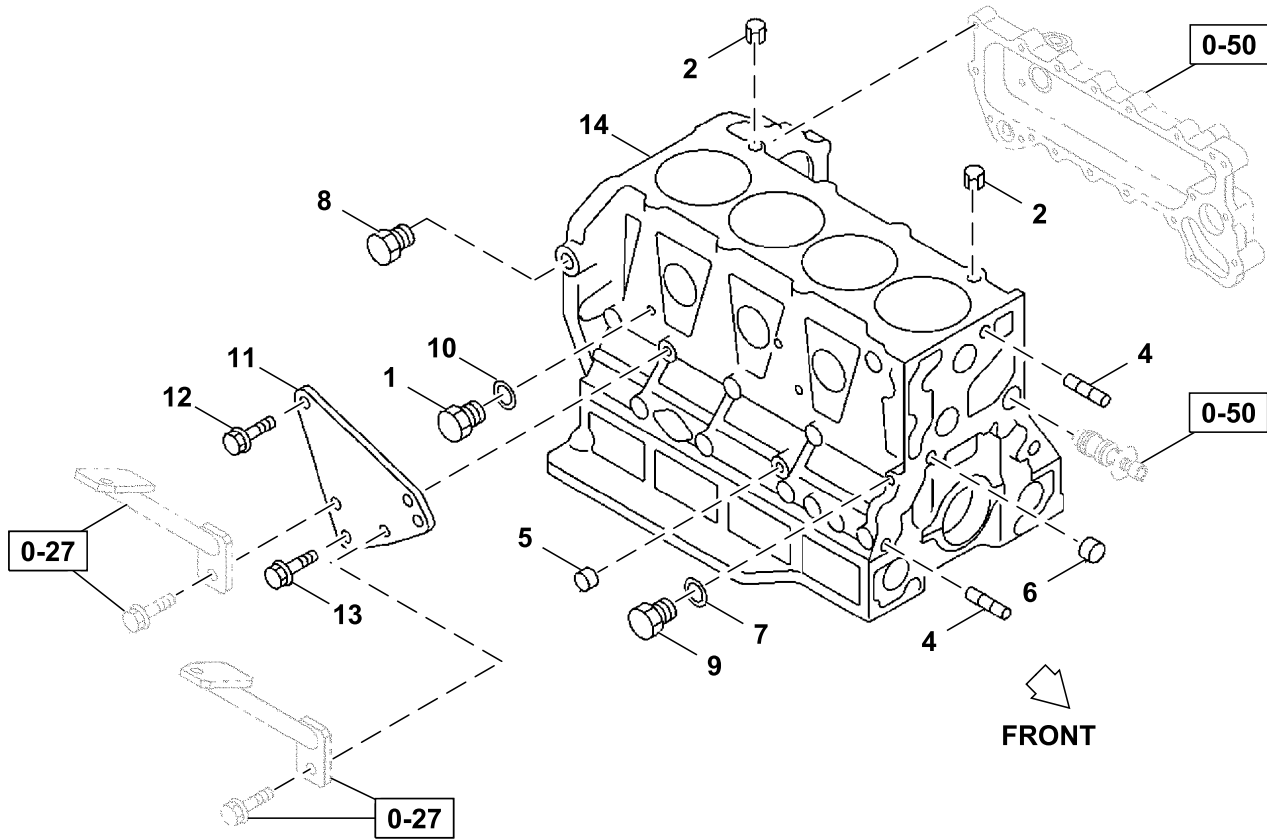


012A0151505_TX1172045

Key	Part No.	Part Name	Qty.	Serial No.	Remarks
1	8982045290	Cylinder Block	1		
2	1878142051	Cylinder Kit	4		OD GRADE = 1X, SUB FOR 5878170070
	1878142061	Cylinder Kit	4		OD GRADE = 3X, SUB FOR 5878170080
3	8980140461	Cylinder Liner	4		OD GRADE = 1X, SUB FOR 8980140460, Also Included In Liner Set
	8980140471	Cylinder Liner	4		OD GRADE = 3X, Also Included In Liner Set
4	1096000160	Plug	1		
5	8970365501	Bearing Cup	3		SUB FOR 8973514510
6	8973288590	Pressure Relief Valve	1		SUB FOR 8943860471, Oil Relief
7	8941734120	Gasket	1		Also Included In Gasket Kit, Engine
8	8981733420	Jet	4		Piston Cooling Oil
9	1096000160	Plug	1		
10	8970968240	Plug	4		
11	5111290060	Seal	1		
12	8972096090	Seal	3		
13	8973296180	Flow Control Hyd. Valve	4		SUB FOR 1131610120, Oil Check
14	8980915660	Bushing	2		
15	8970776380	Bolt	10		M14X115
16	8943995532	Bolt	17		M10X82
17	8971354230	Pin Fastener	2		SUB FOR 8944836740
18	5096050050	Pipe Plug	2		SUB FOR AT254825

0-12 Engine Cylinder Block and Support

TX1172046 A.1

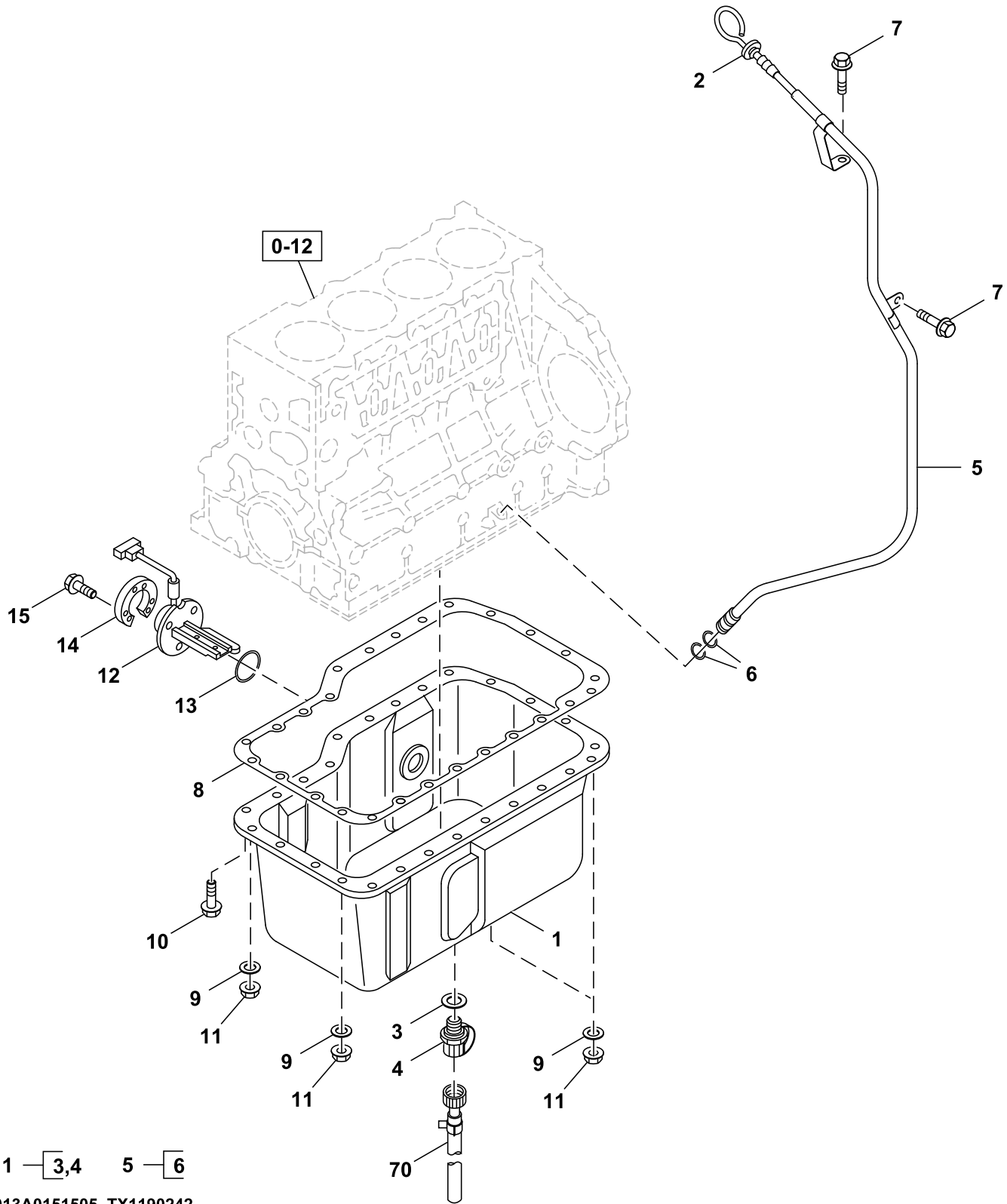


012A0251505_TX1172046

Key	Part No.	Part Name	Qty.	Serial No.	Remarks
1	8973525370	Plug	1		
2	8943996881	Pin Fastener	2		SUB FOR 8943996880
3	1093050050	Stud	2		M8X20, SUB FOR AT254807
4	8971354230	Pin Fastener	4		SUB FOR 8944836740
5	5096000130	Seal	1		SUB FOR 1096000102
6	9111291280	Seal	3		
7	8982513450	Packing	1		Also Included In Gasket Set, Engine
8	8973296170	Plug	1		
9	9098621560	Plug	1		
10	1096300830	Gasket	1		Also Included In Gasket Set, Engine
11	8981669782	Plate	1		SUB FOR 8981669780
12	19M7866	Screw	2		M8 X 20, SUB FOR 0280508200 AND 0280808200
13	8981732650	Bolt	1		
14	8982045290	Cylinder Block	1		

0-13 Oil Pan And Level Gauge

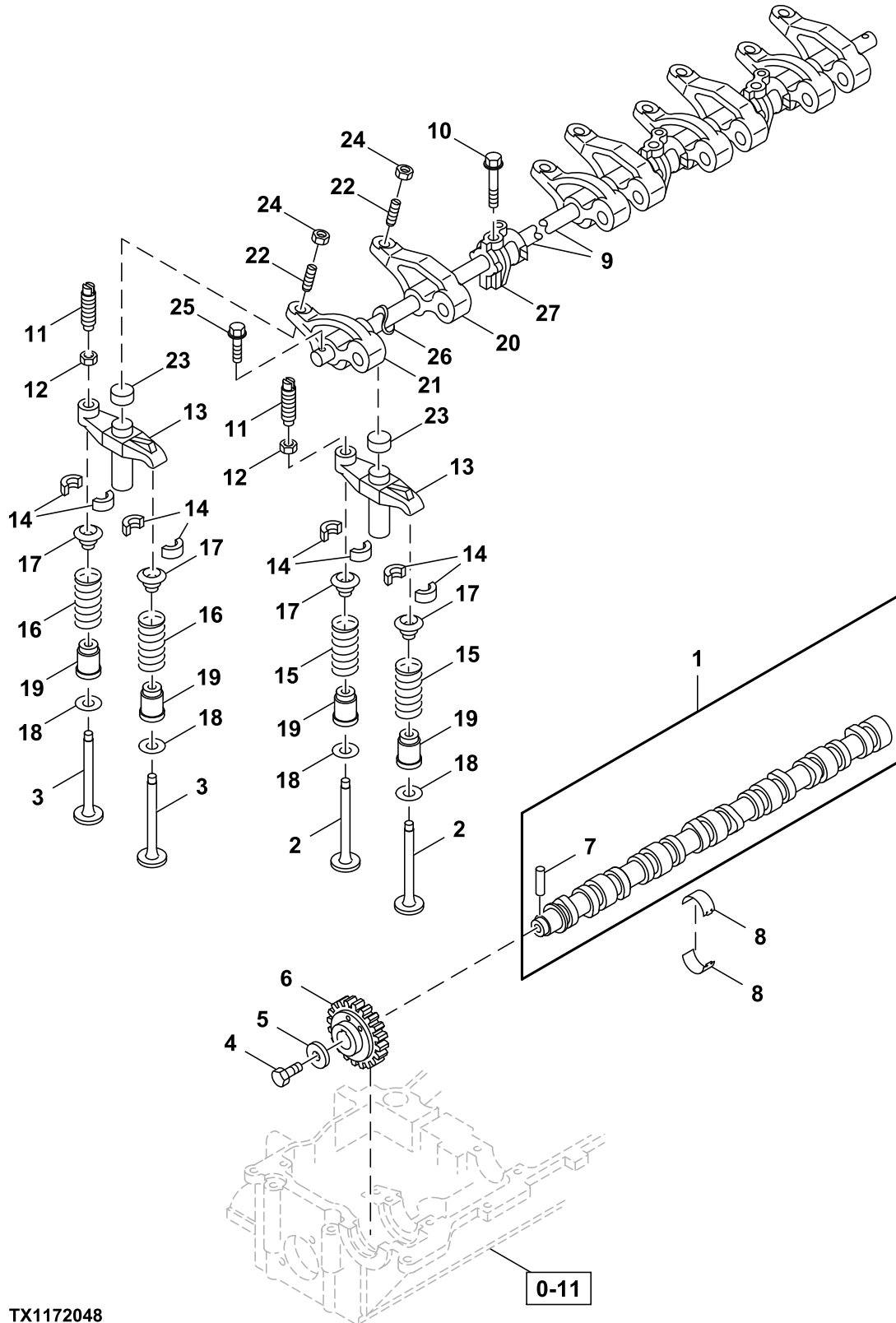
TX1190242 E.1



Key	Part No.	Part Name	Qty.	Serial No.	Remarks
1	8981779000	Oil Pan	1		
2	8982403250	Gauge	1		Dipstick
3	1096300900	Gasket	1		SUB FOR 1096300590, Also Included In Gasket Kit, Engine
4	8981442470	Plug	1		
5	8982403200	Tube	1		
6	5096230023	Gasket	2		SUB FOR 1096234690 AND 5096230020
7	0280508160	Bolt	2		M8X16, SUB FOR 0280508120
8	8973638451	Gasket	1		Also Included In Gasket Kit, Engine
9	0915108080	Washer	4		
10	8981827880	Bolt	22		
11	14M7273	Nut	4		M8, SUB FOR 0911105080 AND 9091105080
12	8971312230	Sensor	1		Oil Level
13	8976049160	Gasket	1		SUB FOR 1096233550, Oil Level, Also Included In Gasket Kit, Engine
14	5113690720	Spacer	1		
15	0280506250	Bolt	3		M6X25
70	8982534070	Hose	1		SUB FOR 8973880231

0-14 Engine Camshaft And Valves

TX1172048 C.1

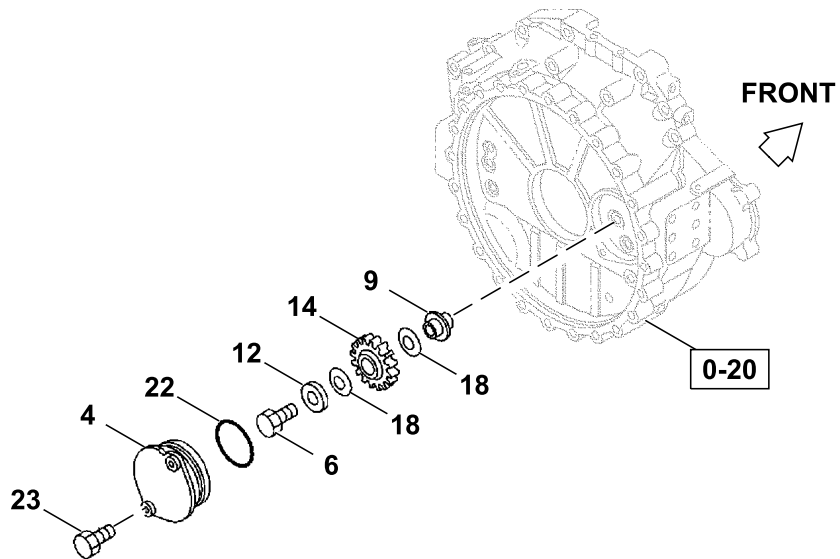
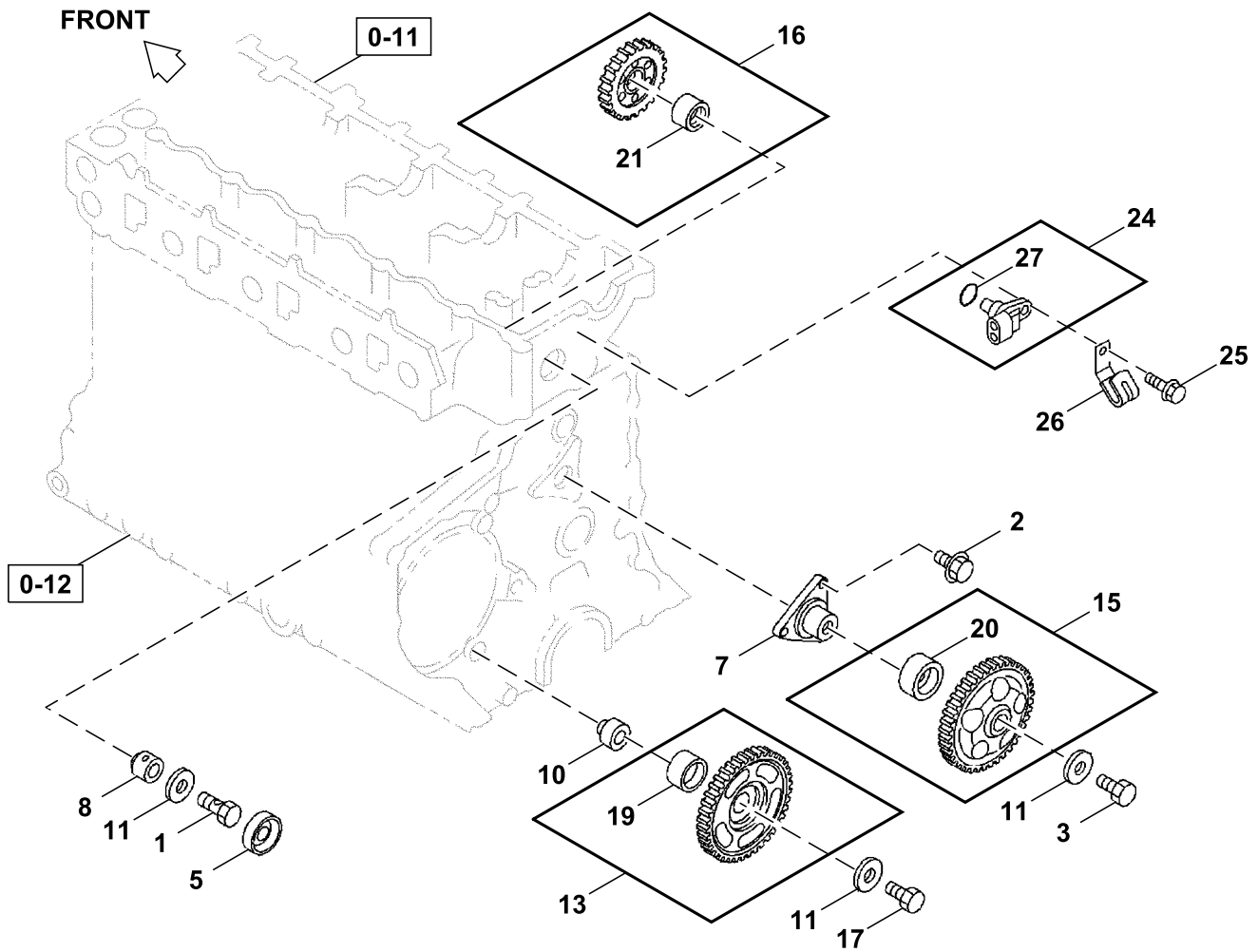


014A0151505_TX1172048

Key	Part No.	Part Name	Qty.	Serial No.	Remarks
1	8972621660	Camshaft	1		
2	8943958822	Valve	8		SUB FOR 8943958821, Intake
3	8972098764	Valve	8		SUB FOR 8972098763, Exhaust
4	8943964390	Bolt	1		
5	9098518503	Washer	1		
6	8980189353	Gear	1		Z=35
7	8943994870	Pin Fastener	1		M14X40
8	8973861890	Bearing	10		SUB FOR 8973569390
9	8973899210	Rocker Arm Shaft	1		SUB FOR 8973064262
10	8943931310	Bolt	3		M10X62, SUB FOR 8971746500
11	8943948030	Screw	8		M8X21
12	14M7599	Nut	8		M8, SUB FOR 9098445740
13	8943920023	Valve Bridge	8		
14	5125650040	Locking Collar	32		
15	8943958840	Spring	8		Inlet
16	8943958851	Spring	8		SUB FOR 8943958850, Exhaust
17	8943907832	Valve Seat	16		
18	8943914680	Valve Seat	16		
19	8973767200	Seal	16		Also Included in Gasket Kit, Engine and Head
20	8973064213	Rocker Arm	4		Inlet
21	8973064243	Rocker Arm	4		Exhaust
22	8943950240	Screw	8		M10
23	8943960152	Cap	8		
24	0911115100	Nut	8		M10, SUB FOR 9091115100
25	0280808400	Bolt	2		M8X40, SUB FOR 0280508400 AND AT259927
26	8943929990	Spring	4		
27	8973344140	Bracket	3		

0-14 Engine Camshaft And Valve Support

TX1172049 A.1

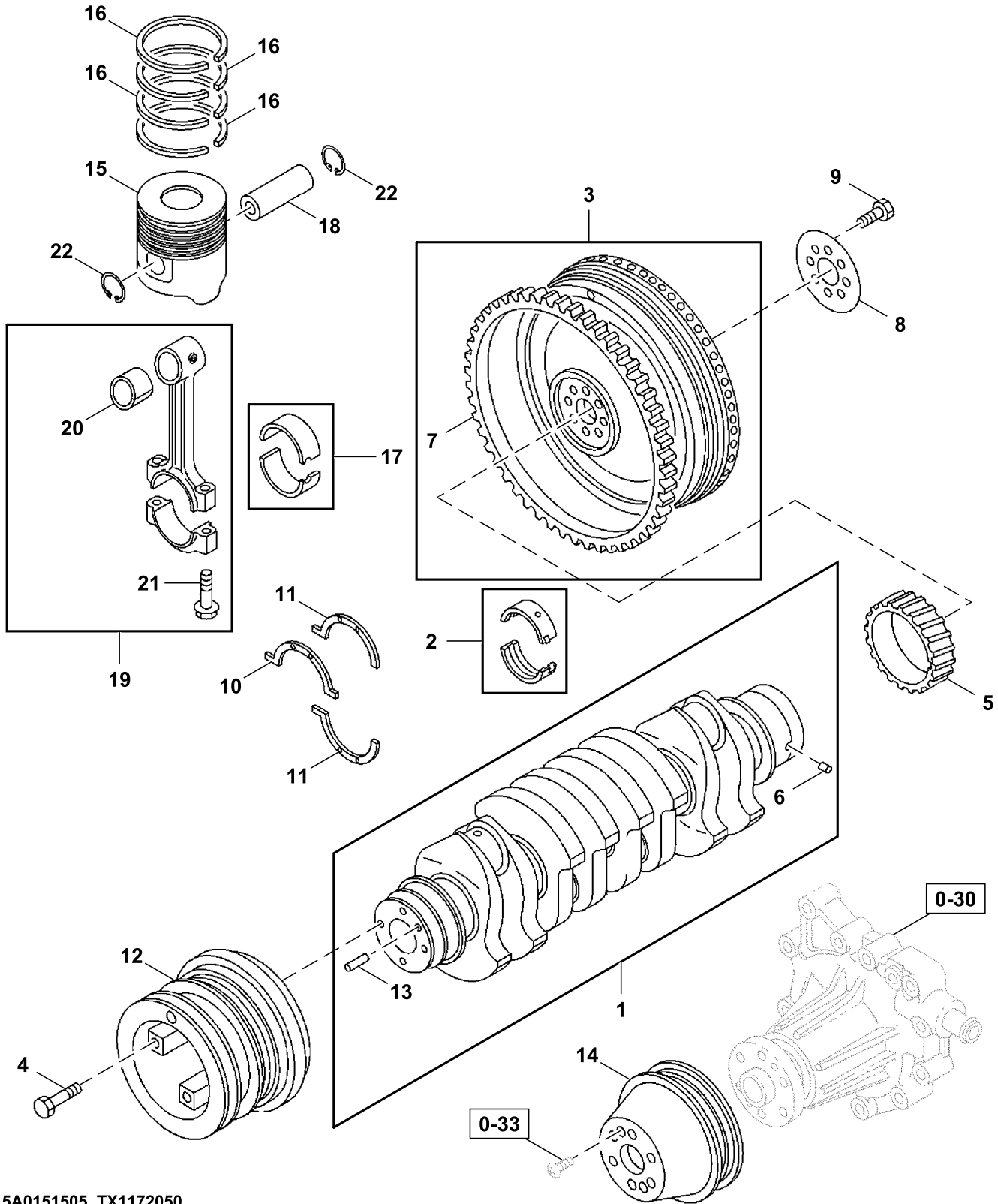


014A0251505_TX1172049

Key	Part No.	Part Name	Qty.	Serial No.	Remarks
1	8943722211	Bolt	1		M14X36.5
2	0280608160	Bolt	3		M14X25
3	0239514250	Bolt	1		
4	8943346811	Cover	1		SUB FOR 8980238810
5	8970968260	Cover	1		
6	0169564600	Bolt	1		M14X60
7	8973500210	Shaft	1		SUB FOR 8971892441
8	8971863981	Shaft	1		
9	8980410990	Shaft	1		
10	8980607800	Shaft	1		SUB FOR 8971043800
11	8972097282	Thrust Washer	3		SUB FOR 8972097281
12	8980236160	Bushing	1		
13	8976005861	Gear	1		Z=72-60-30
14	8980410640	Gear	1		Z=34
15	8976067670	Gear	1		Z=61; SUB FOR 8976005900
16	8976069290	Gear	1		Z=41; SUB FOR 8973004480
17	8971131670	Bolt	1		M14X65, SUB FOR 8970667980
18	8980410890	Washer	2		
19	1125280280	Bushing	1		
20	8976067680	Bushing	1		SUB FOR 8943693400
21	8976067700	Bushing	1		SUB FOR 8971126080
22	1096234230	Gasket	1		Also Included In Gasket Kit, Engine
23	0280508160	Bolt	2		M8X16, SUB FOR 0280508120
24	8980190240	Sensor	1		Cam Angle
25	0280506120	Bolt	1		M6X12, SUB FOR 0280806120
26	8973679851	Clip	1		SUB FOR 5097003071, 8942251850 AND 8973679850
27	8973694040	Gasket	1		

0-15 Crankshaft, Pistons, and Flywheel

TX1172050 A.1

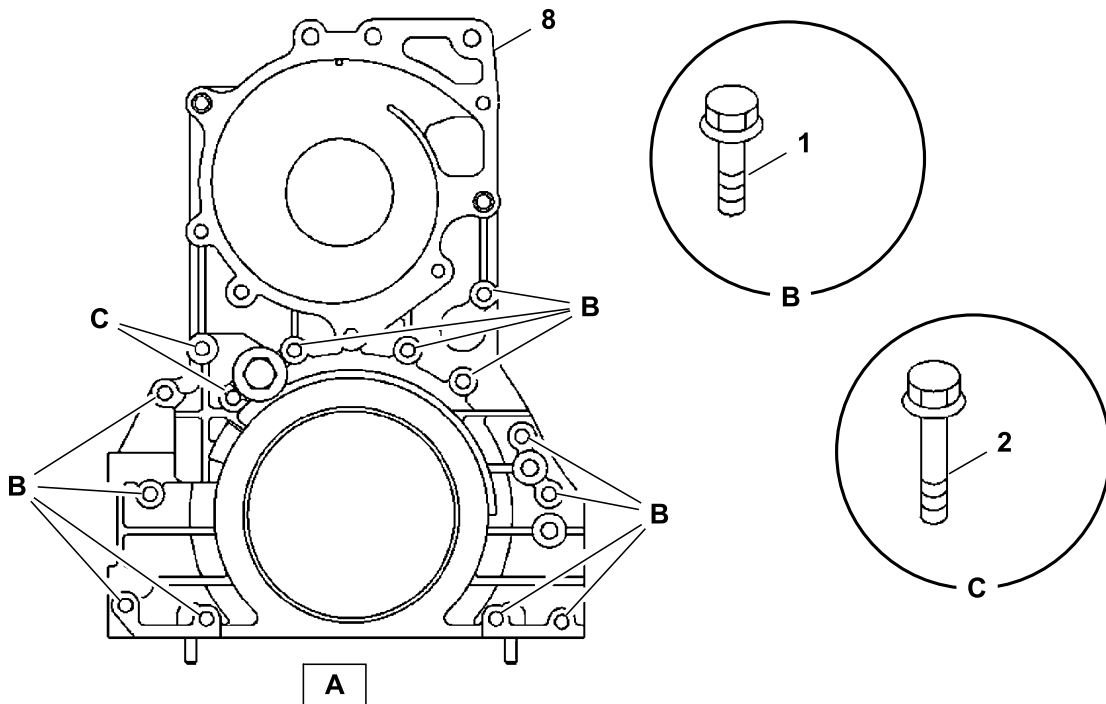
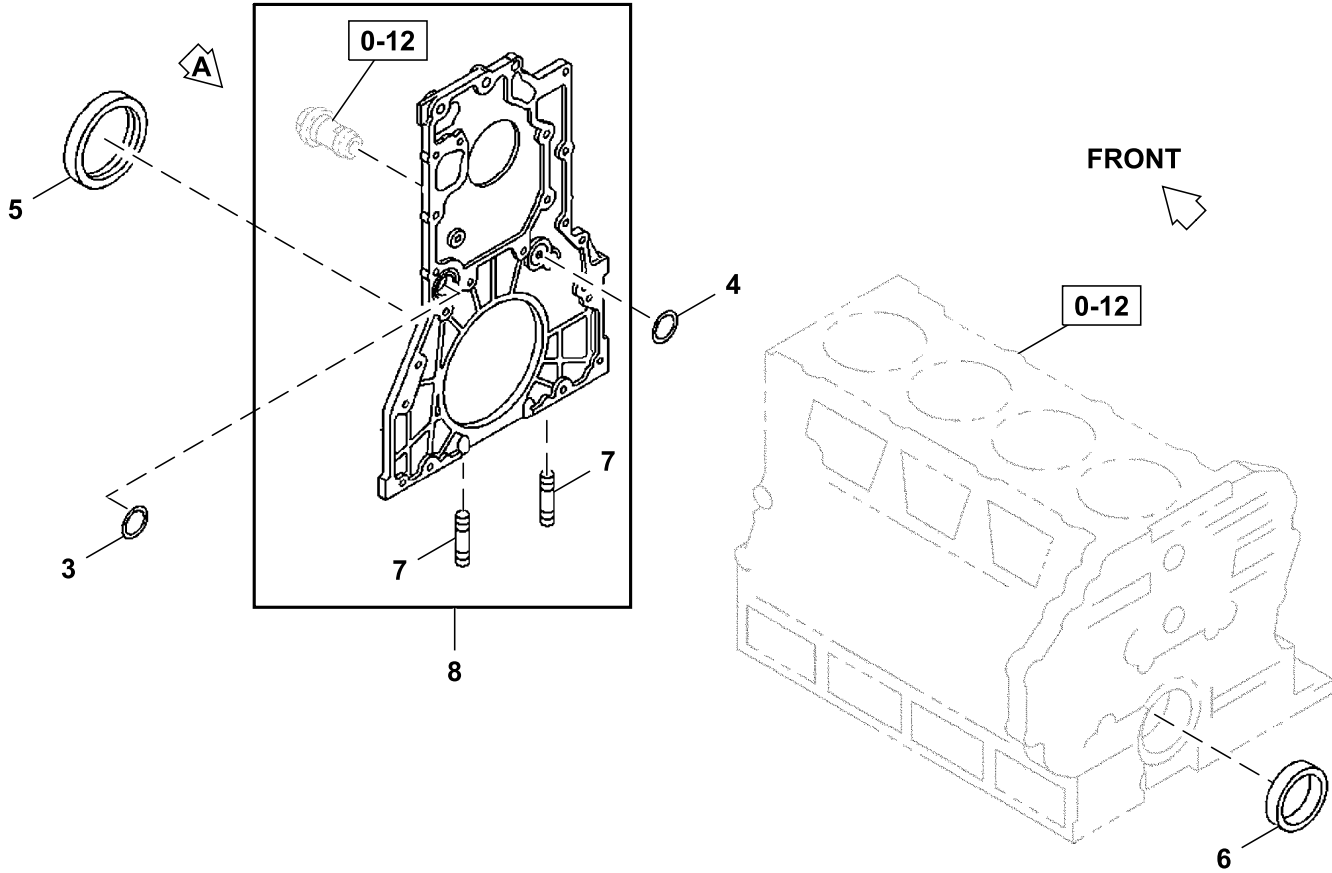


015A0151505_TX1172050

Key	Part No.	Part Name	Qty.	Serial No.	Remarks
1	8980292700	Crankshaft	1		SUB FOR 8973525343
2	8973720761	Bearing	5		SUB FOR 8973720760, Blue
	8973720771	Bearing	1		Black
	8973720781	Bearing	1		Brown
3	8981519330	Flywheel	1		
4	8970287330	Bolt	4		M16X42
5	8943922551	Gear	1		Z=42
6	9098786260	Dowel Pin	1		
7	8943931320	Gear	1		Z=129
8	8943974961	Washer	1		
9	8971780130	Bolt	8		M16X42, SUB FOR 8971129990
10	8973865480	Thrust Washer	1		SUB FOR 8943992770, Front
11	8973865490	Thrust Washer	2		SUB FOR 8943992830, Rear
12	8973627472	Pulley	1		
13	9081508200	Pin Fastener	2		
14	8980182361	Pulley	1		
15	8982445220	Piston	4		Also Included In Liner Set
16	8980171660	Piston Ring	4		Also Included In Liner Set
17	8976163580	Bearing Kit	4		SUB FOR 8980554800, Green
	8976163590	Bearing Kit	1		Yellow
18	8980188631	Pin	4		Also Included In Liner Set
19	8980184253	Connecting Rod	4		SUB FOR 8980184251 AND 8980184252
20	8943917941	Bushing	1		SUB FOR 8943917940
21	1122350350	Bolt	2		M13X57, SUB FOR 8980911410
22	1095870811	Ring	8		Also Included In Liner Set

0-20 Timing Gear Case

TX1172051 A.1

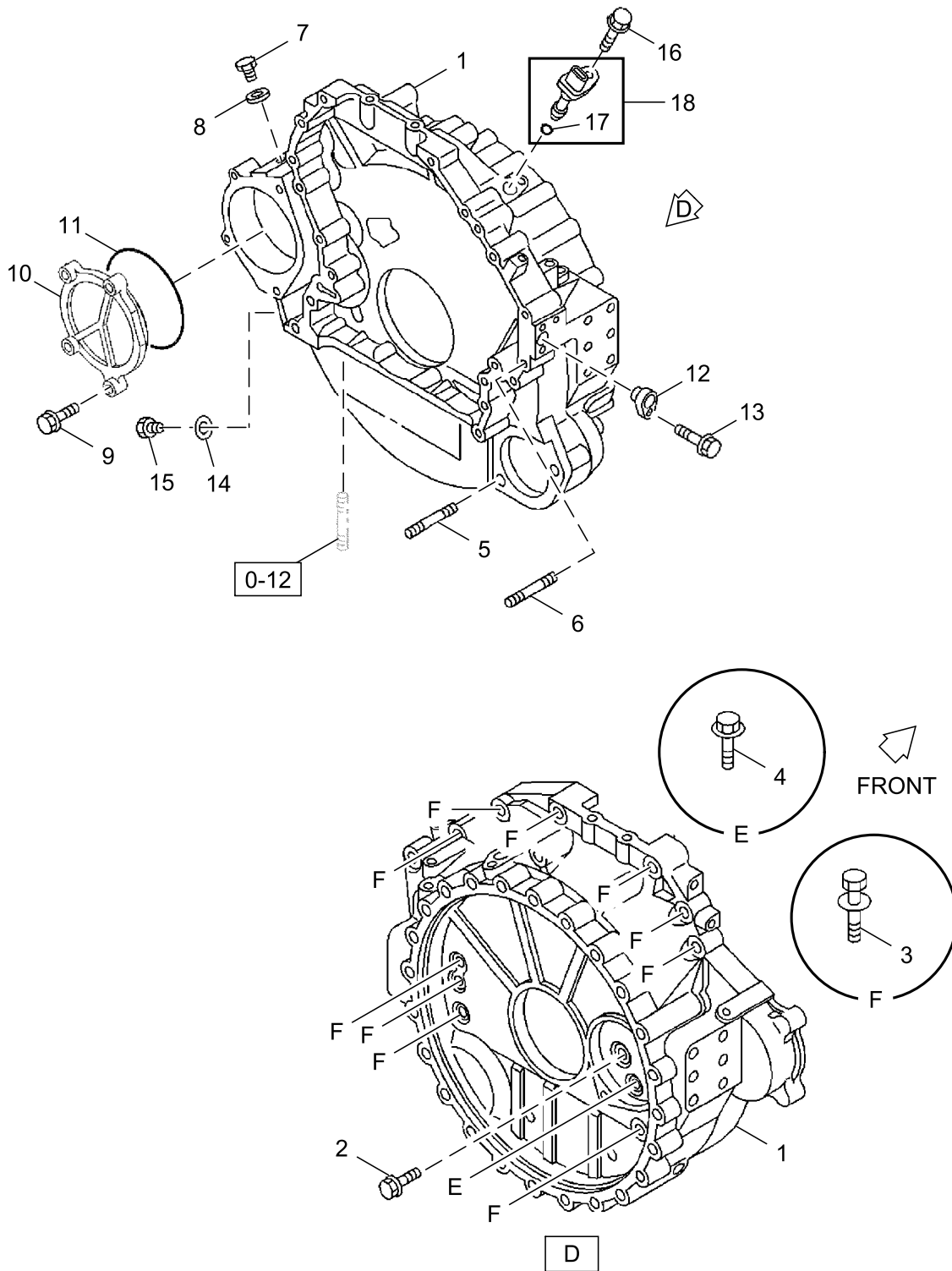


020A0151505_TX1172051

Key	Part No.	Part Name	Qty.	Serial No.	Remarks
1	0286808350	Bolt	12		M8X35, SUB FOR 0286508350
2	1090440721	Bolt	2		M8X65
3	8970287481	Gasket	1		Also Included In Gasket Kit, Engine
4	9095613180	Gasket	1		Also Included In Gasket Kit, Engine
5	8973829550	Seal	1		Also Included In Gasket Kit, Engine
6	8972093423	Seal	1		SUB FOR 8972093422, Also Included In Gasket Kit, Engine
7	0410108180	Stud	2		M8X18
8	8982038950	Cover	1		

0-20 Flywheel Housing and Support

TX1172052 B.1

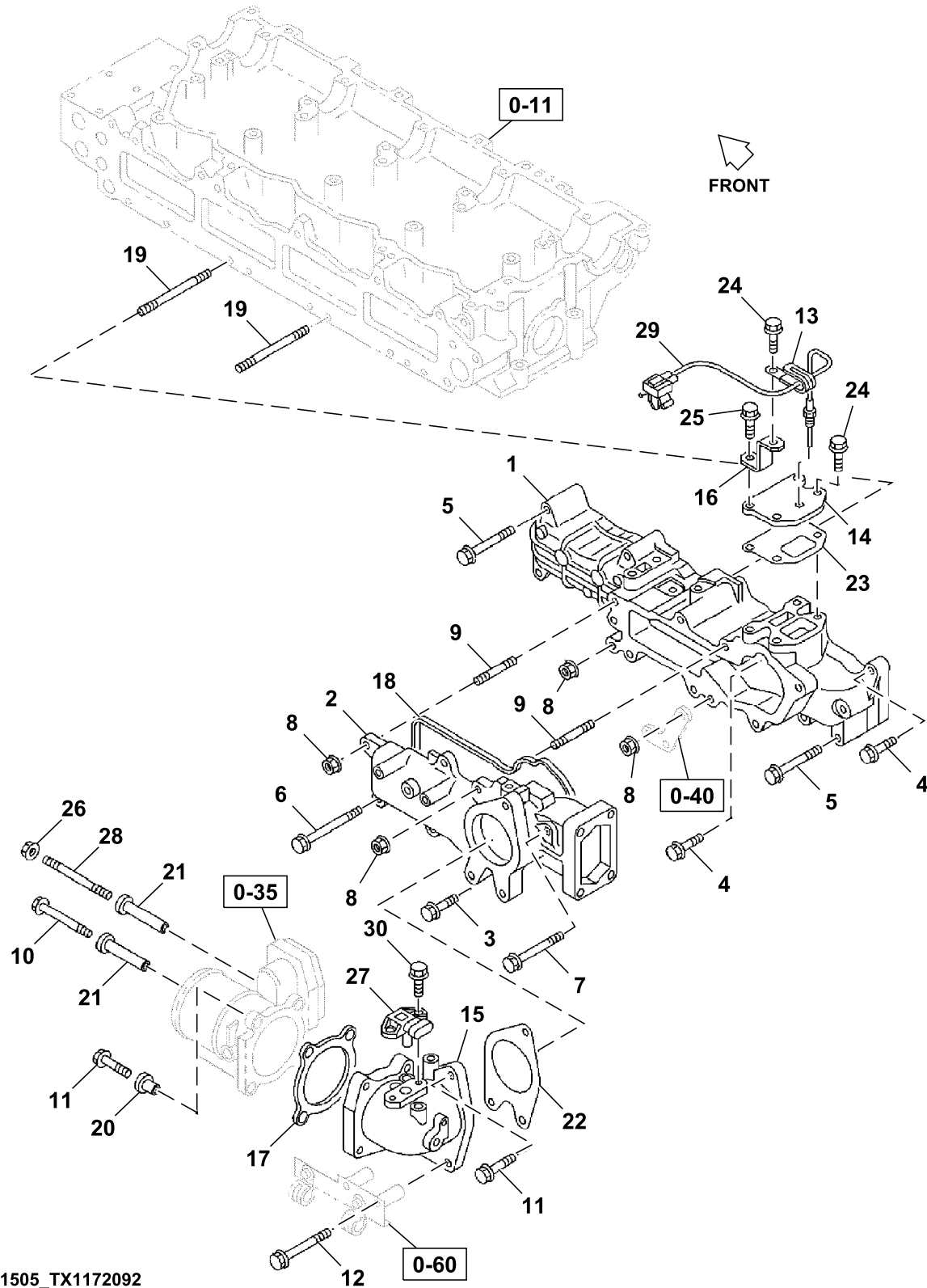


020A0251505_TX1172052

Key	Part No.	Part Name	Qty.	Serial No.	Remarks
1	8981164212	Housing	1		SUB FOR 8981164210 OR 8981164211
2	0287510400	Bolt	1		SUB FOR 0287810400
3	8971147790	Bolt	11		
4	8971354190	Bolt	1		SUB FOR 8943439190
5	0440112300	Stud	2		SUB FOR 9944112300
6	0440112550	Stud	1		
7	0920024120	Plug	1		SUB FOR 5096040120
8	8944725841	Gasket	1		SUB FOR 8944725840, Also Included in Gasket Set (Engine)
9	0281512350	Bolt	4		SUB FOR 0281812350
10	8980653550	Cover	1		
11	1096235700	Gasket	1		Also Included in Gasket Set (Engine)
12	8971019740	Plug	1		
13	0280506160	Bolt	1		
14	9095714160	Gasket	1		
15	0920024160	Plug	1		
16	0280506120	Bolt	1		
17	8973694040	Gasket	1		
18	8976069430	Sensor	1		Tachometer

0-25 Engine Air Intake Manifold

TX1172092 A.1

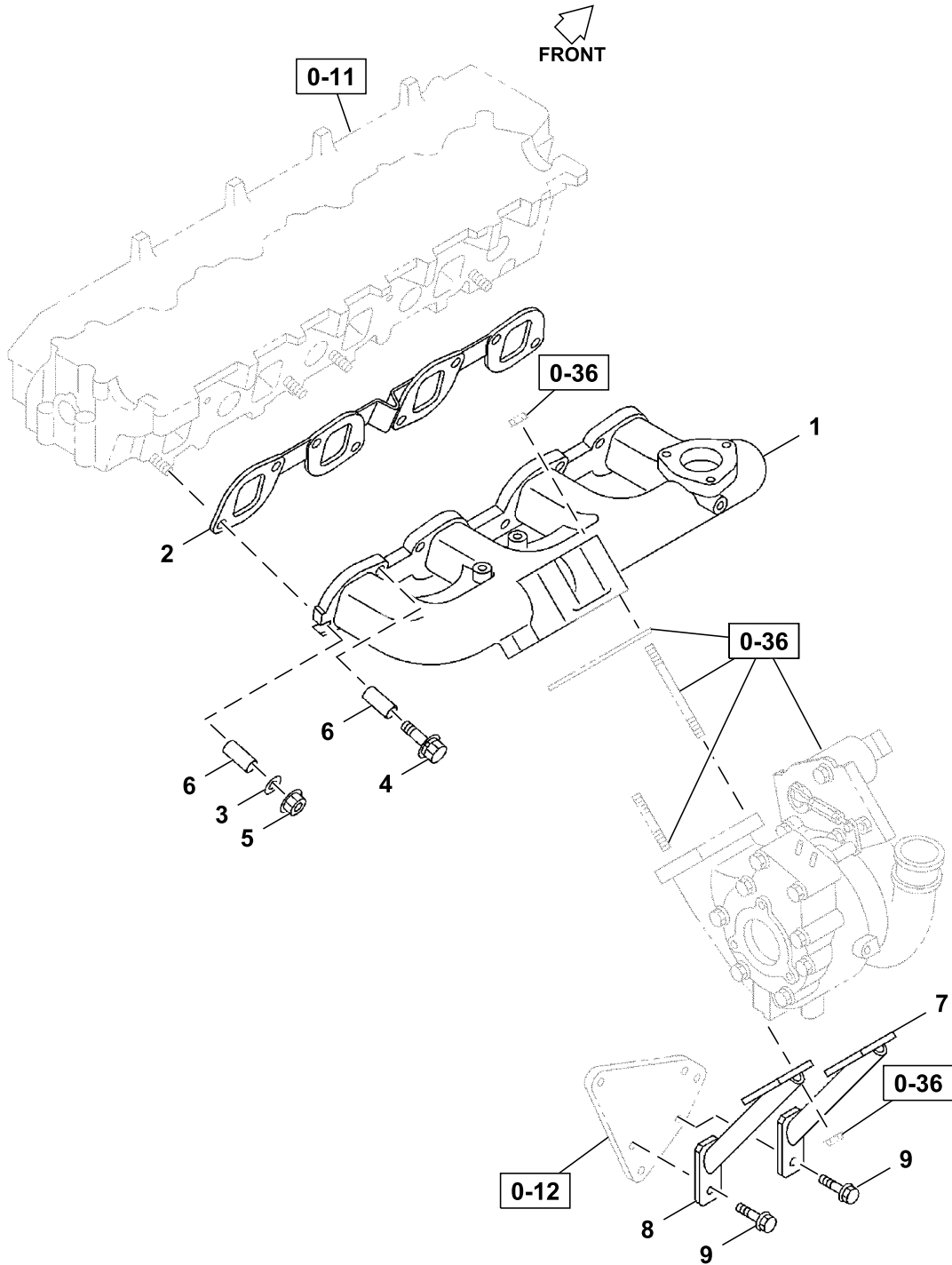


025A0151505_TX1172092

Key	Part No.	Part Name	Qty.	Serial No.	Remarks
1	8981156671	Cover	1		
2	8982365680	Cover	1		
3	0280508250	Bolt	1		SUB FOR 0280808250
4	0280508300	Bolt	2		
5	0280808600	Bolt	5		SUB FOR 0280508600, 8941583930 AND 8941583931
6	0280558120	Bolt	3		SUB FOR 0280858120
7	8980815070	Bolt	1		
8	0911801080	Nut	4		SUB FOR 8940120390
9	0410108250	Stud	2		SUB FOR 9041108250
10	0280508700	Bolt	1		SUB FOR 0280808700
11	0286508300	Bolt	3		SUB FOR 8970297050
12	8980815070	Bolt	2		
13	8973679851	Clip	1		SUB FOR 8973679850
14	8981646610	Bracket	1		
15	8982365720	Pipe	1		
16	1474781130	Bracket	1		
17	8973870090	Gasket	1		Also Included in Gasket Set (Engine and Head)
18	8980326110	Gasket	1		Also Included in Gasket Set (Engine and Head)
19	8971114770	Stud	2		SUB FOR 8970158360
20	8972196500	Isolator	2		
21	8973879951	Seal	2		SUB FOR 8973879950
22	8973060251	Gasket	1		SUB FOR 8973060250, Also Included in Gasket Set (Engine)
23	8973788140	Gasket	1		Also Included in Gasket Set (Engine)
24	0280508160	Bolt	4		SUB FOR 0280508120
25	19M7866	Screw	1		M8 X 20, SUB FOR 0280508200 AND 0280808200
26	0911801080	Nut	1		SUB FOR 8940120390
27	FYA00001668	Sensor	1		SUB FOR 8981216970 AND 8981216971, Manifold Absolute Pressure
28	8980170630	Stud	1		
29	8973811820	Sensor	1		Air Temperature
30	0280506120	Bolt	2		SUB FOR 0280806120

0-27 Engine Exhaust Manifold

TX1172093 A.1

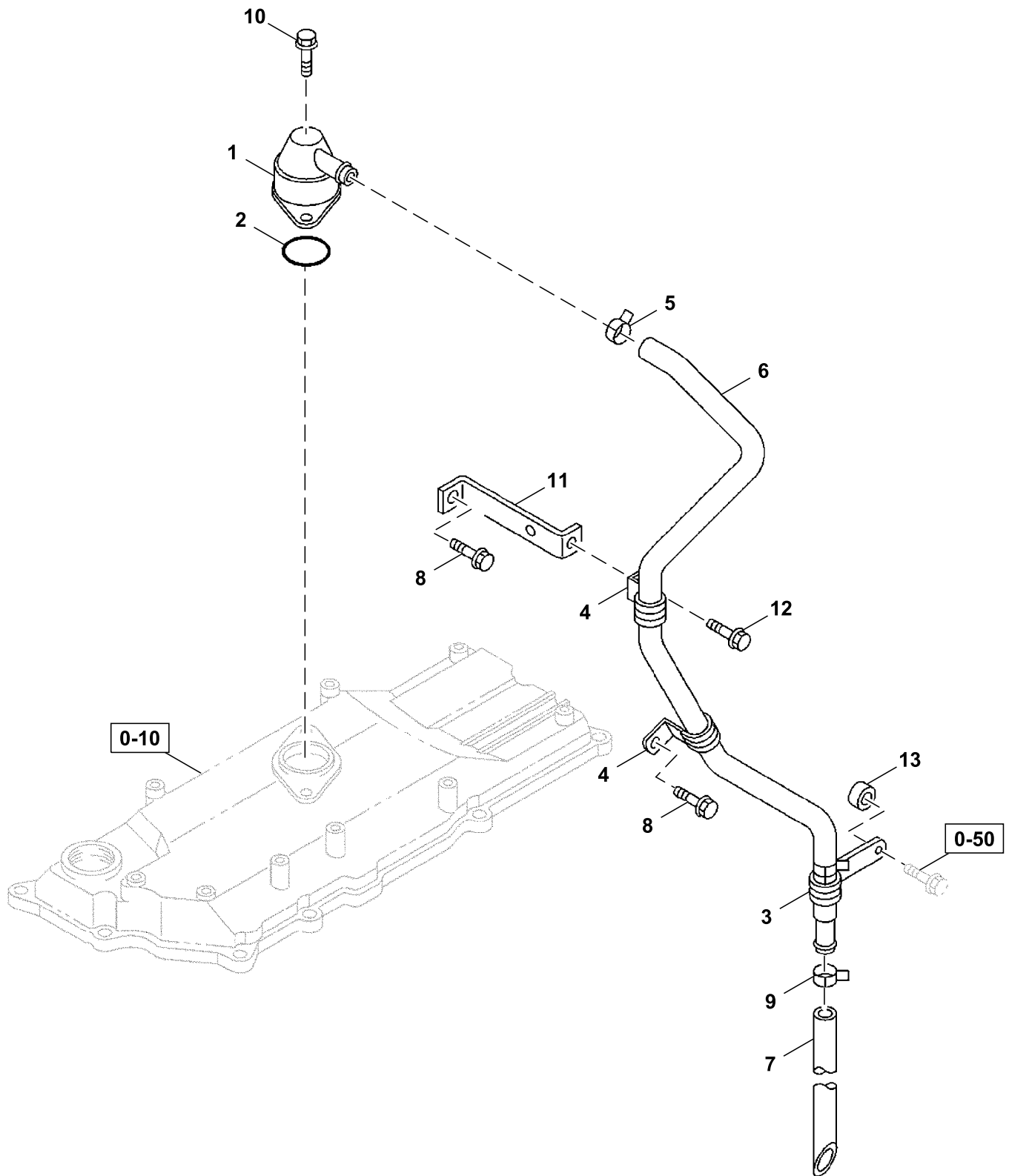


027A0151505_TX1172093

Key	Part No.	Part Name	Qty.	Serial No.	Remarks
1	8981139771	Manifold	1		Exhaust
2	8971464992	Gasket	1		SUB FOR 8971464991, Also Included in Gasket Kit, Engine and Head
3	1095560150	Washer	2		
4	8970615430	Bolt	6		M10X60
5	0911105100	Nut	2		SUB FOR 9091105100
6	8972500731	Locking Collar	8		
7	8981651751	Latch	1		SUB FOR 8981651750
8	8981651761	Latch	1		SUB FOR 8981651760
9	0281510200	Bolt	2		M10X20

0-28 Engine Ventilation

TX1172094 A.1

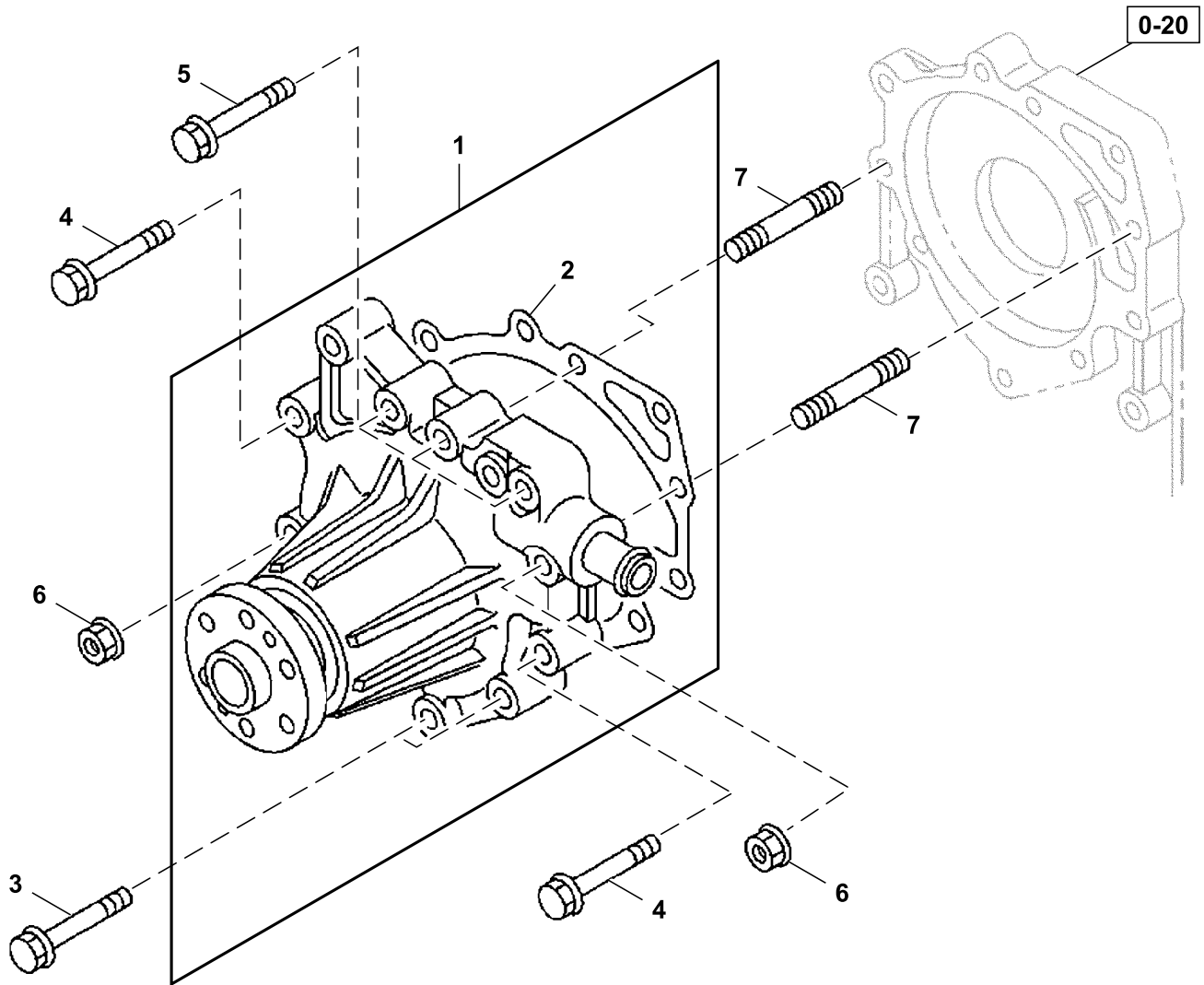


028A0151505_TX1172094

Key	Part No.	Part Name	Qty.	Serial No.	Remarks
1	1117401811	Breather	1		SUB FOR 1117401810 Also Included In Gasket Kit, Engine
2	1096235650	O-Ring	1		
3	1097007041	Clip	1		
4	8976155680	Clip	2		
5	1097071500	Clip	1		
6	8982422110	Hose	1		
7	8982596140	Hose	1		
8	0280508160	Bolt	2		M8X16, SUB FOR 0280508120
9	1097071500	Clip	1		
10	0281510200	Bolt	1		M10X20
11	8981893360	Bracket	1		
12	0281510160	Bolt	1		M10X16, SUB FOR 0281810160
13	8943876581	Spacer	1		

0-30 Water Pump

TX1172095 A.1

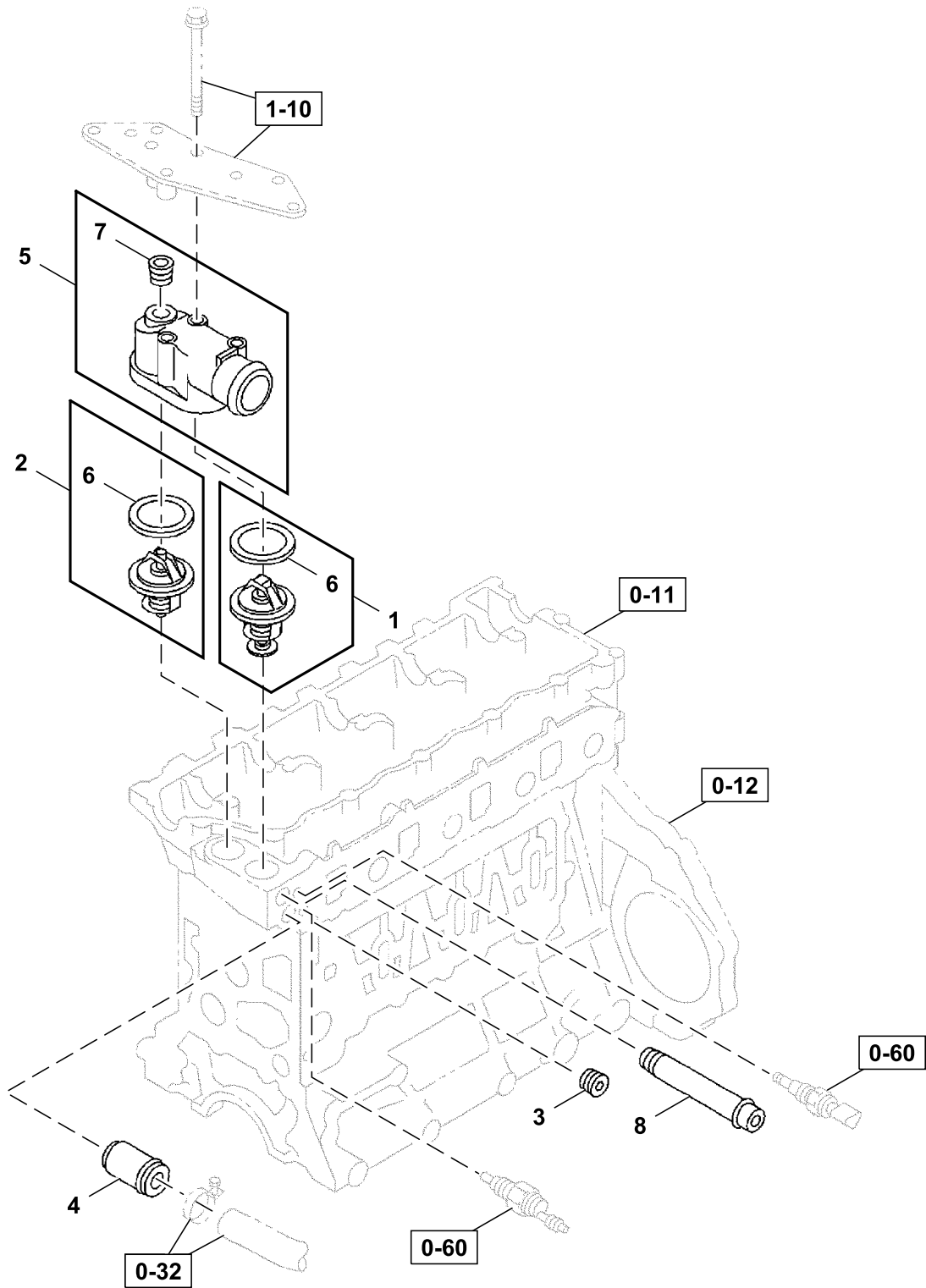


030A0151505_TX1172095

Key	Part No.	Part Name	Qty.	Serial No.	Remarks
1	5873111091	Water Pump	1		SUB FOR 5873111090
2	8981148001	Gasket	1		SUB FOR 8981148000, Also Included In Gasket Kit, Engine
3	8944584731	Bolt	2		M8X48, SUB FOR 8944584730
4	0280608700	Bolt	3		M8X70, SUB FOR 0280908700
5	0281510700	Bolt	3		M10X70
6	0911801080	Nut	2		M8, SUB FOR 8940120390
7	8980170630	Stud	2		M8X71

0-31 Thermostat and Housing

TX1172096 A.1

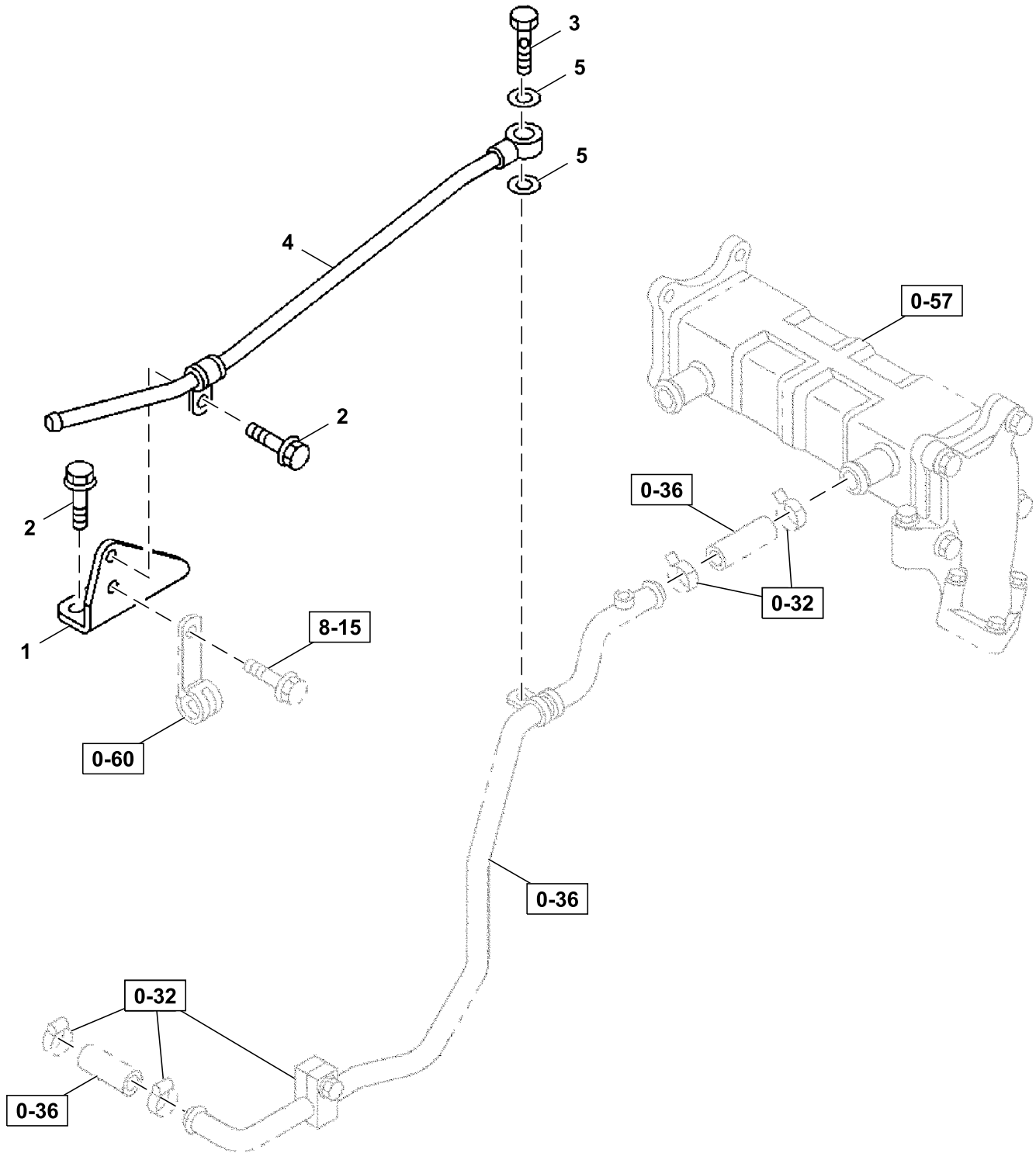


031A0151505_TX1172096

Key	Part No.	Part Name	Qty.	Serial No.	Remarks
1	8973007893	Thermostat	1		SUB FOR 8973007892, 82 Celsius
2	8982389101	Thermostat	1		SUB FOR 8982389100, 76 Celsius
3	5096050050	Pipe Plug	1		SUB FOR AT254825
4	8943425740	Pipe	1		
5	8943905201	Line	1		
6	8982802810	Gasket	1		Also Included In Gasket Set (Engine & Head)
7	8943905270	Plug	1		
8	1096605041	Fitting	1		

0-31 Thermostat Lines

TX1172097 A.1

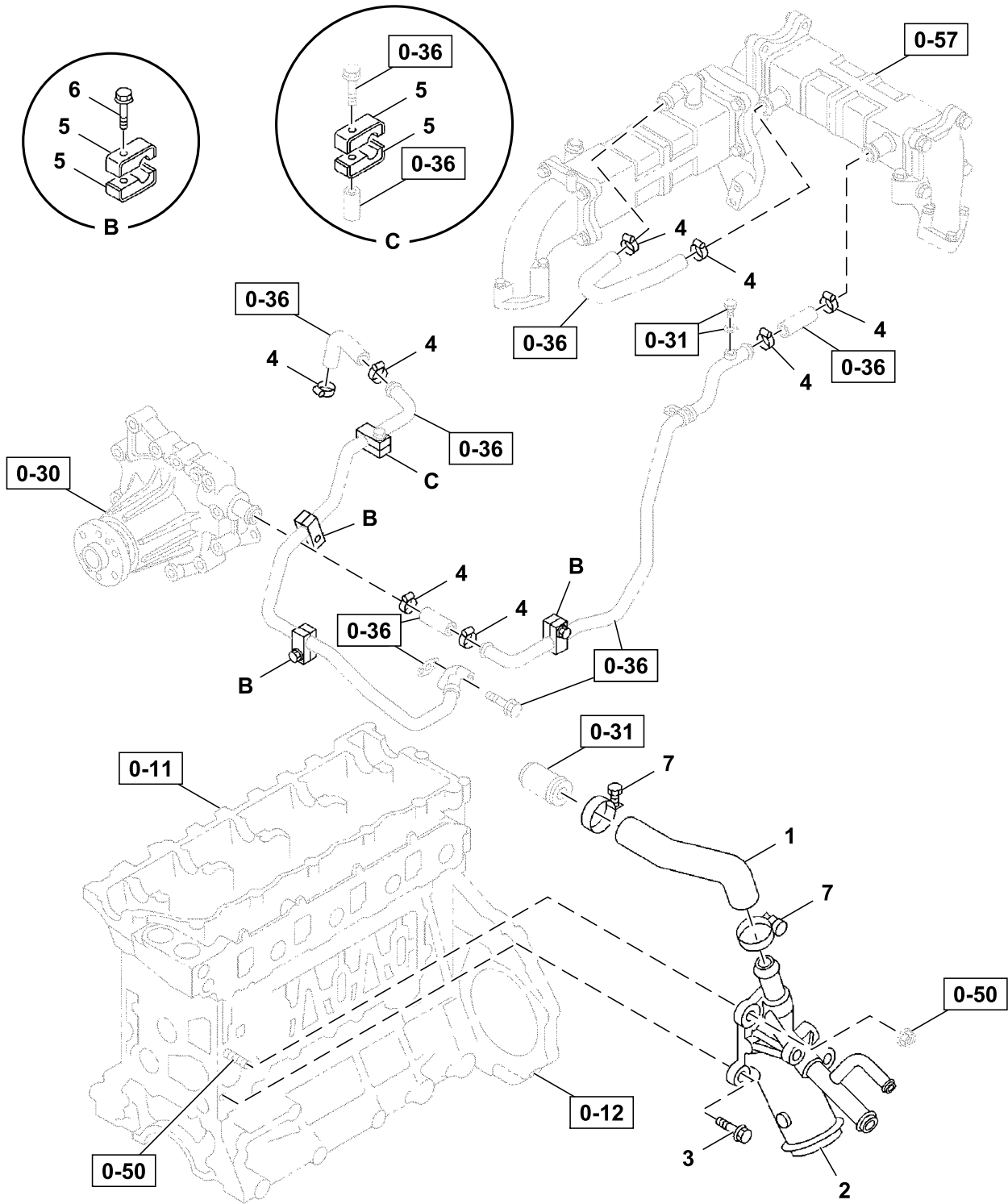


031A0251505_TX1172097

Key	Part No.	Part Name	Qty.	Serial No.	Remarks
1	8982476970	Bracket	1		
2	0280508160	Bolt	2		
3	8982480331	Bolt	1		M8X16, SUB FOR 0280508120
4	8982477240	Pipe	1		M10X23
5	9095714100	Gasket	2		

0-32 Water Bypass Manifold Plumbing

TX1172098 A.1

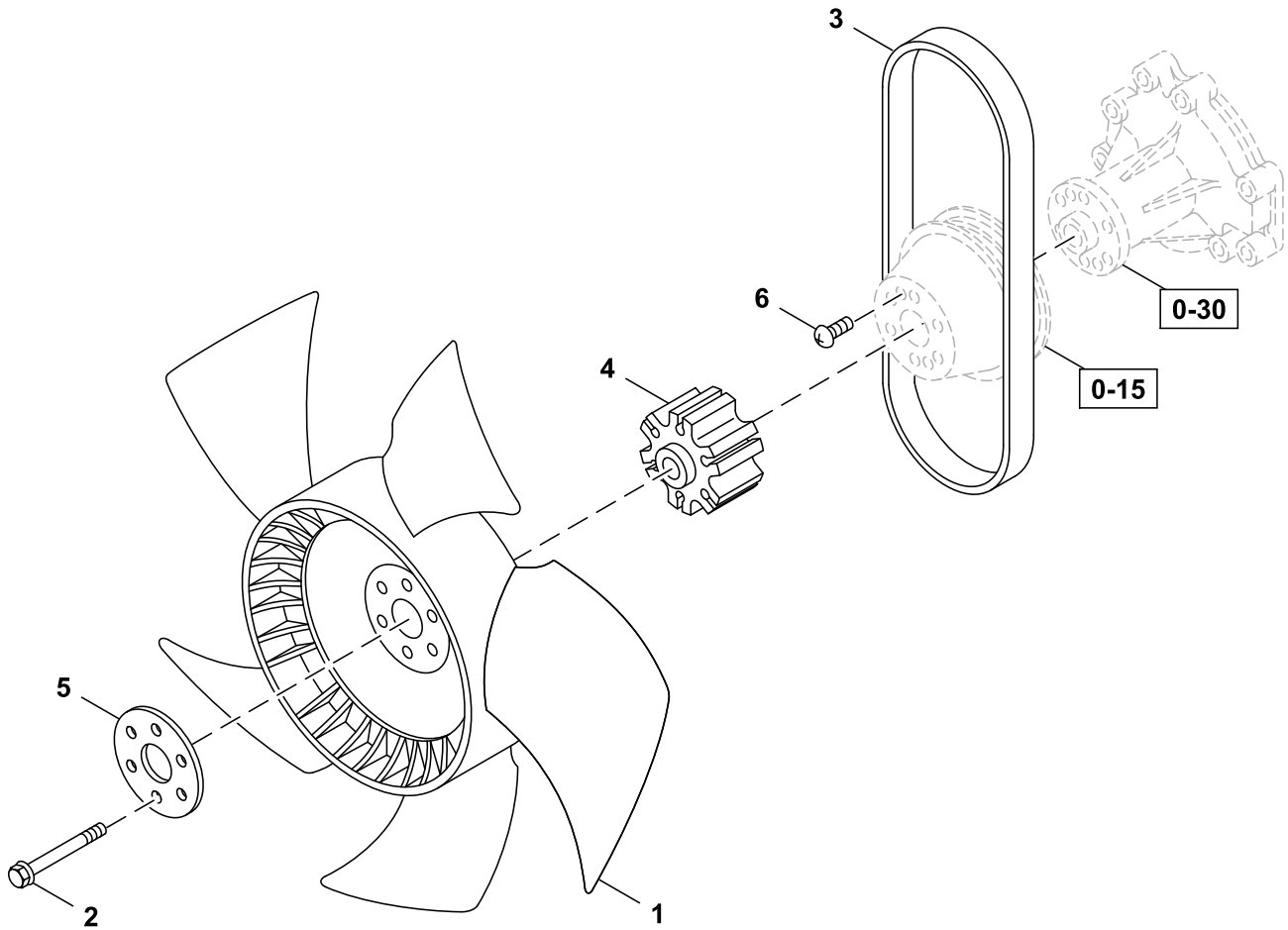


032A0151505_TX1172098

Key	Part No.	Part Name	Qty.	Serial No.	Remarks
1	8972099491	Hose	1		
2	8982373370	Pipe	1		
3	8944584731	Bolt	1		M8X48, SUB FOR 8944584730
4	1097071330	Clip	8		SUB FOR 1097071320
5	8976033621	Clip	8		
6	0280508500	Bolt	3		M8X50, SUB FOR 0280808500
7	8970110950	Clip	2		SUB FOR 9099153151

0-33 Fan and Fan Belt

TX1190227 B.1

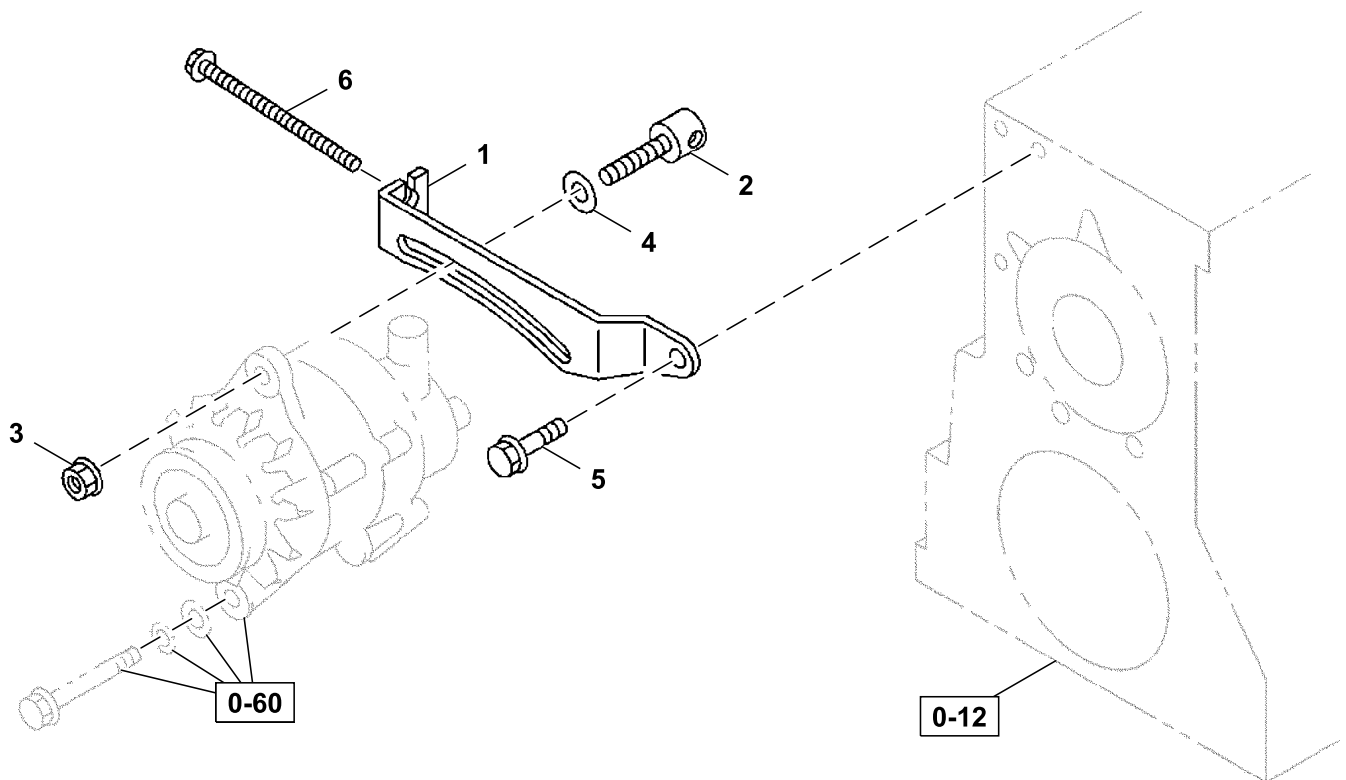


033A0251505_TX1190227

<i>Key</i>	<i>Part No.</i>	<i>Part Name</i>	<i>Qty.</i>	<i>Serial No.</i>	<i>Remarks</i>
1	8980185071	Fan	1		
2	8978058411	Bolt	6		
3	8973628150	V-Belt	1		
4	8980352340	Spacer	1		
5	8980201440	Plate	1		
6	9034906100	Screw	2		

0-33 Fan Motor Mounting

TX1172100 A.1

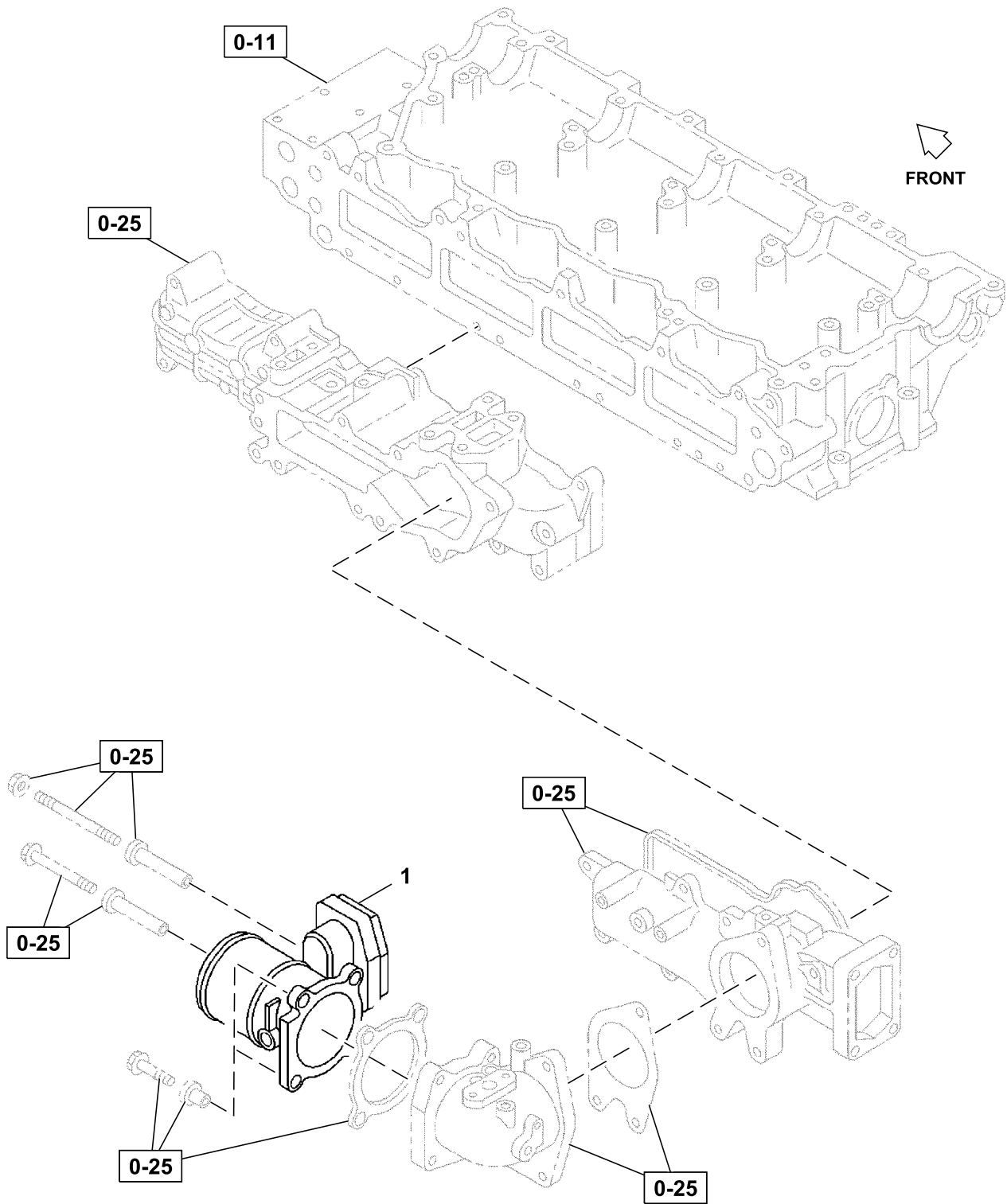


033A0251505_TX1172100

Key	Part No.	Part Name	Qty.	Serial No.	Remarks
1	8973628450	Plate	1		
2	1136741600	Adjuster	1		
3	0911801120	Nut	1		M12, SUB FOR 0911501120
4	0916107120	Washer	1		
5	0281510200	Bolt	1		M10X20
6	1090091141	Bolt	1		M10X155

0-35 Engine Throttle Control Valve

TX1172101 A.1

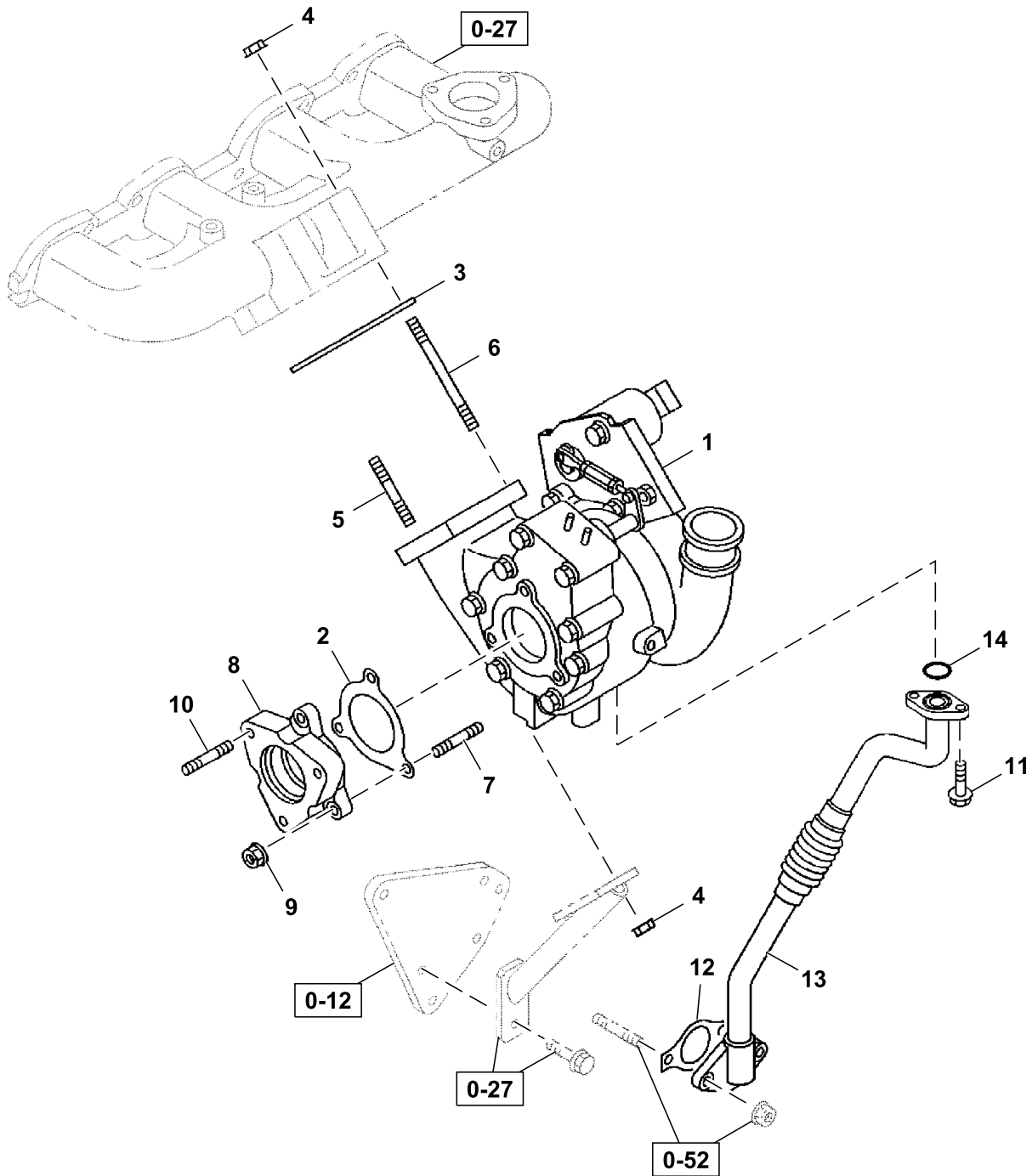


035A0151505_TX1172101

<i>Key</i>	<i>Part No.</i>	<i>Part Name</i>	<i>Qty.</i>	<i>Serial No.</i>	<i>Remarks</i>
1	8981008994	Valve	1		SUB FOR 8981008991, 8981008992 OR 8981008993, Throttle

0-36 Turbocharger

TX1172245 B.1

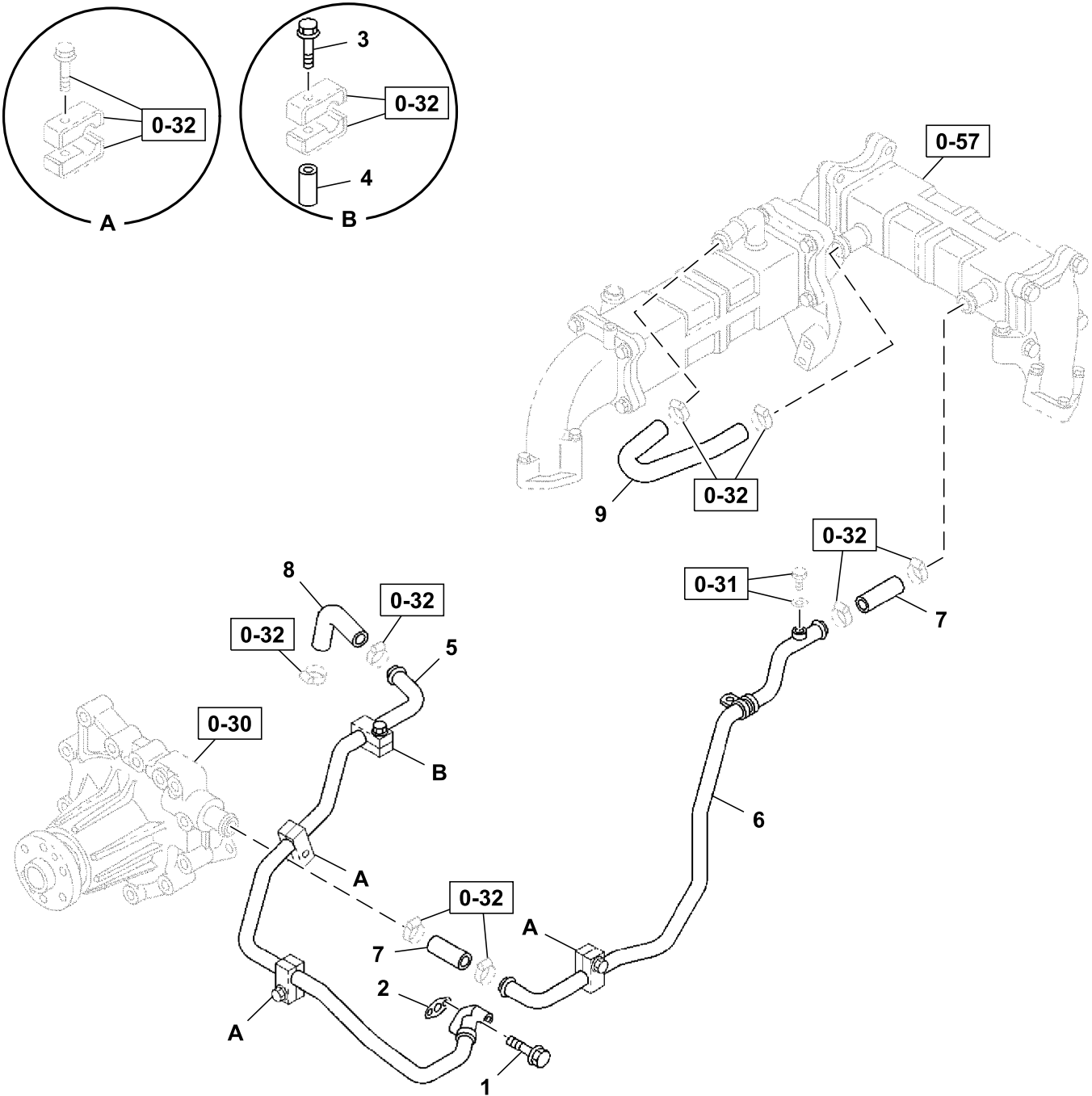


036A0151505_TX1172245

Key	Part No.	Part Name	Qty.	Serial No.	Remarks
1	8983250950	Turbocharger	1		SUB FOR 8982384740 AND 8982384741
2	4664929	Gasket	1		SUB FOR 8973767580, Also Included In Gasket Set, Engine & Head
3	8980462410	Gasket	1		Also Included In Gasket Set, Engine & Head
4	8973816170	Nut	4		
5	8973070752	Stud	2		
6	8980484460	Stud	2		
7	9041308250	Stud	3		
8	8982373490	Adapter	1		
9	14M7298	Flange Nut	3		M8, SUB FOR 8970614011
10	9041308250	Stud	3		
11	0505406160	Bolt	2		SUB FOR 0500806160
12	Gasket	1		8943946710 NLA, Also Included In Gasket Set, Engine & Head
13	8981148030	Pipe	1		
14	1096234620	Gasket	1		

0-36 Heat Exchangers, Water Pump to Exhaust Gas Recirculation (EGR)

TX1172246 A.1

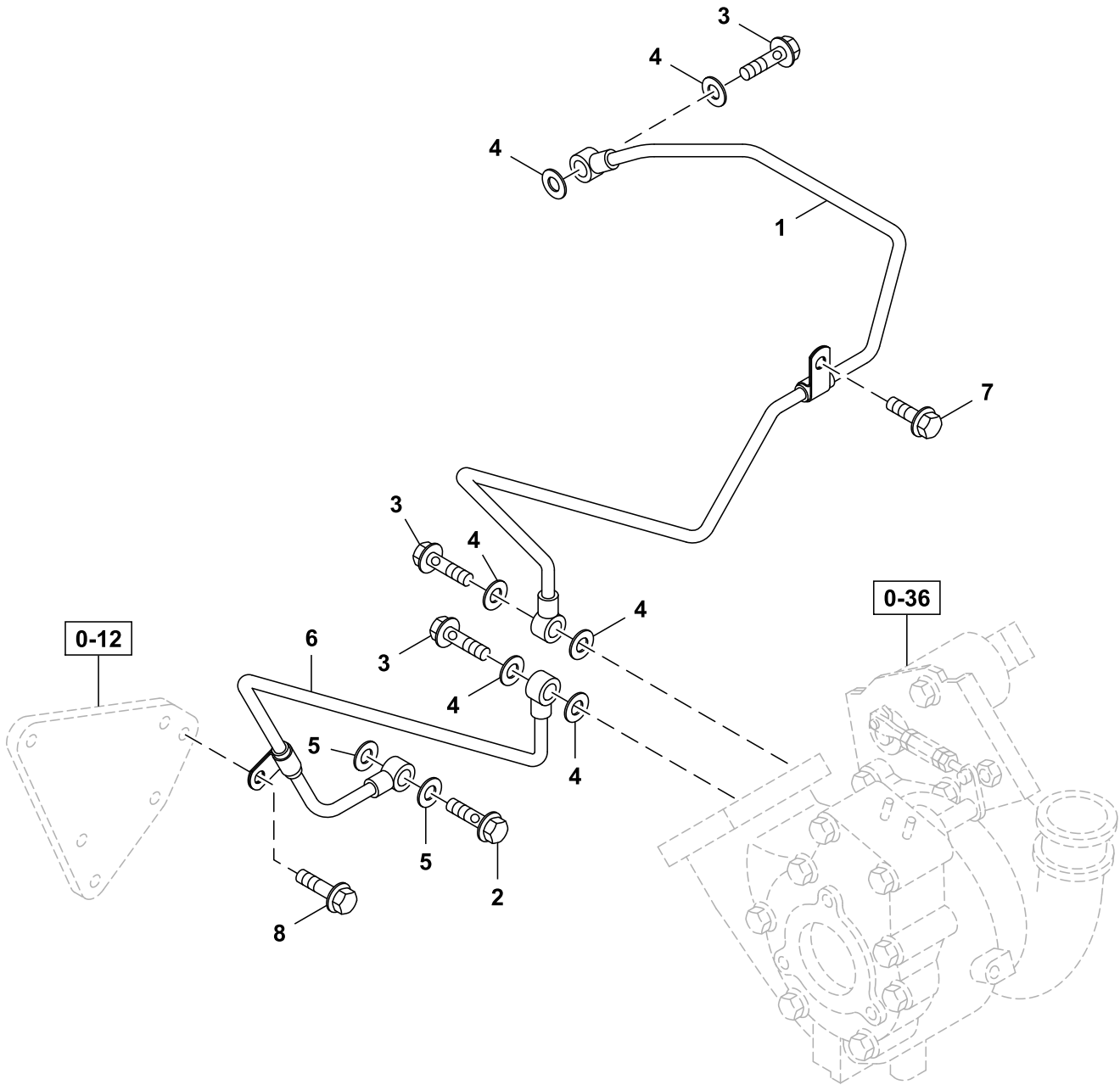


036A0251505_TX1172246

Key	Part No.	Part Name	Qty.	Serial No.	Remarks
1	0280508500	Bolt	2		M8X50, SUB FOR 0280808500
2	8980961660	Gasket	1		Also Included In Gasket Kit, Engine
3	0280508000	Bolt	1		M8X100
4	1113691570	Spacer	1		
5	8981232461	Pipe	1		Water Pump to Exhaust Gas Recirculation (EGR)
6	8981232472	Pipe	1		Water Pump to Exhaust Gas Recirculation (EGR)
7	0035743000	Hose	2		Exhaust Gas Recirculation (EGR) To Water Pump Hose
8	8981261860	Hose	1		Water Pump to Exhaust Gas Recirculation (EGR)
9	8981261870	Hose	1		Exhaust Gas Recirculation (EGR)

0-36 Turbocharger Cooling Plumbing

TX1172247 B.1

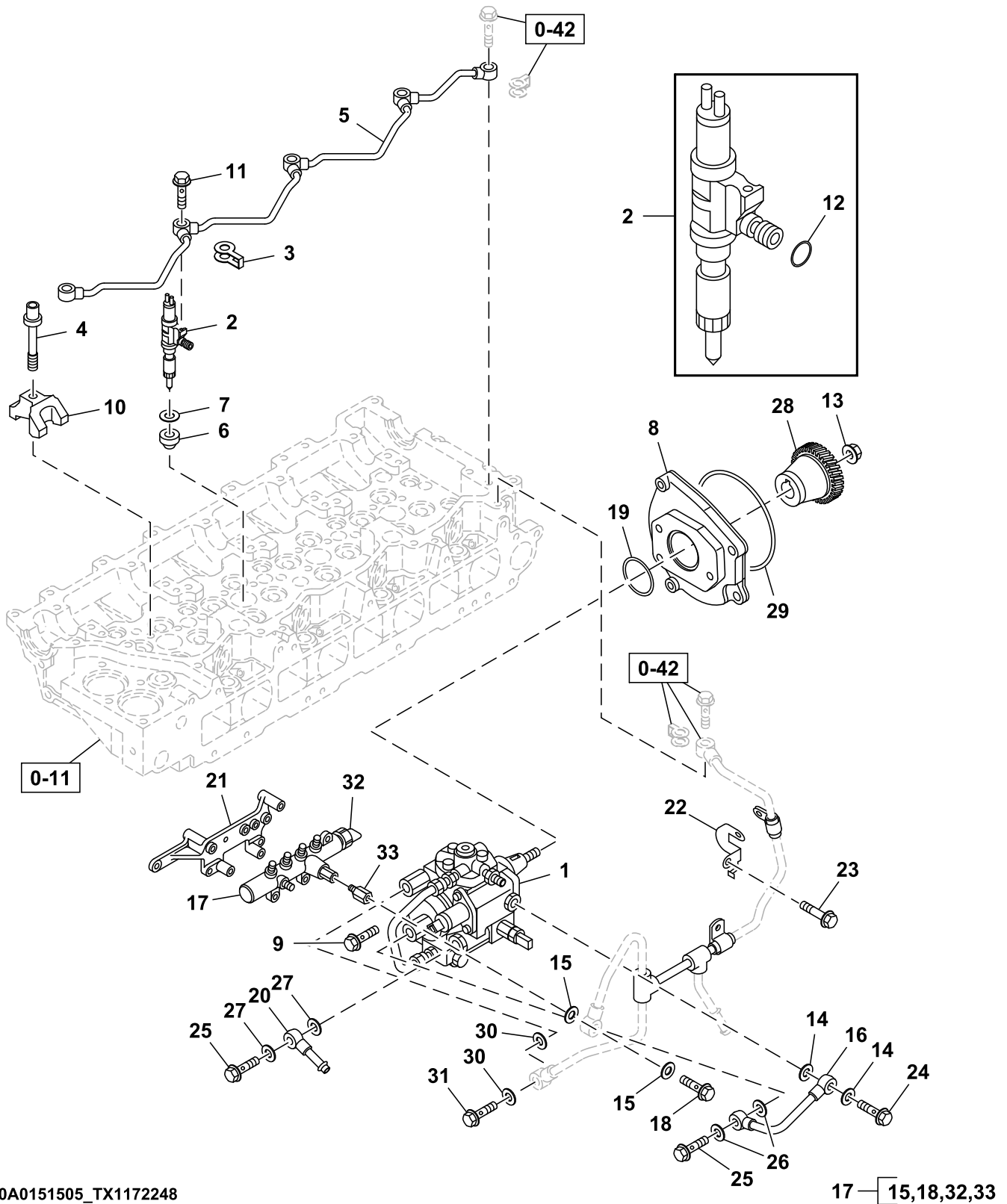


036A0351505_TX1172247

Key	Part No.	Part Name	Qty.	Serial No.	Remarks
1	8981519150	Pipe	1		
2	8944551440	Bolt	1		M14X30
3	8944369330	Bolt	3		M12X28
4	9095714120	Gasket	6		Also Included In Gasket Kit, Engine
5	8982513450	Packing	2		Also Included In Gasket Kit, Engine
6	8981148041	Pipe	1		
7	0280508160	Bolt	1		M8X12, SUB FOR 0280508120
8	0280508250	Bolt	1		M8X25, SUB FOR 0280808250

0-40 Fuel Injection System

TX1172248 E.1

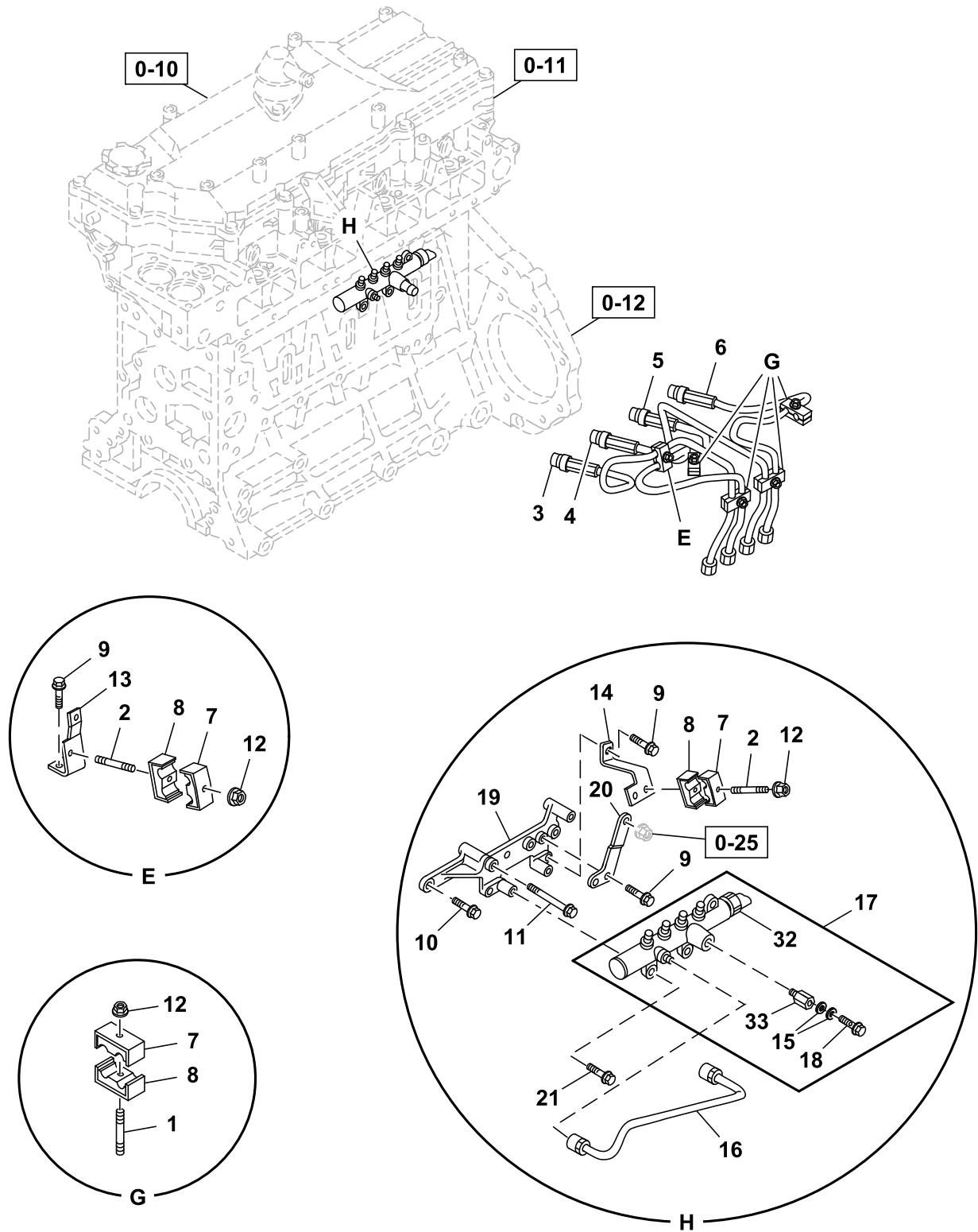


040A0151505_TX1172248

Key	Part No.	Part Name	Qty.	Serial No.	Remarks
1	8980817724	Pump	1		SUB FOR 8980817723, Components On Separate Page
2	8982384631	Electronic Unit Injector	4		
3	8980659920	Gasket	4		SUB FOR 8976009250, Also Included in Gasket Set (Engine and Head)
4	8980088950	Bolt	4		SUB FOR 8943909891
5	8973060810	Line	1		
6	8980792480	Gasket	4		SUB FOR 8976014472, Also Included in Gasket Set (Engine and Head)
7	8941734120	Gasket	4		Also Included in Gasket Set (Engine and Head)
8	8982365830	Bracket	1		
9	0286508300	Bolt	3		SUB FOR 8970297050
10	8980289991	Bracket	4		
11	1096750371	Bolt	4		
12	0956901110	Gasket	1		Also Included in Gasket Set (Engine and Head)
13	0911802140	Nut	1		
14	1156195070	Gasket	2		Also Included in Gasket Set (Engine)
15	8976022180	Gasket	2		Also Included in Gasket Set (Engine)
16	8982465671	Pipe	1		
17	8982446690	Fuel Rail	1		
18	8980358280	Eyebolt	1		SUB FOR 8980430330
19	8980318440	Gasket	1		SUB FOR 1096233000, Also Included in Gasket Set (Engine)
20	8981263320	Pipe	1		
21	8982365900	Bracket	1		
22	8980450081	Bracket	1		
23	0280508160	Bolt	1		SUB FOR 0280508120
24	8982007520	Bolt	1		
25	5157590030	Eyebolt	2		
26	1156195070	Gasket	2		Inlet
27	1156195070	Gasket	2		Outlet
28	8976016981	Gear	1		
29	8970392001	Gasket	1		Also Included in Gasket Set (Engine)
30	8976022180	Gasket	2		
31	8980358280	Eyebolt	1		SUB FOR 8980430330
32	8981387360	Sensor	1		Rail Pressure
33	8981386950	Pressure Switch	1		Rail Pressure

0-40 Fuel Injection Lines

TX1172249 D.1

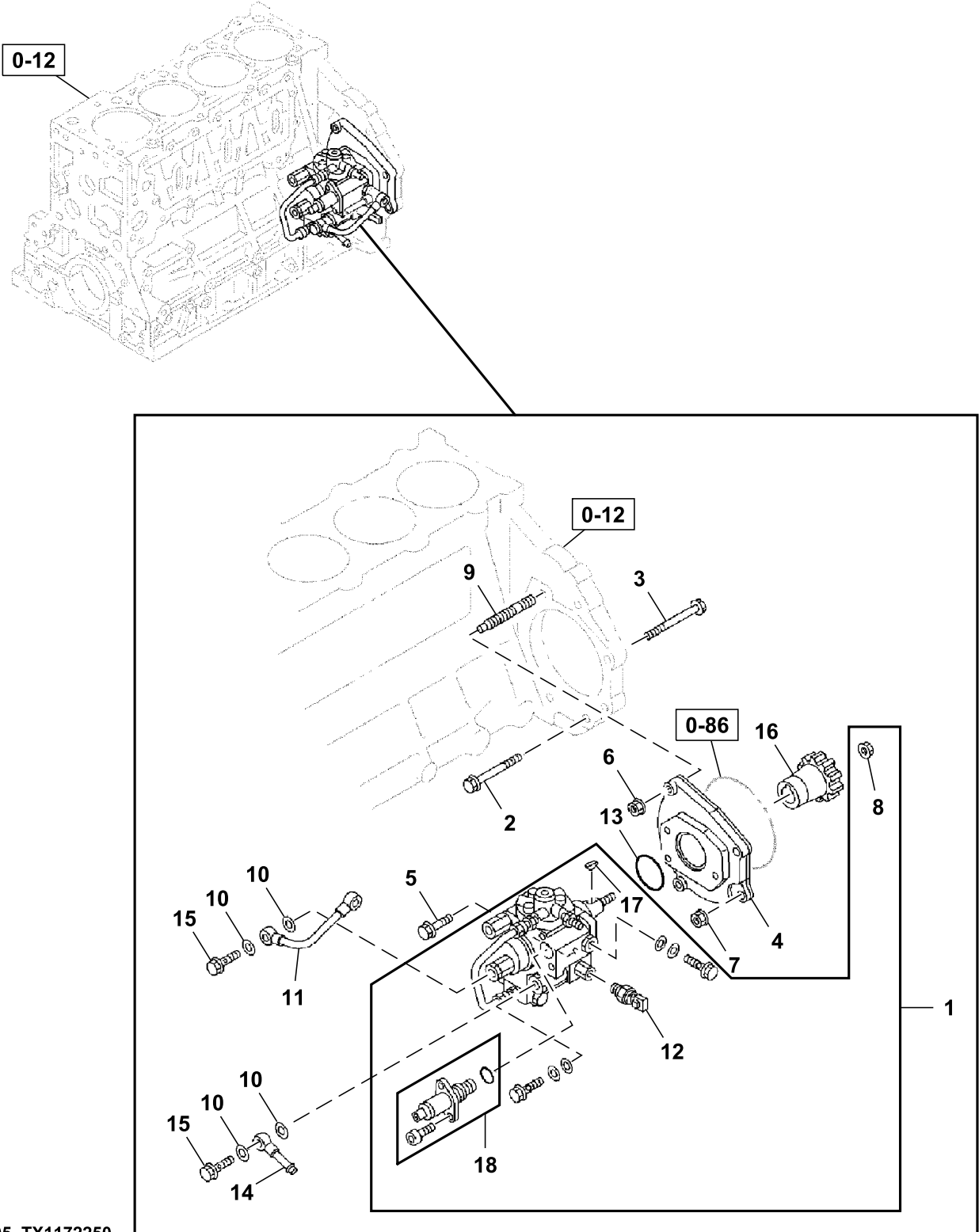


040A0351505_TX1172249

Key	Part No.	Part Name	Qty.	Serial No.	Remarks
1	0410106300	Stud	4		
2	8972032780	Stud	2		
3	8982373500	Pipe	1		
4	8982373510	Pipe	1		
5	8982373520	Pipe	1		
6	8982373530	Pipe	1		
7	8973301183	Clip	6		SUB FOR 8973301182
8	8973301193	Clip	6		SUB FOR 8973301192
9	0280508160	Bolt	3		M8X16, SUB FOR 0280508120
10	0280508250	Bolt	1		M8X25, SUB FOR 0280808250
11	0280808600	Bolt	1		M8X60, SUB FOR 0280508600, 8941583930 AND 8941583931
12	14M7303	Flange Nut	6		M6, SUB FOR 0911801060
13	8980010410	Bracket	1		Injection Pipe
14	8982373560	Bracket	1		Fuel Pipe
15	8976022180	Gasket	2		Also Included In Gasket Kit, Engine
16	8982373540	Pipe	1		
17	8982446690	Fuel Rail	1		
18	8980358280	Eyebolt	1		M14X26, SUB FOR 8980430330
19	8982365900	Bracket	1		Fuel Rail
20	8982373480	Bracket	1		Fuel Rail
21	0280508250	Bolt	3		M8X25, SUB FOR 0280808250
32	8981387360	Sensor	1		Rail Pressure
33	8981386950	Pressure Switch	1		Rail Pressure

0-40 Fuel Injection System Support

TX1172250 A.1

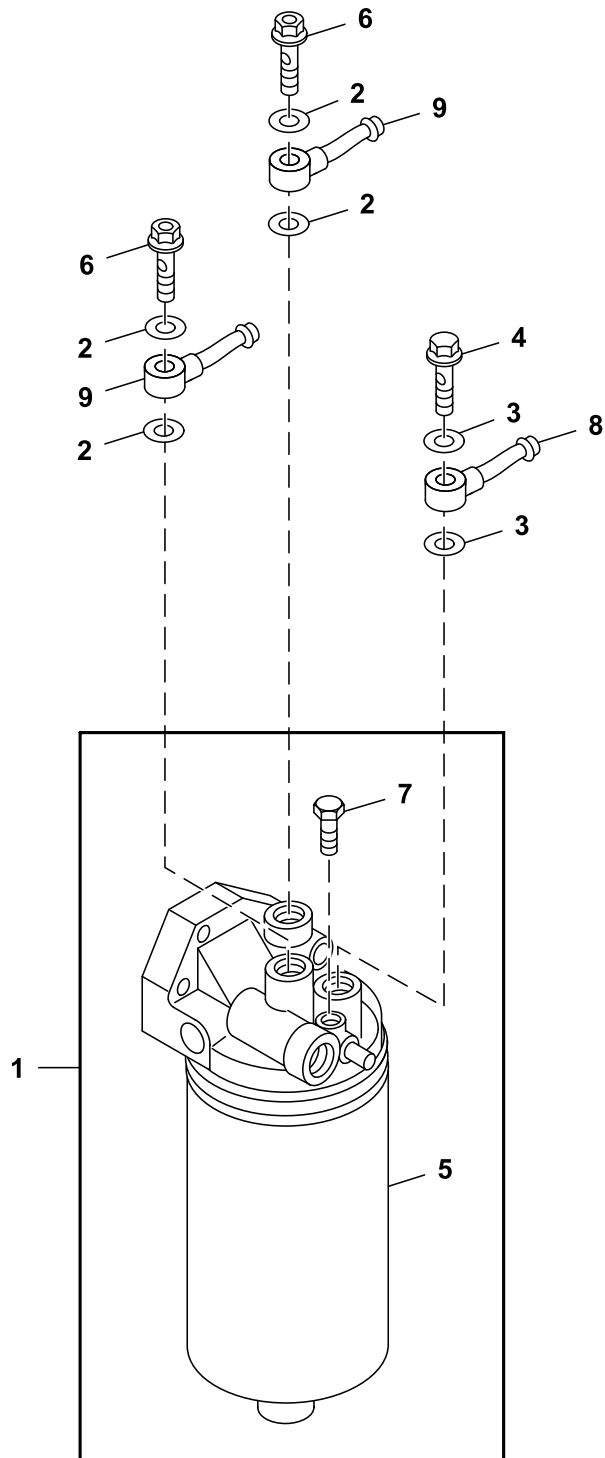


040A0451505_TX1172250

Key	Part No.	Part Name	Qty.	Serial No.	Remarks
1	8980817724	Pump	1		SUB FOR 8980817723, Fuel Injection
2	0281510500	Bolt	1		
3	0281512000	Bolt	1		
4	8982365830	Bracket	1		SUB FOR 8970297050
5	0286508300	Bolt	3		
6	0911801100	Nut	2		
7	0911802120	Nut	1		SUB FOR 8970663861
8	0911802140	Nut	1		
9	8973632370	Stud	2		
10	1156195070	Gasket	4		Also Included in Gasket Set (Engine)
11	8982465671	Pipe	1		
12	8980235810	Fuel Temperature Sensor	1		Fuel Temperature, SUB FOR 8972385960
13	8980318440	Gasket	1		SUB FOR 1096233000, Also Included in Gasket Set (Engine)
14	8981263320	Pipe	1		
15	5157590030	Eyebolt	2		
16	8976016981	Gear	1		
17	8981619950	Key	1		
18	8981455010	Suction Control Valve	1		SUB FOR 8981455011

0-41 Final Fuel Filter

TX1172251 B.1

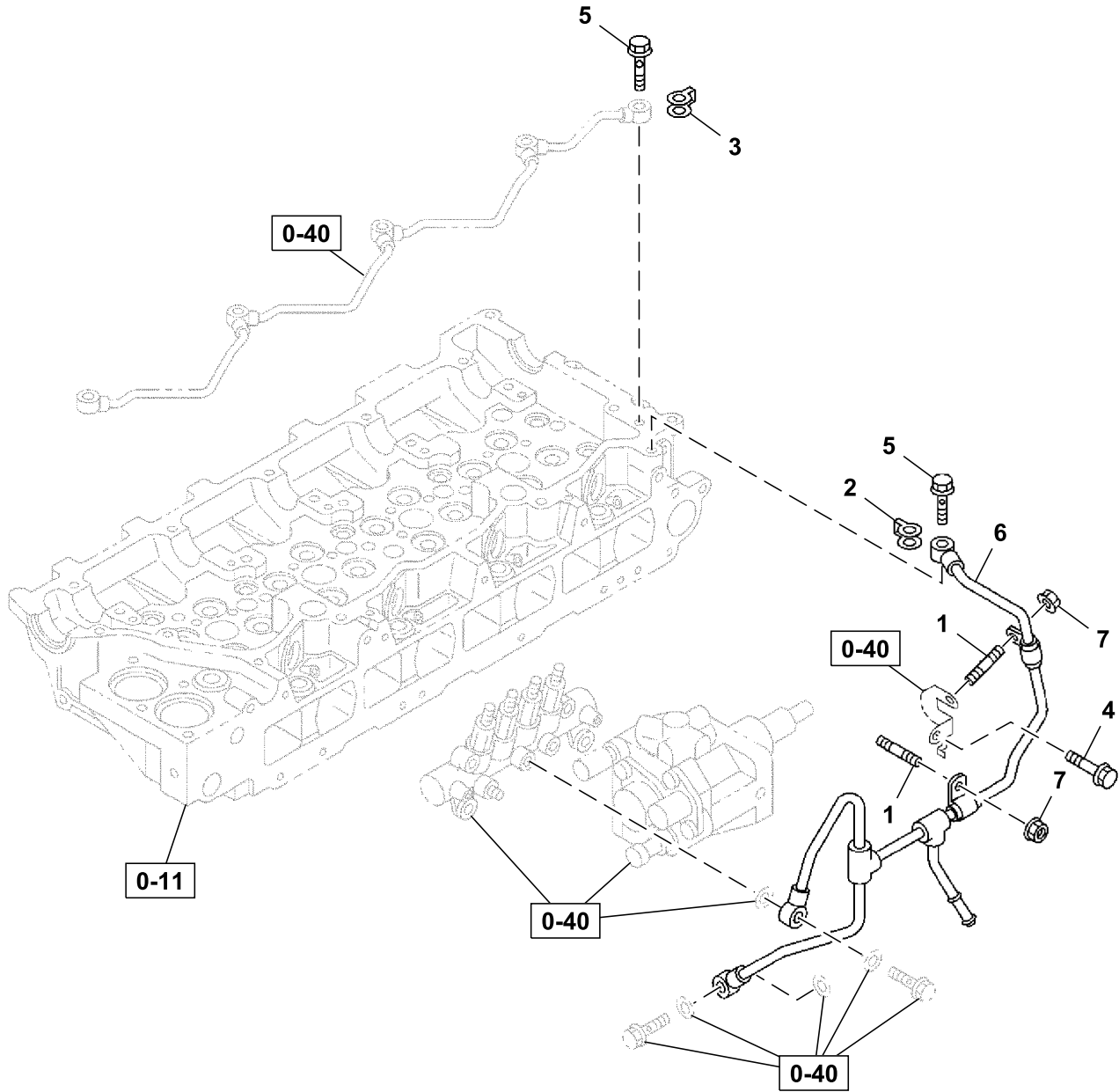


041A0151505_TX1172251

Key	Part No.	Part Name	Qty.	Serial No.	Remarks
1	8982394655	Fuel Filter	1		Final, SUB FOR 8982394650, 8982394654 AND 8982394652
2	1096300860	Gasket	4		Also Included In Gasket Set, Engine, SUB FOR 4634979
3	8982513450	Packing	2		
4	8982385990	Valve	1		Fuel Overflow
5	8983129180	Filter Element	1		Final Fuel Filter, Includes Gasket, SUB FOR 8982394641 AND 8982394640
6	1096750951	Eyebolt	2		SUB FOR 4634716
7	8983673800	Valve	1		Fuel Filter, SUB FOR 8980088460 AND 8980088461
8	4452162	Line	1		SUB FOR 5154112231
9	8973834270	Line	2		SUB FOR 4634911

0-42 Fuel Pump Line

TX1172252 A.1

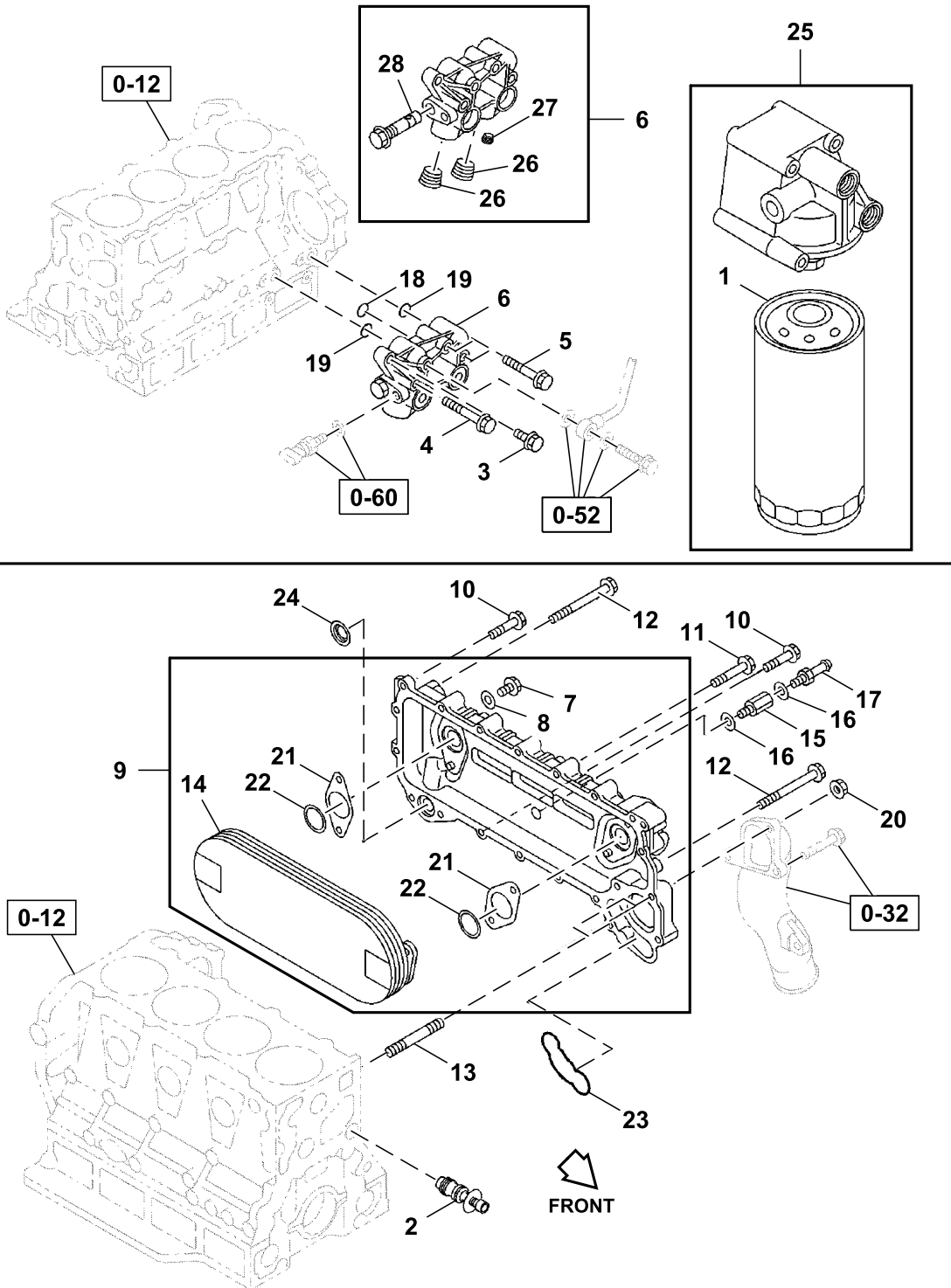


042A0151505_TX1172252

Key	Part No.	Part Name	Qty.	Serial No.	Remarks
1	14M7303	Flange Nut	2		M6, SUB FOR 0911801060
2	8982313930	Gasket	1		Also Included in Gasket Set (Engine and Head)
3	8980797550	Gasket	1		Also Included in Gasket Set (Engine and Head)
4	0280506120	Bolt	1		SUB FOR 0280806120
5	8943967110	Bolt	2		
6	8982373550	Pipe	1		
7	0410106120	Stud	2		

0-50 Engine Oil Cooler

TX1172389 A.1

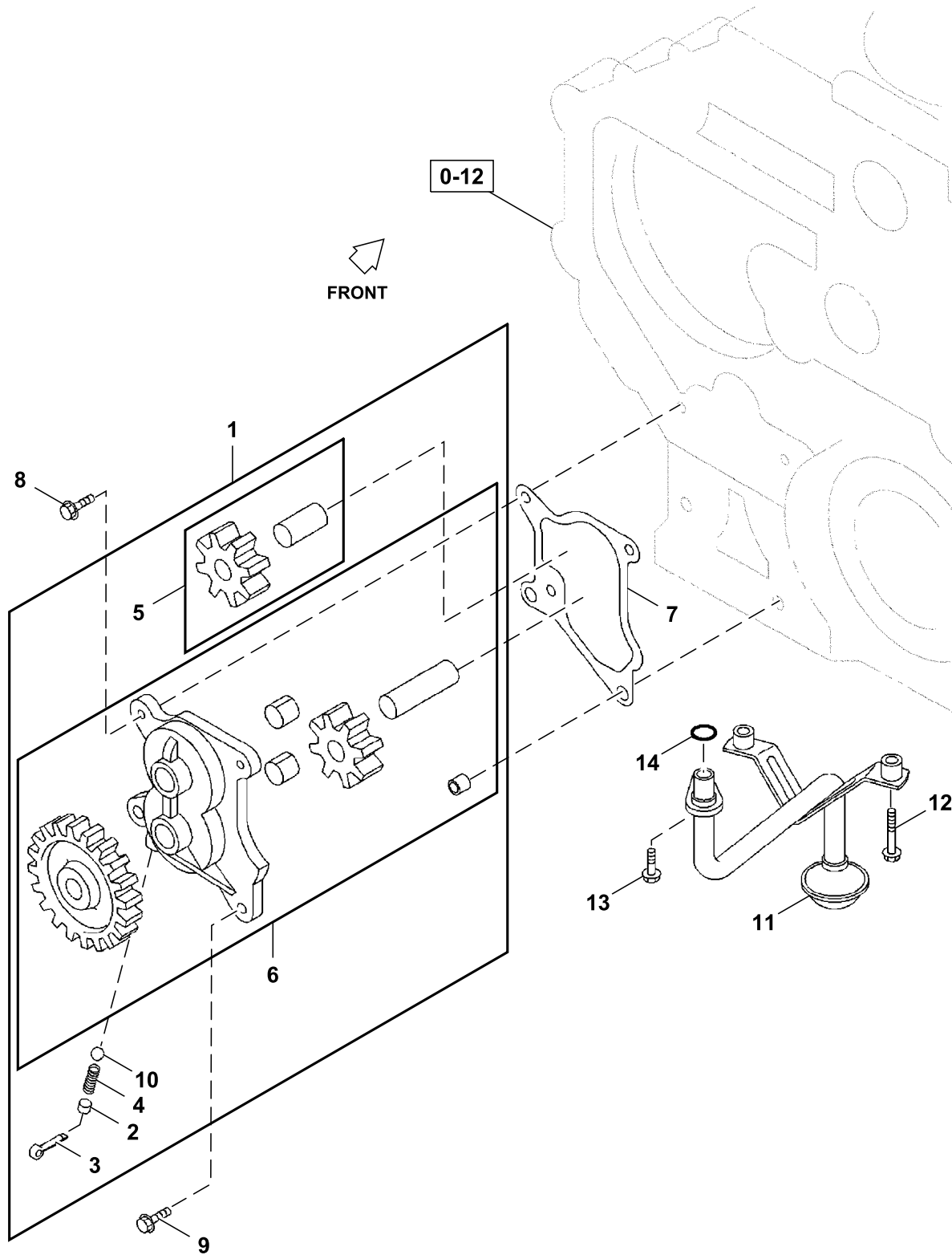


050A0151505_TX1172389

Key	Part No.	Part Name	Qty.	Serial No.	Remarks
1	8983758600	Filter Element	1		SUB FOR 8983020751, 8983020750R, 8983020750 AND 1132402322, Oil Filter Bypass
2	8970135662	Valve	1		
3	0281510250	Bolt	1		
4	0281510000	Bolt	1		SUB FOR 0281810000
5	0281510900	Bolt	2		
6	8981097111	Cover	1		Oil Port, SUB FOR 8981097110
7	0208510160	Bolt	4		SUB FOR 0208010160
8	8981354640	Gasket	4		
9	8980690204	Oil Cooler	1		SUB FOR 8980690202 OR 8980690203
10	19M7866	Screw	8		M8 X 20, SUB FOR 0280508200 AND 0280808200
11	0280808400	Bolt	7		SUB FOR 0280508400 AND AT259927
12	1090440730	Bolt	2		SUB FOR 9029558750
13	8970163140	Stud	2		
14	8981227860	Core	1		
15	8944619651	Adapter Fitting	1		
16	1096301410	Gasket	2		Also Included in Gasket Set (Engine)
17	8981475390	Pipe	1		
18	8943993390	Gasket	1		SUB FOR 8943997130, Also Included in Gasket Set (Engine)
19	8943993990	Gasket	2		Also Included in Gasket Set (Engine)
20	0911801080	Nut	2		SUB FOR 8940120390
21	8981227830	Gasket	2		
22	8981227840	Gasket	2		
23	8943388781	Gasket	1		Also Included in Gasket Set (Engine)
24	8980454470	Gasket	1		Also Included in Gasket Set (Engine)
25	8983758660	Oil Filter	1		SUB FOR 8983042430, 8983042431 OR 8973243861
26	1096050250	Pipe Plug	2		
27	5096050192	Pipe Plug	1		SUB FOR 1096050500, AT254812, 1096050502, 5096050190 AND 5096050191
28	1131600350	Pressure Relief Valve	1		

0-51 Engine Oil Pump And Strainer

TX1172390 A.1

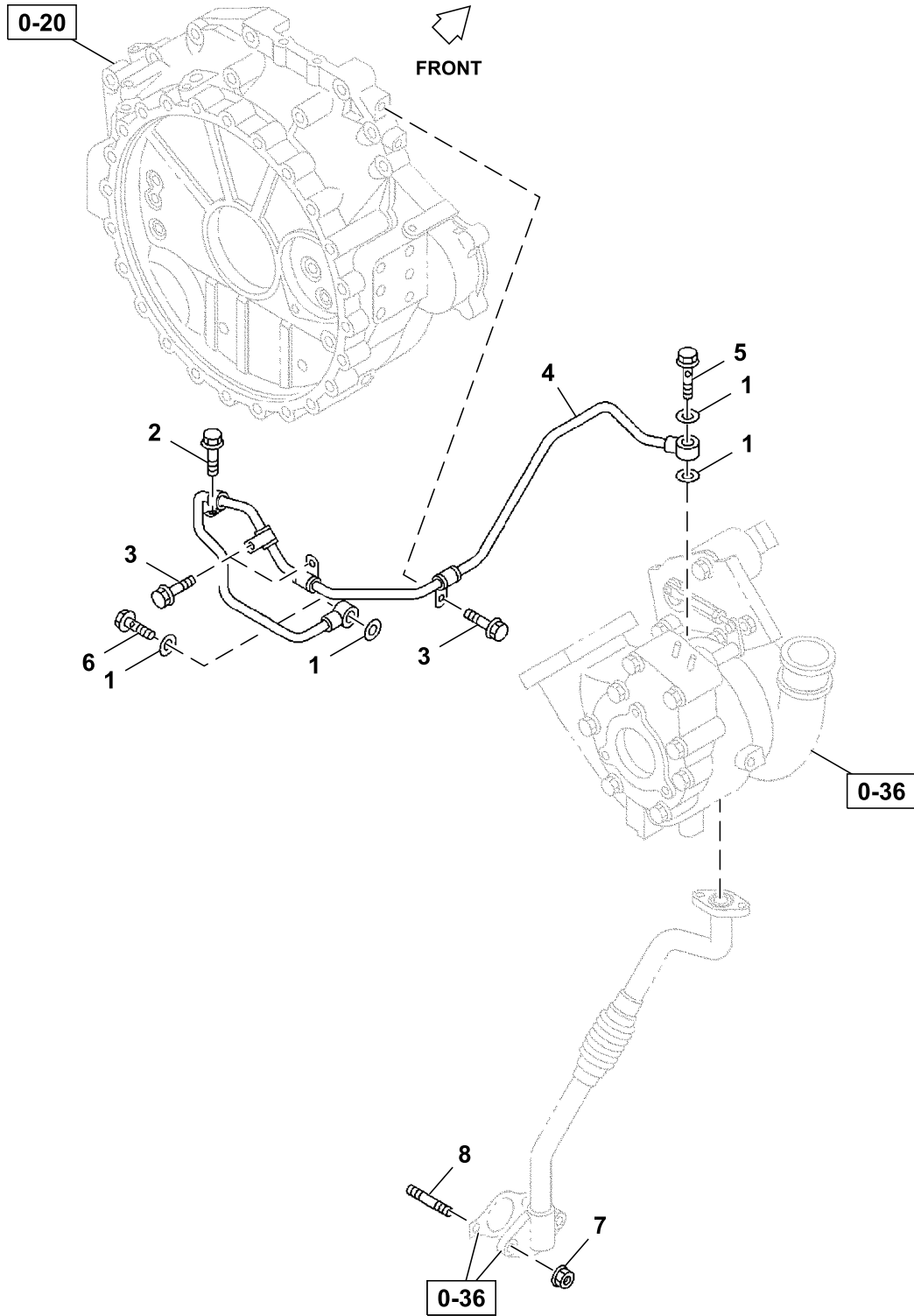


051A0151505_TX1172390

Key	Part No.	Part Name	Qty.	Serial No.	Remarks
1	1131003133	Oil Pump	1		SUB FOR 1131003132
2	5131650040	Plate	1		
3	0811240300	Pin	1		SUB FOR 9081040300 AND 9081140300
4	5095800980	Spring	1		
5	8943925590	Gear	1		
6	1131200902	Gear	1		SUB FOR 1131200901
7	1096236850	Gasket	1		Also Included In Gasket Kit, Engine
8	0280608250	Bolt	2		M8X25, SUB FOR 0280908250
9	0280908300	Bolt	2		M8X30, SUB FOR 0280608300
10	5098430030	Ball	1		
11	8981218760	Strainer	1		Oil Pump
12	0281510000	Bolt	2		M10X100, SUB FOR 0281810000
13	0280608160	Bolt	1		M8X16
14	8943993980	Gasket	1		SUB FOR 8971375010, Also Included In Gasket Kit, Engine

0-52 Engine Oil Vacuum Lines To Timing Gear Case and Flywheel

TX1172391 A.1

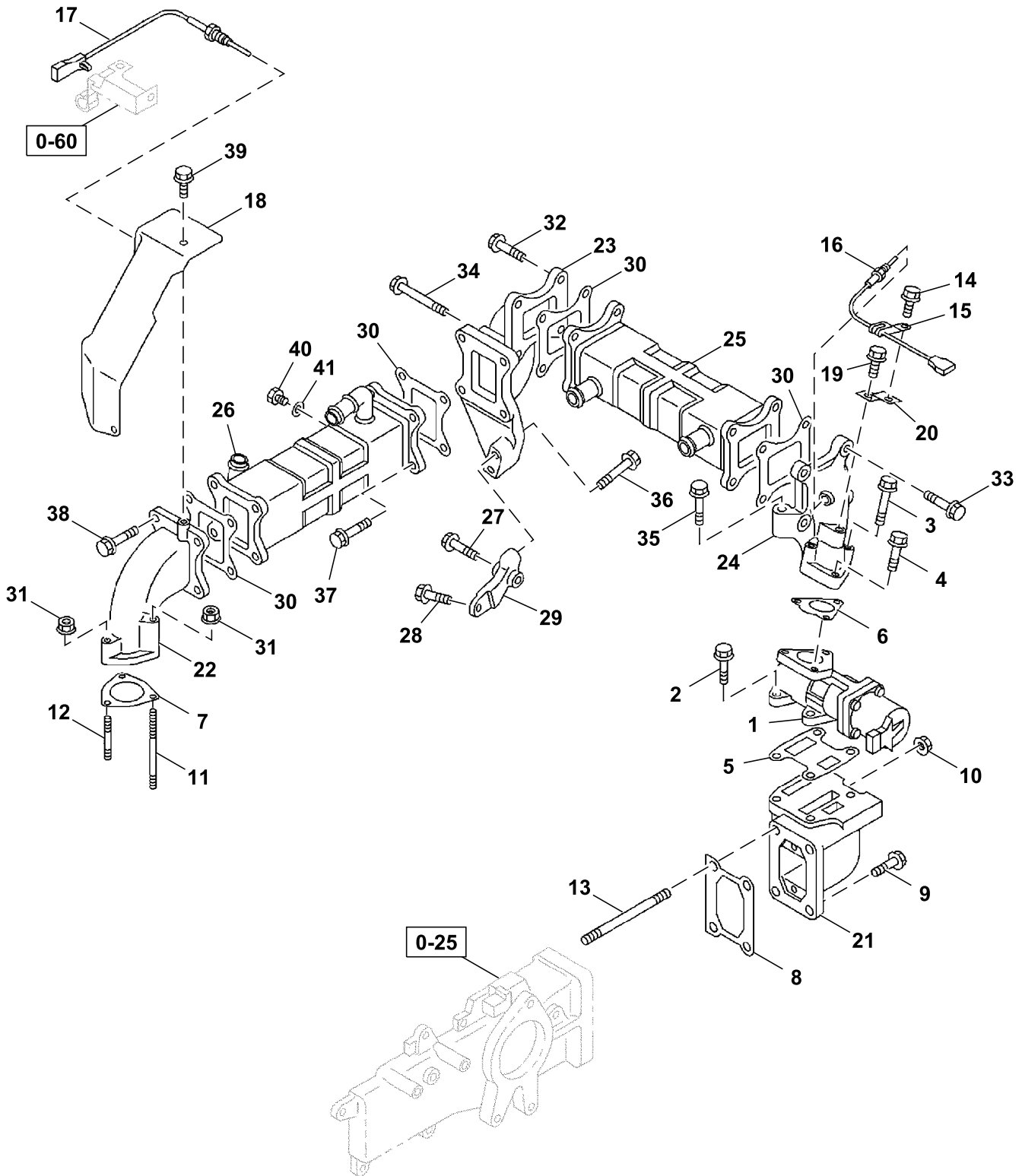


052A0151505_TX1172391

Key	Part No.	Part Name	Qty.	Serial No.	Remarks
1	9095714100	Gasket	4		Also Included in Gasket Set (Engine)
2	0280508160	Bolt	1		SUB FOR 0280508120
3	0280908120	Bolt	3		SUB FOR 0280608120
4	8981148010	Pipe	1		
5	8944707710	Bolt	1		SUB FOR 8941077132
6	8980378230	Bolt	1		
7	0911801080	Nut	2		SUB FOR 8940120390
8	0410108200	Stud	2		SUB FOR 9041108200

0-57 Exhaust Gas Recirculation (EGR)

TX1172392 A.1

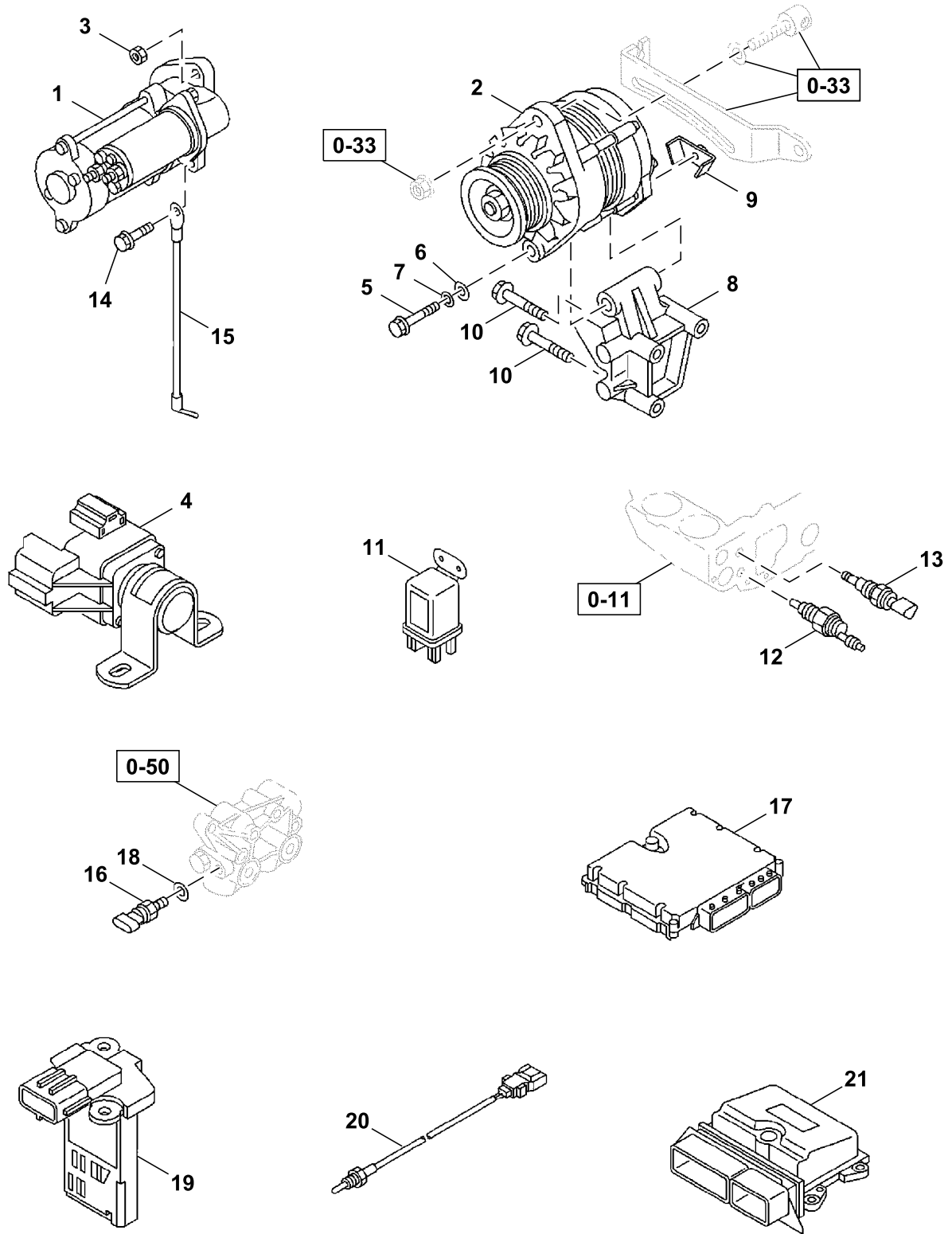


057A0151505_TX1172392

Key	Part No.	Part Name	Qty.	Serial No.	Remarks
1	8982391292	Valve	1		SUB FOR 8982391290, Exhaust Gas Recirculation (EGR)
2	0280508250	Bolt	4		SUB FOR 0280808250
3	0280808600	Bolt	2		SUB FOR 0280508600, 8941583930 AND 8941583931
4	0280808350	Bolt	1		SUB FOR 0280508350
5	8980010240	Gasket	1		Also Included in Gasket Set (Engine)
6	8980010230	Gasket	1		Also Included in Gasket Set (Engine)
7	8980461921	Gasket	1		SUB FOR 8980461920, Also Included in Gasket Set (Engine)
8	8973745170	Gasket	1		Also Included in Gasket Set (Engine)
9	0281810300	Bolt	2		SUB FOR 0281510300 AND 0281210300
10	0911801100	Nut	2		
11	8941558690	Stud	1		
12	8973780670	Stud	2		SUB FOR 8971045071
13	1093021590	Stud	2		SUB FOR 1093021070
14	0280508160	Bolt	1		SUB FOR 0280508120
15	8973679851	Clip	1		SUB FOR 8973679850
16	8980283980	Sensor	1		Temperature
17	8980309550	Sensor	1		Temperature
18	8982373460	Shield	1		
19	0286508200	Bolt	1		SUB FOR FYA00000690
20	8982373600	Bracket	1		
21	8981217690	Air Duct	1		SUB FOR 8980010220
22	8982365740	Tube	1		
23	8981232511	Air Duct	1		
24	8982365750	Tube	1		
25	8981078574	Heat Exchanger	1		SUB FOR 8981078573
26	8981222262	Heat Exchanger	1		SUB FOR 8981222261
27	0281512600	Bolt	1		SUB FOR 0281812600
28	0286608250	Bolt	1		SUB FOR 0286908250
29	8981727350	Bracket	1		
30	8982007530	Gasket	4		Also Included in Gasket Set (Engine)
31	14M7298	Flange Nut	3		M8, SUB FOR 8970614011
32	0280508300	Bolt	2		
33	0280808350	Bolt	4		SUB FOR 0280508350
34	0280508900	Bolt	2		SUB FOR 0280808900
35	0281510500	Bolt	1		
36	0281510700	Bolt	2		
37	0583308300	Bolt	4		
38	8980435280	Bolt	4		
39	8973780750	Bolt	4		SUB FOR 8943126991
40	8980727120	Plug	1		
41	9095714100	Gasket	1		Also Included in Gasket Set (Engine)

0-60 Engine Control Unit (ECU)

TX1172393 A.1

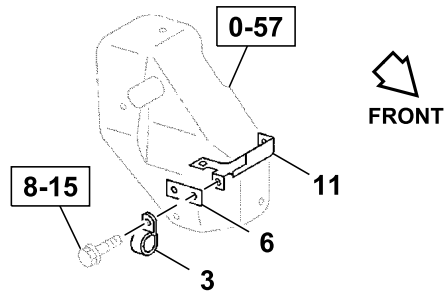
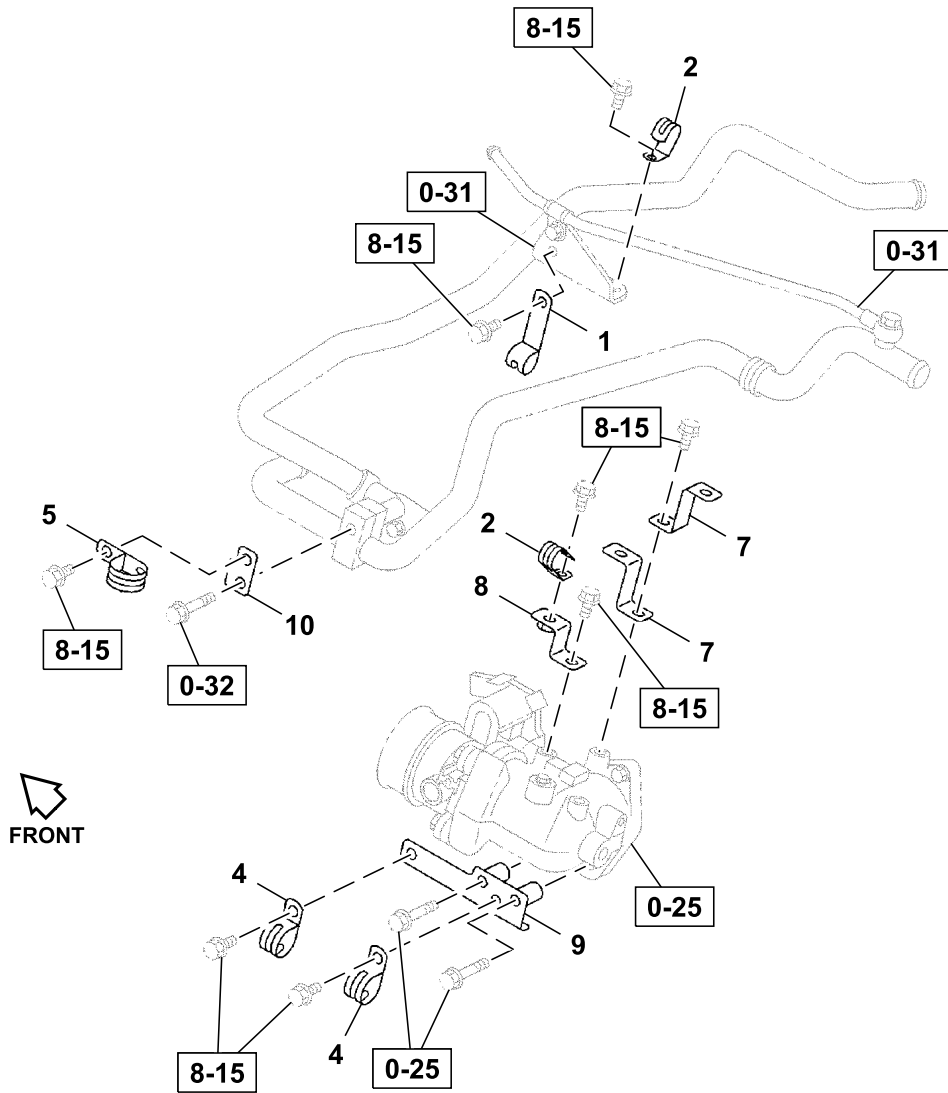


060A0151505_TX1172393

Key	Part No.	Part Name	Qty.	Serial No.	Remarks
1	8980703211	Starter Motor	1		Components On Separate Page
2	8980921162	Alternator	1		Components On Separate Page, SUB FOR 8980921160 AND 8980921161
3	0911802120	Nut	2		
4	8980056311	Relay	1		SUB FOR 4681233 OR 8980056310, Starter
5	1090001331	Bolt	1		
6	0916105140	Washer	1		SUB FOR 9091605140
7	0915105140	Washer	1		
8	8973628441	Bracket	1		
9	1197110290	Nut	1		
10	0281510800	Bolt	3		SUB FOR 0168060850
11	8944607061	Relay	1		SUB FOR 8944607060, Glow Plug
12	4371318	Switch	1		Overheat Warning, SUB FOR 8971256011
13	8981566480	Sensor	1		Temperature, SUB FOR 8973639360
14	0280610200	Bolt	1		SUB FOR 0280910200
15	9829322110	Cable	1		
16	8980274560	Sensor	1		Pressure
17	8982853192	Control	1		Engine Control Unit (ECU)
18	8982513450	Packing	1		
19	4664861	Sensor	1		Mass Air Flow (MAF), SUB FOR 8976019670
20	8973811820	Sensor	1		Intake Air Temperature
21	8982853211	Control	1		DEF Dosing Control Unit, SUB FOR FYA00040138 AND 8982853210

0-60 Engine Electrical Control Mounting

TX1172394 A.1

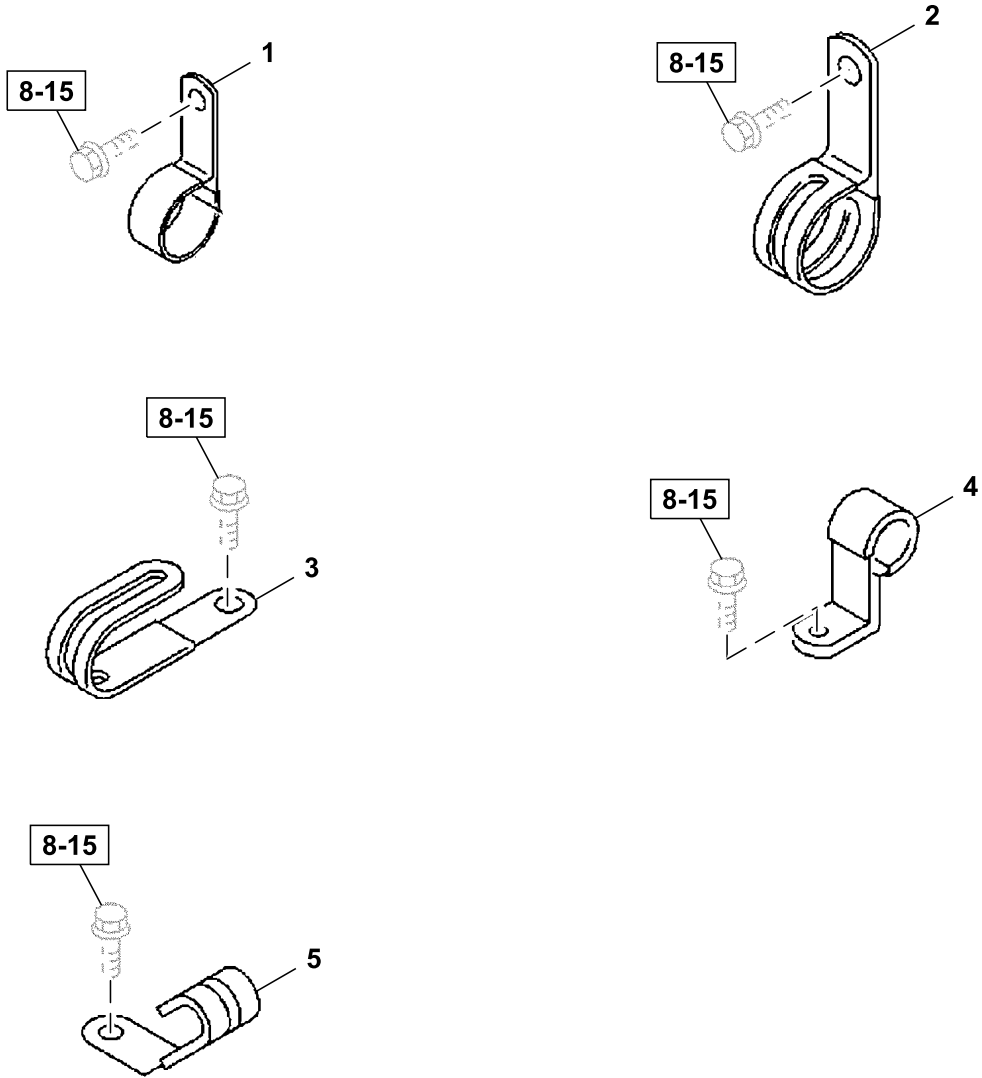


060A0251505_TX1172394

Key	Part No.	Part Name	Qty.	Serial No.	Remarks
1	0952358960	Clip	1		
2	8973679851	Clip	2		
3	0952355360	Clip	1		SUB FOR 8973679850
4	1097012360	Clip	2		
5	1097012610	Clip	1		
6	1826992390	Bracket	1		
7	1474766580	Bracket	2		
8	1474781130	Bracket	1		
9	8982373590	Bracket	1		
10	8982373600	Bracket	1		
11	8982390810	Bracket	1		

0-60 Engine Electrical Control Hardware

TX1172395 A.1

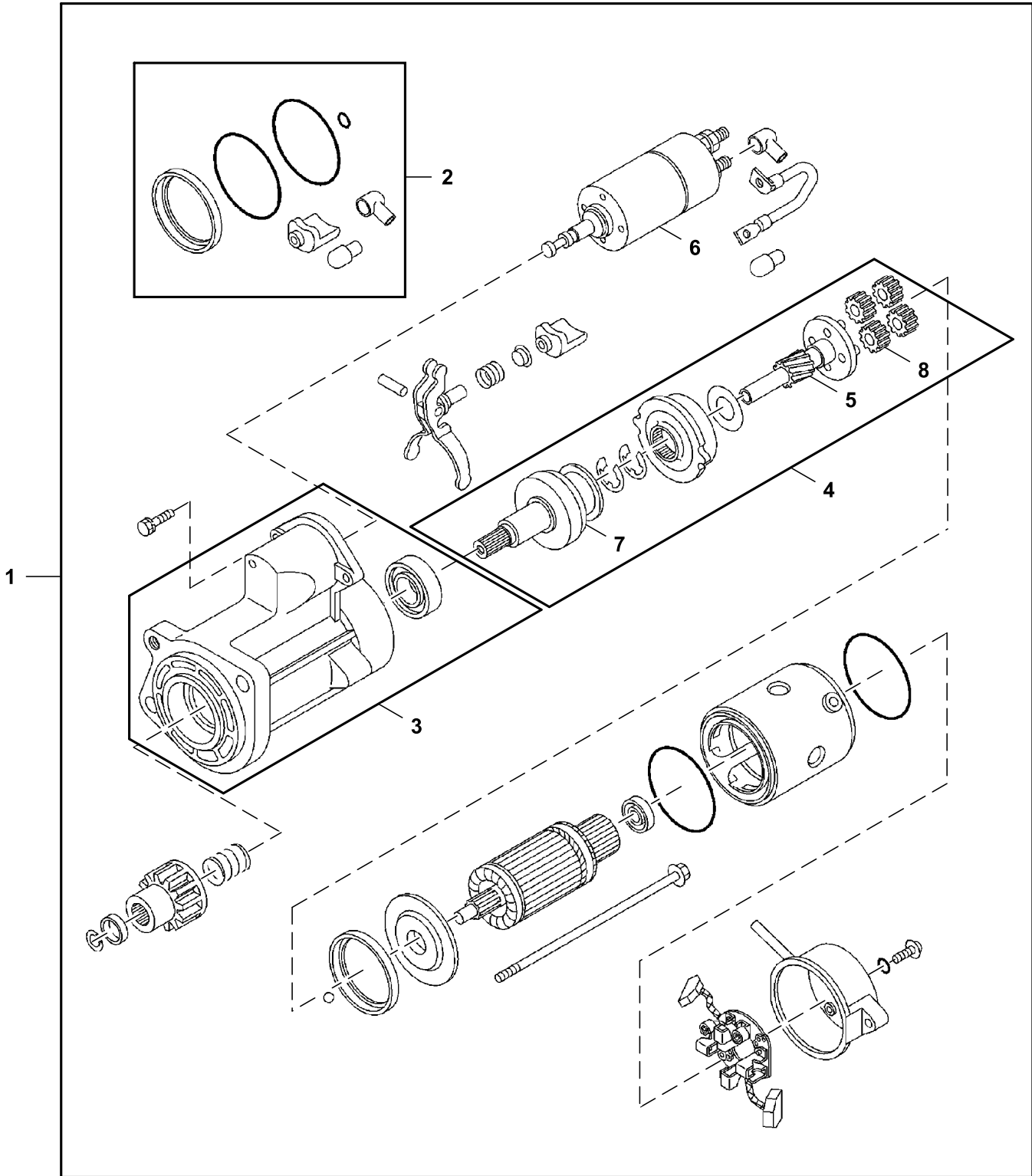


060A0351505_TX1172395

Key	Part No.	Part Name	Qty.	Serial No.	Remarks
1	0952348950	Clip	1		ID=9 L=60
	0952355360	Clip	1		ID=16 L=20
	0952358560	Clip	1		ID=19 L=28, SUB FOR 9095258560
2	0952358960	Clip	1		ID=19 L=60
	1097007661	Clip	1		ID=24 L=32, SUB FOR 1097009660
	1097012360	Clip	1		ID=26 L=26
3	1097006071	Clip	1		ID=28 L=30
	1097012610	Clip	1		ID=28 L=40
	8973679851	Clip	1		ID=18 L=44, SUB FOR 8973679850
4	1097009911	Clip	1		ID=21 L=30 H=40, SUB FOR 1097009910
	8976155680	Clip	1		ID=35 H=45 L=33
5	8973679841	Clip	4		ID=12, SUB FOR FYA00009341

0-65 Starter Components

TX1172396 A.1

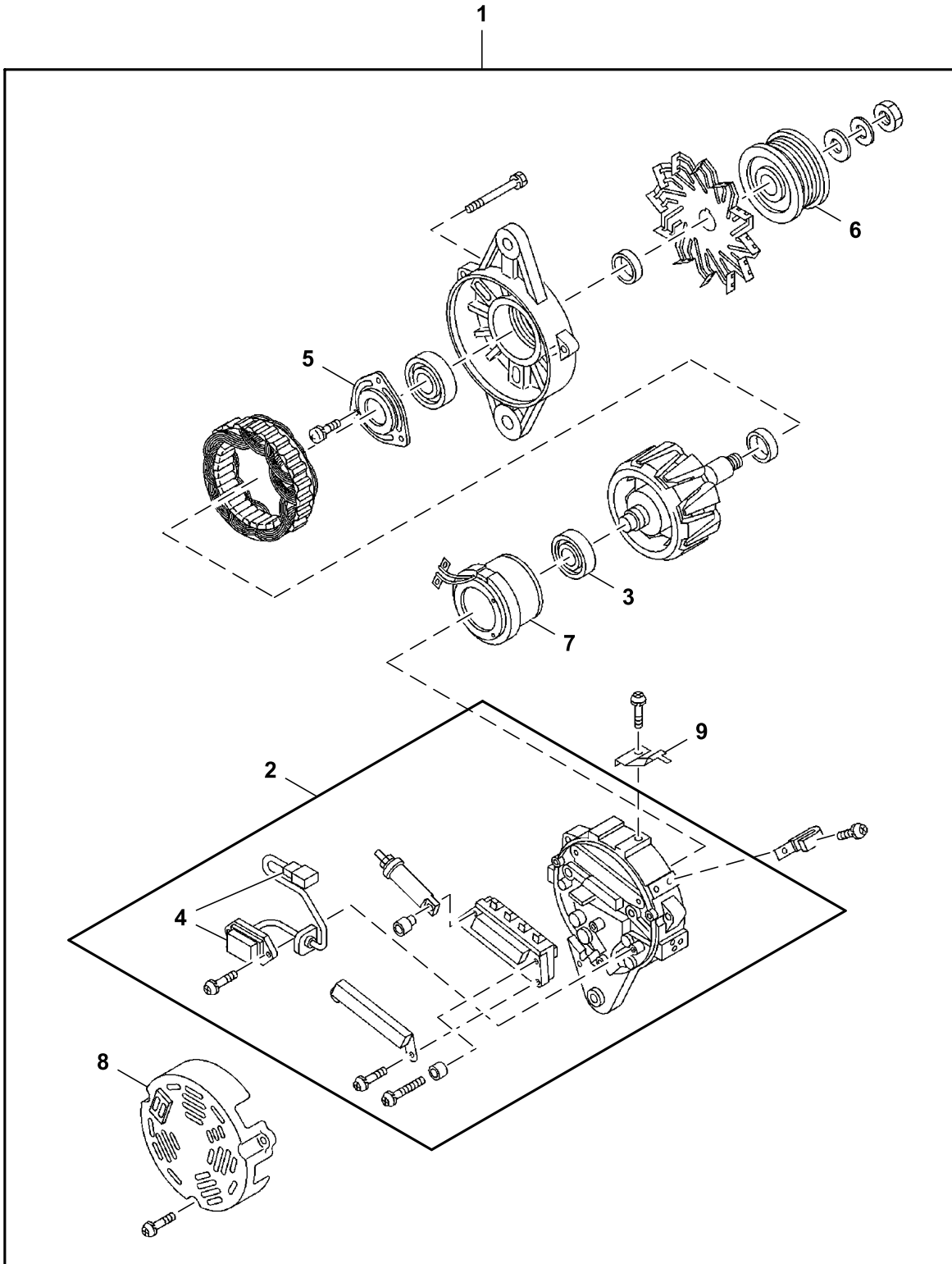


065A0151505_TX1172396

Key	Part No.	Part Name	Qty.	Serial No.	Remarks
1	8980703211	Starter Motor	1		24 V ? 5.0 KW
2	8980171480	Seal Kit	1		Starter
3	8980739300	Housing	1		
4	8980703240	Clutch	1		
5	8980703260	Shaft	1		
6	8980171450	Solenoid	1		Engage Starter
7	8980703250	Clutch	1		
8	8980540640	Gear	4		

0-66 Alternator Components

TX1172397 A.1

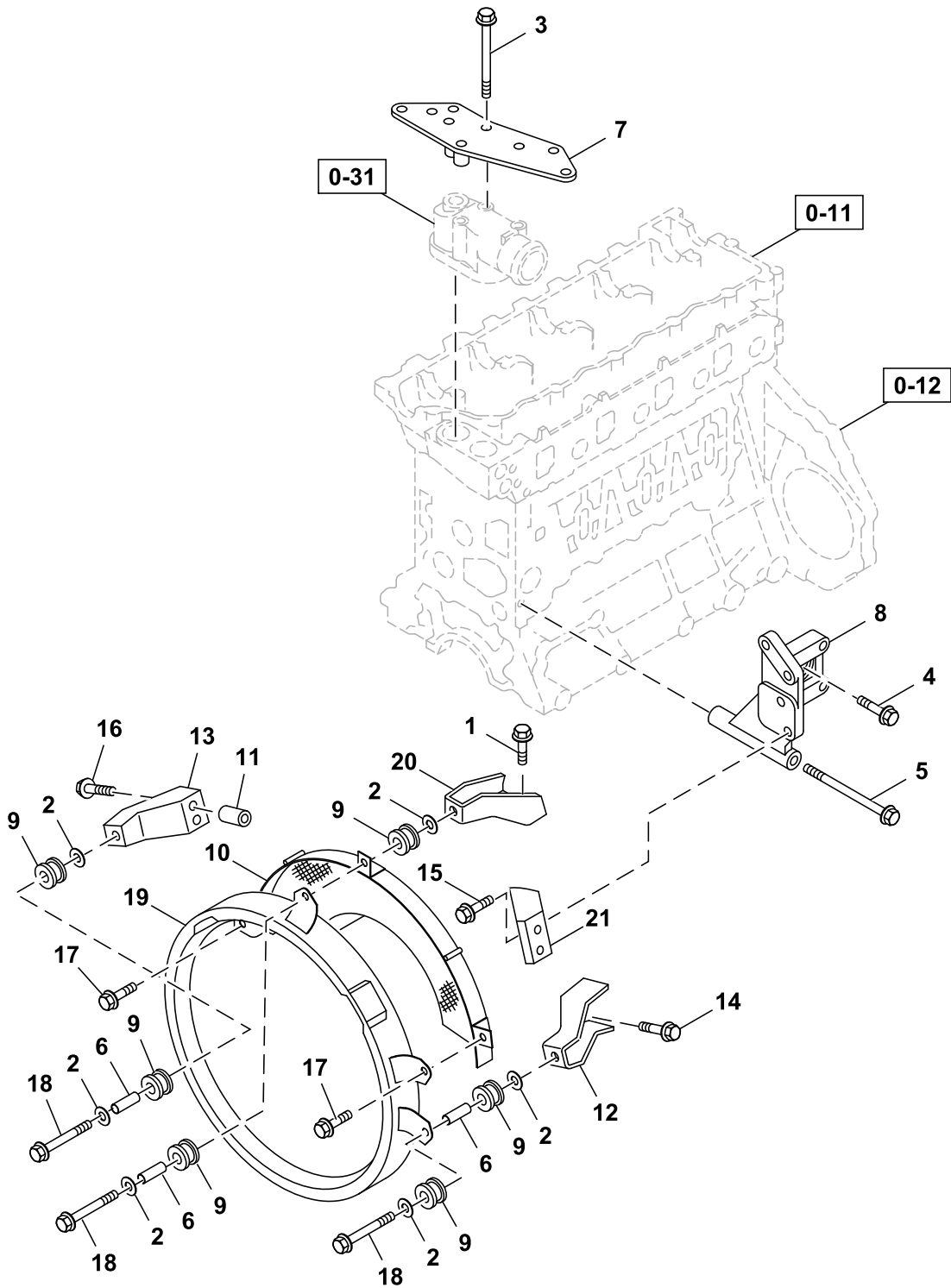


066A0151505_TX1172397

Key	Part No.	Part Name	Qty.	Serial No.	Remarks
1	8980921162	Alternator	1		24 V ? 50 A; SUB FOR 8980921161
2	8981318050	Cover	1		
3	1812297230	Bearing	1		
4	8980923990	Regulator	1		Voltage
5	1812297601	Retainer	1		SUB FOR 8973829730
6	8973828730	Pulley	1		
7	8980362950	Coil Kit	1		
8	8973828821	Cover	1		
9	8970290590	Holder	1		

1-10 Fan Shroud

TX1190160 B.1

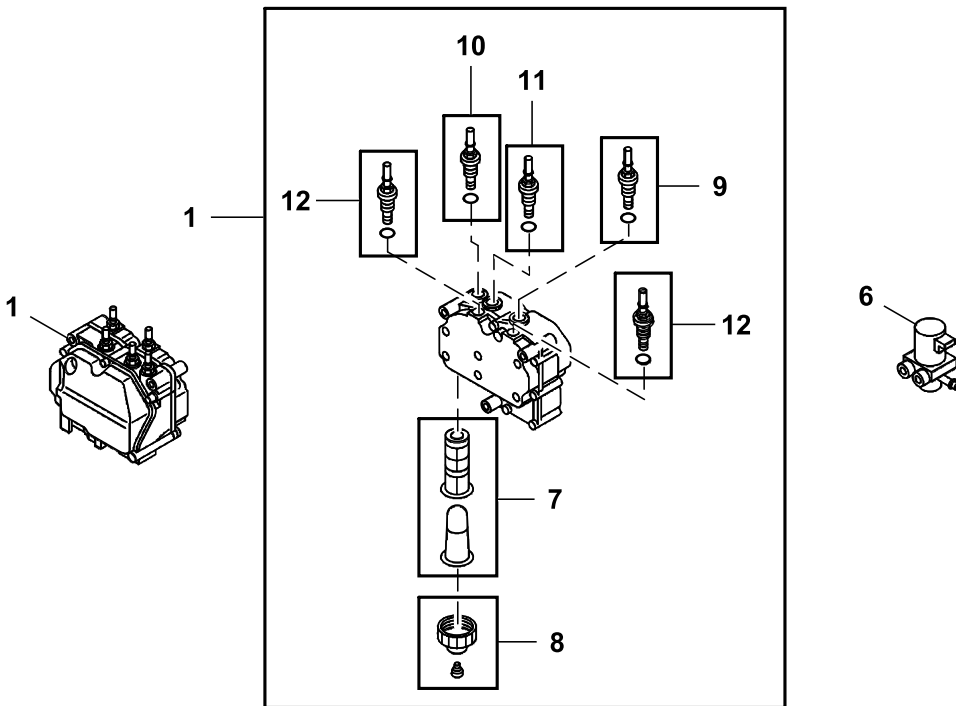
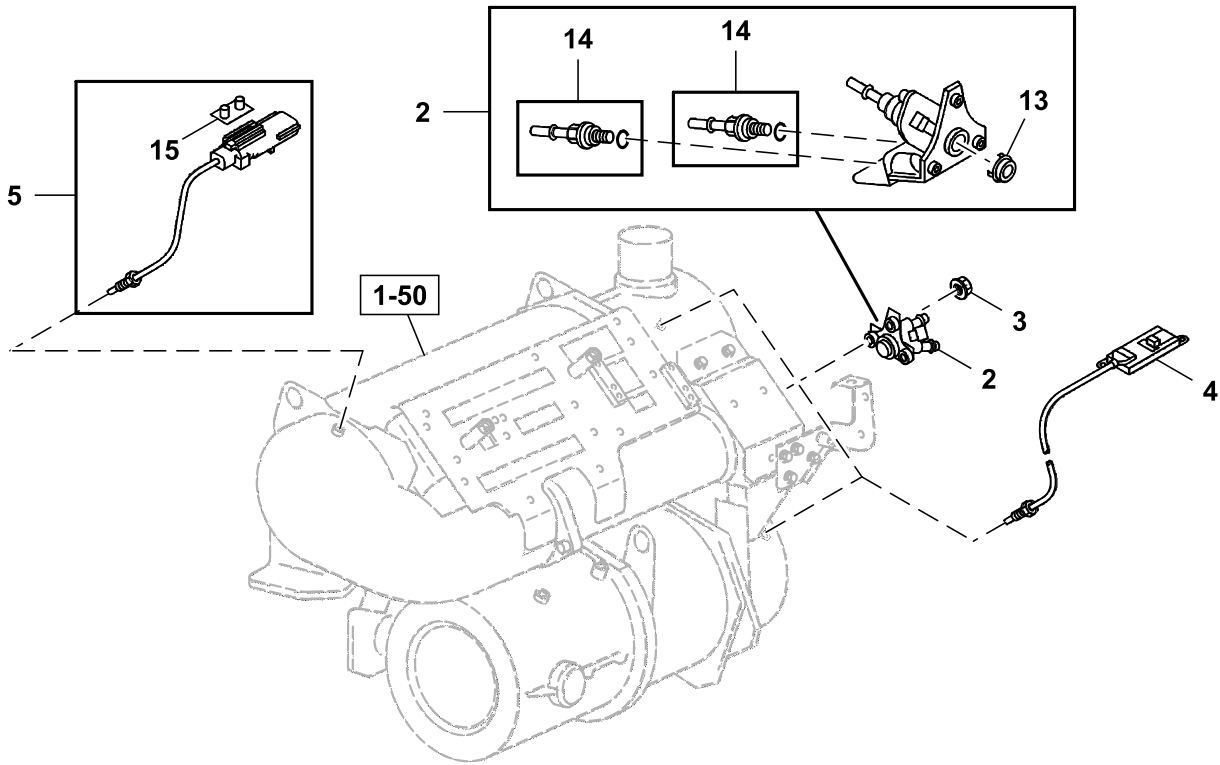


110A0351505_TX1190160

Key	Part No.	Part Name	Qty.	Serial No.	Remarks
1	0286510250	Bolt	2		M10X25
2	0916147100	Washer	6		
3	0280558110	Bolt	4		M8X110
4	0280508600	Bolt	1		M8X60
5	0281560130	Bolt	1		M10X130
6	8982266410	Spacer	3		
7	8983578410	Bracket	1		SUB FOR 8973716540
8	8981744730	Bracket	1		
9	8981821551	Guide	6		
10	8980120093	Shield	1		Fan
11	9512496040	Spacer	2		OD=19
12	8981744720	Bracket	1		
13	8973759110	Bracket	1		
14	0280510200	Bolt	2		M10X20
15	0286510200	Bolt	2		M10X20
16	0280510350	Bolt	2		M10X35
17	0280510200	Bolt	2		M10X20
18	0280510500	Bolt	3		M10X50
19	8982024750	Shroud	1		Fan
20	8981744720	Bracket	1		
21	1215594510	Bracket	1		

1-46 Diesel Exhaust Fluid (DEF) Supply Module and Dosing Injector

TX1172399 B.1



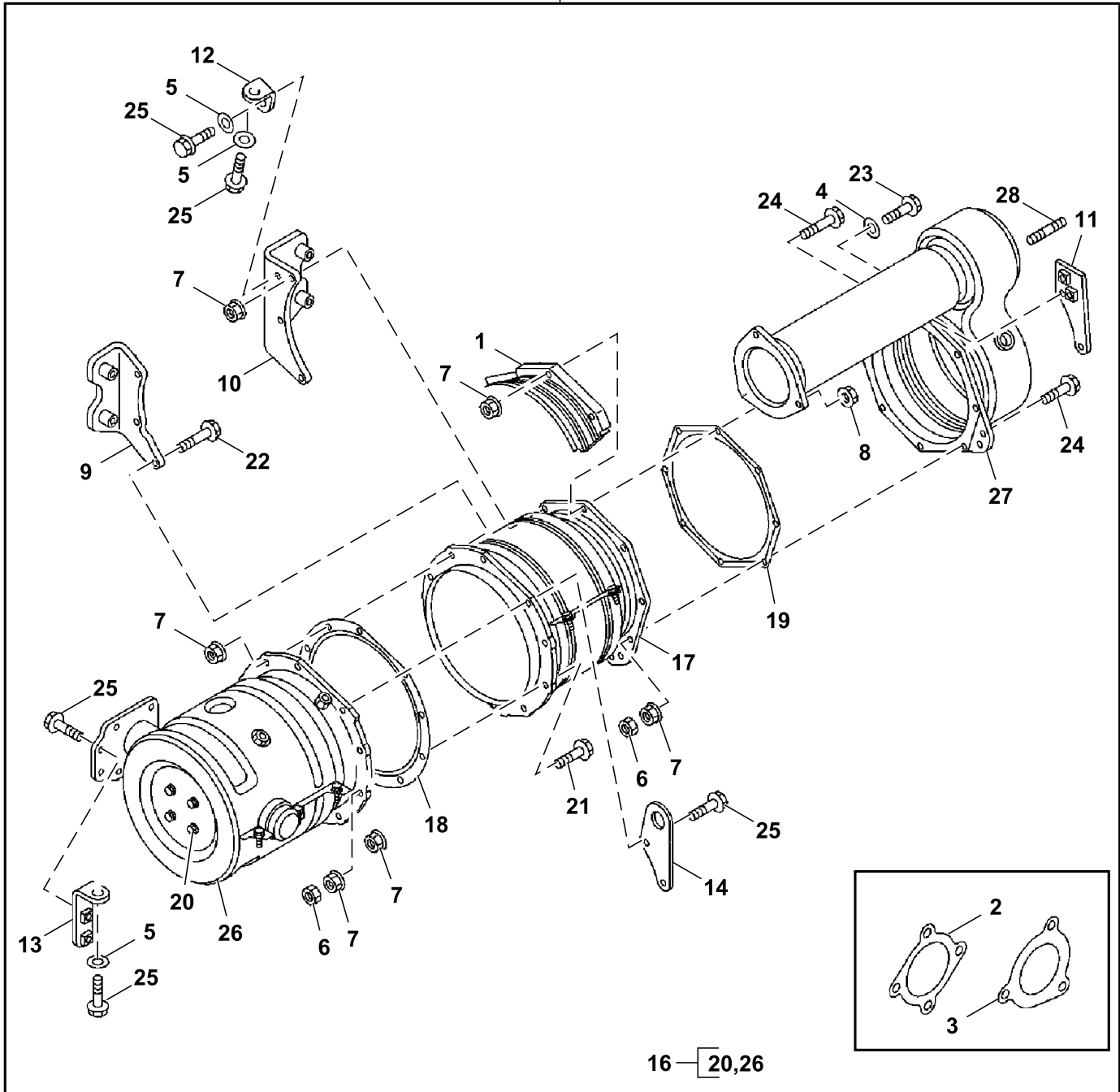
146A0151505_TX1172399

Key	Part No.	Part Name	Qty.	Serial No.	Remarks
1	8982264732	Module	1		SUB FOR 8982264731, Diesel Exhaust Fluid (DEF) Supply Module
2	8982318982	Module	1		Diesel Exhaust Fluid (DEF) Dosing Injector, SUB FOR 8982318980 AND 8982318981
3	14M7303	Flange Nut	3		M6, SUB FOR 0911801060
4	8983023940	Sensor	2		SUB FOR 8982369200, Nox
5	8980863290	Sensor	1		Temperature Sensor
6	8976289561	Valve	1		Diesel Exhaust Fluid (DEF) Heating Valve
7	8983507160	Filter Kit	1		SUB FOR 8981694030
8	8981694080	Cover Kit	1		
9	8981694090	Fitting	1		Inlet Pump
10	8981694110	Fitting	1		Outlet Pump
11	8982688130	Fitting	1		SUB FOR 8981694120, Return Pump
12	8981694141	Fitting	2		Coolant Pump
13	8980863330	Gasket	1		
14	8981694161	Fitting	2		
15	8981703310	Clip	1		

1-50 Diesel Oxidation Catalyst (DOC) and Aftertreatment

TX1190158 A.1

15

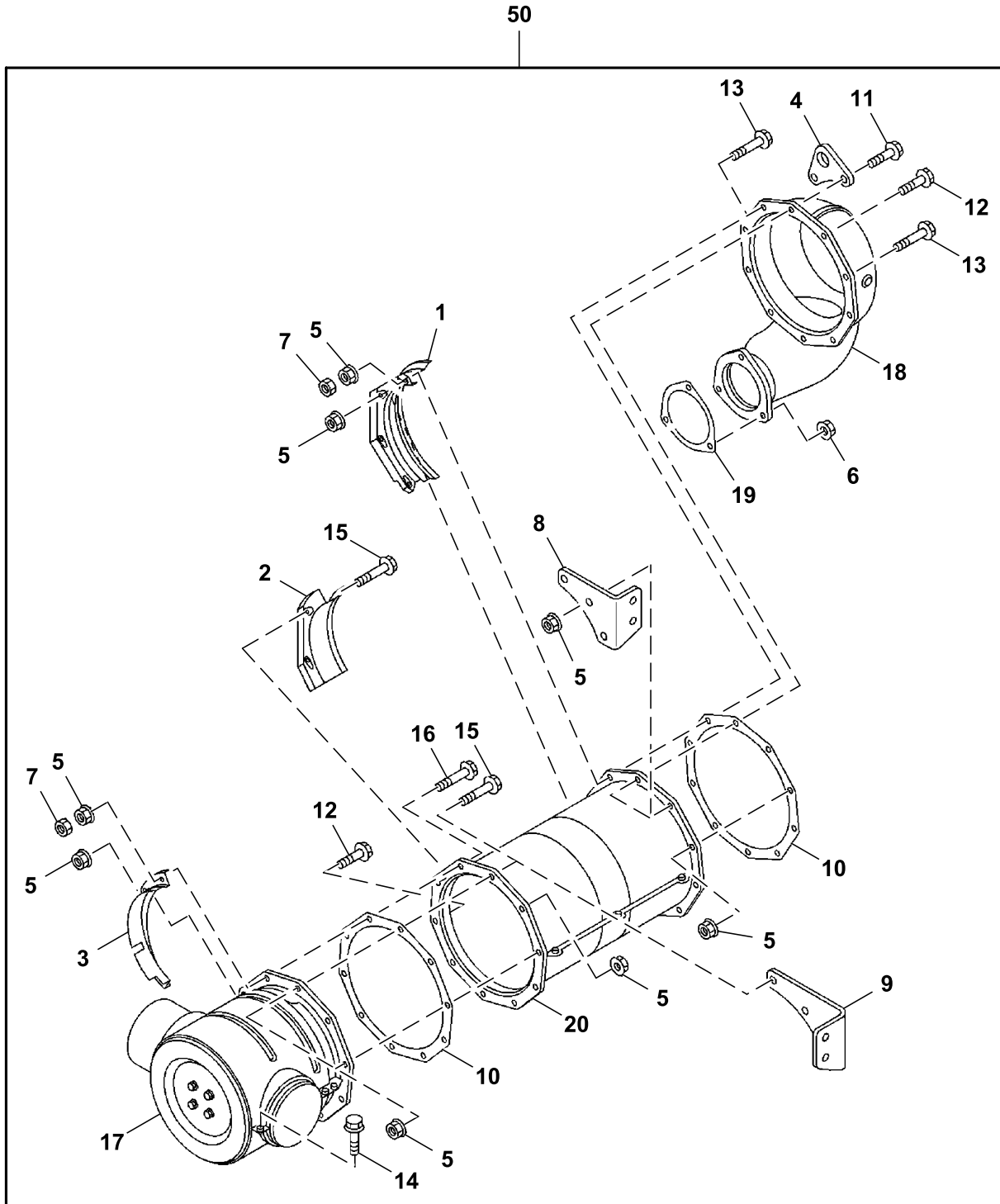


150A0151505_TX1190158

Key	Part No.	Part Name	Qty.	Serial No.	Remarks
1	8982683430	Shield	1		
2	8943925532	Gasket	1		
3	4664929	Gasket	1		SUB FOR 8973767580
4	0916146080	Washer	1		
5	0916147100	Washer	3		
6	14M7273	Nut	4		M8, SUB FOR 0911105080
7	14M7298	Flange Nut	28		M8, SUB FOR 8970614011
8	8970961921	Nut	3		
9	8982373630	Bracket	1		
10	8982373650	Bracket	1		
11	8982373890	Bracket	1		
12	8982377310	Bracket	1		
13	8982377330	Bracket	1		
14	8982378250	Bracket	1		
15	Catalytic Muffler	1		8982682312 NLA, Furnish Components, Additional Components On Separate Page
16	8982705480	Diesel Oxidation Catalyst	1		DOC
17	8982389240	Filter	1		
18	8976110800	Gasket	1		
19	8976282570	Gasket	3		
20	0280506120	Bolt	4		
21	0280608350	Bolt	7		
22	0280608450	Bolt	3		
23	0109608350	Bolt	1		
24	0280608450	Bolt	5		
25	0280610350	Bolt	7		
26	8981525131	Shield	1		
27	8982705440	Muffler	1		
28	8981413510	Stud	3		

1-50 Selective Catalytic Reduction (SCR)

TX1172401 C.2

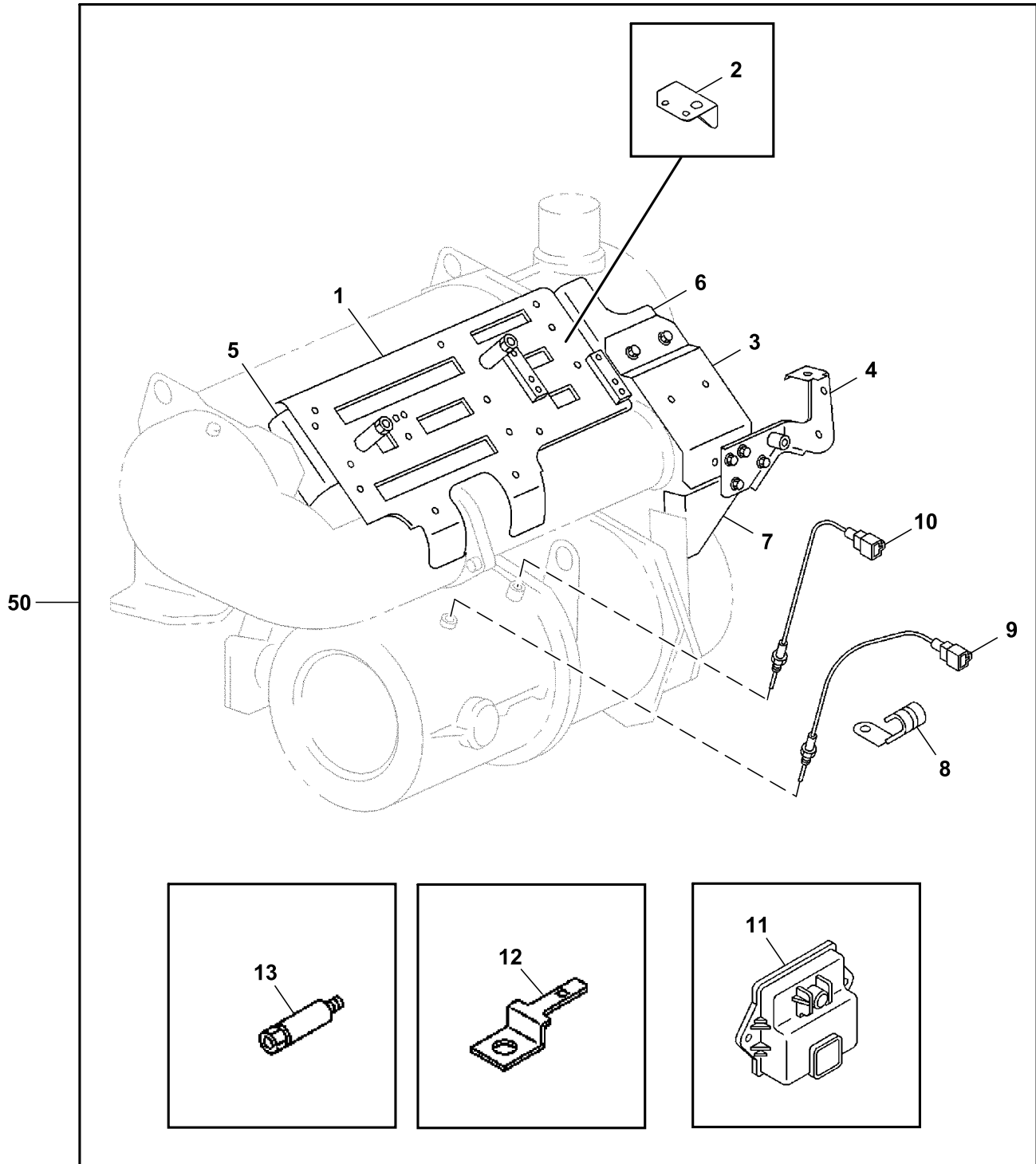


150A0251505_TX1172401

Key	Part No.	Part Name	Qty.	Serial No.	Remarks
1	8982683440	Shield	1		
2	8982683450	Shield	1		
3	8982683460	Shield	1		
4	8982705810	Hanger	2		
5	14M7273	Nut	8		M8, SUB FOR 0911105080 AND 9091105080
6	8970961921	Nut	3		SUB FOR 8970961920
7	14M7298	Flange Nut	4		M8, SUB FOR 8970614011
8	8982373660	Bracket	1		
9	8982373670	Bracket	1		
10	8976282570	Gasket	3		
11	0280608450	Bolt	3		SUB FOR 0280908450
12	0280608500	Bolt	4		
13	0280610350	Bolt	7		
14	8980191790	Bolt	1		
15	0280608500	Bolt	2		
16	0280608400	Bolt	1		
17	8982704931	Muffler	1		SUB FOR 8982704930
18	8982705450	Muffler	1		
19	8981184221	Gasket	1		
20	8982705500	Catalytic Muffler	1		
50	Catalytic Muffler	1		8982682312 NLA, Furnish Components, Additional Components On Separate Page

1-50 Exhaust System Bracket and Sensors

TX1190139 B.2

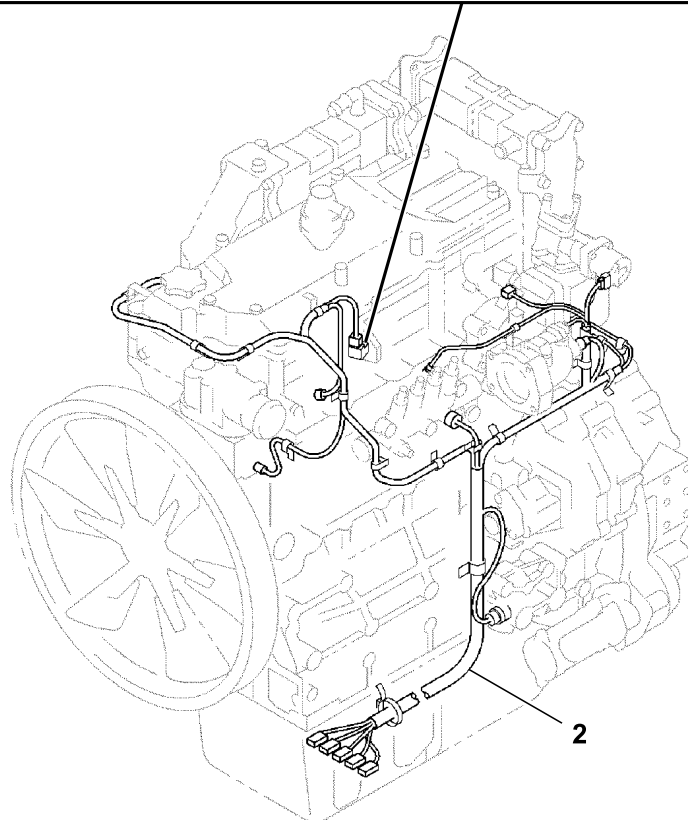
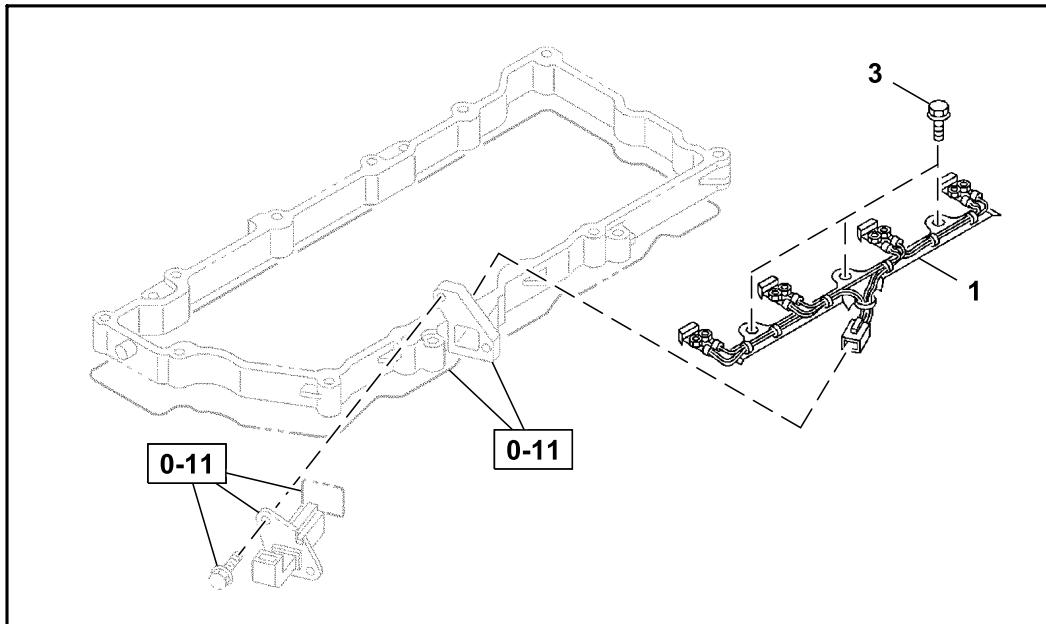


150A0551505_TX1190139

Key	Part No.	Part Name	Qty.	Serial No.	Remarks
1	8983055661	Bracket	1		SUB FOR 8982373771, 8983055660, 8982373772 AND 8982373773, ALSO ORDER 8983055680
	8983055680	Spacer	1		
2	8982373820	Bracket	1		SUB FOR FYA00034766
3	8982373833	Bracket	1		SUB FOR 8982373830, 8982373831 OR 8982373832
4	8982824391	Bracket	1		SUB FOR 8982824390 AND 8982373840
5	8982373860	Bracket	1		SUB FOR FYA00034769
6	8982373873	Bracket	1		SUB FOR 8982373871 OR 8982373872
7	8982373882	Bracket	1		SUB FOR 8982373880 OR 8982373881
8	8973679841	Clip	10		
9	FYA00009435	Temperature Sensor	1		SUB FOR 8981783581, Diesel Particulate Diffuser (DPD)
10	FYA00009436	Temperature Sensor	1		SUB FOR 8981867621, Diesel Particulate Diffuser (DPD)
11	8981331241	Control	1		Turbocharger
12	8976028701	Bracket	2		
13	8982521410	Spacer	2		
50	Catalytic Muffler	1		8982682312 NLA, Furnish Components, Additional Components On Separate Page

8-10 Engine Wiring Harness

TX1172403 A.1

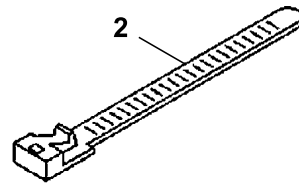
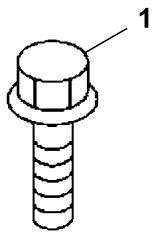


810A0151505_TX1172403

Key	Part No.	Part Name	Qty.	Serial No.	Remarks
1	8973321333	Wiring Harness	1		Injector
2	8983718270	Wiring Harness	1		SUB FOR 8982373583, Engine Wiring Harness
3	8973654490	Bolt	3		SUB FOR 8943998631

8-15 Engine Wiring Harness Mounting Hardware

TX1172404 A.1

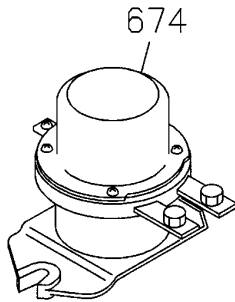


815A0151505_TX1172404

Key	Part No.	Part Name	Qty.	Serial No.	Remarks
1	0280508120	Bolt	6		M8X12
	0280508160	Bolt	9		M8X16
	19M7866	Screw	3		M8 X 20, , SUB FOR 0280508200 AND 0280808200
2	0281510160	Bolt	1		M10X16, SUB FOR 0281810160
	R44302	Tie Band	5		L=140, SUB FOR 5097070311
	H77698	Tie Band	3		L=250, SUB FOR 5097070301

8-25 Battery Relay

825A0151274 A.1



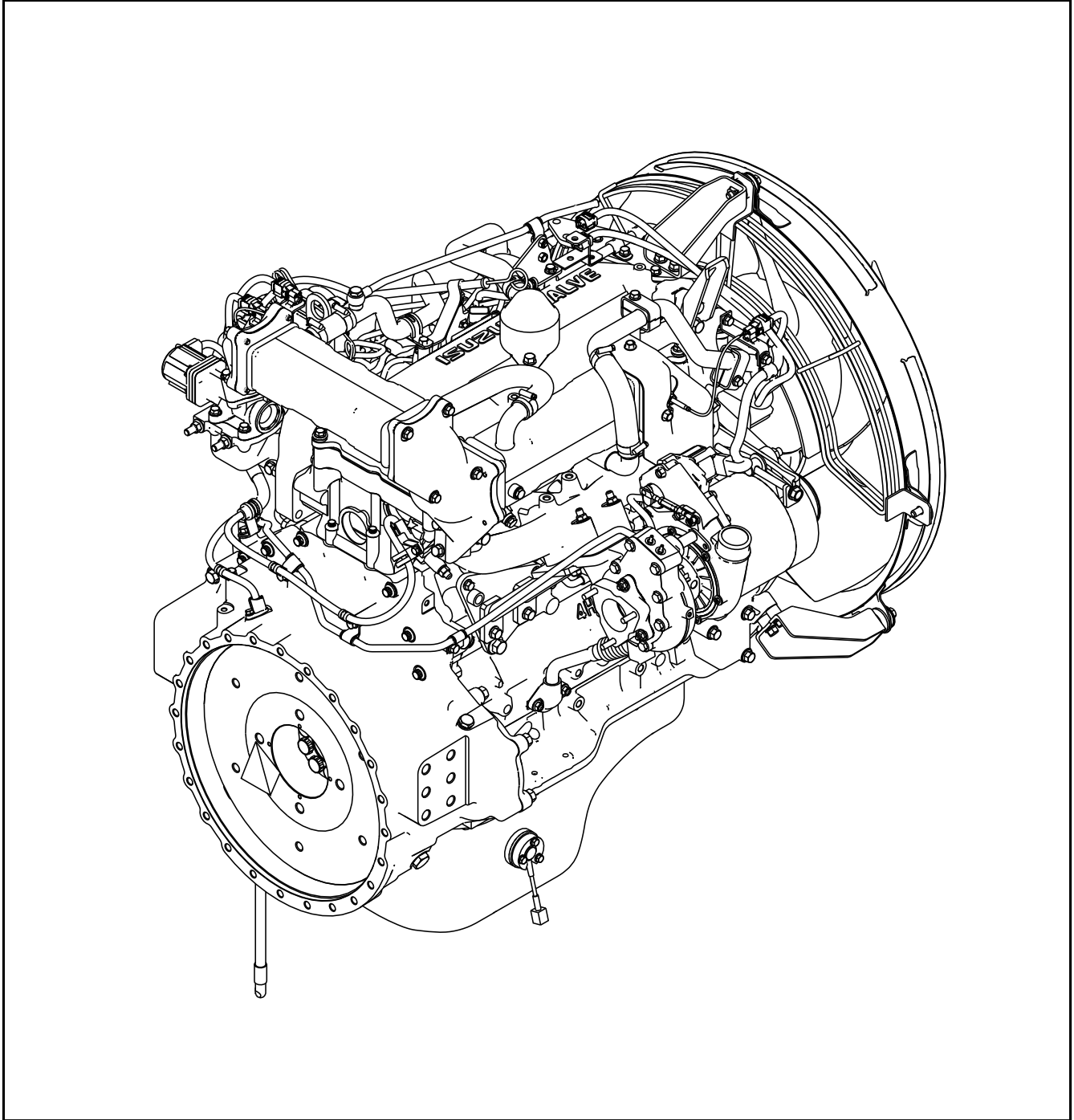
825A0151274

<i>Key</i>	<i>Part No.</i>	<i>Part Name</i>	<i>Qty.</i>	<i>Serial No.</i>	<i>Remarks</i>
674	4255762	Relay	1		SUB FOR 8943795431, Battery

Engine

TX1189850 A.1

1

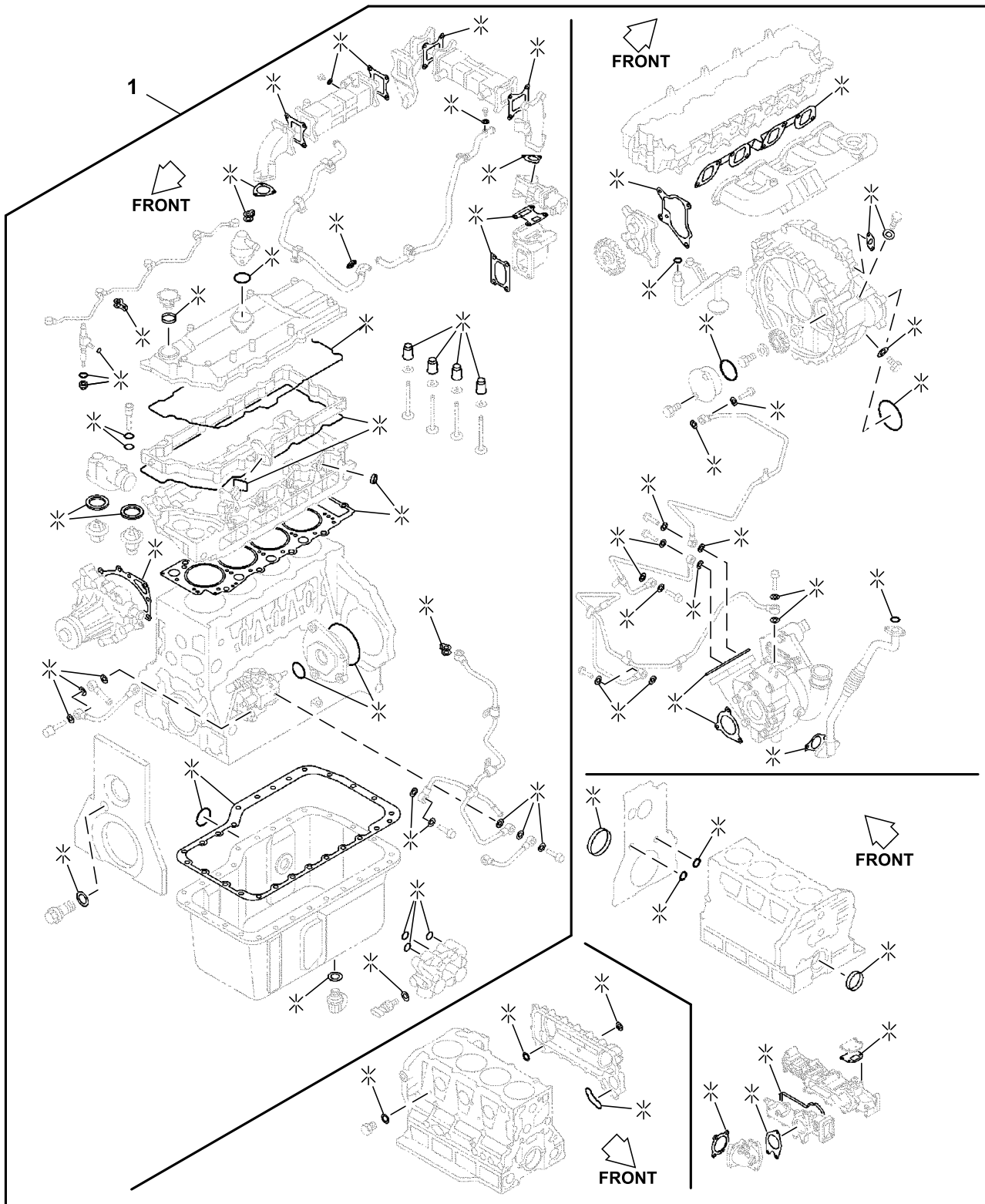


YA00028489_TX1189850

<i>Key</i>	<i>Part No.</i>	<i>Part Name</i>	<i>Qty.</i>	<i>Serial No.</i>	<i>Remarks</i>
1	4HK1XASA12A	Diesel Engine	1		SUB FOR FYA00046929

0-05 Engine Gasket Kit

TX1172918 A.1

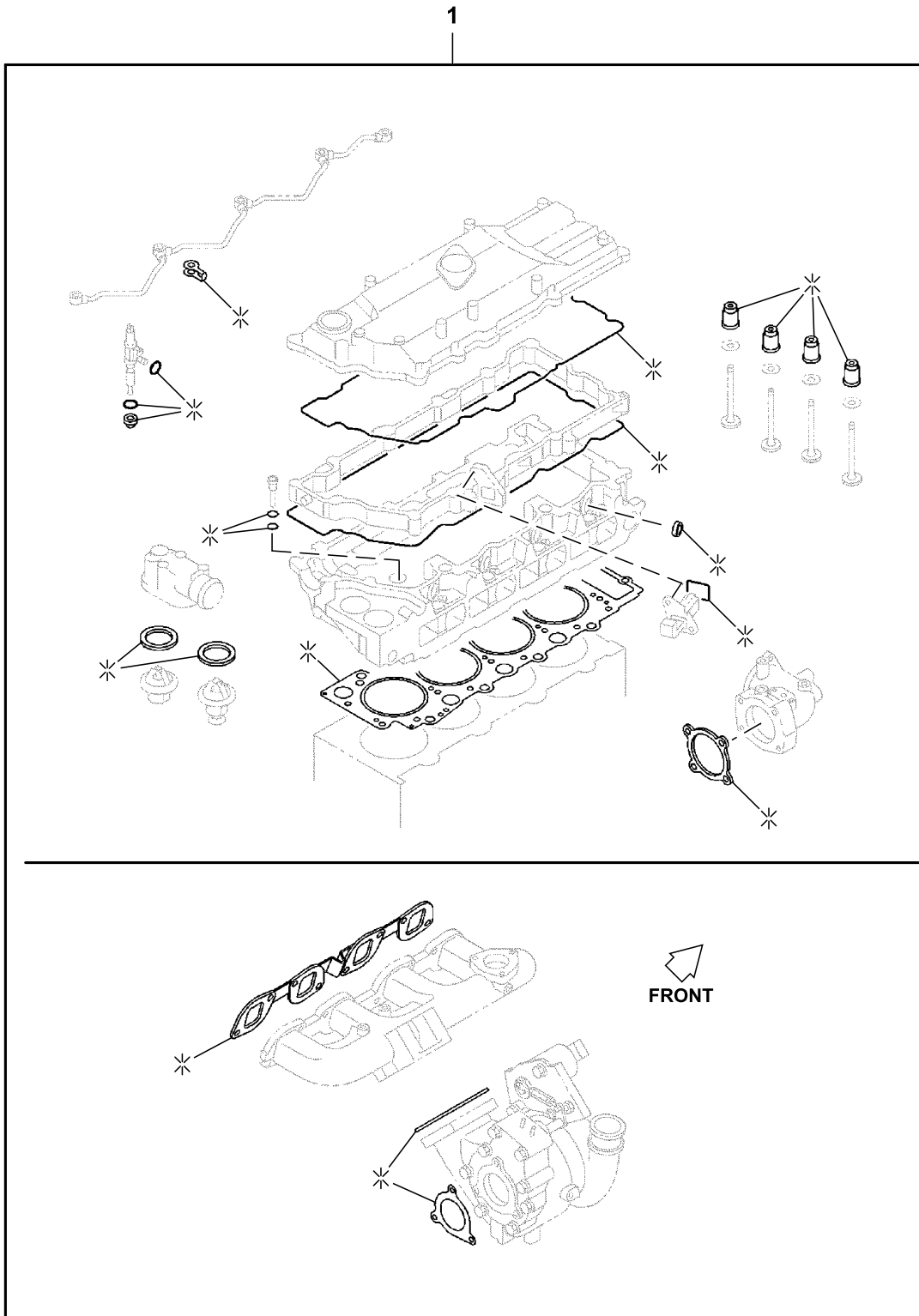


005A0151505_TX1172918

<i>Key</i>	<i>Part No.</i>	<i>Part Name</i>	<i>Qty.</i>	<i>Serial No.</i>	<i>Remarks</i>
1	5878178833	Gasket	1		SUB FOR 5878178832, 5878170090 AND 5878178830

0-05 Engine Head Gasket Kit

TX1172041 A.1

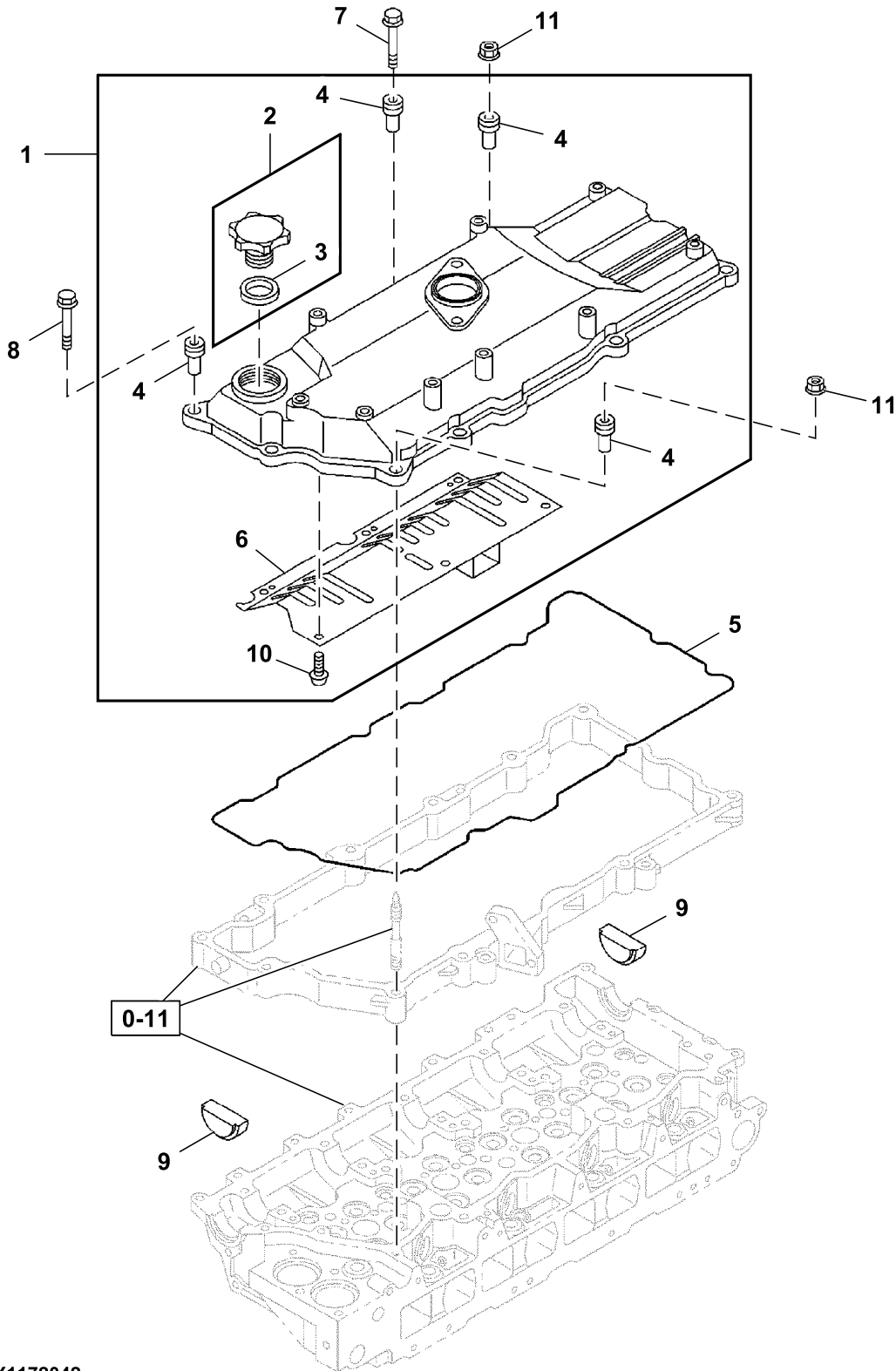


005A0251505_TX1172041

<i>Key</i>	<i>Part No.</i>	<i>Part Name</i>	<i>Qty.</i>	<i>Serial No.</i>	<i>Remarks</i>
1	5878178850	Gasket	1		SUB FOR 5878157041 AND 5878157040

0-10 Engine Cylinder Head Cover

TX1172042 A.1

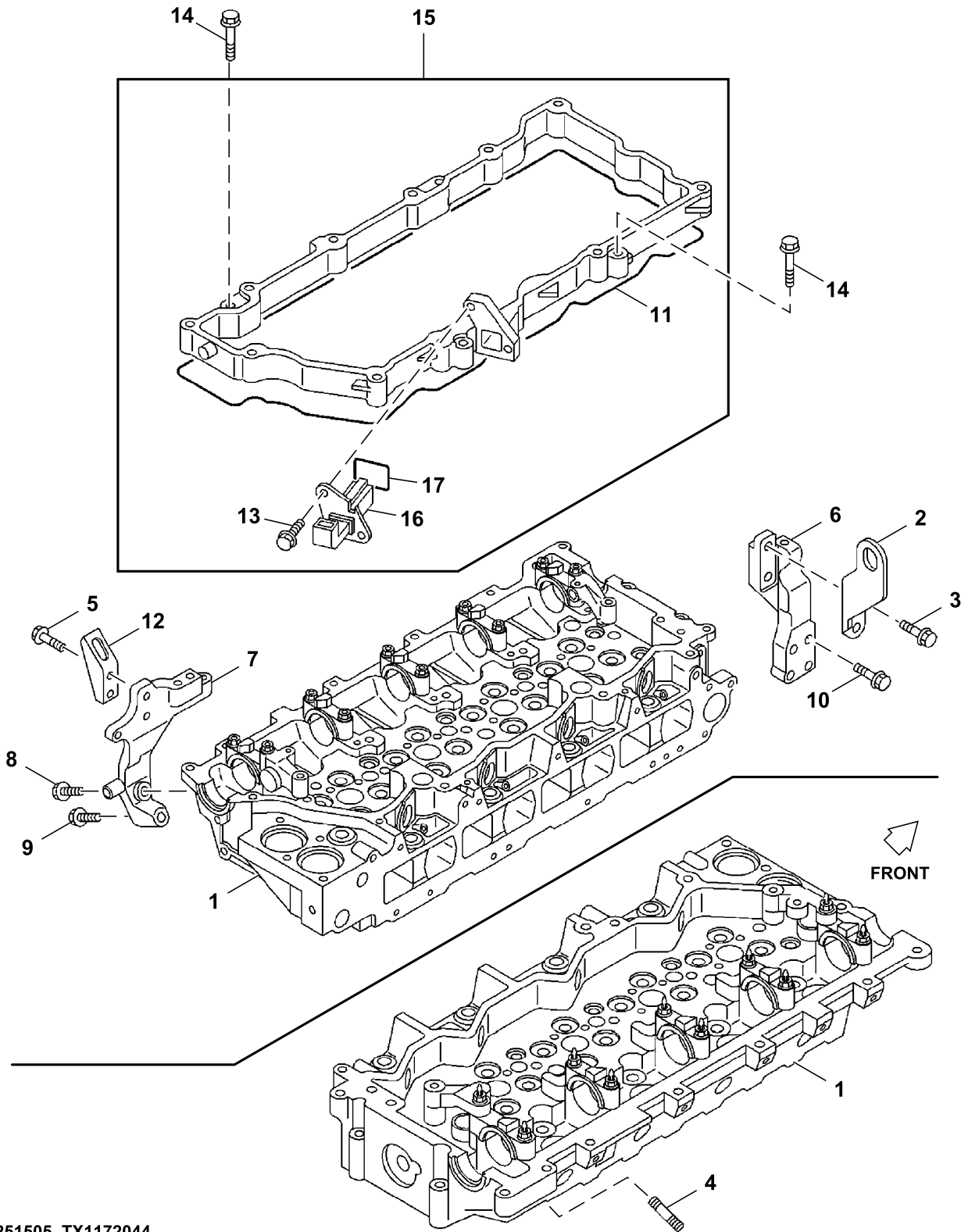


010A0151505_TX1172042

Key	Part No.	Part Name	Qty.	Serial No.	Remarks
1	8973628422	Valve Cover	1		SUB FOR 8973628421, Cylinder Head
2	8943997230	Filler Cap	1		
3	8943996890	O-Ring	1		Also Included In Gasket Kit, Engine
4	8943956840	Isolator	11		
5	8973313591	Gasket	1		SUB FOR 8973313590, Also Included in Gasket Kit, Engine and Head
6	8943926550	Plate	1		
7	0286808350	Bolt	2		M8X35, SUB FOR 0286508350
8	1090440721	Bolt	7		M8X65
9	8981638130	Plug	2		
10	0350504080	Screw	6		M4X8, SUB FOR 0350504080
11	0911801080	Nut	2		M8, SUB FOR 8940120390

0-11 Engine Cylinder Head Support

TX1172044 A.1

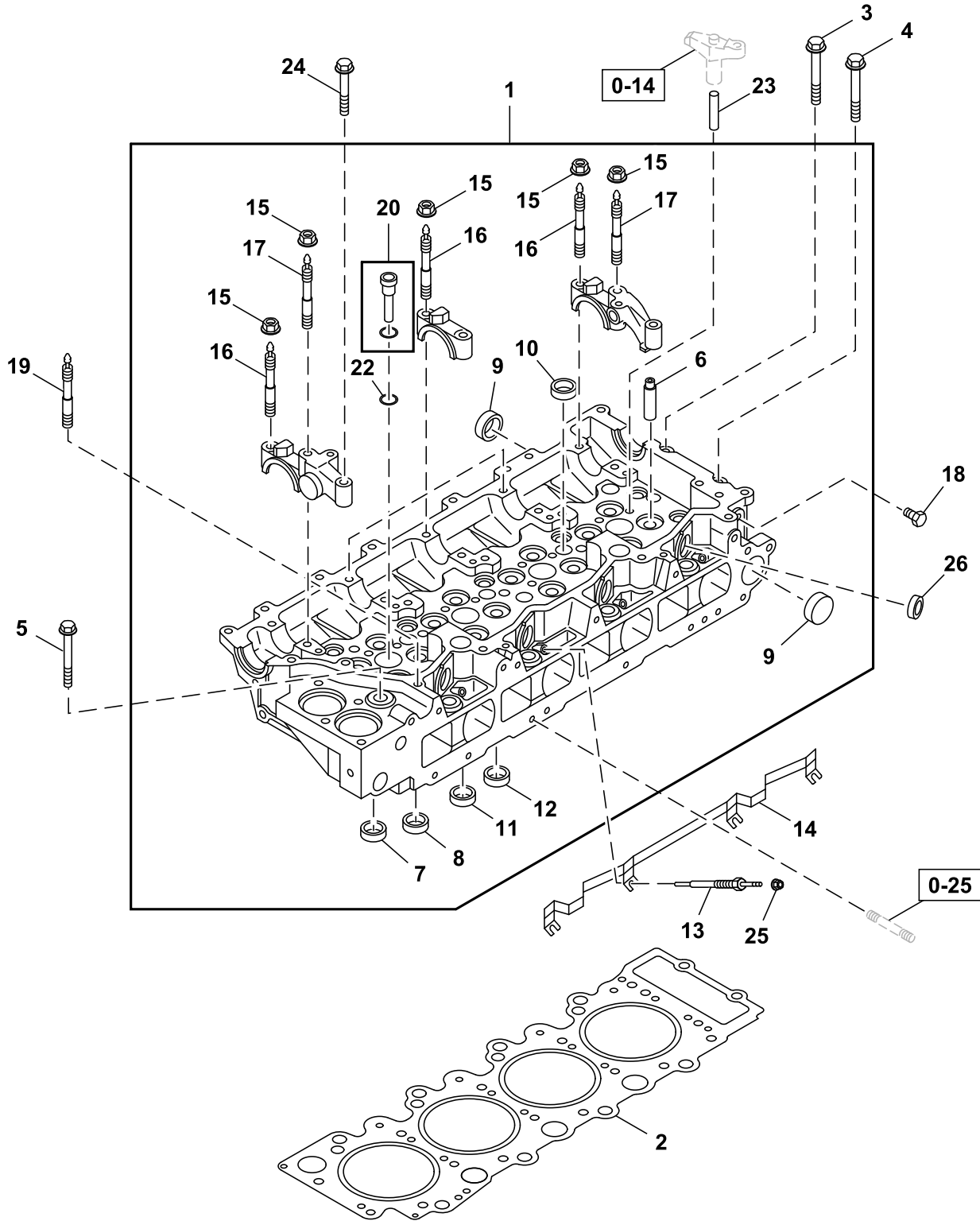


011A0251505_TX1172044

Key	Part No.	Part Name	Qty.	Serial No.	Remarks
1	8981706190	Cylinder Head	1		
2	1117770840	Hanger	1		SUB FOR 9117776121
3	0281510200	Bolt	2		M10X20
4	8943972860	Stud	2		M10X60
5	0281512300	Bolt	2		M12X30
6	8981125582	Bracket	1		SUB FOR 8981125581
7	8981161402	Bracket	1		SUB FOR 8981161401
8	0281510500	Bolt	1		M10X50
9	0281510800	Bolt	1		M10X80, SUB FOR 0168060850
10	0281512500	Bolt	3		M12X50, SUB FOR 0281812500
11	8973313601	Gasket	1		SUB FOR 8973313600, Also Included in Gasket Kit, Engine and Head
12	1117771231	Hanger	1		SUB FOR 1117770870
13	0280508160	Bolt	2		M8X12, SUB FOR 0280508120
14	0280508450	Bolt	4		M8X45
15	8973313621	Case	1		SUB FOR 8973313620
16	8943908581	Fitting	1		SUB FOR 8943908580
17	8943913100	Gasket	1		Also Included in Gasket Kit, Engine and Head

0-11 Engine Cylinder Head

TX1172043 B.1

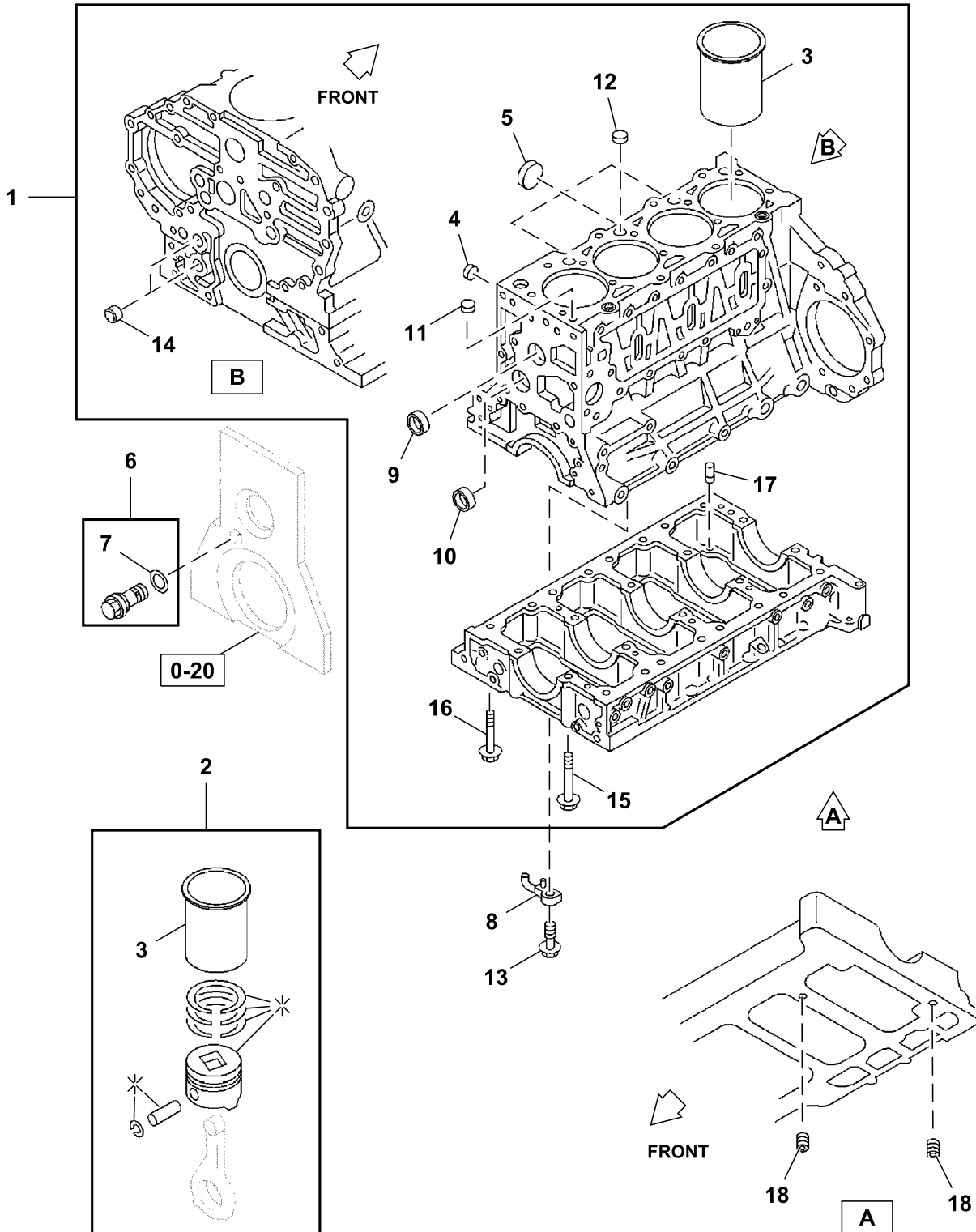


011A0151505_TX1172043

Key	Part No.	Part Name	Qty.	Serial No.	Remarks
1	8981706190	Cylinder Head	1		
2	8981142560	Engine Cylinder Head Gasket	1		Also Included in Gasket Kit, Engine and Head
3	8943995540	Bolt	1		M10X73
4	8943995550	Bolt	1		M10X43
5	8982600050	Bolt	18		M14X115
6	8973767192	Guide	16		SUB FOR 8973767191
7	8980288740	Valve Seat	8		SUB FOR 8976062470, Inlet
8	8980288750	Valve Seat	8		SUB FOR 8972165110, Exhaust
9	8970968210	Seal	5		
10	1096000160	Plug	4		
11	9111291280	Seal	7		
12	5111290060	Seal	5		
13	8943907773	Plug	4		SUB FOR 8913907775 OR 8943907776
14	8973323582	Elec. Connector Accessory	1		
15	14M7298	Flange Nut	10		M8, SUB FOR 0911802080 AND 4447338
16	8943225132	Stud	8		M8X41
17	8943225122	Stud	2		M8X54
18	8980034160	Plug	1		M8X10, SUB FOR 8943994210
19	0491408600	Stud	2		M8X60, SUB FOR 0497408600
20	8980184620	Sleeve	4		SUB FOR 8976066610, Also Included in Gasket Kit, Engine and Head
22	8976049160	Gasket	4		SUB FOR 1096233550, Also Included in Gasket Kit, Engine and Head
23	8973816031	Guide	8		
24	0280808350	Bolt	2		M8X35, SUB FOR 0280508350
25	8973688530	Nut	4		M4
26	1096390340	Gasket	4		Also Included in Gasket Kit, Engine and Head

0-12 Engine Cylinder Block

TX1172045 B.1

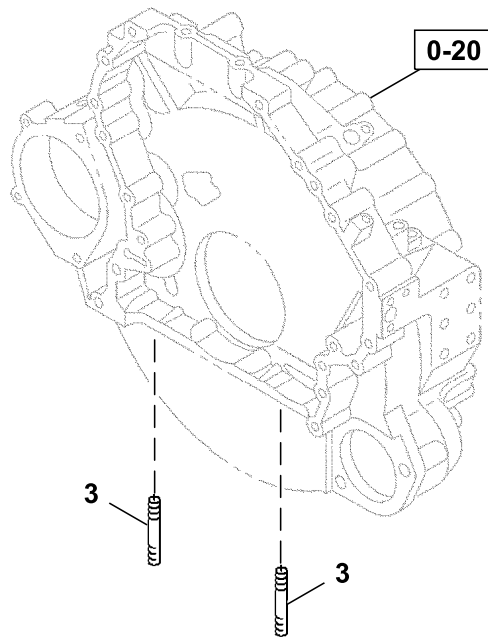
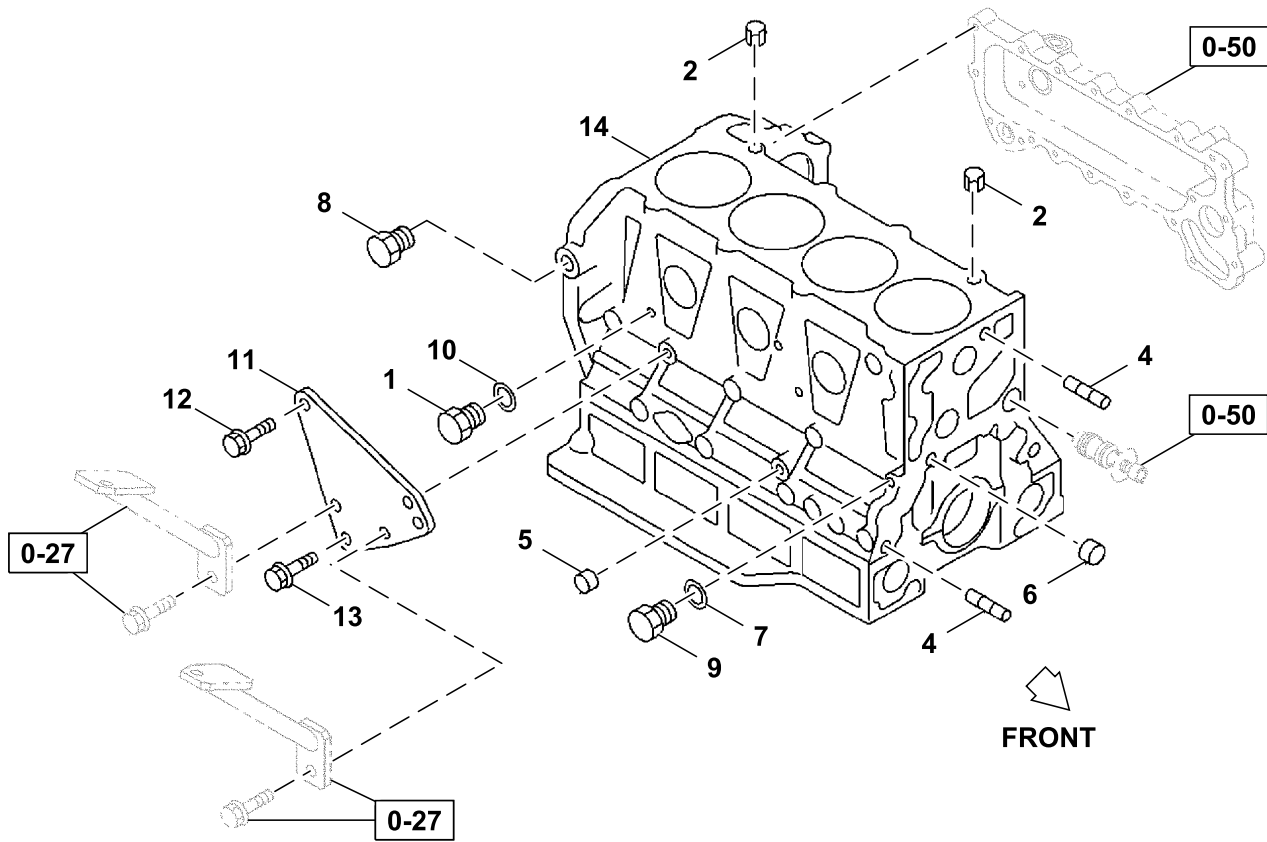


012A0151505_TX1172045

Key	Part No.	Part Name	Qty.	Serial No.	Remarks
1	8982045290	Cylinder Block	1		
2	1878142051	Cylinder Kit	4		OD GRADE = 1X, SUB FOR 5878170070
	1878142061	Cylinder Kit	4		OD GRADE = 3X, SUB FOR 5878170080
3	8980140461	Cylinder Liner	4		OD GRADE = 1X, SUB FOR 8980140460, Also Included In Liner Set
	8980140471	Cylinder Liner	4		OD GRADE = 3X, Also Included In Liner Set
4	1096000160	Plug	1		
5	8970365501	Bearing Cup	3		SUB FOR 8973514510
6	8973288590	Pressure Relief Valve	1		SUB FOR 8943860471, Oil Relief
7	8941734120	Gasket	1		Also Included In Gasket Kit, Engine
8	8981733420	Jet	4		Piston Cooling Oil
9	1096000160	Plug	1		
10	8970968240	Plug	4		
11	5111290060	Seal	1		
12	8972096090	Seal	3		
13	8973296180	Flow Control Hyd. Valve	4		SUB FOR 1131610120, Oil Check
14	8980915660	Bushing	2		
15	8970776380	Bolt	10		M14X115
16	8943995532	Bolt	17		M10X82
17	8971354230	Pin Fastener	2		SUB FOR 8944836740
18	5096050050	Pipe Plug	2		SUB FOR AT254825

0-12 Engine Cylinder Block and Support

TX1172046 A.1

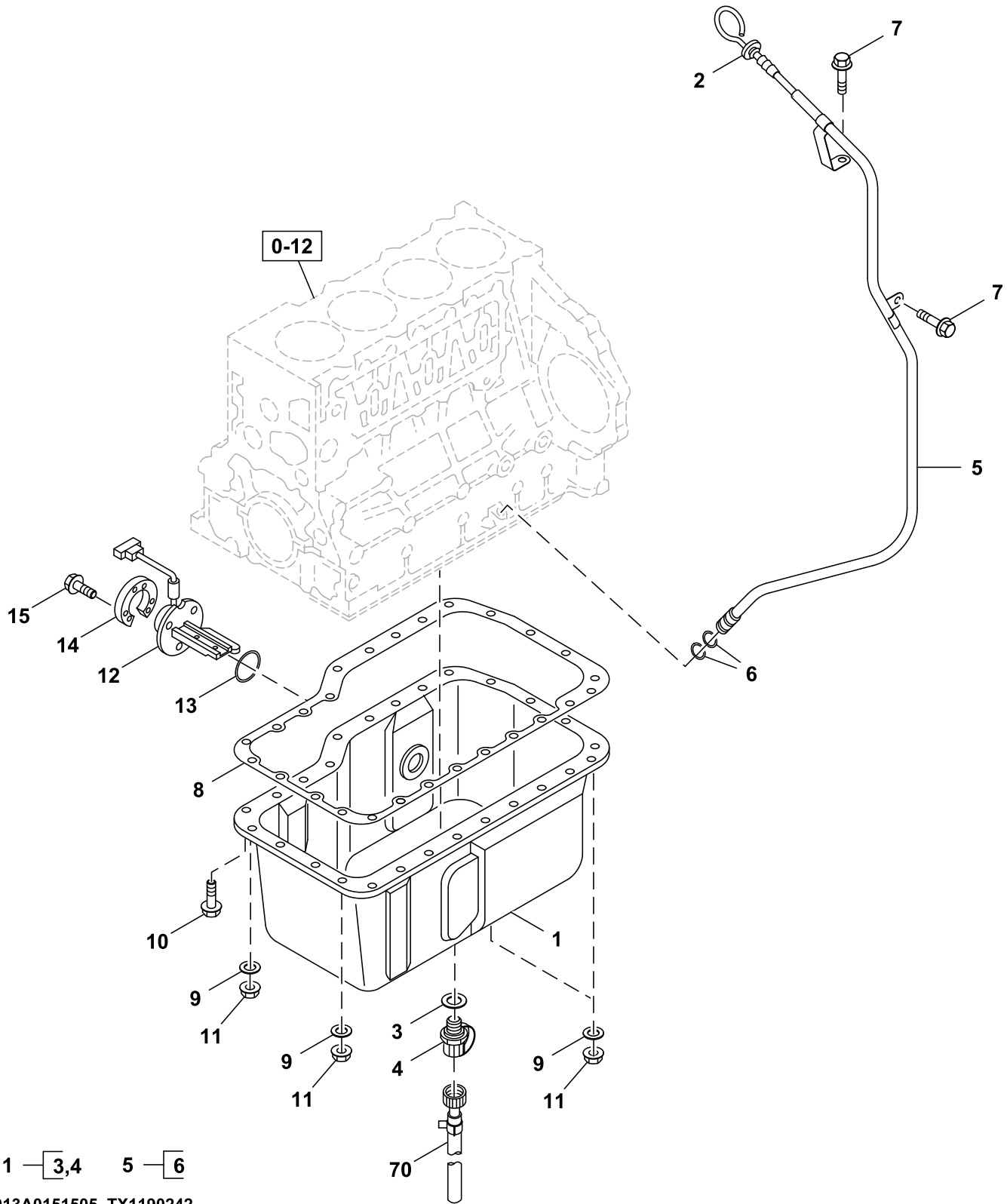


012A0251505_TX1172046

Key	Part No.	Part Name	Qty.	Serial No.	Remarks
1	8973525370	Plug	1		
2	8943996881	Pin Fastener	2		SUB FOR 8943996880
3	1093050050	Stud	2		M8X20, SUB FOR AT254807
4	8971354230	Pin Fastener	4		SUB FOR 8944836740
5	5096000130	Seal	1		SUB FOR 1096000102
6	9111291280	Seal	3		
7	8982513450	Packing	1		Also Included In Gasket Set, Engine
8	8973296170	Plug	1		
9	9098621560	Plug	1		
10	1096300830	Gasket	1		Also Included In Gasket Set, Engine
11	8981669782	Plate	1		SUB FOR 8981669780
12	19M7866	Screw	2		M8 X 20, SUB FOR 0280508200 AND 0280808200
13	8981732650	Bolt	1		
14	8982045290	Cylinder Block	1		

0-13 Oil Pan And Level Gauge

TX1190242 E.1

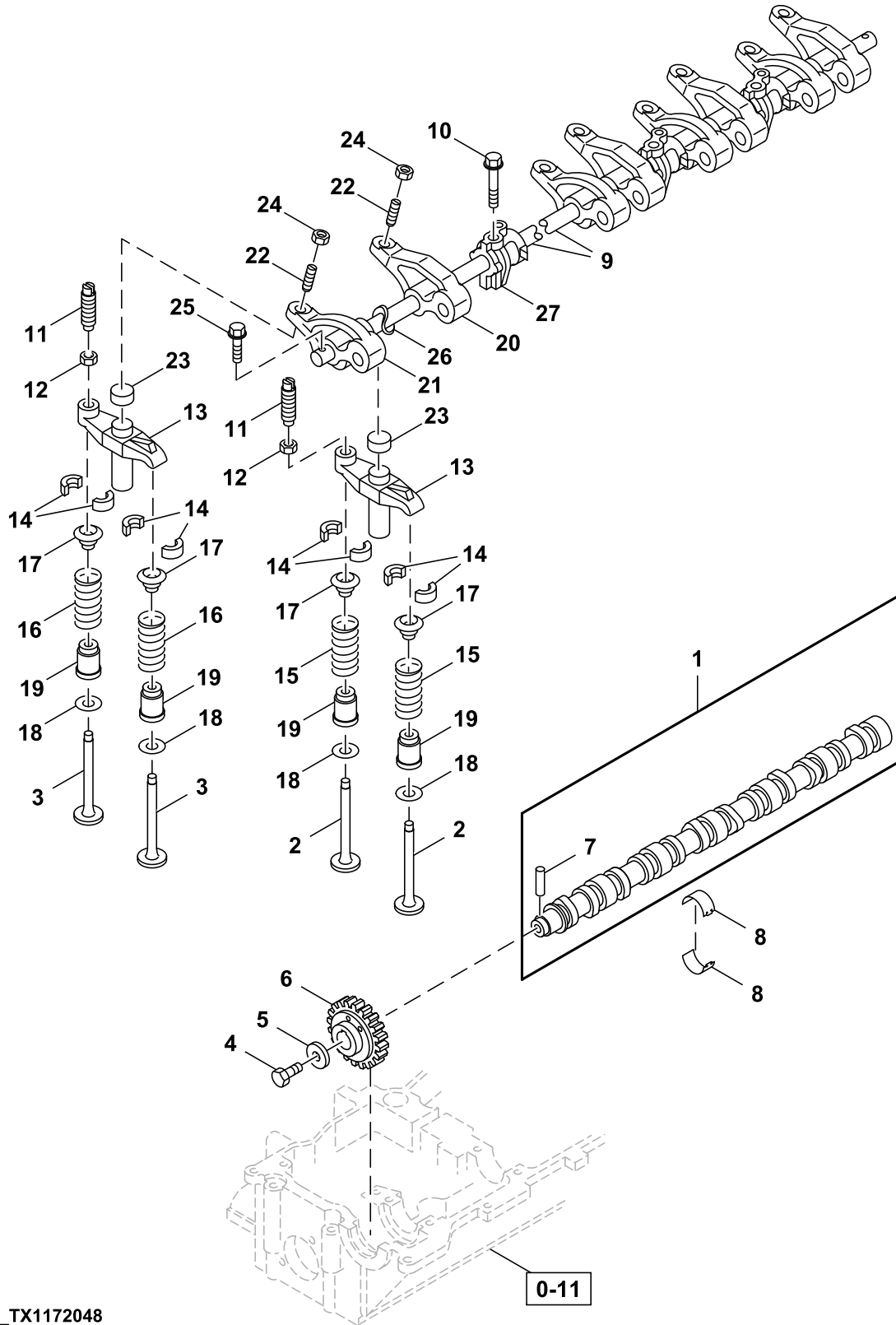


013A0151505_TX1190242

Key	Part No.	Part Name	Qty.	Serial No.	Remarks
1	8981779000	Oil Pan	1		
2	8982403250	Gauge	1		Dipstick
3	1096300900	Gasket	1		SUB FOR 1096300590, Also Included In Gasket Kit, Engine
4	8981442470	Plug	1		
5	8982403200	Tube	1		
6	5096230023	Gasket	2		SUB FOR 1096234690 AND 5096230020
7	0280508160	Bolt	2		M8X16, SUB FOR 0280508120
8	8973638451	Gasket	1		Also Included In Gasket Kit, Engine
9	0915108080	Washer	4		
10	8981827880	Bolt	22		
11	14M7273	Nut	4		M8, SUB FOR 0911105080 AND 9091105080
12	8971312230	Sensor	1		Oil Level
13	8976049160	Gasket	1		SUB FOR 1096233550, Oil Level, Also Included In Gasket Kit, Engine
14	5113690720	Spacer	1		
15	0280506250	Bolt	3		M6X25
70	8982534070	Hose	1		SUB FOR 8973880231

0-14 Engine Camshaft And Valves

TX1172048 C.1

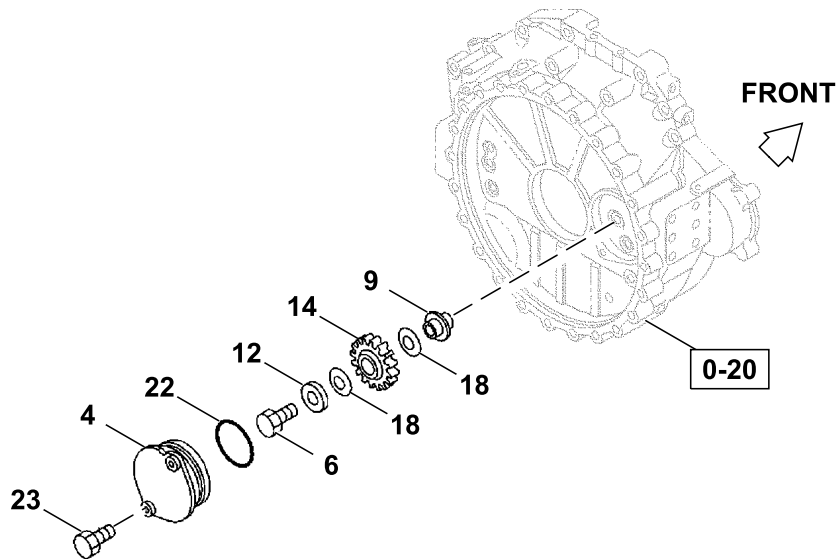
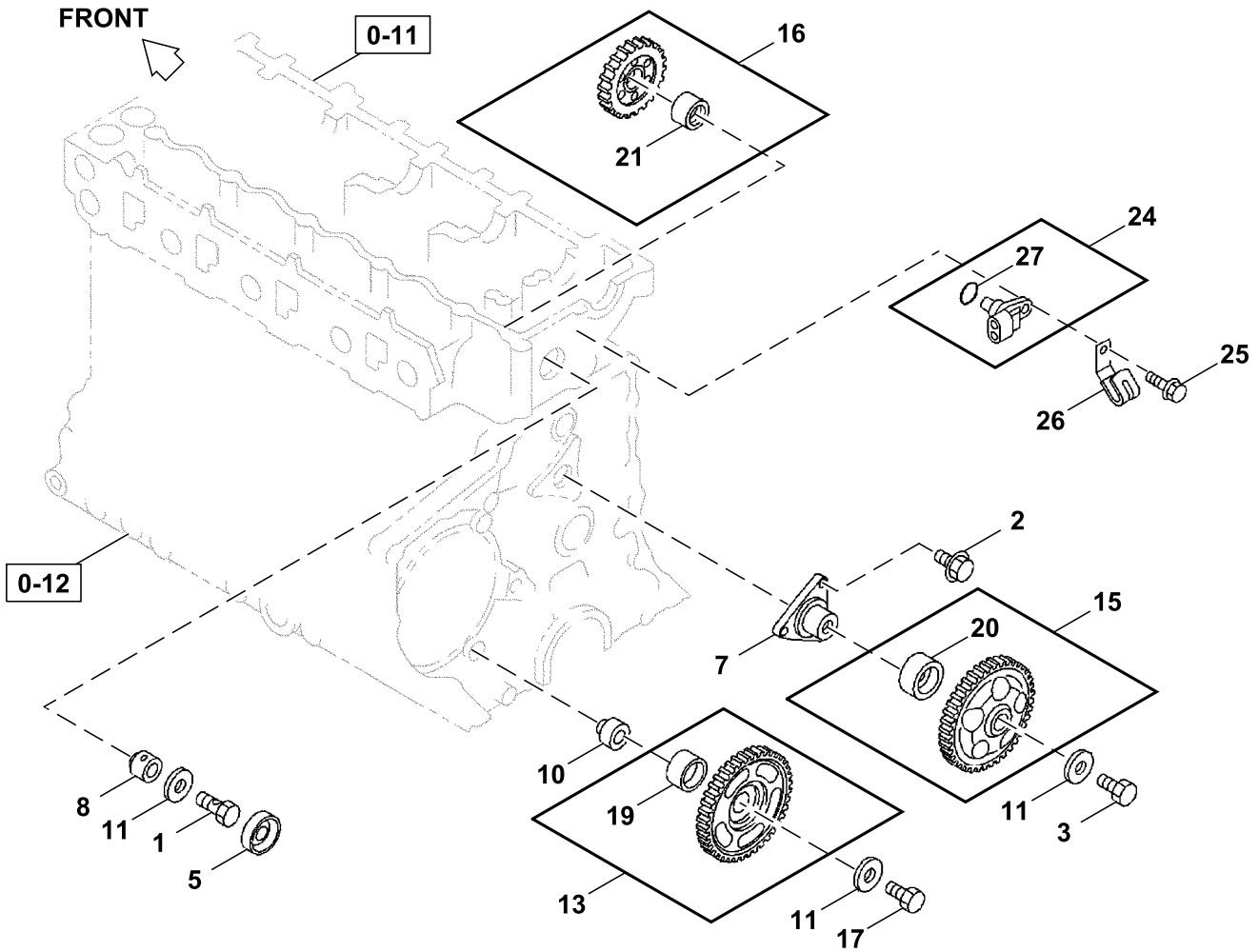


014A0151505_TX1172048

Key	Part No.	Part Name	Qty.	Serial No.	Remarks
1	8972621660	Camshaft	1		
2	8943958822	Valve	8		SUB FOR 8943958821, Intake
3	8972098764	Valve	8		SUB FOR 8972098763, Exhaust
4	8943964390	Bolt	1		
5	9098518503	Washer	1		
6	8980189353	Gear	1		Z=35
7	8943994870	Pin Fastener	1		M14X40
8	8973861890	Bearing	10		SUB FOR 8973569390
9	8973899210	Rocker Arm Shaft	1		SUB FOR 8973064262
10	8943931310	Bolt	3		M10X62, SUB FOR 8971746500
11	8943948030	Screw	8		M8X21
12	14M7599	Nut	8		M8, SUB FOR 9098445740
13	8943920023	Valve Bridge	8		
14	5125650040	Locking Collar	32		
15	8943958840	Spring	8		Inlet
16	8943958851	Spring	8		SUB FOR 8943958850, Exhaust
17	8943907832	Valve Seat	16		
18	8943914680	Valve Seat	16		
19	8973767200	Seal	16		Also Included in Gasket Kit, Engine and Head
20	8973064213	Rocker Arm	4		Inlet
21	8973064243	Rocker Arm	4		Exhaust
22	8943950240	Screw	8		M10
23	8943960152	Cap	8		
24	0911115100	Nut	8		M10, SUB FOR 9091115100
25	0280808400	Bolt	2		M8X40, SUB FOR 0280508400 AND AT259927
26	8943929990	Spring	4		
27	8973344140	Bracket	3		

0-14 Engine Camshaft And Valve Support

TX1172049 A.1

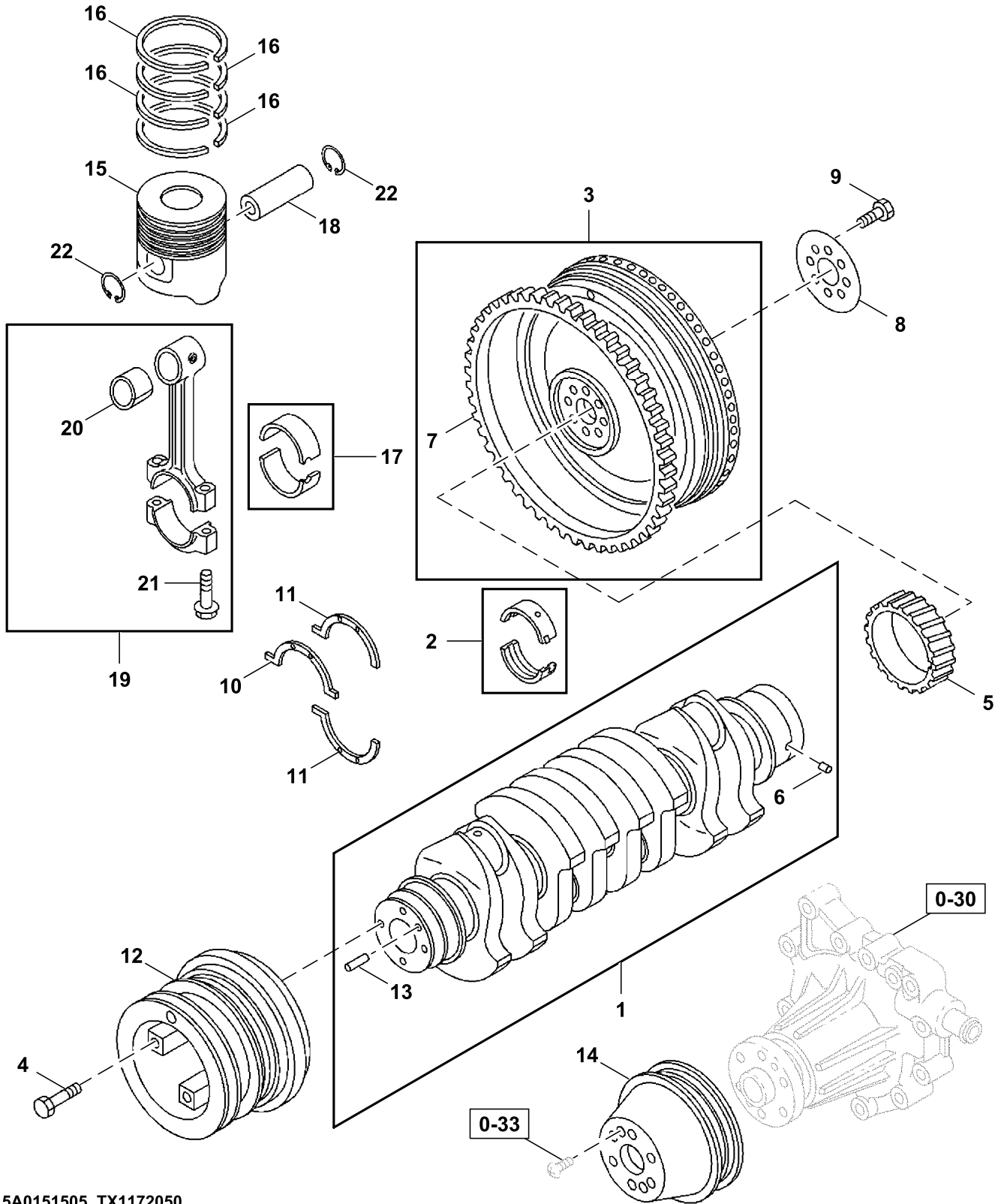


014A0251505_TX1172049

Key	Part No.	Part Name	Qty.	Serial No.	Remarks
1	8943722211	Bolt	1		M14X36.5
2	0280608160	Bolt	3		M14X25
3	0239514250	Bolt	1		
4	8943346811	Cover	1		SUB FOR 8980238810
5	8970968260	Cover	1		
6	0169564600	Bolt	1		M14X60
7	8973500210	Shaft	1		SUB FOR 8971892441
8	8971863981	Shaft	1		
9	8980410990	Shaft	1		
10	8980607800	Shaft	1		SUB FOR 8971043800
11	8972097282	Thrust Washer	3		SUB FOR 8972097281
12	8980236160	Bushing	1		
13	8976005861	Gear	1		Z=72-60-30
14	8980410640	Gear	1		Z=34
15	8976067670	Gear	1		Z=61; SUB FOR 8976005900
16	8976069290	Gear	1		Z=41; SUB FOR 8973004480
17	8971131670	Bolt	1		M14X65, SUB FOR 8970667980
18	8980410890	Washer	2		
19	1125280280	Bushing	1		
20	8976067680	Bushing	1		SUB FOR 8943693400
21	8976067700	Bushing	1		SUB FOR 8971126080
22	1096234230	Gasket	1		Also Included In Gasket Kit, Engine
23	0280508160	Bolt	2		M8X16, SUB FOR 0280508120
24	8980190240	Sensor	1		Cam Angle
25	0280506120	Bolt	1		M6X12, SUB FOR 0280806120
26	8973679851	Clip	1		SUB FOR 5097003071, 8942251850 AND 8973679850
27	8973694040	Gasket	1		

0-15 Crankshaft, Pistons, and Flywheel

TX1172050 A.1

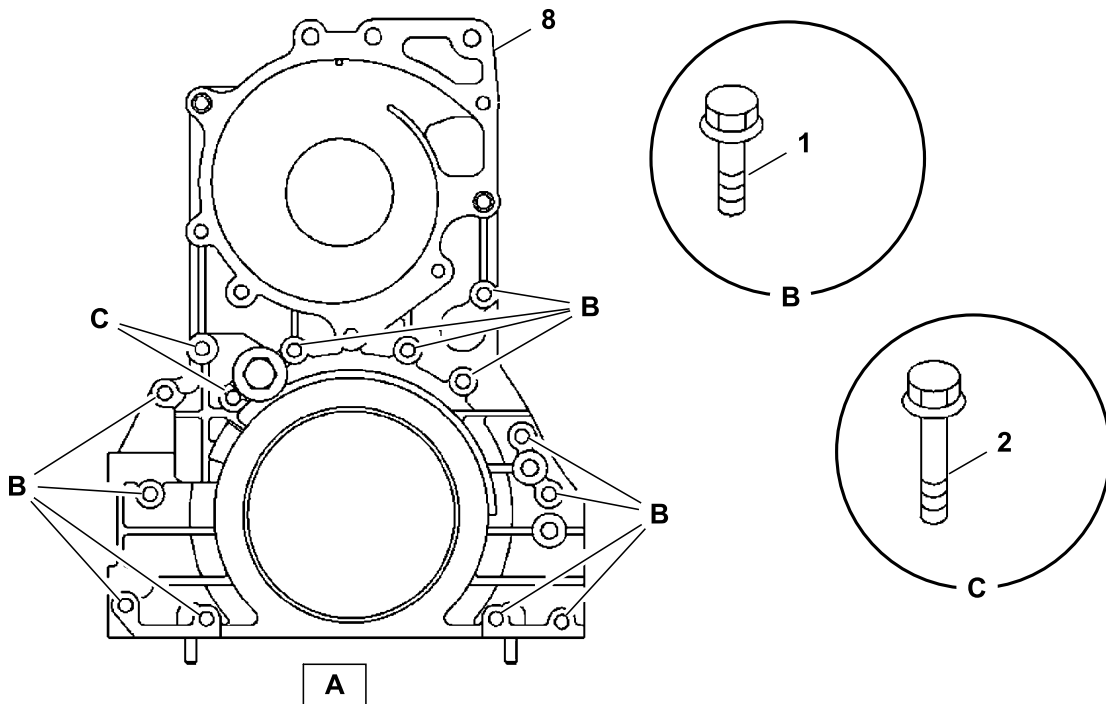
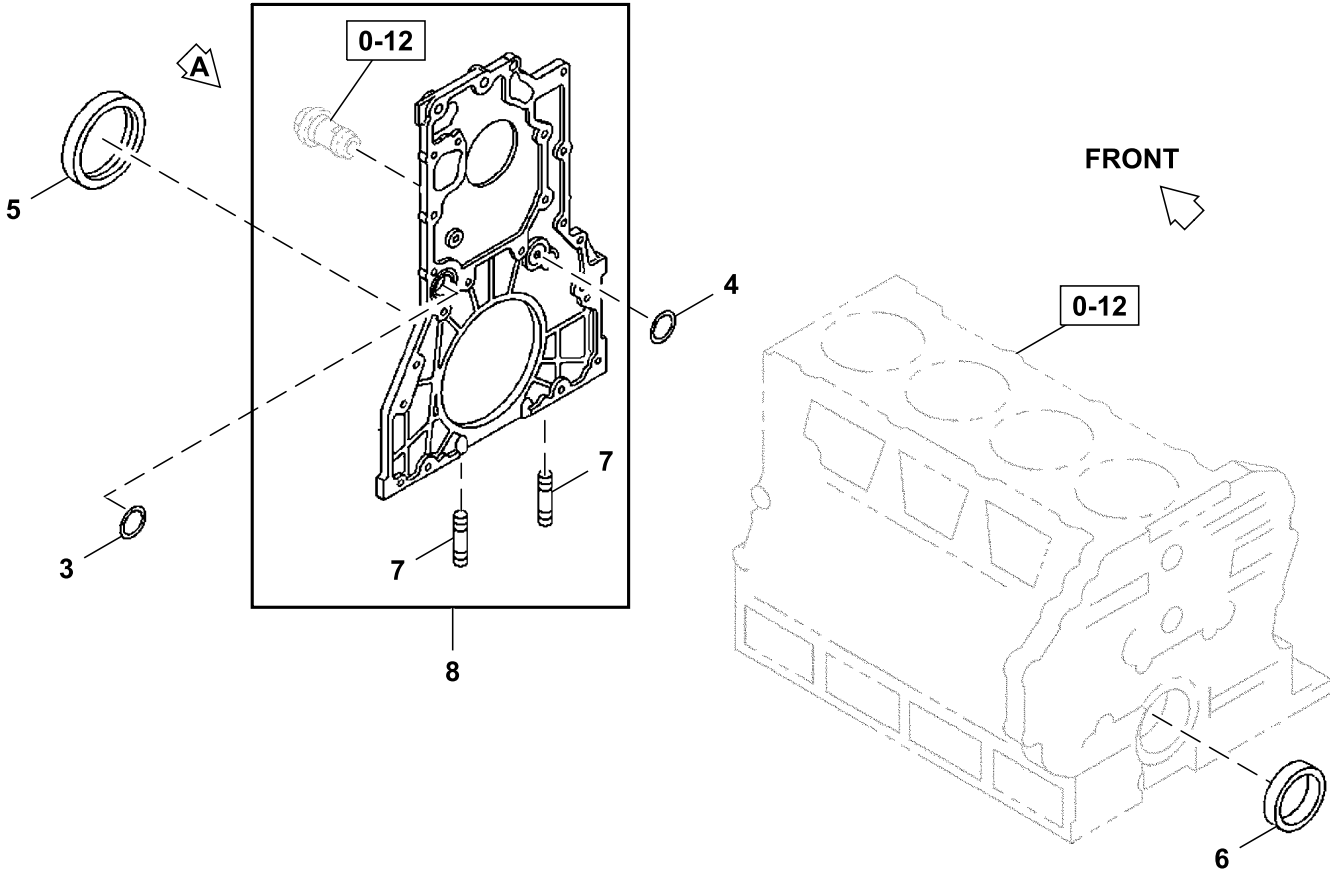


015A0151505_TX1172050

Key	Part No.	Part Name	Qty.	Serial No.	Remarks
1	8980292700	Crankshaft	1		SUB FOR 8973525343
2	8973720761	Bearing	5		SUB FOR 8973720760, Blue
	8973720771	Bearing	1		Black
	8973720781	Bearing	1		Brown
3	8981519330	Flywheel	1		
4	8970287330	Bolt	4		M16X42
5	8943922551	Gear	1		Z=42
6	9098786260	Dowel Pin	1		
7	8943931320	Gear	1		Z=129
8	8943974961	Washer	1		
9	8971780130	Bolt	8		M16X42, SUB FOR 8971129990
10	8973865480	Thrust Washer	1		SUB FOR 8943992770, Front
11	8973865490	Thrust Washer	2		SUB FOR 8943992830, Rear
12	8973627472	Pulley	1		
13	9081508200	Pin Fastener	2		
14	8980182361	Pulley	1		
15	8982445220	Piston	4		Also Included In Liner Set
16	8980171660	Piston Ring	4		Also Included In Liner Set
17	8976163580	Bearing Kit	4		SUB FOR 8980554800, Green
	8976163590	Bearing Kit	1		Yellow
18	8980188631	Pin	4		Also Included In Liner Set
19	8980184253	Connecting Rod	4		SUB FOR 8980184251 AND 8980184252
20	8943917941	Bushing	1		SUB FOR 8943917940
21	1122350350	Bolt	2		M13X57, SUB FOR 8980911410
22	1095870811	Ring	8		Also Included In Liner Set

0-20 Timing Gear Case

TX1172051 A.1

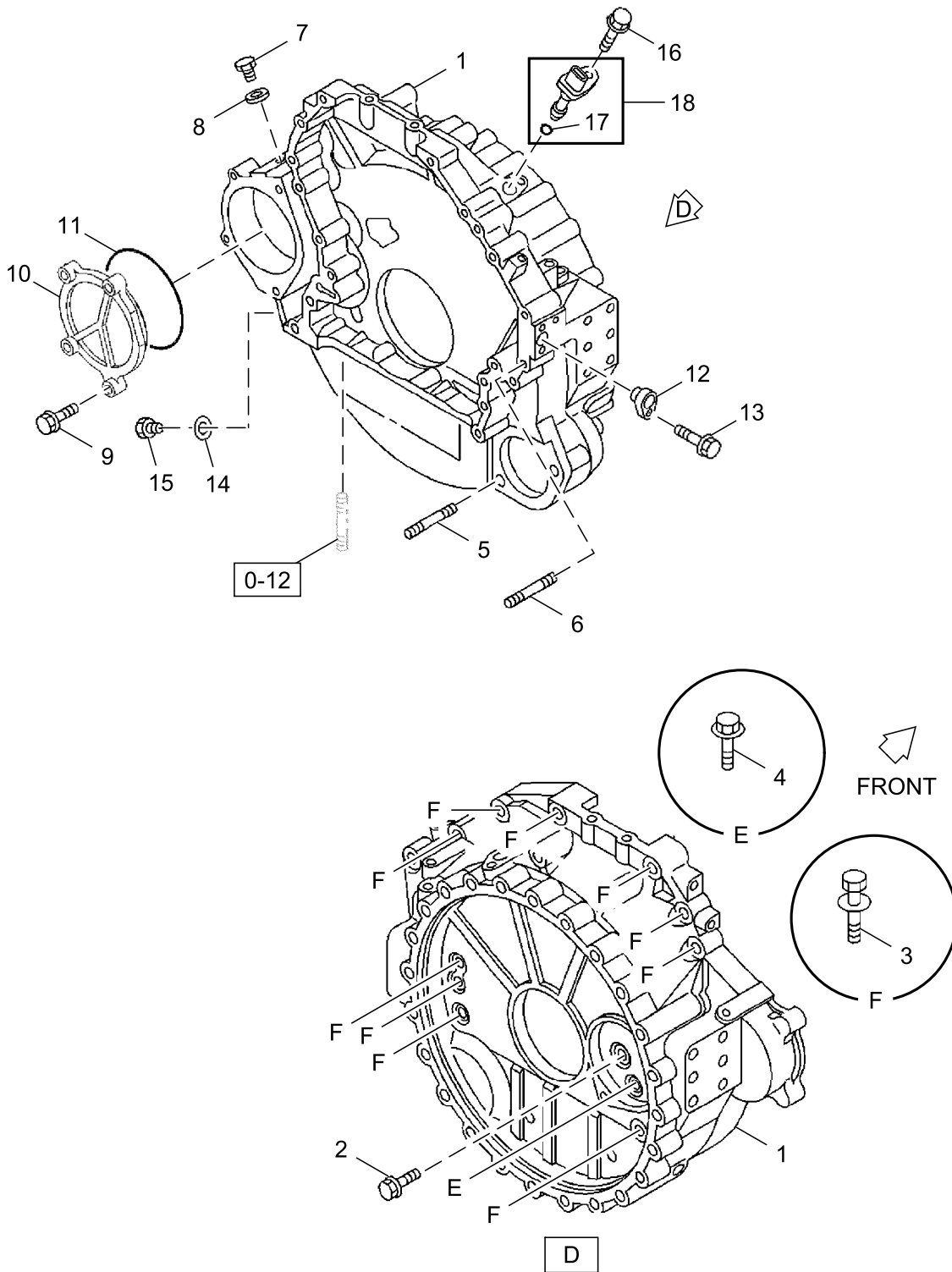


020A0151505_TX1172051

Key	Part No.	Part Name	Qty.	Serial No.	Remarks
1	0286808350	Bolt	12		M8X35, SUB FOR 0286508350
2	1090440721	Bolt	2		M8X65
3	8970287481	Gasket	1		Also Included In Gasket Kit, Engine
4	9095613180	Gasket	1		Also Included In Gasket Kit, Engine
5	8973829550	Seal	1		Also Included In Gasket Kit, Engine
6	8972093423	Seal	1		SUB FOR 8972093422, Also Included In Gasket Kit, Engine
7	0410108180	Stud	2		M8X18
8	8982038950	Cover	1		

0-20 Flywheel Housing and Support

TX1172052 B.1

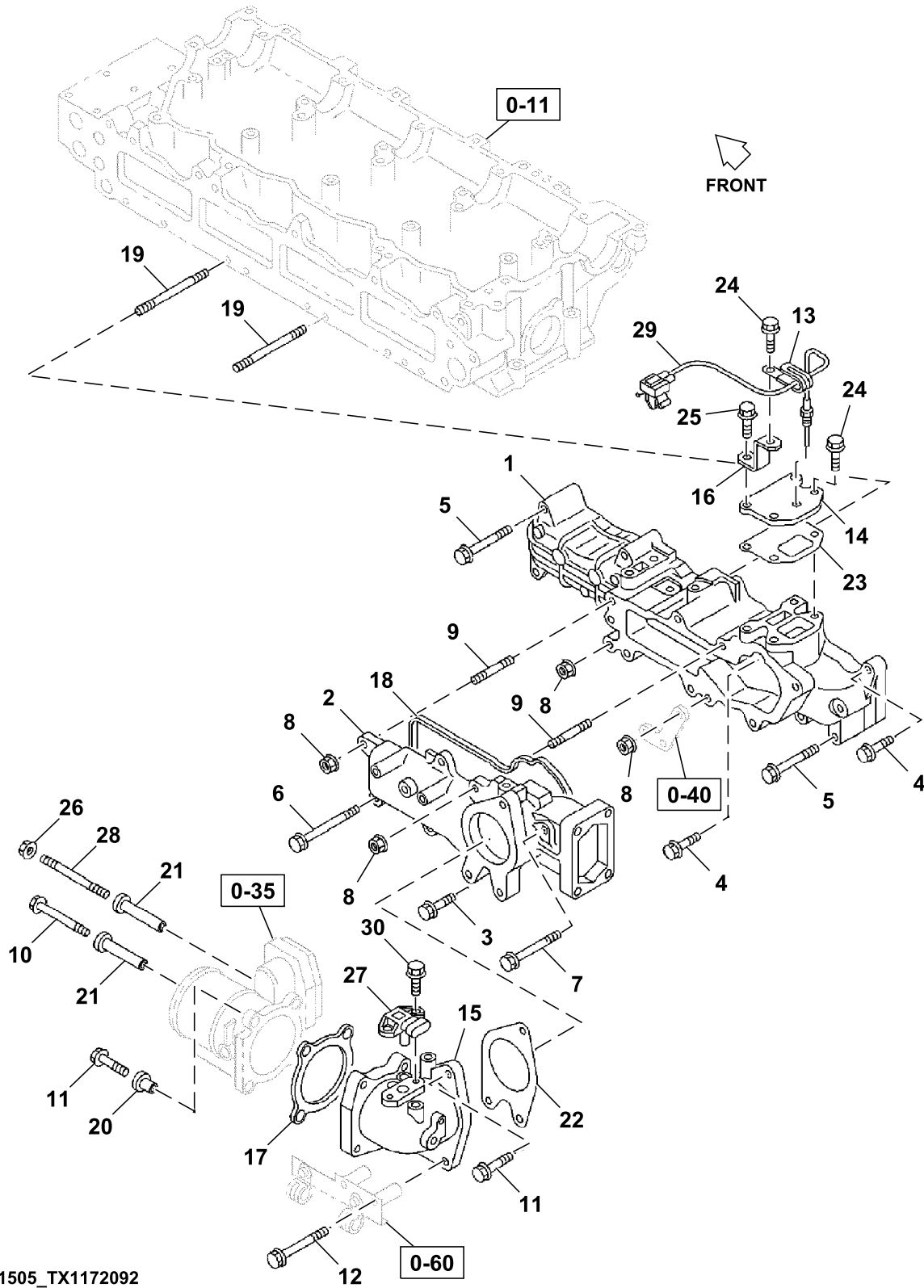


020A0251505_TX1172052

Key	Part No.	Part Name	Qty.	Serial No.	Remarks
1	8981164212	Housing	1		SUB FOR 8981164210 OR 8981164211
2	0287510400	Bolt	1		SUB FOR 0287810400
3	8971147790	Bolt	11		
4	8971354190	Bolt	1		SUB FOR 8943439190
5	0440112300	Stud	2		SUB FOR 9944112300
6	0440112550	Stud	1		
7	0920024120	Plug	1		SUB FOR 5096040120
8	8944725841	Gasket	1		SUB FOR 8944725840, Also Included in Gasket Set (Engine)
9	0281512350	Bolt	4		SUB FOR 0281812350
10	8980653550	Cover	1		
11	1096235700	Gasket	1		Also Included in Gasket Set (Engine)
12	8971019740	Plug	1		
13	0280506160	Bolt	1		
14	9095714160	Gasket	1		
15	0920024160	Plug	1		
16	0280506120	Bolt	1		
17	8973694040	Gasket	1		
18	8976069430	Sensor	1		Tachometer

0-25 Engine Air Intake Manifold

TX1172092 A.1

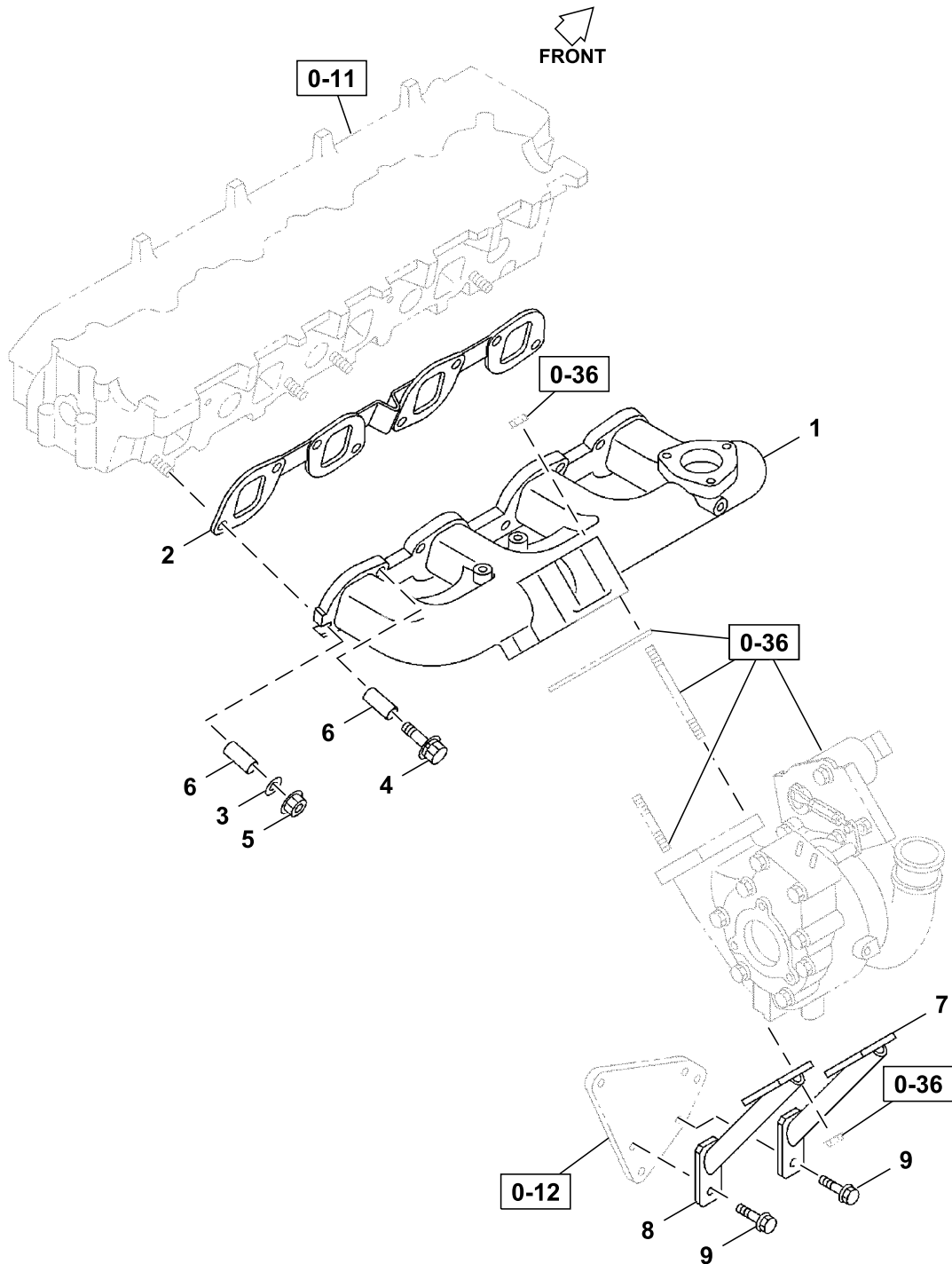


025A0151505_TX1172092

Key	Part No.	Part Name	Qty.	Serial No.	Remarks
1	8981156671	Cover	1		
2	8982365680	Cover	1		
3	0280508250	Bolt	1		SUB FOR 0280808250
4	0280508300	Bolt	2		
5	0280808600	Bolt	5		SUB FOR 0280508600, 8941583930 AND 8941583931
6	0280558120	Bolt	3		SUB FOR 0280858120
7	8980815070	Bolt	1		
8	0911801080	Nut	4		SUB FOR 8940120390
9	0410108250	Stud	2		SUB FOR 9041108250
10	0280508700	Bolt	1		SUB FOR 0280808700
11	0286508300	Bolt	3		SUB FOR 8970297050
12	8980815070	Bolt	2		
13	8973679851	Clip	1		SUB FOR 8973679850
14	8981646610	Bracket	1		
15	8982365720	Pipe	1		
16	1474781130	Bracket	1		
17	8973870090	Gasket	1		Also Included in Gasket Set (Engine and Head)
18	8980326110	Gasket	1		Also Included in Gasket Set (Engine and Head)
19	8971114770	Stud	2		SUB FOR 8970158360
20	8972196500	Isolator	2		
21	8973879951	Seal	2		SUB FOR 8973879950
22	8973060251	Gasket	1		SUB FOR 8973060250, Also Included in Gasket Set (Engine)
23	8973788140	Gasket	1		Also Included in Gasket Set (Engine)
24	0280508160	Bolt	4		SUB FOR 0280508120
25	19M7866	Screw	1		M8 X 20, SUB FOR 0280508200 AND 0280808200
26	0911801080	Nut	1		SUB FOR 8940120390
27	FYA00001668	Sensor	1		SUB FOR 8981216970 AND 8981216971, Manifold Absolute Pressure
28	8980170630	Stud	1		
29	8973811820	Sensor	1		Air Temperature
30	0280506120	Bolt	2		SUB FOR 0280806120

0-27 Engine Exhaust Manifold

TX1172093 A.1

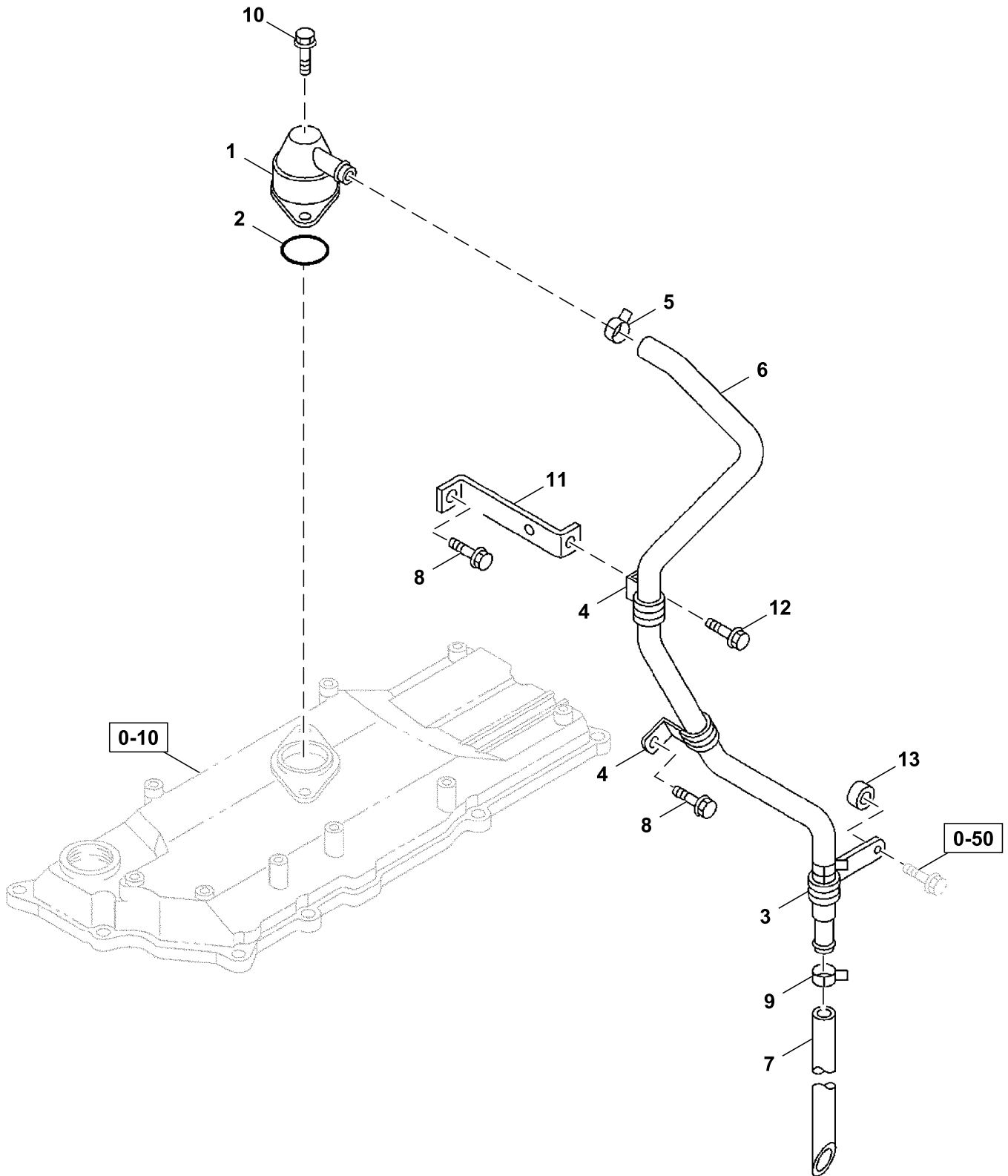


027A0151505_TX1172093

Key	Part No.	Part Name	Qty.	Serial No.	Remarks
1	8981139771	Manifold	1		Exhaust
2	8971464992	Gasket	1		SUB FOR 8971464991, Also Included in Gasket Kit, Engine and Head
3	1095560150	Washer	2		
4	8970615430	Bolt	6		M10X60
5	0911105100	Nut	2		SUB FOR 9091105100
6	8972500731	Locking Collar	8		
7	8981651751	Latch	1		SUB FOR 8981651750
8	8981651761	Latch	1		SUB FOR 8981651760
9	0281510200	Bolt	2		M10X20

0-28 Engine Ventilation

TX1172094 A.1

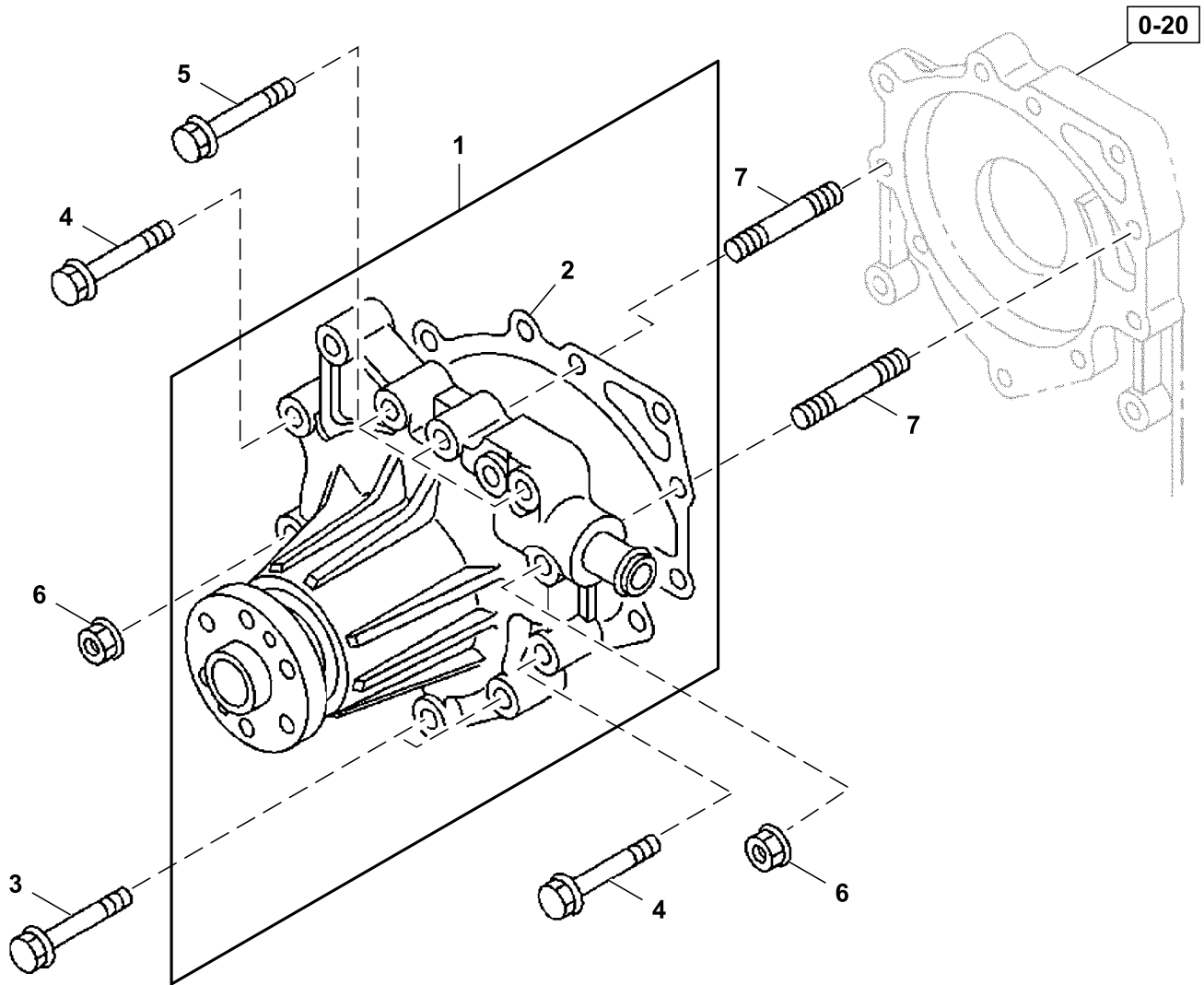


028A0151505_TX1172094

Key	Part No.	Part Name	Qty.	Serial No.	Remarks
1	1117401811	Breather	1		SUB FOR 1117401810 Also Included In Gasket Kit, Engine
2	1096235650	O-Ring	1		
3	1097007041	Clip	1		
4	8976155680	Clip	2		
5	1097071500	Clip	1		
6	8982422110	Hose	1		
7	8982596140	Hose	1		
8	0280508160	Bolt	2		M8X16, SUB FOR 0280508120
9	1097071500	Clip	1		
10	0281510200	Bolt	1		M10X20
11	8981893360	Bracket	1		
12	0281510160	Bolt	1		M10X16, SUB FOR 0281810160
13	8943876581	Spacer	1		

0-30 Water Pump

TX1172095 A.1

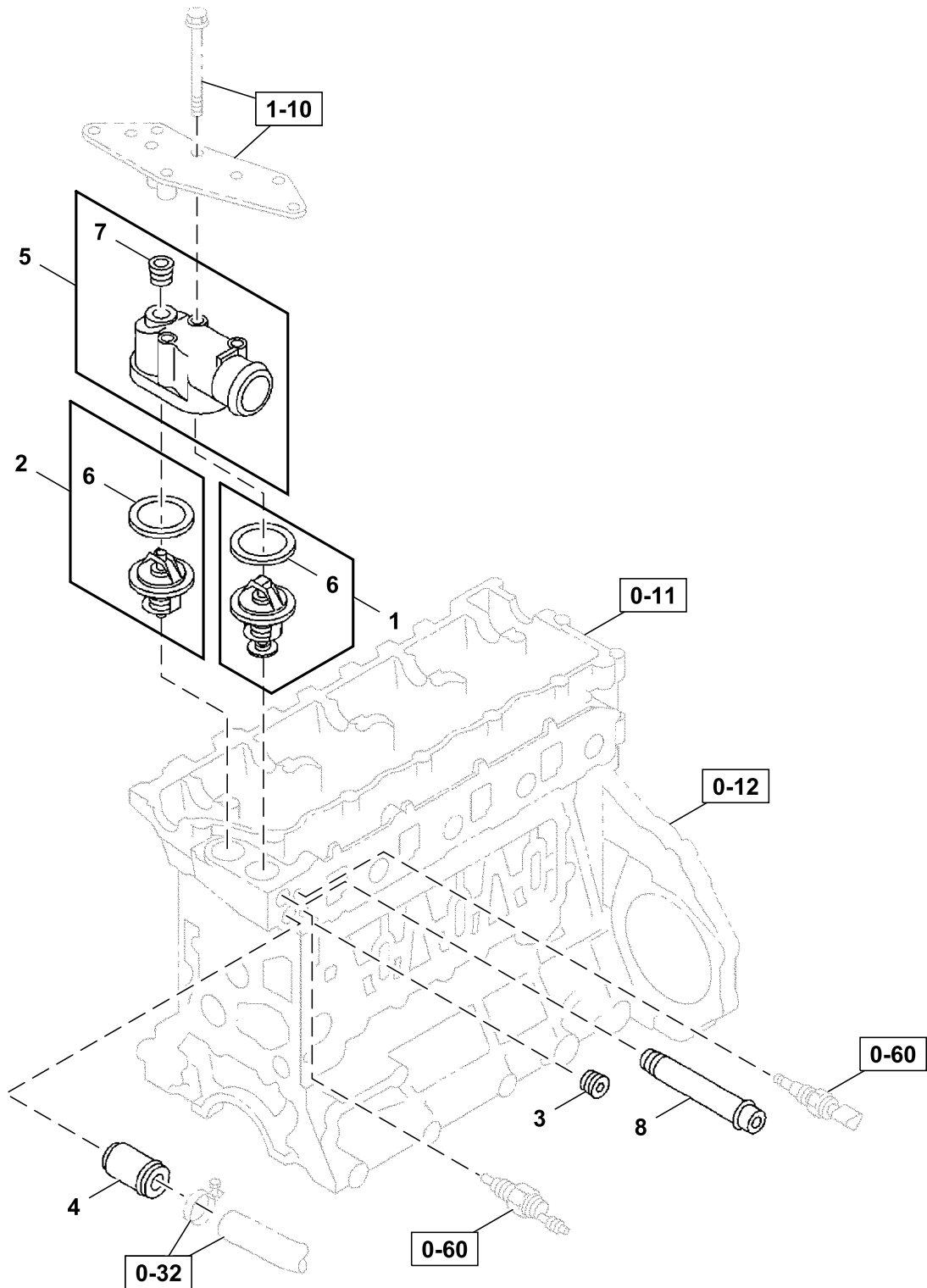


030A0151505_TX1172095

Key	Part No.	Part Name	Qty.	Serial No.	Remarks
1	5873111091	Water Pump	1		SUB FOR 5873111090
2	8981148001	Gasket	1		SUB FOR 8981148000, Also Included In Gasket Kit, Engine
3	8944584731	Bolt	2		M8X48, SUB FOR 8944584730
4	0280608700	Bolt	3		M8X70, SUB FOR 0280908700
5	0281510700	Bolt	3		M10X70
6	0911801080	Nut	2		M8, SUB FOR 8940120390
7	8980170630	Stud	2		M8X71

0-31 Thermostat and Housing

TX1172096 A.1

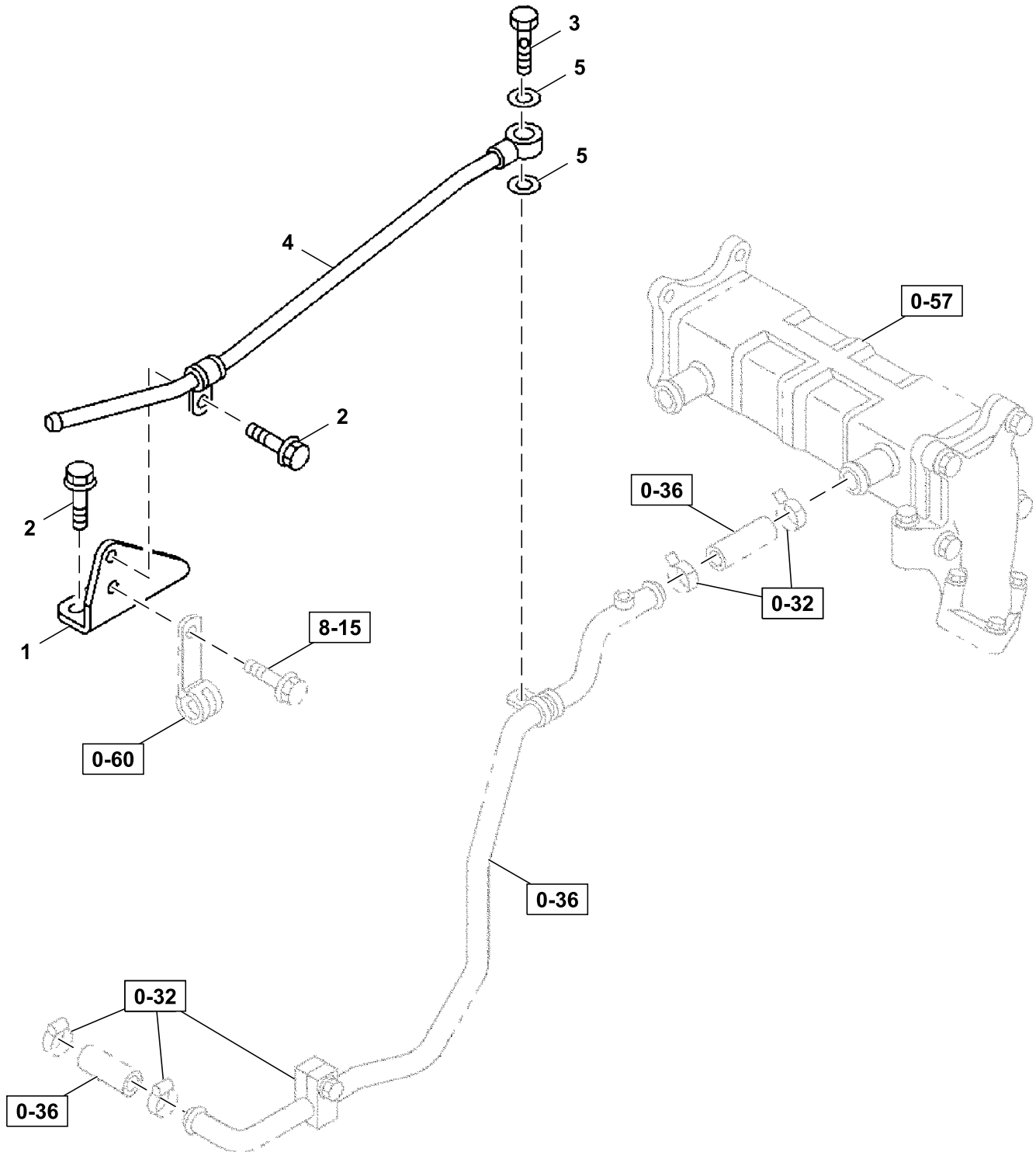


031A0151505_TX1172096

Key	Part No.	Part Name	Qty.	Serial No.	Remarks
1	8973007893	Thermostat	1		SUB FOR 8973007892, 82 Celsius
2	8982389101	Thermostat	1		SUB FOR 8982389100, 76 Celsius
3	5096050050	Pipe Plug	1		SUB FOR AT254825
4	8943425740	Pipe	1		
5	8943905201	Line	1		
6	8982802810	Gasket	1		Also Included In Gasket Set (Engine & Head)
7	8943905270	Plug	1		
8	1096605041	Fitting	1		

0-31 Thermostat Lines

TX1172097 A.1

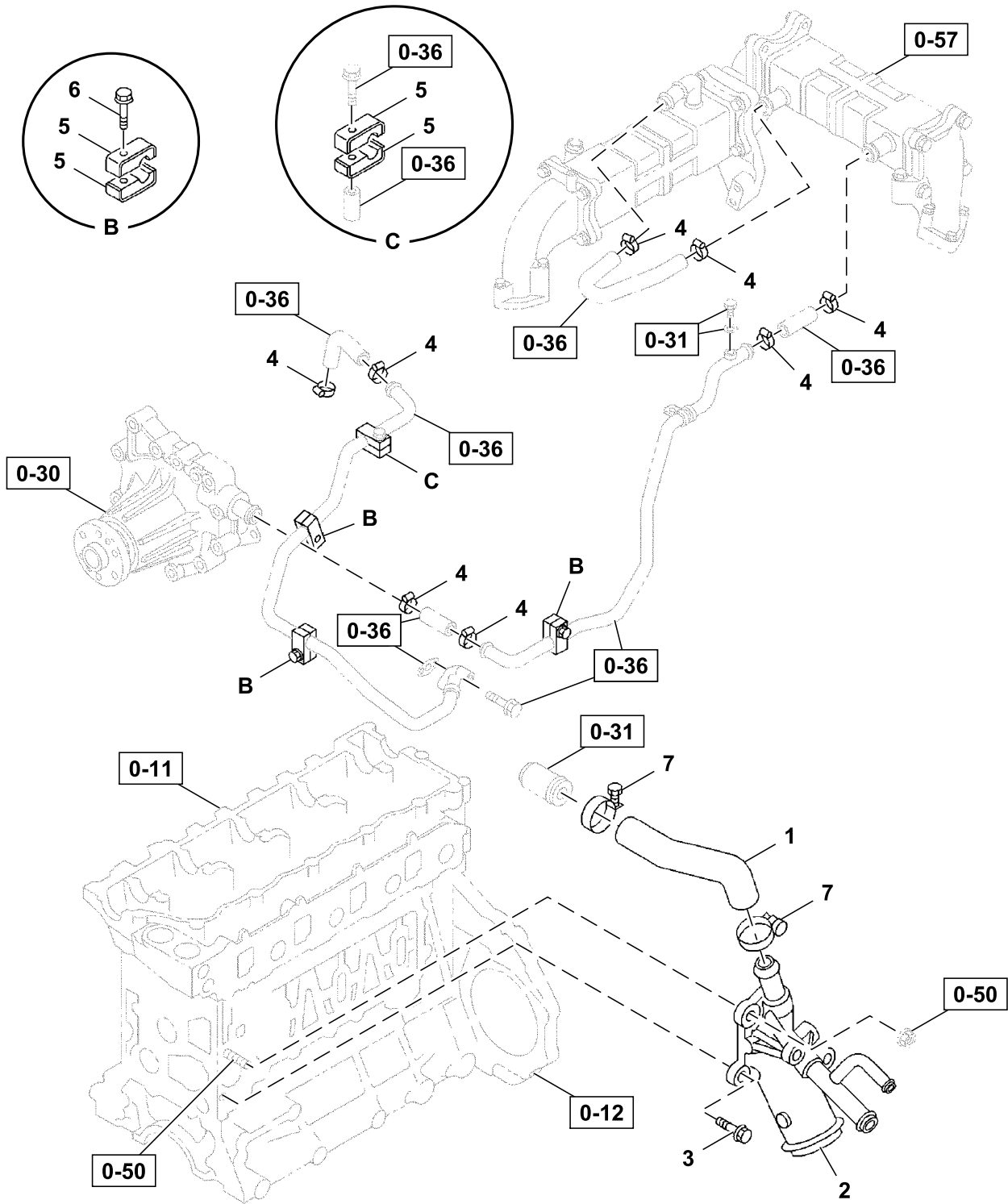


031A0251505_TX1172097

Key	Part No.	Part Name	Qty.	Serial No.	Remarks
1	8982476970	Bracket	1		
2	0280508160	Bolt	2		
3	8982480331	Bolt	1		M8X16, SUB FOR 0280508120
4	8982477240	Pipe	1		M10X23
5	9095714100	Gasket	2		

0-32 Water Bypass Manifold Plumbing

TX1172098 A.1

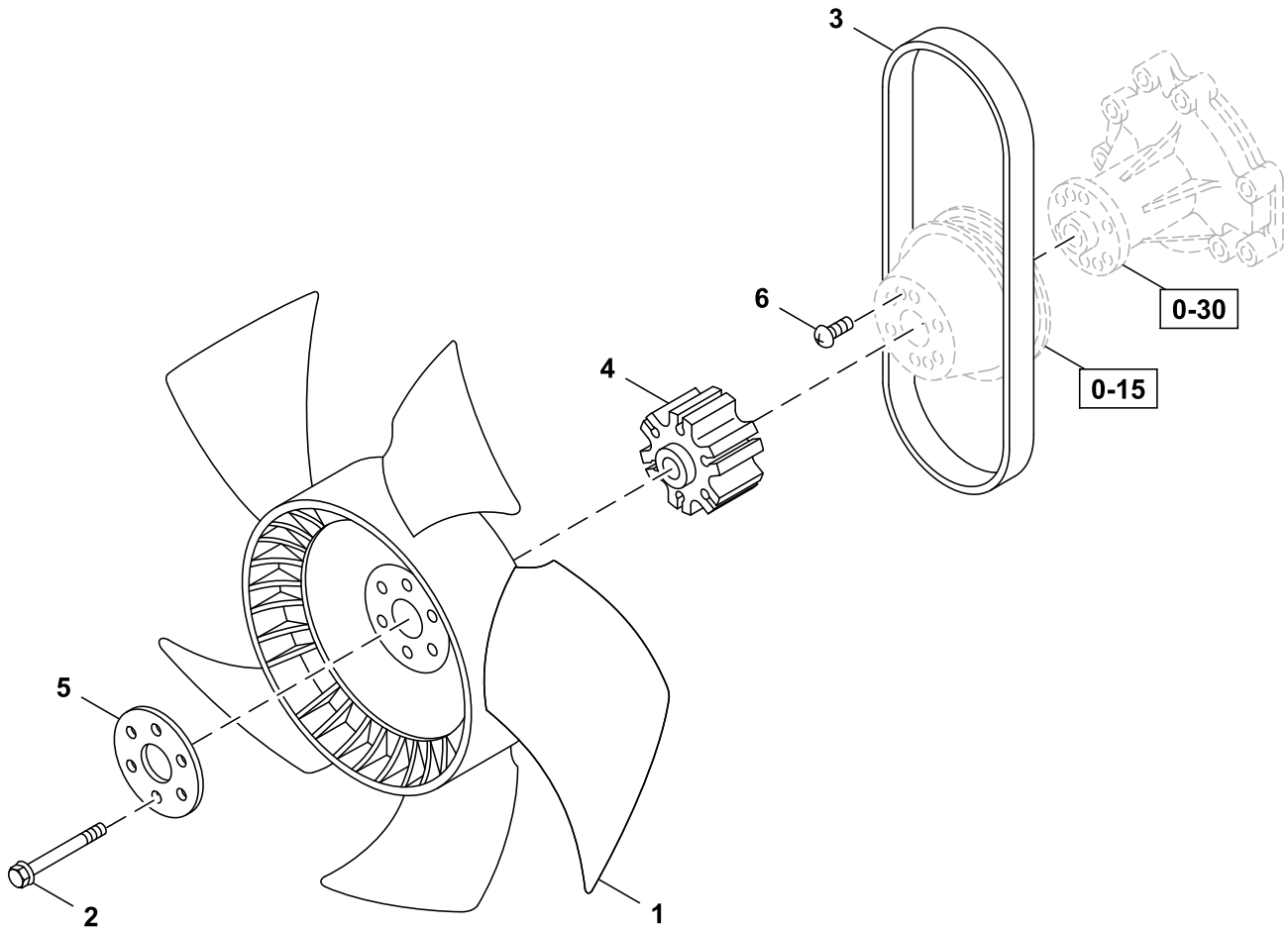


032A0151505_TX1172098

Key	Part No.	Part Name	Qty.	Serial No.	Remarks
1	8972099491	Hose	1		
2	8982373370	Pipe	1		
3	8944584731	Bolt	1		M8X48, SUB FOR 8944584730
4	1097071330	Clip	8		SUB FOR 1097071320
5	8976033621	Clip	8		
6	0280508500	Bolt	3		M8X50, SUB FOR 0280808500
7	8970110950	Clip	2		SUB FOR 9099153151

0-33 Fan and Fan Belt

TX1190227 B.1

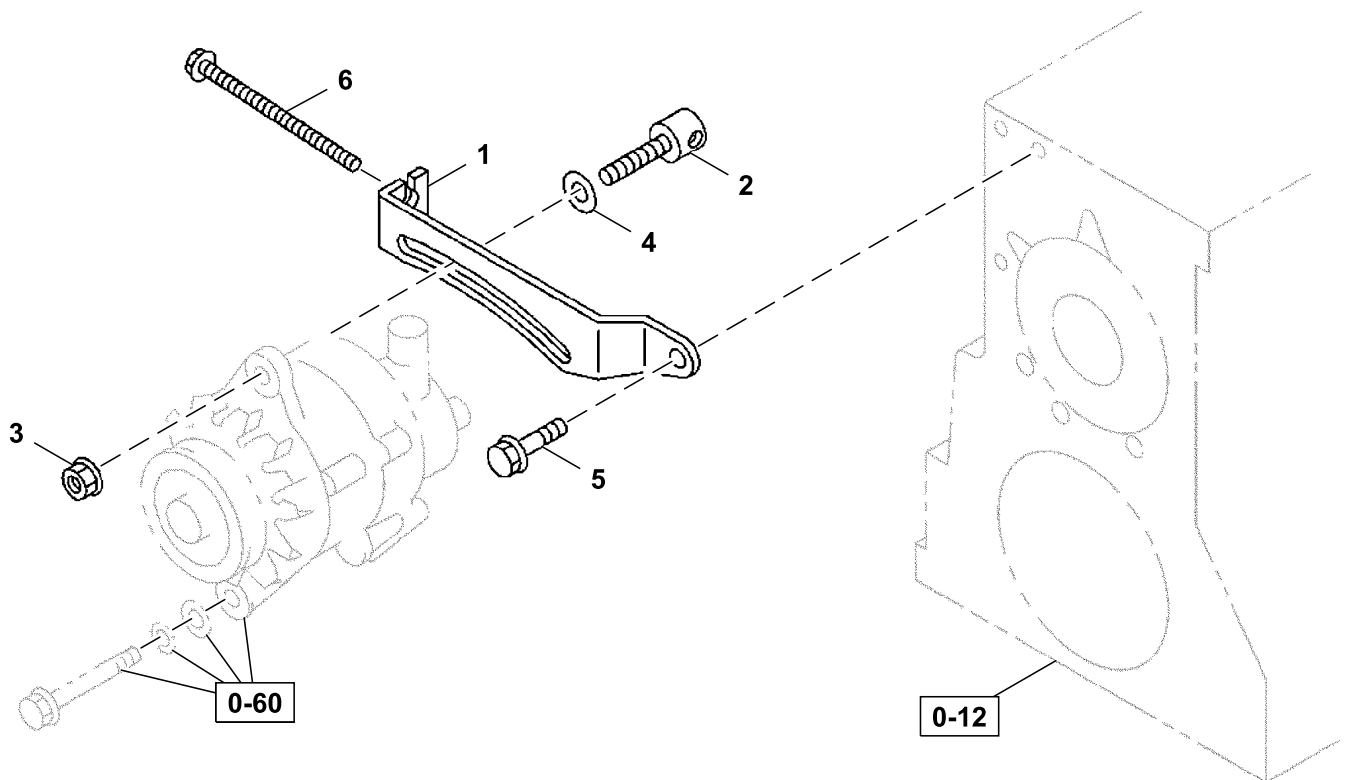


033A0251505_TX1190227

<i>Key</i>	<i>Part No.</i>	<i>Part Name</i>	<i>Qty.</i>	<i>Serial No.</i>	<i>Remarks</i>
1	8980185071	Fan	1		
2	8978058411	Bolt	6		
3	8973628150	V-Belt	1		
4	8980352340	Spacer	1		
5	8980201440	Plate	1		
6	9034906100	Screw	2		

0-33 Fan Motor Mounting

TX1172100 A.1

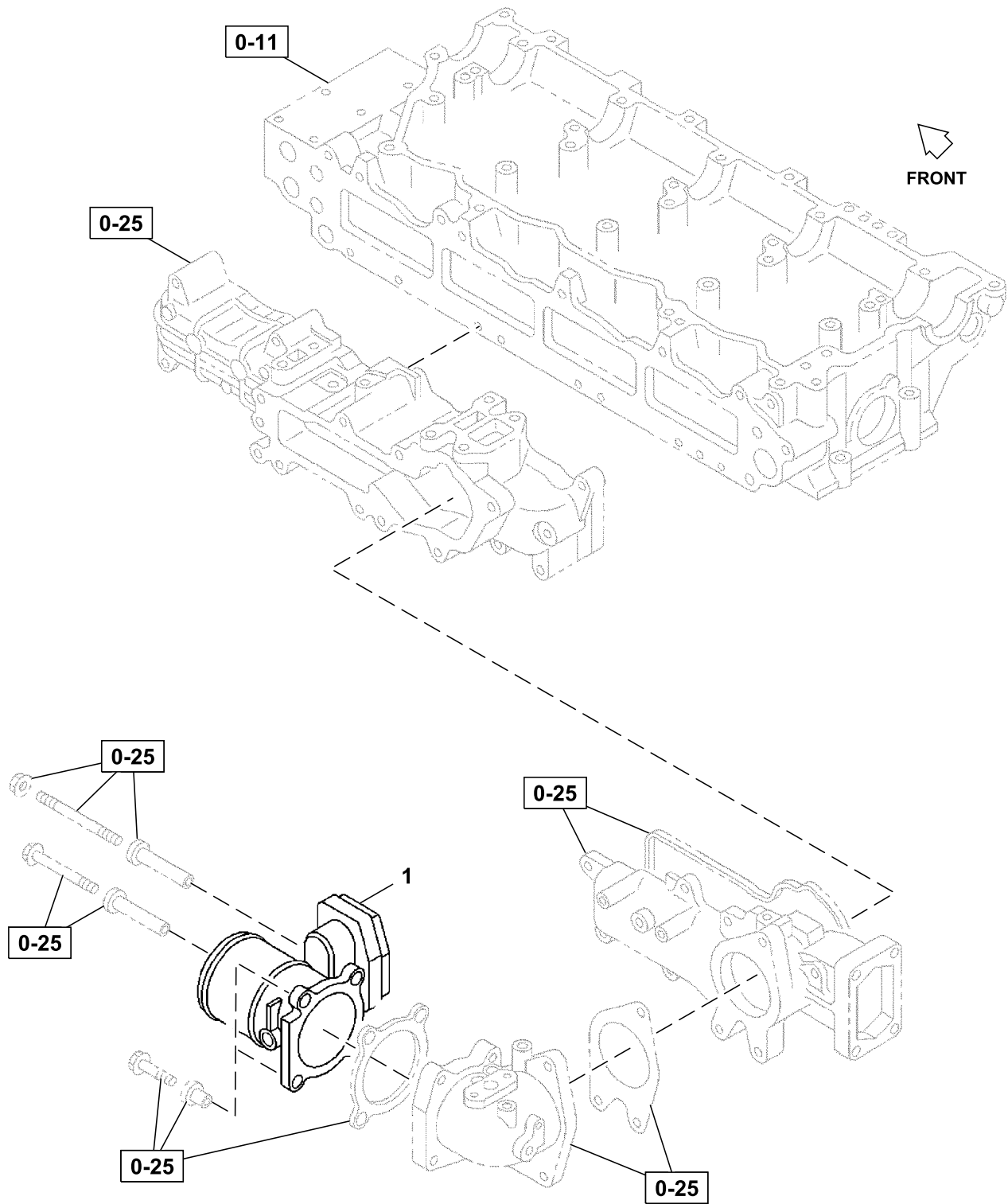


033A0251505_TX1172100

Key	Part No.	Part Name	Qty.	Serial No.	Remarks
1	8973628450	Plate	1		
2	1136741600	Adjuster	1		
3	0911801120	Nut	1		M12, SUB FOR 0911501120
4	0916107120	Washer	1		
5	0281510200	Bolt	1		M10X20
6	1090091141	Bolt	1		M10X155

0-35 Engine Throttle Control Valve

TX1172101 A.1

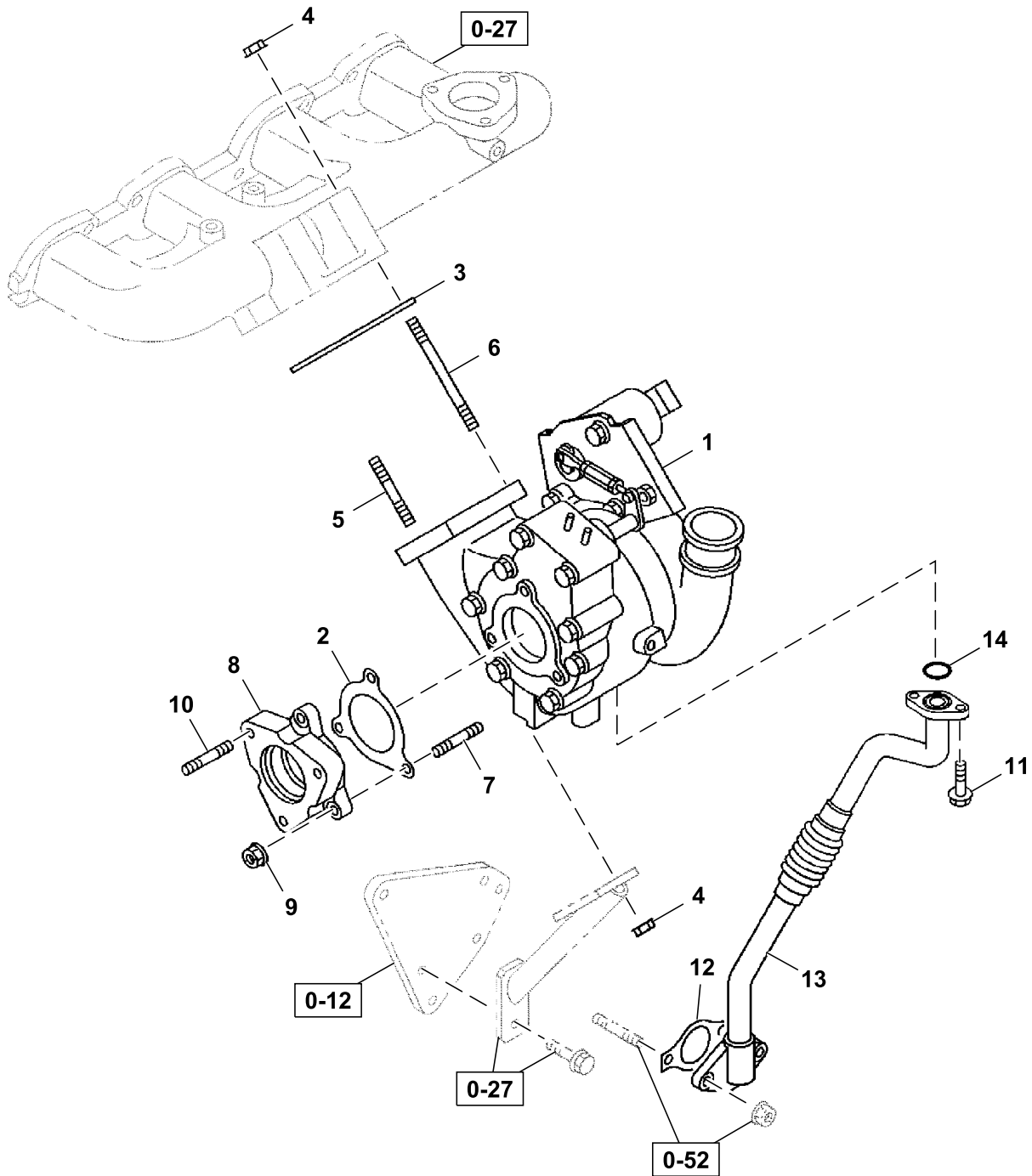


035A0151505_TX1172101

<i>Key</i>	<i>Part No.</i>	<i>Part Name</i>	<i>Qty.</i>	<i>Serial No.</i>	<i>Remarks</i>
1	8981008994	Valve	1		SUB FOR 8981008991, 8981008992 OR 8981008993, Throttle

0-36 Turbocharger

TX1172245 B.1

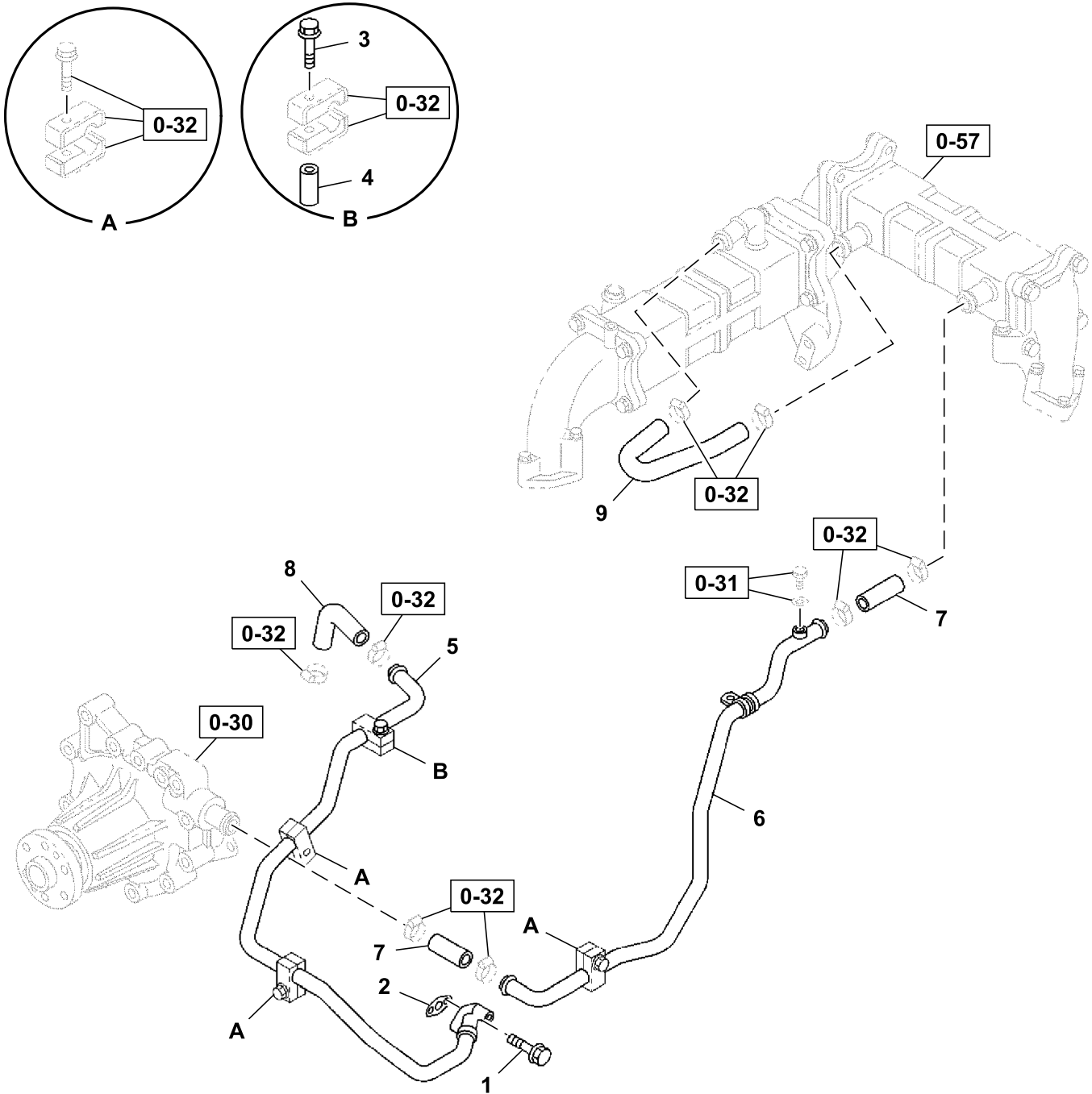


036A0151505_TX1172245

Key	Part No.	Part Name	Qty.	Serial No.	Remarks
1	8983250950	Turbocharger	1		SUB FOR 8982384740 AND 8982384741
2	4664929	Gasket	1		SUB FOR 8973767580, Also Included In Gasket Set, Engine & Head
3	8980462410	Gasket	1		Also Included In Gasket Set, Engine & Head
4	8973816170	Nut	4		
5	8973070752	Stud	2		
6	8980484460	Stud	2		
7	9041308250	Stud	3		
8	8982373490	Adapter	1		
9	14M7298	Flange Nut	3		M8, SUB FOR 8970614011
10	9041308250	Stud	3		
11	0505406160	Bolt	2		SUB FOR 0500806160
12	Gasket	1		8943946710 NLA, Also Included In Gasket Set, Engine & Head
13	8981148030	Pipe	1		
14	1096234620	Gasket	1		

0-36 Heat Exchangers, Water Pump to Exhaust Gas Recirculation (EGR)

TX1172246 A.1

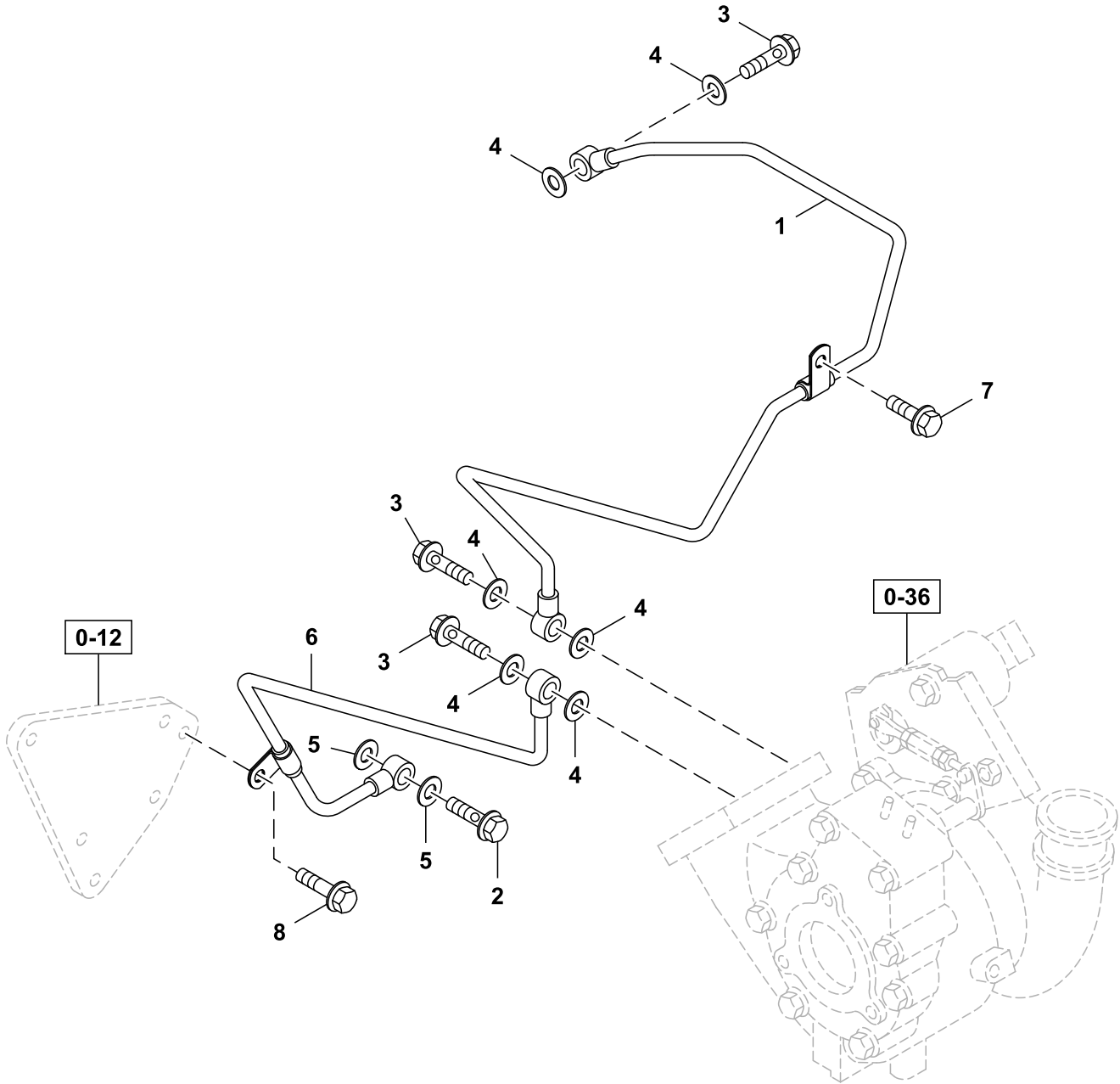


036A0251505_TX1172246

Key	Part No.	Part Name	Qty.	Serial No.	Remarks
1	0280508500	Bolt	2		M8X50, SUB FOR 0280808500
2	8980961660	Gasket	1		Also Included In Gasket Kit, Engine
3	0280508000	Bolt	1		M8X100
4	1113691570	Spacer	1		
5	8981232461	Pipe	1		Water Pump to Exhaust Gas Recirculation (EGR)
6	8981232472	Pipe	1		Water Pump to Exhaust Gas Recirculation (EGR)
7	0035743000	Hose	2		Exhaust Gas Recirculation (EGR) To Water Pump Hose
8	8981261860	Hose	1		Water Pump to Exhaust Gas Recirculation (EGR)
9	8981261870	Hose	1		Exhaust Gas Recirculation (EGR)

0-36 Turbocharger Cooling Plumbing

TX1172247 B.1

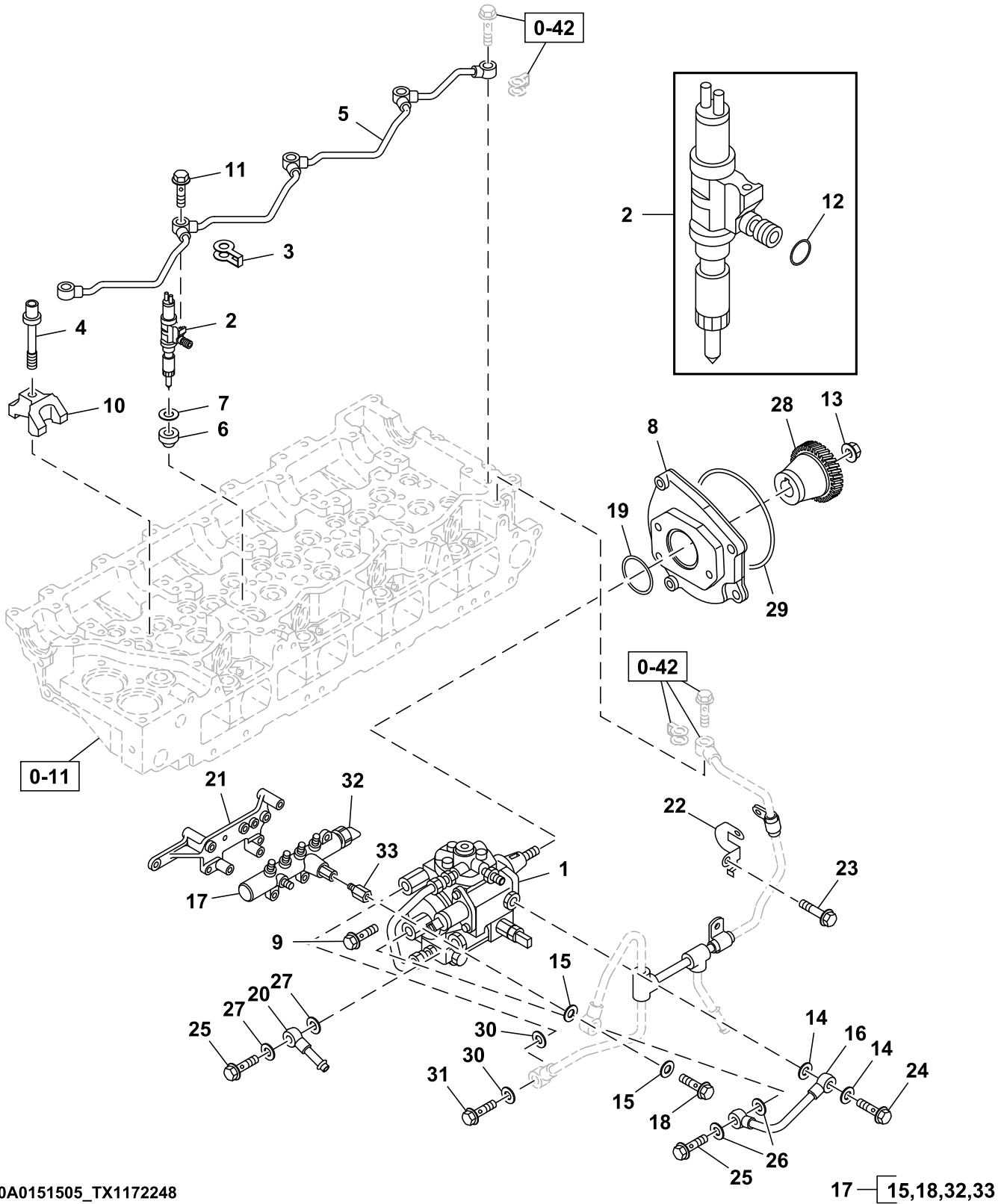


036A0351505_TX1172247

Key	Part No.	Part Name	Qty.	Serial No.	Remarks
1	8981519150	Pipe	1		
2	8944551440	Bolt	1		M14X30
3	8944369330	Bolt	3		M12X28
4	9095714120	Gasket	6		Also Included In Gasket Kit, Engine
5	8982513450	Packing	2		Also Included In Gasket Kit, Engine
6	8981148041	Pipe	1		
7	0280508160	Bolt	1		M8X12, SUB FOR 0280508120
8	0280508250	Bolt	1		M8X25, SUB FOR 0280808250

0-40 Fuel Injection System

TX1172248 E.1

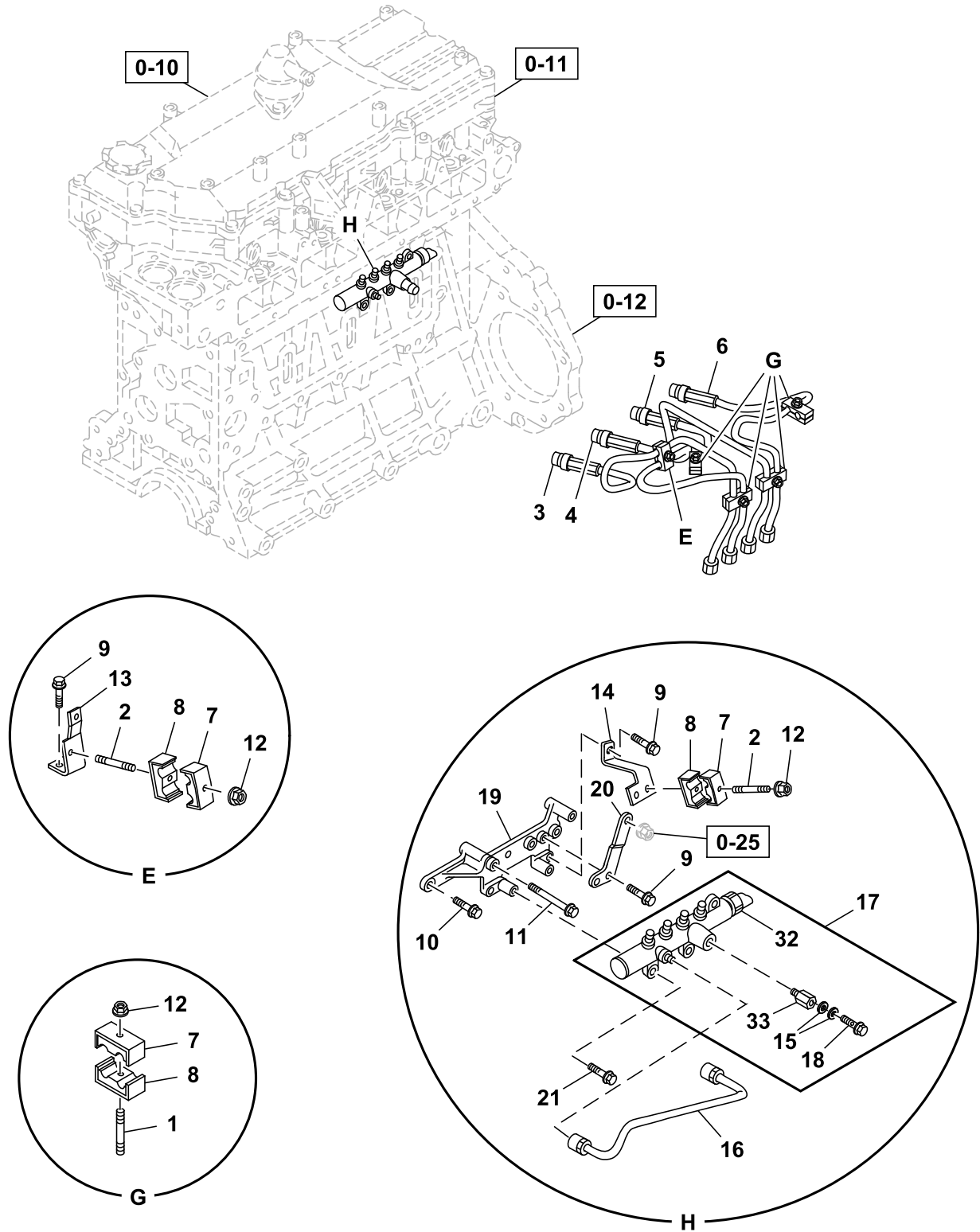


040A0151505_TX1172248

Key	Part No.	Part Name	Qty.	Serial No.	Remarks
1	8980817724	Pump	1		SUB FOR 8980817723, Components On Separate Page
2	8982384631	Electronic Unit Injector	4		
3	8980659920	Gasket	4		SUB FOR 8976009250, Also Included in Gasket Set (Engine and Head)
4	8980088950	Bolt	4		SUB FOR 8943909891
5	8973060810	Line	1		
6	8980792480	Gasket	4		SUB FOR 8976014472, Also Included in Gasket Set (Engine and Head)
7	8941734120	Gasket	4		Also Included in Gasket Set (Engine and Head)
8	8982365830	Bracket	1		
9	0286508300	Bolt	3		SUB FOR 8970297050
10	8980289991	Bracket	4		
11	1096750371	Bolt	4		
12	0956901110	Gasket	1		Also Included in Gasket Set (Engine and Head)
13	0911802140	Nut	1		
14	1156195070	Gasket	2		Also Included in Gasket Set (Engine)
15	8976022180	Gasket	2		Also Included in Gasket Set (Engine)
16	8982465671	Pipe	1		
17	8982446690	Fuel Rail	1		
18	8980358280	Eyebolt	1		SUB FOR 8980430330
19	8980318440	Gasket	1		SUB FOR 1096233000, Also Included in Gasket Set (Engine)
20	8981263320	Pipe	1		
21	8982365900	Bracket	1		
22	8980450081	Bracket	1		
23	0280508160	Bolt	1		SUB FOR 0280508120
24	8982007520	Bolt	1		
25	5157590030	Eyebolt	2		
26	1156195070	Gasket	2		Inlet
27	1156195070	Gasket	2		Outlet
28	8976016981	Gear	1		
29	8970392001	Gasket	1		Also Included in Gasket Set (Engine)
30	8976022180	Gasket	2		
31	8980358280	Eyebolt	1		SUB FOR 8980430330
32	8981387360	Sensor	1		Rail Pressure
33	8981386950	Pressure Switch	1		Rail Pressure

0-40 Fuel Injection Lines

TX1172249 D.1

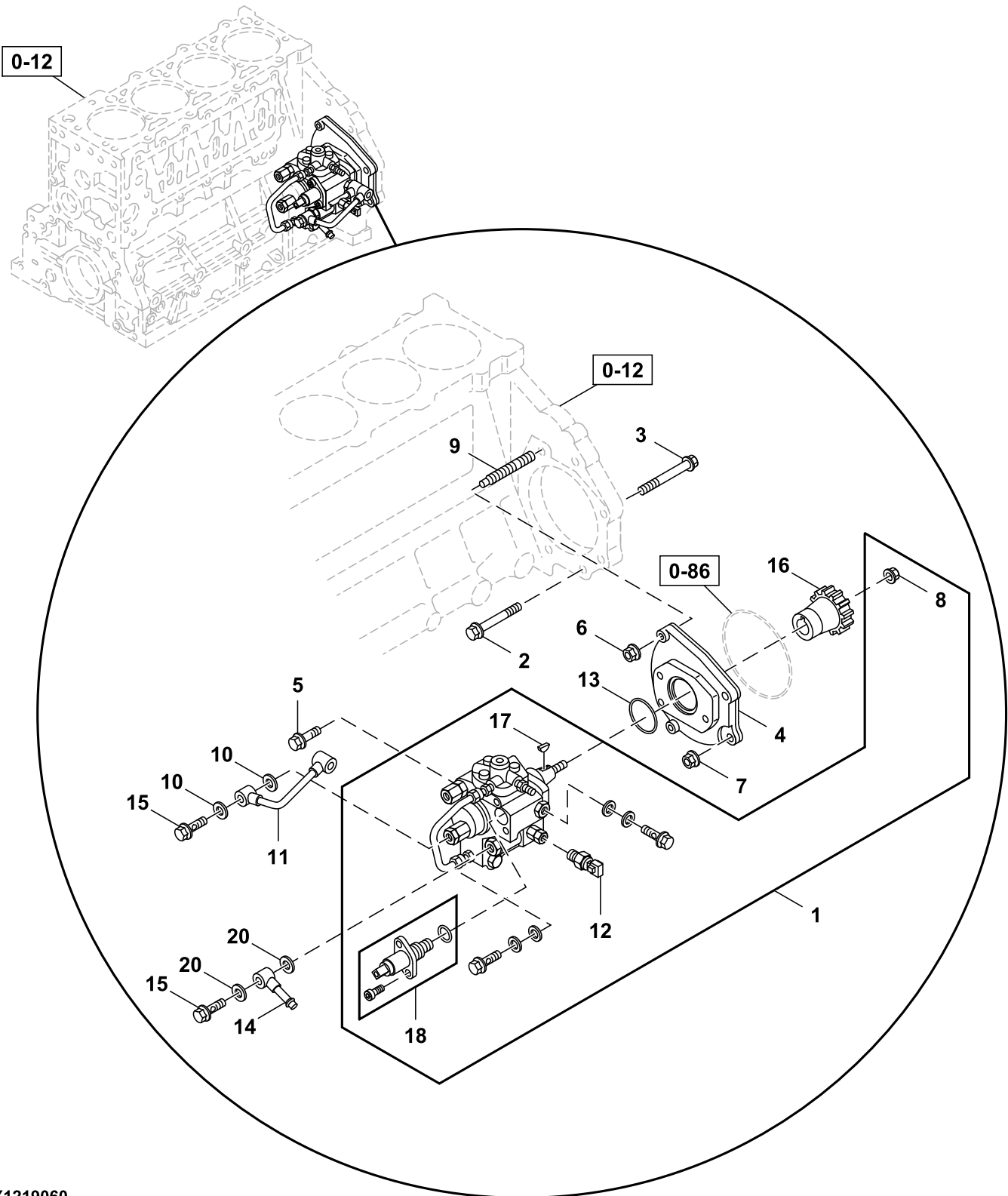


040A0351505_TX1172249

Key	Part No.	Part Name	Qty.	Serial No.	Remarks
1	0410106300	Stud	4		
2	8972032780	Stud	2		
3	8982373500	Pipe	1		
4	8982373510	Pipe	1		
5	8982373520	Pipe	1		
6	8982373530	Pipe	1		
7	8973301183	Clip	6		SUB FOR 8973301182
8	8973301193	Clip	6		SUB FOR 8973301192
9	0280508160	Bolt	3		M8X16, SUB FOR 0280508120
10	0280508250	Bolt	1		M8X25, SUB FOR 0280808250
11	0280808600	Bolt	1		M8X60, SUB FOR 0280508600, 8941583930 AND 8941583931
12	14M7303	Flange Nut	6		M6, SUB FOR 0911801060
13	8980010410	Bracket	1		Injection Pipe
14	8982373560	Bracket	1		Fuel Pipe
15	8976022180	Gasket	2		Also Included In Gasket Kit, Engine
16	8982373540	Pipe	1		
17	8982446690	Fuel Rail	1		
18	8980358280	Eyebolt	1		M14X26, SUB FOR 8980430330
19	8982365900	Bracket	1		Fuel Rail
20	8982373480	Bracket	1		Fuel Rail
21	0280508250	Bolt	3		M8X25, SUB FOR 0280808250
32	8981387360	Sensor	1		Rail Pressure
33	8981386950	Pressure Switch	1		Rail Pressure

0-40 Fuel Injection Pump and Support

TX1219060 B.1

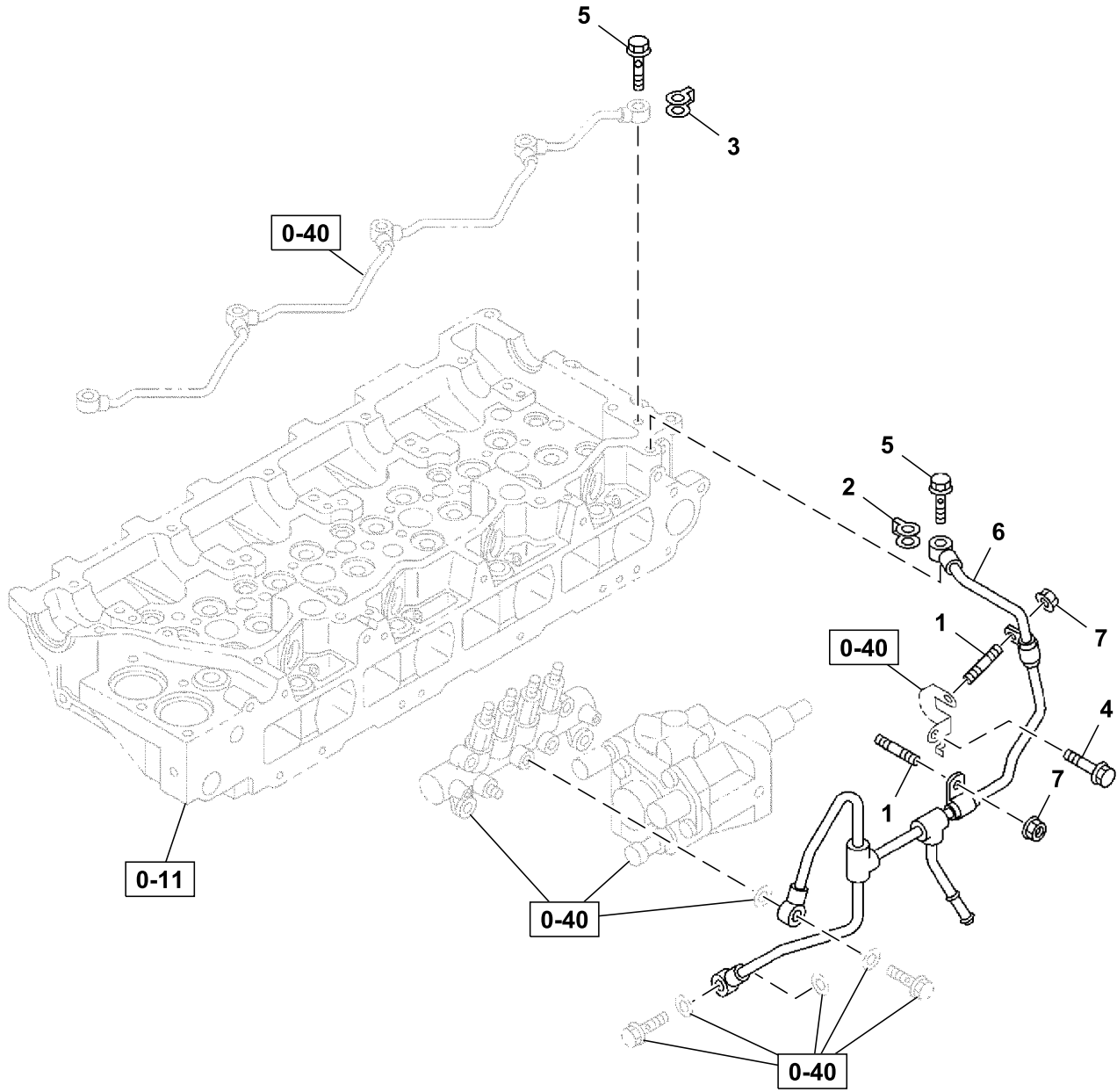


TX1219060

Key	Part No.	Part Name	Qty.	Serial No.	Remarks
1	8980817724	Pump	1		SUB FOR 8980817723, Fuel Injection
2	0281510500	Bolt	1		M10X50
3	0281512000	Bolt	1		M12X100
4	8982365830	Bracket	1		Fuel Pump
5	0286508300	Bolt	3		M8X30, SUB FOR 8970297050
6	0911801100	Nut	2		M10
7	0911802120	Nut	1		M12
8	0911802140	Nut	1		M14
9	8973632370	Stud	2		SUB FOR 8970663861
10	1156195070	Gasket	2		Also Included In Gasket Kit, Engine
11	8982465671	Pipe	1		Fuel Feed
12	8980235810	Fuel Temperature Sensor	1		SUB FOR 8972385960
13	8980318440	Gasket	1		SUB FOR 1096233000, Also Included In Gasket Kit, Engine
14	8981263320	Pipe	1		Fuel
15	5157590030	Eyebolt	2		
16	8976016981	Gear	1		
17	8981619950	Key	1		Drive Shaft
18	8981455010	Gasket Kit	1		SUB FOR 8981455011, Supply Pump Overhaul Kit
20	8983269400	Gasket	2		

0-42 Fuel Pump Line

TX1172252 A.1

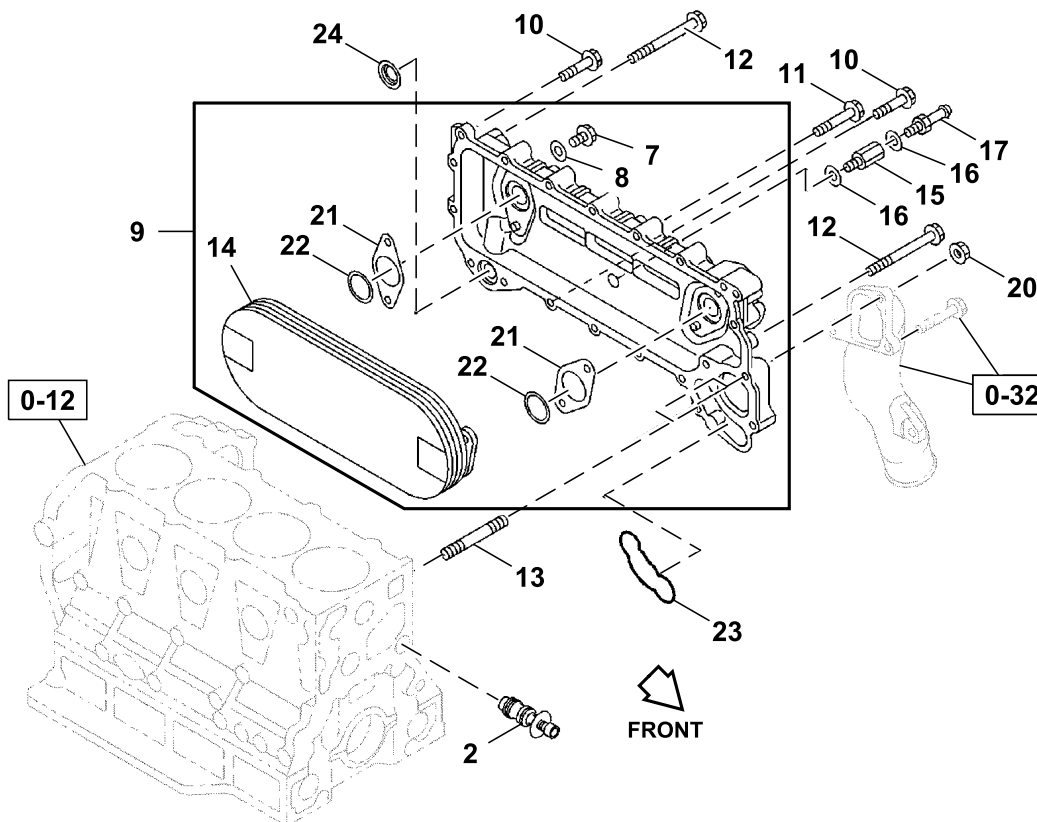
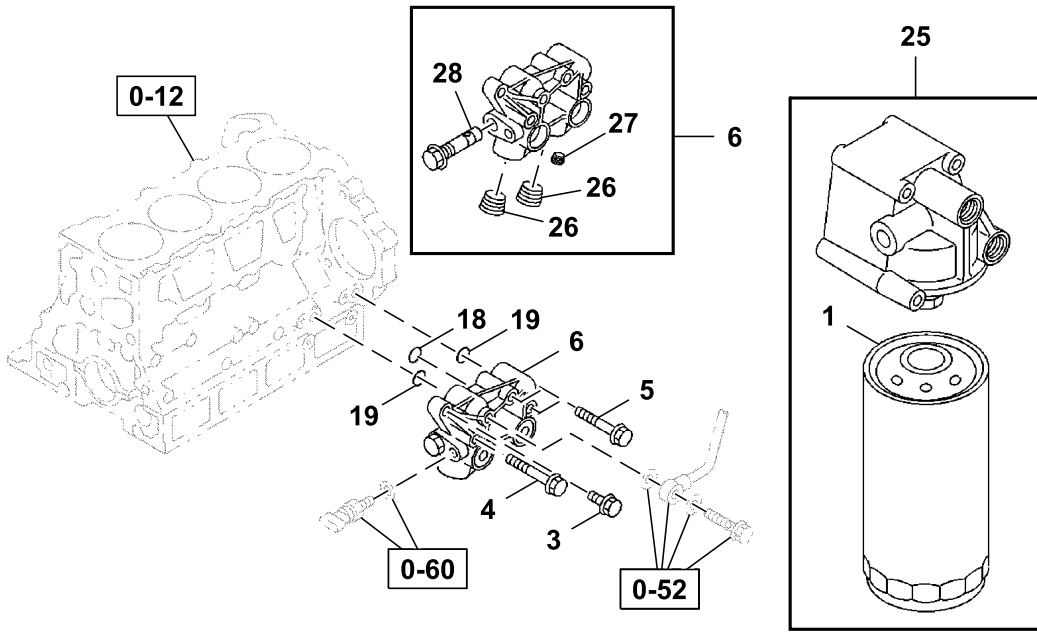


042A0151505_TX1172252

Key	Part No.	Part Name	Qty.	Serial No.	Remarks
1	14M7303	Flange Nut	2		M6, SUB FOR 0911801060
2	8982313930	Gasket	1		Also Included in Gasket Set (Engine and Head)
3	8980797550	Gasket	1		Also Included in Gasket Set (Engine and Head)
4	0280506120	Bolt	1		SUB FOR 0280806120
5	8943967110	Bolt	2		
6	8982373550	Pipe	1		
7	0410106120	Stud	2		

0-50 Engine Oil Cooler

TX1172389 A.1

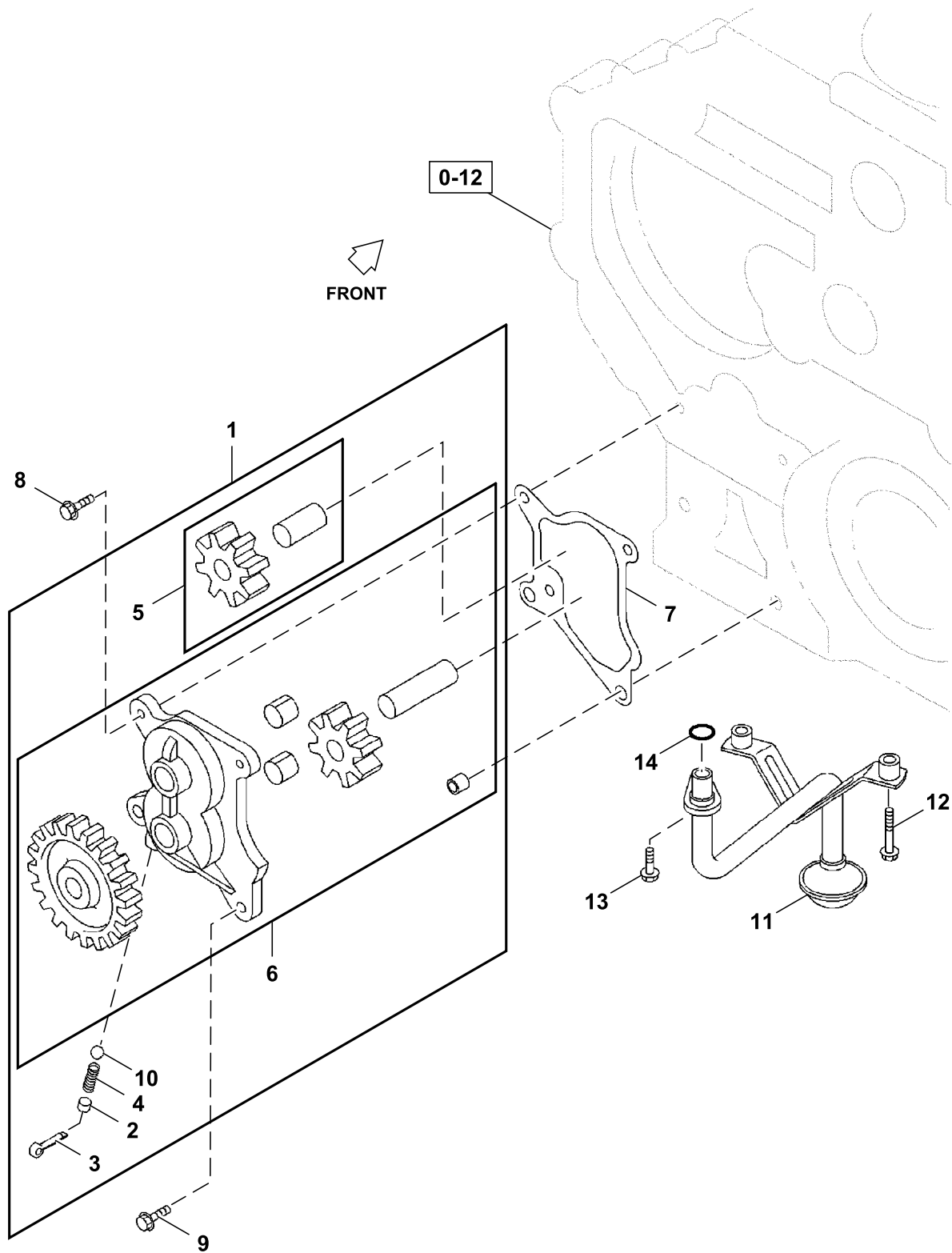


050A0151505_TX1172389

Key	Part No.	Part Name	Qty.	Serial No.	Remarks
1	8983758600	Filter Element	1		SUB FOR 8983020751, 8983020750R, 8983020750 AND 1132402322, Engine Oil Filter
2	8970135662	Valve	1		Bypass
3	0281510250	Bolt	1		M10X25
4	0281510000	Bolt	1		M10X100, SUB FOR 0281810000
5	0281510900	Bolt	2		M10X90
6	8981097111	Cover	1		Oil Port, SUB FOR 8981097110
7	8982704440	Bolt	4		M10X16
8	8981354640	Gasket	4		
9	8980690204	Oil Cooler	1		SUB FOR 8980690202 OR 8980690203
10	19M7866	Screw	8		M8 X 20, SUB FOR 0280508200 AND 0280808200
11	0280808400	Bolt	7		M8X40, SUB FOR 0280508400 AND AT259927
12	1090440730	Bolt	2		M8X75, SUB FOR 9029558750
13	8970163140	Stud	2		M8X52
14	8981227860	Core	1		Oil Cooler
15	8944619651	Adapter Fitting	1		Oil Cooler
16	1096301410	Gasket	2		Also Included In Gasket Kit, Engine
17	8981475390	Pipe	1		
18	8943993390	Gasket	1		SUB FOR 8943997130, Also Included In Gasket Kit, Engine
19	8943993990	Gasket	2		Also Included In Gasket Kit, Engine
20	0911801080	Nut	2		M8, SUB FOR 8940120390
21	8981227830	Gasket	2		
22	8981227840	Gasket	2		
23	8943388781	Gasket	1		Also Included In Gasket Kit, Engine
24	8980454470	Gasket	1		Also Included In Gasket Kit, Engine
25	8983758660	Oil Filter	1		SUB FOR 8983042430, 8983042431 OR 8973243861
26	1096050250	Pipe Plug	2		
27	5096050192	Pipe Plug	1		SUB FOR 1096050500, AT254812, 1096050502, 5096050190 AND 5096050191
28	1131600350	Pressure Relief Valve	1		

0-51 Engine Oil Pump And Strainer

TX1172390 A.1

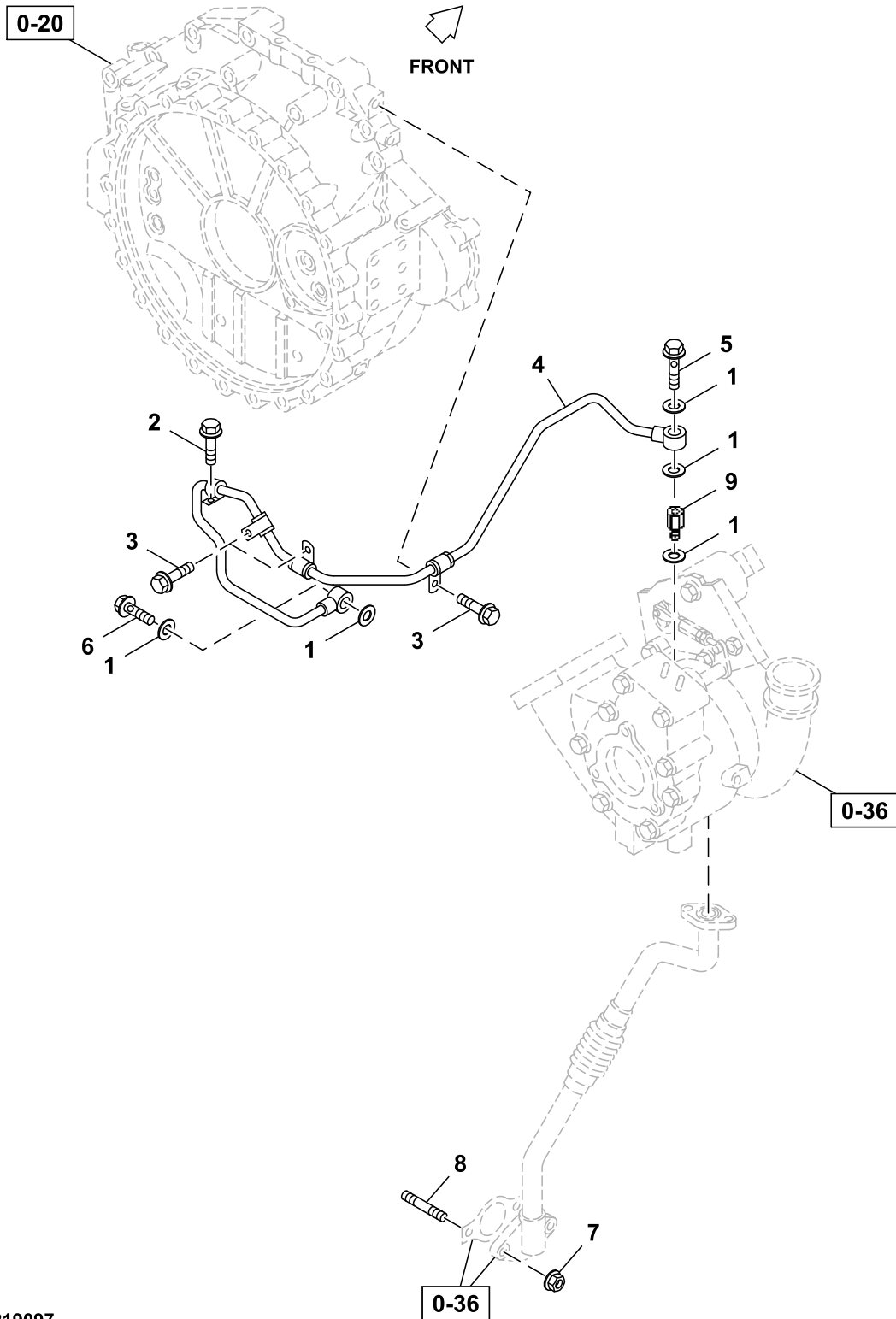


051A0151505_TX1172390

Key	Part No.	Part Name	Qty.	Serial No.	Remarks
1	1131003133	Oil Pump	1		SUB FOR 1131003132
2	5131650040	Plate	1		
3	0811240300	Pin	1		SUB FOR 9081040300 AND 9081140300
4	5095800980	Spring	1		
5	8943925590	Gear	1		
6	1131200902	Gear	1		SUB FOR 1131200901
7	1096236850	Gasket	1		Also Included In Gasket Kit, Engine
8	0280608250	Bolt	2		M8X25, SUB FOR 0280908250
9	0280908300	Bolt	2		M8X30, SUB FOR 0280608300
10	5098430030	Ball	1		
11	8981218760	Strainer	1		Oil Pump
12	0281510000	Bolt	2		M10X100, SUB FOR 0281810000
13	0280608160	Bolt	1		M8X16
14	8943993980	Gasket	1		SUB FOR 8971375010, Also Included In Gasket Kit, Engine

0-52 Engine Oil Vacuum Lines To Timing Gear Case and Flywheel

TX1219097 B.1

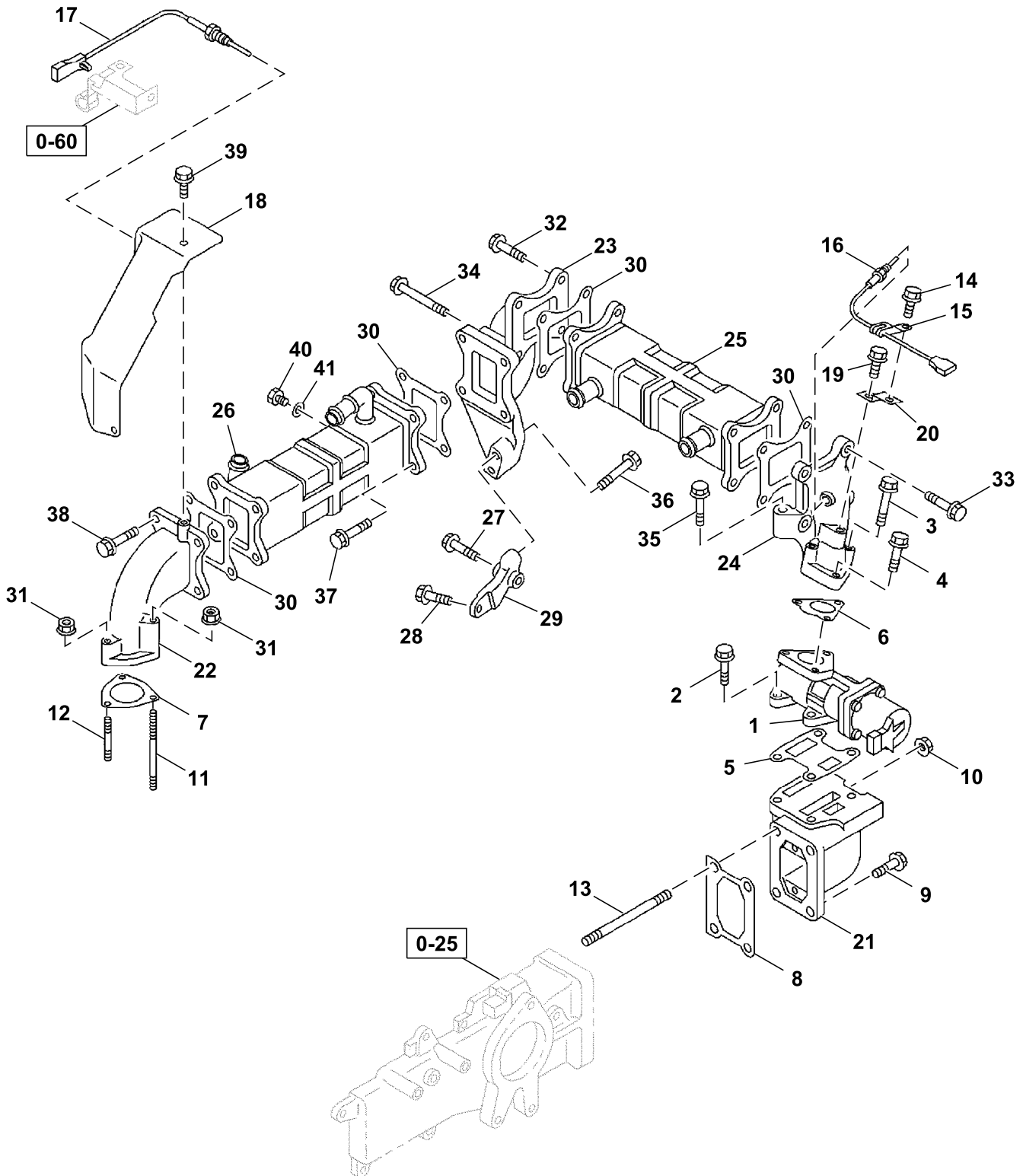


052A051505_TX1219097

Key	Part No.	Part Name	Qty.	Serial No.	Remarks
1	9095714100	Gasket	5		Also Included In Gasket Kit, Engine
2	0280508160	Bolt	1		SUB FOR 0280508120
3	0280908120	Bolt	3		SUB FOR 0280608120
4	8983341700	Pipe	1		
5	8944707710	Bolt	1		SUB FOR 8941077132
6	8980378230	Bolt	1		
7	0911801080	Nut	2		SUB FOR 8940120390
8	0410108200	Stud	2		SUB FOR 9041108200
9	8983341710	Adapter	1		

0-57 Exhaust Gas Recirculation (EGR)

TX1172392 A.1

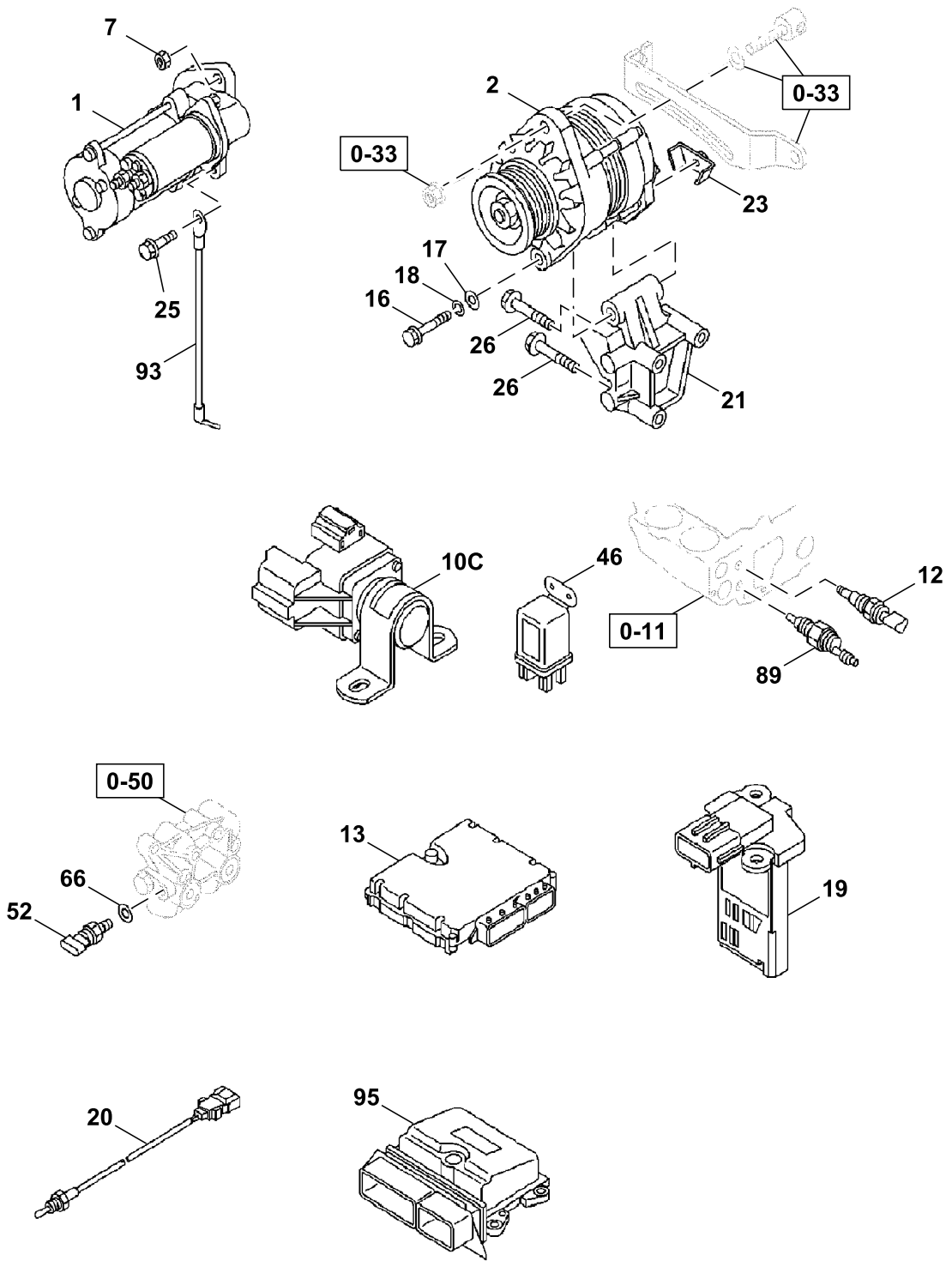


057A0151505_TX1172392

Key	Part No.	Part Name	Qty.	Serial No.	Remarks
1	8982391292	Valve	1		SUB FOR 8982391290, Exhaust Gas Recirculation (EGR)
2	0280508250	Bolt	4		SUB FOR 0280808250
3	0280808600	Bolt	2		SUB FOR 0280508600, 8941583930 AND 8941583931
4	0280808350	Bolt	1		SUB FOR 0280508350
5	8980010240	Gasket	1		Also Included in Gasket Set (Engine)
6	8980010230	Gasket	1		Also Included in Gasket Set (Engine)
7	8980461921	Gasket	1		SUB FOR 8980461920, Also Included in Gasket Set (Engine)
8	8973745170	Gasket	1		Also Included in Gasket Set (Engine)
9	0281810300	Bolt	2		SUB FOR 0281510300 AND 0281210300
10	0911801100	Nut	2		
11	8941558690	Stud	1		
12	8973780670	Stud	2		SUB FOR 8971045071
13	1093021590	Stud	2		SUB FOR 1093021070
14	0280508160	Bolt	1		SUB FOR 0280508120
15	8973679851	Clip	1		SUB FOR 8973679850
16	8980283980	Sensor	1		Temperature
17	8980309550	Sensor	1		Temperature
18	8982373460	Shield	1		
19	0286508200	Bolt	1		SUB FOR FYA00000690
20	8982373600	Bracket	1		
21	8981217690	Air Duct	1		SUB FOR 8980010220
22	8982365740	Tube	1		
23	8981232511	Air Duct	1		
24	8982365750	Tube	1		
25	8981078574	Heat Exchanger	1		SUB FOR 8981078573
26	8981222262	Heat Exchanger	1		SUB FOR 8981222261
27	0281512600	Bolt	1		SUB FOR 0281812600
28	0286608250	Bolt	1		SUB FOR 0286908250
29	8981727350	Bracket	1		
30	8982007530	Gasket	4		Also Included in Gasket Set (Engine)
31	14M7298	Flange Nut	3		M8, SUB FOR 8970614011
32	0280508300	Bolt	2		
33	0280808350	Bolt	4		SUB FOR 0280508350
34	0280508900	Bolt	2		SUB FOR 0280808900
35	0281510500	Bolt	1		
36	0281510700	Bolt	2		
37	0583308300	Bolt	4		
38	8980435280	Bolt	4		
39	8973780750	Bolt	4		SUB FOR 8943126991
40	8980727120	Plug	1		
41	9095714100	Gasket	1		Also Included in Gasket Set (Engine)

0-60 Engine Electrical Control Parts

TX1219123 A.1

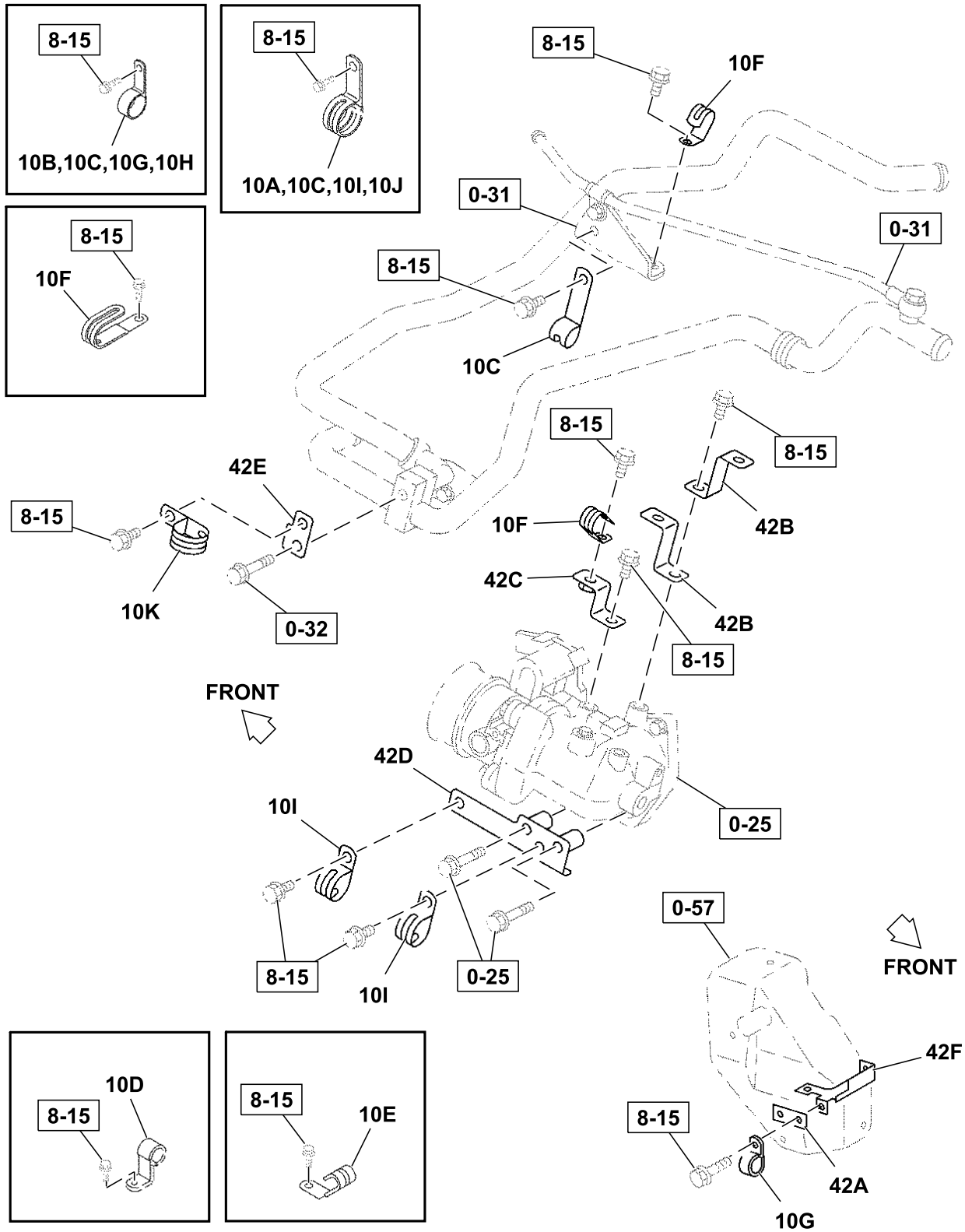


060A0151505_TX1219123

Key	Part No.	Part Name	Qty.	Serial No.	Remarks
1	8980703211	Starter Motor	1		Starter
2	8980921162	Alternator	1		SUB FOR 8980921161, Alternator
7	0911802120	Nut	2		
10C	8980056311	Relay	1		Starter
12	8981566480	Sensor	1		Glow Plug
13	8983257960	Engine Controller	1		Engine Control Unit (ECU)
16	1090001331	Bolt	1		
17	0916105140	Washer	1		
18	0915105140	Washer	1		
19	4664861	Sensor	1		SUB FOR 8976019670, Mass Air Flow (MAF)
20	8973811820	Sensor	1		Intake Air Temperature
21	8973628441	Bracket	1		
23	1197110290	Nut	1		
25	0280610200	Bolt	1		
26	0281510800	Bolt	3		
46	8944607061	Relay	1		Glow Plug
52	8980274560	Sensor	1		Pressure
66	8982513450	Packing	1		
89	4371318	Switch	1		SUB FOR 8971256011, Overheating Warning
93	9829322110	Cable	1		Starter
95	8983258091	Engine Controller	1		SUB FOR 8983258090 AND FYA00046943, Diesel Exhaust Fluid (DEF) Dosing Control Unit (DCU)

0-60 Engine Electrical Control Parts, Hardware

TX1219124 A.1

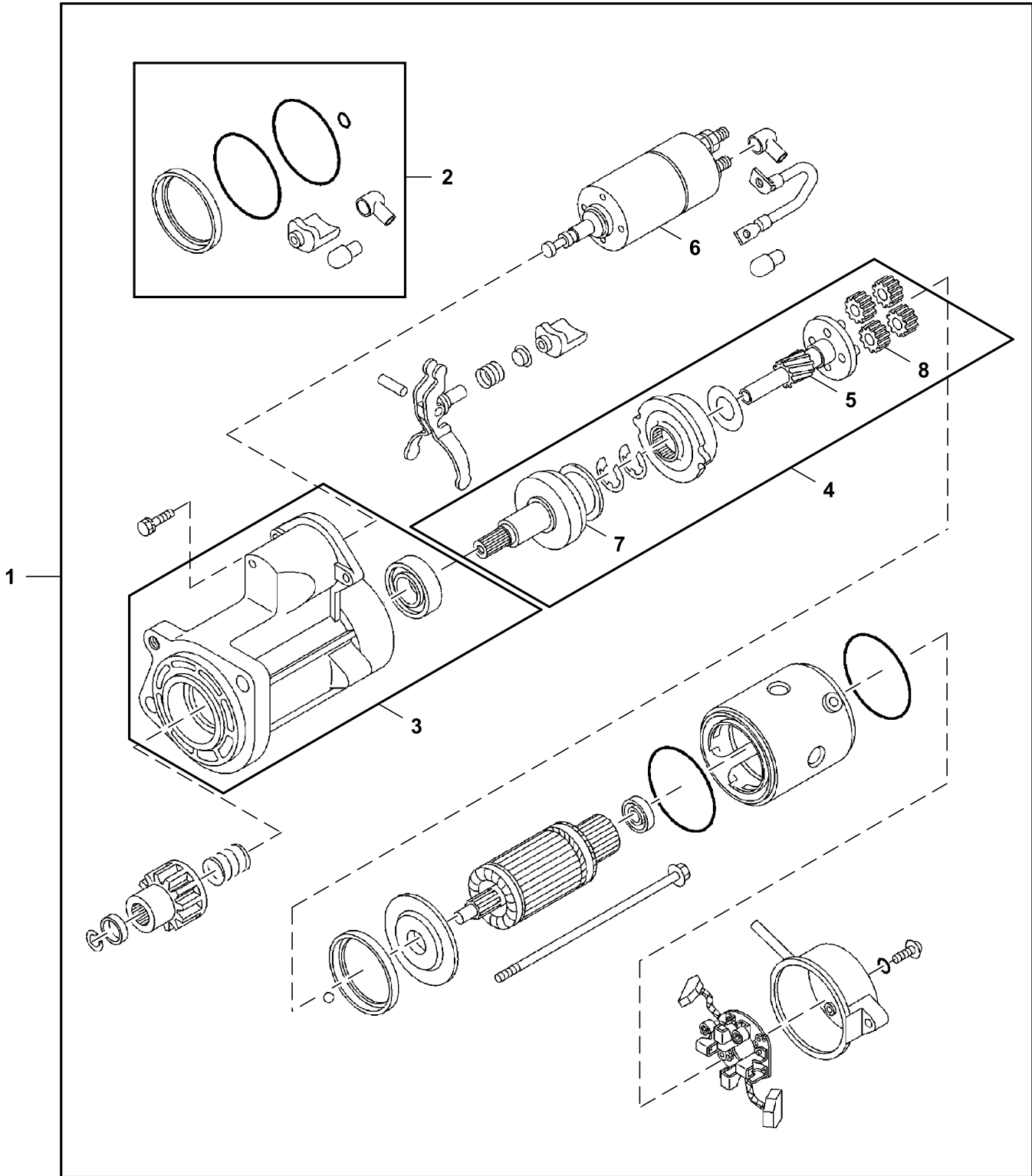


060A0251505_TX1219124

Key	Part No.	Part Name	Qty.	Serial No.	Remarks
10A	1097006071	Clip	1		(ID=28 L=30)
10B	0952348950	Clip	1		(ID=9 L=60)
10C	0952358960	Clip	1		(ID=19 L=60)
10D	1097009911	Clip	1		(ID=21 L=30 H=40)
10E	8973679841	Clip	4		(ID=12)
10F	8973679851	Clip	2		(ID=18 L=44)
10G	0952355360	Clip	1		(ID=16 L=20)
10H	0952358560	Clip	3		(ID=19 L=28)
10I	1097012360	Clip	2		(ID=26 L=26)
10J	1097007661	Clip	1		(ID=24 L=32)
10K	1097012610	Clip	1		(ID=28 L=40)
10L	8976155680	Clip	1		(ID=35 H=45 L=33)
42A	1826992390	Bracket	1		
42B	1474766580	Bracket	3		
42C	1474781130	Bracket	1		
42D	8982373590	Bracket	1		
42E	8982373600	Bracket	1		
42F	8982390810	Bracket	1		

0-65 Starter Components

TX1172396 A.1

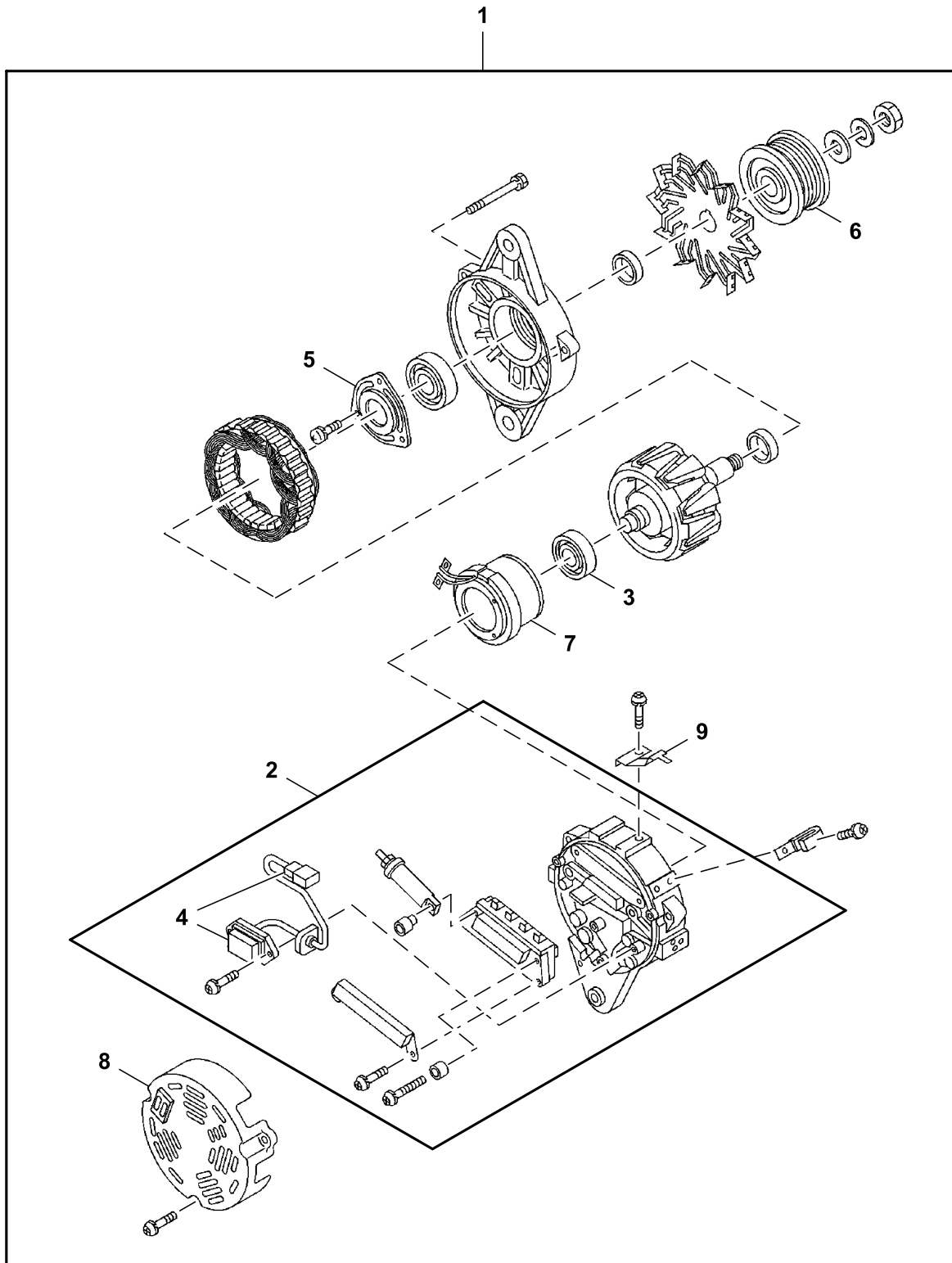


065A0151505_TX1172396

Key	Part No.	Part Name	Qty.	Serial No.	Remarks
1	8980703211	Starter Motor	1		24 V ? 5.0 KW
2	8980171480	Seal Kit	1		Starter
3	8980739300	Housing	1		
4	8980703240	Clutch	1		
5	8980703260	Shaft	1		
6	8980171450	Solenoid	1		Engage Starter
7	8980703250	Clutch	1		
8	8980540640	Gear	4		

0-66 Alternator Components

TX1172397 A.1

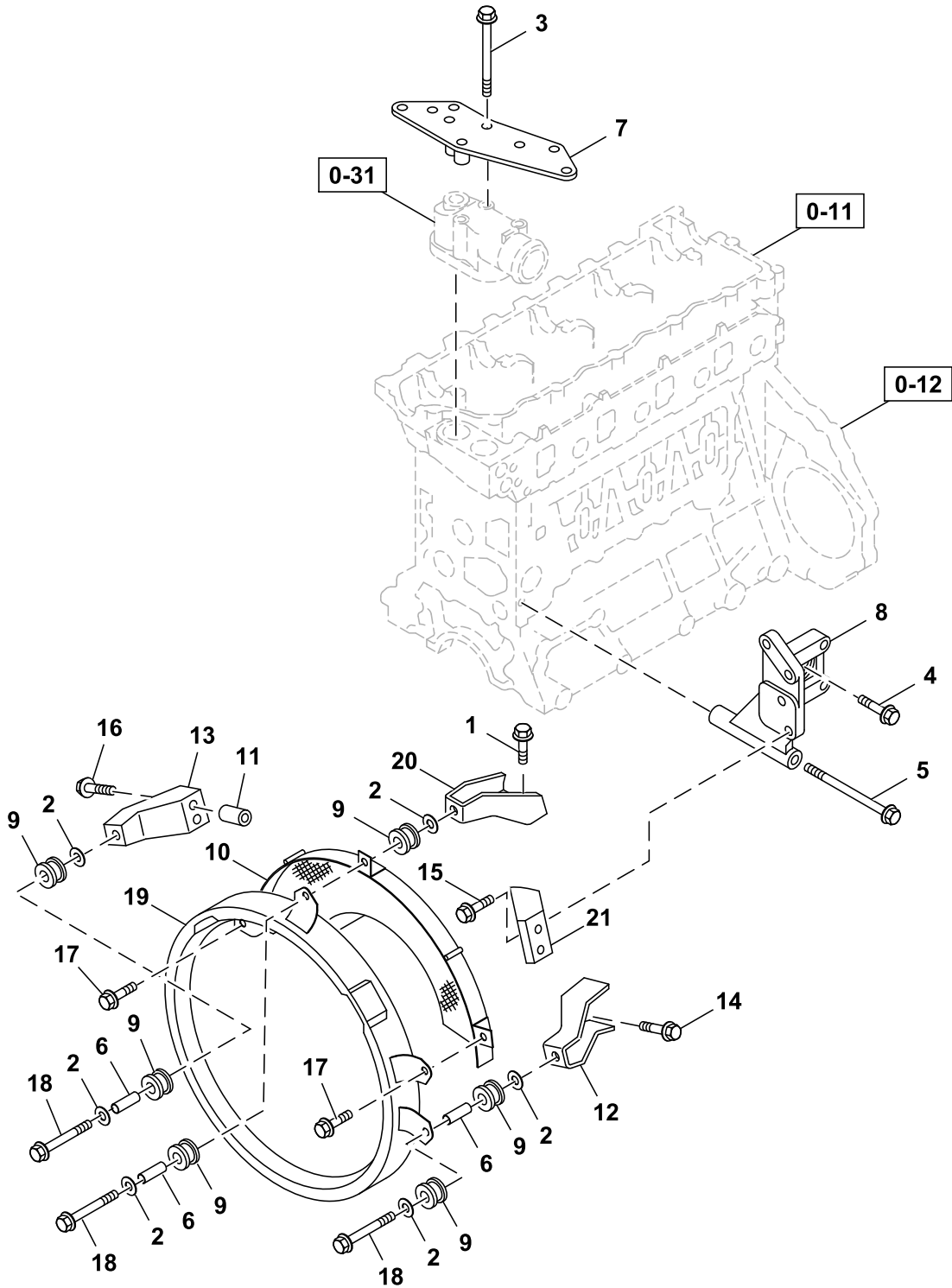


066A0151505_TX1172397

Key	Part No.	Part Name	Qty.	Serial No.	Remarks
1	8980921162	Alternator	1		24 V ? 50 A; SUB FOR 8980921161
2	8981318050	Cover	1		
3	1812297230	Bearing	1		
4	8980923990	Regulator	1		Voltage
5	1812297601	Retainer	1		SUB FOR 8973829730
6	8973828730	Pulley	1		
7	8980362950	Coil Kit	1		
8	8973828821	Cover	1		
9	8970290590	Holder	1		

1-10 Fan Shroud

TX1190160 B.1

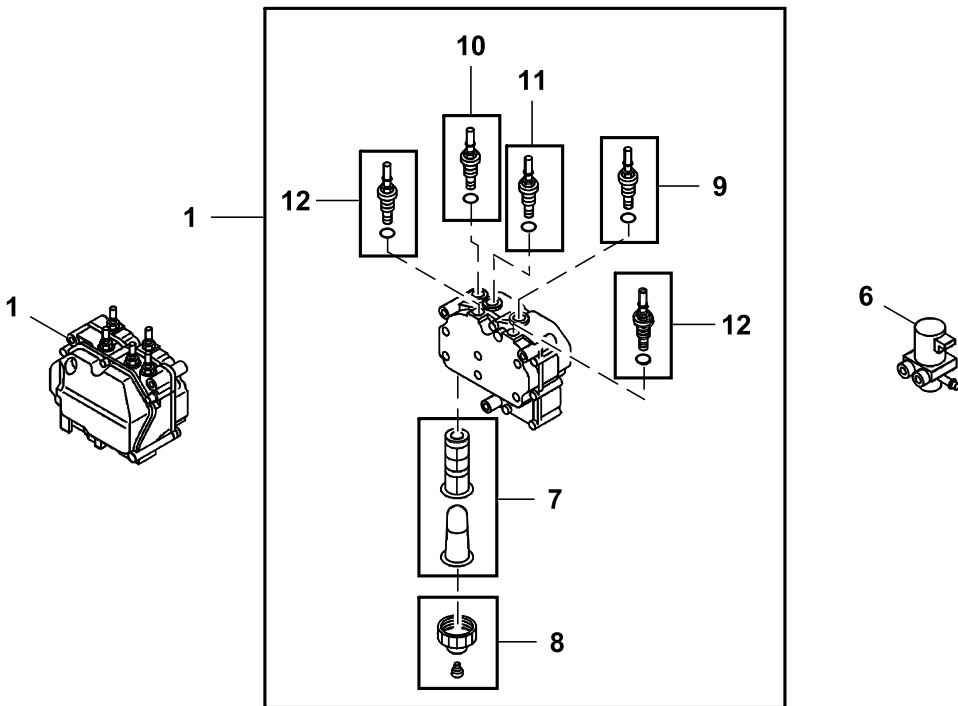
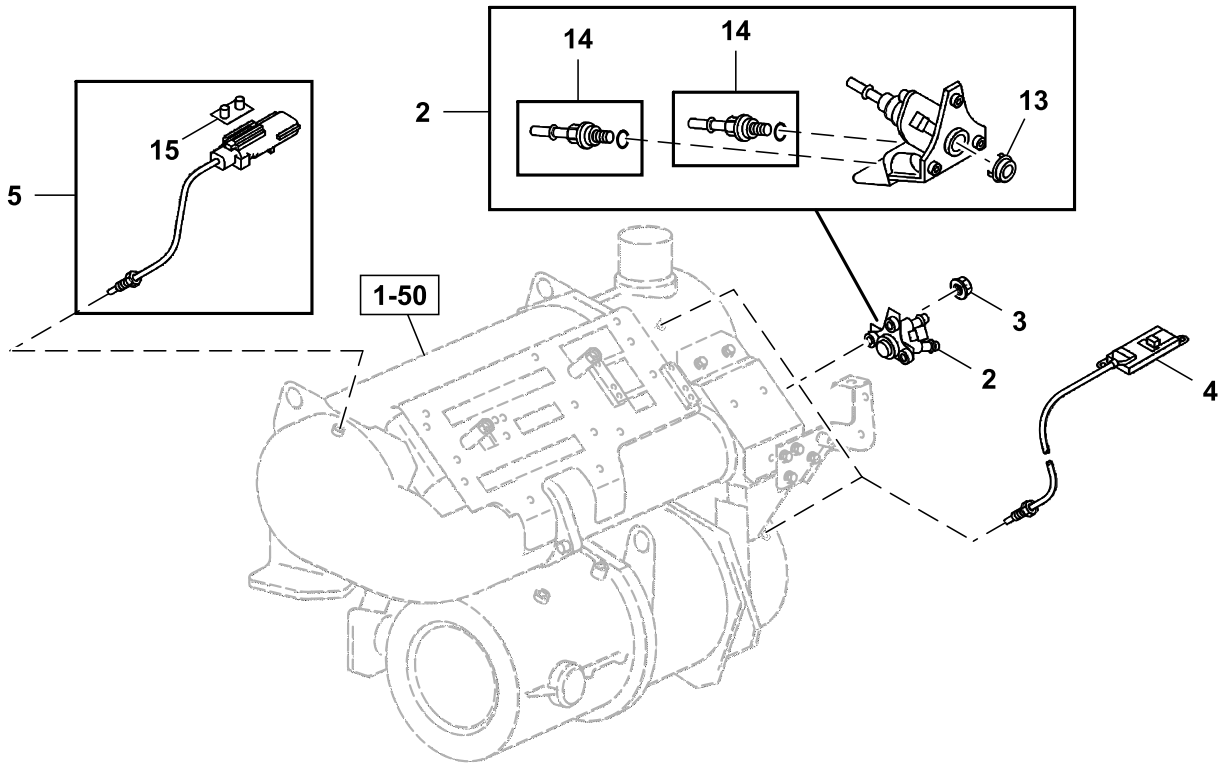


110A0351505_TX1190160

Key	Part No.	Part Name	Qty.	Serial No.	Remarks
1	0286510250	Bolt	2		M10X25
2	0916147100	Washer	6		
3	0280558110	Bolt	4		M8X110
4	0280508600	Bolt	1		M8X60
5	0281560130	Bolt	1		M10X130
6	8982266410	Spacer	3		
7	8983578410	Bracket	1		SUB FOR 8973716540
8	8981744730	Bracket	1		
9	8981821551	Guide	6		
10	8980120093	Shield	1		Fan
11	9512496040	Spacer	2		OD=19
12	8981744720	Bracket	1		
13	8973759110	Bracket	1		
14	0280510200	Bolt	2		M10X20
15	0286510200	Bolt	2		M10X20
16	0280510350	Bolt	2		M10X35
17	0280510200	Bolt	2		M10X20
18	0280510500	Bolt	3		M10X50
19	8982024750	Shroud	1		Fan
20	8981744720	Bracket	1		
21	1215594510	Bracket	1		

1-46 Diesel Exhaust Fluid (DEF) Supply Module and Dosing Injector

TX1172399 B.1

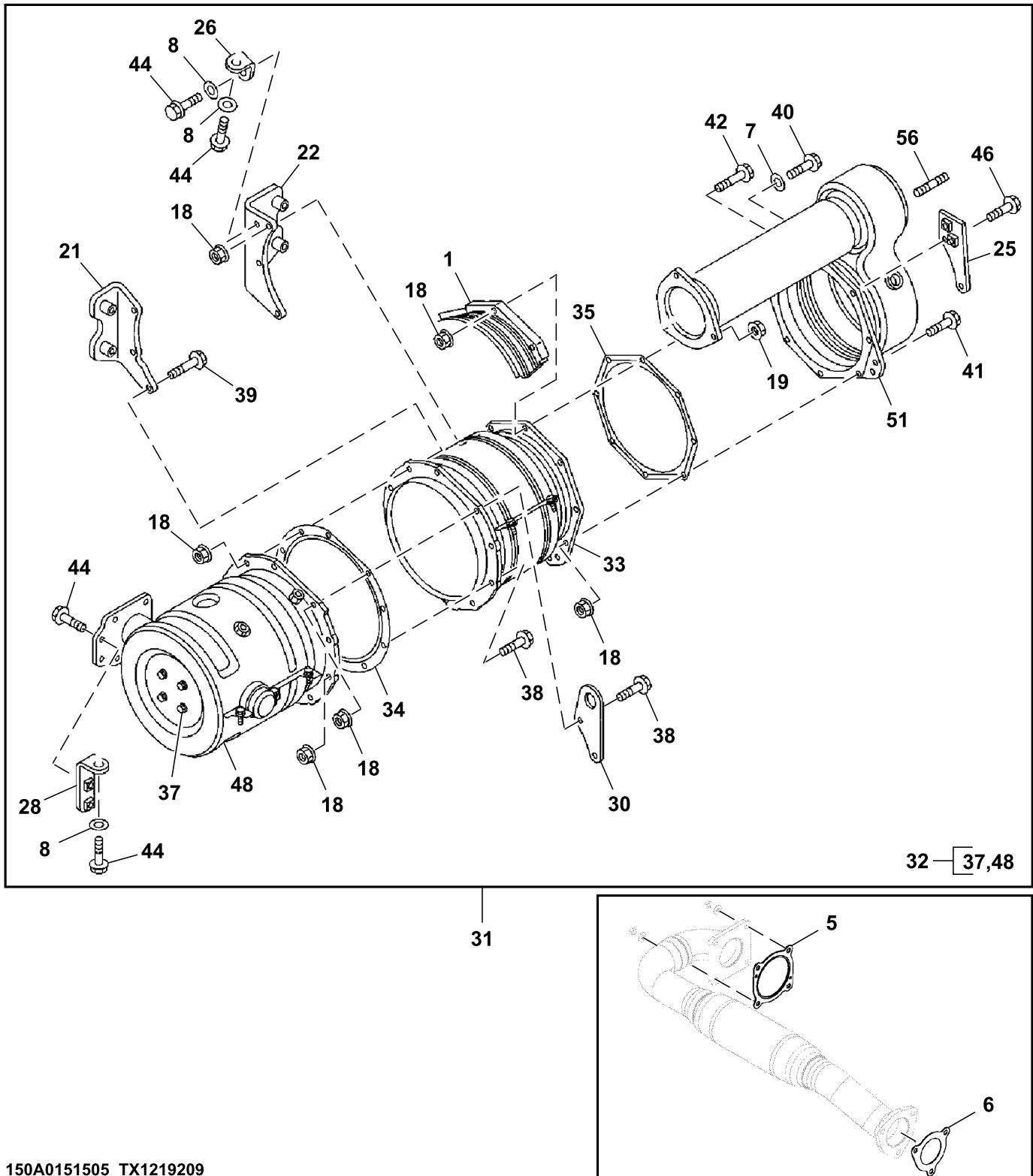


146A0151505_TX1172399

Key	Part No.	Part Name	Qty.	Serial No.	Remarks
1	8982264732	Module	1		SUB FOR 8982264731, Diesel Exhaust Fluid (DEF) Supply Module
2	8982318982	Module	1		Diesel Exhaust Fluid (DEF) Dosing Injector, SUB FOR 8982318980 AND 8982318981
3	14M7303	Flange Nut	3		M6, SUB FOR 0911801060
4	8983023940	Sensor	2		Nitrogen Oxide (NOx)
5	8980863290	Sensor	1		Exhaust Temperature Sensor, Diesel Oxidation Catalyst (DOC)
6	8976289561	Valve	1		Diesel Exhaust Fluid (DEF) Heating Valve
7	8983507160	Filter Kit	1		SUB FOR 8981694030
8	8981694080	Cover Kit	1		
9	8981694090	Fitting	1		Inlet Pump
10	8981694110	Fitting	1		Outlet Pump
11	8982688130	Fitting	1		SUB FOR 8981694120, Return Pump
12	8981694141	Fitting	2		Coolant Pump
13	8980863330	Gasket	1		
14	8981694161	Fitting	2		
15	8981703310	Clip	1		

1-50 Diesel Oxidation Catalyst (DOC) and Muffler

TX1219209 B.1

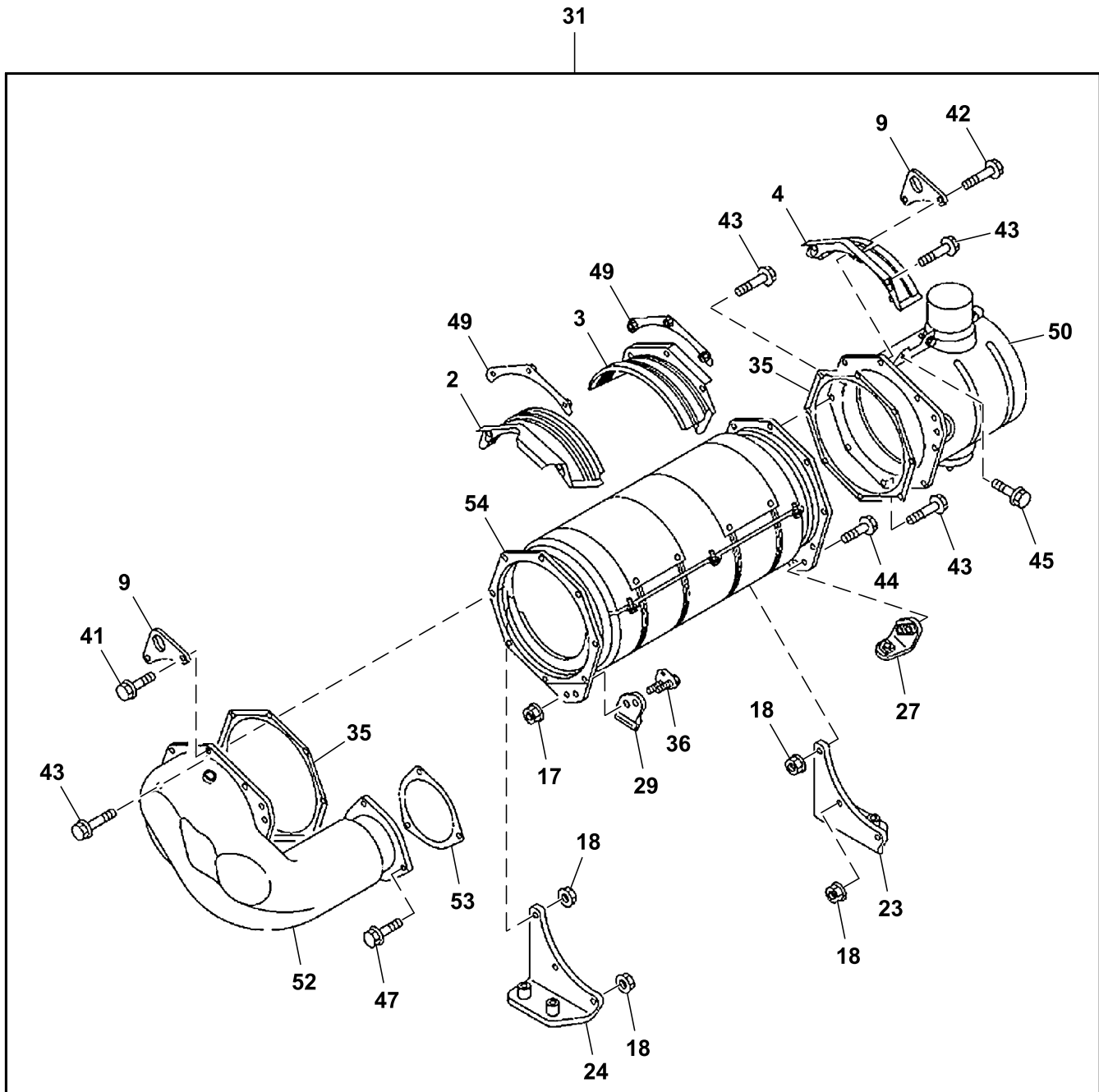


150A0151505_TX1219209

Key	Part No.	Part Name	Qty.	Serial No.	Remarks
1	8982683430	Shield	1		
5	8943925532	Gasket	1		Exhaust Pipe To Manifold
6	4664929	Gasket	1		SUB FOR 8973767580, Exhaust Pipe To Manifold
7	24M3739	Washer	1		8 X 15 X 2 mm, SUB FOR 0916146080
8	0916147100	Washer	3		
18	14M7298	Flange Nut	6		M8, SUB FOR 8970614011
19	8970961921	Nut	3		M10
21	8982373630	Bracket	1		
22	8982373650	Bracket	1		
25	8982373890	Bracket	1		
26	8982377310	Bracket	1		
28	8982377330	Bracket	1		
30	8982378250	Bracket	1		
31	Converter	1		8983244460 AND FYA00046935 NLA, Furnish Components, Additional Components On Separate Pages
32	8982705480	Diesel Oxidation Catalyst	1		DOC
33	8982389240	Filter	1		
34	8976110800	Gasket	1		
35	8976282570	Gasket	1		
37	0280506120	Bolt	4		M6X12
38	0280608350	Bolt	2		M8X35
39	0280608450	Bolt	1		M8X45
40	0109608350	Bolt	1		M8X35
41	0280608400	Bolt	1		M8X40
42	0280608450	Bolt	3		M8X45
44	0280610350	Bolt	5		M10X35
46	0280608350	Bolt	1		M8X35
48	8981525131	Shield	1		
51	8982705440	Muffler	1		
56	8981413510	Stud	3		

1-50 Selective Catalytic Reduction (SCR)

TX1219226 A.1

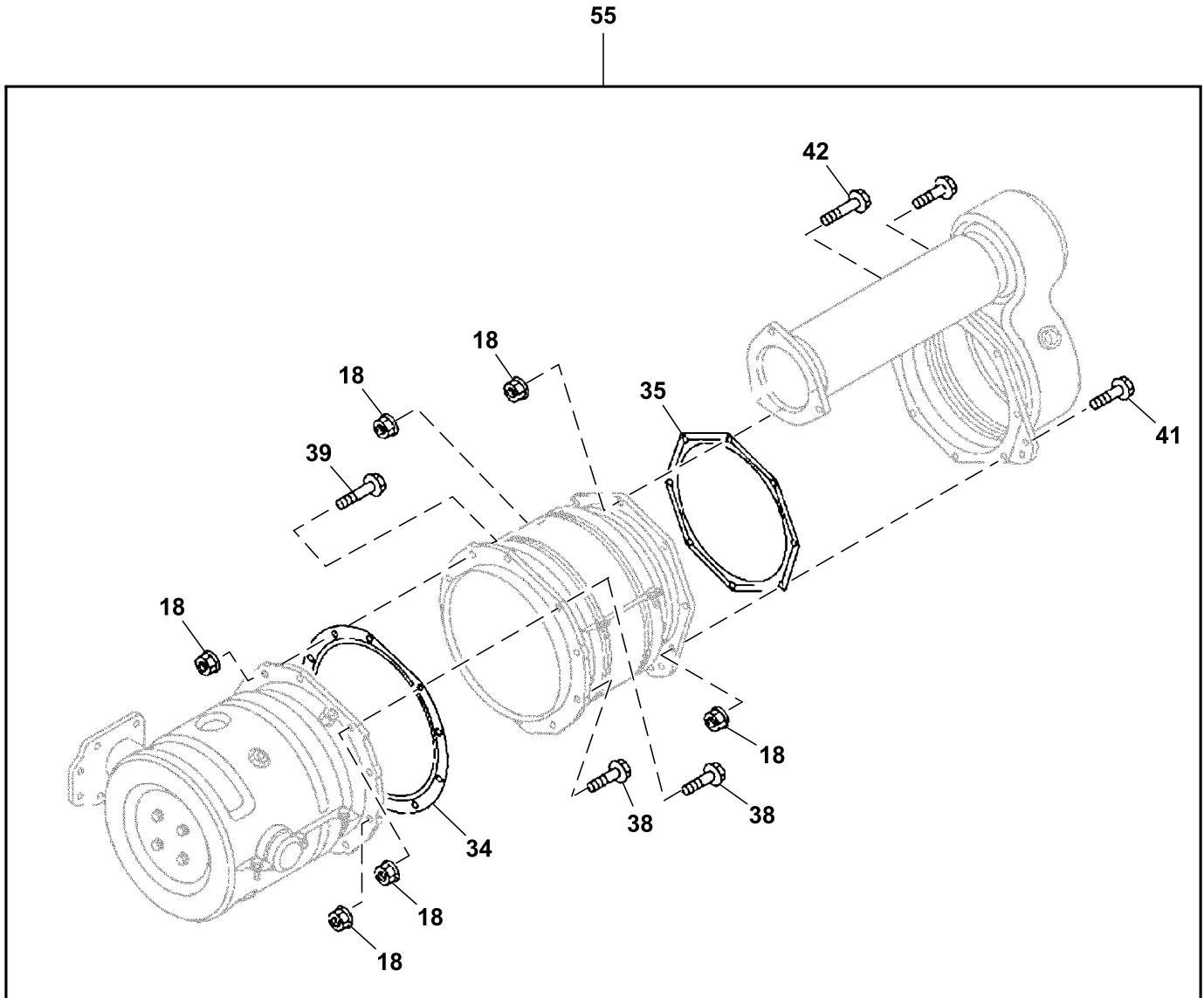


150A0251505_TX1219226

Key	Part No.	Part Name	Qty.	Serial No.	Remarks
2	8982683440	Shield	1		
3	8982683450	Shield	1		
4	8982683460	Shield	1		
9	8982705810	Hanger	2		
17	0911802100	Nut	2		
18	14M7298	Flange Nut	10		M8, SUB FOR 8970614011
23	8982373660	Bracket	1		
24	8982373670	Bracket	1		
27	8982377320	Bracket	1		
29	8982377350	Bracket	1		
31	Converter	1		8983244460 AND FYA00046935 NLA, Furnish Components, Additional Components On Separate Pages
36	8980059850	Plate	1		
42	0280608450	Bolt	2		
43	0280608500	Bolt	4		
44	0280610350	Bolt	3		
45	8980191790	Bolt	1		
47	0280610400	Bolt	3		
49	8982683470	Plate	2		
50	8983244480	Muffler	1		
52	8982705450	Muffler	1		
53	8981184221	Gasket	1		
54	8982705500	Catalytic Muffler	1		

1-50 Exhaust System Hardware

TX1219227 C.1

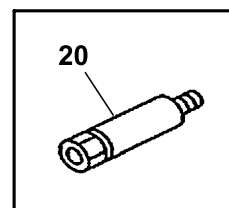
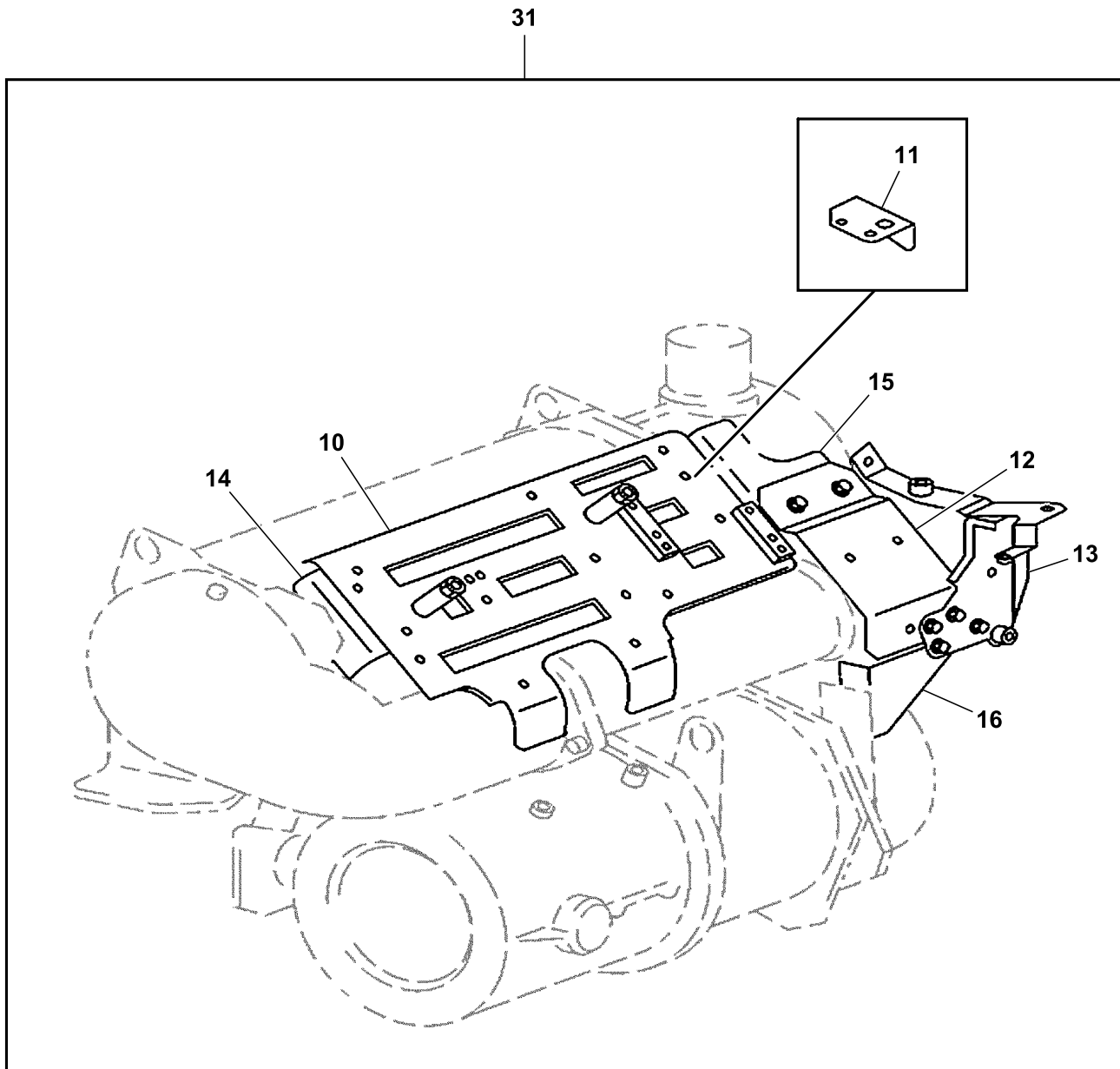


150A0151505_TX1219227

Key	Part No.	Part Name	Qty.	Serial No.	Remarks
18	14M7298	Flange Nut	8		
34	8976110800	Gasket	1		M8, SUB FOR 8970614011
35	8976282570	Gasket	3		
38	0280608350	Bolt	4		
39	0280608450	Bolt	3		
41	0280608400	Bolt	5		
42	0280608450	Bolt	3		
55	1878315461	Gasket	1		SUB FOR 1878315460

1-50 Exhaust System Bracket

TX1219228 A.1

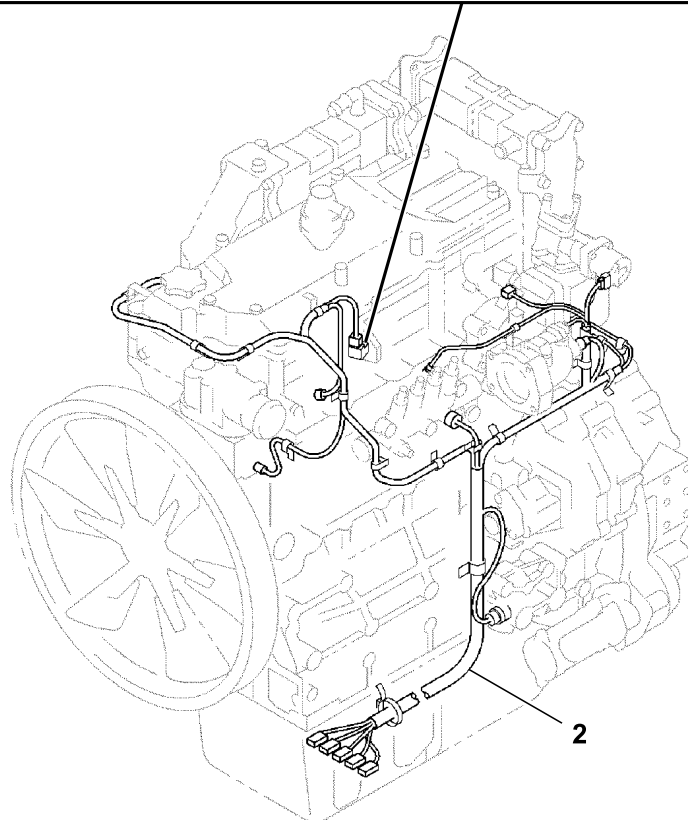
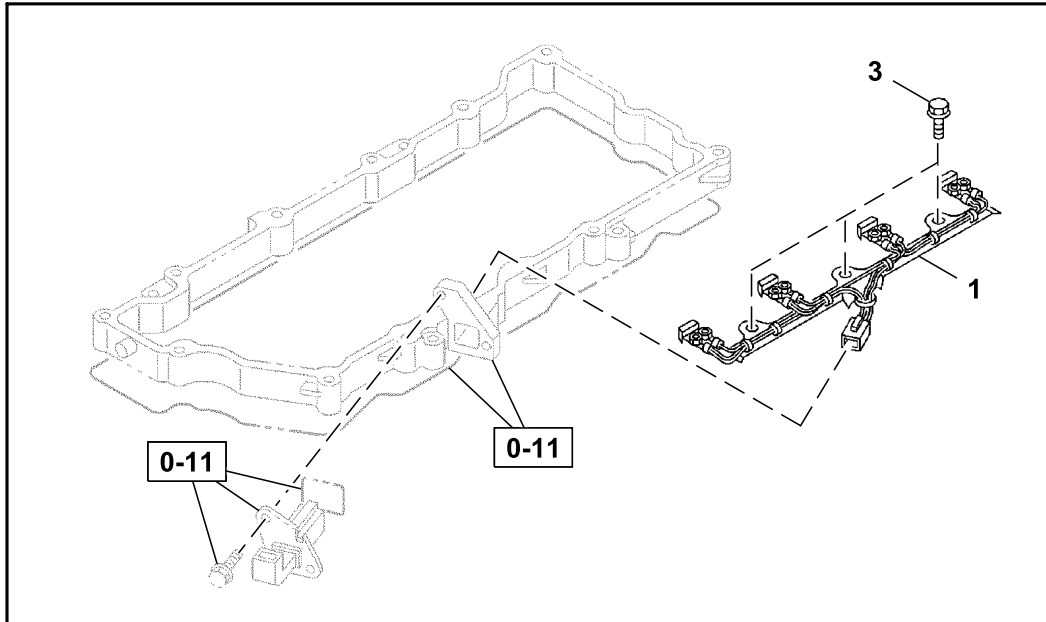


150A0351505_TX1219228

Key	Part No.	Part Name	Qty.	Serial No.	Remarks
10	8983338791	Bracket	1		
11	8983338780	Bracket	1		
12	8983338910	Bracket	1		
13	8982824391	Bracket	1		
14	8983338770	Bracket	1		
15	8983338920	Bracket	1		
16	8982373882	Bracket	1		
20	8983055680	Spacer	2		
31	Converter	1		8983244460 AND FYA00046935 NLA, Furnish Components, Additional Components On Separate Pages

8-10 Engine Wiring Harness

TX1172403 A.1

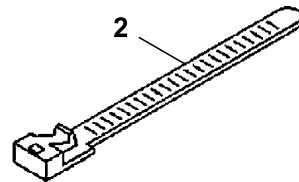
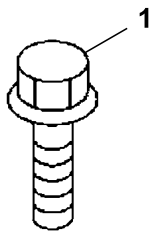


810A0151505_TX1172403

Key	Part No.	Part Name	Qty.	Serial No.	Remarks
1	8973321333	Wiring Harness	1		Injector
2	8983718270	Wiring Harness	1		SUB FOR 8982373583, Engine Wiring Harness
3	8973654490	Bolt	3		SUB FOR 8943998631

8-15 Engine Wiring Harness Mounting Hardware

TX1172404 A.1

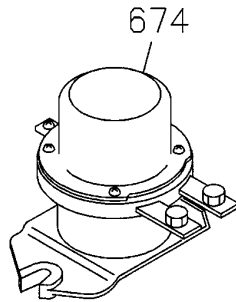


815A0151505_TX1172404

Key	Part No.	Part Name	Qty.	Serial No.	Remarks
1	0280508120	Bolt	6		M8X12
	0280508160	Bolt	9		M8X16
	19M7866	Screw	3		M8 X 20, , SUB FOR 0280508200 AND 0280808200
2	0281510160	Bolt	1		M10X16, SUB FOR 0281810160
	R44302	Tie Band	5		L=140, SUB FOR 5097070311
	H77698	Tie Band	3		L=250, SUB FOR 5097070301

8-25 Battery Relay

825A0151274 A.1

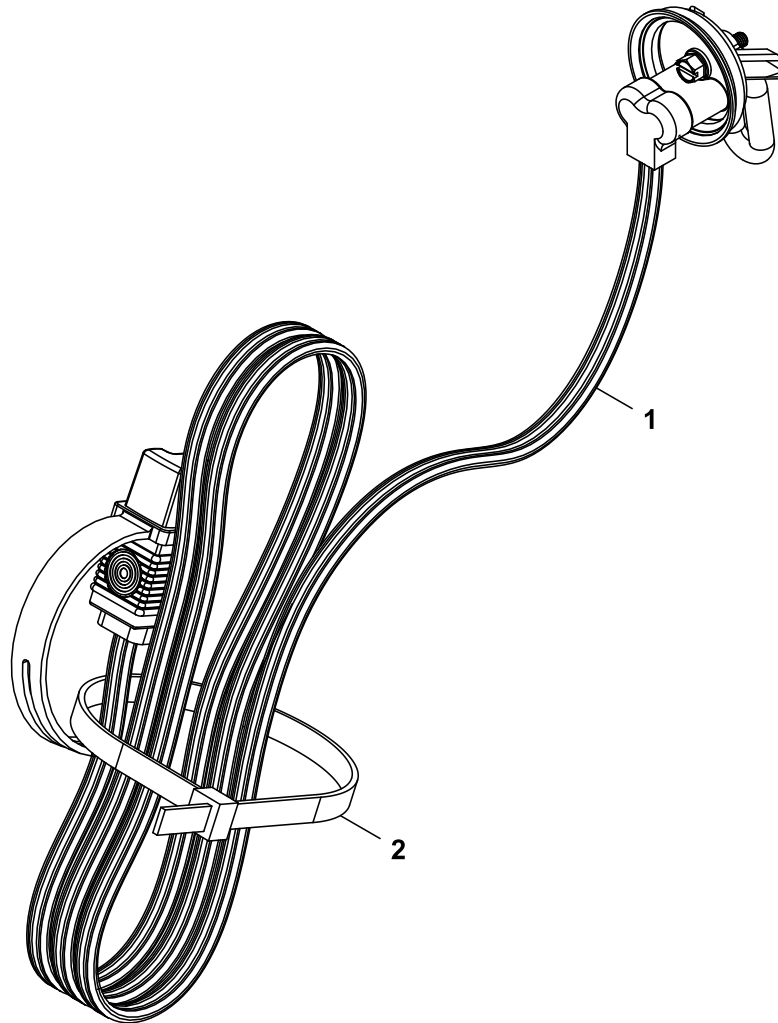


825A0151274

<i>Key</i>	<i>Part No.</i>	<i>Part Name</i>	<i>Qty.</i>	<i>Serial No.</i>	<i>Remarks</i>
674	4255762	Relay	1		SUB FOR 8943795431, Battery

Engine Block Coolant Heater (340457 -)

TX1249790 A.1

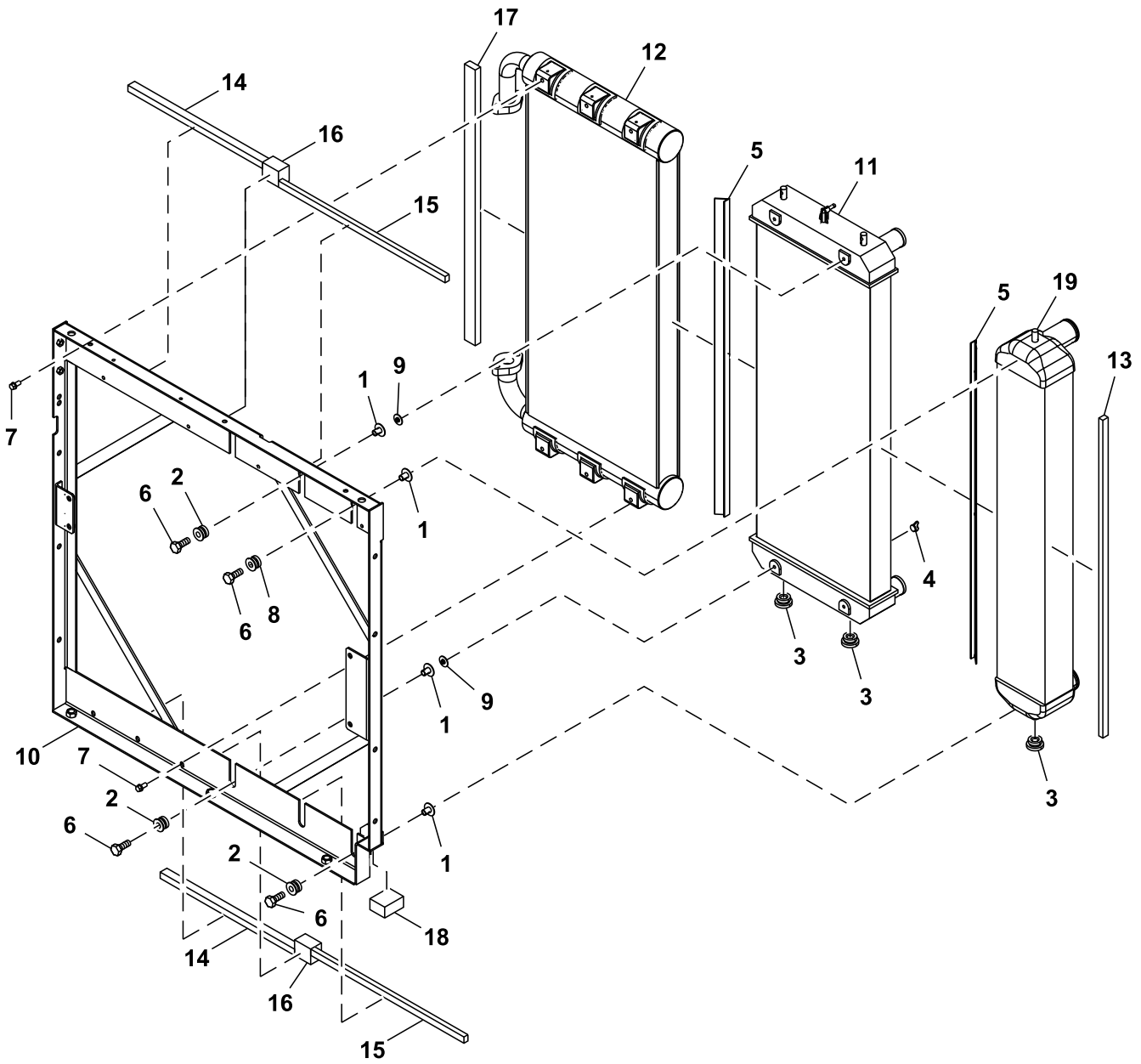


FF550905_TX1249790

<i>Key</i>	<i>Part No.</i>	<i>Part Name</i>	<i>Qty.</i>	<i>Serial No.</i>	<i>Remarks</i>
1	FF550970	Coolant Heater	1		
2	H77698	Tie Band	1		SUB FOR 4121859

Cooling Package

TX1170369 C.1

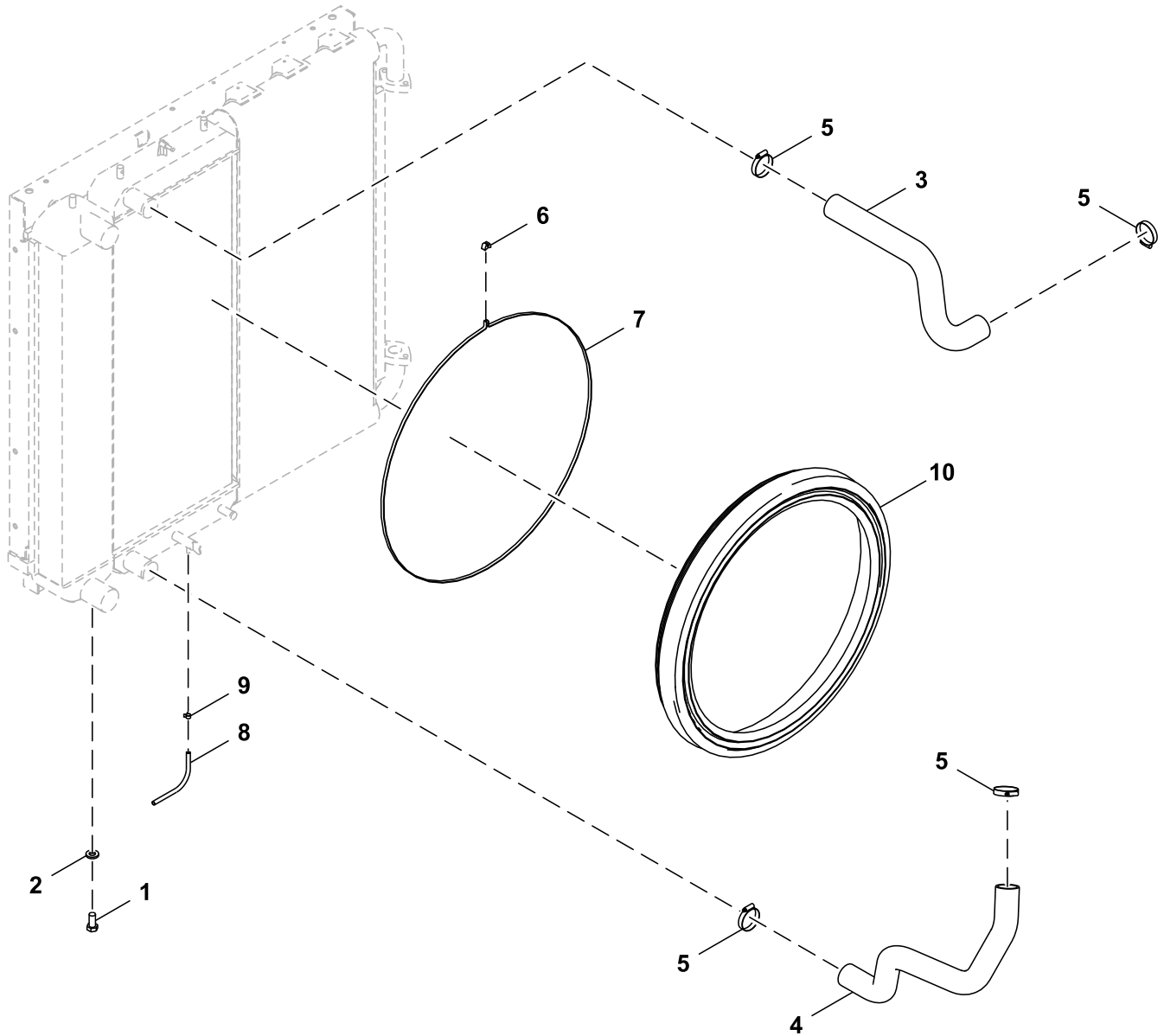


TX1170369

Key	Part No.	Part Name	Qty.	Serial No.	Remarks
1	4655623	Locking Collar	6		
2	4655624	Isolator	5		
3	4655625	Isolator	3		
4	4655627	Drain Plug	1		
5	4698464	Packing	2		
6	4655622	Bolt	6		SUB FOR FXB00001935
7	FYA00011063	Bolt	6		SUB FOR FXB00001939
8	4655612	Isolator	1		SUB FOR FXB00001941
9	FYA00020480	Locking Collar	4		SUB FOR FXB00001952
10	FXB00010776	Frame	1		SUB FOR FXB00009530
11	FXB00009559	Radiator	1		SUB FOR FXB00009531
12	FXB00010779	Oil Cooler	1		SUB FOR FXB00009532
13	FXB00010780	Isolator	1		SUB FOR FXB00009533
14	FXB00010781	Isolator	2		SUB FOR FXB00009534
15	FXB00010782	Isolator	2		SUB FOR FXB00009535
16	FXB00010783	Isolator	2		SUB FOR FXB00009536
17	FXB00010784	Isolator	1		SUB FOR FXB00009537
18	FXB00010785	Isolator	1		SUB FOR FXB00009538
19	FYA00054730	Intercooler	1		SUB FOR FYA00001642

Cooling Package Hoses

TX1188173 A.1

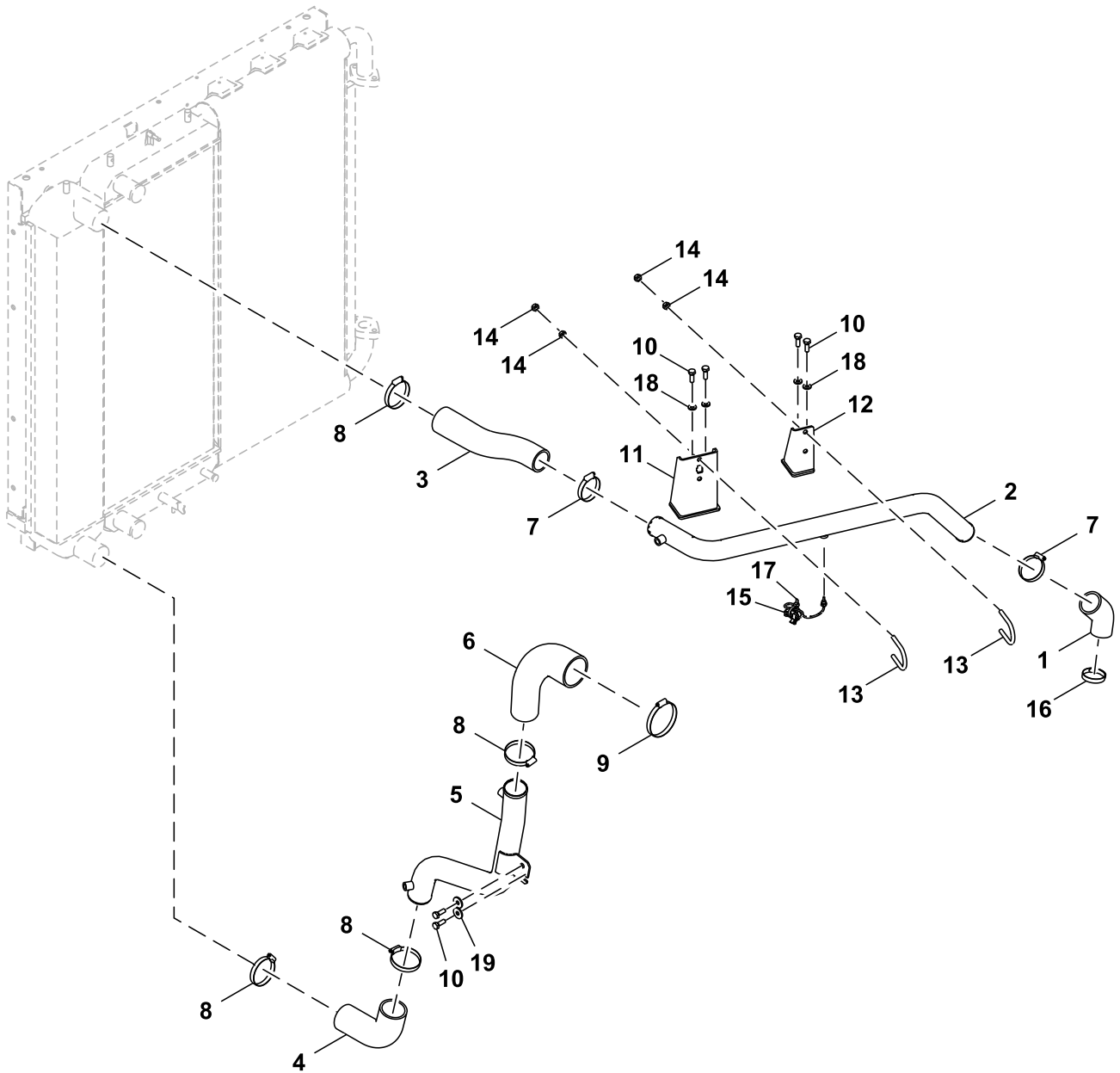


YA60014848_TX1188173

Key	Part No.	Part Name	Qty.	Serial No.	Remarks
1	J921635	Bolt	3		
2	24M7338	Washer	3		17 X 30 X 3 mm, SUB FOR J222016
3	FYA00004654	Hose	1		
4	FYA00004655	Hose	1		
5	TY22485	Hose Clamp	4		SUB FOR 4357297
6	4426044	Lock	1		
7	4639513	Band	1		
8	4159073	Radiator Hose	1		
9	4646064	Clamp	1		
10	4716346	Sealing Trim	1		

Intercooler Hoses

TX1173103 B.1

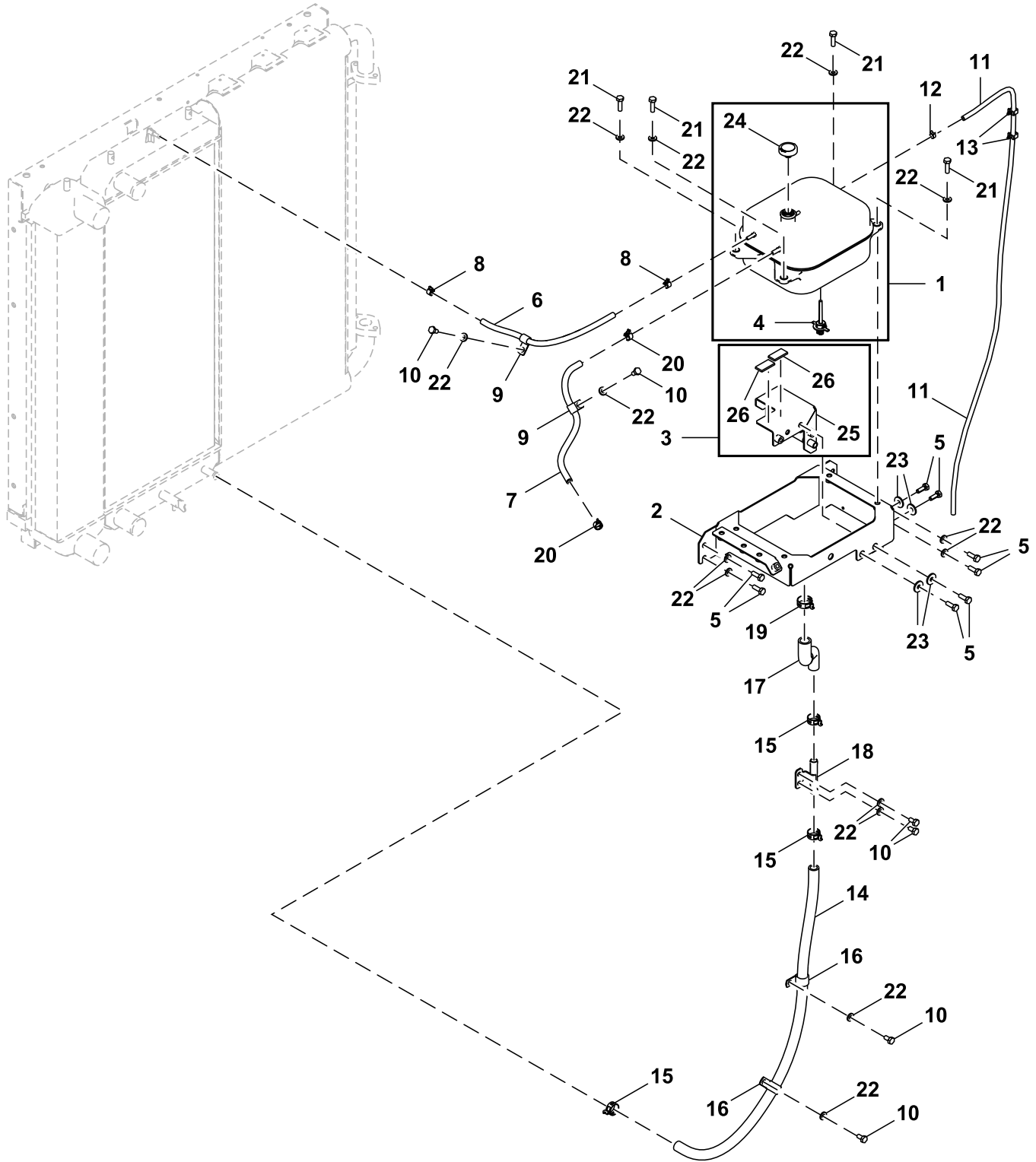


YA60017920_TX1173103

Key	Part No.	Part Name	Qty.	Serial No.	Remarks
1	4711905	Hose	1		
2	FYA40030452	Pipe	1		
3	4643559	Hose	1		
4	4711304	Hose	1		
5	FYA40003734	Pipe	1		
6	4701850	Hose	1		
7	TY22472	Clamp	2		SUB FOR 4504199 AND AT145651
8	TY22472	Clamp	4		SUB FOR 4504491 AND AT145651
9	AH104837	Hose Clamp	1		SUB FOR 4503469
10	19M7662	Cap Screw	6		M10 X 30, SUB FOR J901030
11	FYA40014825	Bracket	1		
12	FYA40014824	Bracket	1		
13	4248279	Bolt	2		
14	14M7274	Nut	8		M10, SUB FOR J950010
15	8973811820	Sensor	1		Manifold Air Temperature, SUB FOR FYA00011515
16	FF500061	Hose Clamp	1		
17	H77698	Tie Band	1		SUB FOR 4055311
18	24M7346	Washer	4		11 X 20 X 2 mm, SUB FOR DH400703
19	24M7101	Washer	2		11 X 34 X 3 mm, SUB FOR J217083

Surge Tank

TX1186769 D.1



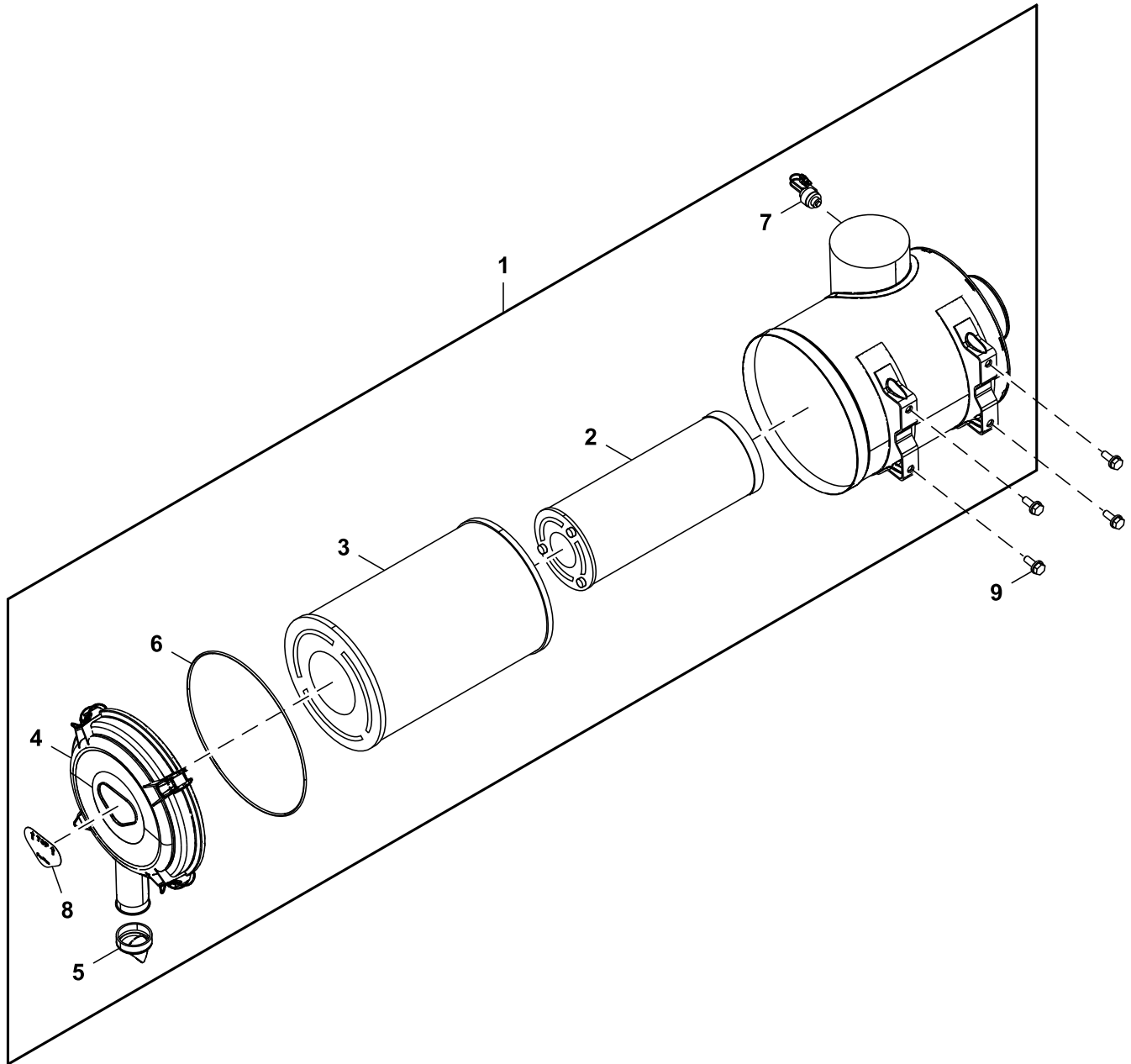
YA60019722_TX1186769

05 Engine Auxiliary System
0510 Engine Cooling Systems

Key	Part No.	Part Name	Qty.	Serial No.	Remarks
1	FYA00036011	Tank	1		Surge
2	FYA40021536	Bracket	1		
3	Bracket	1		Furnish Components, FYA60019943 NLA
4	FYA00030345	Switch	1		Level
5	19M7662	Cap Screw	8		M10 X 30, SUB FOR J901030
6	Bulk Hose	1		MAKE FROM TY24397, CTL 450 mm (17.72 in), FXV00000789 NLA
7	FXV00001599	Hose	1		
8	FYA00036490	Clip	2		
9	4190253	Clip	2		
10	19M7938	Cap Screw	6		M10 X 20, SUB FOR J901020
11	Bulk Hose	1		MAKE FROM TY25195, CTL 1950 mm (76.77 in), 4353970 NLA SUB FOR 4425139
12	L112347	Clamp	1		
13	4449250	Clip	2		
14	FYA00063537	Hose	1		SUB FOR FXV00000625
15	FYA00036492	Clip	3		
16	4192035	Clip	2		
17	FYA00004728	Hose	1		
18	FYA40023344	Hose	1		
19	FYA00036493	Clip	1		
20	FYA00036491	Clip	2		
21	19M7550	Cap Screw	4		M10 X 35, SUB FOR J901035
22	24M7346	Washer	14		11 X 20 X 2 mm, SUB FOR DH400703
23	24M7101	Washer	4		11 X 34 X 3 mm, SUB FOR J217083
24	FYA00038910	Cap	1		
25	FYA40021537	Bracket	1		
26	4700462	Isolator	2		

Air Cleaner

TX1173726 B.1

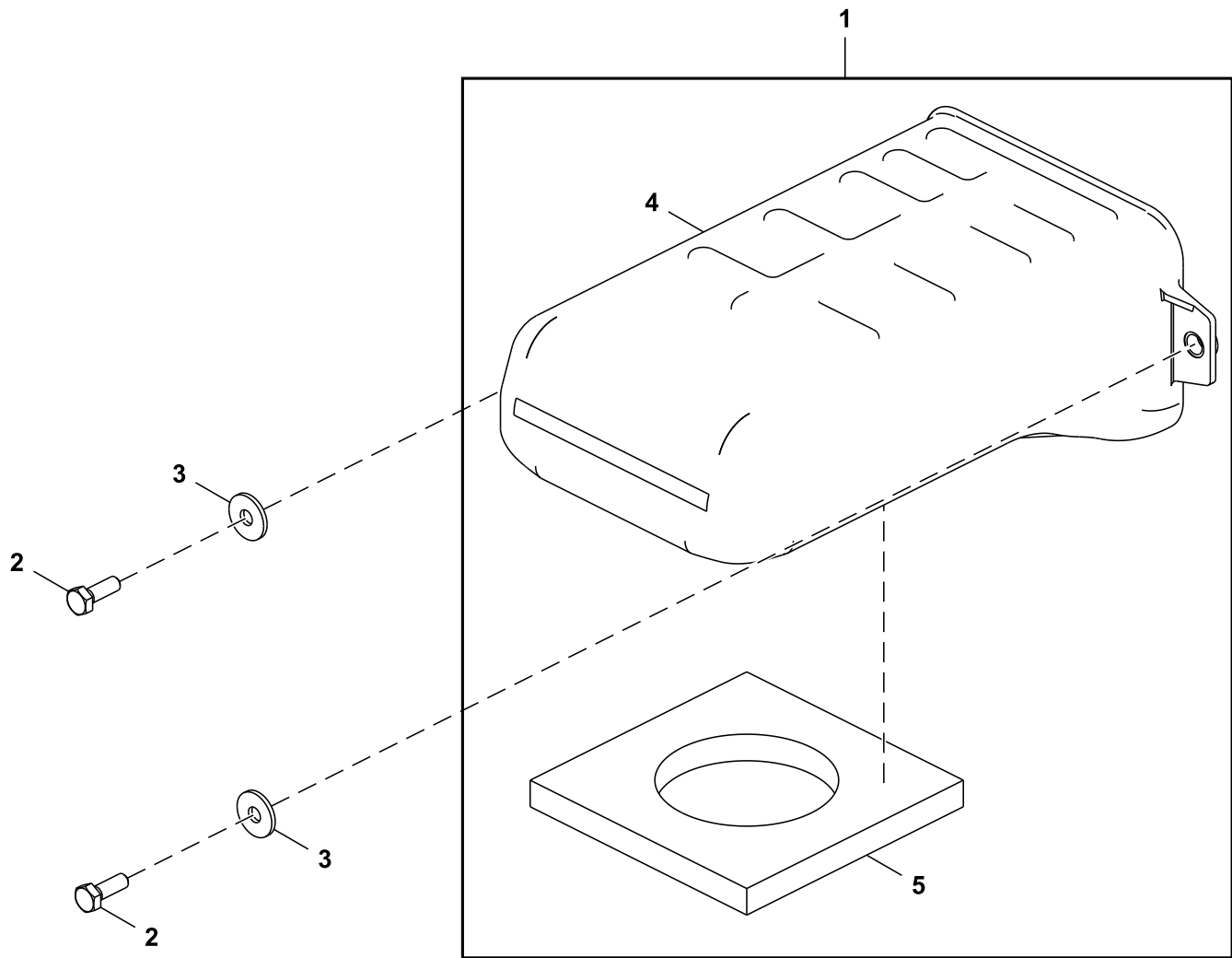


TX1173726

Key	Part No.	Part Name	Qty.	Serial No.	Remarks
1	FYA00031156	Air Cleaner	1	-340798	
	FYA00071294	Air Cleaner	1	340799-	
2	AT280663	Filter Element	1		Inner, Secondary, SUB FOR 4286130
3	AT280662	Filter Element	1		Outer, Primary, SUB FOR 4286128
4	4453909	Cover	1		
5	4453910	Drain Valve	1		Dust Unloader Valve
6	4453911	Gasket	1		
7	4224238	Indicator	1		
8	FYA00009482	Label	1		Top, Direction Arrow
9	Screw With Washer	4		J271030 NLA
	19M7662	Cap Screw	4		M10 X 30, SUB FOR J901030
	24M7346	Washer	4		11 X 20 X 2 mm, SUB FOR J222010

Air Cleaner Cap and Mounting

9243029_TX1085348 C.1

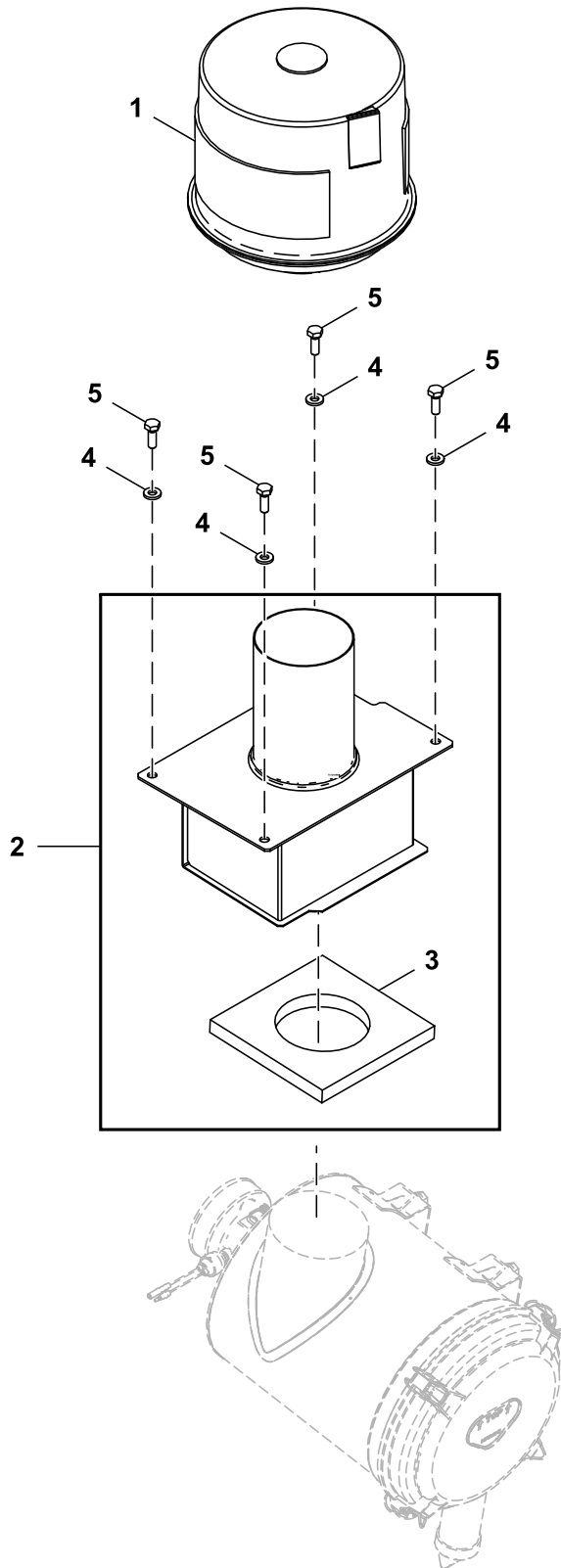


9243029_TX1085348

Key	Part No.	Part Name	Qty.	Serial No.	Remarks
1	8102815	Air Duct	1		
2	19M7662	Cap Screw	2		M10 X 30, SUB FOR J901030
3	24M7101	Washer	2		11 X 34 X 3 mm, SUB FOR J217083
4	Air Duct	1		4643387 NSEP
5	4643388	Isolator	1		

Precleaner (340457 -)

TX1248966 A.1

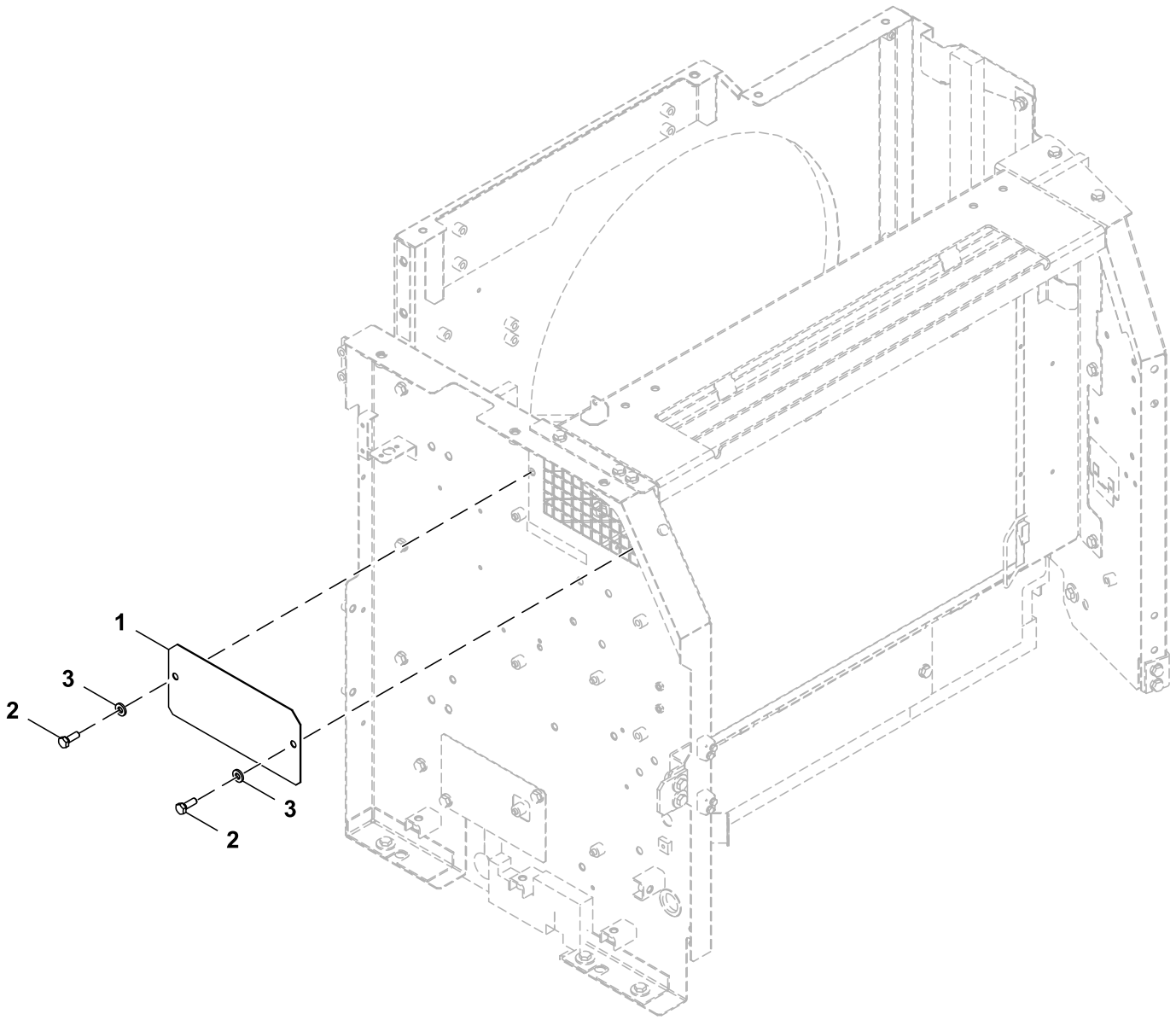


FF551321_TX1248966

<i>Key</i>	<i>Part No.</i>	<i>Part Name</i>	<i>Qty.</i>	<i>Serial No.</i>	<i>Remarks</i>
1	FYA00029949	Precleaner	1		
2	FF551322	Pipe	1		
3	4643388	Isolator	1		
4	24M7346	Washer	4		11 X 20 X 2 mm, SUB FOR DH400703
5	19M7662	Cap Screw	4		M10 X 30, SUB FOR J901030

Precleaner Plate (340457 -)

TX1251235 A.1

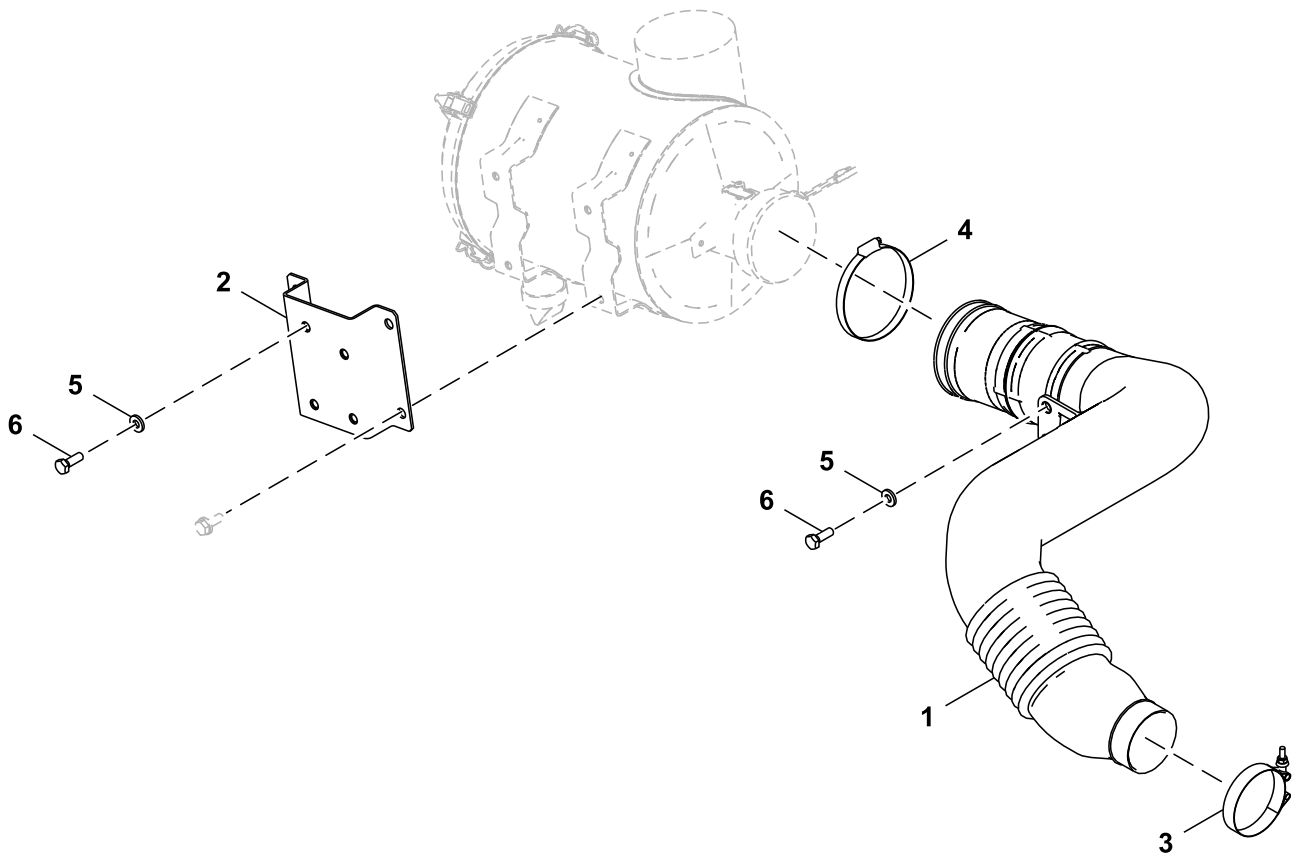


YA60015673_TX1251235

Key	Part No.	Part Name	Qty.	Serial No.	Remarks
1	4651896	Plate	1		
2	19M7662	Cap Screw	2		M10 X 30, SUB FOR J901030
3	24M7346	Washer	2		11 X 20 X 2 mm, SUB FOR DH400703

Air Cleaner Hoses

TX1169879 A.1

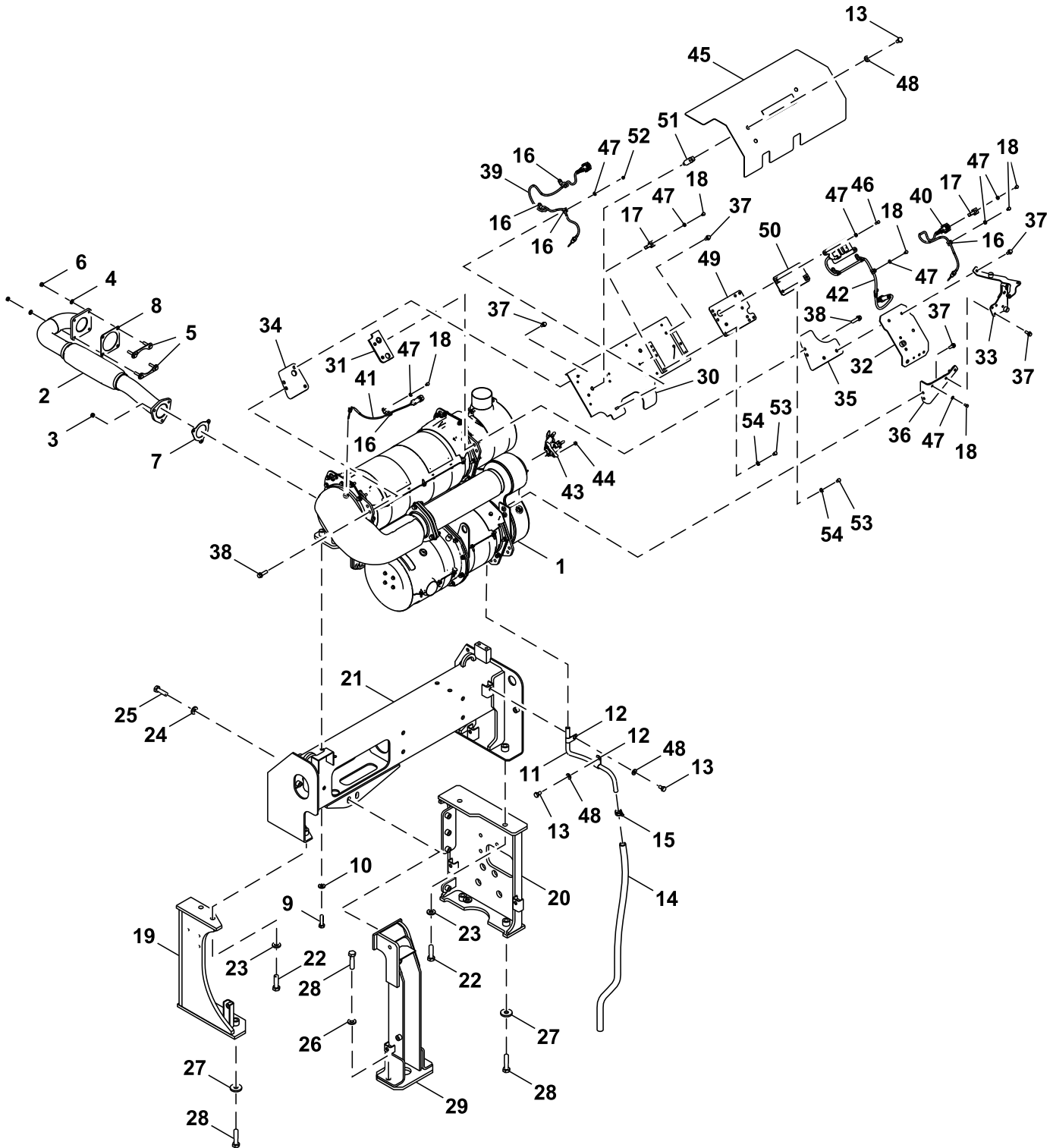


YA60026950_TX1169879

Key	Part No.	Part Name	Qty.	Serial No.	Remarks
1	FYA00031223	Air Duct	1		
2	8121808	Bracket	1		
3	AT43291	Hose Clamp	1		SUB FOR 4282483
4	FF500022	Clamp	1		
5	24M7346	Washer	6		11 X 20 X 2 mm, SUB FOR DH400703
6	19M7662	Cap Screw	6		M10 X 30, SUB FOR J901030

Aftertreatment (- 340098)

TX1172549 E.2

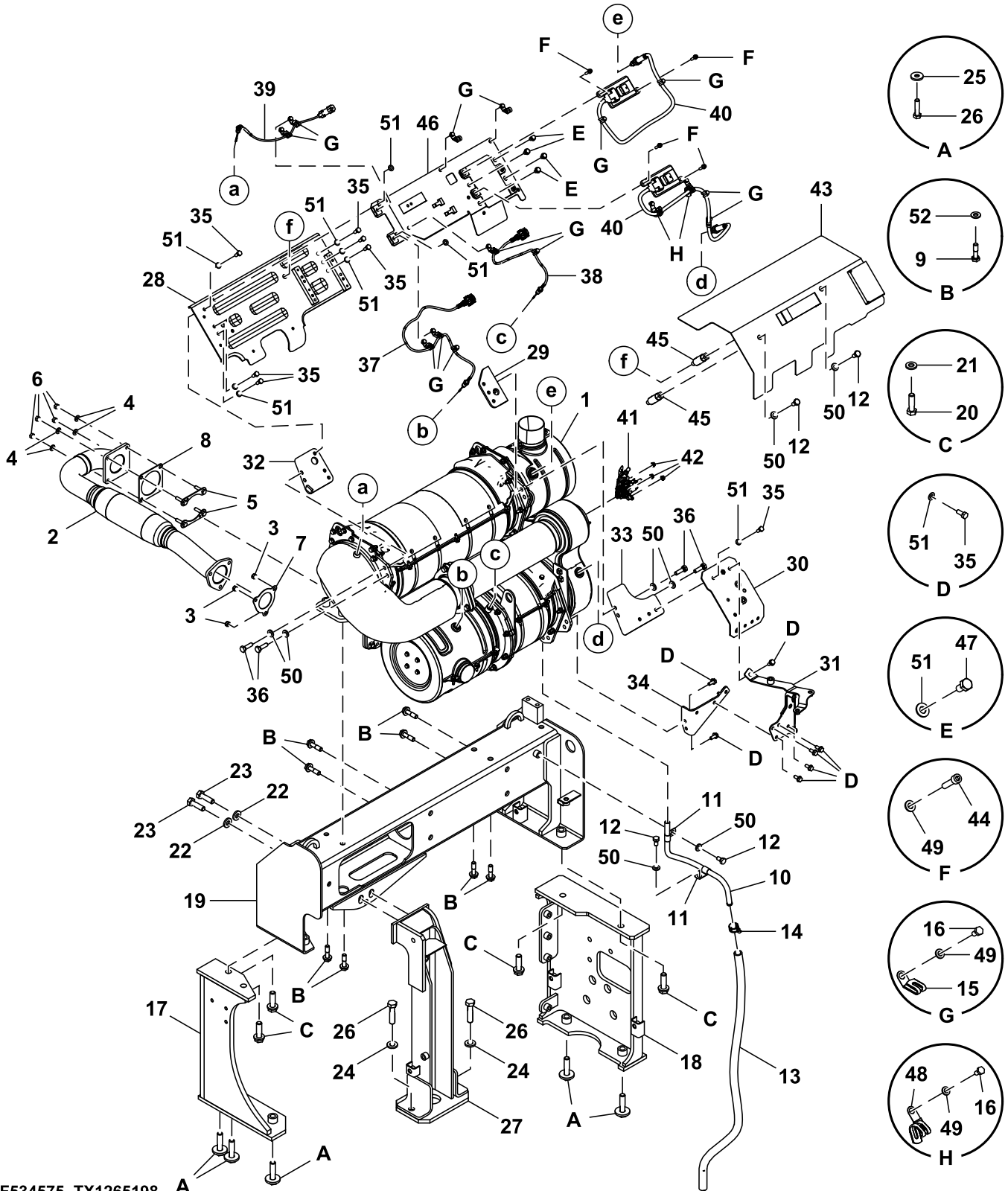


YA60017830_TX1172549

Key	Part No.	Part Name	Qty.	Serial No.	Remarks
1	Catalytic Muffler	1		SUB FOR FYA00027234 AND 8982682310, 8982682311 NLA, Furnish Components, Components On Separate Page
2	FYA00041288	Exhaust Pipe	1		SUB FOR FYA00034465
3	E64256	Lock Nut	3		SUB FOR 4252898
4	J222008	Washer	4		
5	FYA40018368	Clamp	2		
6	14M7273	Nut	4		M8, SUB FOR J950008
7	4664929	Gasket	1		SUB FOR 8973767580
8	8943925532	Gasket	1		SUB FOR 4664931
9	19M7496	Cap Screw	8		M12 X 45, SUB FOR J921245
10	DH400704	Washer	8		
11	FYA00007837	Pipe	1		
12	4722645	Clip	2		
13	19M7938	Cap Screw	4		M10 X 20, SUB FOR J901020
14	Bulk Hose	1		MF TY22564, CTL 900 mm (2.95 ft)
15	FF500010	Hose Clamp	1		SUB FOR 4514699
16	8973679841	Clip	11		SUB FOR FYA00009341
17	8976028701	Bracket	2		SUB FOR FYA00000686
18	19M6614	Cap Screw	12		M6 X 12, SUB FOR J900612
19	FYA40018251	Bracket	1		
20	FYA40018252	Bracket	1		
21	FYA40018250	Bracket	1		
22	19M8295	Cap Screw	4		M16 X 55, SUB FOR J921655
23	24M7338	Washer	4		17 X 30 X 3 mm, SUB FOR J222016
24	J222014	Washer	2		
25	19M9169	Cap Screw	2		M14 X 50, SUB FOR J921450
26	24M7338	Washer	2		17 X 30 X 3 mm, SUB FOR J222016
27	4650338	Washer	4		
28	19M7369	Cap Screw	6		M16 X 60, SUB FOR J921665
29	FF531379	Bracket	1		
30	8983055660	Bracket	1		SUB FOR 8982373772, FYA00034765, 8982373770, 8982373771 AND 8982373773, ALSO ORDER 8983055680
	8983055680	Spacer	1		
31	8982373820	Bracket	1		
32	8982373832	Bracket	1	-XXXXXX	SUB FOR FYA00034766 SUB FOR FYA00034767, 8982373830 OR 8982373831
	8983338910	Bracket	1	XXXXXX-	SUB FOR FYA00046906
33	8982824391	Bracket	1		SUB FOR 8982824390, 8982373840, FYA00034768
34	8982373860	Bracket	1		SUB FOR FYA00034769
35	8982373873	Bracket	1	-XXXXXX	SUB FOR 8982373872, FYA00034770 OR 8982373871
	8983338920	Bracket	1	XXXXXX-	SUB FOR FYA00046904
36	8982373881	Bracket	1		SUB FOR FYA00034771 OR 8982373880
37	19M7866	Screw	12		M8 X 20, SUB FOR FYA00000683, 280508200 AND 0280808200
38	0280510350	Bolt	4		SUB FOR FYA00034772
39	FYA00009435	Temperature Sensor	1		SUB FOR 8981783581, Oxygen
40	FYA00009436	Temperature Sensor	1		
41	8980863290	Sensor	1		Exhaust Temperature Sensor, Diesel Oxidation Catalyst (DOC), SUB FOR FYA00001706
42	8983023940	Sensor	1	-XXXXXX	Nox, SUB FOR 8982369200 OR FYA00001705
	8983023940	Sensor	2	XXXXXX-	Nox, SUB FOR 8982369200 OR FYA00001705
43	8982318982	Module	1		Diesel Exhaust Fluid, (DEF), Dosing Injector, Components On Separate Page, SUB FOR 8982318980 AND FYA00017596
44	14M7303	Flange Nut	3		M6, SUB FOR FYA00015424 AND 911801060
45	FYA40002616	Cover	1	-XXXXXX	
	FYA40030314	Cover	1	XXXXXX-	
46	19M7077	Cap Screw	2		M6 X 20, SUB FOR J900620
47	24M7054	Washer	15		6.400 X 12 X 1.600 mm, SUB FOR A590106
48	24M7346	Washer	4		11 X 20 X 2 mm, SUB FOR DH400703
49	FYA40022214	Bracket	1		
50	FYA40008075	Bracket	1		
51	8982521410	Spacer	2		SUB FOR FYA00037820
52	14M7272	Nut	1		M6, SUB FOR M500605
53	19M7162	Cap Screw	6		M8 X 16, SUB FOR J900814
54	24M7055	Washer	6		8.400 X 16 X 1.600 mm, SUB FOR A590108

Aftertreatment (340099 -)

TX1265198 B.1

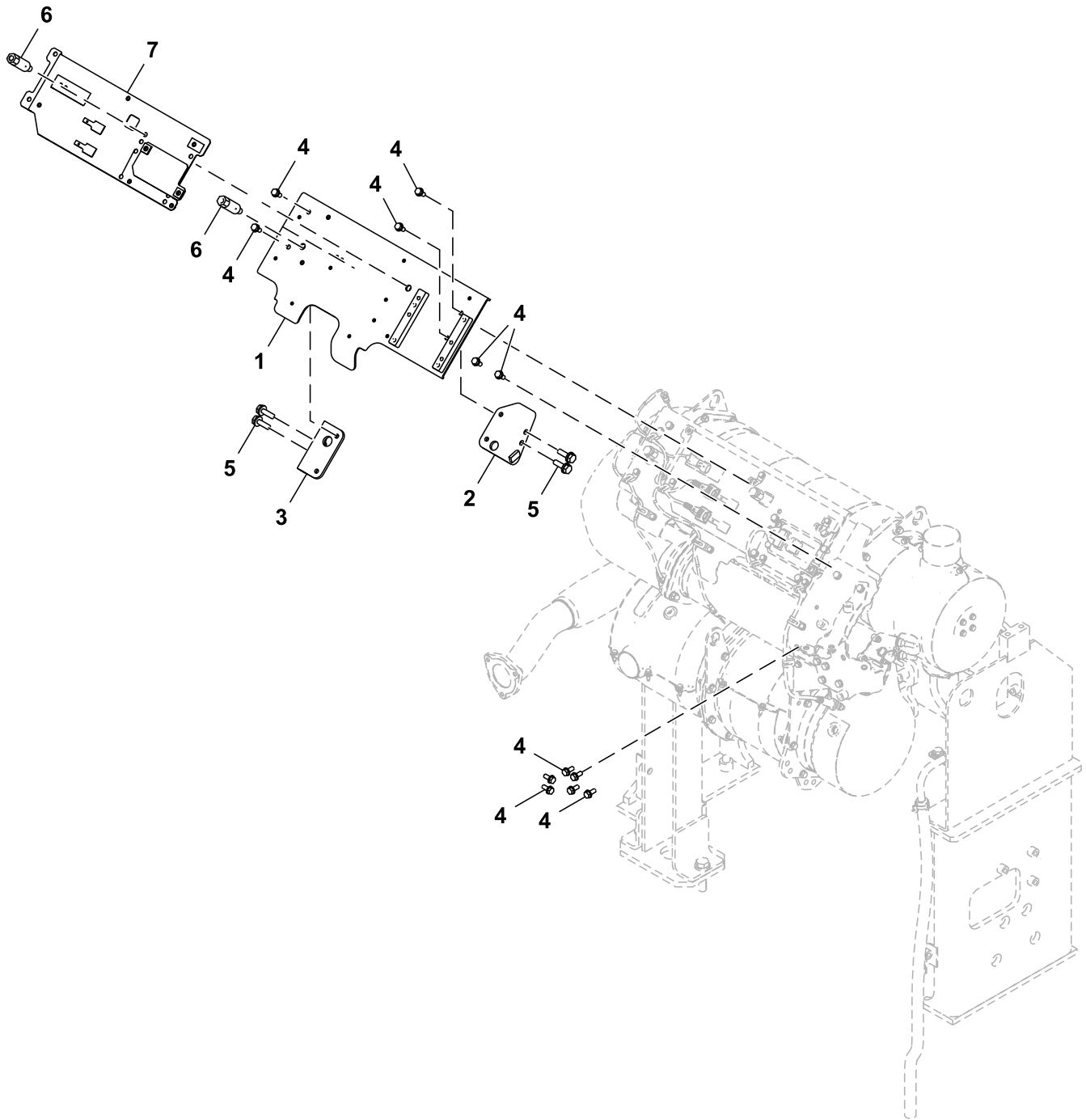


FF534575_TX1265198 A

Key	Part No.	Part Name	Qty.	Serial No.	Remarks
1	Converter	1		FYA00046935 AND 8983244460 NLA, Aftertreatment, Furnish Components, Components on Separate Page
2	FYA00041288	Exhaust Pipe	1		
3	E64256	Lock Nut	3		SUB FOR 4252898
4	J222008	Washer	4		
5	FYA40018368	Clamp	2		
6	14M7273	Nut	4		M8, SUB FOR J950008
7	4664929	Gasket	1		
8	8943925532	Gasket	1		SUB FOR 4664931
9	19M7496	Cap Screw	8		M12 X 45, SUB FOR J901245
10	FYA00007837	Pipe	1		
11	4722645	Clip	2		
12	19M7938	Cap Screw	4		M10 X 20, SUB FOR J901020
13	Bulk Hose	1		MF TY22564, CTL 900 mm (35.43 in)
14	4717624	Clip	1		
15	8973679841	Clip	13		SUB FOR FYA00009341
16	19M6614	Cap Screw	15		M6 X 12, SUB FOR J900612
17	FYA40018251	Bracket	1		FYA60023714 NLA
18	FYA40018252	Bracket	1		
19	FYA40018250	Bracket	1		
20	19M8295	Cap Screw	4		M16 X 55, SUB FOR J921655
21	24M7338	Washer	4		17 X 30 X 3 mm, SUB FOR J222016
22	J222014	Washer	2		
23	19M9169	Cap Screw	2		M14 X 50, SUB FOR J921450
24	24M7338	Washer	2		17 X 30 X 3 mm, SUB FOR J222016
25	4650338	Washer	5		
26	19M7369	Cap Screw	7		M16 X 60, SUB FOR J921665
27	FF531379	Bracket	1		
28	8983338791	Bracket	1		SUB FOR FYA00046905
29	8983338780	Bracket	1		SUB FOR FYA00046903
30	8983338910	Bracket	1		SUB FOR FYA00046906
31	8982824391	Bracket	1		SUB FOR FYA00037821
32	8983338770	Bracket	1		SUB FOR FYA00046902
33	8983338920	Bracket	1		SUB FOR FYA00046904
34	8982373882	Bracket	1		SUB FOR FYA00034771
35	19M7881	Screw	14		M8 X 20, SUB FOR J900820
36	19M7550	Cap Screw	4		M10 X 35, SUB FOR J901035
37	FYA00009435	Temperature Sensor	1		Oxygen
38	FYA00009436	Temperature Sensor	1		Temperature
39	8980863290	Sensor	1		Exhaust Temperature Sensor, Diesel Oxidation Catalyst (DOC), SUB FOR FYA00001706
40	8983023940	Sensor	2		NOx, SUB FOR FYA00001705
41	8982318982	Module	1		Diesel Exhaust Fluid, (DEF), Dosing Injector, Components On Separate Page, SUB FOR FYA00017596
42	14M7303	Flange Nut	3		M6, SUB FOR FYA00015424
43	FYA40030314	Cover	1		
44	19M8505	Screw	4		M6 X 25, SUB FOR J780625
45	8982521410	Spacer	2		SUB FOR FYA00037820
46	FYA40030313	Bracket	1		
47	19M7162	Cap Screw	4		M8 X 16, SUB FOR J900814
48	8973679851	Clip	2		SUB FOR FYA00030402
49	24M7054	Washer	19		6.400 X 12 X 1.600 mm, SUB FOR A590106
50	24M7346	Washer	8		11 X 20 X 2 mm, SUB FOR DH400703
51	24M7055	Washer	20		8.400 X 16 X 1.600 mm, SUB FOR A590108
52	DH400704	Washer	8		

Aftertreatment Bracket

TX1205657 A.1

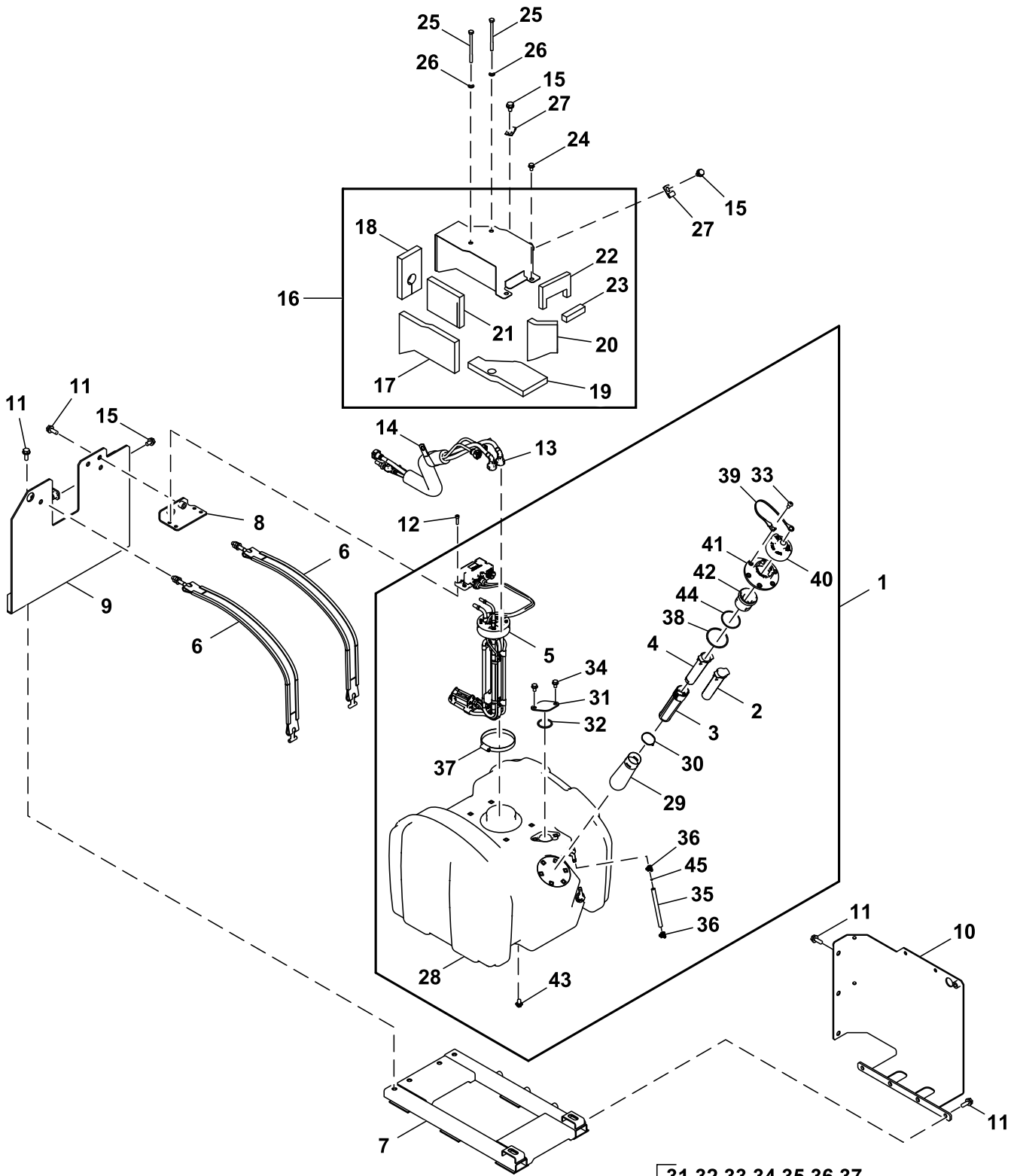


FF534042_TX1205657

Key	Part No.	Part Name	Qty.	Serial No.	Remarks
1	8983055661	Bracket	1	-XXXXXX	SUB FOR FYA00040176 AND 8983055660
	8983338791	Bracket	1	XXXXXX-	SUB FOR FYA00046905 AND 8983338790
2	8983055640	Bracket	1	-XXXXXX	SUB FOR FYA00040173
	8983338780	Bracket	1	XXXXXX-	SUB FOR FYA00046903
3	8983055620	Bracket	1	-XXXXXX	SUB FOR FYA00040175
	8983338770	Bracket	1	XXXXXX-	SUB FOR FYA00046902
4	Screw With Washer	12		J260820 NLA
	19M7881	Screw	12		M8 X 20
	24M7055	Washer	12		8.400 X 16 X 1.600 mm
5	Screw With Washer	4		J271035 NLA
	J901035	Cap Screw	4		
	24M7346	Washer	4		11 X 20 X 2 mm, SUB FOR J222010
6	8983055680	Spacer	2		SUB FOR FYA00040177
7	FYA40026911	Bracket	1	-XXXXXX	
	FYA40030313	Bracket	1	XXXXXX-	

Diesel Exhaust Fluid (DEF) Tank

TX1189671 E.1



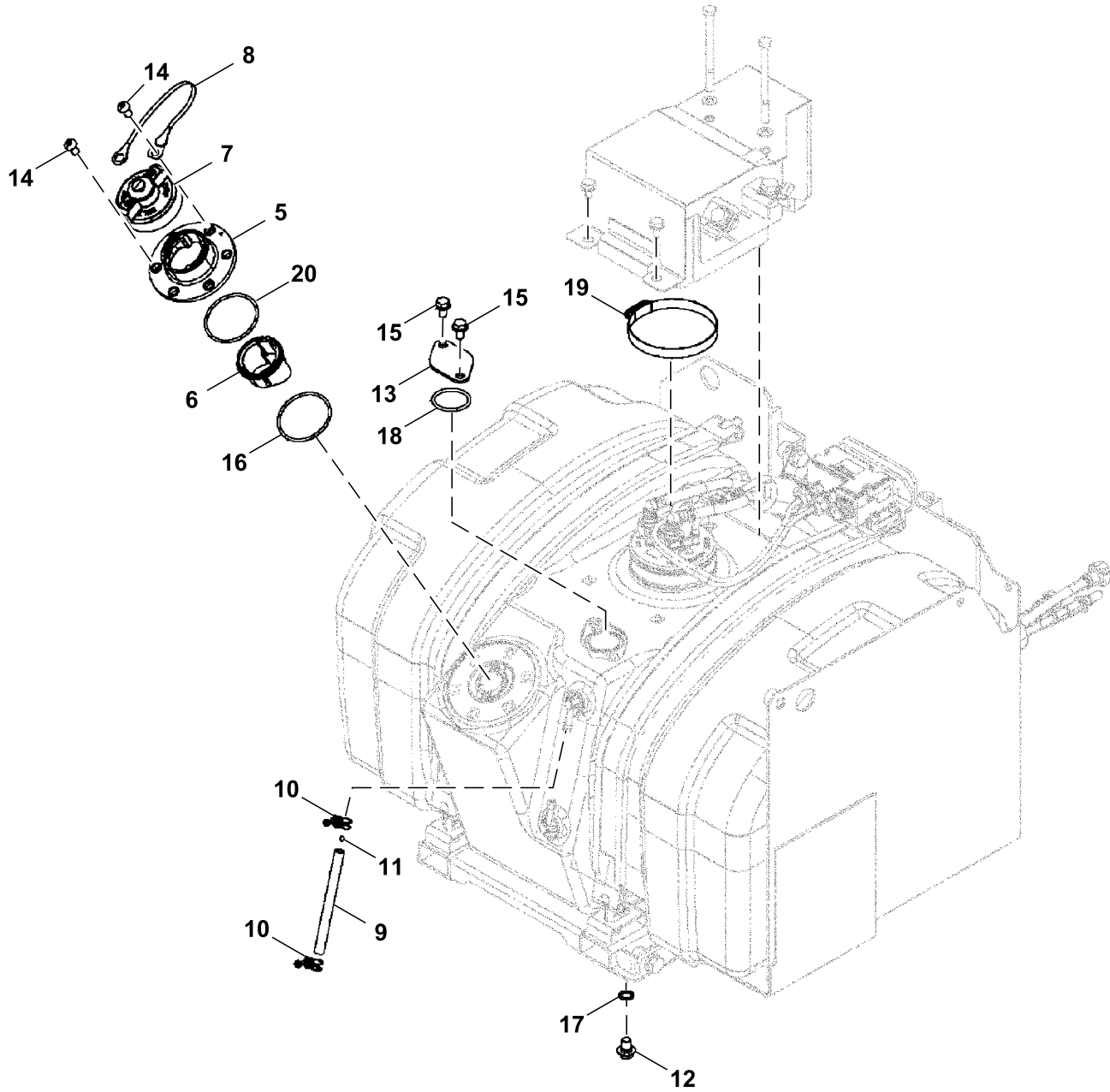
YA60028241_TX1189671

28 — 31,32,33,34,35,36,37,
38,39,40,41,42,43,44,45

Key	Part No.	Part Name	Qty.	Serial No.	Remarks
1	Tank	1		FYA60049514 NLA, DEF Tank, Furnish Components
2	FYA60043809	Filler Neck	1		SUB FOR FYA60036668
3	FYA00043256	Strainer	1		
4	FYA00039312	Adapter	1		
5	FYA00047388	DEF Tank Header Assembly	1		SUB FOR FYA00036445, INCLUDES FYA00049549, FYA00049550, AND FYA00049551
	FYA00049549	Filter	1		
	FYA00049550	O-Ring	1		
	FYA00049551	Clip	1		
6	FYA00002448	Band	2		
7	FYA40023537	Frame	1		
8	FYA40020569	Bracket	1		
9	FYA40020571	Bracket	1		
10	FYA40023538	Cover	1		
11	Screw With Washer	13		J271030 NLA
	19M7662	Cap Screw	13		M10 X 30
	24M7346	Washer	13		11 X 20 X 2 mm
12	19M8505	Screw	4		M6 X 25, SUB FOR J780625
13	FYA00026701	Hose	1		
14	4193848	Clip	1		SUB FOR 4190291
15	Screw With Washer	3		J271020 NLA
	19M7938	Cap Screw	3		M10 X 20, SUB FOR J901020
	24M7346	Washer	3		11 X 20 X 2 mm, SUB FOR J222010
16	FYA60012308	Cover	1		
17	FYA00035957	Weatherstrip	1		
18	FYA00035958	Weatherstrip	1		
19	FYA00035959	Weatherstrip	1		
20	FYA00035960	Weatherstrip	1		
21	FYA00035961	Weatherstrip	1		
22	FXV00002166	Isolator	1		
23	FYA00025485	Isolator	1		
24	Screw With Washer	2		J260816 NLA
	19M7162	Cap Screw	2		M8 X 16
	24M7055	Washer	2		8.400 X 16 X 1.600 mm
25	19M7997	Cap Screw	2		M8 X 110, SUB FOR J900802
26	24M7055	Washer	2		8.400 X 16 X 1.600 mm, SUB FOR A590108
27	R56171	Clip	2		SUB FOR 4205358
28	FYA60049537	Tank	1		SUB FOR FYA00052306 AND FYA00032504
29	FYA00051789	Filter	1		
30	FYA00049011	Clip	1		
31	FXB00009496	Plate	1		
32	FXB00009501	O-Ring	1		
33	FXB00009497	Bolt	6		
34	FXB00009498	Screw	2		
35	FXB00011870	Hose	1		SUB FOR FXB00009492
36	FXB00009493	Clip	2		
37	FXB00009502	Band	1		
38	FYA00046492	O-Ring	1		SUB FOR FXB00009499
39	FYA00046490	Strap	1		SUB FOR FXB00009491
40	FYA00046487	Cap	1		SUB FOR FXB00009490
41	FXB00010760	Flange	1		
42	FYA00049091	Holder	1		SUB FOR FXB00010761
43	FXB00009495	Plug	1		ALSO ORDER FXB00009500
	FXB00009500	O-Ring	1		
44	FYA00046493	O-Ring	1		SUB FOR FXB00010759
45	FXB00009494	Float	1		

Diesel Exhaust Fluid (DEF) Tank Parts

TX1172215 A.1

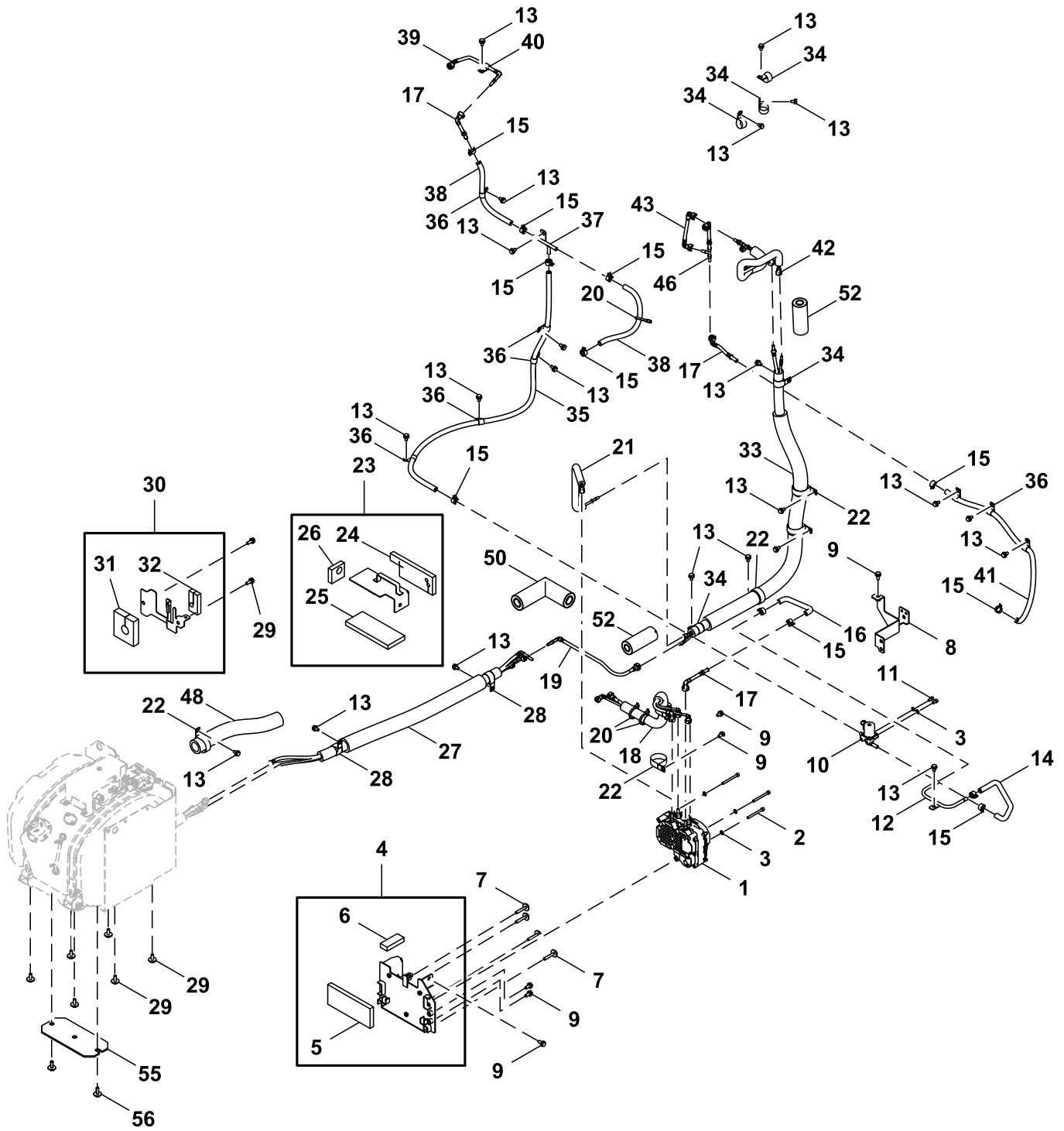


DCEYA00031736_TX1172215

Key	Part No.	Part Name	Qty.	Serial No.	Remarks
5	FXB00010760	Flange	1		
6	FYA00049091	Holder	1		SUB FOR FXB00010761
7	FYA00046487	Cap	1		SUB FOR FXB00009490
8	FYA00046490	Strap	1		SUB FOR FXB00009491
9	FXB00011870	Hose	1		SUB FOR FXB00009492
10	FXB00009493	Clip	2		
11	FXB00009494	Float	1		
12	FXB00009495	Plug	1		
13	FXB00009496	Plate	1		
14	FYA00046491	Bolt	6		SUB FOR FXB00009497
15	FXB00009498	Screw	2		
16	FYA00046492	Clip Kit	1		SUB FOR FXB00009499
17	FXB00009500	O-Ring	1		
18	FXB00009501	O-Ring	1		
19	FXB00009502	Band	1		
20	FYA00046493	O-Ring	1		SUB FOR FXB00010759

Diesel Exhaust Fluid (DEF) Lines

TX1189832 B.2

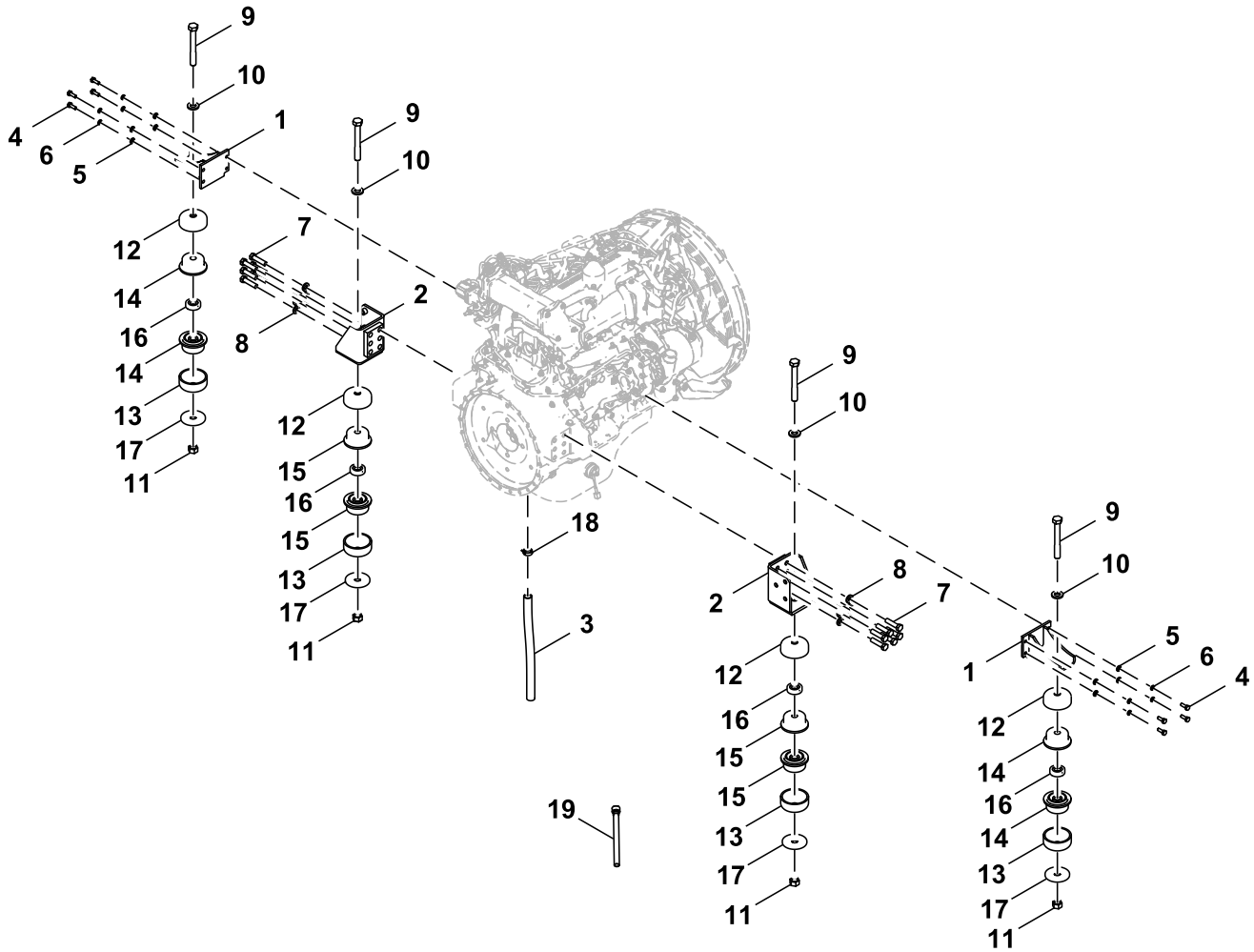


YA60023799_TX1189832

Key	Part No.	Part Name	Qty.	Serial No.	Remarks
1	8982264732	Module	1		Diesel Exhaust Fluid (DEF) Supply Module, Components On Separate Page, SUB FOR 8982264731 AND FYA00017595
2	19M9411	Screw	3		M8 X 85, SUB FOR J780885
3	24M7055	Washer	5		8.400 X 16 X 1.600 mm, SUB FOR A590108
4	FYA60031517	Cover	1		
5	FXV00001007	Weatherstrip	1		
6	FXV00000978	Weatherstrip	1		
7	Screw With Washer	4		J281060 NLA
	19M5536	Cap Screw	4		M10 X 60, SUB FOR J901060
	24M7346	Washer	4		11 X 20 X 2 mm
8	FYA40018178	Bracket	1		
9	Screw With Washer	6		J271025 NLA
	19M7402	Cap Screw	6		M10 X 25, SUB FOR J901025
	24M7346	Washer	6		11 X 20 X 2 mm, SUB FOR J222010
10	8976289561	Valve	1		Diesel Exhaust Fluid (DEF) Heating Valve, SUB FOR FYA00017597
11	19M7647	Screw	2		M8 X 16, SUB FOR J780816
12	FYA40012778	Pipe	1		
13	Screw With Washer	23		J271020 NLA
	19M7938	Cap Screw	23		M10 X 20, SUB FOR J901020
	24M7346	Washer	23		11 X 20 X 2 mm, SUB FOR J222010
14	FYA00025370	Hose	1		
15	FYA00028484	Clip	12		
16	FYA00015117	Hose	1		
17	FYA00031272	Hose	3		
18	FYA00034169	DEF Line	1		
19	FYA00023273	Hose	1		
20	H77698	Tie Band	3		SUB FOR 4055312
21	FYA00034167	DEF Line	1		
22	R134002	Clamp	5		SUB FOR 4193816
23	FYA60031516	Cover	1		
24	FYA00036007	Weatherstrip	1		
25	FXV00001007	Weatherstrip	1		
26	FYA00036008	Weatherstrip	1		
27	FYA00037964	Hose	1		
28	4193848	Clip	2		SUB FOR 4190291
29	Screw With Washer	8		J271030 NLA
	19M7662	Cap Screw	8		M10 X 30
	24M7346	Washer	8		11 X 20 X 2 mm
30	FYA60013342	Cover	1		
31	FYA00035981	Weatherstrip	1		
32	FYA00035982	Weatherstrip	1		
33	FYA00037965	Hose	1		
34	4193848	Clip	5		SUB FOR 4190264
35	FXV00001587	Hose	1		
36	4190274	Clip	8		
37	FYA40015877	Pipe	1		
38	FYA00031276	Hose	2		
39	FYA00028084	Hose	1		
40	AH79175	Clip	1		SUB FOR 4190272
41	FYA00031275	Hose	1		
42	FYA00034763	Hose	1		
43	FYA00034764	Hose	1		
46	FYA00031301	Hose	1		
48	FYA00034035	Insulator	1		
50	FYA00036409	Isolator	1		
52	FYA00034119	Insulator	2		
55	FYA40017094	Cover	1		
56	Screw With Washer	2		J281035 NLA
	19M7550	Cap Screw	2		M10 X 35, SUB FOR J901035
	4486055	Washer	2		

Engine Mounting

TX1189100 A.1

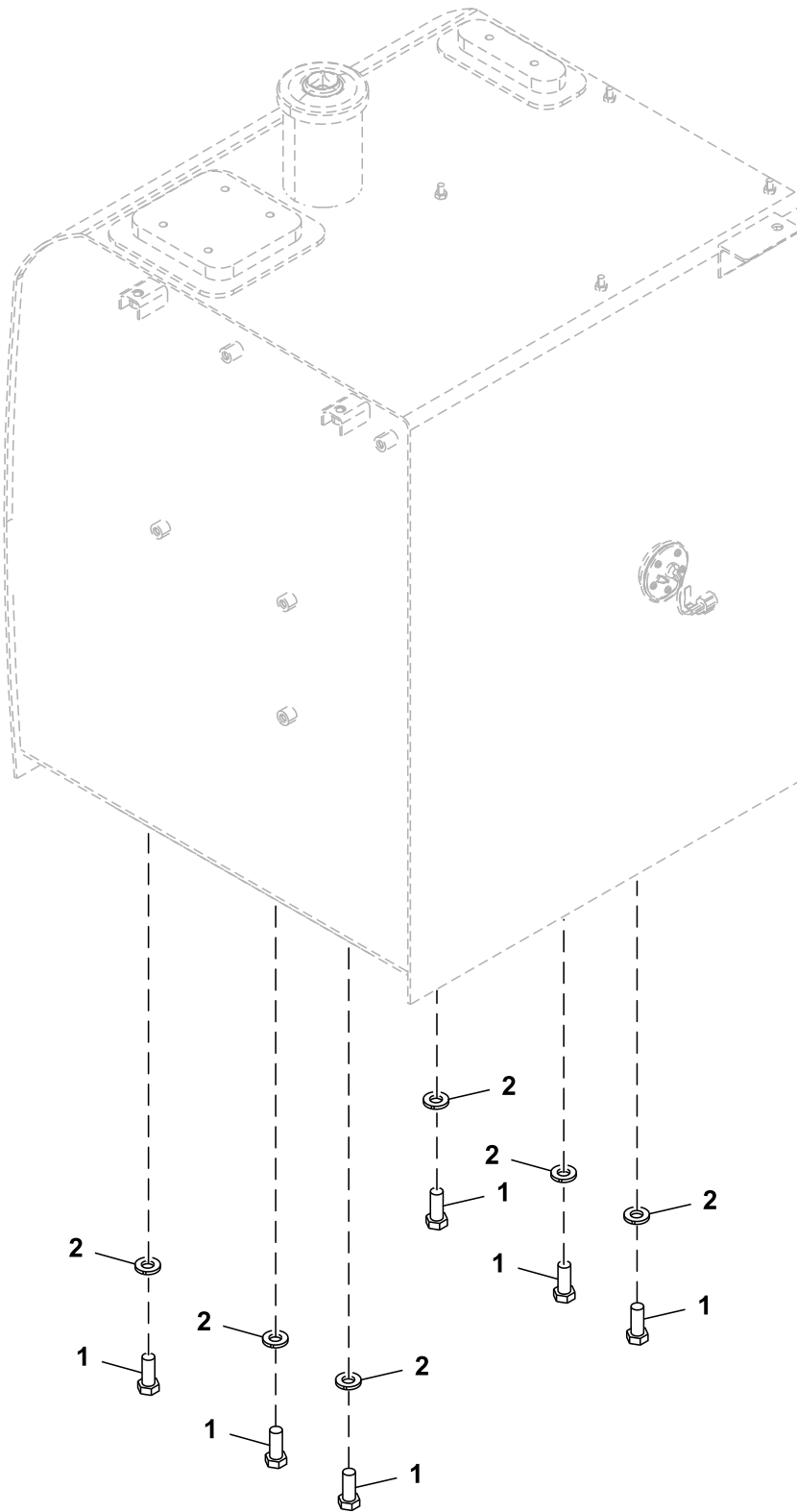


FF531427_TX1189100

Key	Part No.	Part Name	Qty.	Serial No.	Remarks
1	FYA00026746	Bracket	2		SUB FOR 8122354
2	8122440	Bracket	2		
3	8982596140	Hose	1		SUB FOR FYA00035007
4	19M7742	Cap Screw	8		M10 X 65, SUB FOR J921065
5	24M7346	Washer	8		11 X 20 X 2 mm, SUB FOR J222010
6	12M7066	Lock Washer	8		10 mm, SUB FOR A590910
7	19M7369	Cap Screw	12		M16 X 60, SUB FOR J921665
8	24M7338	Washer	12		17 X 30 X 3 mm, SUB FOR J222016
9	J922212	Bolt	4		
10	J222022	Washer	4		
11	J950022	Nut	4		
12	4723718	Stop	4		
13	4723719	Stop	4		
14	4727702	Seal	4		
15	4724231	Seal	4		
16	FYA00007824	Spacer	4		
17	FYA00007825	Washer	4		
18	1097071500	Clip	1		SUB FOR FYA00035005
19	8982534070	Hose	1		SUB FOR 4649305

Fuel Tank Mounting

TX1182416 A.1

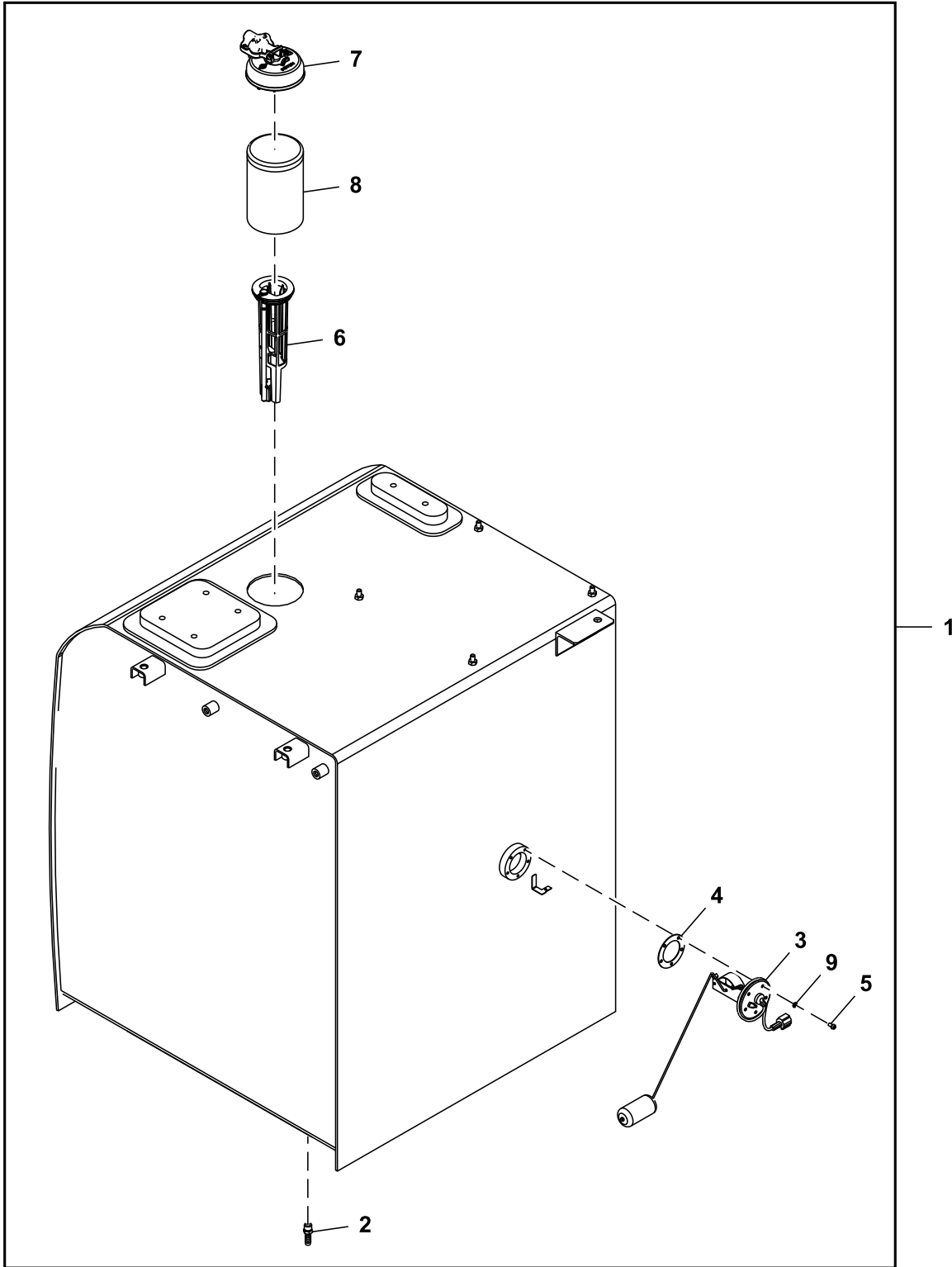


9308807_TX1182416

<i>Key</i>	<i>Part No.</i>	<i>Part Name</i>	<i>Qty.</i>	<i>Serial No.</i>	<i>Remarks</i>
1	19M7488	Cap Screw	6		M16 X 40, SUB FOR J921640
2	24M7338	Washer	6		17 X 30 X 3 mm, SUB FOR J222016

Fuel Tank

TX1186391 B.1

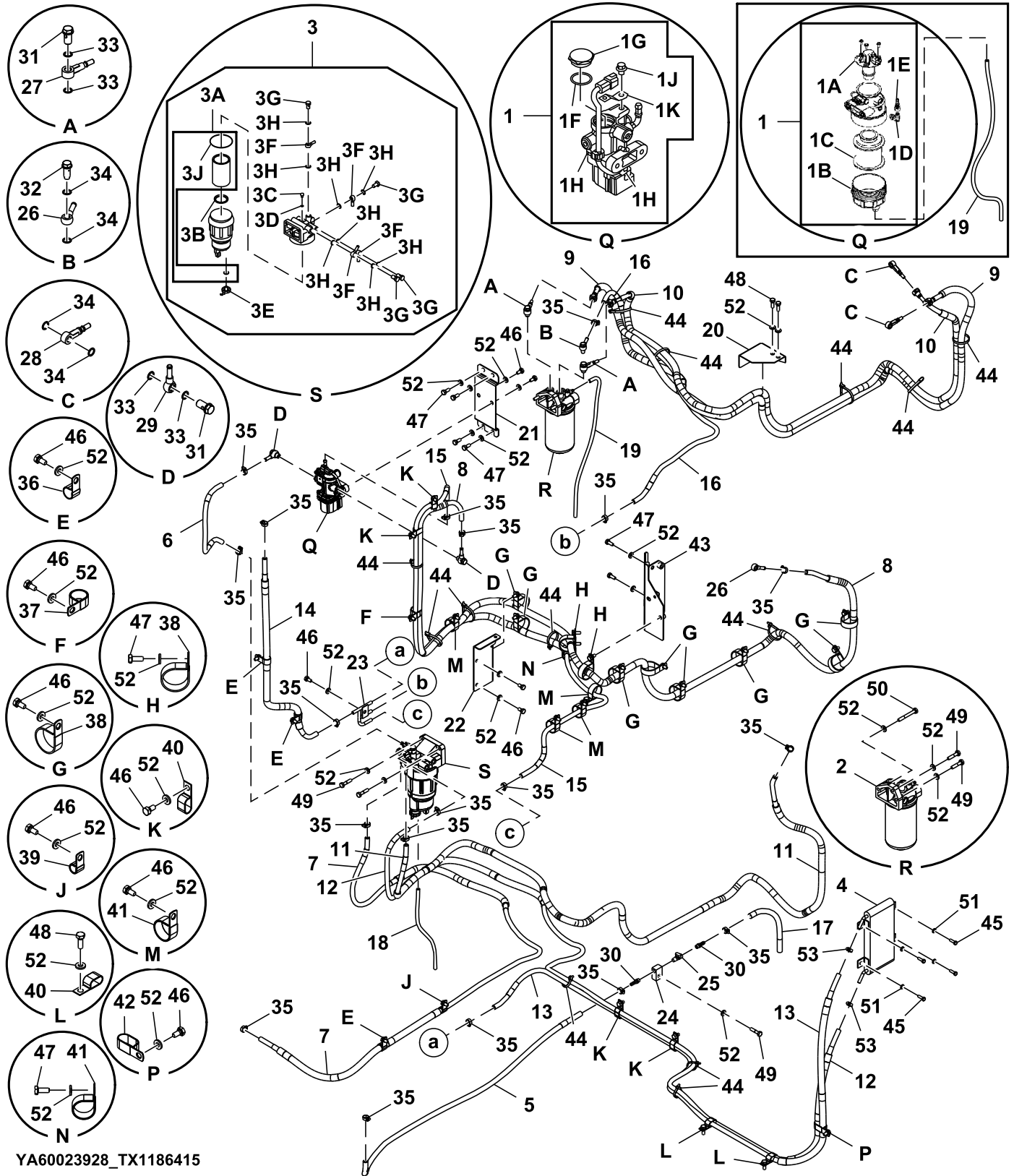


FF531412_TX1186391

Key	Part No.	Part Name	Qty.	Serial No.	Remarks
1	FF531412	Fuel Tank	1		
2	4449362	Adapter Fitting	1		
3	4660782	Float	1		
4	T211051	Gasket	1		SUB FOR 4269607
5	J780510	Bolt	5		
6	FYA00070858	Strainer	1		SUB FOR 4353560
7	FYA00057006	Filler Cap	1		SUB FOR FYA00010024
8	FYA00027433	Tube	1		SUB FOR 4121497
9	12M7064	Lock Washer	5		5 mm, SUB FOR A590905

Fuel System Hoses

TX1186415 F.1



YA60023928_TX1186415

05 Engine Auxiliary System
0560 External Fuel Supply Systems

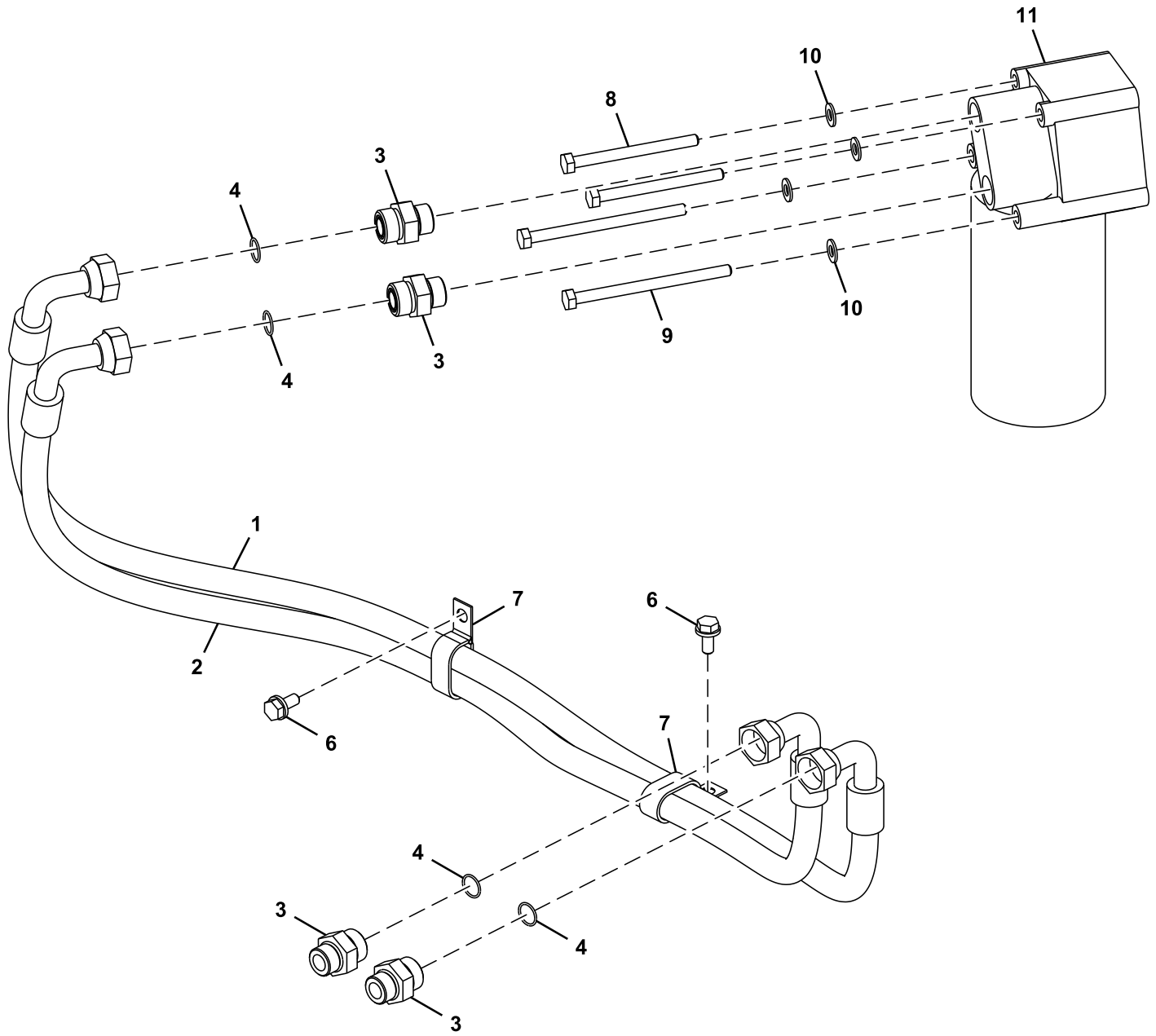
Key	Part No.	Part Name	Qty.	Serial No.	Remarks
1	FYA00024697	Filter	1	-340171	ORDER FYA00068071, FYA00024697 NLA, Furnish Components, Auxiliary Fuel Filter SUB FOR FYA00065646 AND FYA00044351, Auxiliary Fuel Filter
	FYA00068071	Fuel Pump	1	340172-	
1A	FYA00037446	Pump	1	-340171	
1B	FYA00037447	Bowl	1	-340171	Includes Water In Fuel (WIF) Sensor Primary Fuel
1C	FYA00024701	Filter Element	1	-340171	
1D	FYA00037448	Hose	1	-340171	
1E	FYA00037449	Elbow Fitting	1	-340171	
1F	FYA00047814	O-Ring	1	340172-	
1G	FYA00047815	Cap	1	340172-	
1H	FYA00047816	Clip	2	340172-	
1J	FYA00049542	Bolt	1	340172-	
1K	FYA00049543	Clip	1	340172-	
2	8982394655	Fuel Filter	1		Final Fuel, INCLUDES 8983129180; SUB FOR 8982394650, 8982394654 AND FYA00025923
	8983129180	Filter Element	1		
3	FYA00023169	Filter	1		Final Fuel, SUB FOR 8982394640 Primary Fuel Filter
3A	FYA00005785	Filter Element	1		Primary Fuel Filter
3B	4653190	Ring	1		
3C	4653191	Plug	1		
3D	4653192	Gasket	1		
3E	FYA00038582	Drain Plug	1		
3F	FYA00038581	Pipe	4		
3G	FYA00038580	Eyebolt	4		
3H	FYA00038579	Gasket	8		
3J	4653195	O-Ring	1		
3K	FYA00013900	Case	1		Includes Water In Fuel (WIF) Sensor
4	4700619	Fuel Cooler	1		
5	FYA60011326	Hose	1		
6	FYA60011825	Hose	1		
7	FYA00020822	Hose	1		ALSO ORDER TY26190; FYA60030295 NLA MAKE FROM TY26190, CTL; 4681238 NLA
	Hose Guard	1		
	Hose Guard	1		MAKE FROM TY26190, CTL 1050 mm (41.34 in); 4332697 NLA
8	FXV00001697	Hose	1		ALSO ORDER TY26190; FYA60030296 NLA MAKE FROM TY26190, CTL; FXV00001218 NLA
	Hose Guard	1		
9	FYA00023994	Hose	1		ALSO ORDER TY26190; FYA60030297 NLA MAKE FROM TY26190, CTL; FXV00001218 NLA
	Hose Guard	1		
10	FYA00005372	Hose	1		ALSO ORDER TY26190; FYA60030298 NLA MAKE FROM TY26190, CTL 2700 mm (106.29 in); 4642725 NLA
	Hose Guard	1		
11	FYA00017239	Hose	1		ALSO ORDER TY26190; FYA60030299 NLA MAKE FROM TY26190, CTL; FXV00001218 NLA
	Hose Guard	1		
12	FXV00001184	Hose	1		ALSO ORDER TY26190 AND 4642570; FYA60030300 NLA MAKE FROM TY26190, CTL; 4681238 NLA
	Hose Guard	1		
	4642570	Structural Tube	1		
13	FYA00020822	Hose	1		ALSO ORDER TY26190; FYA60030301 NLA MAKE FROM TY26190, CTL 1050 mm (41.34 in); 4332697 NLA
	Hose Guard	1		
14	FYA00015299	Hose	1		ALSO ORDER TY26190; FYA60030302 NLA MAKE FROM TY26190, CTL 1050 mm (41.34 in); 4332697 NLA
	Hose Guard	1		
15	Bulk Hose	1		MAKE FROM TY24398, CTL 2600 mm (102.36 in); ALSO ORDER TY26190; FYA60030303 AND FXV00001696 NLA MAKE FROM TY26190, CTL 650 mm (25.59 in); 4681238 NLA
	Hose Guard	1		
16	FYA00015298	Hose	1		ALSO ORDER 4686489; FYA60030304 NLA
	4686489	Tube	1		
17	Bulk Hose	1		MAKE FROM TY24398, CTL 300 mm (11.81 in); 4407161 NLA
18	Bulk Hose	1		MAKE FROM TY22324, CTL; 4652981 NLA MAKE FROM TY22324, CTL; 4686493 NLA MAKE FROM TY22324, CTL; 4686493 NLA
19	Bulk Hose	2	-340171	
	Bulk Hose	1	340172-	
20	FYA00037945	Bracket	1		
21	FYA00029007	Bracket	1		
22	FYA40020229	Bracket	1		
23	FYA40020843	Pipe	1		
24	4725406	Adapter	1		
25	4478378	Ball Cock Valve	1		
26	4452162	Line	2		SUB FOR FYA00029627
27	FYA00030683	Universal Joint	2		
28	FYA00030682	Universal Joint	2		
29	8973834270	Line	2		SUB FOR 4634911
30	4449362	Adapter Fitting	2		
31	1096750951	Eyebolt	4		SUB FOR 4634716
32	8982385990	Valve	1		Fuel Overflow, SUB FOR FYA00029626
33	1096300860	Gasket	8		
34	8982513450	Packing	6		
35	FF500009	Hose Clamp	19		SUB FOR 4514700
36	FYA00049125	Clip	3		SUB FOR 4190263
37	4193848	Clip	1		SUB FOR 4190264
38	4193816	Clip	10		SUB FOR 4190265
39	T28949	Clamp	1		SUB FOR 4190273
40	T32854	Clamp	6		SUB FOR 4190282
41	4193848	Clip	5		SUB FOR 4190291
42	R50454	Clamp	1		SUB FOR 4192034

05 Engine Auxiliary System
0560 External Fuel Supply Systems

43	FF552753	Bracket	1	
44	DH400240	Tie Band	13	
45	19M7407	Cap Screw	4	M8 X 25, SUB FOR J900825
46	19M7938	Cap Screw	27	M10 X 20, SUB FOR J901020
47	19M7402	Cap Screw	9	M10 X 25, SUB FOR J901025
48	19M7662	Cap Screw	4	M10 X 30, SUB FOR J901030
49	19M7572	Cap Screw	5	M10 X 45, SUB FOR J901045
50	19M8081	Cap Screw	1	M10 X 80, SUB FOR J901080
51	24M7055	Washer	4	8.400 X 16 X 1.600 mm, SUB FOR A590108
52	24M7346	Washer	46	11 X 20 X 2 mm, SUB FOR DH400703
53	FF500008	Hose Clamp	2	

Engine Oil Filter and Lines

TX1105786 A.1

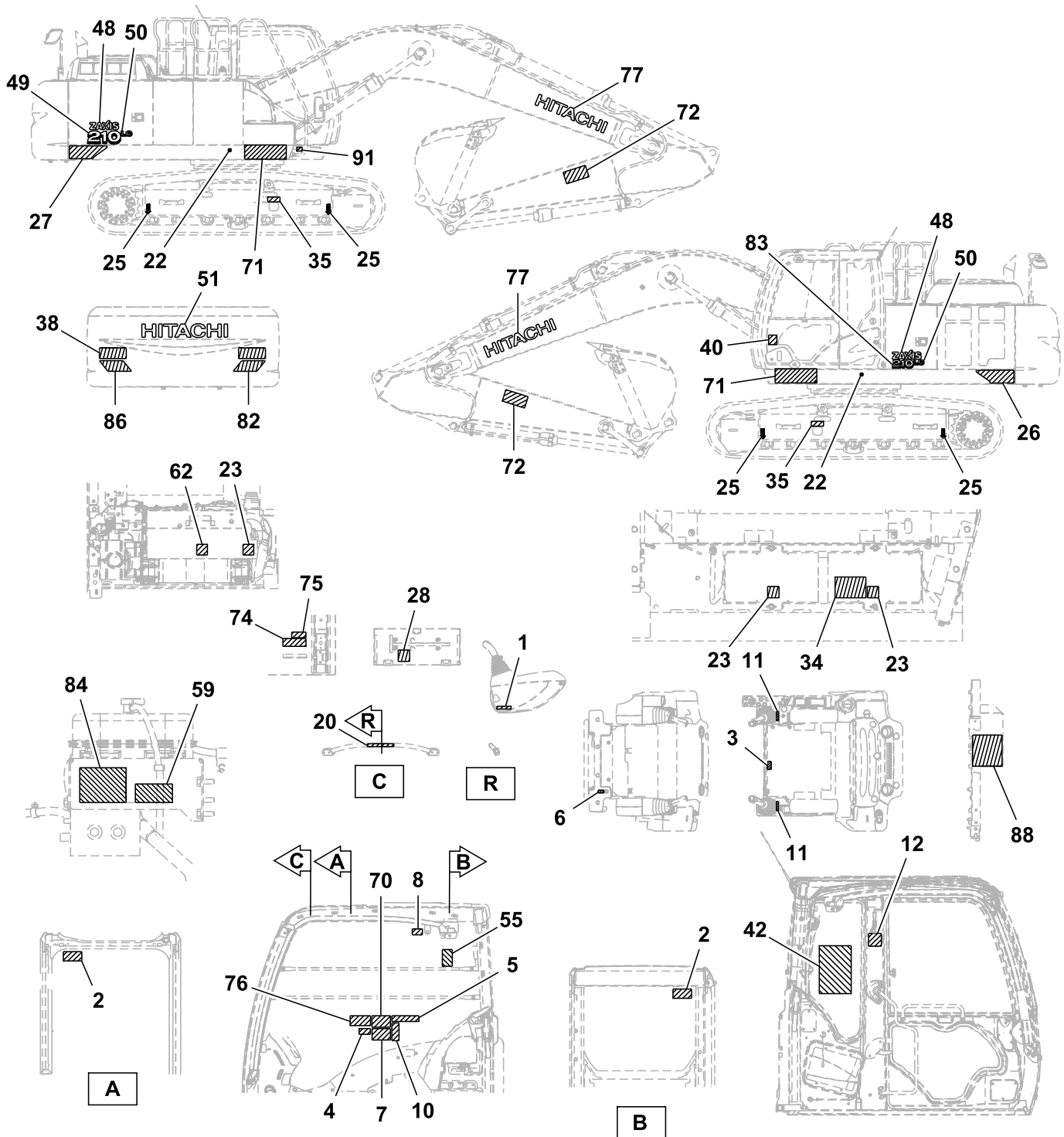


9301574_TX1105786

Key	Part No.	Part Name	Qty.	Serial No.	Remarks
1	4713048	Hydraulic Hose	1		
2	4713049	Hydraulic Hose	1		
3	4473871	Adapter Fitting	4		
4	4430912	O-Ring	4		
6	Screw With Washer	2		J271025 NLA
	19M7402	Cap Screw	2		M10 X 25, SUB FOR J901025
7	24M7346	Washer	2		11 X 20 X 2 mm, SUB FOR DH400703
	R50454	Clamp	2		SUB FOR 4192034
8	19M8343	Cap Screw	2		M10 X 120, SUB FOR J901004
9	19M8003	Cap Screw	2		M10 X 140, SUB FOR J901010
10	24M7028	Washer	4		10.500 X 20 X 2 mm, SUB FOR A590110
11	8983758660	Oil Filter	1		INCLUDES 1132402322, SUB FOR 8973243861, 4485262, 8983042431 OR 8983042430
	8983020750R	Filter Element	1		SUB FOR 8983020751, 8983020750 AND 1132402322

Decals and Labels, 1

TX1188608 F.1

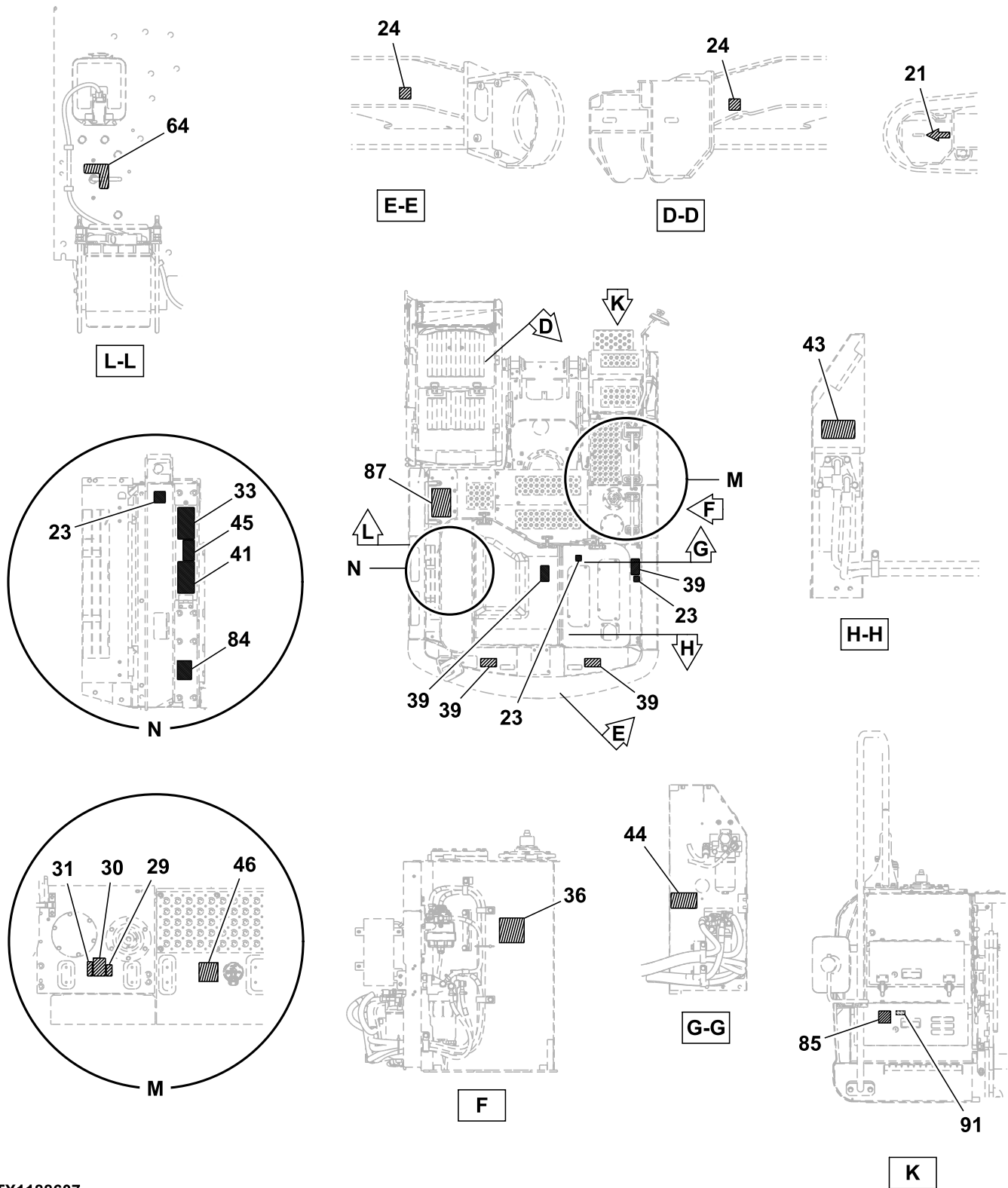


TX1188608

Key	Part No.	Part Name	Qty.	Serial No.	Remarks
1	4299059	Label	1		Lever Lock
2	4359076	Label	2		Secondary Exit
3	4371371	Label	1		Tilt Lever
4	4420332	Safety Sign	1		Operator's Manual
5	3076197	Label	1		Caution, Right Window
6	FYD00009506	Label	1		Engine Stop, SUB FOR 4650142
7	T146667	Safety Sign	1		Danger, Electric, SUB FOR 3075802
8	4371798	Label	1		Front Window Lock
10	T146097	Label	1		Warning, Seat Belt, SUB FOR 3088058
11	FYA00031089	Label	1		Operation Pattern, Right, SUB FOR 4380816
	FYA00031089	Label	1		Operation Pattern, Left, SUB FOR 4380817
12	T387695X19	Label	1		Important, Alternative Exit, English, SUB FOR T190393
	T387695X28	Label	1		Important, Alternative Exit, French
	T387695X63	Label	1		Important, Alternative Exit, Spanish
20	T223082	Safety Sign	1		Caution, Handle, SUB FOR 4467093
22	4201787	Label	1		Center Of Gravity, Includes Two Pieces
23	FYA00036143	Label	3		Do Not Stand
25	FYA00028559	Label	4		Lift Location, SUB FOR 3089138
26	FYA00039148	Label	1		Accent Stripe, Left
27	FYA00039149	Label	1		Accent Stripe, Right
28	FYA00034414	Label	1		Diesel Exhaust Fluid (DEF)
34	3068914	Label	1		Battery Fluid
35	3070527	Label	2		Track Adjuster
38	T248455	Label	2		Caution, Swing, SUB FOR T147008
40	3076246	Label	1		Frontless Machine Only
42	FYA00045146	Label	1		Lift Chart
	FYA00045147	Label	1		Lift Chart, Long Carriage (LC)
48	1033793	Label	2		Zaxis
49	FYA00042390	Label	1		210, Right
	FYA00072612	Label	1		210, Right, For Tropical Door
50	FYA00038598	Label	2		LC
51	2053330	Label	1		Hitachi
55	T361676	Label	1		FT4, English
	T361673	Label	1		FT4, French
	T361674	Label	1		FT4, Spanish
59	FYA00008686	Label	1		Warning, Fan
62	FYA00064059	Label	1		Warning, Hot Surface, SUB FOR FYA00036144
70	T248570	Label	1		Auxiliary Hydraulic Piping Only, English
	T248572	Label	1		Auxiliary Hydraulic Piping Only, French
	T248574	Label	1		Auxiliary Hydraulic Piping Only, Spanish
71	FYA00062659	Label	2		Solution Linkage
72	3092349	Safety Sign	2		Warning, Arm Operation
74	FYD00009658	Label	1		Multiple Operation, SUB FOR 4630503
75	4666312	Label	1		Attention, Pattern Changer
76	4260602	Case	1		Pattern Changer
77	2053329	Label	2		Hitachi
82	FYA00038667	Reflector	1		Right
83	FYA00042386	Label	1		210, Left
84	FYA00040733	Label	1		Belt Routing
86	FYA00038668	Reflector	1		Left
88	FF550024	Label	1		Periodic Maintenance Chart, SUB FOR FYA00038659
91	FYA00066017	Label	1		Track Sag

Labels and Decals (2)

TX1188607 C.1

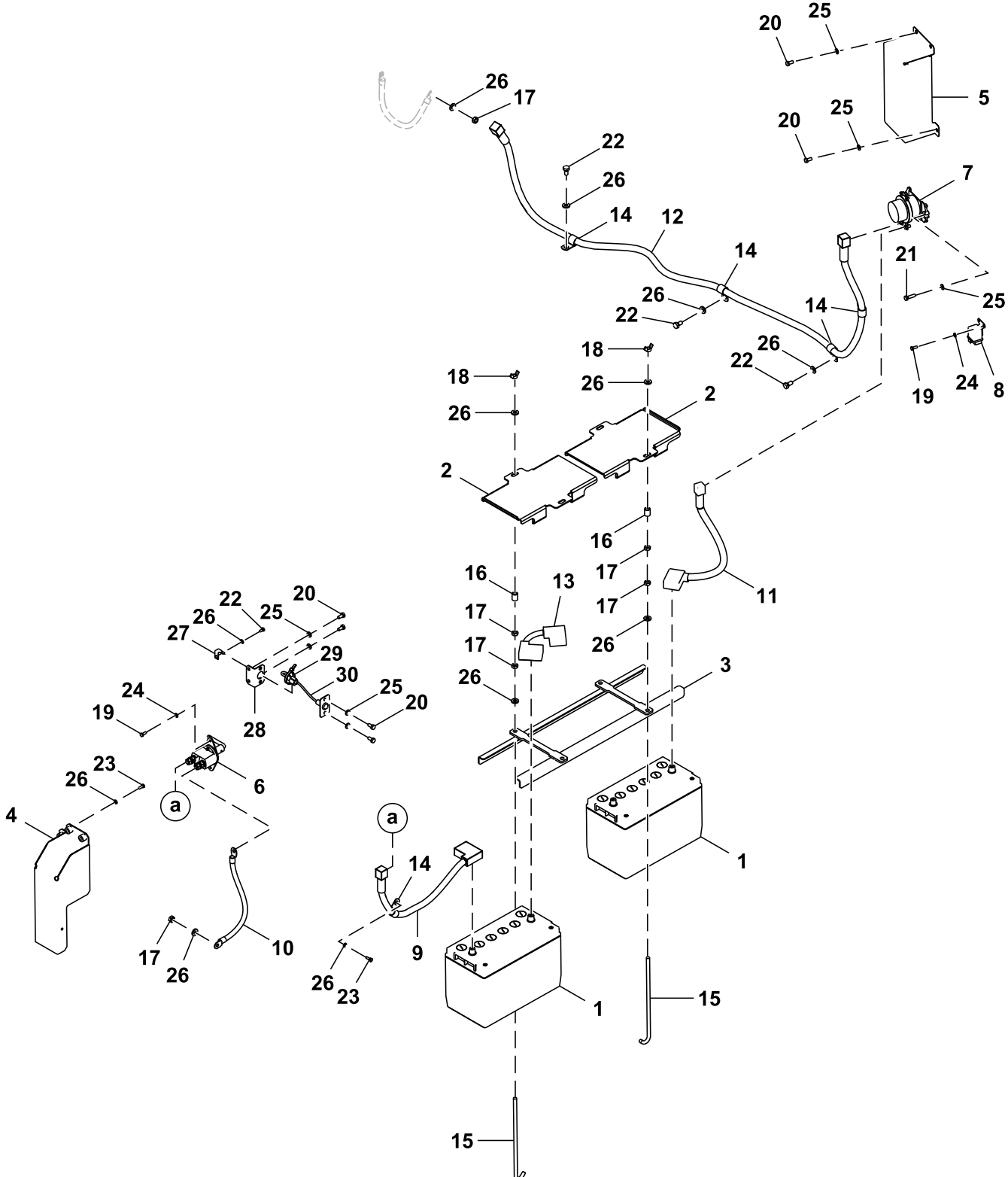


TX1188607

Key	Part No.	Part Name	Qty.	Serial No.	Remarks
21	4658927	Label	2		Arrow
23	FYA00036143	Label	3		Don't Step
24	4657778	Label	4		Fixing Position
29	P63448	Label	1		Hydraulic Tank Air Vent, SUB FOR 4371799
30	4647653	Label	1		Hydraulic Oil Cap, SUB FOR 3077560
31	T101942	Label	1		Hydraulic Oil Only, SUB FOR 4223254
33	3092352	Label	1		Caution - Fan
36	T149983	Label	1		Oil Level Check, SUB FOR 4342227
39	3092351	Label	4		Do Not Step
41	FYA00008687	Label	1		Caution - Fan
43	4672520	Plate	1		Attention: Engine Oil Filter
44	4672521	Label	1		Attention: Fuel Filter
45	FYA00003993	Label	1		Attention: Engine Oil
46	FYA00004010	Label	1		Diesel Fuel Only
64	FYA00044660	Label	1		Battery Disconnect, SUB FOR FYA00019345
84	FYA00040733	Label	2		Belt Routing
85	T338205	Label	1		Diesel Exhaust Fluid
87	4683123	Tape	1		Non-Slip Tape
91	FYA00050122	Label	1		Attention, Contamination, Add Blue Only

Batteries, Support and Cables (- 340883)

TX1186500 C.1



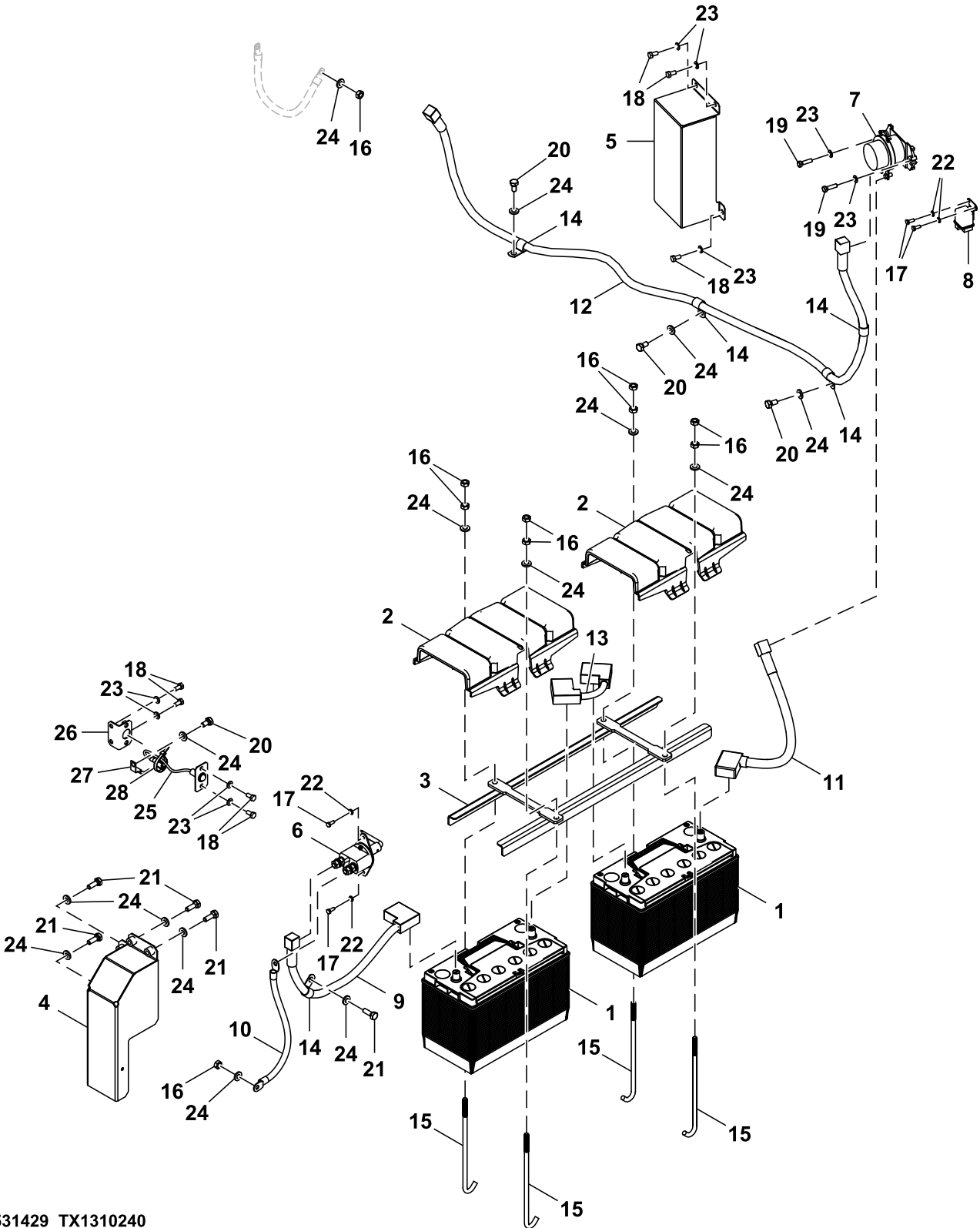
FF531429_TX1186500

16 Vehicle Electrical Systems
1671 Batteries, Support & Cables

Key	Part No.	Part Name	Qty.	Serial No.	Remarks
1	TY25803	Dry Charged Battery	2	-340855	12 V; SUB FOR FF509455
	TY25803B	Wet Charged Battery	2	340856-	12 V; SUB FOR FF500103
2	FF100596	Cover	2		
3	FF100598	Bracket	1		
4	FYA40018399	Cover	1		
5	FF510981	Cover	1		SUB FOR 3100949
6	FYA00005845	Switch	1		Battery Disconnect, INCLUDES FYA00029403
	FYA00029403	Lever	1		
7	4255762	Relay	1		Battery, 24 V; SUB FOR 8943795431
8	8944607061	Relay	1		Glow Plug, SUB FOR 4654039
9	FF531431	Battery Cable	1		
10	FF531432	Wiring Harness	1		Battery Cable
11	FF104174	Wiring Harness	1		Battery
12	4627419	Battery Cable	1		
13	DH400410	Battery Cable	1		
14	4190274	Clip	5		
15	4430289	Rod	4		
16	FF100597	Spacer	4		
17	14M7274	Nut	10		M10, SUB FOR J950010
18	14M7025	Wing Nut	4		M10, SUB FOR M570010
19	19M7560	Cap Screw	4		M6 X 16, SUB FOR J900616
20	19M7162	Cap Screw	7		M8 X 16, SUB FOR J900816
21	19M7288	Cap Screw	2		M8 X 30, SUB FOR J900830
22	19M7938	Cap Screw	4		M10 X 20, SUB FOR J901020
23	19M7662	Cap Screw	5		M10 X 30, SUB FOR J901030
24	24M7054	Washer	4		6.400 X 12 X 1.600 mm, SUB FOR A590106
25	24M7055	Washer	9		8.400 X 16 X 1.600 mm, SUB FOR A590108
26	24M7346	Washer	19		11 X 20 X 2 mm, SUB FOR DH400703
27	4257159	Bracket	1		SUB FOR 4336875
28	FYA40037260	Bracket	1		
29	H77698	Tie Band	1		SUB FOR 4055311
30	FYA00058359	Lamp	1		24 V; SUB FOR FYA00046227

Batteries, Support, and Cables (340884 -)

TX1310240 A.1



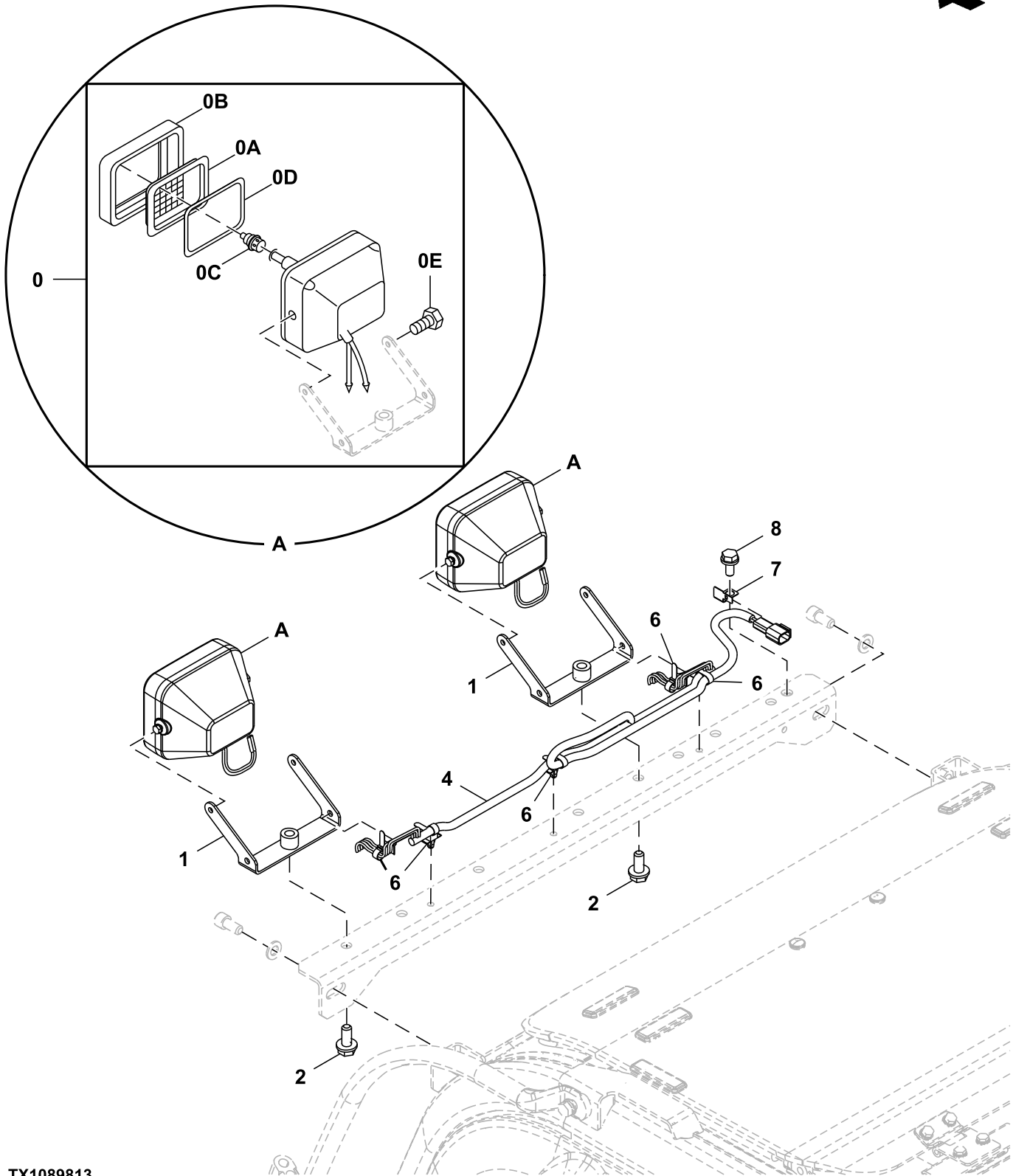
FF531429_TX1310240

16 Vehicle Electrical Systems
1671 Batteries, Support & Cables

Key	Part No.	Part Name	Qty.	Serial No.	Remarks
1	TY25803B	Wet Charged Battery	2		12 V; SUB FOR FF500103
2	FF552059	Cover	2		
3	FF100598	Bracket	1		
4	FYA40018399	Cover	1		
5	FF510981	Cover	1		SUB FOR 3100949
6	FYA00005845	Switch	1		Battery Disconnect, INCLUDES FYA00029403
7	FYA00029403	Lever	1		
8	4255762	Relay	1		Battery, 24 V; SUB FOR 8943795431
8	8944607061	Relay	1		Glow Plug, SUB FOR 4654039
9	FF531431	Battery Cable	1		
10	FF531432	Wiring Harness	1		Battery Cable
11	FF104174	Wiring Harness	1		Battery
12	4627419	Battery Cable	1		
13	DH400410	Battery Cable	1		
14	4190274	Clip	5		
15	FF551314	Hook Bolt	4		
16	14M7274	Nut	10		M10, SUB FOR J950010
17	19M7560	Cap Screw	4		M6 X 16, SUB FOR J900616
18	19M7162	Cap Screw	7		M8 X 16, SUB FOR J900816
19	19M7288	Cap Screw	2		M8 X 30, SUB FOR J900830
20	19M7938	Cap Screw	4		M10 X 20, SUB FOR J901020
21	19M7662	Cap Screw	5		M10 X 30, SUB FOR J901030
22	24M7054	Washer	4		6.400 X 12 X 1.600 mm, SUB FOR A590106
23	24M7055	Washer	9		8.400 X 16 X 1.600 mm, SUB FOR A590108
24	24M7346	Washer	15		11 X 20 X 2 mm, SUB FOR DH400703
25	FYA00058359	Lamp	1		24 V; SUB FOR FYA00046227
26	FYA40037260	Bracket	1		
27	4257159	Bracket	1		SUB FOR 4336875
28	H77698	Tie Band	1		SUB FOR 4055311

Front Lights

TX1089813 E.1

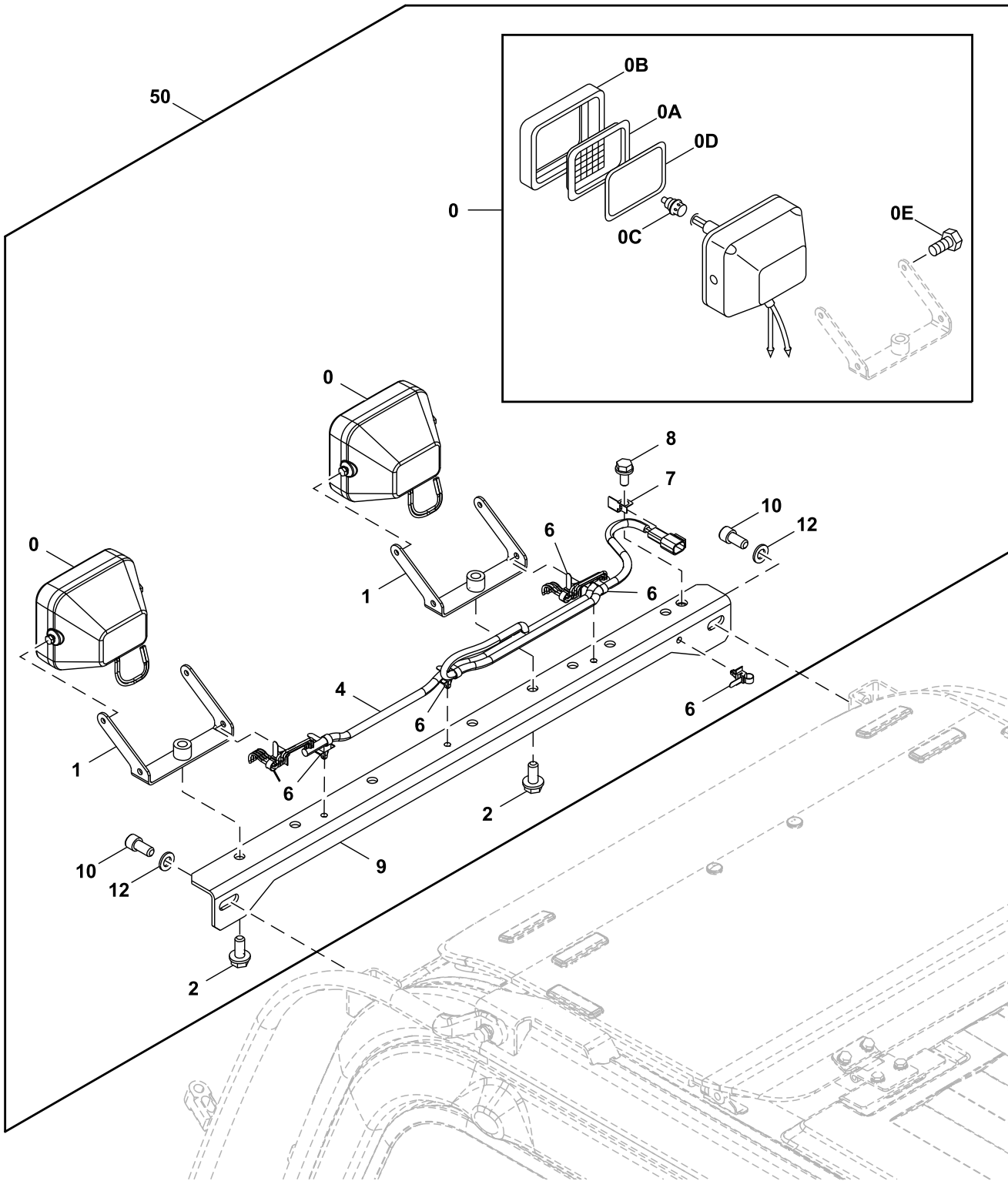


TX1089813

Key	Part No.	Part Name	Qty.	Serial No.	Remarks
0	4274478	Headlight	2		
0A	4285646	Lens	1		
0B	4285647	Rim	1		
0C	AT135758	Bulb	1		28 V, 75 W, SUB FOR 4285648
0D	4288342	Gasket	1		
0E	Screw With Washer	1		J900616 NLA
	19M7560	Cap Screw	2		M6 X 16
	24M7054	Washer	2		6.400 X 12 X 1.600 mm
1	8104656	Bracket	2		
2	Screw With Washer	2		J271230 NLA
	19M8011	Cap Screw	2		M12 X 30, SUB FOR J901230
	DH400704	Washer	2		
4	4652915	Wiring Harness	1		Front Lights
6	4259220	Clip	5		
7	4602634	Bracket	1		SUB FOR 4257159
8	Screw With Washer	1		J271025 NLA
	19M7402	Cap Screw	1		M10 X 25, SUB FOR J901025
	24M7346	Washer	1		11 X 20 X 2 mm, SUB FOR DH400703

Front Cab Lights, Halogen

TX1163305 B.2

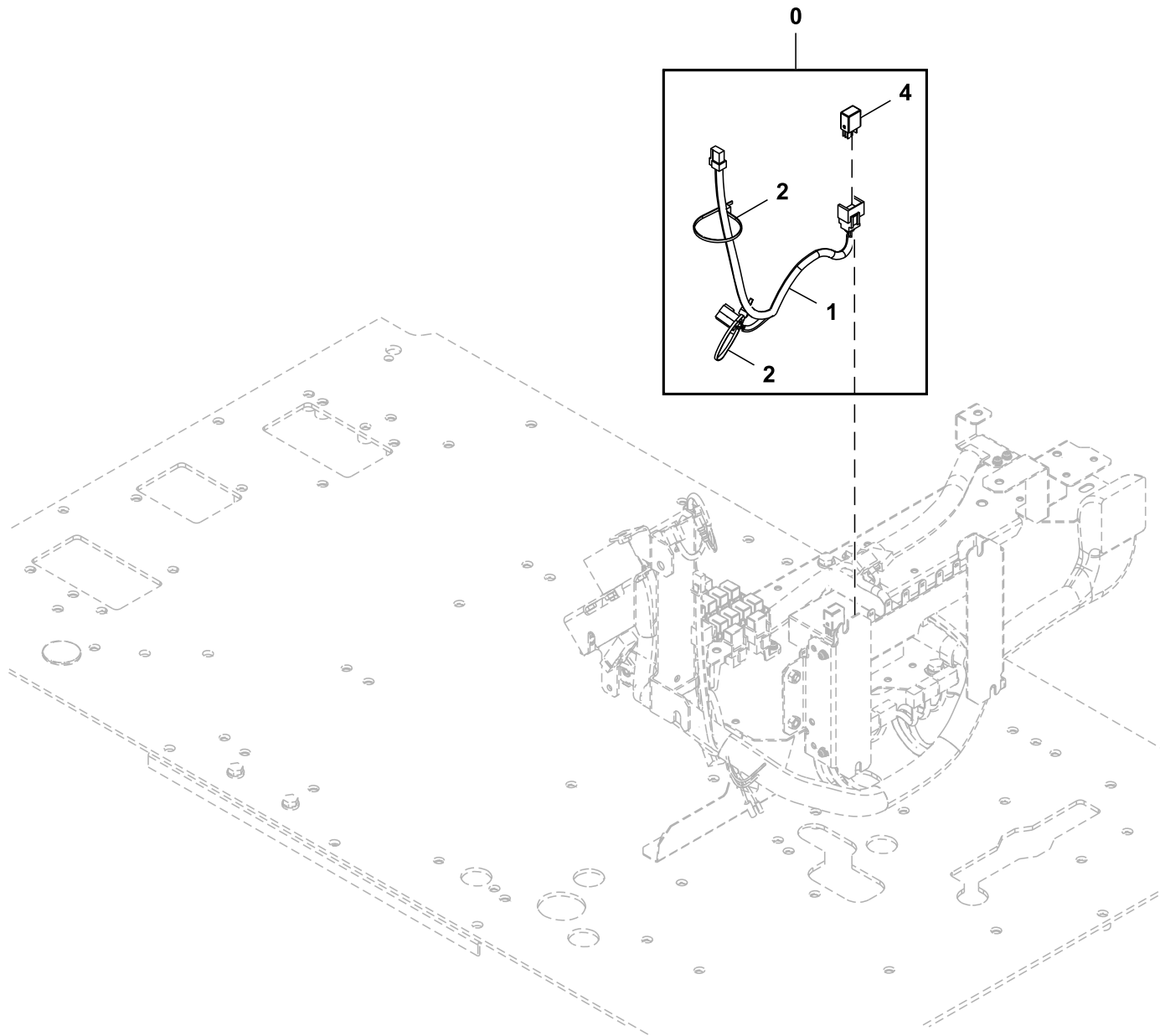


TX1163305

Key	Part No.	Part Name	Qty.	Serial No.	Remarks
0	4274478	Headlight	2		
0A	4285646	Lens	1		
0B	4285647	Rim	1		
0C	AT135758	Bulb	1		SUB FOR 4285648, 24 V
0D	4288342	Gasket	1		
0E	Screw With Washer	2		J260616 NLA
	19M7560	Cap Screw	2		M6 X 16, SUB FOR J900616
	24M7054	Washer	2		6.400 X 12 X 1.600 mm
1	8104656	Bracket	2		
2	Screw With Washer	2		J271230 NLA
	19M8011	Cap Screw	2		M12 X 30
	24M7346	Washer	2		11 X 20 X 2 mm
4	4652915	Wiring Harness	1		Front Cab Lights
6	4259220	Clip	6		
7	4602634	Bracket	1		SUB FOR 4257159
8	Screw With Washer	1		J271025 NLA
	19M7402	Cap Screw	1		M10 X 25, SUB FOR J901025
	24M7346	Washer	1		11 X 20 X 2 mm, SUB FOR J222010
9	7054613	Bracket	1		
10	J781225	Bolt	2		
12	24M7047	Washer	2		13 X 24 X 2.500 mm, SUB FOR A590112
50	AT396663	Field Installation Kit	1		Whole Goods, Additional Components On Separate Pages

Cab Headlamp Wiring Harness

TX1156821 C.1



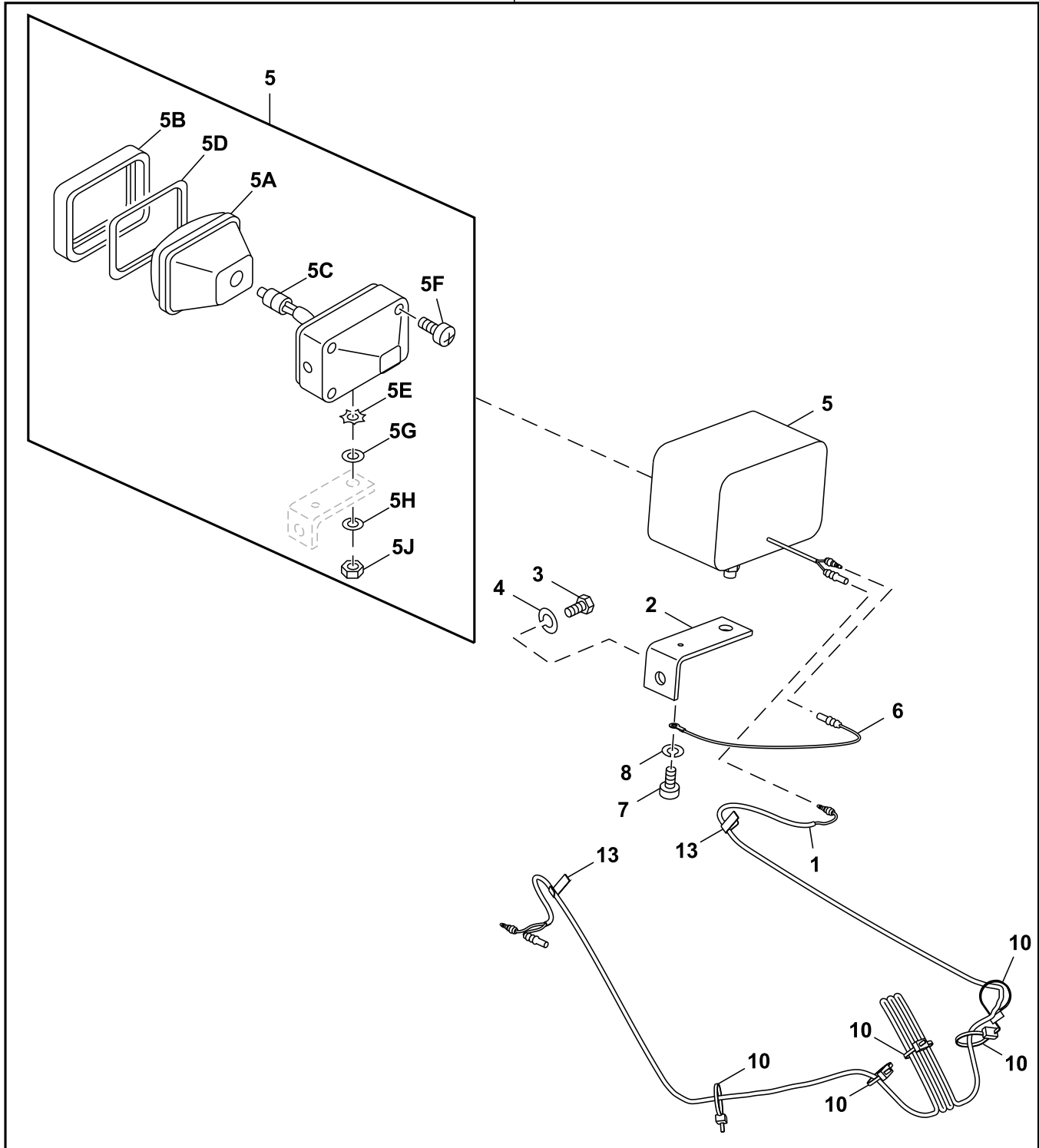
TX1156821

Key	Part No.	Part Name	Qty.	Serial No.	Remarks
0	AT396663	Field Installation Kit	1		Whole Goods, Additional Components On Separate Pages
1	4680516	Wiring Harness	1		Cab Headlamp
2	H77698	Tie Band	2		SUB FOR 4055312
4	4436534	Relay	1		Cab Headlamp

Boom Work Light, Halogen

TX1098599 B.1

0

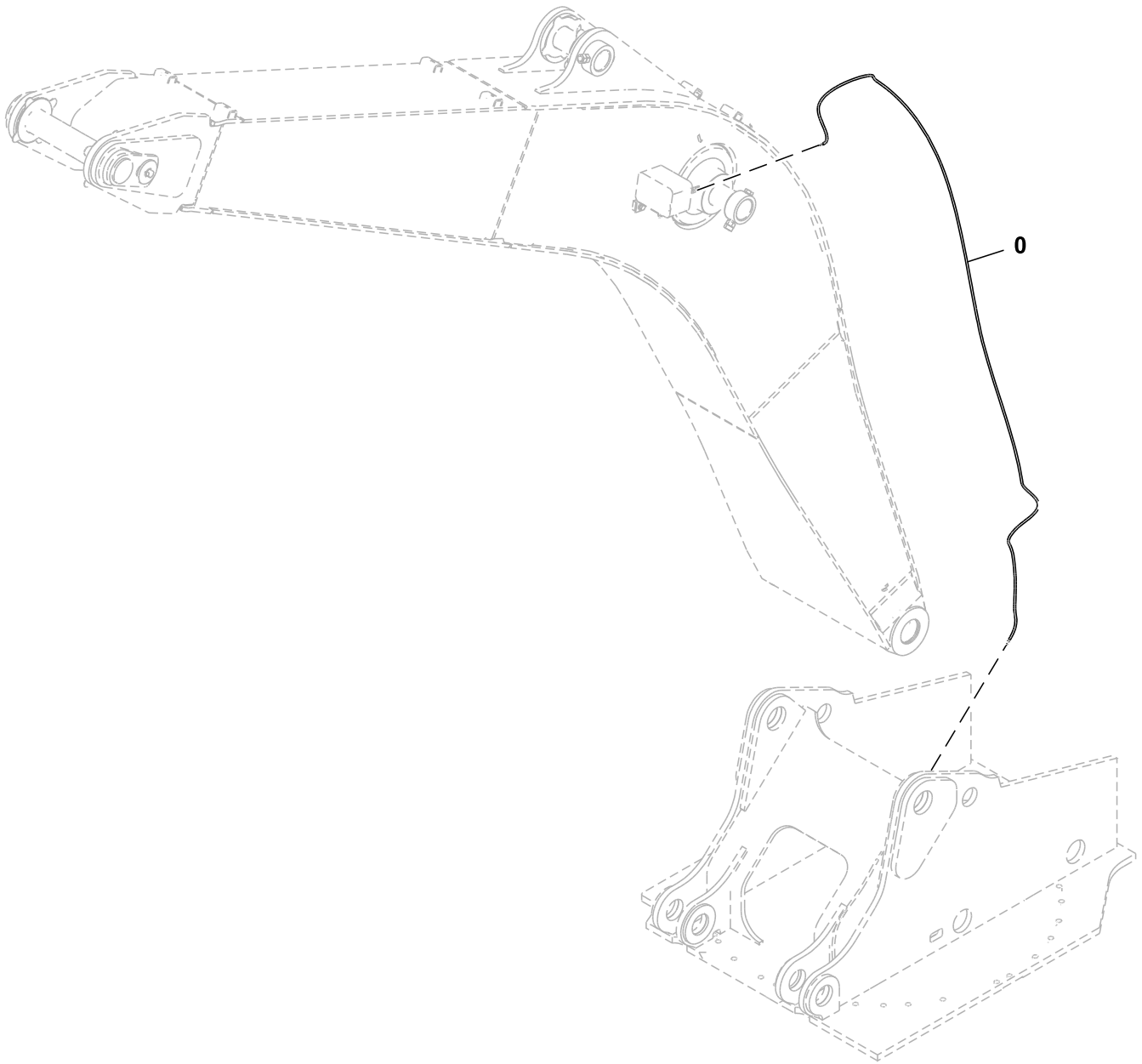


TX1098599

Key	Part No.	Part Name	Qty.	Serial No.	Remarks
0	AT396663	Field Installation Kit	1		Whole Goods, Additional Components On Separate Pages
1	4344125	Wiring Harness	1		Boom Work Light
2	4224631	Angle	1		
3	19M7877	Cap Screw	1		M14 X 30, SUB FOR J901430
4	J222014	Washer	1		
5	4326800	Lamp	1		SUB FOR 4336570
5A	4326801	Lens	1		
5B	4326802	Frame	1		
5C	AT135758	Bulb	1		SUB FOR 4285648, 24 V
5D	4326803	Gasket	1		
5E	4307026	Washer	1		
5F	37H19	Screw	1		SUB FOR 4307027
5G	24M7085	Washer	1		15 X 28 X 2.500 mm, SUB FOR A590114
5H	12H317	Lock Washer	1		9/16", SUB FOR A590914
5J	14M7345	Nut	1		M14, SUB FOR J952014
6	4254604	Wiring Harness	1		Boom Light Ground
7	21M7285	Screw	1		M6 X 12, SUB FOR M430613
8	12M7006	Lock Washer	1		6 mm, SUB FOR A590906
10	H77698	Tie Band	5		SUB FOR 4055311
13	4272256	Clip	2		

Boom Light Wiring Harness, Mono Boom

TX1170914 A.1

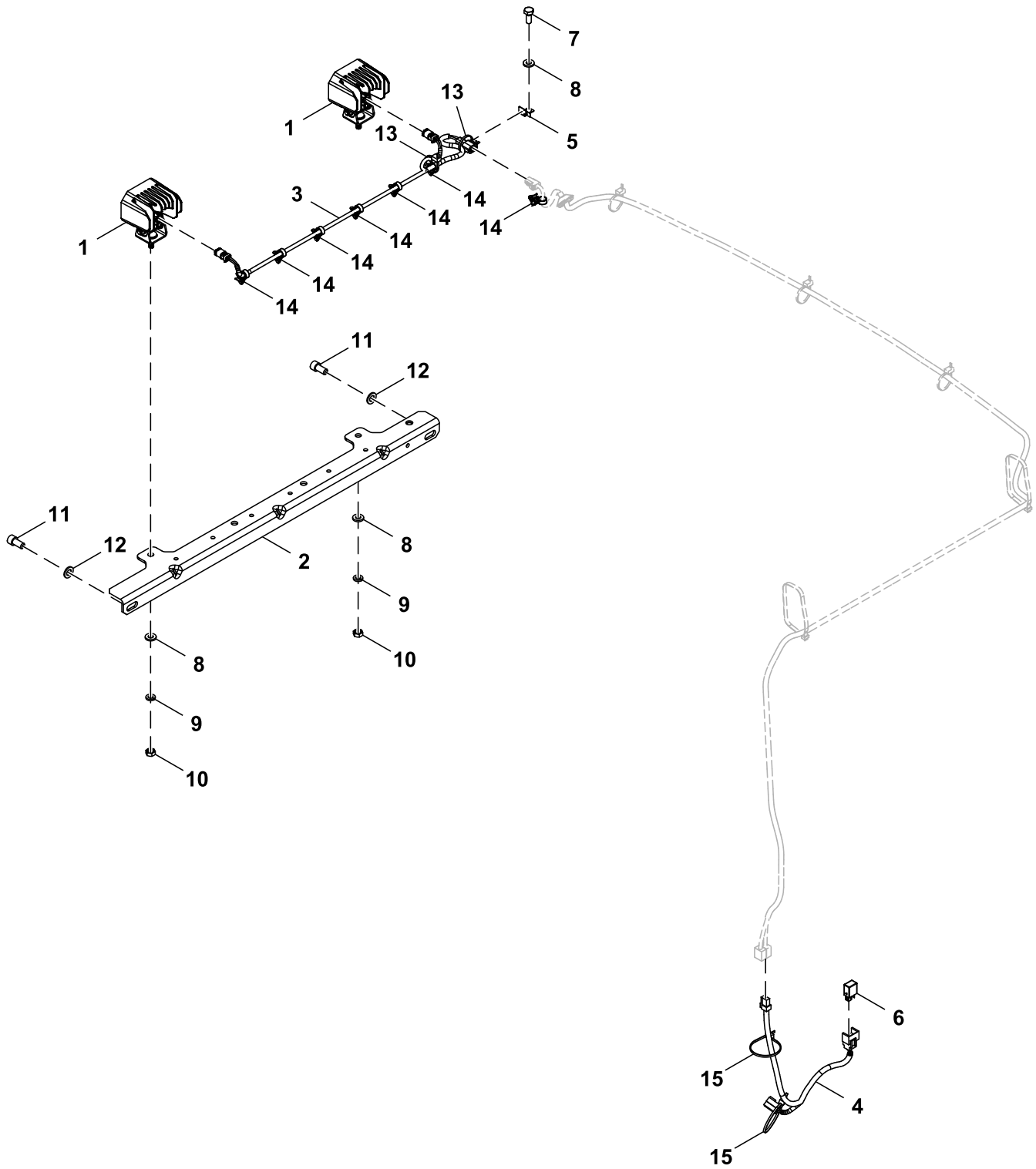


TX1170914

<i>Key</i>	<i>Part No.</i>	<i>Part Name</i>	<i>Qty.</i>	<i>Serial No.</i>	<i>Remarks</i>
0	4437513	Wiring Harness	1		Boom Light

Front Cab Lights, LED (340457 - 340885)

TX1248167 A.1

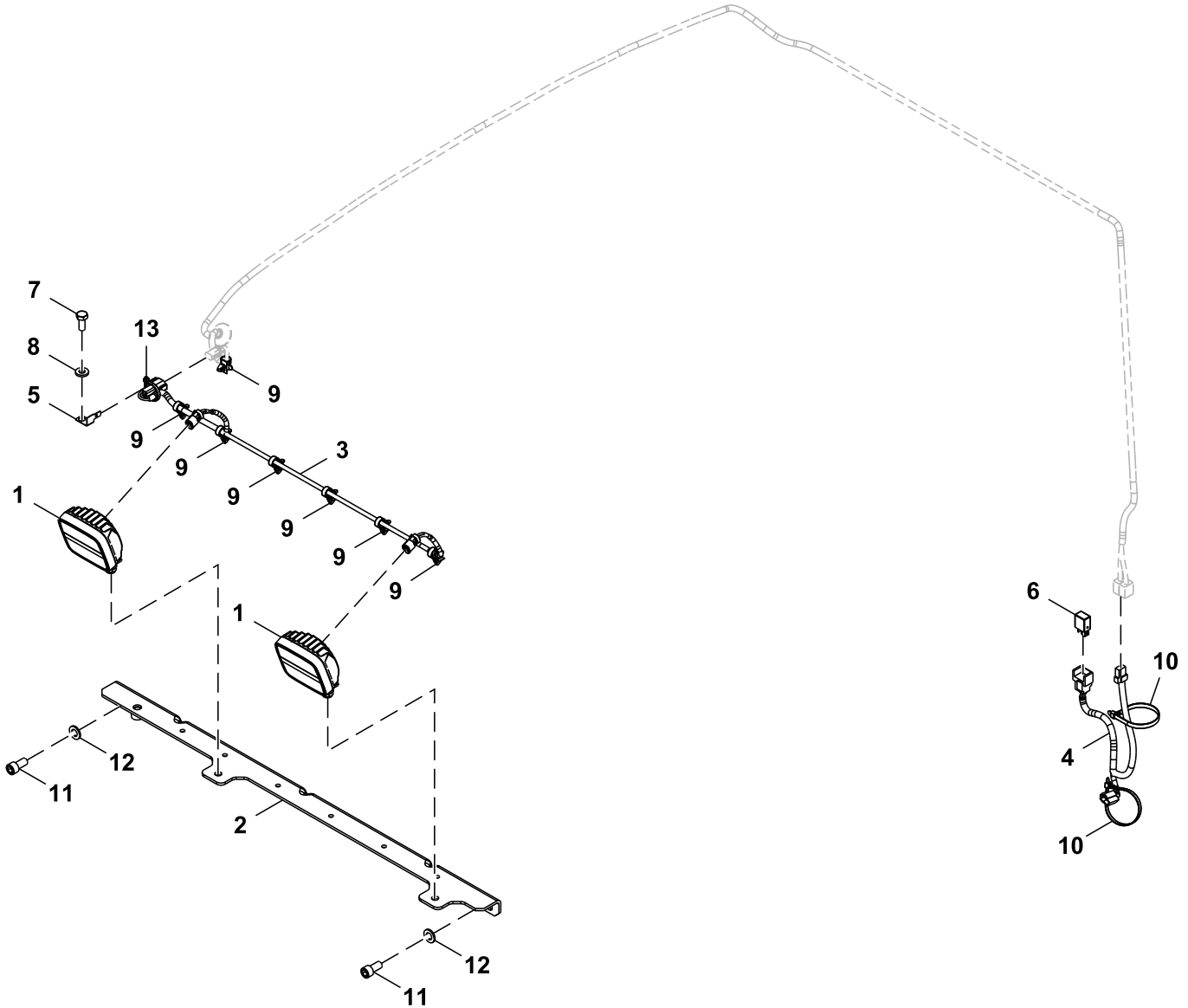


FF550918_TX1248167

Key	Part No.	Part Name	Qty.	Serial No.	Remarks
1	AT470333	Headlight	2		Work, LED
2	FF551877	Bracket	1		
3	AT482231	Wiring Harness	1		Light, LED
4	4680516	Wiring Harness	1		Headlamp
5	4602634	Bracket	1		SUB FOR 4257159
6	4436534	Relay	1		24 V
7	19M7402	Cap Screw	1		M10 X 25, SUB FOR J901025
8	24M7346	Washer	3		11 X 20 X 2 mm, SUB FOR DH400703
9	12M7066	Lock Washer	2		10 mm, SUB FOR A590910
10	14M7274	Nut	2		M10, SUB FOR J950010
11	J781225	Bolt	2		
12	24M7047	Washer	2		13 X 24 X 2.500 mm, SUB FOR A590112
13	H77698	Tie Band	2		SUB FOR 4055311
14	4259220	Clip	7		
15	DH400240	Tie Band	2		

Front Cab Lights, LED (340886 -)

TX1309941 A.1

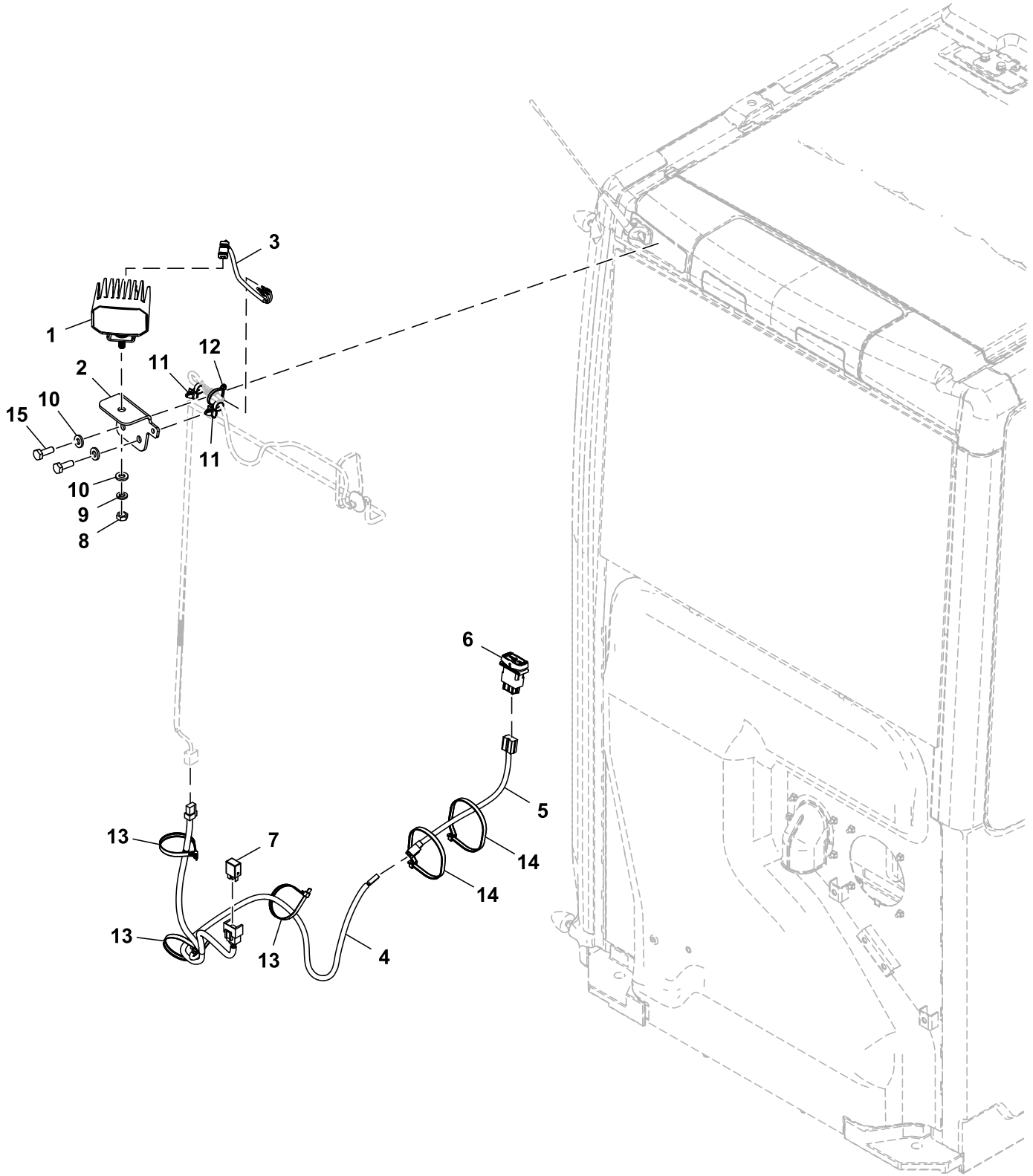


FF557311_TX1309941

Key	Part No.	Part Name	Qty.	Serial No.	Remarks
1	FF557011	Lamp	2		Work, LED
2	FF551877	Bracket	1		
3	AT482231	Wiring Harness	1		Light, LED
4	4680516	Wiring Harness	1		Headlamp
5	4602634	Bracket	1		SUB FOR 4257159
6	4436534	Relay	1		24 V
7	19M7402	Cap Screw	1		M10 X 25, SUB FOR J901025
8	24M7346	Washer	1		11 X 20 X 2 mm, SUB FOR DH400703
9	4259220	Clip	7		
10	DH400240	Tie Band	2		
11	J781225	Bolt	2		
12	24M7047	Washer	2		13 X 24 X 2.500 mm, SUB FOR A590112
13	H77698	Tie Band	1		SUB FOR 4055311

Rear Cab Lights, LED (340457 - 340885)

TX1250590 A.1

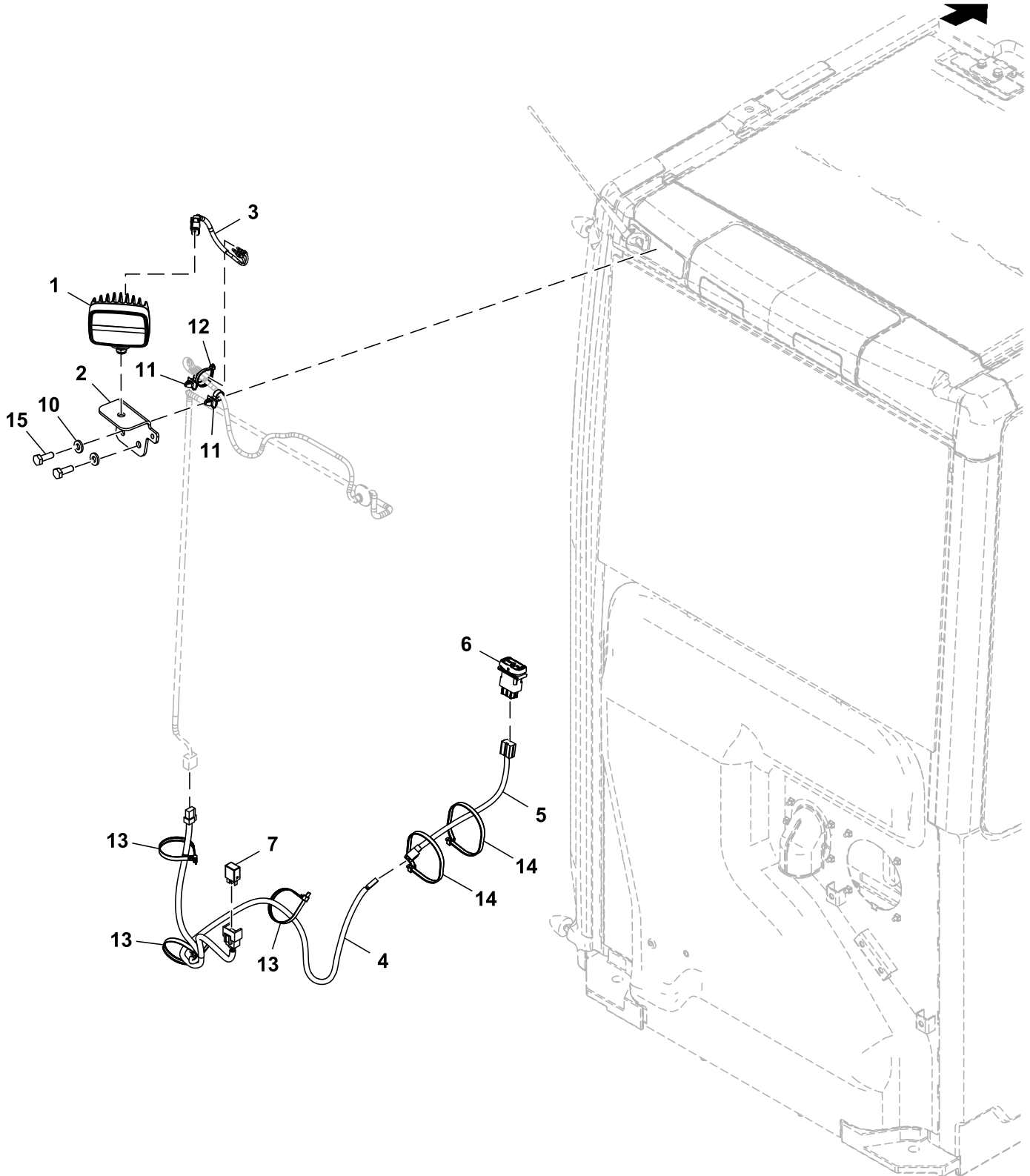


FF550917_TX1250590

Key	Part No.	Part Name	Qty.	Serial No.	Remarks
1	AT470333	Headlight	1		
2	FF551838	Bracket	1		
3	AT480367	Wiring Harness	1		LED Light
4	4660475	Wiring Harness	1		Rear Head Lamp
5	4659092	Wiring Harness	1		SUB FOR 4652003, Rear Head Lamp
6	FYA00031884	Switch	1		Light
7	4436534	Relay	1		24 V, Rear Head Lamp
8	14M7274	Nut	1		M10, SUB FOR J950010
9	12M7066	Lock Washer	1		10 mm, SUB FOR A590910
10	24M7346	Washer	3		11 X 20 X 2 mm, SUB FOR DH400703
11	4259220	Clip	2		
12	H77698	Tie Band	1		SUB FOR 4055311
13	DH400240	Tie Band	3		
14	H77698	Tie Band	2		SUB FOR 4121859
15	19M7662	Cap Screw	2		M10 X 30, SUB FOR J901030

Rear Cab Lights, LED (340886 -)

TX1309949 A.1

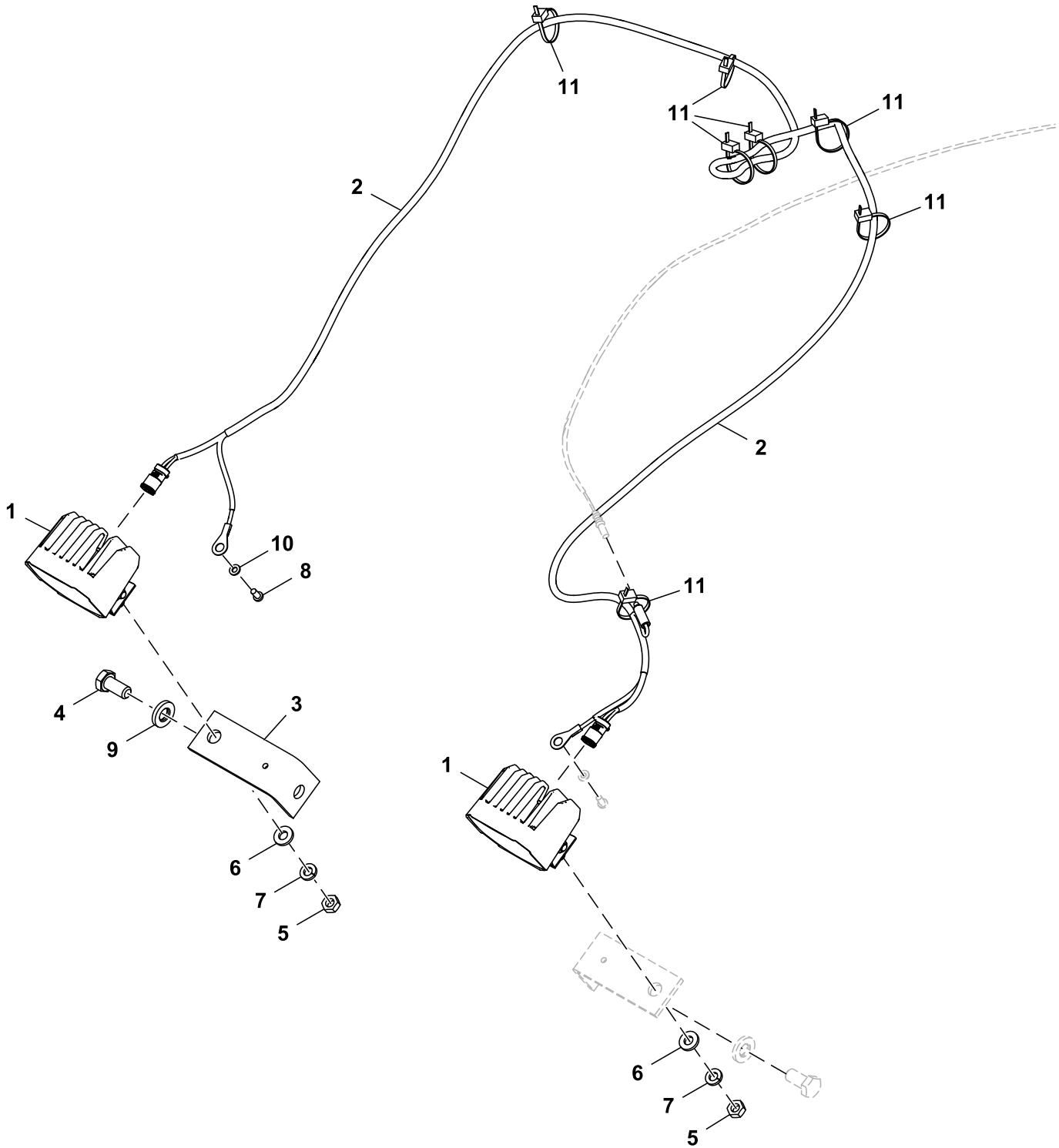


FF557313_TX1309949

Key	Part No.	Part Name	Qty.	Serial No.	Remarks
1	FF557011	Lamp	1		Work, LED
2	FF551838	Bracket	1		
3	AT480367	Wiring Harness	1		LED Light
4	4660475	Wiring Harness	1		Rear Headlamp
5	4659092	Wiring Harness	1		Rear Headlamp, SUB FOR 4652003
6	FYA00031884	Switch	1		Light
7	4436534	Relay	1		24 V, Rear Headlamp
10	24M7346	Washer	2		11 X 20 X 2 mm, SUB FOR DH400703
11	4259220	Clip	2		
12	H77698	Tie Band	1		SUB FOR 4055311
13	DH400240	Tie Band	3		
14	H77698	Tie Band	2		SUB FOR 4121859
15	19M7662	Cap Screw	2		M10 X 30, SUB FOR J901030

Boom Work Light, LED (340457 - 340885)

TX1251268 A.1

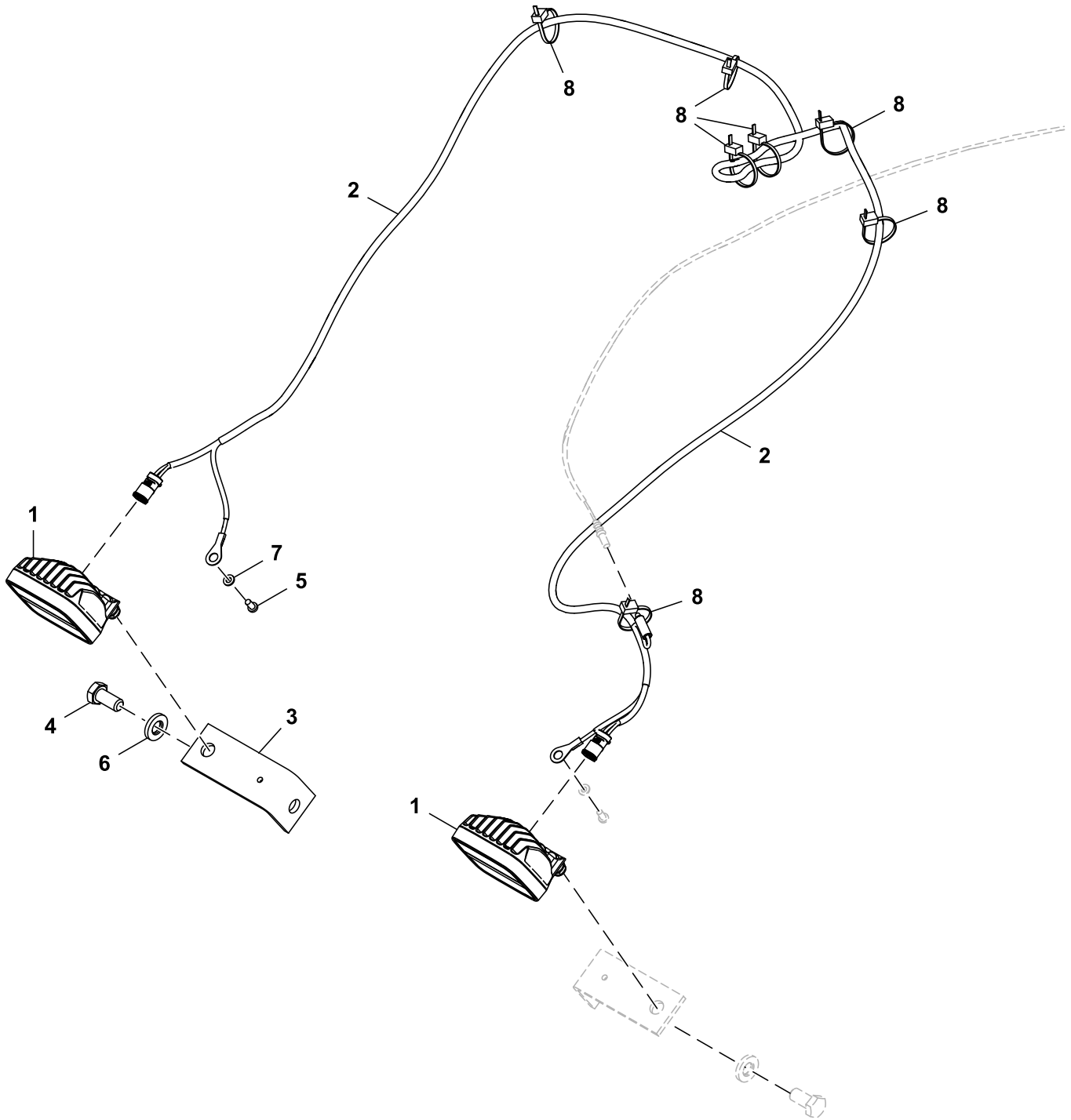


FF551268_TX1251268

Key	Part No.	Part Name	Qty.	Serial No.	Remarks
1	AT470333	Headlight	2		
2	AT481488	Wiring Harness	1		Boom Work Light
3	4224631	Angle	1		
4	19M7877	Cap Screw	1		M14 X 30, SUB FOR J901430
5	14M7274	Nut	2		M10, SUB FOR J950010
6	24M7346	Washer	2		11 X 20 X 2 mm, SUB FOR DH400703
7	12M7066	Lock Washer	2		10 mm, SUB FOR A590910
8	21M7285	Screw	1		M6 X 12, SUB FOR M430613
9	J222014	Washer	1		
10	12M7006	Lock Washer	1		6 mm, SUB FOR A590906
11	H77698	Tie Band	7		SUB FOR 4055311

Boom Work Light, LED (340886 -)

TX1309952 A.1

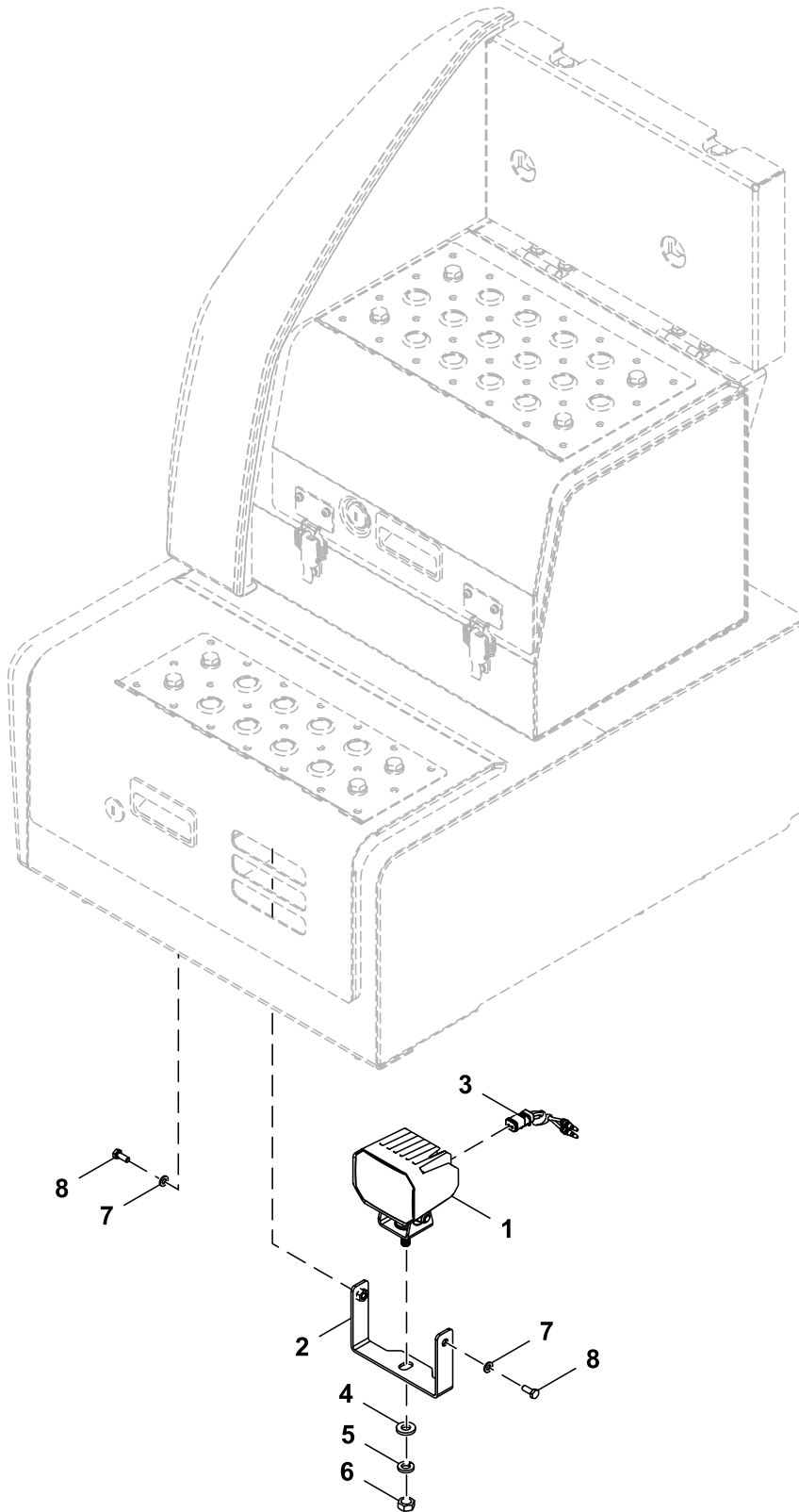


FF557309_TX1309952

Key	Part No.	Part Name	Qty.	Serial No.	Remarks
1	FF557011	Lamp	2		Work, LED
2	AT481488	Wiring Harness	1		Boom Work Light
3	4224631	Angle	1		
4	19M7877	Cap Screw	1		M14 X 30, SUB FOR J901430
5	21M7285	Screw	1		M6 X 12, SUB FOR M430613
6	J222014	Washer	1		
7	12M7006	Lock Washer	1		6 mm, SUB FOR A590906
8	H77698	Tie Band	7		SUB FOR 4055311

Toolbox Light, LED (340457 - 340885)

TX1252299 A.1

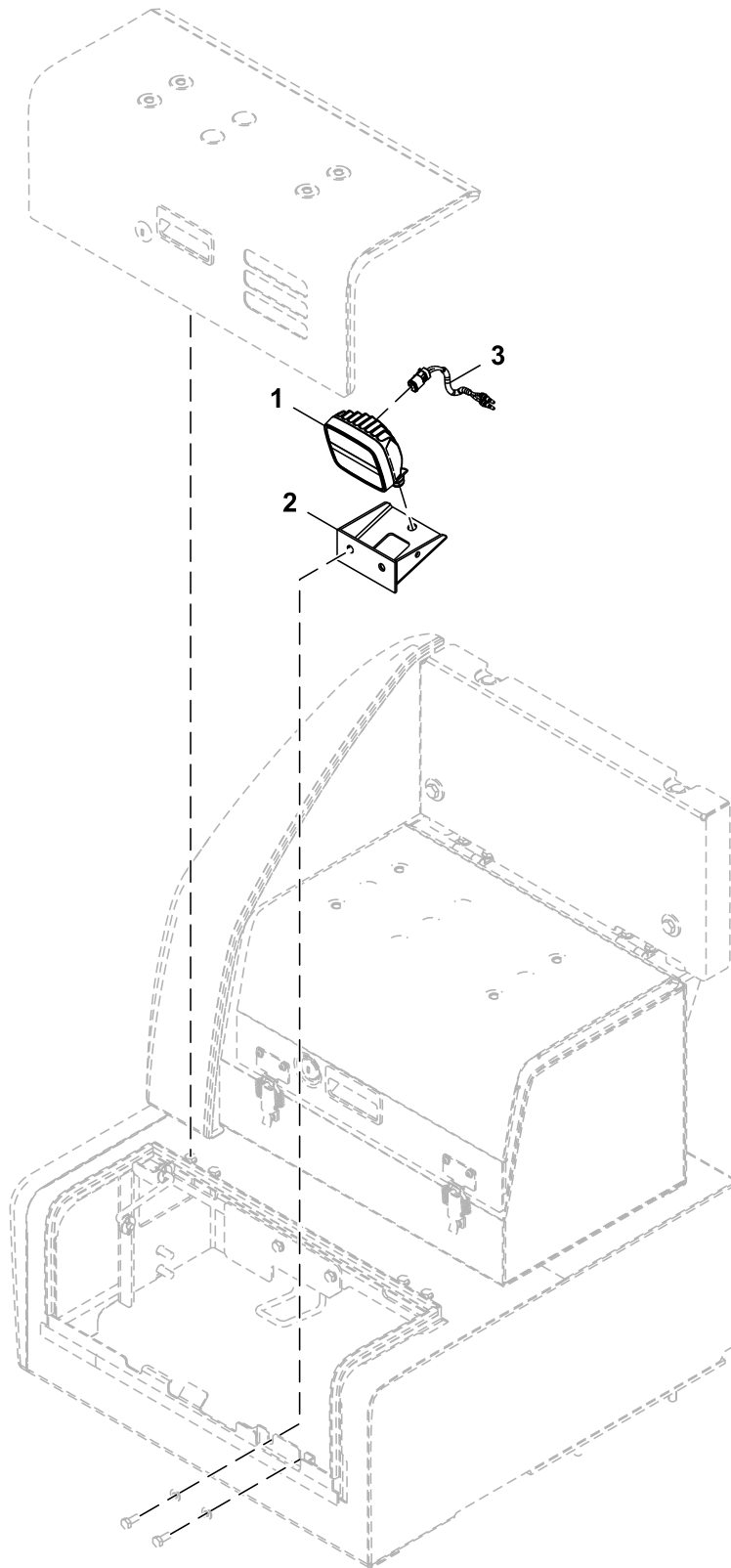


FF550939_TX1252299

Key	Part No.	Part Name	Qty.	Serial No.	Remarks
1	AT470333	Headlight	1		LED
2	FF550823	Bracket	1		
3	AT480367	Wiring Harness	1		LED Light
4	24M7346	Washer	1		11 X 20 X 2 mm, SUB FOR DH400703
5	12M7066	Lock Washer	1		10 mm, SUB FOR A590910
6	14M7274	Nut	1		M10, SUB FOR J950010
7	24M7054	Washer	2		6,400 X 12 X 1,600 mm, SUB FOR A590106
8	19M7560	Cap Screw	2		M6 X 16, SUB FOR J900616

Toolbox Light, LED (340886 -)

TX1310074 A.1

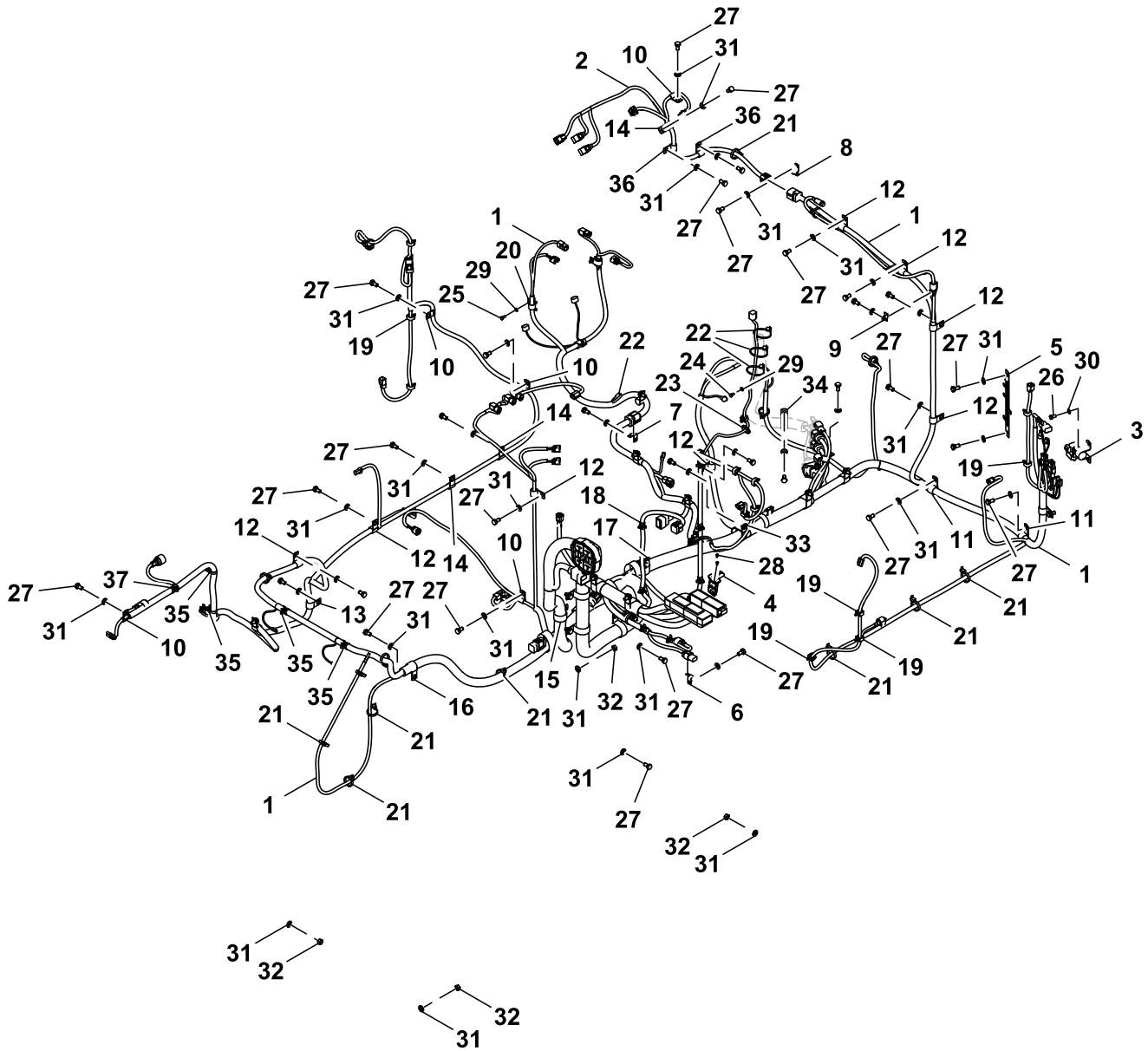


FF557314_TX1310074

<i>Key</i>	<i>Part No.</i>	<i>Part Name</i>	<i>Qty.</i>	<i>Serial No.</i>	<i>Remarks</i>
1	FF557011	Lamp	1		LED
2	FYA40037955	Bracket	1		
3	AT480367	Wiring Harness	1		LED Light

Machine Wiring Harness (- 340456)

TX1189129 C.1



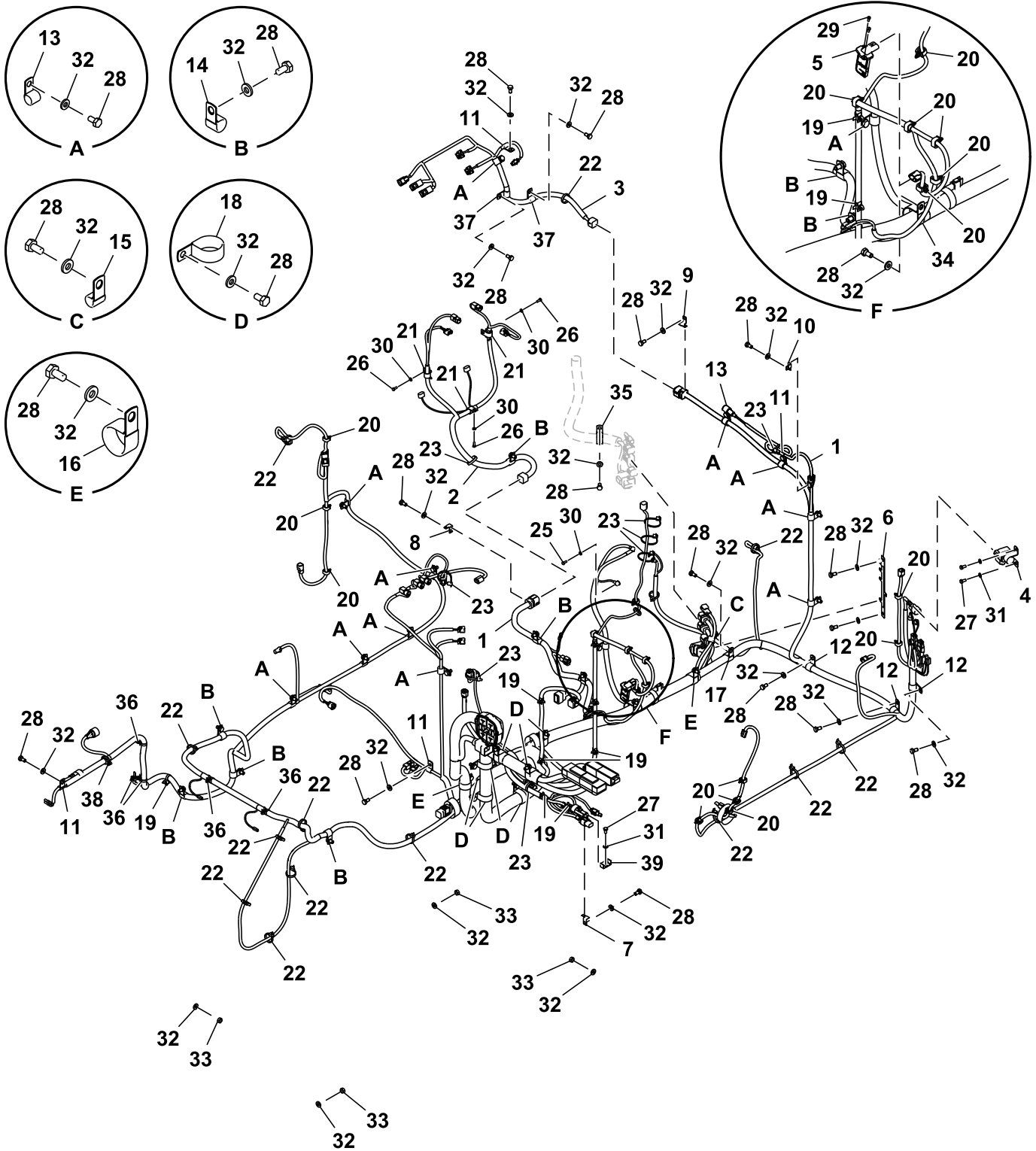
FF531101_TX1189129

16 Vehicle Electrical Systems
1674 Wiring Harness & Switches

Key	Part No.	Part Name	Qty.	Serial No.	Remarks
1	Wiring Harness	1		ORDER FYA00031494, FYA00043132 AND FYA00029964, FYA60039640 NLA, Machine Harness
	FYA00031494	Wiring Harness	1		Pump Harness
	FYA00029964	Wiring Harness	1		Engine Harness
	FYA00043132	Wiring Harness	1		Main Harness
	4712344	Wiring Harness	1		Camera Harness
2	FYA00027984	Wiring Harness	1	-XXXXXX	SCR Harness
	FYA00015952	Wiring Harness	1	XXXXXX-	SCR Harness
3	8980056311	Relay	1		SUB FOR 4681233, Starter Safety
4	4664861	Sensor	1		SUB FOR 8976019670, Mass Air Flow
5	3118721	Bracket	1		
6	4602634	Bracket	1		SUB FOR 4257159 OR 4336875
7	4418301	Bracket	1		
8	4662448	Bracket	1		
9	FYA00006821	Bracket	1		
10	4190261	Clip	3		
11	4190263	Clip	3		
12	T28949	Clamp	8		SUB FOR 4190273
13	4190274	Clip	8		
14	4190275	Clamp	5		
15	4193848	Clip	2		SUB FOR 4190291
16	XCL-19	Hose Clamp	1		SUB FOR 4192035
17	4193848	Clip	7		
18	4254600	Clip	1		
19	4449250	Clip	14		
20	T78787	Clamp	3		SUB FOR 4450494
21	H77698	Tie Band	17		SUB FOR 4055311
22	DH400240	Tie Band	5		
23	4313586	Bushing	1		
24	19M6614	Cap Screw	1		M6 X 12, SUB FOR J900612
25	19M7560	Cap Screw	3		M6 X 16, SUB FOR J900616
26	19M7162	Cap Screw	2		M8 X 16, SUB FOR J900816
27	19M7938	Cap Screw	47		M10 X 20, SUB FOR J901020
28	19M7598	Cap Screw	2		M4 X 10, SUB FOR J450410
29	24M7054	Washer	4		6.400 X 12 X 1.600 mm, SUB FOR A590106
30	24M7055	Washer	2		8.400 X 16 X 1.600 mm, SUB FOR A590108
31	24M7346	Washer	51		11 X 20 X 2 mm, SUB FOR DH400703
32	14M7274	Nut	4		M10, SUB FOR J950010
33	N198631	Clamp	1		SUB FOR 4190265
34	4193848	Clip	1		SUB FOR 4190264
35	4259220	Clip	5		
36	4190253	Clip	2		
37	4355884	Clip	1		

Machine Wiring Harness (340457 -)

TX1249555 C.1

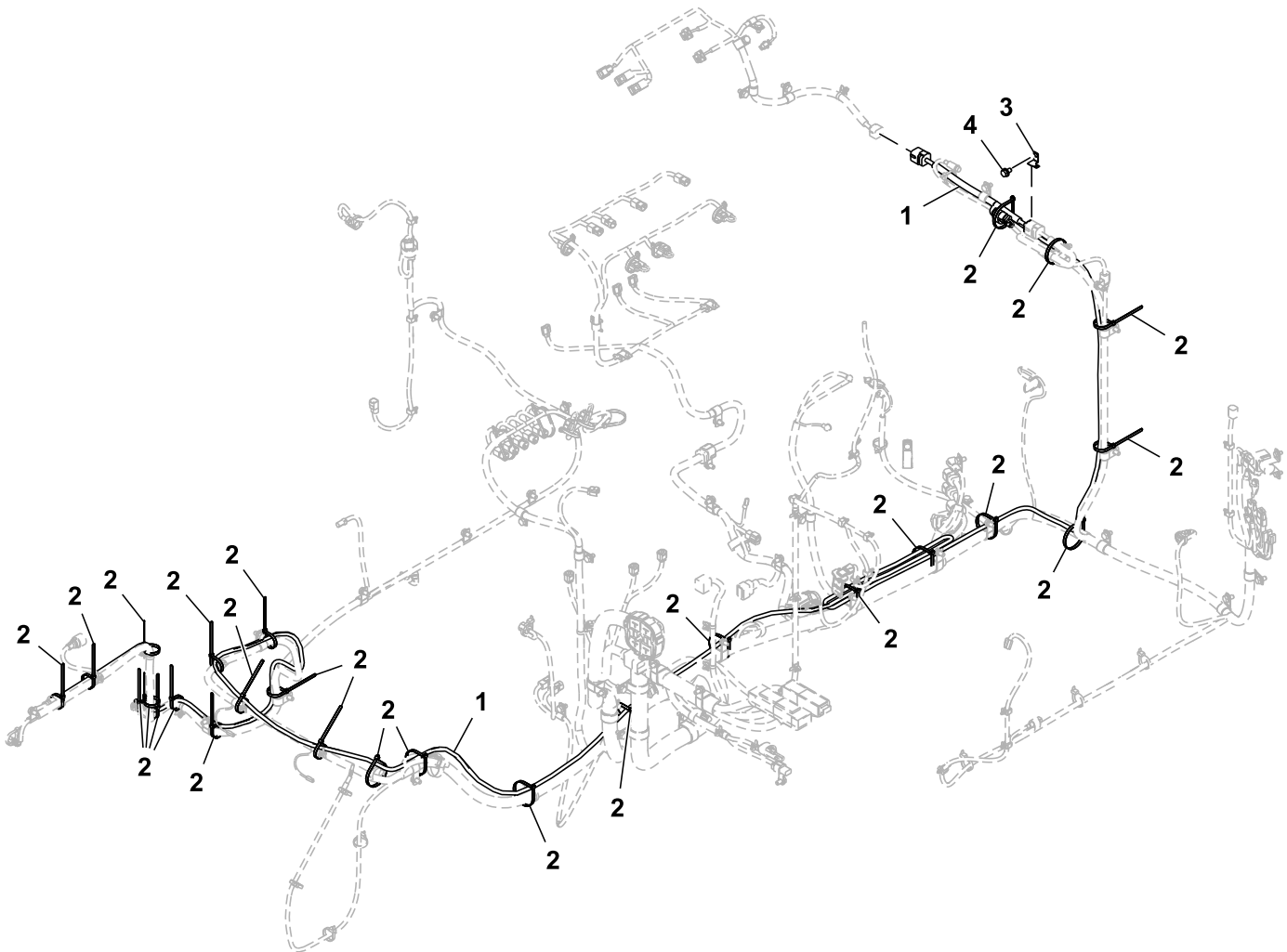


FF551895_TX1249555

Key	Part No.	Part Name	Qty.	Serial No.	Remarks
1	FYA00055723	Wiring Harness	1		Machine
2	FYA00031494	Wiring Harness	1		Pump
3	FYA00015952	Wiring Harness	1		Selective Catalyst Reduction (SCR)
4	8980056311	Relay	1		SUB FOR 4681233, Isuzu
5	8976019670	Sensor	1		SUB FOR 4664861, Mass Air Flow (MAF)
6	3118721	Bracket	1		
7	4336875	Bracket	1		
8	4418301	Bracket	1		
9	FYD00001091	Bracket	1		SUB FOR 4662448
10	FYA00006821	Bracket	1		
11	4190261	Clip	4		
12	FYA00049125	Clip	3		SUB FOR 4190263
13	T28949	Clamp	13		SUB FOR 4190273
14	4190274	Clip	8		
15	4190275	Clamp	1		
16	4193848	Clip	2		SUB FOR 4190291
17	4192035	Clip	1		
18	4193848	Clip	7		
19	4254600	Clip	10		
20	4449250	Clip	15		
21	4450494	Clip	3		
22	H77698	Tie Band	15		SUB FOR 4055311
23	DH400240	Tie Band	9		
25	19M6614	Cap Screw	1		M6 X 12, SUB FOR J900612
26	19M7560	Cap Screw	3		M6 X 16, SUB FOR J900616
27	19M7162	Cap Screw	3		M8 X 16, SUB FOR J900816
28	19M7938	Cap Screw	47		M10 X 20, SUB FOR J901020
29	19M7598	Cap Screw	2		M4 X 10, SUB FOR J450410
30	24M7054	Washer	4		6.400 X 12 X 1.600 mm, SUB FOR A590106
31	24M7055	Washer	3		8.400 X 16 X 1.600 mm, SUB FOR A590108
32	24M7346	Washer	51		11 X 20 X 2 mm, SUB FOR DH400703
33	14M7274	Nut	4		M10, SUB FOR J950010
34	N198631	Clamp	1		SUB FOR 4190265
35	4193848	Clip	1		SUB FOR 4190264
36	4259220	Clip	5		
37	4190253	Clip	2		
38	4355884	Clip	1		
39	4602634	Bracket	1		

Jumper Wiring Harness (340099 -)

TX1261507 A.1

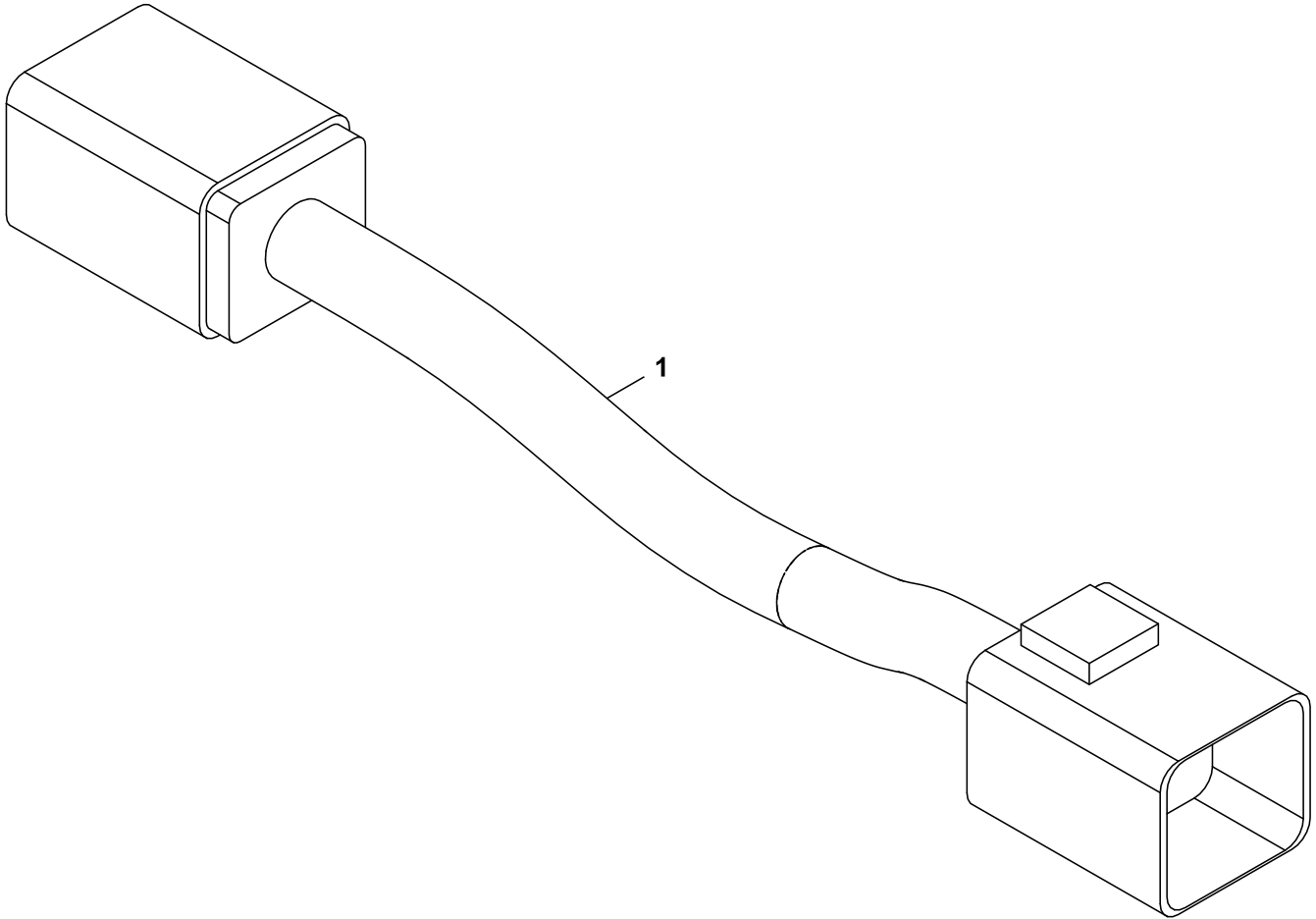


FF534805_TX1261507

Key	Part No.	Part Name	Qty.	Serial No.	Remarks
1	FYA00001991	Wiring Harness	1		Jumper
2	DH400240	Tie Band	26		
3	FYD00001091	Bracket	1		SUB FOR 4662448
4	Screw With Washer	1		J271020 NLA
	19M7938	Cap Screw	1		M10 X 20, SUB FOR J901020
	24M7346	Washer	1		11 X 20 X 2 mm, SUB FOR DH400703

Attachment Jumper Wiring Harness (340457 - 340890)

TX1251871 A.1

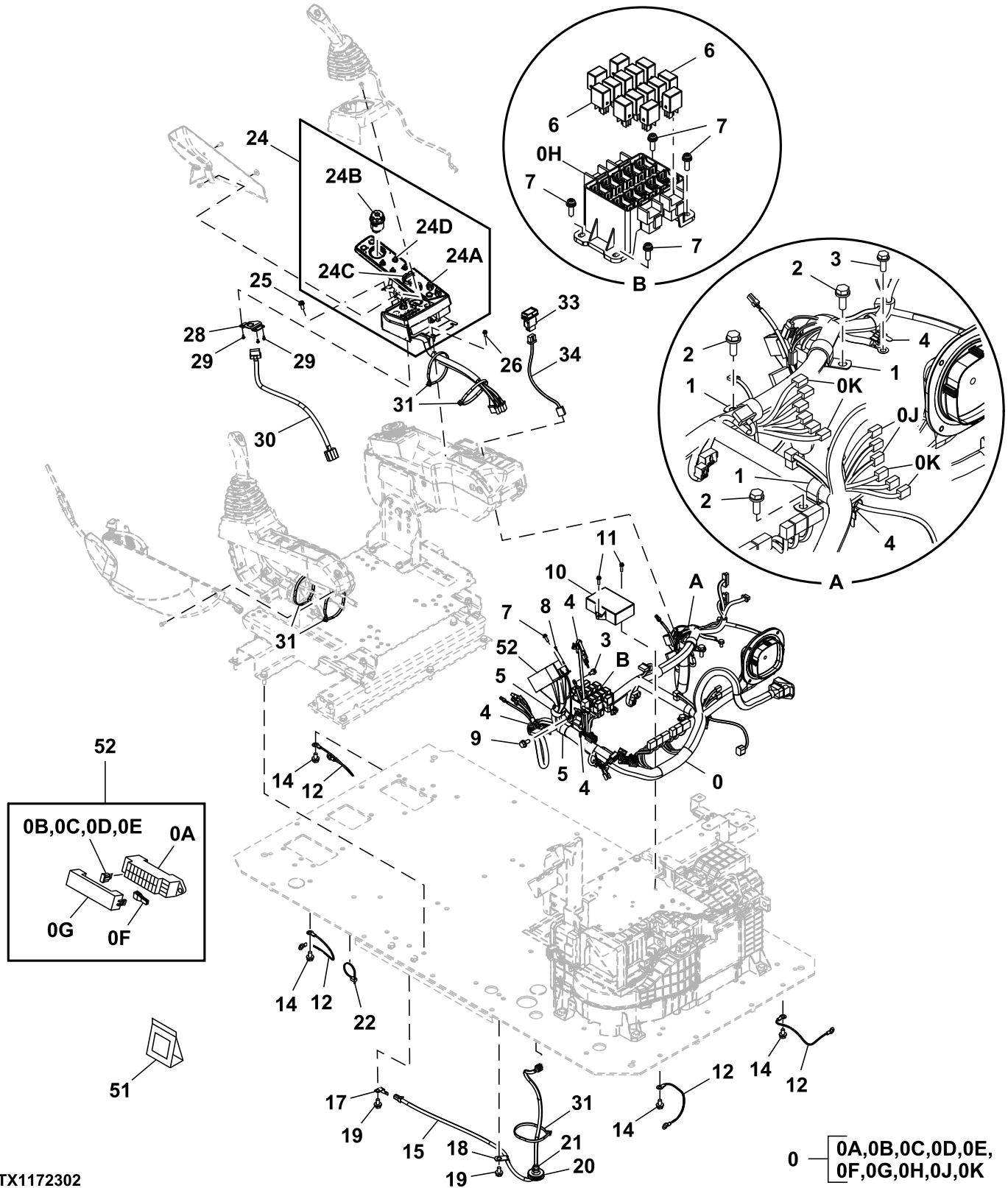


FF552044_TX1251871

<i>Key</i>	<i>Part No.</i>	<i>Part Name</i>	<i>Qty.</i>	<i>Serial No.</i>	<i>Remarks</i>
1	FYA00024342	Wiring Harness	1		Attachment Jumper Wiring Harness

Cab Wiring Harness

TX1172302 B.1

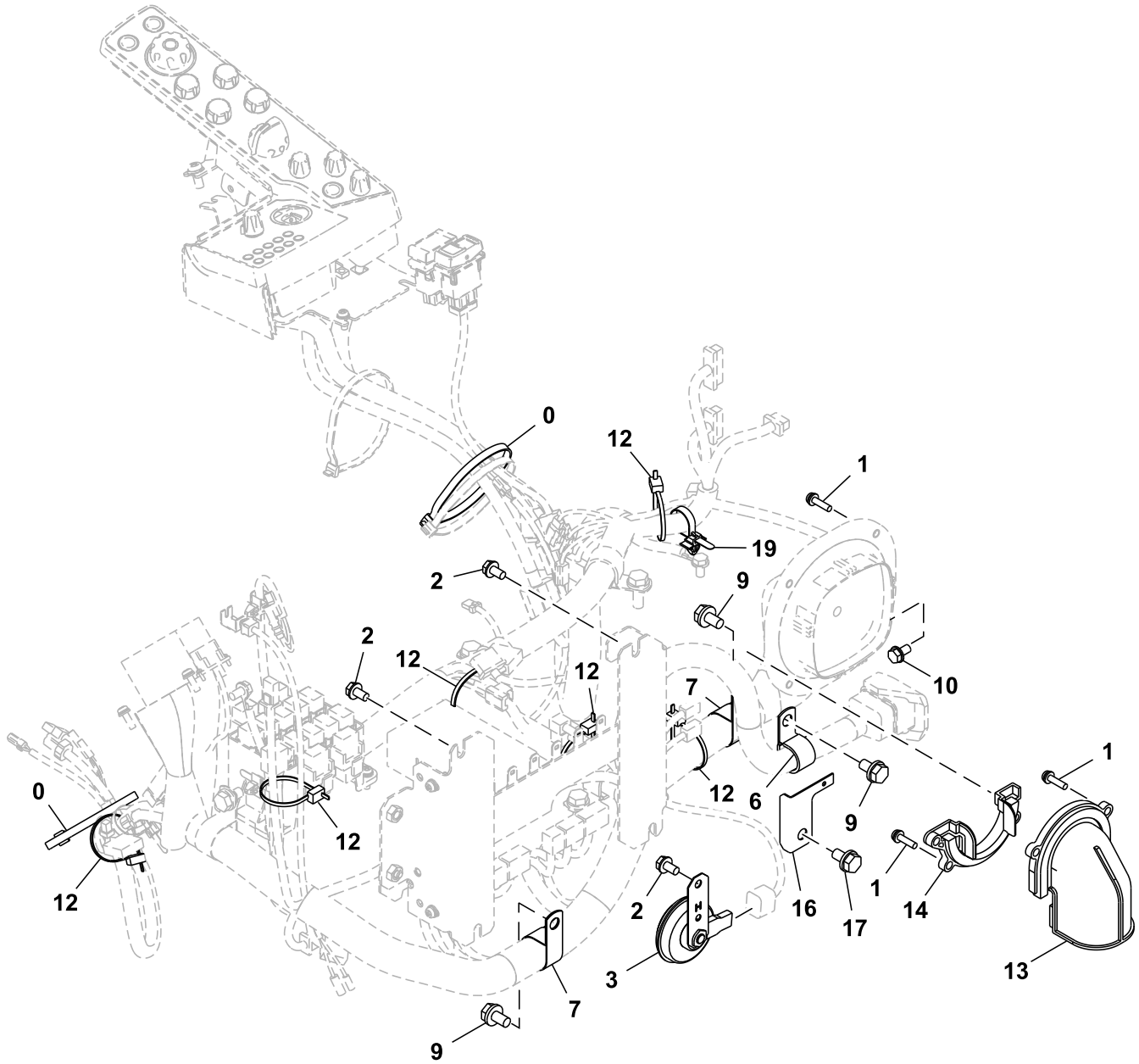


TX1172302

Key	Part No.	Part Name	Qty.	Serial No.	Remarks
0	FYA00011632	Cab Wiring Harness	1	-340456	
	FYA00058510	Cab Wiring Harness	1	340457-	
0A	4460037	Fuse Box	1		SUB FOR 4456735
0B	57M7688	Fuse	13		5A, SUB FOR 4428910
0C	57M7689	Fuse	14		10A, SUB FOR 4428911
0D	57M7691	Fuse	5		20A, SUB FOR 4436736
0E	57M8163	Fuse	1		30A, SUB FOR 4639136
0F	4436737	Puller	1		
0G	FYA00001346	Cover	1		
0H	4427429	Circuit Box	1		
0J	4611526	Diode	4		1.5 A
0K	4456778	Diode	9		3 A
1	XCL-19	Hose Clamp	3		SUB FOR 4192035
2	Screw With Washer	3		J271030 NLA
	19M7662	Cap Screw	3		M10 X 30, SUB FOR J901030
	24M7346	Washer	3		11 X 20 X 2 mm, SUB FOR J222010
3	Screw With Washer	2		J260816 NLA
	19M7162	Cap Screw	2		M8 X 16, SUB FOR J900816
	24M7055	Washer	2		8.400 X 16 X 1.600 mm, SUB FOR A590108
4	4254600	Clip	4		
5	4193848	Clip	2		SUB FOR 4190264
6	4436534	Relay	14		Pilot Control Lever
7	Screw With Washer	8		J460620 NLA
	21M7267	Screw	8		M6 X 20
	24M7293	Washer	8		6.500 X 13 X 1.600 mm
	12M7006	Lock Washer	8		6 mm
8	Screw With Washer	2		J460310 NLA
	21M7394	Screw	2		M3 X 10
	24H1914	Washer	2		1/8" X 5/16" X 0.032"
	12H233	Lock Washer	2		1/8"
9	Screw With Washer	1		J271025 NLA
	19M7402	Cap Screw	1		M10 X 25, SUB FOR J901025
	24M7346	Washer	1		11 X 20 X 2 mm, SUB FOR J222010
10	4707468	Control	1		Machine Controller (BCZ)
11	J460625	Screw With Washer	2		
12	4464075	Ground Cable	4		
14	Screw With Washer	4		J271020 NLA
	19M7938	Cap Screw	4		M10 X 20, SUB FOR J901020
	24M7346	Washer	4		11 X 20 X 2 mm, SUB FOR J222010
15	4630572	Wiring Harness	1		Pilot Shutoff Valve
17	4602634	Bracket	1		SUB FOR 4257159
18	4190275	Clamp	1		SUB FOR 4190261
19	Screw With Washer	2		J271020 NLA
	19M7938	Cap Screw	2		M10 X 20, SUB FOR J901020
	J222010	Washer	2		SUB FOR J222010
20	4637225	Isolator	1		
21	H77698	Tie Band	1		SUB FOR 4055311
22	H77698	Tie Band	1		SUB FOR 4055312
24	FYA60027216	Box	1		Switch Box
24A	FYA00026806	Knob	4		Auto-Idle Switch, Travel Speed Switch, Work Light Switch, Windshield Wiper and Washer Switch
24B	4705919	Switch	1		Monitor Dial
24C	FYA00026804	Knob	1		Engine Speed Dial
24D	FYA00026807	Knob	4		Temperature Control Switch, Blower Speed Switch, Radio Tuning Switch, Radio Power and Volume Switch
25	Screw With Washer	1		J460820 NLA
	21M7089	Screw	1		M8 X 20
	24M7036	Washer	1		9 X 16 X 1.600 mm
	12M7065	Lock Washer	1		8 mm
26	Screw With Washer	1		J460616 NLA
	19M8425	Cap Screw	1		M6 X 16
	24M7293	Washer	1		6.500 X 13 X 1.600 mm
	12M7006	Lock Washer	1		6 mm
28	3117588	Bracket	1		
29	Screw With Washer	3		J460410 NLA
	21M7396	Screw	3		M4 X 10
	24M7117	Washer	3		4.300 X 9 X 0.800 mm
	12H315	Lock Washer	3		0.164"
30	4708537	Wiring Harness	1		Starter Switch
31	H77698	Tie Band	5		SUB FOR 4121859
33	FYA00003369	Switch	1		Exhaust Filter Parked Cleaning Switch
34	FYA00003944	Wiring Harness	1		Exhaust Filter Parked Cleaning Switch Harness
51	4460037	Fuse Box	1		
52	4369817	Electrical Connector Assy	1		
53	FYA00042105	Wiring Harness	1		Extended Cab Harness, Not Illustrated, 100 Poles
54	FYA00042107	Wiring Harness	1		Extended Cab Harness, Not Illustrated, 32 Poles
60	FYA00001346	Cover	1		Not Illustrated, Fuse Box 1
	FYA00007354	Cover	1		Not Illustrated, Fuse Box 2

Cab Wiring Harness Mounting

TX1171227 B.1



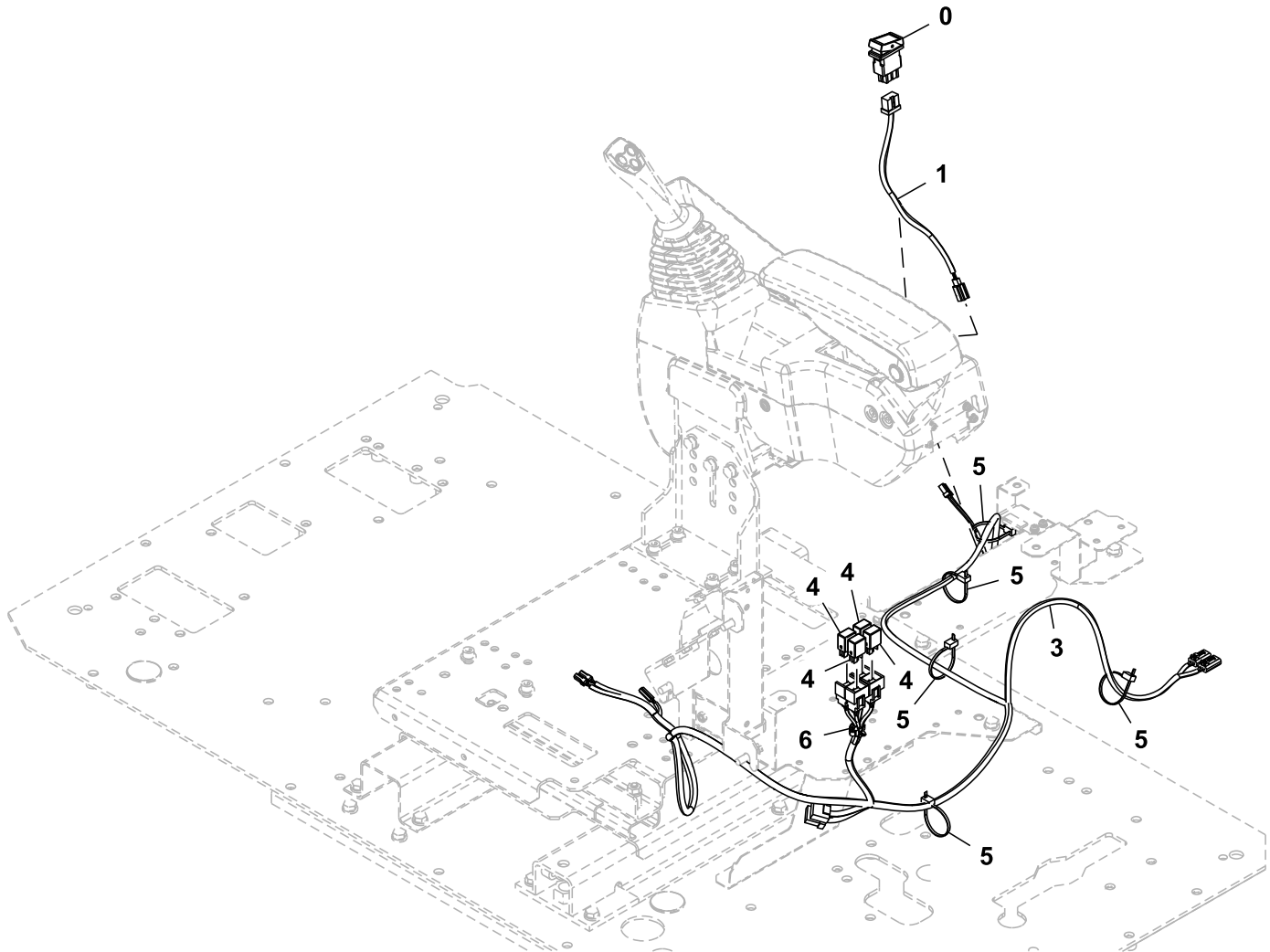
TX1171227

16 Vehicle Electrical Systems
1674 Wiring Harness & Switches

Key	Part No.	Part Name	Qty.	Serial No.	Remarks
0	H77698	Tie Band	2		SUB FOR 4121859
1	Screw With Washer	9		J460625 NLA
	21M7159	Screw	9		M6 X 25
	12M7006	Lock Washer	9		6 mm
	24M7054	Washer	9		6.400 X 12 X 1.600 mm
2	Screw With Washer	5		J260816 NLA
	19M7162	Cap Screw	5		M8 X 16, SUB FOR J900816
	24M7055	Washer	5		8.400 X 16 X 1.600 mm, SUB FOR A590108
3	4719528	Horn	1		SUB FOR 4703330
6	R72659	Clamp	1		SUB FOR 4190263
7	XCL-29	Hose Clamp	2		SUB FOR 4190264
9	Screw With Washer	3		J271020 NLA
	19M7938	Cap Screw	3		M10 X 20, SUB FOR J901020
	24M7346	Washer	3		11 X 20 X 2 mm, SUB FOR J222010
10	Screw With Washer	1		J260816 NLA
	19M7162	Cap Screw	1		M8 X 16
	24M7055	Washer	1		8.400 X 16 X 1.600 mm
12	4055312	Clip	6		SUB FOR H77698
13	7058387	Cover	1		
14	7058388	Cover	1		
16	4720567	Bracket	1		
17	Screw With Washer	1		J271020 NLA
	19M7938	Cap Screw	1		M10 X 20, SUB FOR J901020
	24M7346	Washer	1		11 X 20 X 2 mm, SUB FOR J222010
19	4254600	Clip	1		

Pilot Control Lever Wiring Harnesses and Relays

TX1089830 D.1

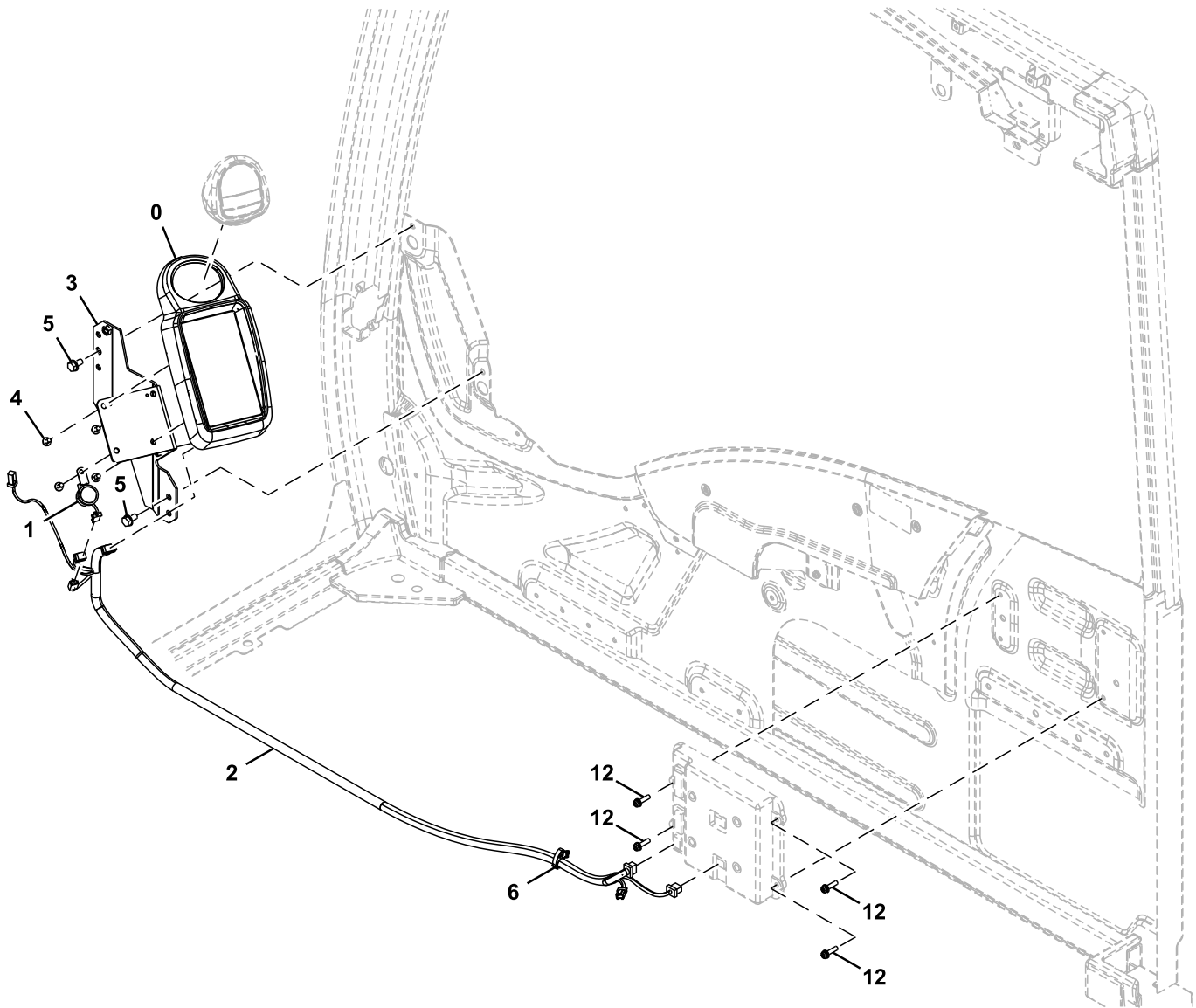


TX1089830

<i>Key</i>	<i>Part No.</i>	<i>Part Name</i>	<i>Qty.</i>	<i>Serial No.</i>	<i>Remarks</i>
0	4651295	Switch	1		Left, Right, Enable Switch
1	4651278	Wiring Harness	1		Auxiliary Three Button Cancel Switch
3	FYA00000663	Wiring Harness	1		Multi-Function Pilot Control Lever
4	4436534	Relay	4		Pilot Control Lever
5	H77698	Tie Band	5		SUB FOR 4055312
6	4692542	Clip	1		

Monitor and Monitor Wiring Harness

TX1146853 A.1

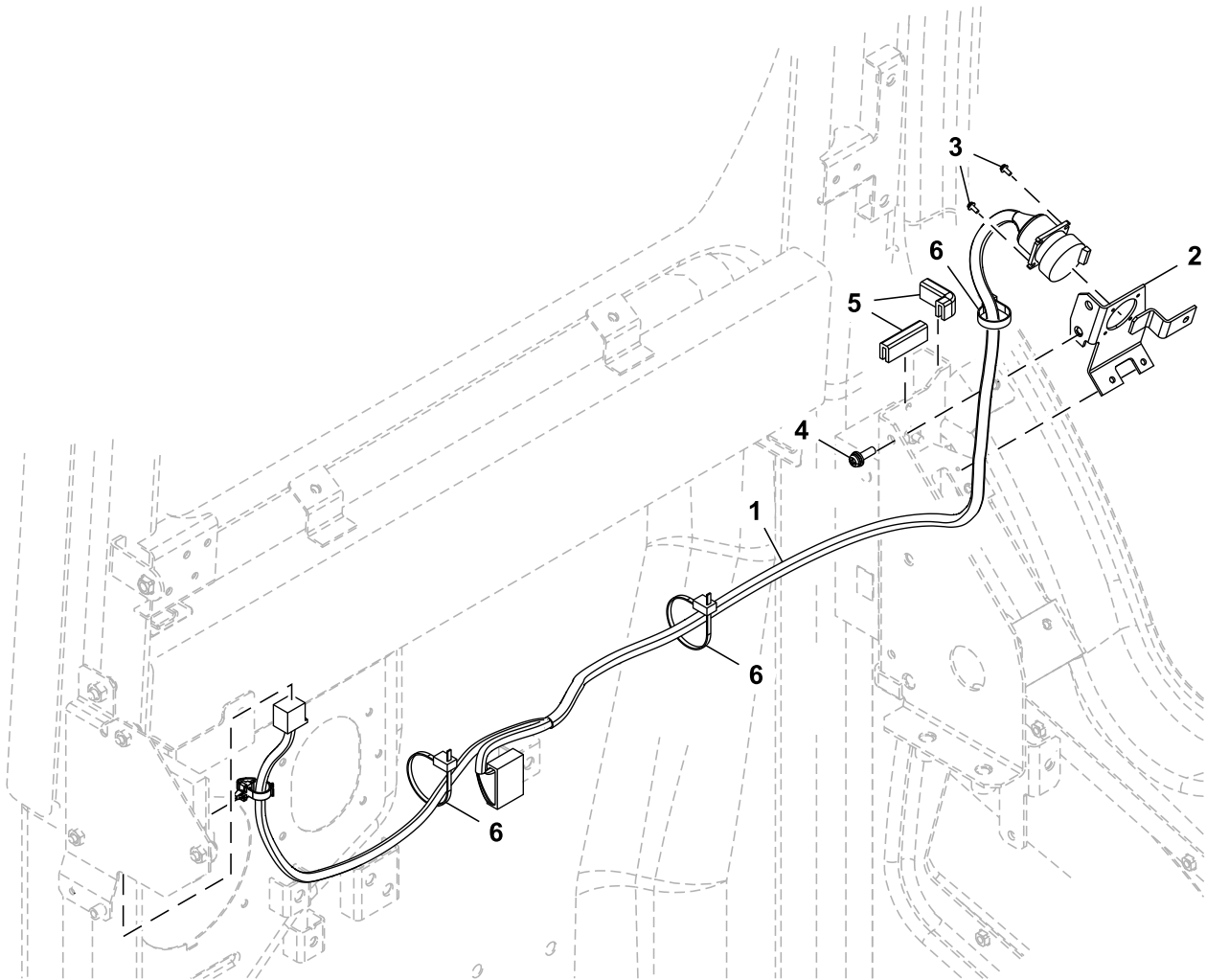


TX1146853

Key	Part No.	Part Name	Qty.	Serial No.	Remarks
0	FYA00001076	Monitor	1		
1	4297188	Travel Warning Alarm	1		
2	4708451	Wiring Harness	1		Monitor
3	7057403	Bracket	1		
4	Screw With Washer	4		J680616 NLA
	21M7577	Socket Head Screw	4		M6 X 16
	12M7006	Lock Washer	4		6 mm
	24M7054	Washer	4		6.400 X 12 X 1.600 mm
5	Screw With Washer	2		J260816 NLA
	19M7162	Cap Screw	2		M8 X 16, SUB FOR J900816
	24M7055	Washer	2		8.400 X 16 X 1.600 mm, SUB FOR A590108
6	4692542	Clip	1		
12	Screw With Washer	4		J460625 NLA
	12M7006	Lock Washer	4		6 mm
	24M7054	Washer	4		6.400 X 12 X 1.600 mm
	21M7159	Screw	4		M6 X 25

Data Converter Wiring Harness

TX1171852 B.1

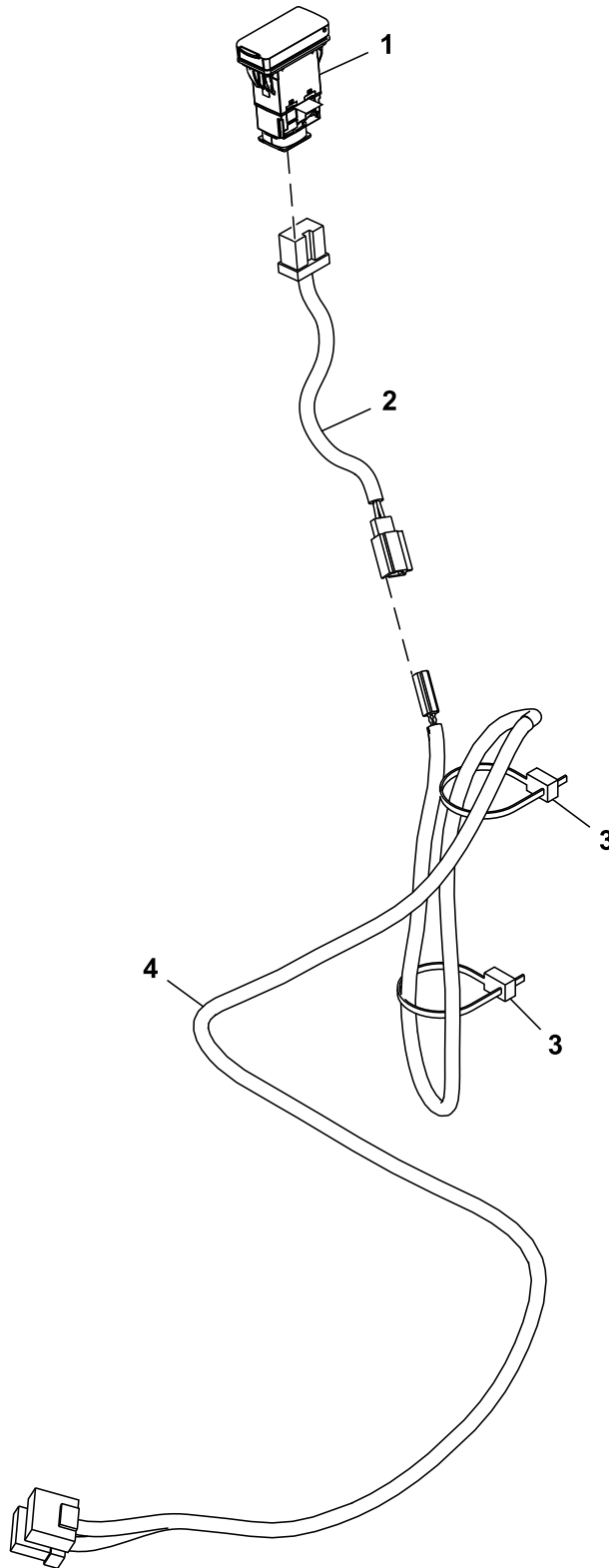


TX1171852

Key	Part No.	Part Name	Qty.	Serial No.	Remarks
1	FYA00012696	Wiring Harness	1		Data Converter
2	FYA40009403	Bracket	1		
3	J460308	Screw With Washer	4		
4	Screw With Washer	1		J460620 NLA
	12M7006	Lock Washer	1		6 mm
	21M7267	Screw	1		M6 X 20
	24M7293	Washer	1		6.500 X 13 X 1.600 mm
5	4488326	Sealing Trim	2		
6	H77698	Tie Band	3		SUB FOR 4055312

Power Supply Wiring Harness (340457 -)

TX1252290 A.1

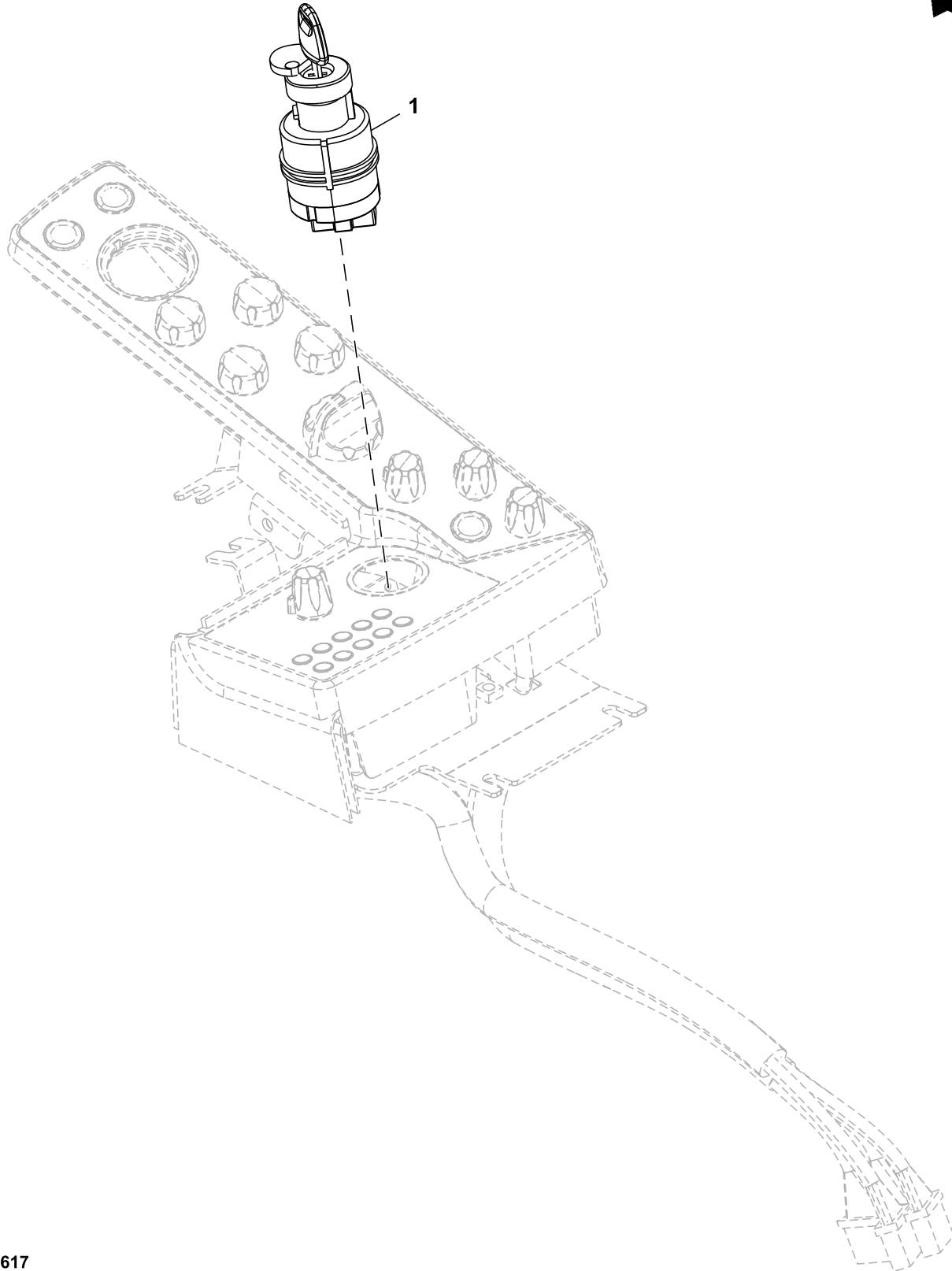


YA60055406_TX1252290

<i>Key</i>	<i>Part No.</i>	<i>Part Name</i>	<i>Qty.</i>	<i>Serial No.</i>	<i>Remarks</i>
1	FYA00045836	Power Supply	1		
2	FYA00055643	Wiring Harness	1		Universal Serial Bus (USB) Outlet
3	H77698	Tie Band	2		SUB FOR 4055312
4	FYA00055642	Wiring Harness	1		Universal Serial Bus (USB) Jumper

Key Start Switch

TX1088617 C.1

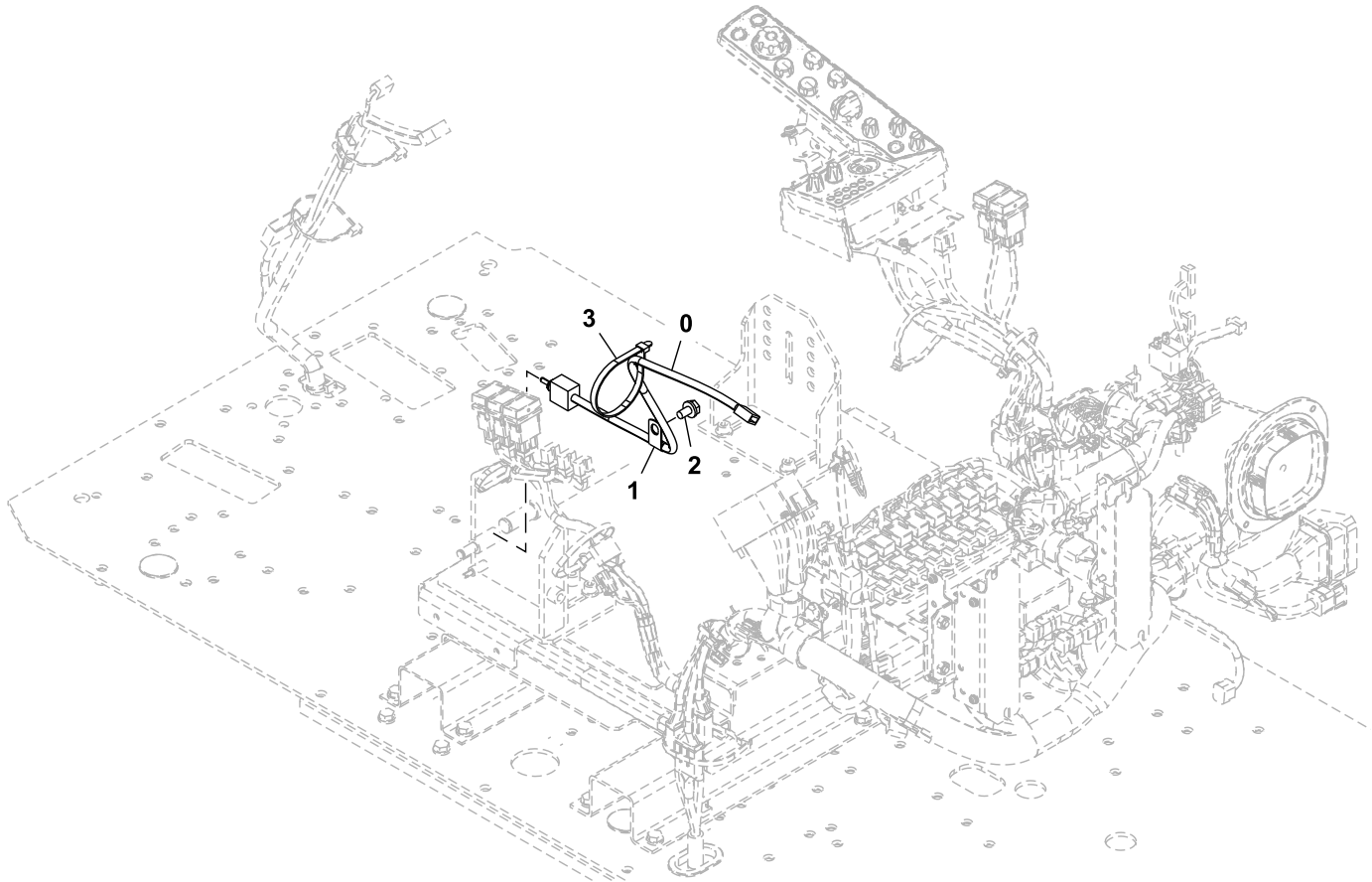


TX1080617

<i>Key</i>	<i>Part No.</i>	<i>Part Name</i>	<i>Qty.</i>	<i>Serial No.</i>	<i>Remarks</i>
1	4477373	Switch	1		INCLUDES 4286465R, Start Switch
	4286465R	Key	1		Hitachi

Engine Stop Switch

TX1165379 A.1

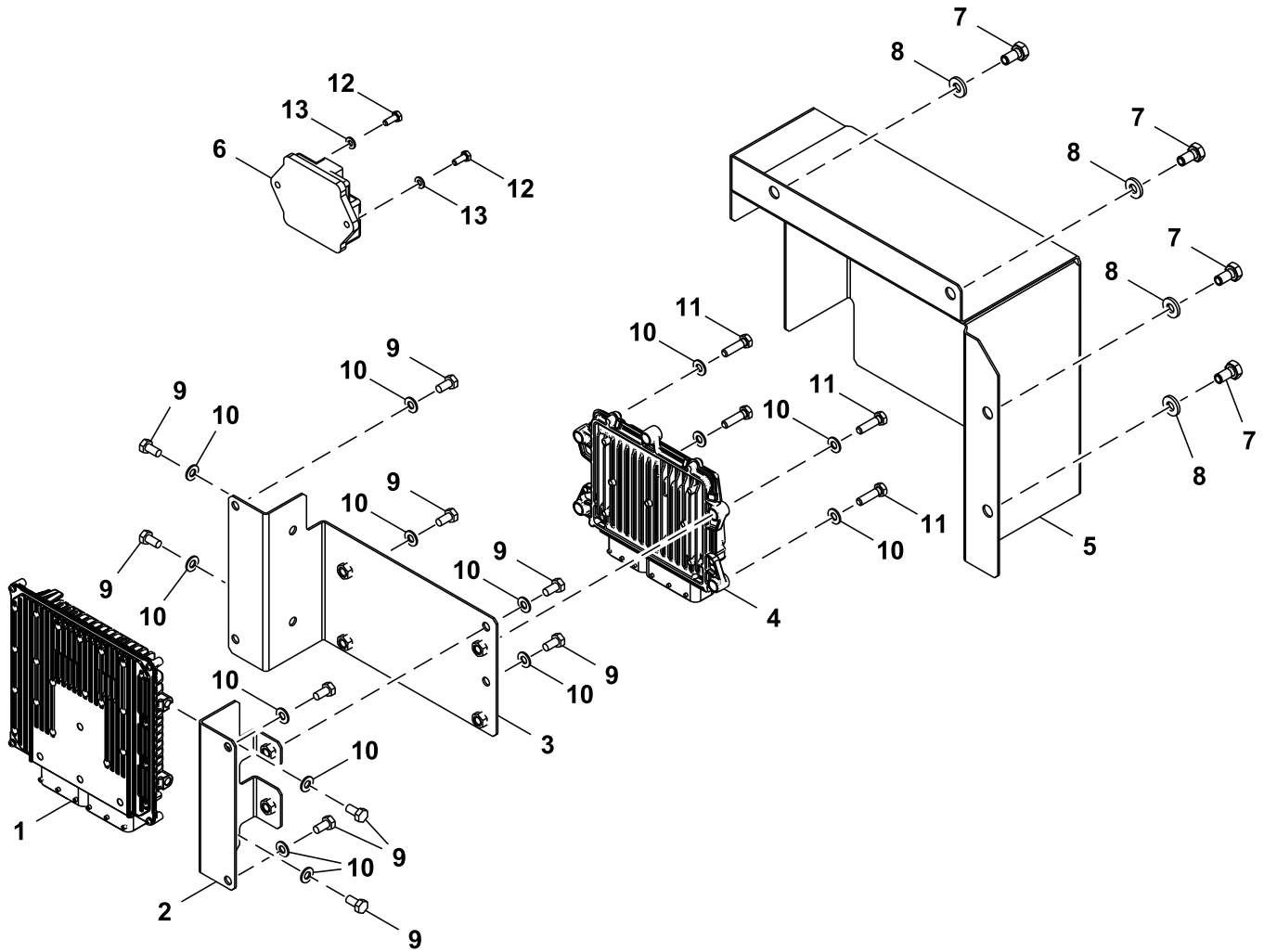


TX1165379

Key	Part No.	Part Name	Qty.	Serial No.	Remarks
0	4618409	Switch	1		Engine Stop
1	4190275	Clamp	1		SUB FOR 4190261
2	Screw With Washer	1		J271020 NLA
	19M7938	Cap Screw	1		M10 X 20, SUB FOR J901020
	24M7346	Washer	1		11 X 20 X 2 mm, SUB FOR J222010
3	H77698	Tie Band	1		SUB FOR 4121859

Engine Control Unit and Mounting Bracket

TX1186161 A.1

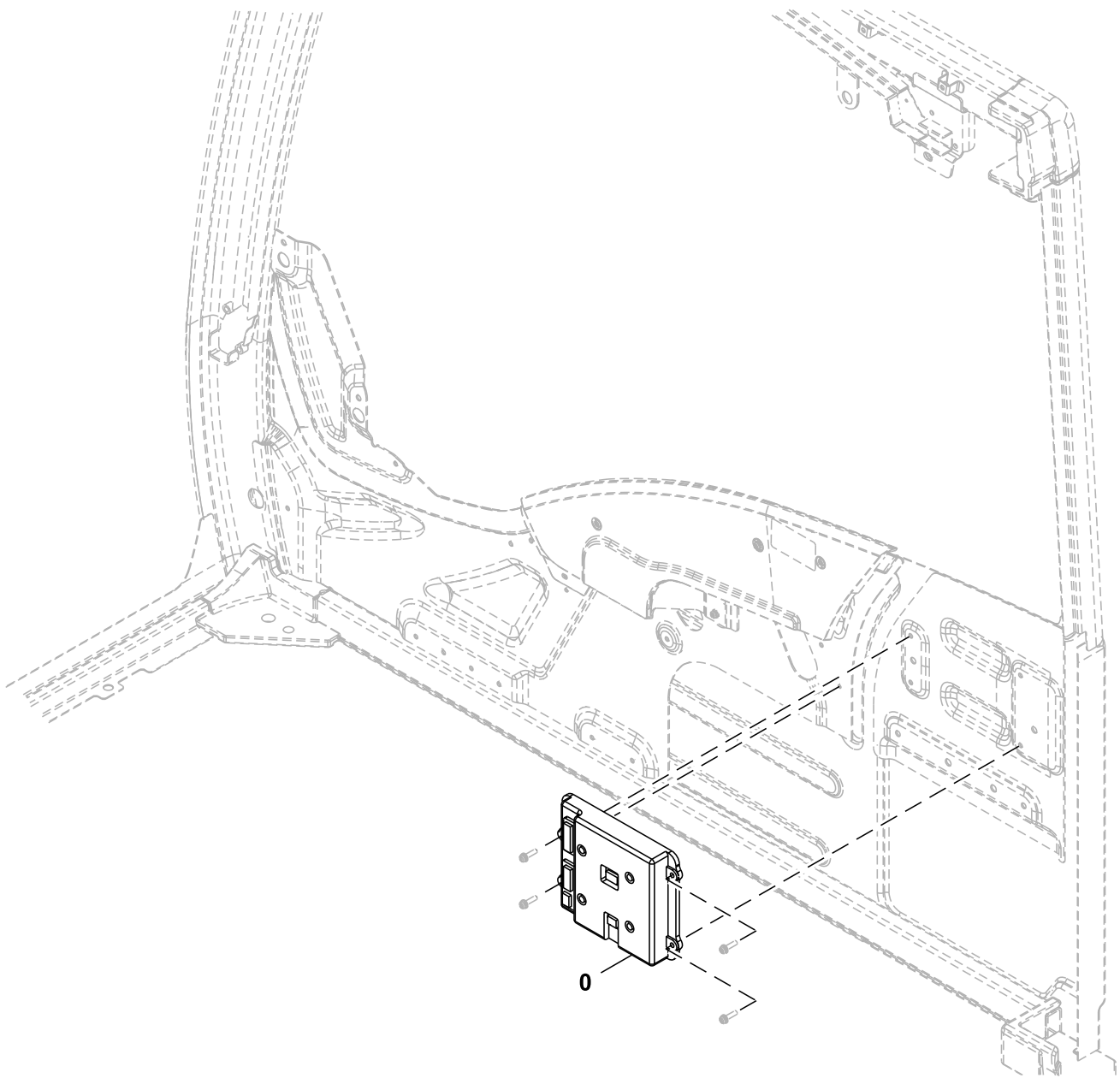


TX1186161

Key	Part No.	Part Name	Qty.	Serial No.	Remarks
1	8982853192 8983257960	Control Engine Controller	1	-XXXXXX XXXXXX-	SUB FOR FYA00028462 AND 8982853191, ECU SUB FOR FYA00046940 , ECU
2	FYA40021559	Bracket	1		
3	FYA40021560	Bracket	1		
4	8982426521	Control	1		SUB FOR FYA00030979, Dosing Control Unit
5	FYA00014196	Cover	1		
6	8981331241	Control	1		SUB FOR 4664909, Turbocharger
7	19M7938	Cap Screw	4		M10 X 20, SUB FOR J901020
8	24M7346	Washer	4		11 X 20 X 2 mm, SUB FOR DH400703
9	19M7162	Cap Screw	10		M8 X 16, SUB FOR J900816
10	24M7055	Washer	14		8.400 X 16 X 1.600 mm, SUB FOR A590108
11	19M7288	Cap Screw	4		M8 X 30, SUB FOR J900830
12	19M7560	Cap Screw	2		M6 X 16, SUB FOR J900616
13	24M7054	Washer	2		6.400 X 12 X 1.600 mm, SUB FOR A590106

Monitor Controller (DSZ)

TX1170388 A.1

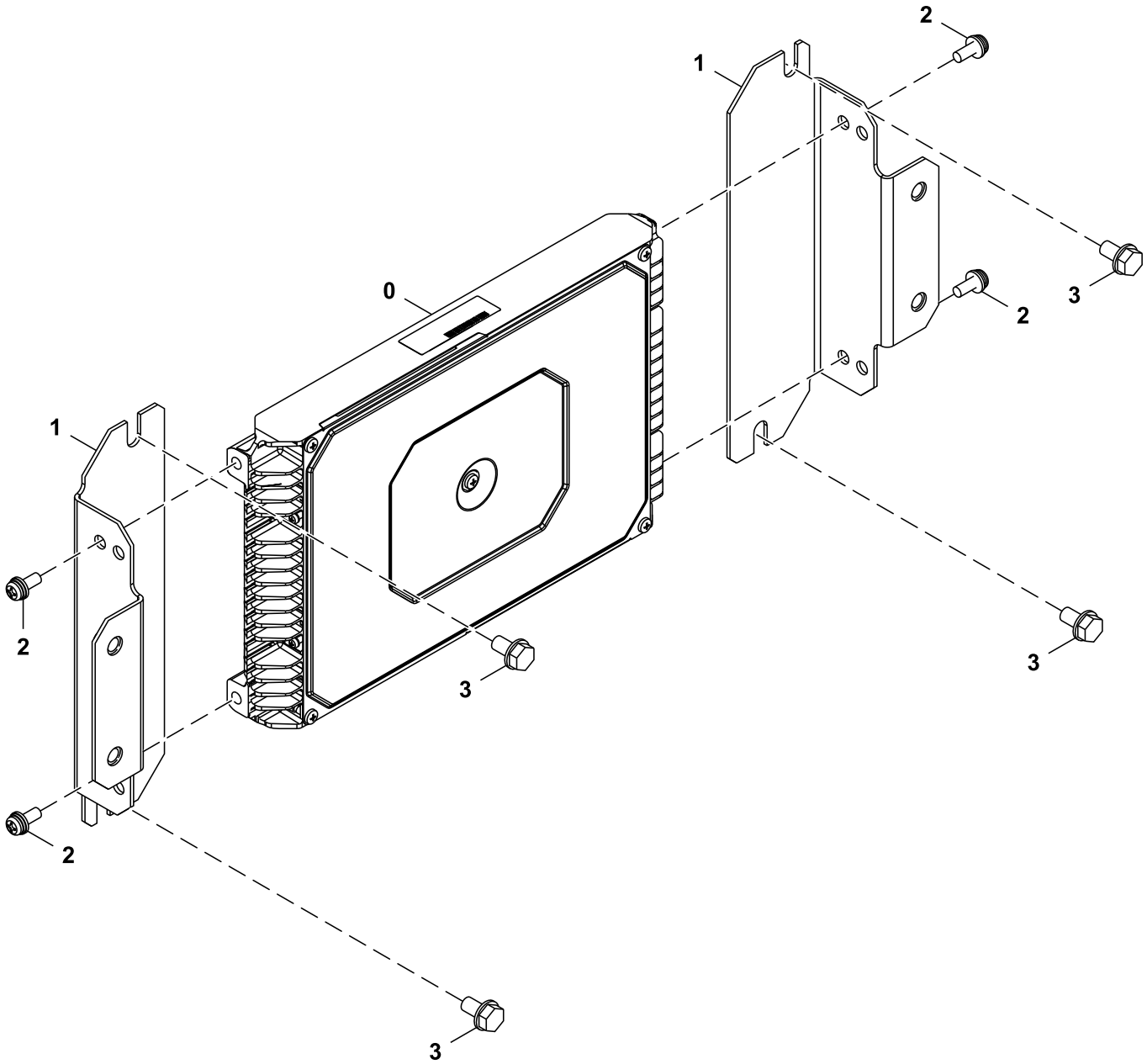


TX1170388

<i>Key</i>	<i>Part No.</i>	<i>Part Name</i>	<i>Qty.</i>	<i>Serial No.</i>	<i>Remarks</i>
0	FYA00046861	Control	1		Monitor Controller (DSZ), SUB FOR FYA00013743

Main Controller (MCZ)

TX1163495 B.1

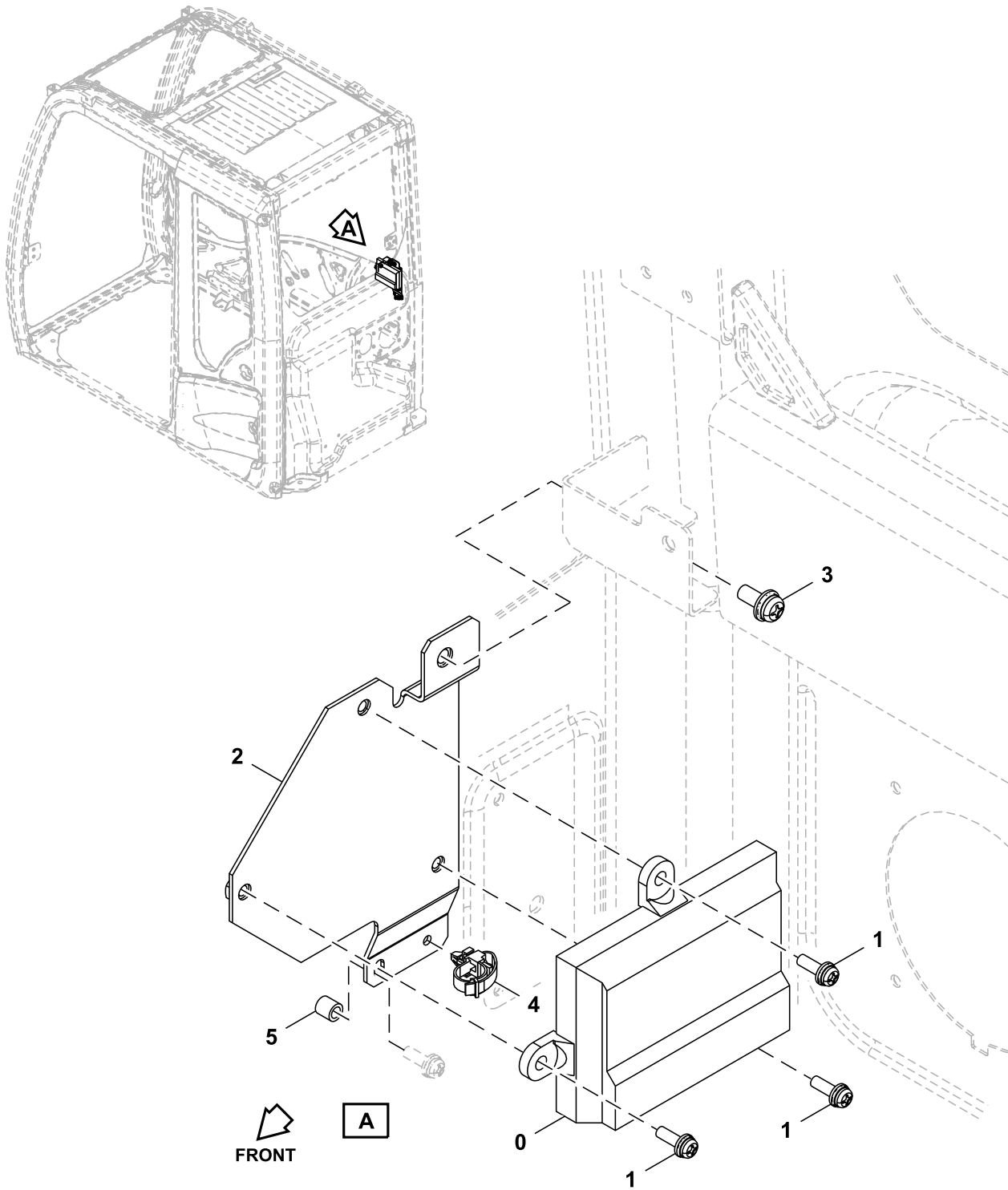


FF527836_TX1163495

Key	Part No.	Part Name	Qty.	Serial No.	Remarks
0	FYA60030081	Vehicle Controller	1	-340456	Main Controller (MCZ)
	FYA60053953	Electronic Control Unit	1	340457-	Main Controller (MCZ)
1	FYA40021971	Bracket	2		
2	Screw With Washer	4		J460616 NLA
	19M8425	Cap Screw	4		M6 X 16
	12M7006	Lock Washer	4		6 mm
	24M7293	Washer	4		6.500 X 13 X 1.600 mm
3	Screw With Washer	4		J260816 NLA
	19M7162	Cap Screw	4		M8 X 16
	24M7055	Washer	4		8.400 X 16 X 1.600 mm

Data Converter

TX1170392 B.1

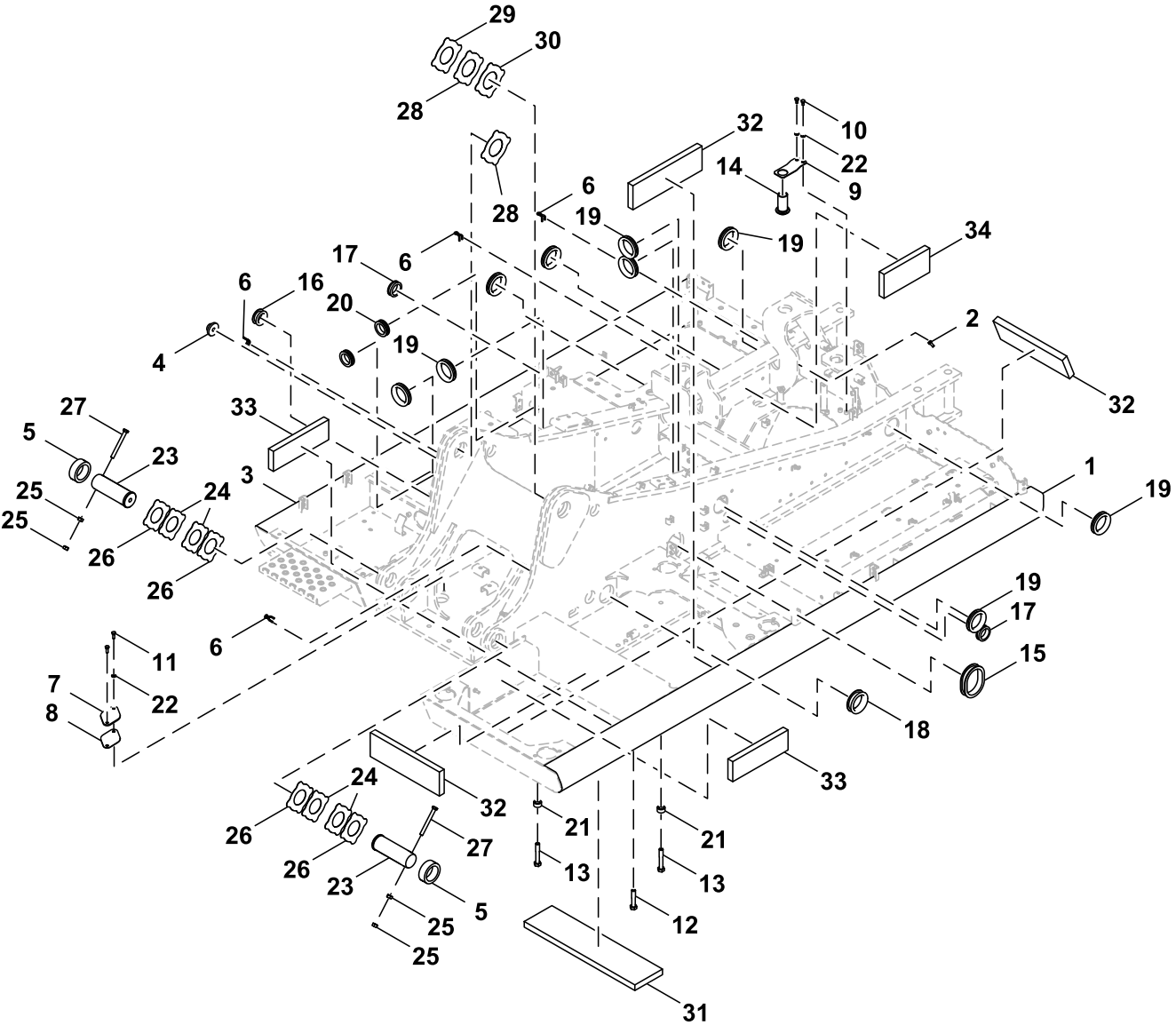


TX1170392

Key	Part No.	Part Name	Qty.	Serial No.	Remarks
0	FYA00016095	Control	1		Data Converter, SUB FOR 4729000 OR FYA00016270
1	Screw With Washer	3		J460620 NLA
	21M7267	Screw	3		M6 X 20
	24M7293	Washer	3		6.500 X 13 X 1.600 mm
	12M7006	Lock Washer	3		6 mm
2	8126604	Bracket	1		
3	Screw With Washer	1		J460820 NLA
	21M7089	Screw	1		M8 X 20
	12M7065	Lock Washer	1		8 mm
	24M7036	Washer	1		9 X 16 X 1.600 mm
4	4692542	Clip	1		
5	4656227	Spacer	1		

Main Frame (- 340456)

TX1186084 A.1



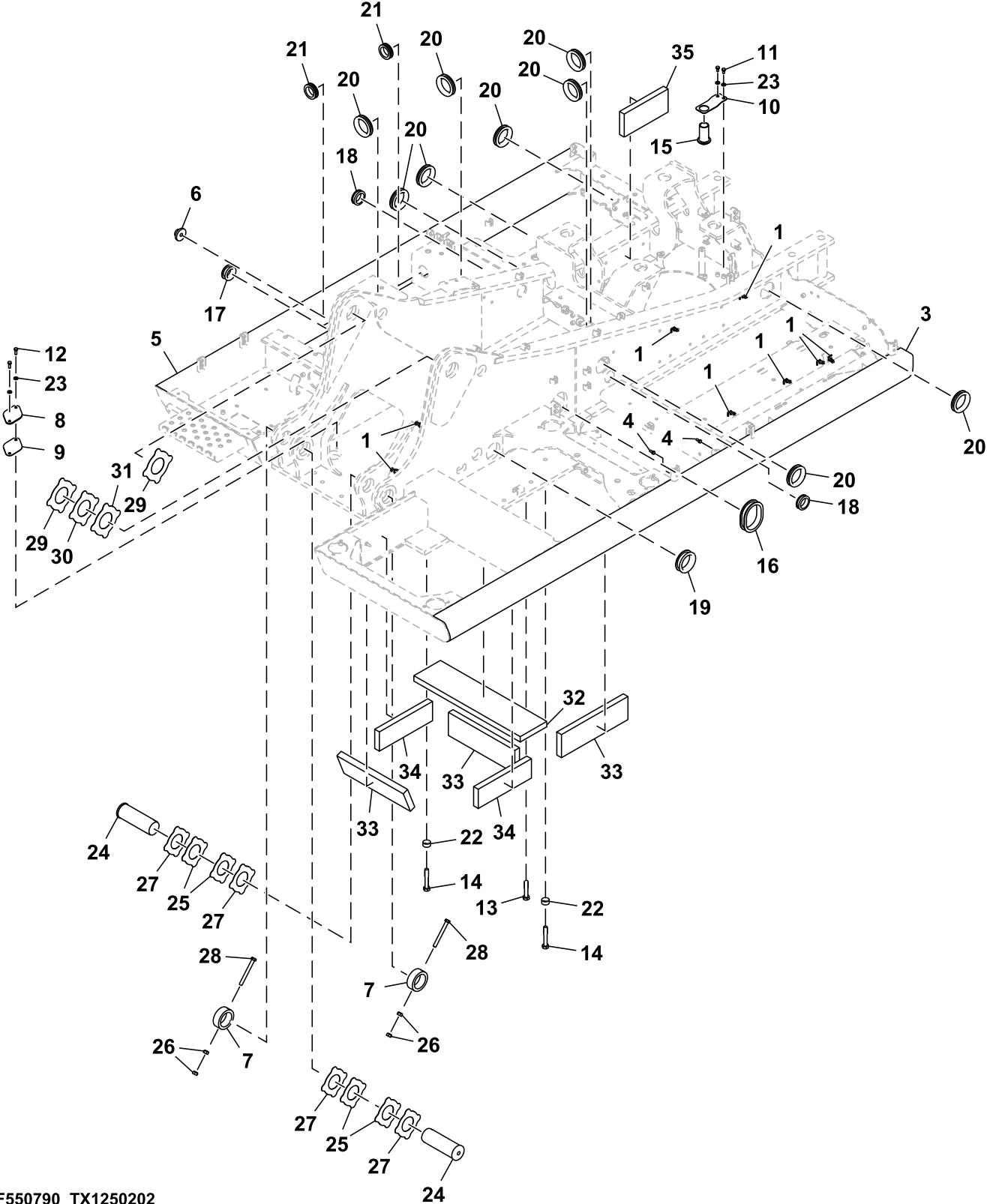
FF530999_TX1186084

17 Frame Chassis Or Supporting Structure
1740 Frame Installation

Key	Part No.	Part Name	Qty.	Serial No.	Remarks
1	4699403	Pipe	1		Left
2	19M7402	Cap Screw	1		M10 X 25, SUB FOR J921025
3	4699461	Pipe	1		Right
4	4426117	Stop	1		
5	4435240	Stop	2		
6	4628505	Clamp	4		
7	4604209	Cover	1		SUB FOR 4255799
8	4161735	Gasket	1		
9	FYA00028816	Plate	1		
10	19M7938	Cap Screw	2		M10 X 20, SUB FOR J901020
11	19M7662	Cap Screw	2		M10 X 30, SUB FOR J901030
12	19M7963	Cap Screw	35		M20 X 100, SUB FOR J922000
13	J922004	Bolt	2		
14	FYA00029660	Bushing	1		
15	4191978	Grommet	1		
16	4338858	Bushing	1		
17	4255567	Bushing	2		SUB FOR 4255530
18	4191977	Grommet	1		
19	4201986	Grommet	9		
20	4208279	Grommet	2		
21	4649152	Spacer	2		
22	24M7346	Washer	4		11 X 20 X 2 mm, SUB FOR DH400703
23	AT318060	Pin Fastener	2		SUB FOR 3088573
24	FF110004	Shim	4		
25	14M7276	Nut	4		M16, SUB FOR J950016
26	FF110003	Shim	4		
27	4435129	Pin Fastener	2		
28	FF110001	Shim	2		
29	FF110026	Shim	1		
30	FF110002	Shim	1		
31	FXV00000244	Isolator	1		
32	FXV00000229	Isolator	3		
33	FXV00000221	Insulator	2		
34	FXV00000215	Isolator	1		

Main Frame (340457 -)

TX1250202 A.1



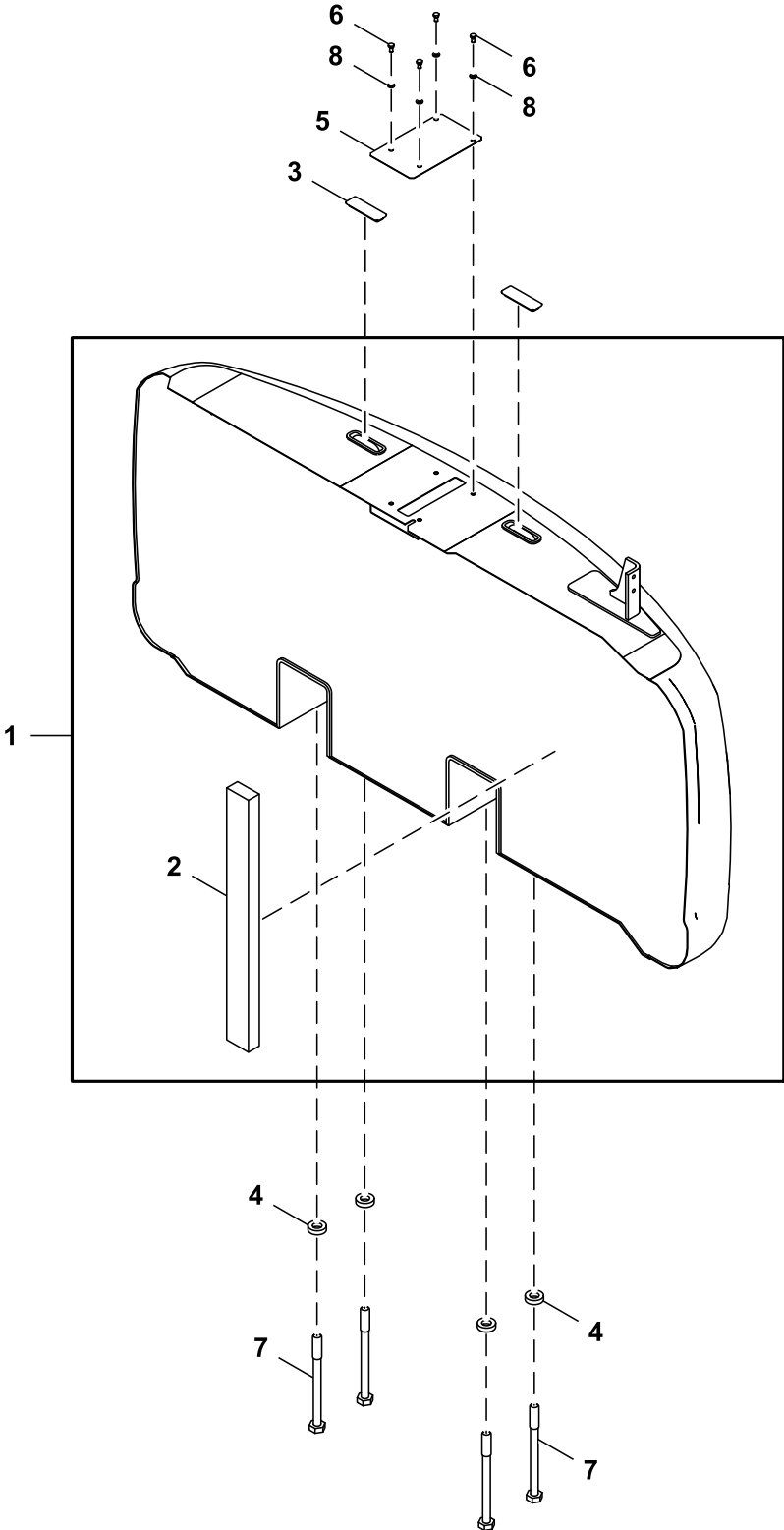
FF550790_TX1250202

17 Frame Chassis Or Supporting Structure
1740 Frame Installation

Key	Part No.	Part Name	Qty.	Serial No.	Remarks
1	4628505	Clamp	11		
3	4699403	Pipe	1		Left
4	19M7402	Cap Screw	2		M10 X 25, SUB FOR J901025
5	4699461	Pipe	1		Right
6	4426117	Stop	1		
7	4435240	Stop	2		
8	4604209	Cover	1		SUB FOR 4255799
9	4161735	Gasket	1		
10	FYA00028816	Plate	1		
11	19M7938	Cap Screw	2		M10 X 20, SUB FOR J901020
12	19M7662	Cap Screw	2		M10 X 30, SUB FOR J901030
13	19M7963	Cap Screw	35		M20 X 100, SUB FOR J922000
14	19M7883	Screw	2		M20 X 120, SUB FOR J922004
15	FYA00029660	Bushing	1		
16	4191978	Grommet	1		
17	4338858	Bushing	1		
18	4255567	Bushing	2		SUB FOR 4255530
19	4191977	Grommet	1		
20	4201986	Grommet	9		
21	4208279	Grommet	2		
22	4649152	Spacer	2		
23	24M7346	Washer	4		11 X 20 X 2 mm, SUB FOR DH400703
24	AT318060	Pin Fastener	2		SUB FOR 3088573
25	FF110004	Shim	4		
26	14M7276	Nut	4		M16, SUB FOR J950016
27	FF110003	Shim	4		
28	4435129	Pin Fastener	2		
29	FF110001	Shim	2		
30	FF110026	Shim	1		
31	FF110002	Shim	1		
32	FXV00000244	Isolator	1		
33	FXV00000229	Isolator	3		
34	FXV00000221	Insulator	2		
35	FXV00000215	Isolator	1		

Counterweight

TX1188518 A.1

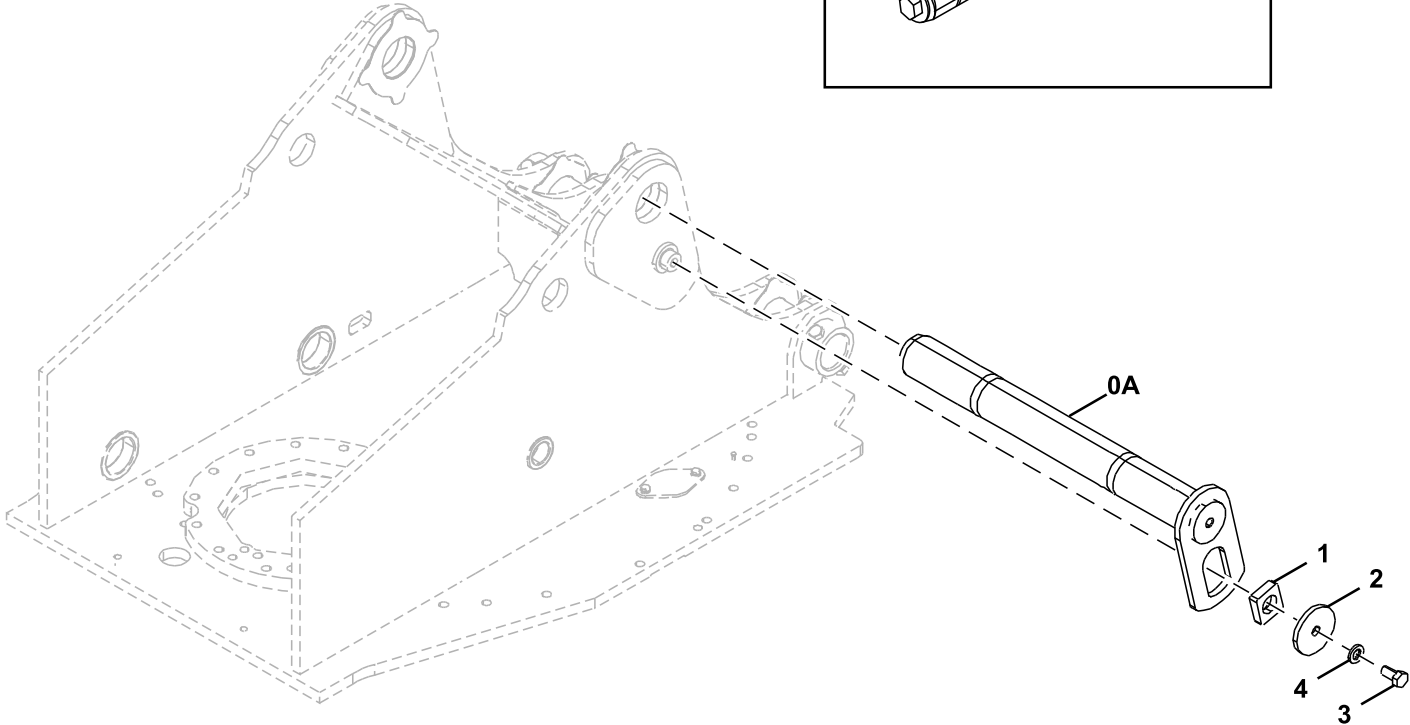
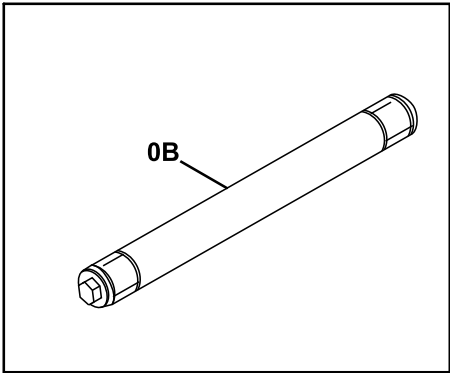


FF531206_TX1188518

<i>Key</i>	<i>Part No.</i>	<i>Part Name</i>	<i>Qty.</i>	<i>Serial No.</i>	<i>Remarks</i>
1	FF531207	Counterweight	1		Line Fill
2	4652779	Isolator	1		
3	DH400360	Cap	2		
4	4174859P	Washer	4		
5	FF528862	Cover	1		SUB FOR FF509584
6	19M7938	Cap Screw	4		M10 X 20, SUB FOR J901020
7	J823030	Bolt	4		
8	24M7346	Washer	4		11 X 20 X 2 mm, SUB FOR DH400703

Boom Foot Pin

TX1104102 A.1



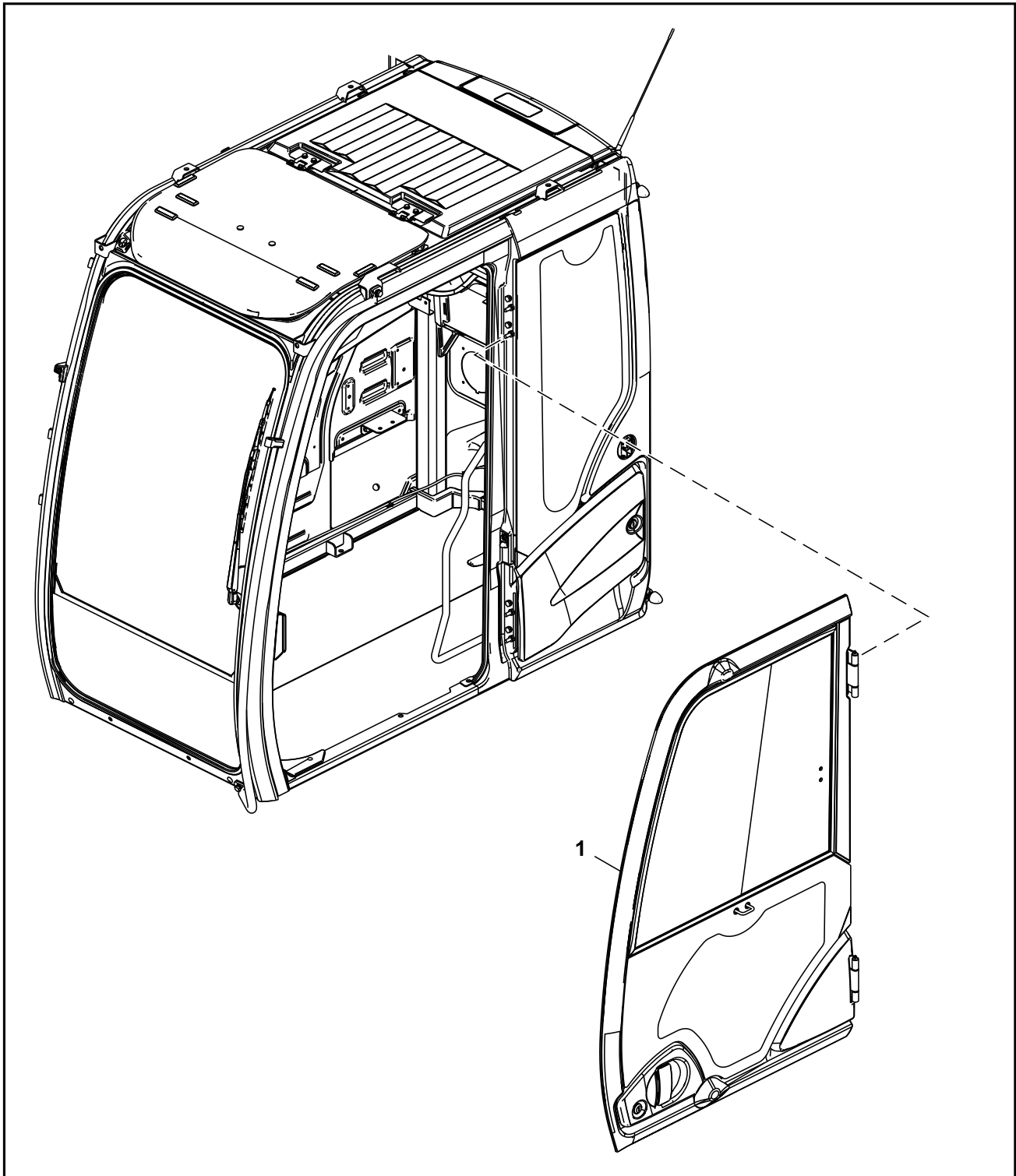
TX1104102

17 Frame Chassis Or Supporting Structure
1740 Frame Installation

<i>Key</i>	<i>Part No.</i>	<i>Part Name</i>	<i>Qty.</i>	<i>Serial No.</i>	<i>Remarks</i>
0A	8102646	Pin Fastener	1		SUB FOR 3107472
0B	AT361191	Pin	1		Expander Pin Option, INCLUDES T248607
	T248607	Sleeve	2		
1	4424425	Spacer	1		
2	4640621	Plate	1		
3	T116332	Bolt	1		M18 X 40, SUB FOR J921840
4	24M7353	Washer	1		20 X 34 X 3 mm, SUB FOR J222018

Cab

TX1089426 B.1



TX1089426

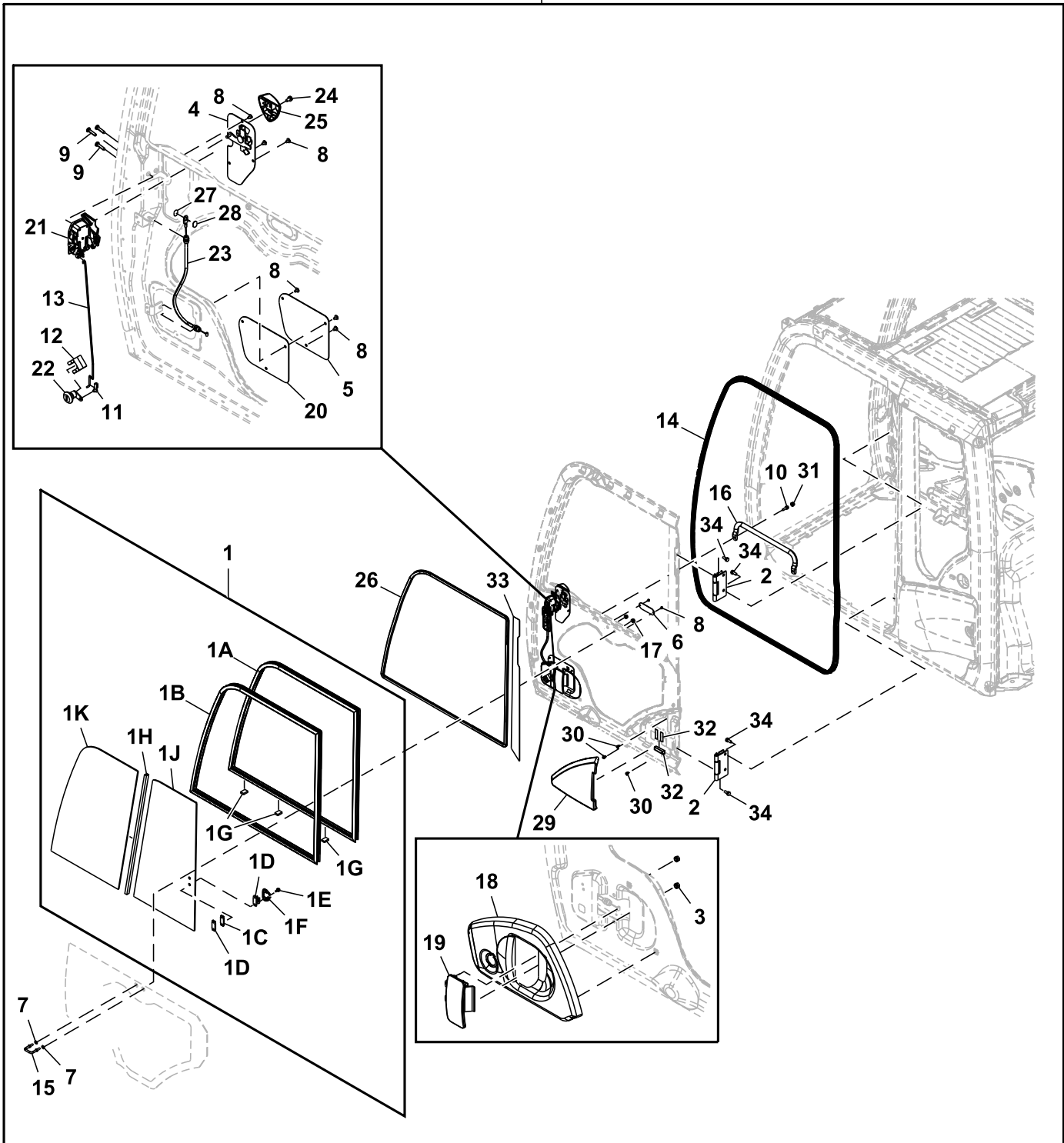
2

Key	Part No.	Part Name	Qty.	Serial No.	Remarks
1	FYA00047981	Door	1		SUB FOR FYA00001493
2	FYA00037704	Cab	1	-340456	SUB FOR FYA00009655
	FYA00056767	Cab	1	340457-	

Cab Components, Door

TX1237813 B.1

40

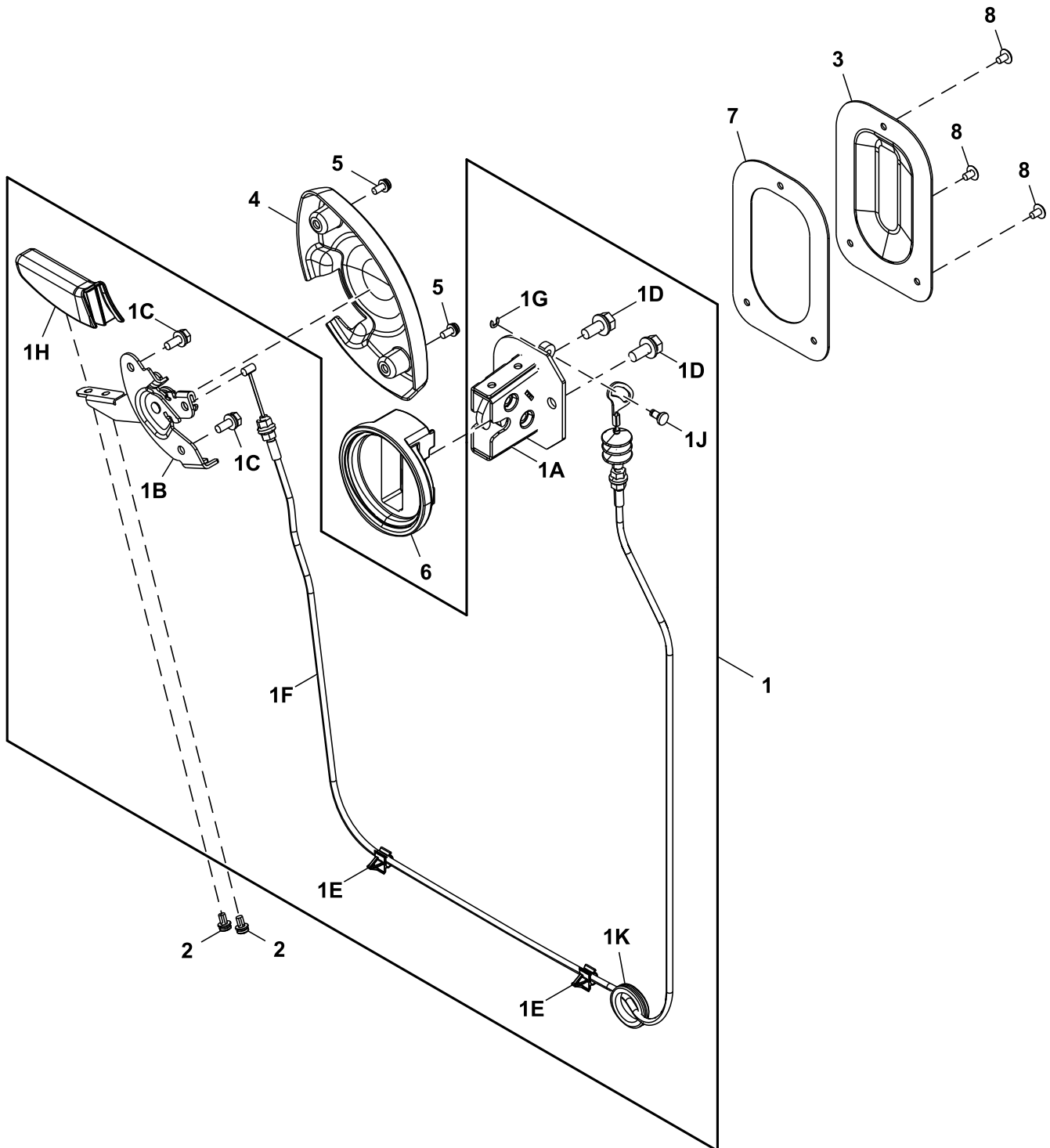


TX1237813

Key	Part No.	Part Name	Qty.	Serial No.	Remarks
1	FXB00013903	Window	1		SUB FOR FXB00000975
1A	Frame	1		FXB00000976 NLA, ORDER FXB00013903
1B	Channel	1		FXB00000977 NLA, ORDER FXB00013903
1C	4420531	Spacer	1		
1D	4369653	Lock	1		
1E	J850412	Screw	2		
1F	FXB00000979	Cover	1		
1G	4411682	Isolator	3		
1H	FXB00000980	Seal	1		
1J	FYA00001501	Window	1		
1K	Window	1		FYA00001500 NLA, ORDER FXB00013903
2	FXB00000981	Hinge	2		
3	FXB00000982	Nut	2		
4	FXB00000983	Handle	1		
5	4665500	Cover	1		
6	4665501	Cover	1		
7	24M7055	Washer	2		8.400 X 16 X 1.600 mm, SUB FOR A590108
8	4706566	Screw	8		
9	FXB00000984	Screw	3		
10	19M7288	Cap Screw	2		M8 X 30, SUB FOR 4708387
11	FXB00000985	Holder	1		
12	4372091	Clip	1		
13	FXB00000986	Rod	1		
14	FXB00000987	Isolator	1		
15	FXB00000988	Bolt	1		
16	FXB00000989	Handrail	1		
17	4414857	Nut	2		
18	FXB00000990	Cover	1		
19	FXB00000991	Handle	1		
20	4665503	Seal	1		
21	FXB00000992	Lock	1		
22	FXB00000993	Key	1		Key Cylinder, Door Lock Cylinder
23	FXB00000994	Cable	1		
24	4662252	Bolt	1		
25	4665490	Grip	1		
26	FXB00000995	Isolator	1		
27	FXB00000996	Spacer	1		
28	FXB00000997	Spacer	1		
29	FYA00046808	Cover	1		SUB FOR FXB00000998
30	FXB00000999	Clip	3		
31	FXB00000923	Cap	2		
32	FXB00001000	Seal	3		
33	FXB00001001	Seal	1		
34	Screw With Washer	8		4411829 NLA
	R168831	Cap Screw	8		
	24M7271	Washer	8		10.500 X 20 X 2 mm
40	FYA00047981	Door	1		SUB FOR FYA00001493, Additional Components On Separate Pages

Cab Components, Door Catch

TX1085686 C.1

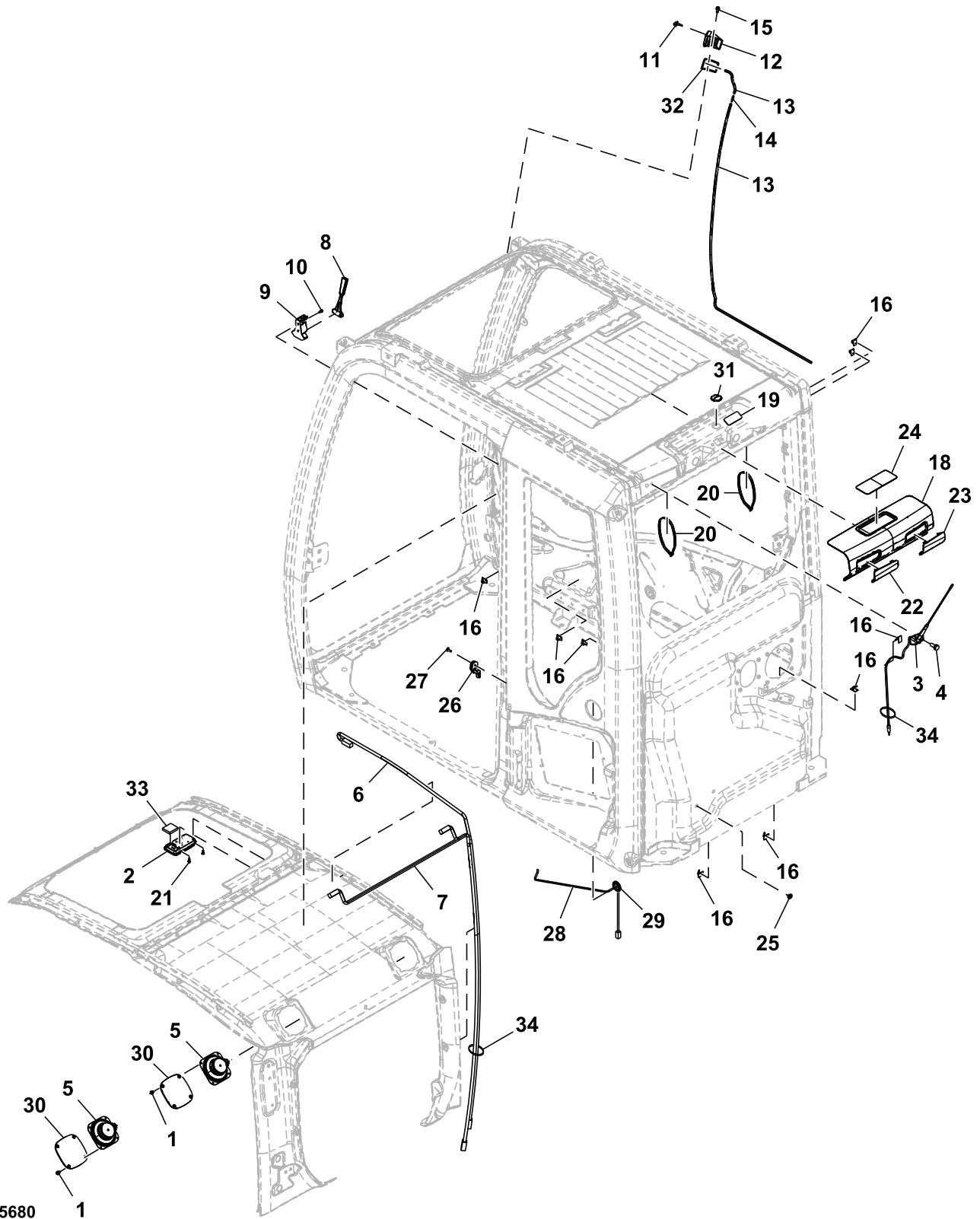


TX1085686

Key	Part No.	Part Name	Qty.	Serial No.	Remarks
1	Latch	1		FXB00000967 NLA, Furnish Components
1A	FXB00000968	Latch	1		
1B	4662724	Lever	1		
1C	4662730	Bolt	2		
1D	4658110	Bolt	2		
1E	4662728	Clip	2		
1F	4662727	Cable	1		
1G	4662722	Snap Ring	1		
1H	4662725	Handle	1		
1J	4662721	Pin	1		
1K	4607409	Bushing	1		
2	FXB00000970	Bolt	2		
3	FXB00000971	Cover	1		
4	4662726	Cover	1		
5	4662729	Screw	2		
6	FXB00000972	Isolator	1		
7	FXB00000973	Packing	1		
8	4706566	Screw	3		

Cab Components, Cab Light, Antenna, and Speakers

TX1085680 G.1

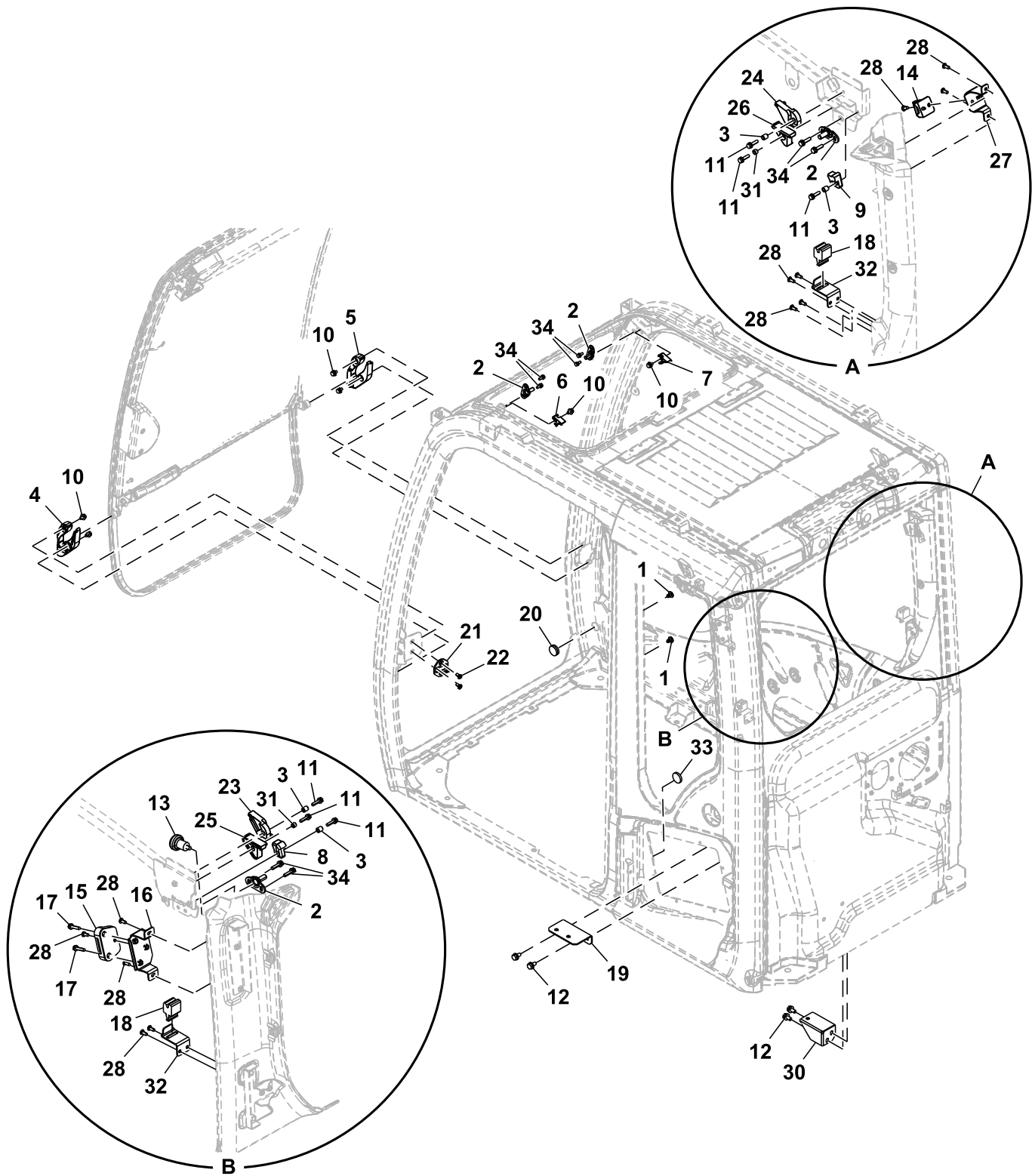


TX1085680

Key	Part No.	Part Name	Qty.	Serial No.	Remarks
1	4372608	Screw	8		
2	FYA00044233	Lamp	1		SUB FOR FYA00003626
3	FXB00000883	Antenna	1		
4	FXB00000884	Bolt	1		
5	4361302	Speaker	2		
6	FXB00000885	Wiring Harness	1		Dome Light
7	FXB00000886	Wiring Harness	1		Speaker
8	4362700	Hammer	1		Emergency Exit
9	2038764	Bracket	1		
10	4662729	Screw	2		
11	4464394	Nozzle	1		
12	4662759	Housing	1		
13	Bulk Hose	1		MAKE FROM TY25139; CTL; 4666369 NLA
14	4367481	Flow Control Hyd. Valve	1		
15	4658095	Bolt	1		
16	4662758	Clip	9		
18	FXB00000888	Cover	1		
19	FXB00000889	Seal	1		
20	4662378	Clip	2		
21	4662368	Screw	2		
22	FXB00000890	Cover	1		
23	FYA00005153	Cover	1		
24	FXB00000891	Cover	1		
25	4287903	Grommet	1		
26	FXB00000892	Switch	1		Door
27	FXB00000893	Screw	1		
28	FXB00000894	Wiring Harness	1		Door Switch Wiring Harness
29	FXB00000895	Bushing	1		
30	4685180	Grille	2		
31	4662744	Bushing	1		
32	FXB00000896	Isolator	1		
33	FXB00000897	Isolator	1		
34	FXB00002565	Band	2		
90	FYA00067989	Cab	1	-140099	Not Illustrated, Contains All Parts Listed On This Page, Additional Components On Separate Pages, SUB FOR FYA00037704
	FYA00056767	Cab	1	140100-	Not Illustrated, Contains All Parts Listed On This Page, Additional Components On Separate Pages

Cab Components, Brackets, Bushings, and Stoppers

TX1085682 D.1

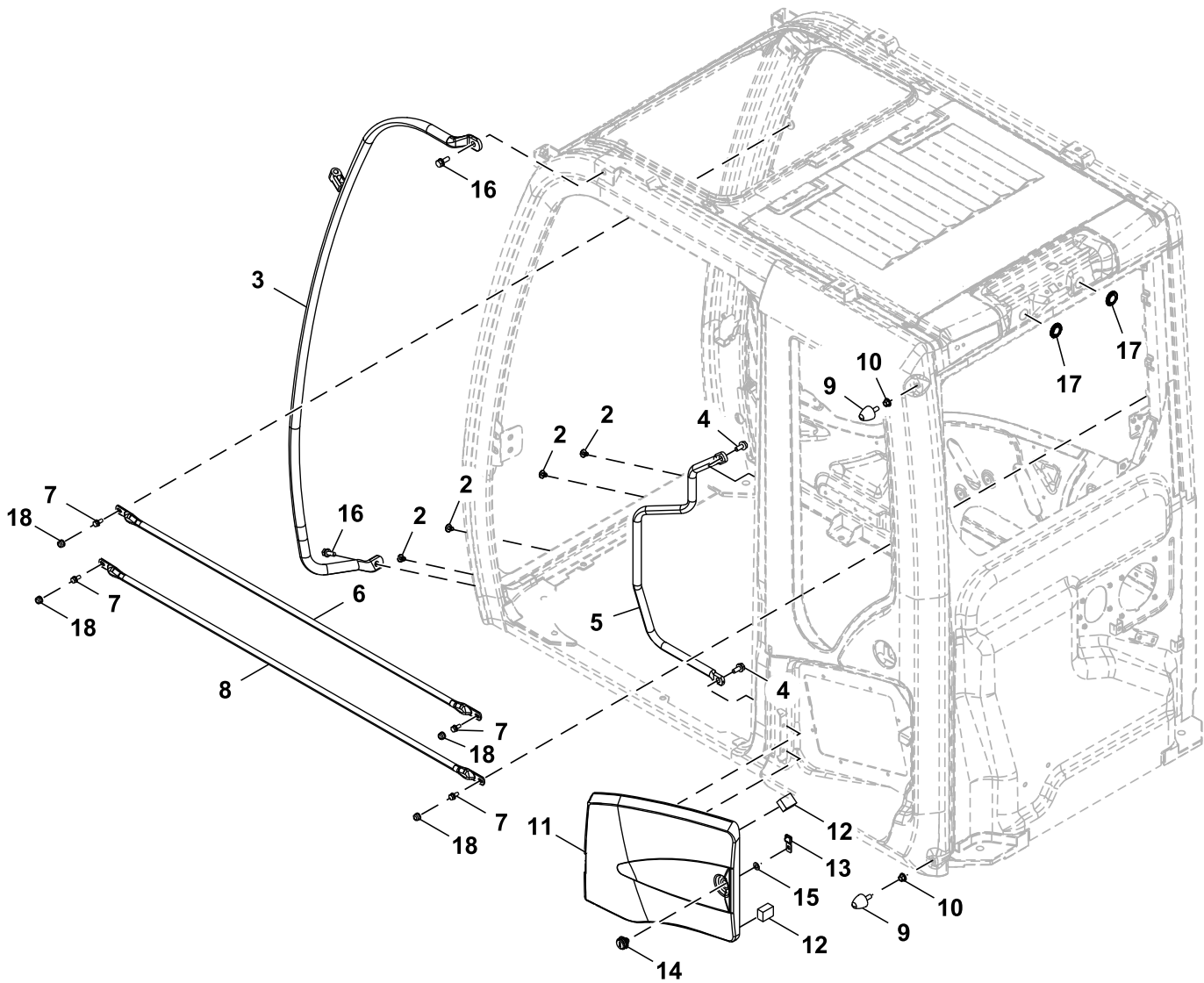


TX1085682

Key	Part No.	Part Name	Qty.	Serial No.	Remarks
1	4662755	Clip	2		
2	4662242	Striker	4		
3	4662227	Bushing	4		
4	FXB00000905	Isolator	1		
5	FXB00000906	Isolator	1		
6	4662230	Plug	1		
7	4662231	Plug	1		
8	4662232	Plug	1		
9	4662233	Plug	1		
10	4662245	Bolt	6		
11	4708351	Bolt	6		
12	Screw With Washer	4		J271020 NLA
	19M7938	Cap Screw	4		M10 X 20, SUB FOR J901020
	24M7346	Washer	4		11 X 20 X 2 mm, SUB FOR J222010
13	4295573	Hook	1		SUB FOR 4341413
14	4464305	Holder	1		
15	4464273	Holder	1		
16	FXB00000907	Bracket	1		
17	4662741	Bolt	2		
18	4464309	Holder	2		
19	FXB00000908	Bracket	1		
20	4466815	Bushing	1		
21	FXB00000909	Striker	1		
22	4341415	Screw With Washer	2		
23	FXB00000910	Stop	1		
24	FXB00000911	Stop	1		
25	FXB00002590	Isolator	1		SUB FOR FXB00000912
26	FXB00002591	Isolator	1		SUB FOR FXB00000913
27	FXB00000914	Bracket	1		
28	4609479	Screw	12		
30	FXB00000915	Bracket	1		
31	4456237	Bushing	2		
32	FXB00000916	Bracket	2		
33	4708533	Bushing	1		
34	4662224	Bolt	8		
90	FYA00067989	Cab	1	-140099	Not Illustrated, Contains All Parts Listed On This Page, Additional Components On Separate Page, SUB FOR FYA00037704
	FYA00056767	Cab	1	140100-	Not Illustrated, Contains All Parts Listed On This Page, Additional Components On Separate Page

Cab Components, Handrail and Guard Bars

TX1210425 B.1

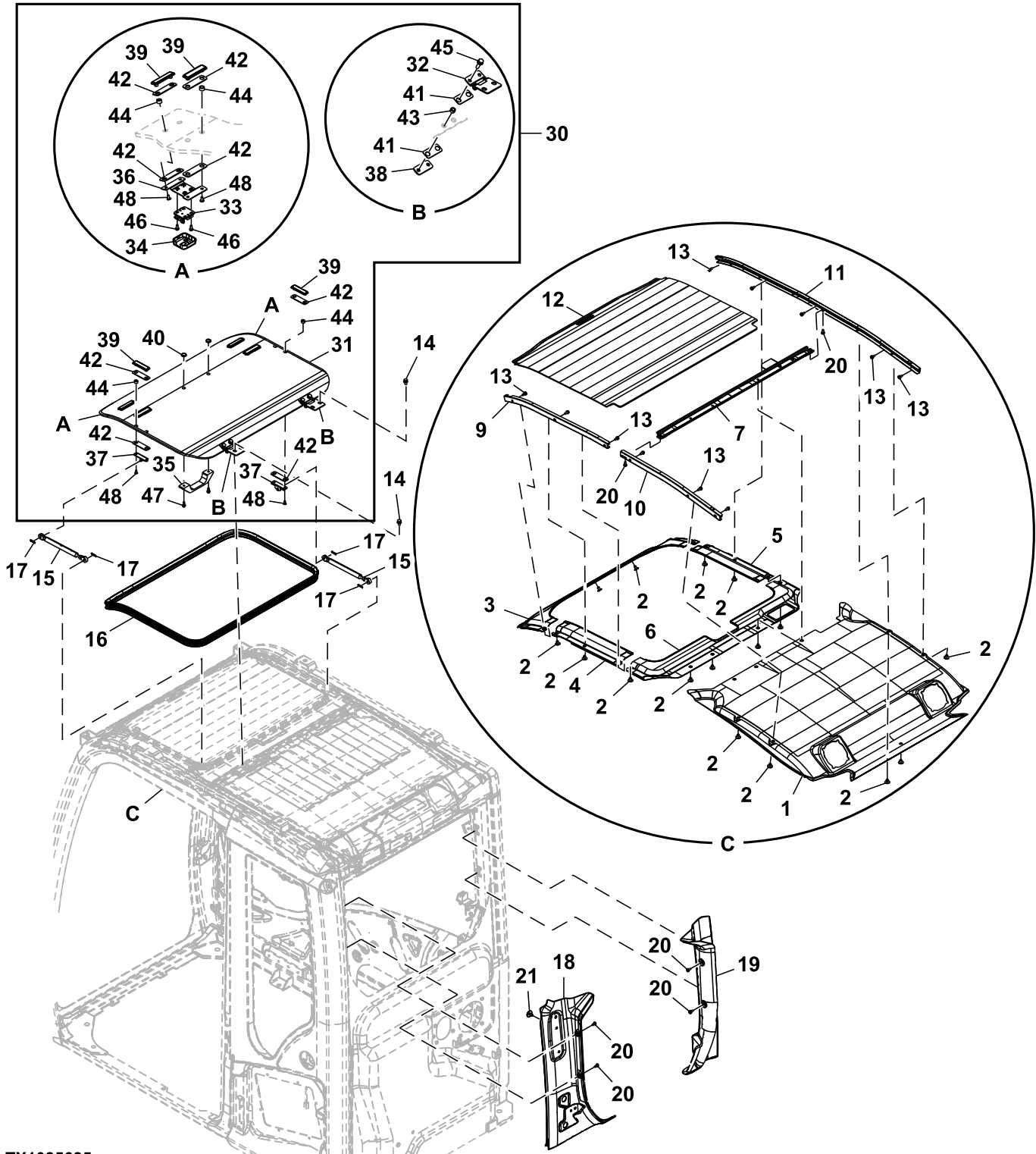


TX1210425

Key	Part No.	Part Name	Qty.	Serial No.	Remarks
2	4662755	Clip	4		
3	FXB00000917	Handrail	1		
4	Screw With Washer	2		J271025 NLA
	19M7402	Cap Screw	2		M10 X 25, SUB FOR J901025
	24M7346	Washer	2		11 X 20 X 2 mm, SUB FOR J222010
5	FXB00000918	Handrail	1		
6	FXB00000919	Guard	1		
7	4658110	Bolt	4		
8	FXB00000920	Guard	1		
9	4607054	Stop	2		
10	4341450	Nut	2		
11	FYA00046807	Cover	1		SUB FOR FXB00000921
12	FXB00000922	Isolator	2		
13	4662751	Lock Plate	1		
14	4662763	Lock	1		
15	4662770	Washer	1		
16	4665689	Bolt	2		
17	FYA00005155	Grommet	2		
18	FXB00000923	Cap	4		

Cab Components, Sunroof, Shade, and Headliner

TX1085685 D.1

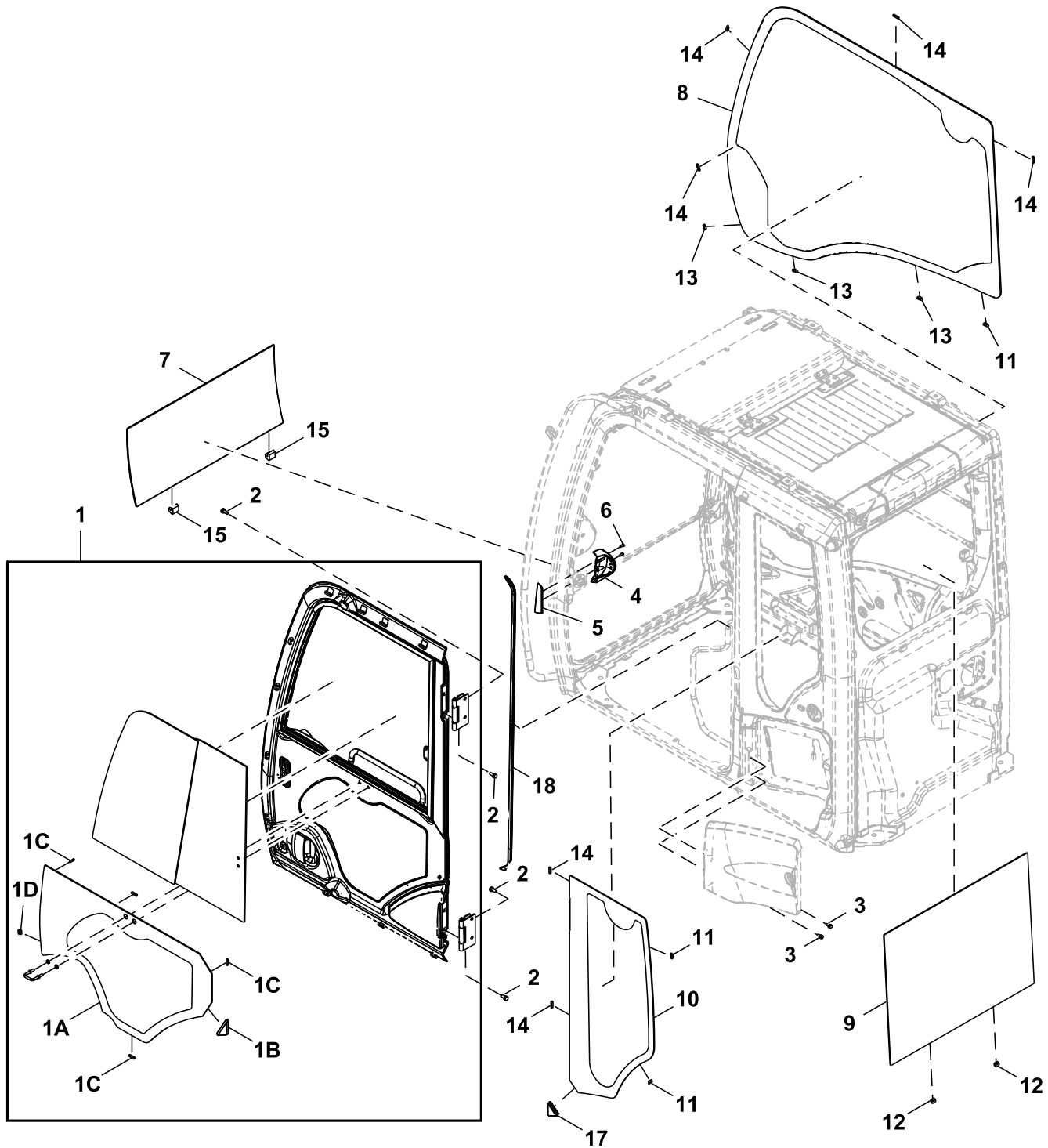


TX1085685

Key	Part No.	Part Name	Qty.	Serial No.	Remarks
1	FYA00005147	Headliner	1		
2	4662718	Clip	16		
3	FXB00000947	Cover	1		
4	FXB00000948	Cover	1		
5	FXB00000949	Cover	1		
6	FXB00000950	Cover	1		
7	FXB00000951	Bracket	1		
9	FXB00000961	Cover	1		
10	FXB00000962	Cover	1		
11	FXB00000963	Cover	1		
12	FXB00000964	Cover	1		
13	4662252	Bolt	11		
14	4658110	Bolt	4		
15	4369619	Cylinder	2		
16	FXB00000965	Isolator	1		
17	4603981	Pin	4		SUB FOR 4022697
18	FYA00005148	Cover	1		
19	FXB00000966	Cover	1		
20	4685091	Screw	6		
21	FYA00027583	Clip	2		SUB FOR FYA00005150
30	FXB00000957	Roof	1		
31	4662359	Roof	1		
32	4662360	Hinge	2		
33	FXB00000956	Lock	2		
34	FXB00000954	Cover	2		
35	4662358	Grip	1		
36	4662362	Bracket	2		
37	4662361	Bracket	2		
38	4662366	Bracket	2		
39	4662356	Retainer	6		
40	4662357	Retainer	2		
41	4474476	Packing	4		
42	FXB00000958	Packing	12		
43	4474482	Bushing	4		
44	FXB00000959	Isolator	12		
45	19M7288	Cap Screw	4		M8 X 30, SUB FOR 4708387
46	4662368	Screw	8		
47	FXB00000960	Screw	2		
48	4662364	Screw	12		

Cab Components, Cab Glass

TX1085681 D.1

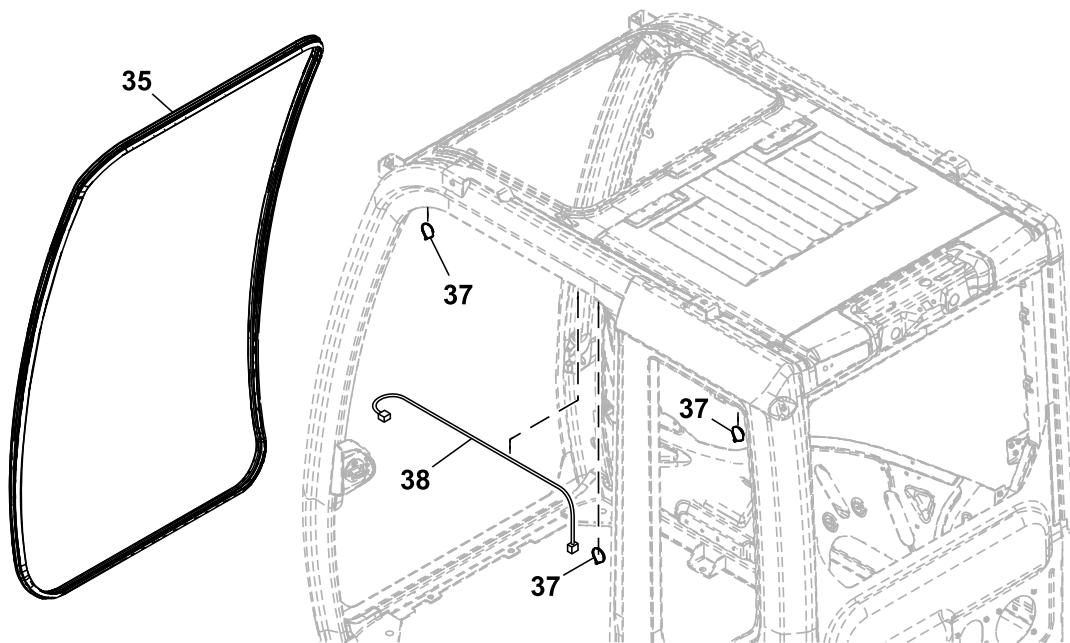
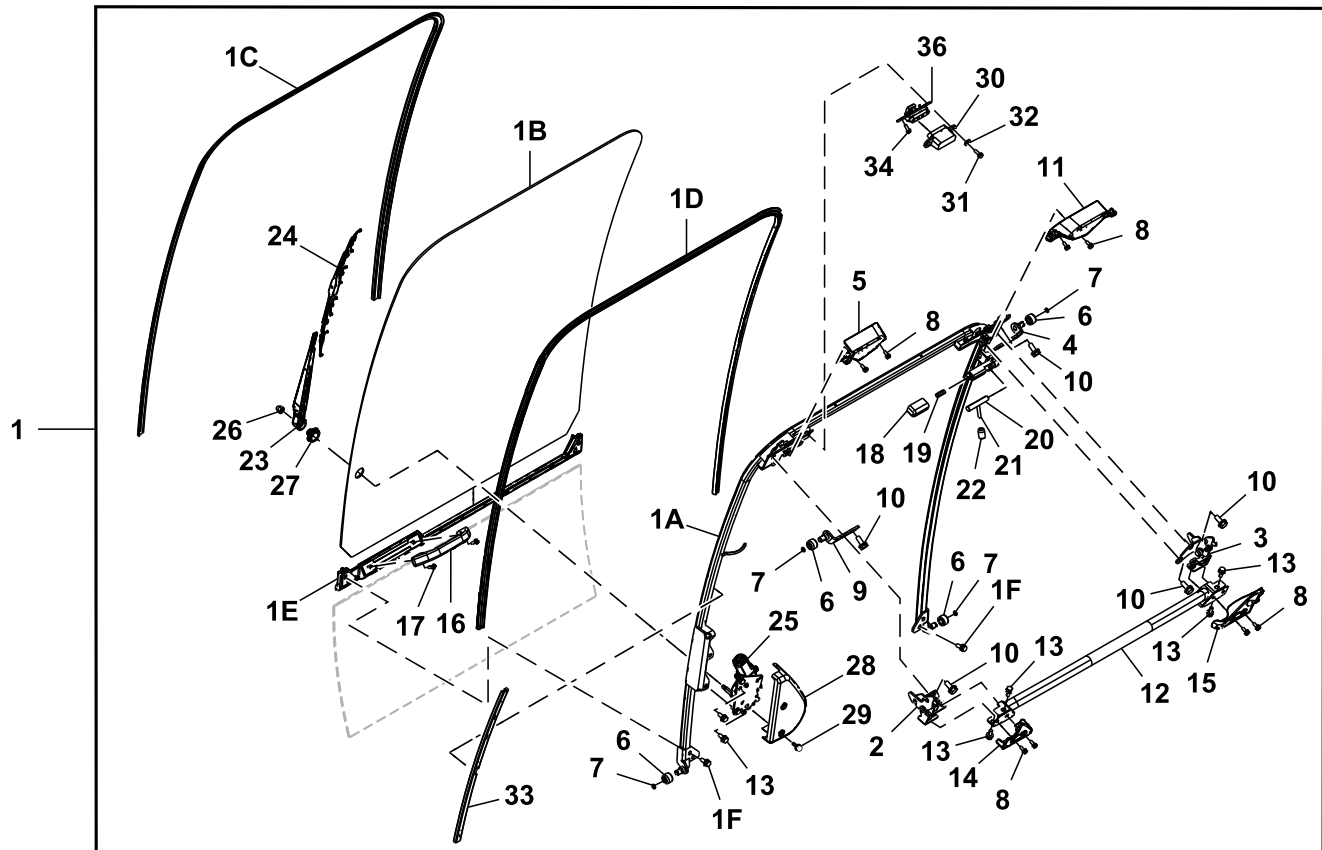


TX1085681

Key	Part No.	Part Name	Qty.	Serial No.	Remarks
1	FYA00047981	Door	1		SUB FOR FYA00001493, Additional Components On Seperate Pages
1A	FYA00001499	Window	1		
1B	FXB00000901	Stop	1		
1C	4659595	Isolator	4		
1D	4659592	Bushing	1		
2	Screw With Washer	8		4411829 NLA
	R168831	Cap Screw	8		
	24M7271	Washer	8		10.500 X 20 X 2 mm
3	4658110	Bolt	2		
4	FXB00000899	Cover	1		
5	FXB00000900	Cover	1		
6	4485892	Bolt	2		
7	T396635	Windowpane	1		SUB FOR 4651654
8	FYA00001496	Window	1		Right
9	FYA00001497	Window	1		Rear
10	FYA00001498	Window	1		Left Rear
11	4659592	Bushing	3		
12	4659593	Bushing	2		
13	4659594	Bushing	3		
14	4659595	Isolator	6		
15	4662735	Bushing	2		
17	FXB00000902	Stop	1		
18	4662747	Isolator	1		

Cab Components, Windshield

TX1085684 F.1

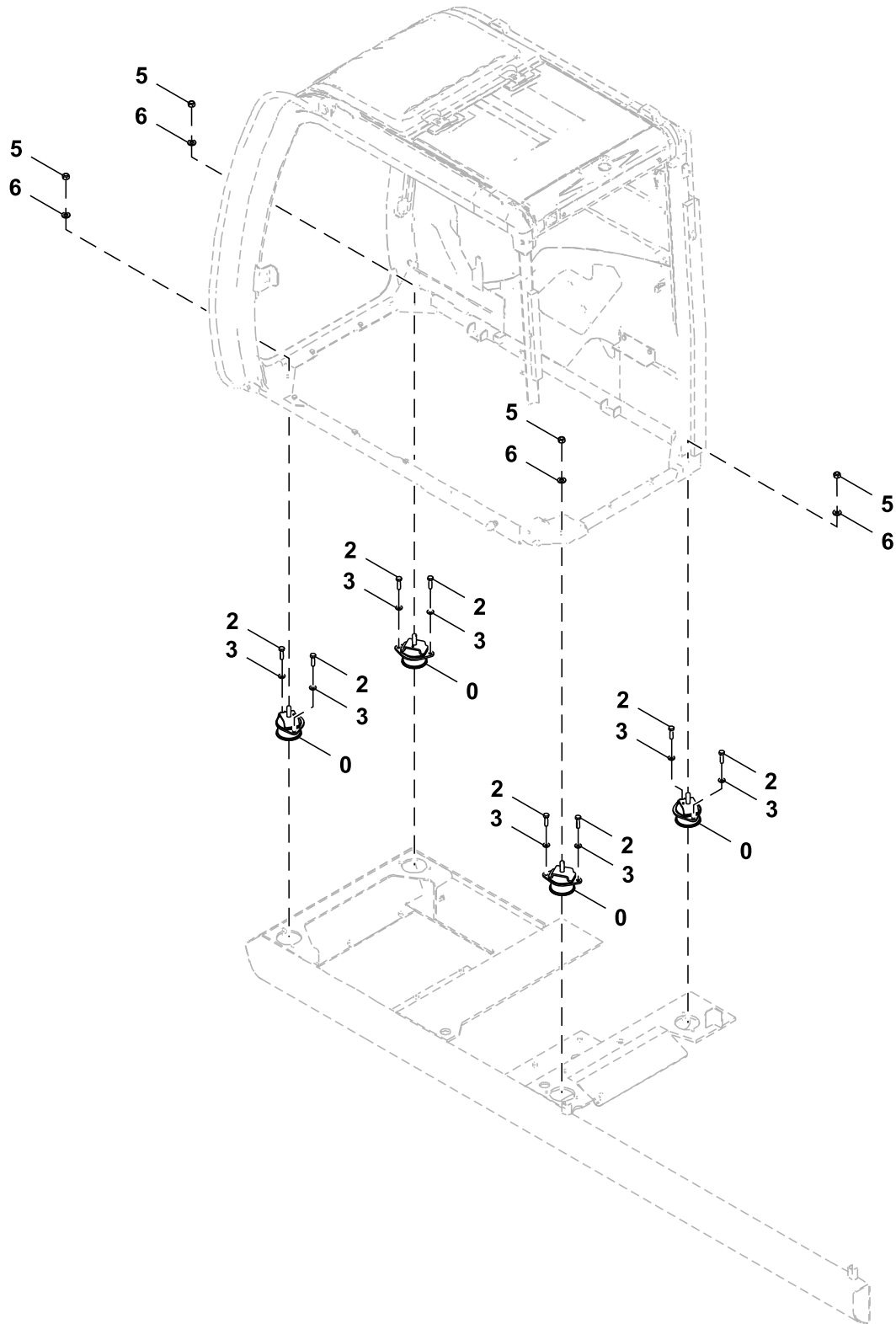


TX1085684

Key	Part No.	Part Name	Qty.	Serial No.	Remarks
1	FYA00042777	Window	1		SUB FOR FYA00000236
1A	FXB00000926	Frame	1		
1B	T396393	Windowpane	1		SUB FOR FYA00001495
1C	FXB00000927	Isolator	1		
1D	FXB00000928	Isolator	1		
1E	FXB00000929	Isolator	1		
1F	4658110	Bolt	4		
2	FXB00000930	Lock	1		
3	FXB00000931	Lock	1		
4	FYA00044509	Bracket	1		ALSO ORDER FYA00044508, SUB FOR FXB00000932
5	FXB00000933	Cover	1		
6	4204558	Roller	4		
7	FXB00000934	Spring	4		
8	FXB00000935	Bolt	8		
9	FYA00044508	Bracket	1		ALSO ORDER FYA00044509, SUB FOR FXB00000936
10	4662250	Bolt	8		
11	FXB00000938	Cover	1		
12	FXB00000939	Handle	1		
13	4658110	Bolt	6		
14	FXB00000940	Cover	1		
15	FXB00000941	Cover	1		
16	4204579	Handle	1		
17	4485892	Bolt	2		
18	4456227	Cover	1		
19	FXB00005198	Spring	1		SUB FOR 4662251
20	4662243	Shaft	1		
21	4662223	Lever	1		
22	4607646	Cover	1		
23	4650571	Wiper Arm	1		
24	4650572	Wiper Blade	1		
25	FYA00010377	Wiper Motor	1		SUB FOR 4709168
26	4464401	Nut	1		
27	4660025	Cap	1		SUB FOR 4656158
28	4650573	Cover	1		
29	4658109	Bolt	2		
30	4658091	Elec. Connector Terminal	1		
31	4658095	Bolt	2		
32	4662226	Washer	2		
33	FXB00000942	Cover	1		
34	4658094	Screw	2		
35	4659659	Isolator	1		
36	4658090	Switch	1		Wiper
37	4377820	Clamp	3		
38	FXB00000943	Wiring Harness	1		Windshield Wiper

Cab Mounts

TX1102564 D.1

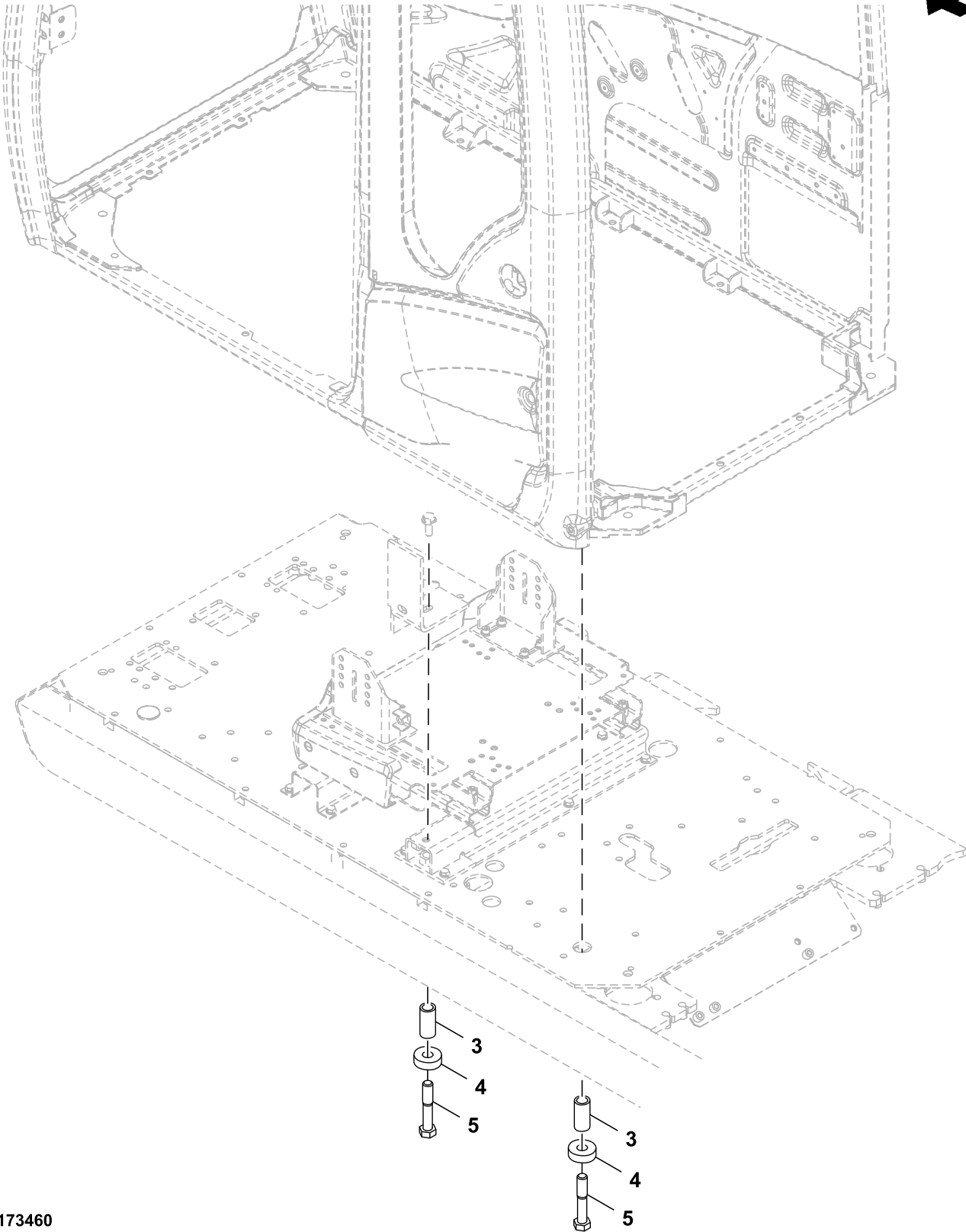


TX1102564

Key	Part No.	Part Name	Qty.	Serial No.	Remarks
0	4630660	Isolator	4		Bottom
2	19M7496	Cap Screw	8		M12 X 45, SUB FOR J921245
3	24M7345	Washer	8		13.500 X 24 X 2.500 mm, SUB FOR J222012
5	14M7328	Lock Nut	4		M16, SUB FOR 4423699
6	24M7338	Washer	4		17 X 30 X 3 mm, SUB FOR J222016

Cab Anchor Bolt

TX1173460 C.1

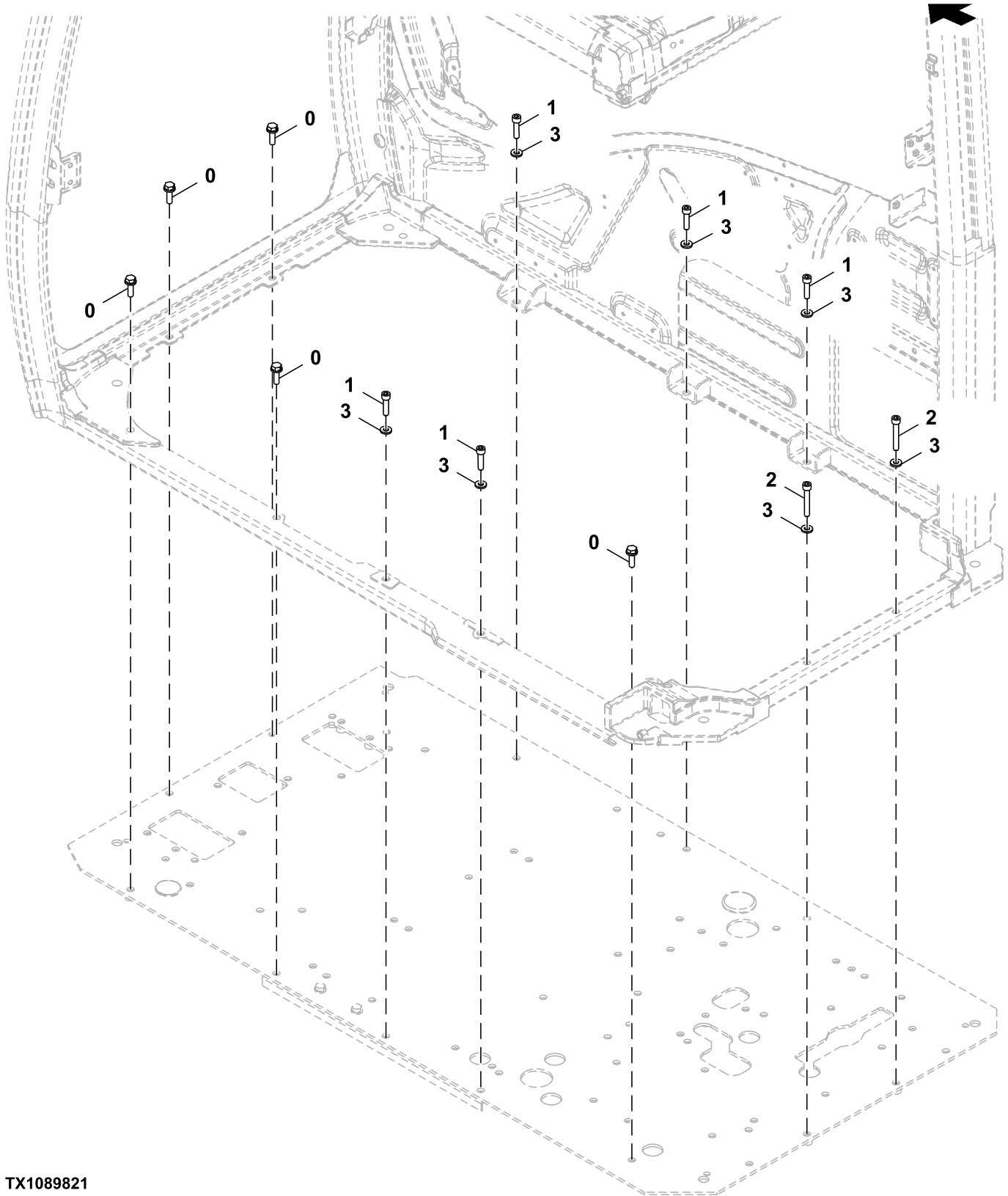


TX1173460

<i>Key</i>	<i>Part No.</i>	<i>Part Name</i>	<i>Qty.</i>	<i>Serial No.</i>	<i>Remarks</i>
3	4630531	Spacer	2		
4	4630532	Washer	2		
5	R134070	Cap Screw	2		SUB FOR J922204

Cab Floor Plate Hardware

TX1089821 D.1

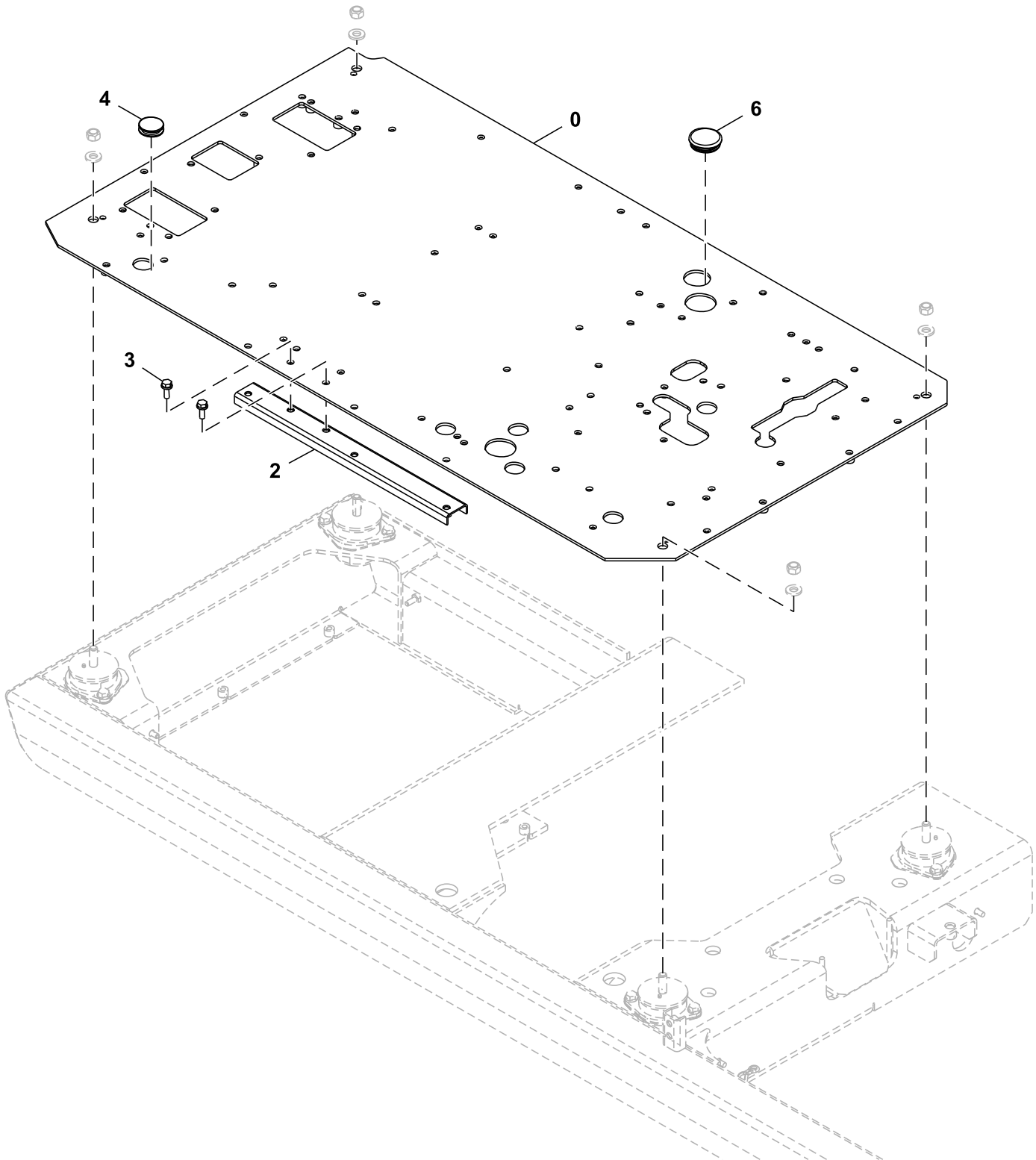


TX1089821

Key	Part No.	Part Name	Qty.	Serial No.	Remarks
0	Screw With Washer	5		J271035 NLA
	19M7550	Cap Screw	5		M10 X 35, SUB FOR J901035
	24M7346	Washer	5		11 X 20 X 2 mm, SUB FOR J222010
1	19M8338	Screw	5		M10 X 40, SUB FOR J781040
2	19M6876	Screw	2		M10 X 65, SUB FOR J781065
3	24M7346	Washer	7		11 X 20 X 2 mm, SUB FOR J222010

Cab Floor Plate

TX1089831 B.1

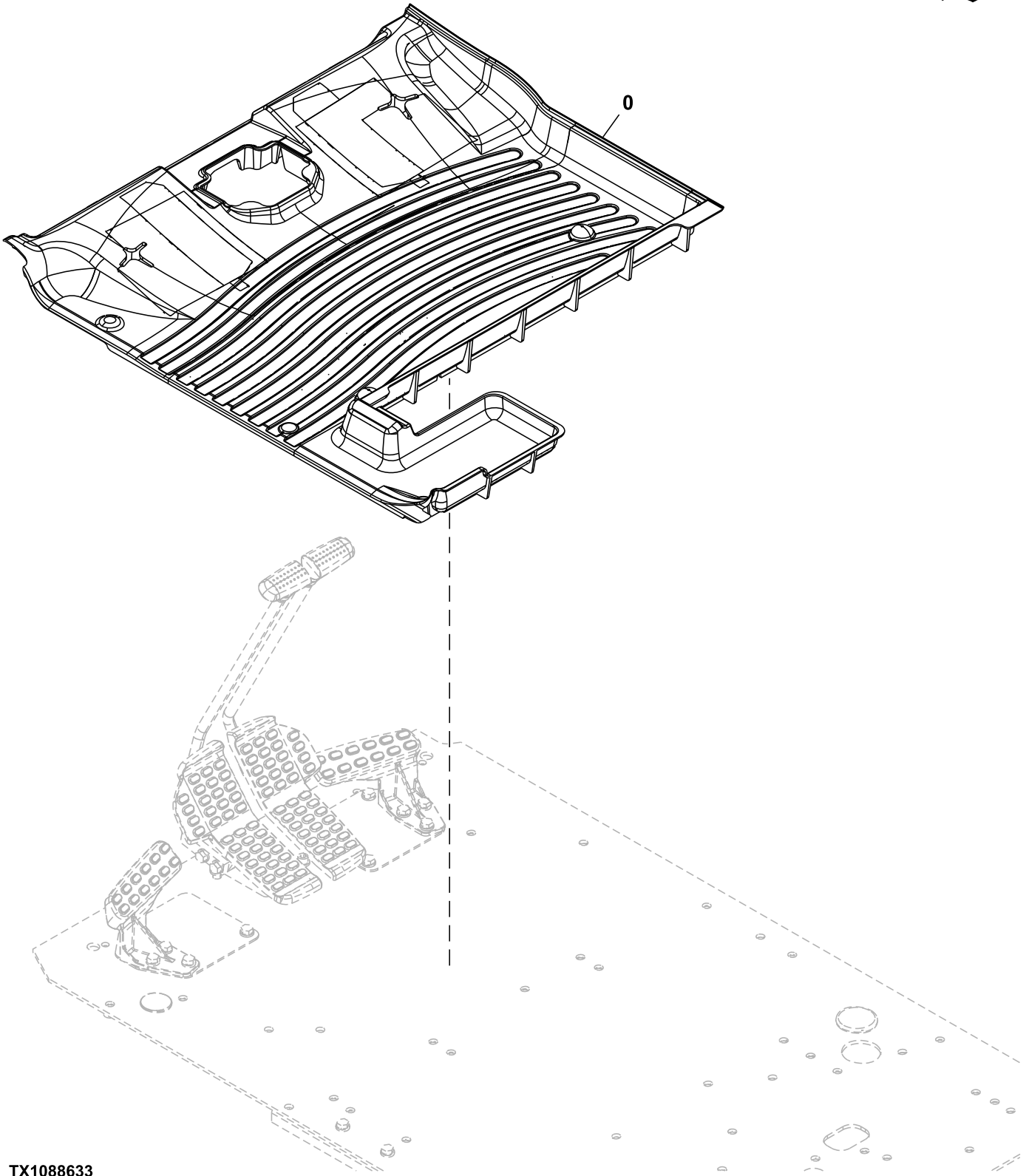


TX1089831

Key	Part No.	Part Name	Qty.	Serial No.	Remarks
0	6027718	Plate	1	-340456	
	FYA40037798	Plate	1	340457-	
2	8098939	Support	1		
3	Screw With Washer	2		J271030 NLA
	19M7662	Cap Screw	2		M10 X 30, SUB FOR J901030
	24M7346	Washer	2		11 X 20 X 2 mm, SUB FOR J222010
4	4288445	Plug	1		
6	4724782	Bushing	1		

Floor Mat

TX1088633 B.1

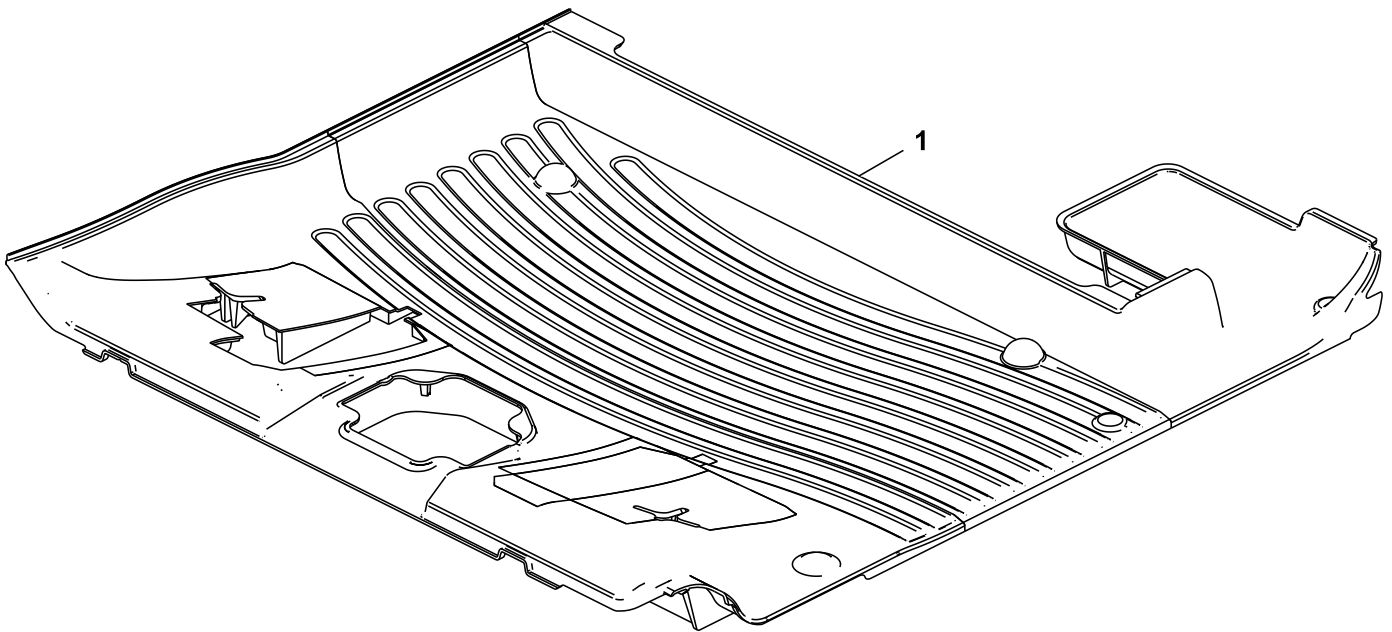


TX1088633

<i>Key</i>	<i>Part No.</i>	<i>Part Name</i>	<i>Qty.</i>	<i>Serial No.</i>	<i>Remarks</i>
0	1035919	Mat	1		

Floor Mat, Auxiliary Hydraulics

TX1103979 D.1

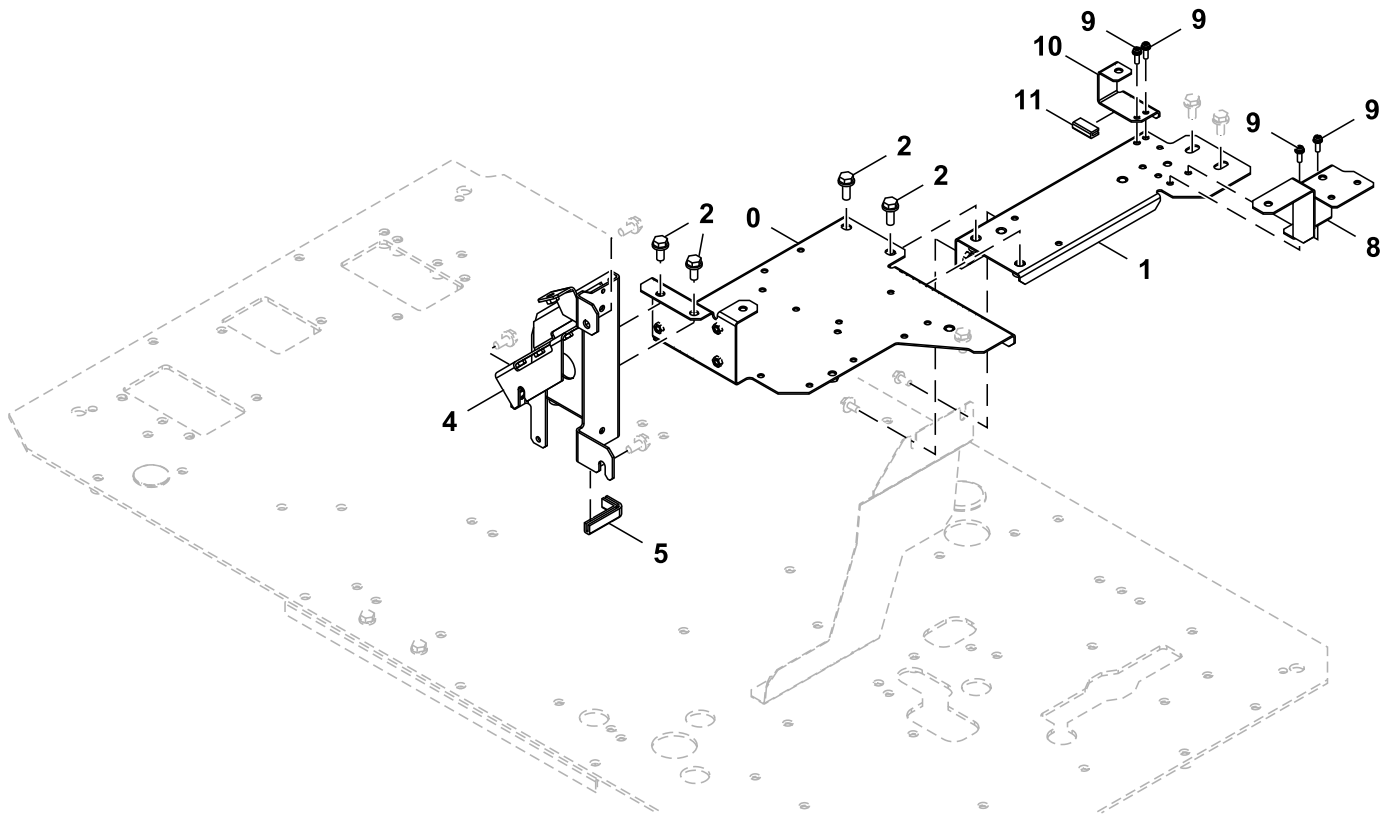


TX1103979

<i>Key</i>	<i>Part No.</i>	<i>Part Name</i>	<i>Qty.</i>	<i>Serial No.</i>	<i>Remarks</i>
1	3120708	Mat	1		With Opening for Dual Pedal Propel, SUB FOR FF511284

Cab Floor Brackets

TX1088636 D.1

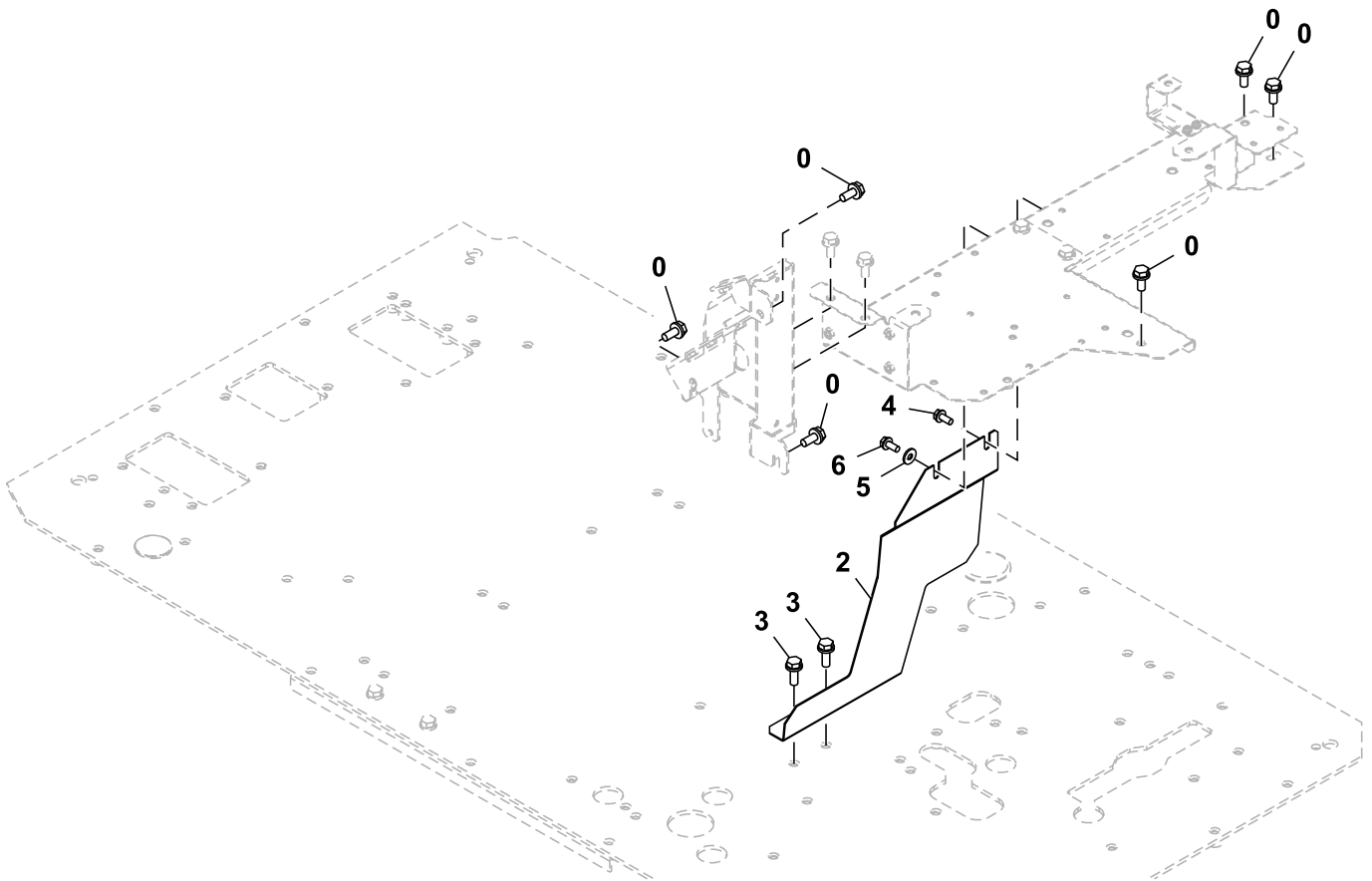


TX1088636

Key	Part No.	Part Name	Qty.	Serial No.	Remarks
0	6027592	Bracket	1		
1	7057539	Bracket	1		
2	Screw With Washer	4		J271030 NLA
	19M7662	Cap Screw	4		M10 X 30, SUB FOR J901030
	24M7346	Washer	4		11 X 20 X 2 mm, SUB FOR J222010
4	6027593	Bracket	1		
5	4649377	Isolator	1		
8	8119301	Bracket	1		
9	Screw With Washer	4		J460620 NLA
	21M7267	Screw	4		M6 X 20
	24M7293	Washer	4		6.500 X 13 X 1.600 mm
	12M7006	Lock Washer	4		6 mm
10	8120757	Bracket	1		
11	4671802	Isolator	1		

Cab Floor Cover

TX1088646 E.1

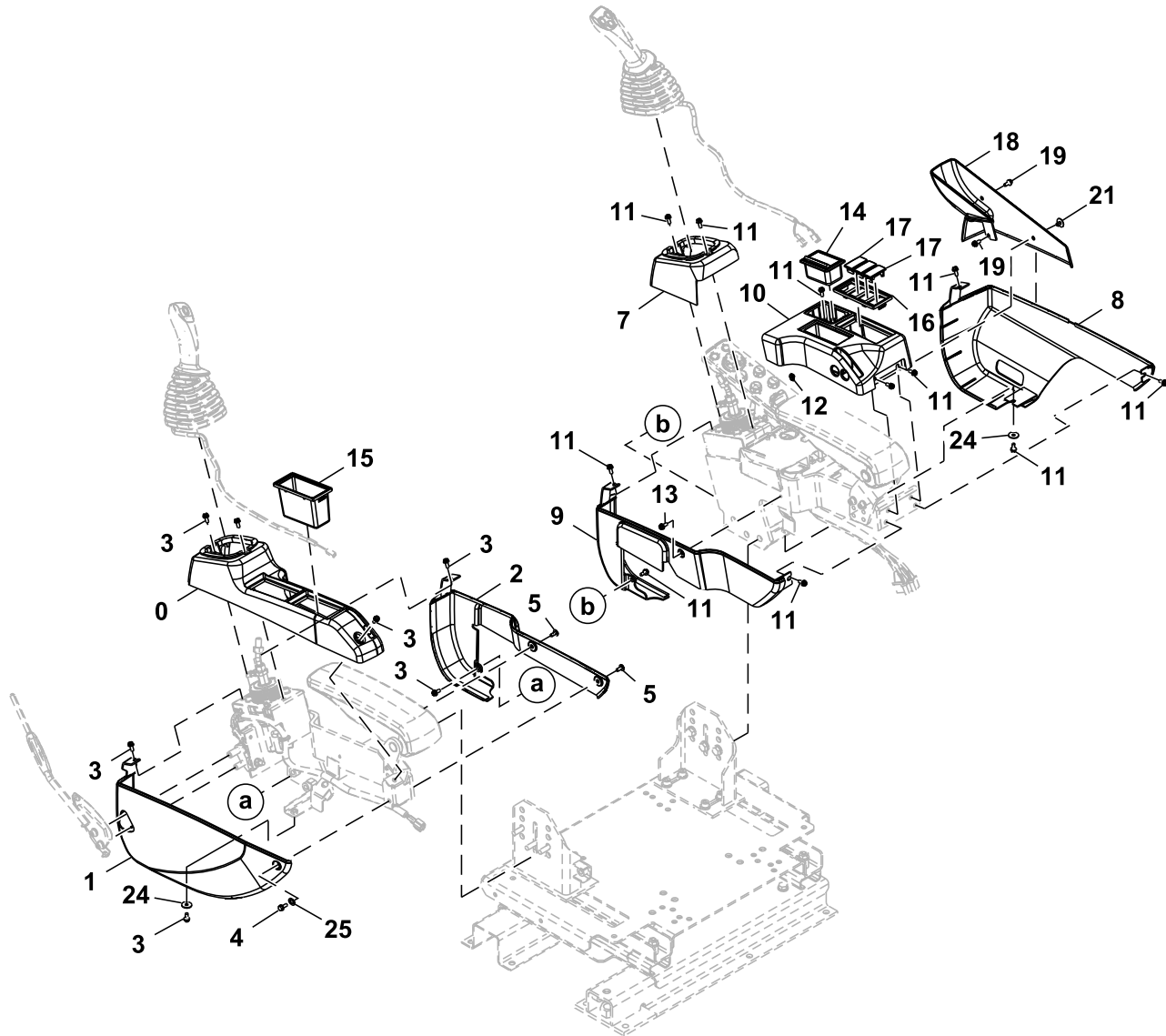


TX1088646

Key	Part No.	Part Name	Qty.	Serial No.	Remarks
0	Screw With Washer	6		J271025 NLA
	19M7402	Cap Screw	6		M10 X 25, SUB FOR J901025
	24M7346	Washer	6		11 X 20 X 2 mm, SUB FOR J222010
2	2058236	Cover	1		
3	Screw With Washer	2		J271030 NLA
	19M7662	Cap Screw	2		M10 X 30, SUB FOR J901030
4	24M7346	Washer	2		11 X 20 X 2 mm, SUB FOR J222010
	Screw With Washer	1		J260820 NLA
	19M7881	Screw	1		M8 X 20, SUB FOR J900820
5	24M7055	Washer	1		8.400 X 16 X 1.600 mm, SUB FOR A590108
	4343991	Washer	1		
6	19M7288	Cap Screw	1		M8 X 30, SUB FOR J900830

Console Cover

TX1161379 B.1

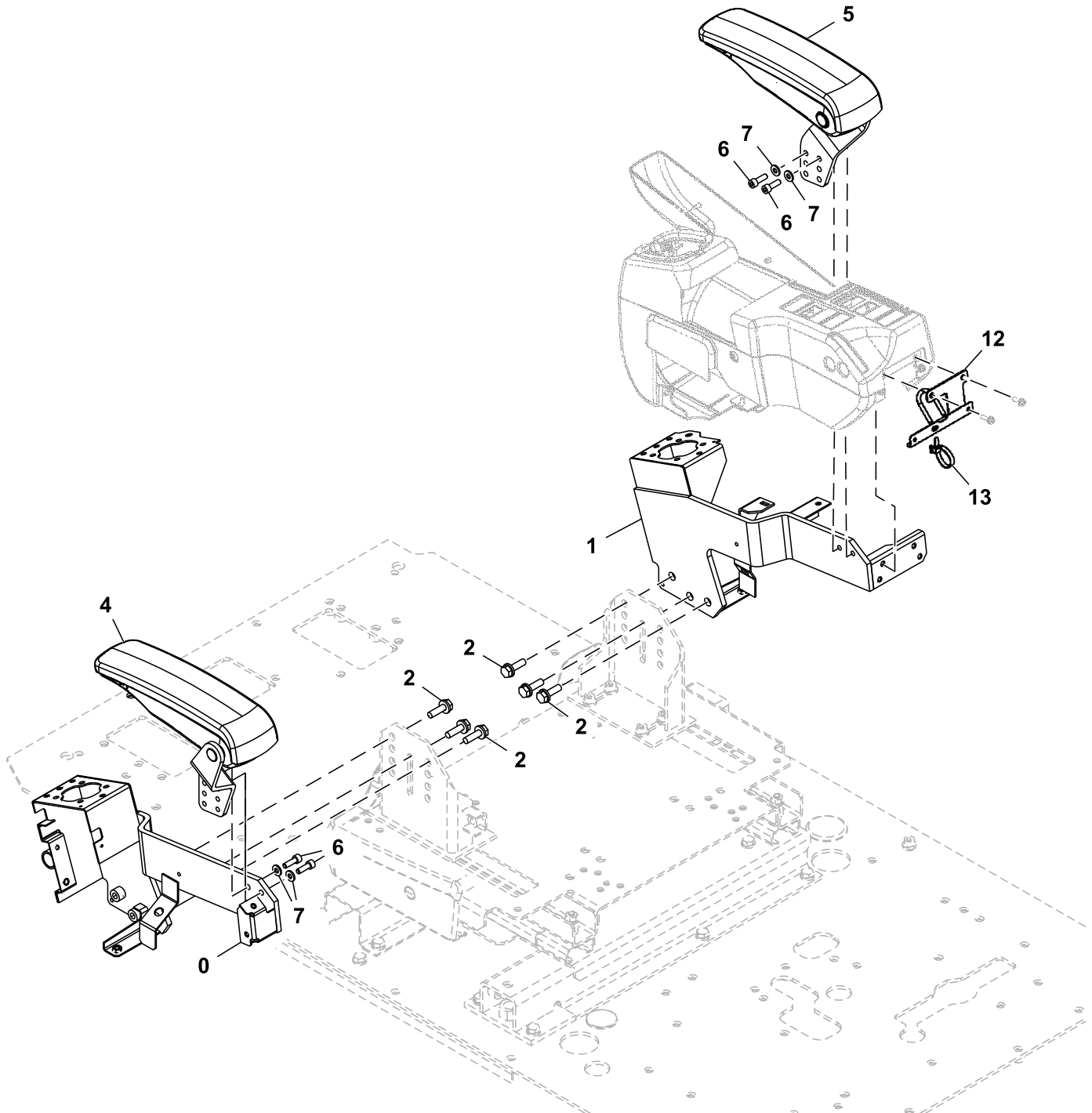


TX1161379

Key	Part No.	Part Name	Qty.	Serial No.	Remarks
0	FYA00030883	Cover	1		SUB FOR 2058766
1	FYA00030886	Cover	1		SUB FOR 2058767
2	FYA00030884	Cover	1		SUB FOR 2058768
3	Screw With Washer	7		J460616 NLA
	19M8425	Cap Screw	7		M6 X 16
	12M7006	Lock Washer	7		6 mm
	24M7293	Washer	7		6.500 X 13 X 1.600 mm
4	Screw With Washer	1		J260616 NLA
	19M7560	Cap Screw	1		M6 X 16, SUB FOR J900616
	24M7054	Washer	1		6.400 X 12 X 1.600 mm, SUB FOR A590106
5	T108221	Screw	2		SUB FOR J650614
7	FYA00030889	Cover	1		SUB FOR 2058769
8	FYA00030893	Cover	1		SUB FOR 2058770
9	FYA00030892	Cover	1		SUB FOR 2058771
10	FYA00030890	Cover	1		SUB FOR 2058772
11	Screw With Washer	11		J460616 NLA
	19M8425	Cap Screw	11		M6 X 16
	12M7006	Lock Washer	11		6 mm
	24M7293	Washer	11		6.500 X 13 X 1.600 mm
12	4651537	Clip	1		
13	T108221	Screw	1		SUB FOR J650614
14	4415024	Ashtray	1		
15	FYA00030888	Tray	1		SUB FOR 2058775
16	2058776	Case	1		
17	3121182	Cap	3		
18	FYA00030895	Cover	1		SUB FOR 2058774
19	Screw With Washer	2		J460616 NLA
	19M8425	Cap Screw	2		M6 X 16
	12M7006	Lock Washer	2		6 mm
	24M7293	Washer	2		6.500 X 13 X 1.600 mm
21	4653156	Clip	1		
24	4607546	Washer	2		
25	FYA00002134	Washer	1		

Cab Console and Armrest

TX1088635 C.1

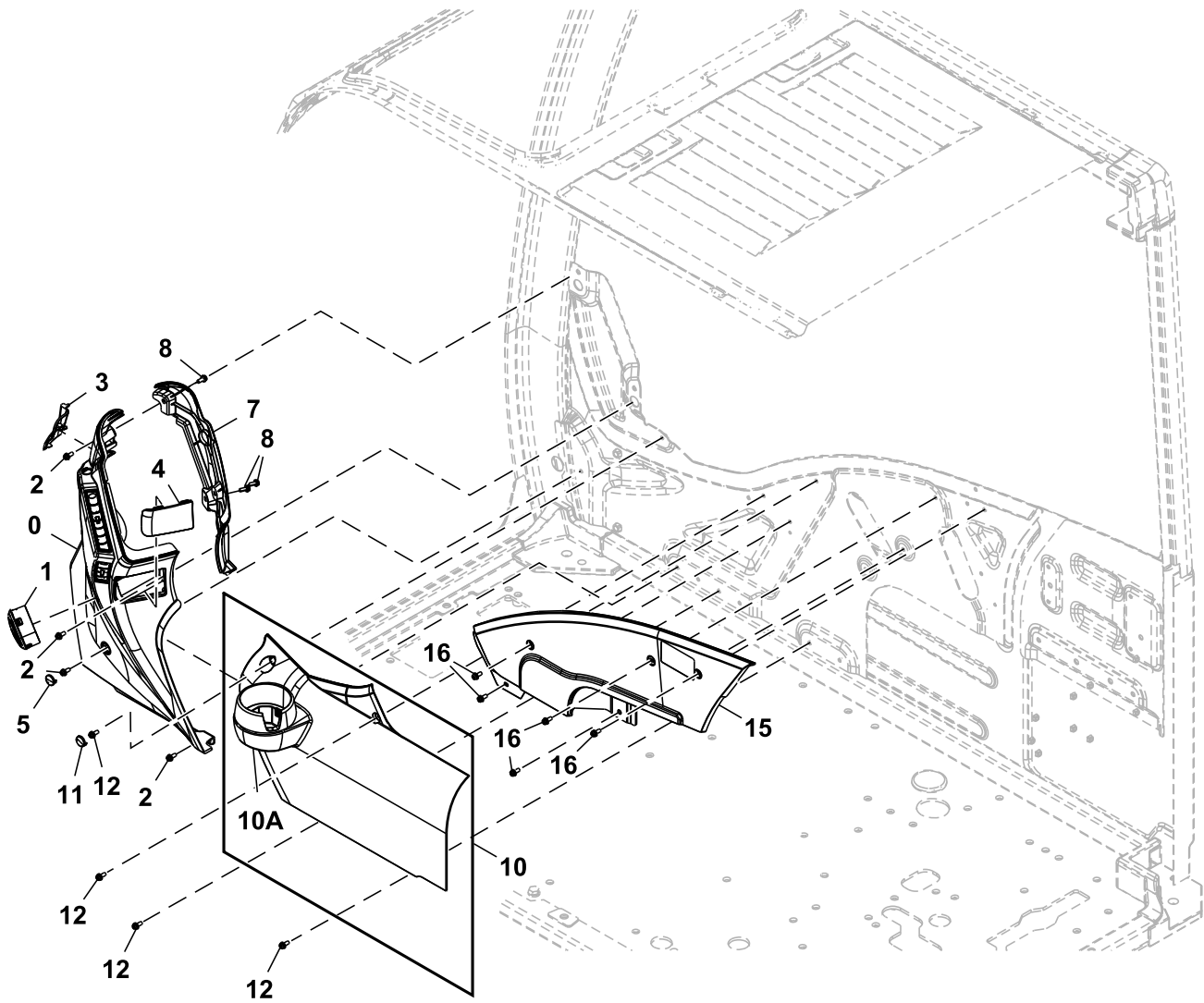


TX1088635

Key	Part No.	Part Name	Qty.	Serial No.	Remarks
0	6027660	Console	1		Left
1	6027661	Console	1		Right
2	Screw With Washer	6		J271035 NLA
	19M7550	Cap Screw	6		M10 X 35, SUB FOR J901035
	24M7346	Washer	6		11 X 20 X 2 mm, SUB FOR J222010
4	FYA00024756	Armrest	1		Left, SUB FOR 1036508
5	FYA00024757	Armrest	1		Right, SUB FOR 1036511
6	4713373	Bolt	4		
7	J222008	Washer	4		
12	FYA40029692	Bracket	1		
13	FYA00011574	Clip	1		

Cab Inside Right Cover

TX1139150 G.1

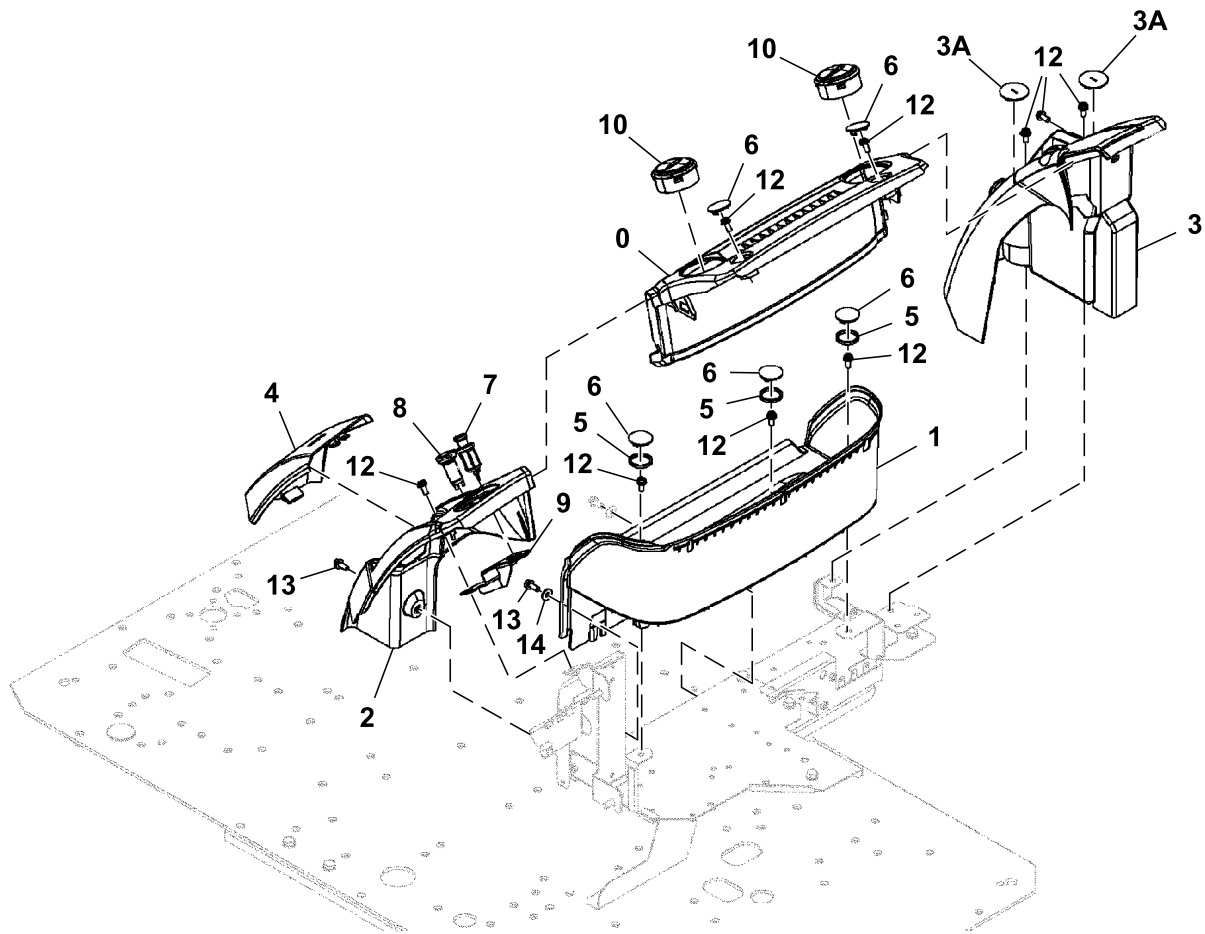


TX1139150

Key	Part No.	Part Name	Qty.	Serial No.	Remarks
0	7058384	Cover	1		SUB FOR 2058730 AND 6028003
1	FYA00003014	Louver	1		
2	Screw With Washer	4		J680616 NLA
	21M7577	Socket Head Screw	4		M6 X 16
	12M7006	Lock Washer	4		6 mm
	24M7054	Washer	4		6.400 X 12 X 1.600 mm
3	2058732	Cap	1		
4	2058733	Cap	1		
5	3118337	Cap	1		
7	2058731	Cover	1		
8	Screw With Washer	3		J680616 NLA
	21M7577	Socket Head Screw	3		M6 X 16
	12M7006	Lock Washer	3		6 mm
	24M7054	Washer	3		6.400 X 12 X 1.600 mm
10	7058385	Cover	1		
10A	2058735	Holder	1		Cup Holder
11	3118298	Cap	1		
12	Screw With Washer	4		J680616 NLA
	21M7577	Socket Head Screw	4		M6 X 16
	12M7006	Lock Washer	4		6 mm
	24M7054	Washer	4		6.400 X 12 X 1.600 mm
15	2058736	Cover	1		
16	Screw With Washer	5		J680616 NLA
	21M7577	Socket Head Screw	5		M6 X 16
	12M7006	Lock Washer	5		6 mm
	24M7054	Washer	5		6.400 X 12 X 1.600 mm

Rear Tray

TX1247255 B.1



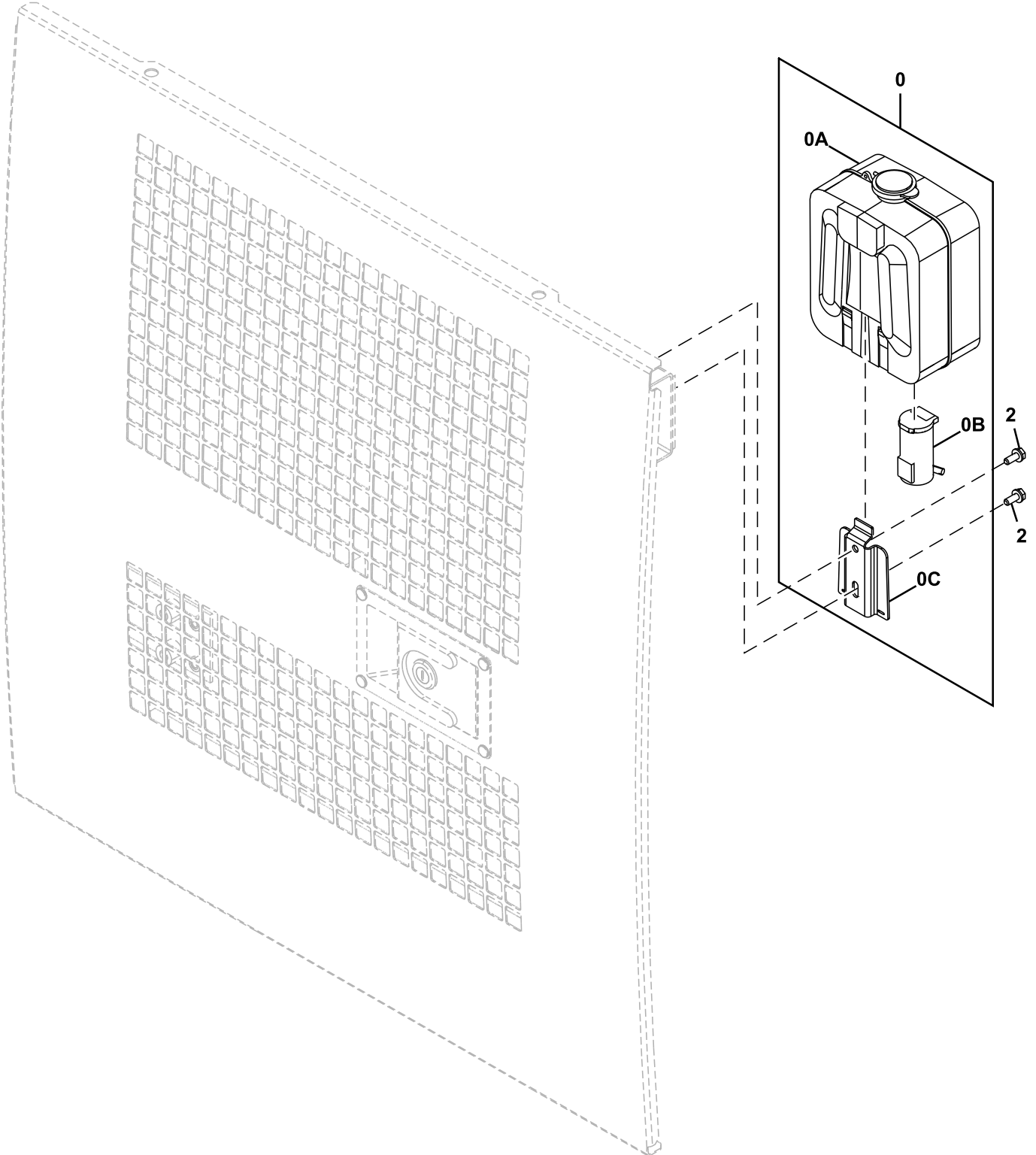
3 — 3A

TX1247255

Key	Part No.	Part Name	Qty.	Serial No.	Remarks
0	2058745	Cover	1		
1	2058746	Tray	1		
2	2058747	Cover	1		
3	7058390	Cover	1		
3A	3118329	Cap	2		
4	7058389	Cover	1		
5	4656300	Isolator	3		
6	3118328	Cap	5		
7	4653906	Mechanical Lighter	1		
8	4432965	Socket Outlet	1		
9	FYA40009363	Bracket	1		
10	FYA00003014	Louver	2		
12	Screw With Washer	9		J680820 NLA
	21M7572	Socket Head Screw	9		M8 X 20
	24M7036	Washer	9		9 X 16 X 1.600 mm
	12M7065	Lock Washer	9		8 mm
13	Screw With Washer	2		J260820 NLA
	19M7881	Screw	2		M8 X 20, SUB FOR J900820
	24M7055	Washer	2		8.400 X 16 X 1.600 mm, SUB FOR A590108
14	4343991	Washer	1		

Window Washer Reservoir

TX1117398 A.1

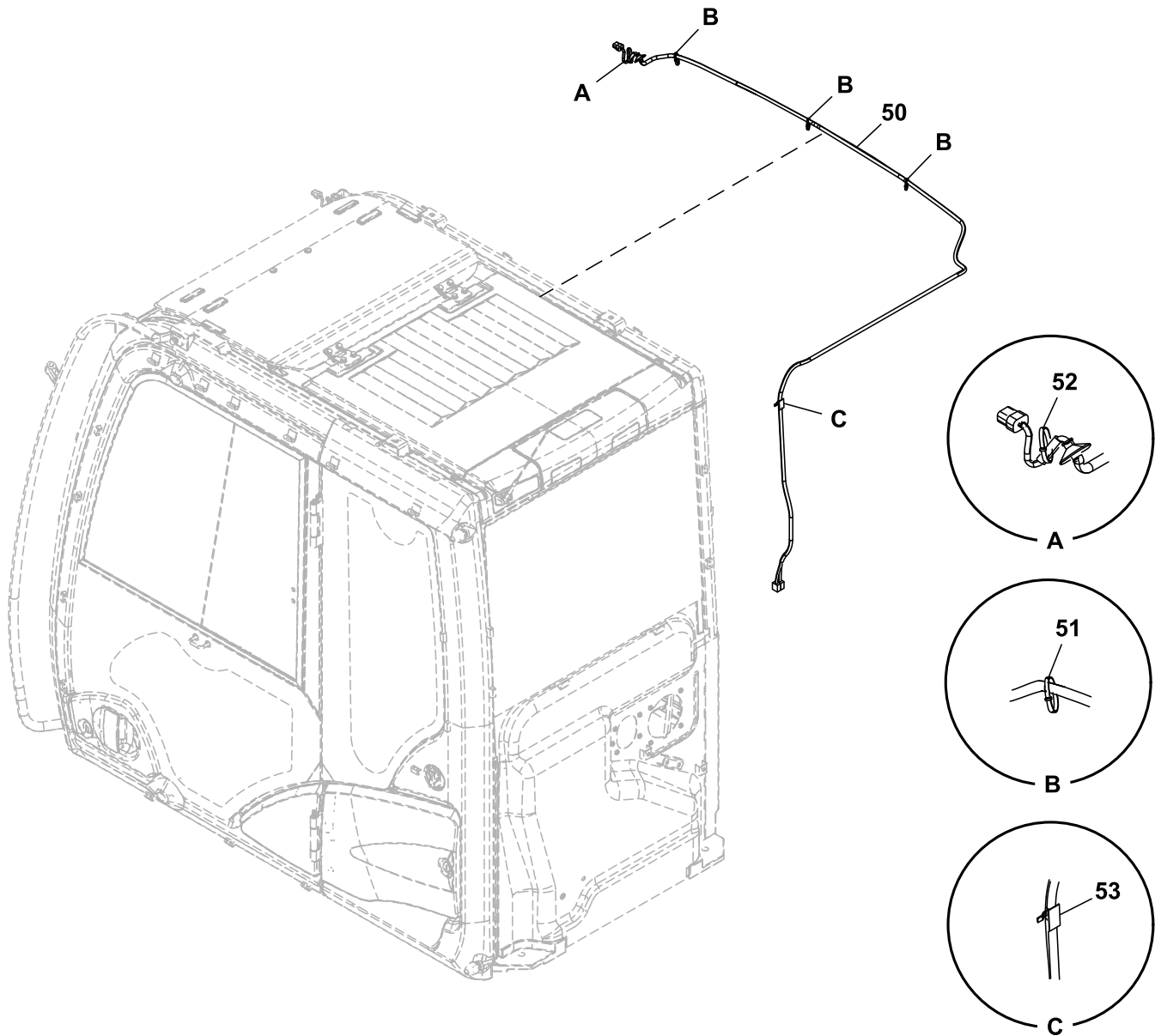


TX1117398

Key	Part No.	Part Name	Qty.	Serial No.	Remarks
0	4333185	Reservoir	1		Window Washer
0A	Reservoir	1		4369472 NLA
0B	4326095	Pump	1		24 V
0C	4338974	Bracket	1		
2	Screw With Washer	2		J260616 NLA
	19M7560	Cap Screw	2		M6 X 16, SUB FOR J900616
	A590106	Washer	2		

Roof Lights Wiring Harness

TX1085688 B.1

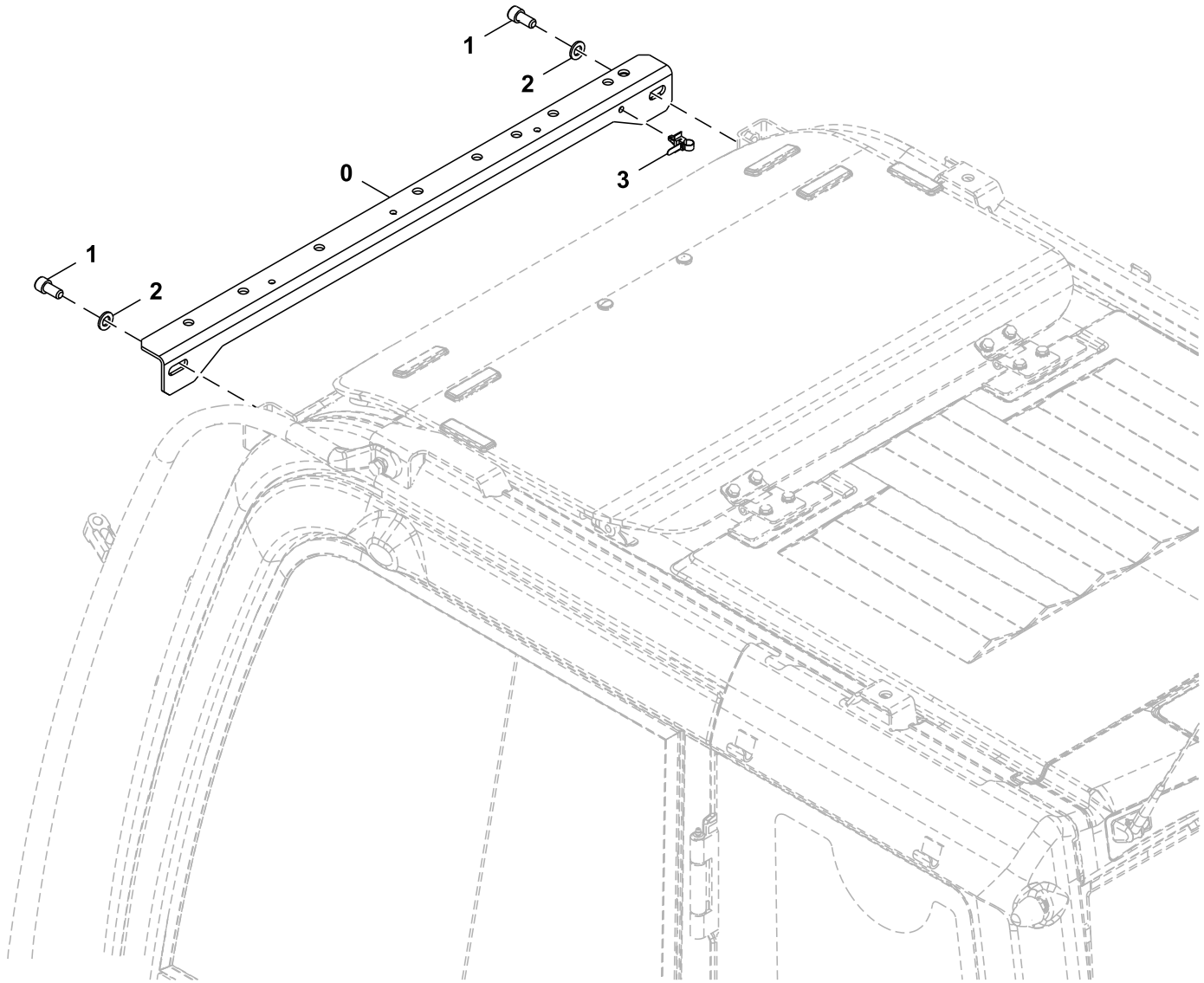


TX1085688

<i>Key</i>	<i>Part No.</i>	<i>Part Name</i>	<i>Qty.</i>	<i>Serial No.</i>	<i>Remarks</i>
50	4722649	Wiring Harness	1		Roof Lights, SUB FOR FXB00001002
51	H77698	Tie Band	3		SUB FOR 4055311
52	H77698	Tie Band	2		SUB FOR 4121859
53	4662758	Clip	1		

Rain Visor Support

TX1089814 B.1

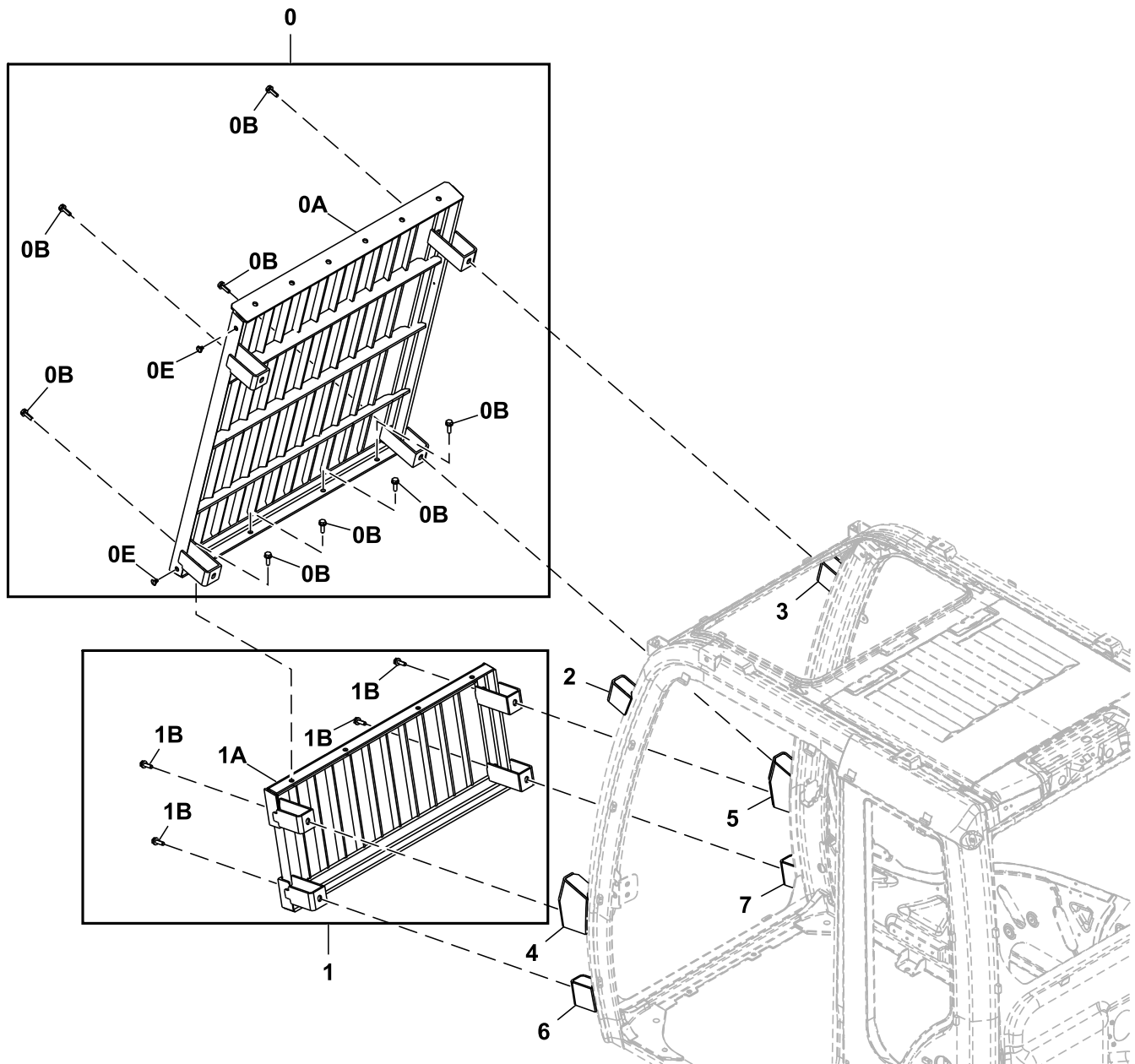


TX1089814

<i>Key</i>	<i>Part No.</i>	<i>Part Name</i>	<i>Qty.</i>	<i>Serial No.</i>	<i>Remarks</i>
0	7054613	Bracket	1		
1	J781225	Bolt	2		
2	24M7047	Washer	2		13 X 24 X 2.500 mm, SUB FOR A590112
3	4259220	Clip	1		

Operator Protection Guard (OPG) (- 340456)

TX1089820 E.1



10 — 0,2,3

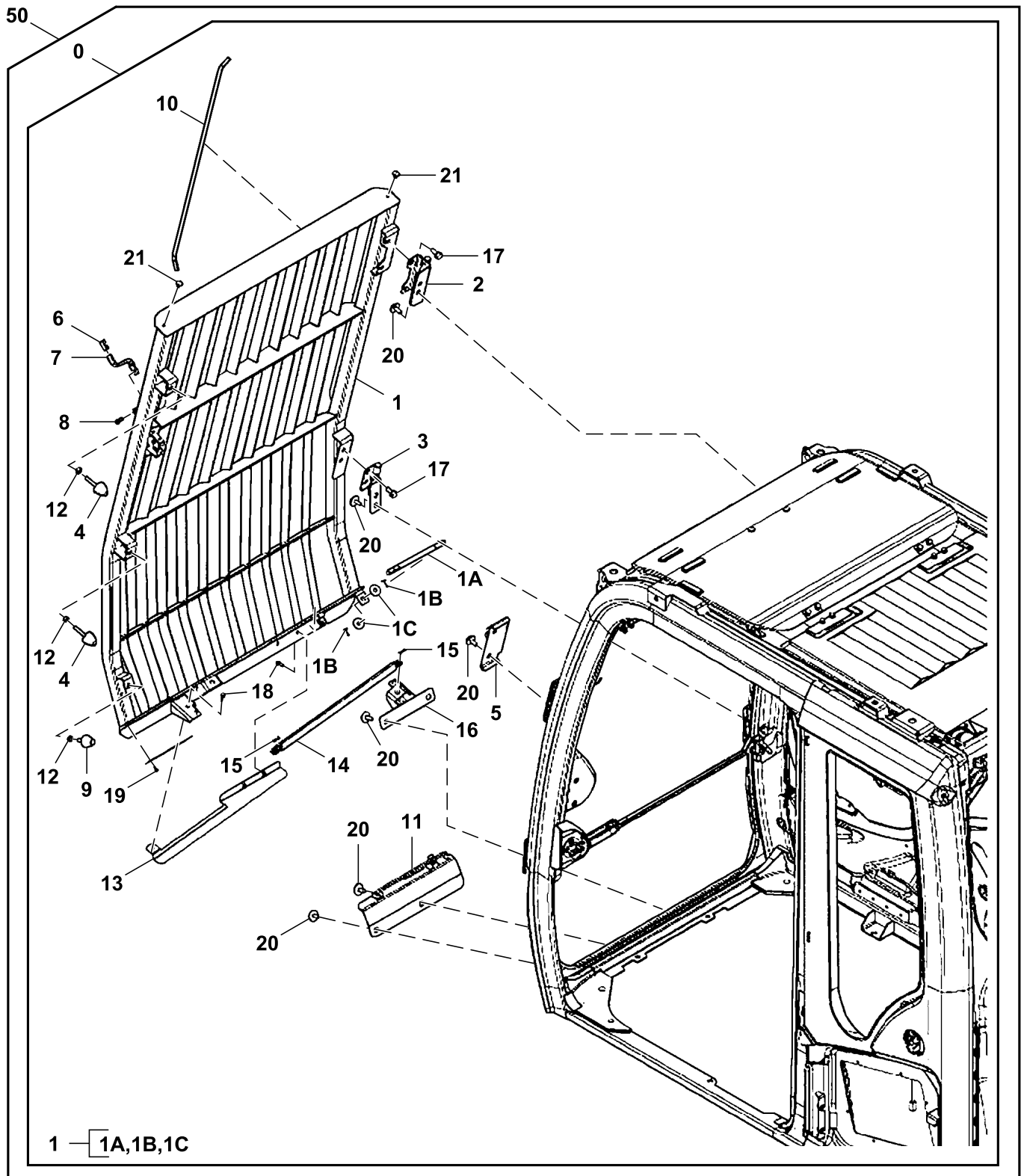
20 — 1,4,5,6,7

TX1089820

Key	Part No.	Part Name	Qty.	Serial No.	Remarks
0	FYA00009151	Guard	1		Upper Front Cab Guard
0A	Guard	1		NLA
0B	Screw With Washer	8		J271035 NLA
	19M7550	Cap Screw	8		M10 X 35, SUB FOR J901035
	24M7346	Washer	8		11 X 20 X 2 mm, SUB FOR J222010
0E	4662755	Clip	2		
1	FYA00009152	Guard	1		Lower Front Window Guard
1A	Guard	1		NLA
1B	Screw With Washer	4		J271035 NLA
	19M7550	Cap Screw	4		M10 X 35, SUB FOR J901035
	24M7346	Washer	4		11 X 20 X 2 mm, SUB FOR J222010
2	4666221	Bracket	1		
3	4666222	Bracket	1		
4	4666223	Bracket	1		
5	4666224	Bracket	1		
6	4666225	Bracket	1		
7	4666226	Bracket	1		
10	Field Installation Kit	1		AT390823 NLA, Furnish Components, Upper Front Cab Guard, Whole Goods
20	Field Installation Kit	1		AT390824 NLA, Furnish Components, Lower Front Window Guard, Whole Goods
47	T232157	Safety Sign	1		Not Illustrated, Caution, Clearance, English
	T232159	Safety Sign	1		Not Illustrated, Caution, Clearance, French
	T232158	Safety Sign	1		Not Illustrated, Caution, Clearance, Spanish
	T346392	Safety Sign	1		Not Illustrated, Caution, Clearance, Portuguese

Operator Protection Guard (OPG) (340457 -)

TX1263634 B.1

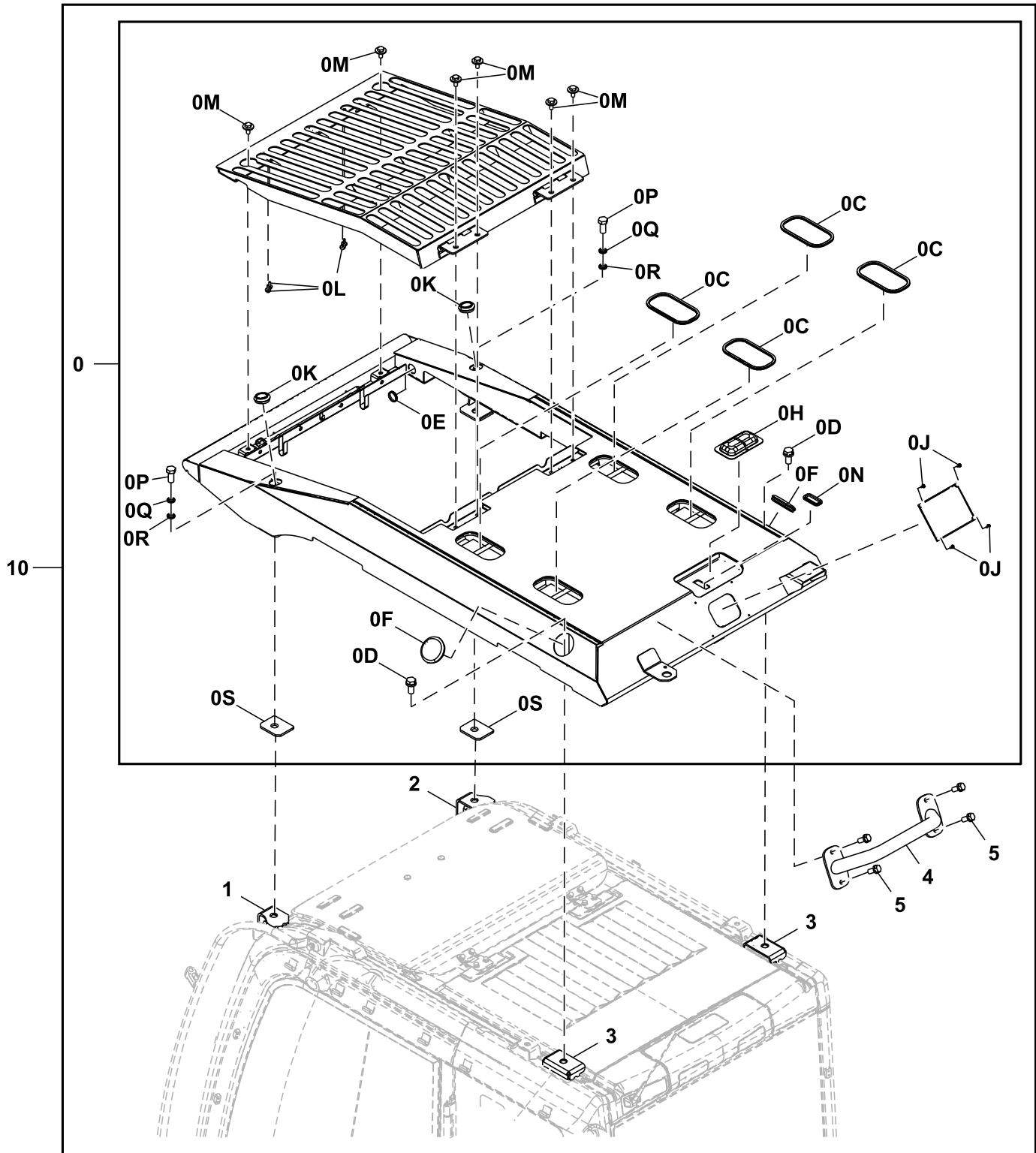


DCYA00039987A_TX1263634

Key	Part No.	Part Name	Qty.	Serial No.	Remarks
0	FYA00039987	Guard	1		
1	Guard	1		NSEP
1A	FYA00040041	Latch	1		
1B	11M7015	Cotter Pin	2		3.200 X 25 mm, SUB FOR A763025
1C	24M7101	Washer	2		11 X 34 X 3 mm, SUB FOR J217083
2	FYA00039988	Hinge	1		
3	FYA00039993	Hinge	1		
4	4474036	Stop	2		
5	FYA00040003	Bracket	1		
6	4666380	Cover	1		
7	FYA00040010	Lever	1		
8	Screw With Washer	2		J460620 NLA
	12M7006	Lock Washer	2		6 mm
	21M7267	Screw	2		M6 X 20
	24M7293	Washer	2		6.500 X 13 X 1.600 mm
9	4607054	Stop	1		
10	FXB00011064	Cushion	1		
11	FYA00040032	Bracket	1		
12	14M7274	Nut	3		M10, SUB FOR J950010
13	FYA00040039	Cover	1		
14	FXB00011065	Gas Operated Cylinder	1		
15	4603981	Pin	2		SUB FOR 4022697
16	FYA00040040	Bracket	1		
17	Screw With Washer	4		J271025 NLA
	19M7402	Cap Screw	4		M10 X 25, SUB FOR J901025
	24M7346	Washer	4		11 X 20 X 2 mm, SUB FOR J222010
18	Screw With Washer	3		J260620 NLA
	19M7077	Cap Screw	3		M6 X 20, SUB FOR J900620
	24M7054	Washer	3		6.400 X 12 X 1.600 mm, SUB FOR A590106
19	4456428	Screw	2		
20	Screw With Washer	8		J281025 NLA
	19M7402	Cap Screw	8		M10 X 25, SUB FOR J901025
	4486055	Washer	8		
21	4662755	Clip	2		
50	BYT11141	Field Installation Kit	1		Whole Goods

Falling Object Protection Structure (FOPS) Kit

TX1089819 E.1

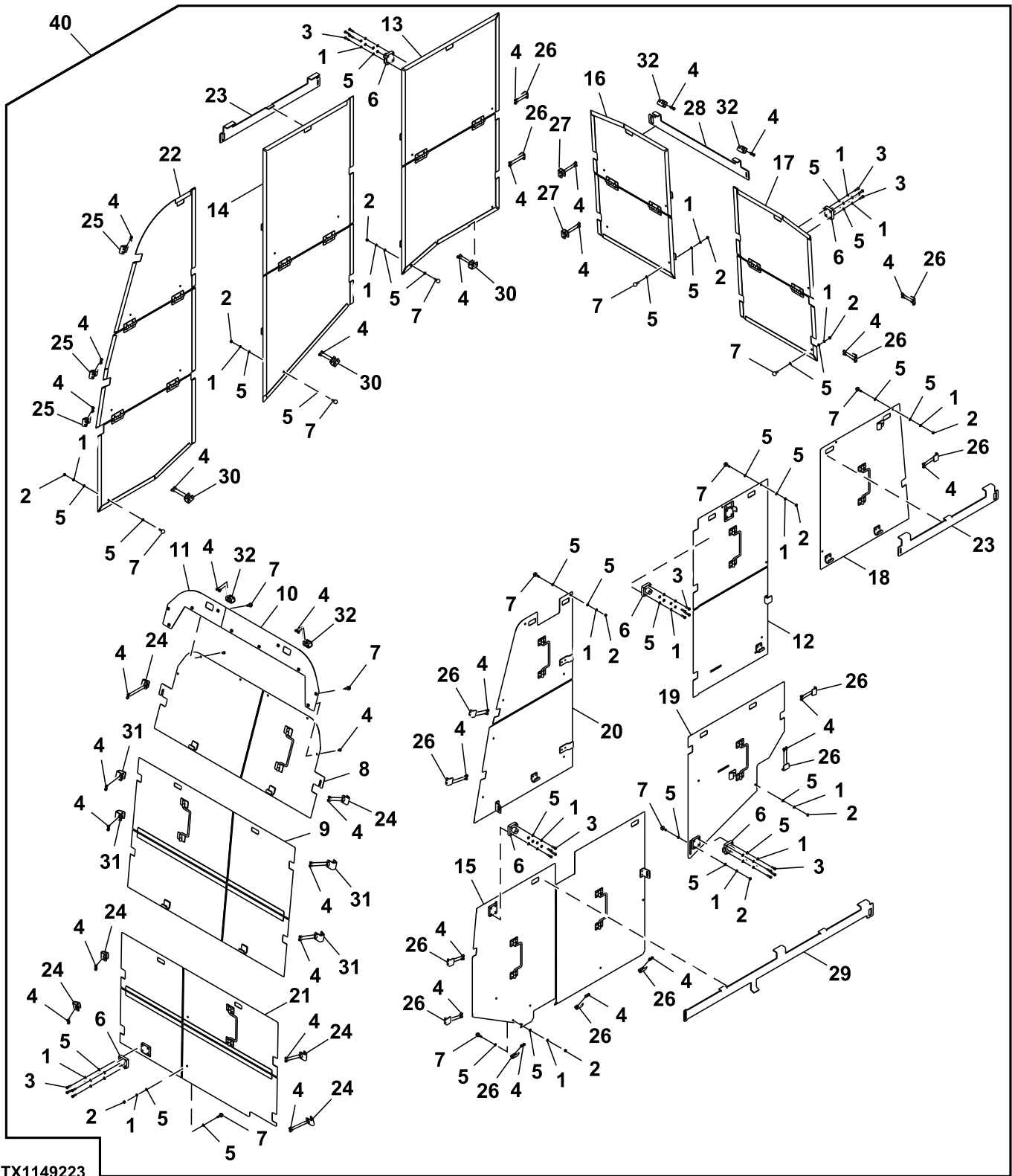


TX1089819

Key	Part No.	Part Name	Qty.	Serial No.	Remarks
0	FYA00039723	Guard	1		SUB FOR FYA00008615
0C	4466834	Isolator	4		Top
0D	4456179	Bolt	2		
0E	4466815	Bushing	1		
0F	4666063	Bushing	2		
0H	4662370	Cover	1		
0J	4456428	Screw	4		
0K	4476843	Bushing	2		
0L	4204580	Bumper	4		
0M	Screw With Washer	6		J281025 NLA
	19M7402	Cap Screw	6		M10 X 25, SUB FOR J901025
	4486055	Washer	6		
0N	4666057	Bushing	1		
0P	19M7409	Cap Screw	2		M16 X 50, SUB FOR J901650
0Q	12H294	Lock Washer	2		5/8", SUB FOR A590916
0R	24M7053	Washer	2		17 X 30 X 3 mm, SUB FOR A590116
0S	FYA00039938	Plate	2		
1	FYA00009154	Bracket	1		
2	FYA00009153	Bracket	1		
3	4655548	Bracket	2		
4	FYA00039727	Bracket	1		
5	Screw With Washer	4		J271030 NLA
	19M7662	Cap Screw	4		M10 X 30, SUB FOR J901030
	24M7346	Washer	4		11 X 20 X 2 mm, SUB FOR J222010
6	T232157	Safety Sign	1		Caution, Clearance, English, Not Illustrated
7	T232158	Safety Sign	1		Caution, Clearance, Spanish, Not Illustrated
8	T346392	Safety Sign	1		Caution, Clearance, Portuguese, Not Illustrated
10	AT390802	Field Installation Kit	1		Whole Goods, FOPS

Cab Vandal Protection Kit (- 340456)

TX1149223 B.1

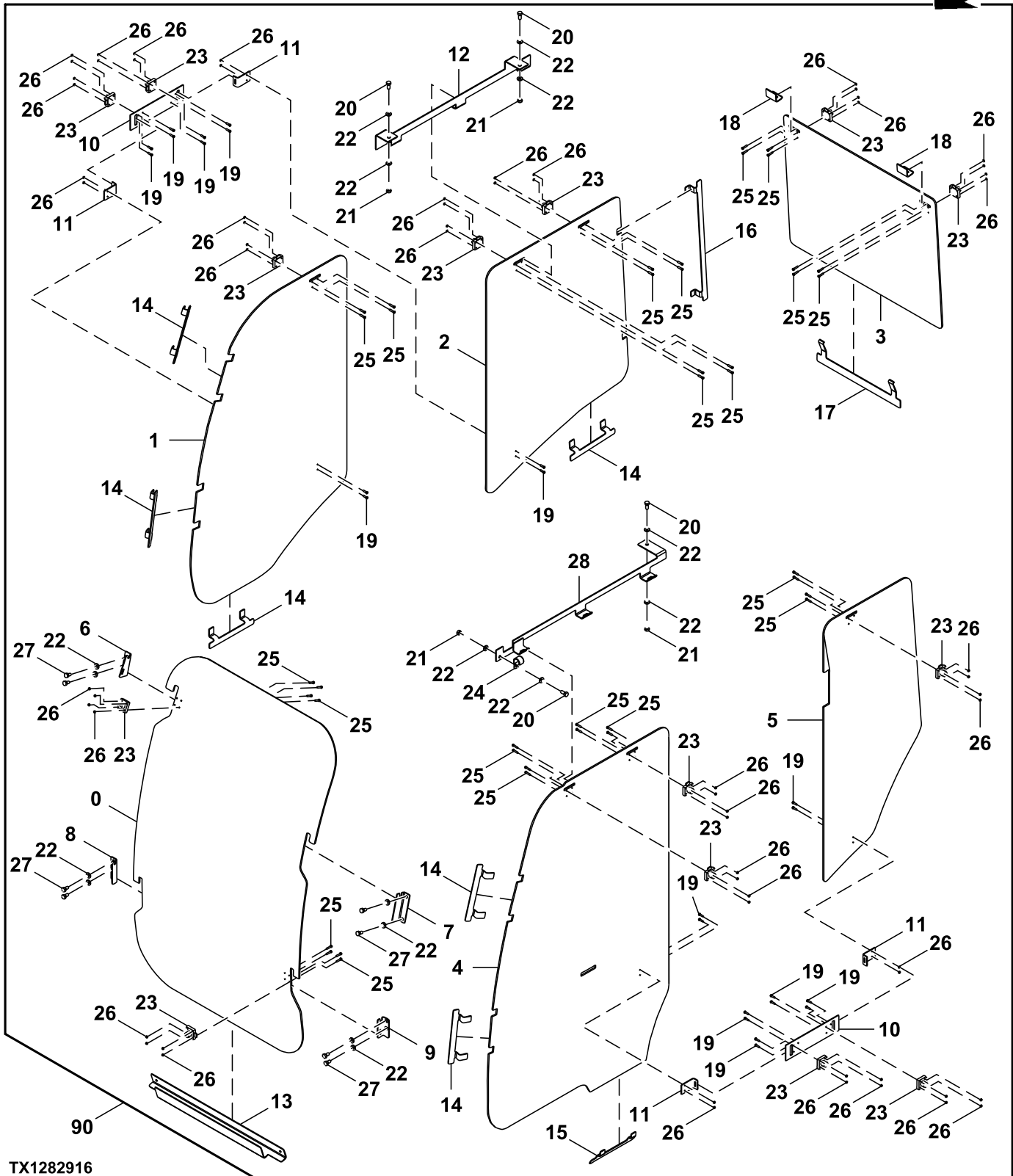


TX1149223

Key	Part No.	Part Name	Qty.	Serial No.	Remarks
1	12M7064	Lock Washer	67		5 mm
2	14M7297	Nut	43		M5
3	21M7647	Socket Head Screw	24		M5 X 20
4	21M7648	Socket Head Screw	78		M5 X 10
5	24M7027	Washer	111		5.300 X 10 X 1 mm
6	4361601	Lock	6		
7	9738682	Bumper	47		
8	AT329618	Cover	1		Front Upper Center
9	AT329619	Cover	1		Front Center
10	AT329638	Cover	1		Front Upper Left
11	AT329639	Cover	1		Front Upper Right
12	AT405089	Cover	1		Left Side Middle Upper
13	AT405091	Cover	1		Right Side Rear
14	AT405092	Cover	1		Right Side Center
15	AT405093	Cover	1		Left Side Forward Lower
16	AT405094	Cover	1		Rear Right Side
17	AT405095	Cover	1		Rear Left Side
18	AT405097	Cover	1		Left Side Rear Upper
19	AT405098	Cover	1		Left Side Center Lower
20	AT405099	Cover	1		Left Side Forward Upper
21	AT405100	Cover	1		Front Lower
22	AT405101	Cover	1		Right Side Forward
23	T223713	Plate	2		
24	T225936	Bracket	6		
25	T225938	Angle	3		
26	T225939	Angle	14		
27	T228058	Bracket	2		
28	T300469	Bracket	1		
29	T315831	Plate	1		
30	T322546	Bracket	3		
31	T322772	Bracket	4		
32	T322773	Bracket	4		
40	Field Installation Kit	1		Whole Goods, AT390721 NLA

Cab Vandal Protection (340457 -)

TX1282916 A.1

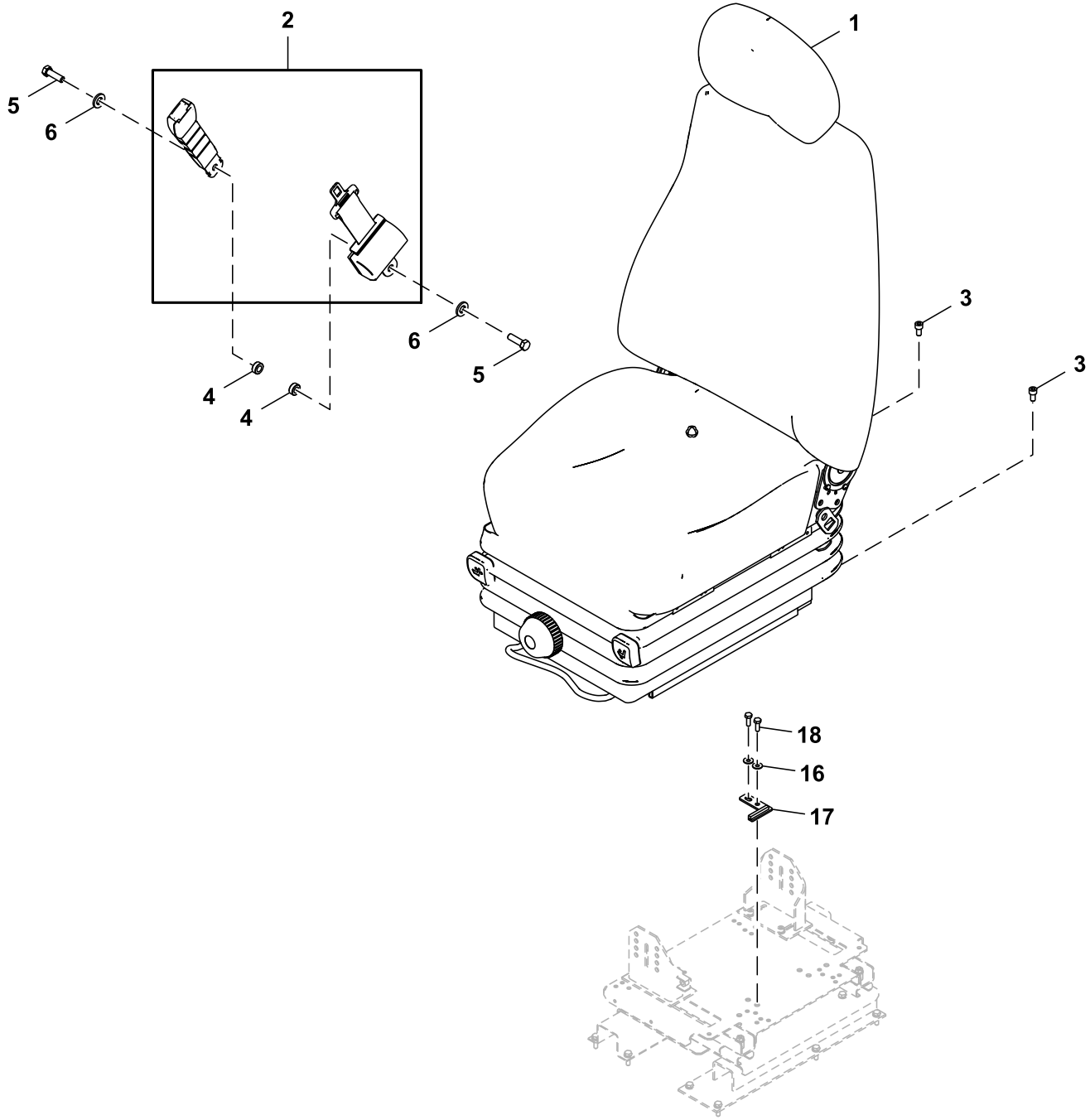


TX1282916

Key	Part No.	Part Name	Qty.	Serial No.	Remarks
0	FF551448	Cover	1		
1	FF551449	Cover	1		
2	FF551450	Cover	1		
3	FF551451	Cover	1		
4	FF551452	Cover	1		
5	FF551453	Cover	1		
6	FF551459	Bracket	1		
7	FF551460	Bracket	1		
8	FF551461	Bracket	1		
9	FF551462	Bracket	1		
10	FF551463	Bracket	2		
11	FF551464	Bracket	4		
12	FF551465	Bracket	1		
13	FF551469	Bracket	1		
14	FF551604	Bracket	6		
15	FF551605	Bracket	1		
16	FF551606	Bracket	1		
17	FF551607	Bracket	1		
18	FF551608	Bracket	2		
19	Screw With Washer	24		J450520 NLA
	21M7022	Screw	24		M5 X 20
	12M7064	Lock Washer	24		5 mm
20	19M7402	Cap Screw	4		M10 X 25, SUB FOR J901025
21	14M7274	Nut	4		M10, SUB FOR J950010
22	24M7346	Washer	16		11 X 20 X 2 mm, SUB FOR DH400703
23	4361601	Lock	14		
24	4192035	Clip	1		
25	J450525	Screw With Washer	40		
26	14M7297	Nut	64		M5, SUB FOR J950005
27	19M7938	Cap Screw	8		M10 X 20, SUB FOR J901020
28	FF552621	Bracket	1		
90	BYT11005	Field Installation Kit	1		Whole Goods

Mechanical Suspension Seat (- 340456)

9313981_TX1086922 C.1

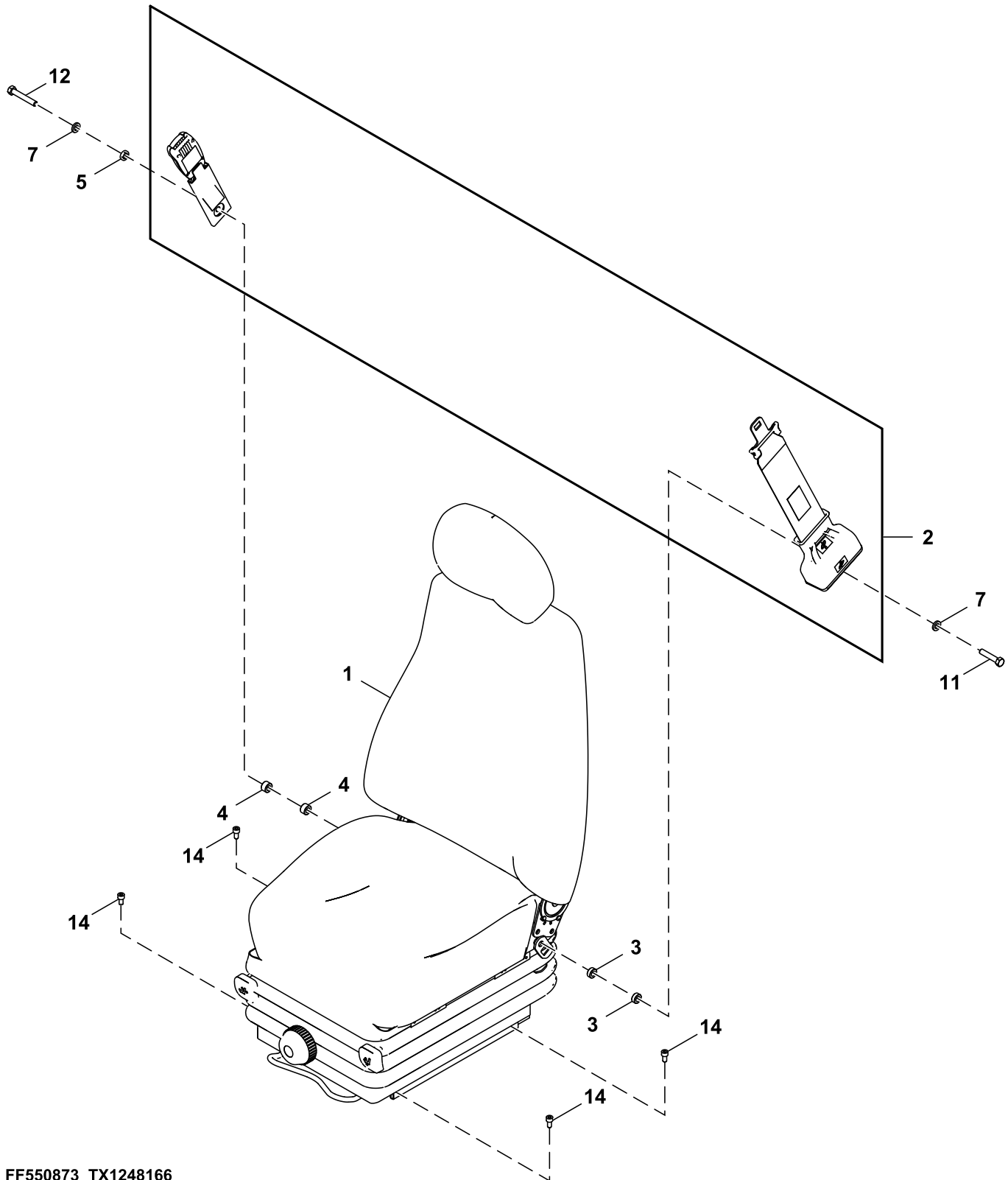


9313981_TX1086922

<i>Key</i>	<i>Part No.</i>	<i>Part Name</i>	<i>Qty.</i>	<i>Serial No.</i>	<i>Remarks</i>
1	4710420	Seat	1		Mechanical, Components On Separate Page
2	FYA00011606	Seat Belt	1		SUB FOR 4706823
3	19M7647	Screw	4		M8 X 16, SUB FOR M340816
4	4372200	Spacer	2		
5	4714449	Bolt	2		
6	24M7345	Washer	2		13.500 X 24 X 2.500 mm, SUB FOR J222012
16	24H1219	Washer	2		7/16" X 1" X 0.083", SUB FOR FF206971
17	FF214174	Bracket	1		
18	19M7662	Cap Screw	2		M10 X 30, SUB FOR J901030

Mechanical Suspension Seat (340457 -)

TX1248166 A.1

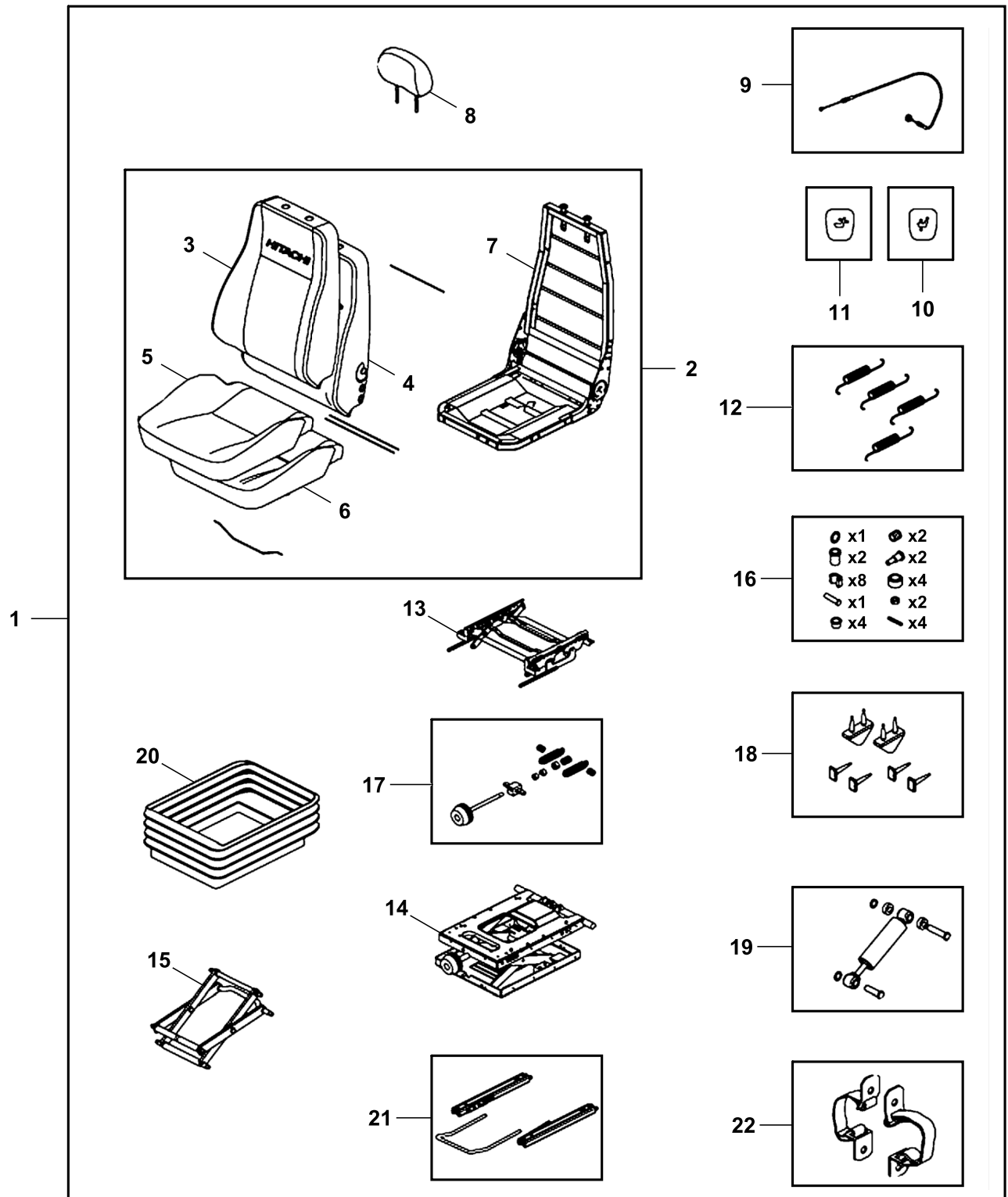


FF550873_TX1248166

Key	Part No.	Part Name	Qty.	Serial No.	Remarks
1	4710420	Seat	1		Mechanical, Components On Separate Page
2	FYA00045982	Seat Belt	1		
3	4372200	Spacer	2		
4	4453874	Spacer	2		7/16", SUB FOR J219167
5	4382554	Washer	1		
7	12H293	Lock Washer	2		
11	4333835	Bolt	1		M8 X 16, SUB FOR M340816
12	4380534	Cap Screw	1		
14	19M7647	Screw	4		

Mechanical Suspension Seat Components

TX1215644 A.1



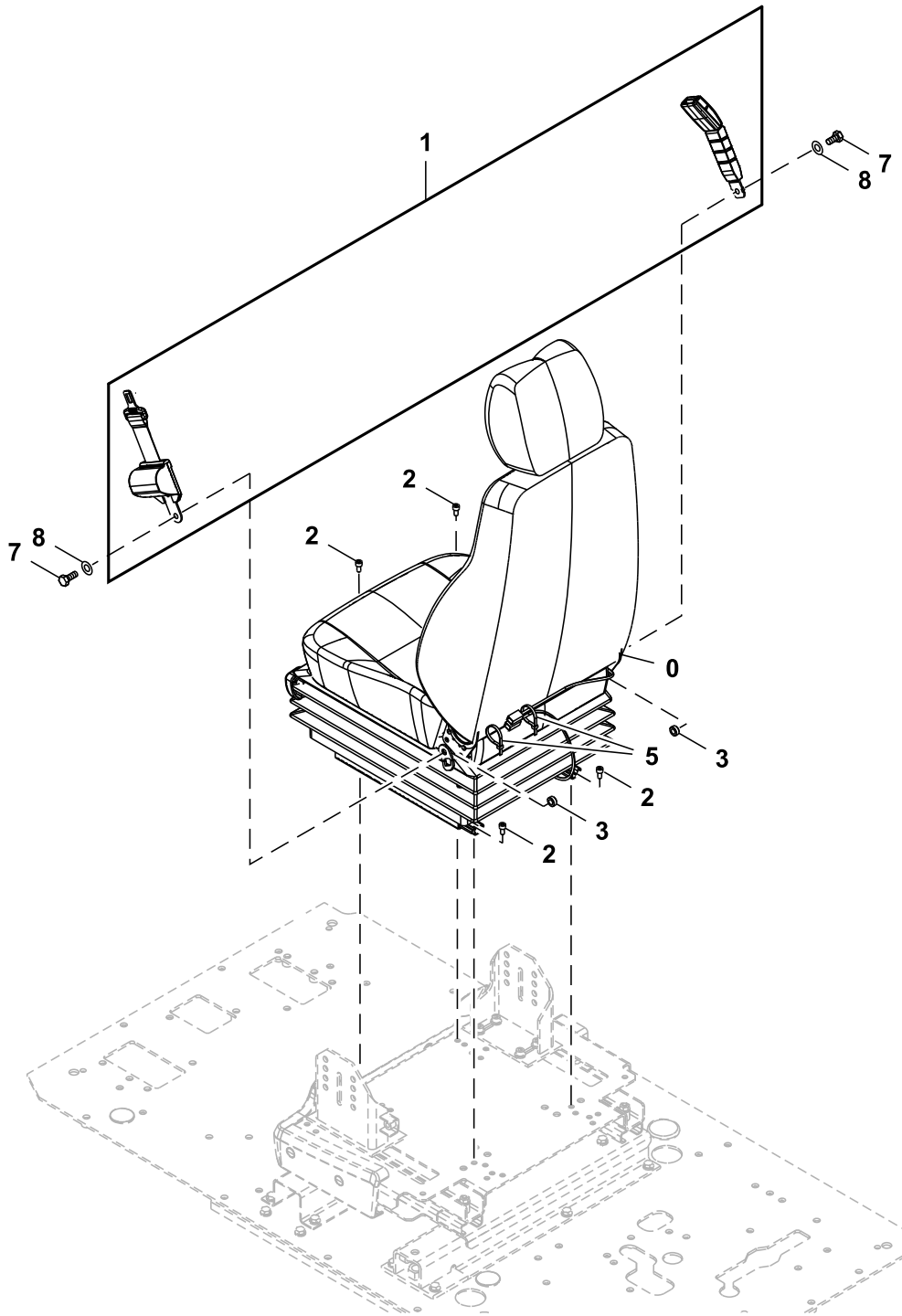
TX1215644

16 — 17,18,19,20,21,22

Key	Part No.	Part Name	Qty.	Serial No.	Remarks
1	4710420	Seat Assembly	1		Mechanical
2	Seat	1		FYA00008924 NSEP
3	FYA00008925	Seat Back	1		Back Cover
4	4660717R	Pad	1		SUB FOR 4660717
5	FYA00008915	Seat	1		Seat Cover
6	4392798R	Pad	1		SUB FOR 4392798 AND AT195279
7	4660720R	Frame	1		SUB FOR 4660720
8	FYA00008916	Head Restraint	1		Headrest
9	AT417627	Seat Adjustment Cable Kit	1		Adjuster Cable, SUB FOR FYA00008917
10	4610640	Handle	1		Seat Recline and Incline
11	4610641	Handle	1		Seat Raise and Lower
12	AT417629	Spring Kit	1		Height Riser Spring, SUB FOR FYA00008927
13	4392801R	Stand	1		Height Riser Kit, SUB FOR 4392801
14	AT417632	Seat Suspension	1		Bearing Kit, SUB FOR FYA00008928
15	4392813R	Link	1		SUB FOR 4392813
16	AT417634	Bearing Kit	1		Bearing Kit, SUB FOR 4392812
17	4392804R	Adjuster	1		SUB FOR 4392804
18	AT417635	Bumper	1		Bumperspot Kit, SUB FOR 4392805 AND AT322189
19	AT417633	Torsional Damper	1		SUB FOR FYA00008929
20	AT417640	Seat Suspension Boot Kit	1		Suspension Cover, SUB FOR FYA00008930
21	AT417643	Adjuster Kit	1		SUB FOR FYA00008931
22	AT417636	Belt Kit	1		Includes Hardware, Tether Belt, SUB FOR FYA00008932

Air Suspension Seat, Heated (- 340456)

TX1185580 A.1

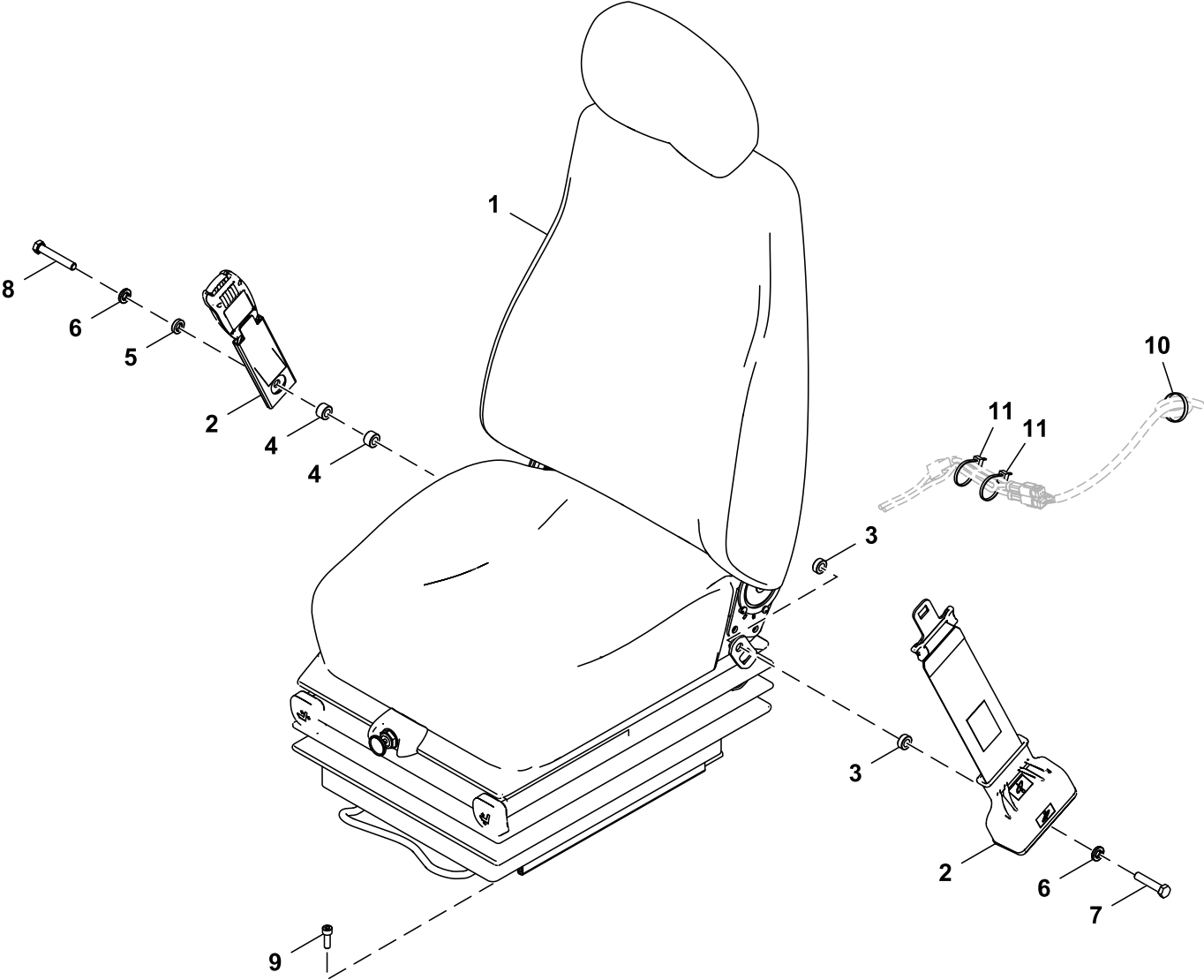


TX1185580

<i>Key</i>	<i>Part No.</i>	<i>Part Name</i>	<i>Qty.</i>	<i>Serial No.</i>	<i>Remarks</i>
0	FYA00002392	Seat	1		Air Suspension, Heated, Components On Separate Page
1	FYA00011606	Seat Belt	1		
2	19M7647	Screw	4		M8 X 16, SUB FOR M340816
3	4372200	Spacer	2		
5	H77698	Tie Band	2		SUB FOR 4055312
7	4714449	Bolt	2		
8	24M7345	Washer	2		13.500 X 24 X 2.500 mm, SUB FOR J222012

Air Suspension Seat, Heated (340457 -)

TX1267165 A.1

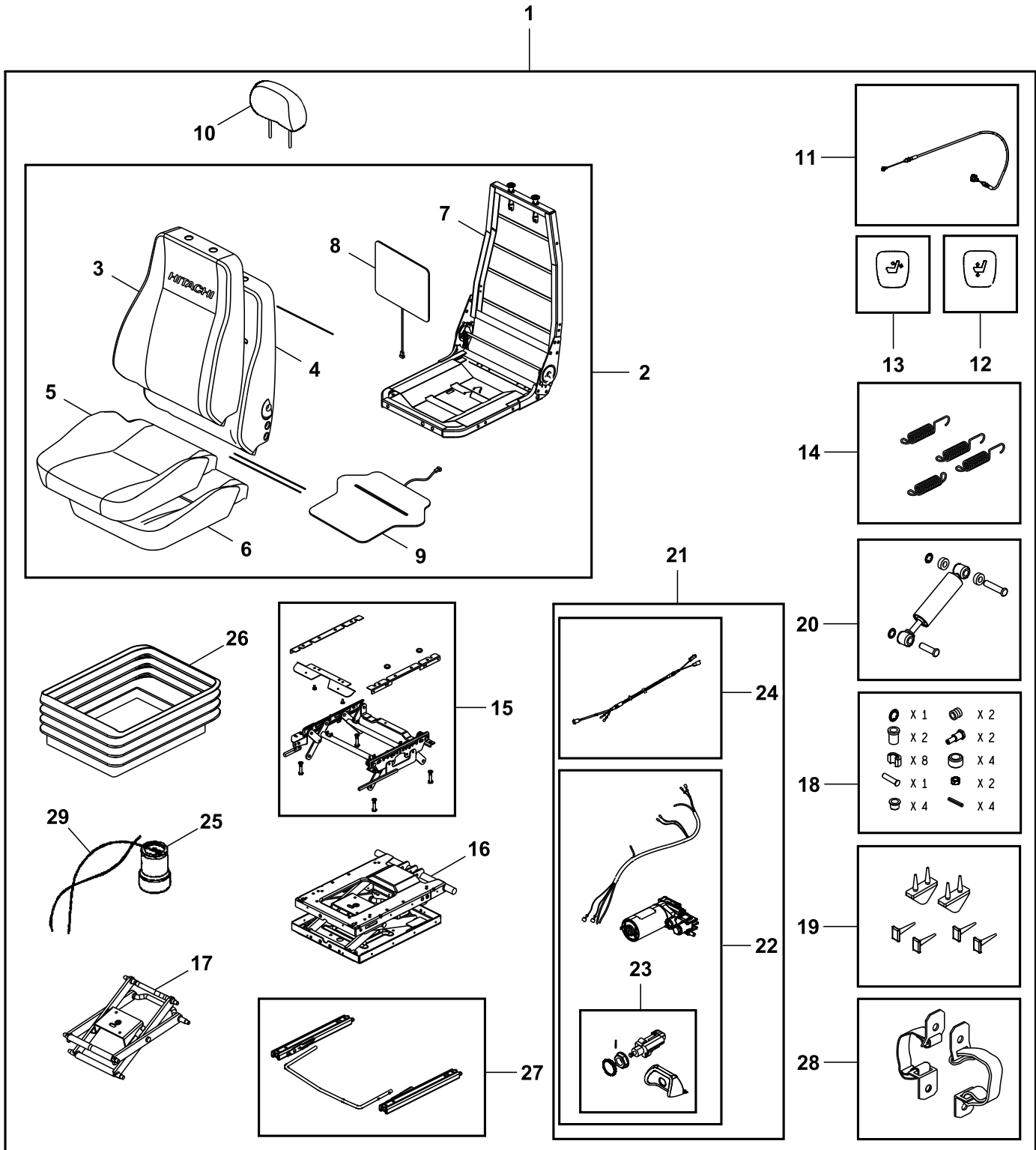


FF550968_TX1267165

Key	Part No.	Part Name	Qty.	Serial No.	Remarks
1	FYA00002392	Seat Suspension	1		Air Suspension, Heated, Components On Separate Page
2	FYA00045982	Seat Belt	1		
3	4372200	Spacer	2		
4	4453874	Spacer	2		7/16", SUB FOR J219167
5	4382554	Washer	1		
6	12H293	Lock Washer	2		
7	4333835	Bolt	1		M8 X 25, SUB FOR M340825
8	4380534	Cap Screw	1		
9	19M8439	Screw	4		
10	DH400240	Tie Band	1		SUB FOR 4055311
11	H77698	Tie Band	2		

Air Suspension Heated Seat Components

TX1145216 C.1

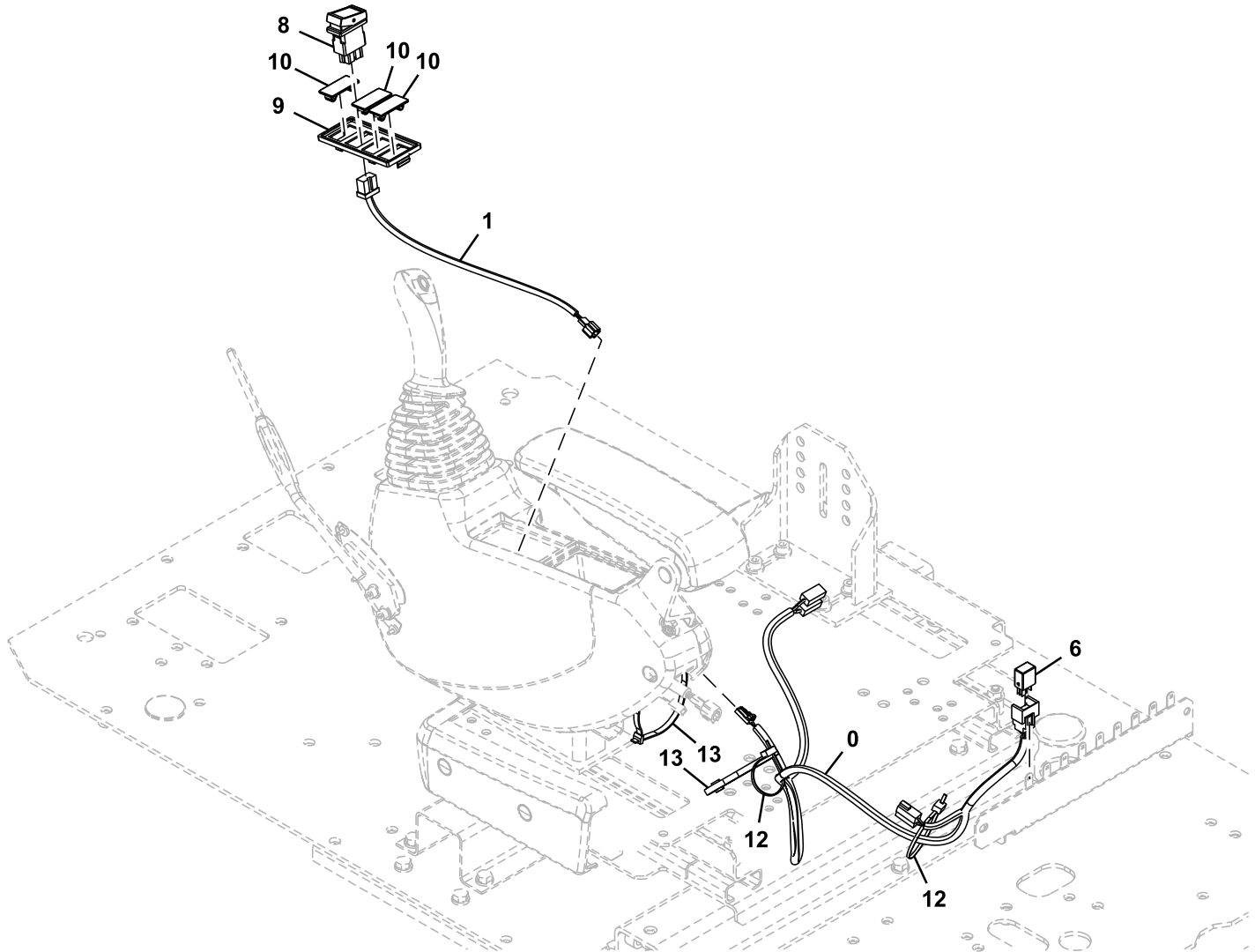


TX1145216

Key	Part No.	Part Name	Qty.	Serial No.	Remarks
1	FYA00002392	Seat Suspension	1		
2	FYA00008933	Seat Kit	1		
3	FYA00008925	Seat Back	1		Cover
4	4660717R	Pad	1		Seat Back Foam, SUB FOR 4660717
5	FYA00008915	Seat	1		Cover
6	4392798R	Pad	1		Bottom Seat Foam, SUB FOR 4392798
7	4660720R	Frame	1		SUB FOR 4660720
8	AT329366	Heater	1		SUB FOR 4666087
9	4666056	Cable	1		
10	FYA00008916	Head Restraint	1		Headrest
11	AT417627	Seat Adjustment Cable Kit	1		Adjuster Cable, SUB FOR FYA00008917
12	4610640	Handle	1		Seat Recline/Incline
13	4610641	Handle	1		Seat Raise/Lower
14	AT417629	Spring Kit	1		Height Riser Spring, SUB FOR FYA00008927
15	4392801R	Stand	1		Height Riser Kit, SUB FOR 4392801
16	AT417632	Seat Suspension	1		Bearing Kit, SUB FOR FYA00008934
17	AT417642	Lever Kit	1		Center Pivot Kit, SUB FOR 4666052
18	4392812R	Bushing	1		Bearing Kit, SUB FOR 4392812
19	4392805R	Stop	1		Bumperspot Kit, SUB FOR 4392805
20	AT417633	Torsional Damper	1		SUB FOR FYA00008929
21	FYA00008935	Compressor	1		
22	AT417638	Compressor Kit	1		ALSO ORDER AT417639, SUB FOR FYA00008936
	AT417639	Compressor Valve Kit	1		
23	4660732R	Valve	1		Compressor, SUB FOR 4660732
24	4666059	Cable	1		
25	AT329373	Air Spring Seat Kit	1		Air Spring Seat Kit, SUB FOR 4666054 AND AT417641
26	AT417640	Seat Suspension Boot Kit	1		Suspension Cover, SUB FOR FYA00008937
27	AT417643	Adjuster Kit	1		Fore Aft Adjustment Kit, SUB FOR FYA00008931
28	AT417636	Belt Kit	1		Includes Hardware, Tether Belt, SUB FOR FYA00008932
29	AT329370	Pipe Kit	1		Air Hose

Air Suspension Seat Heater Switch and Wiring Harness (- XXXXXX)

TX1089832 A.1

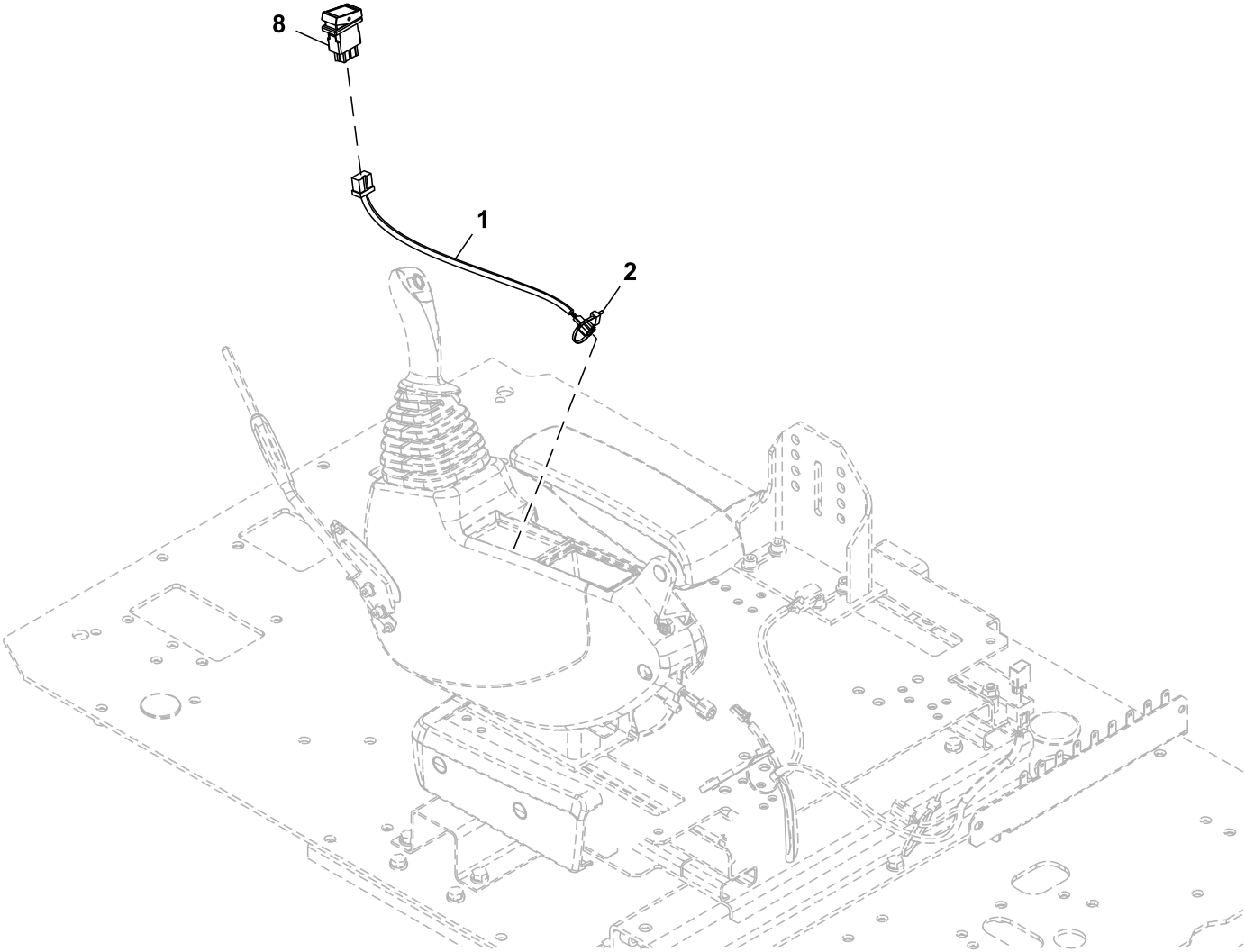


TX1089832

<i>Key</i>	<i>Part No.</i>	<i>Part Name</i>	<i>Qty.</i>	<i>Serial No.</i>	<i>Remarks</i>
0	3110326	Wiring Harness	1		Seat Heater (Air Suspension)
1	4651877	Wiring Harness	1		Seat Heater Switch (Air Suspension)
6	4436534	Relay	1		Seat Heater Switch (Air Suspension)
8	4651292	Switch	1		Seat Heater (Air Suspension)
9	2058776	Case	1		
10	3121182	Cap	3		
12	H77698	Tie Band	2		SUB FOR 4055312
13	H77698	Tie Band	2		SUB FOR 4121859

Air Suspension Seat Heater Switch and Wiring Harness (XXXXXX -)

TX1199100 A.1

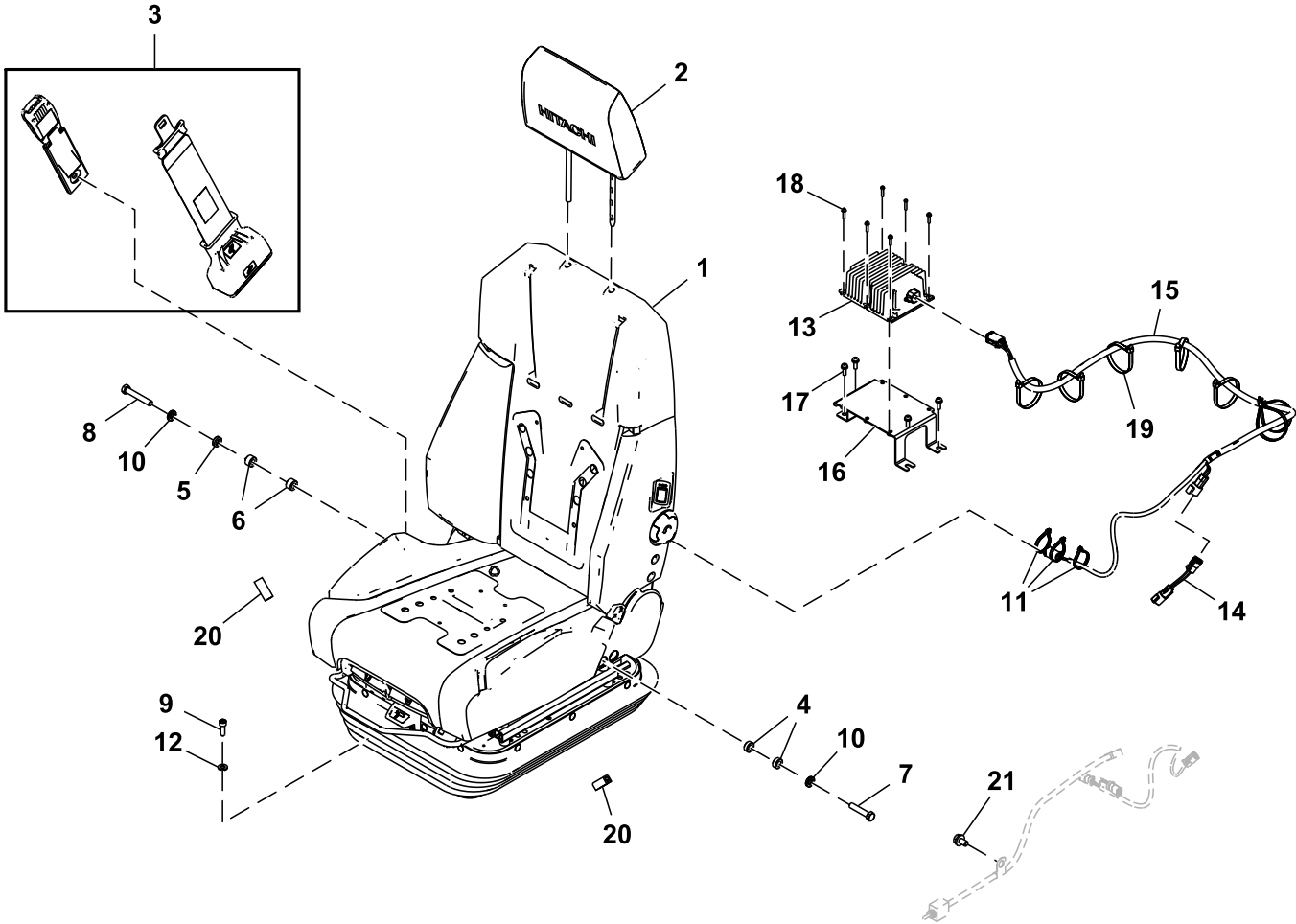


TX1199100

Key	Part No.	Part Name	Qty.	Serial No.	Remarks
1	4651877	Wiring Harness	1		Air Suspension Seat Heater Switch
2	H77698	Tie Band	1		SUB FOR 4055311
8	4651292	Switch	1		Air Suspension Seat Heater

Premium Seat (340571 -)

TX1262314 B.1

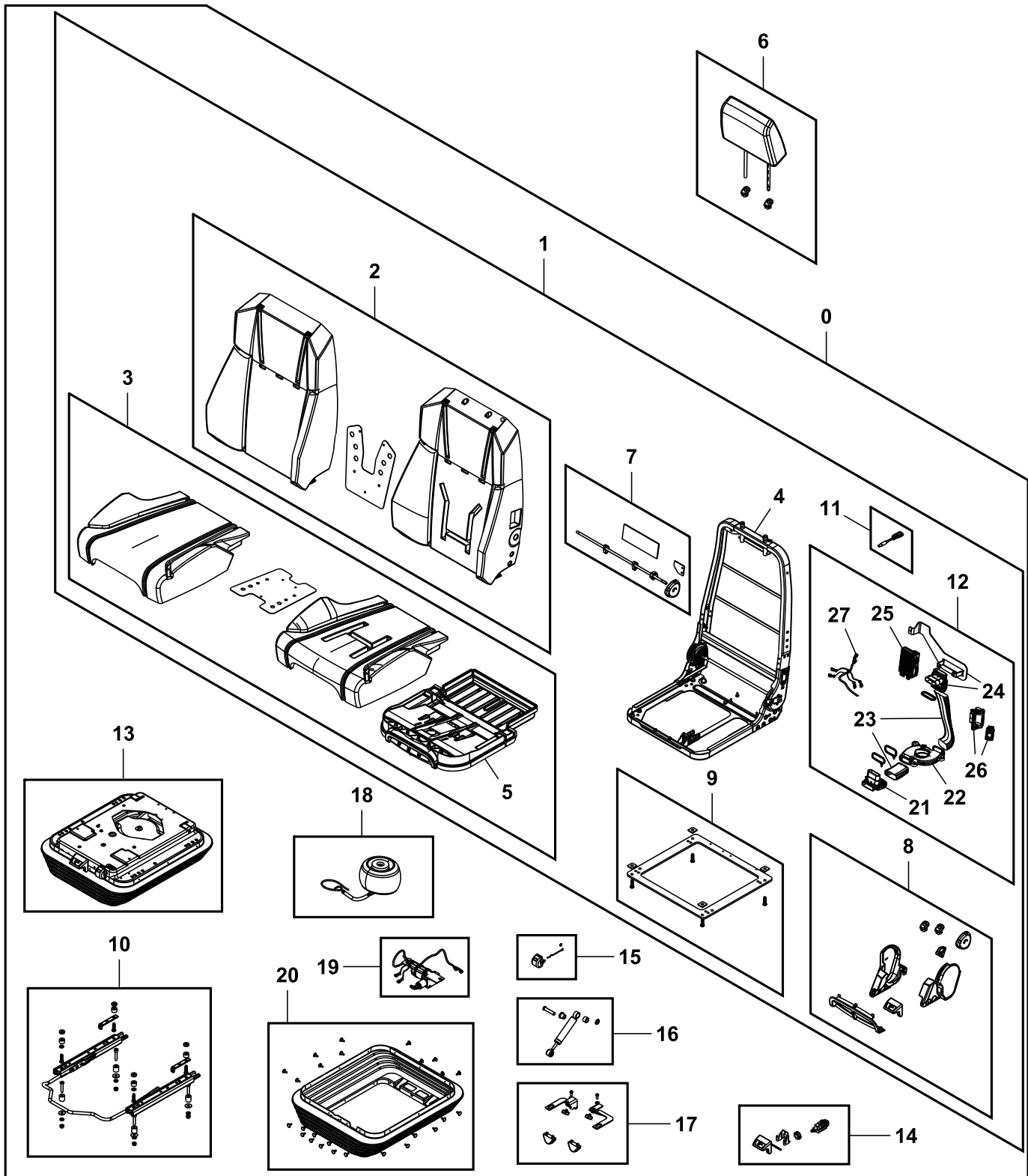


TX1262314

Key	Part No.	Part Name	Qty.	Serial No.	Remarks
1	AT501053	Seat Assembly	1		
2	FF551256	Head Restraint	1		Hitachi
3	FYA00045982	Seat Belt	1		
4	4372200	Spacer	2		
5	4382554	Washer	1		
6	4453874	Spacer	2		
7	4333835	Bolt	1		
8	4380534	Cap Screw	1		
9	19M8439	Screw	4		M8 X 25. SUB FOR M340825
10	12H293	Lock Washer	2		7/16", SUB FOR J219167
11	H77698	Tie Band	3		SUB FOR 4055311
12	J222008	Washer	4		
13	AT404819	Converter	1		
14	AT497158	Wiring Harness	1		Jumper Harness, 3 PIN to 2 PIN
15	AT495707	Wiring Harness	1		Converter
16	FF552329	Bracket	1		
17	Screw With Washer	4		J460620 NLA
	12M7006	Lock Washer	4		6 mm
	21M7267	Screw	4		M6 X 20
	24M7293	Washer	4		6.500 X 13 X 1.600 mm
18	Screw With Washer	6		J460420 NLA
	12H315	Lock Washer	6		0.164"
	21M7216	Screw	6		M4 X 20
	24M7117	Washer	6		4.300 X 9 X 0.800 mm
19	DH400240	Tie Band	7		
20	FF552533	Guard	2		
21	19M8752	Screw	1		M10 X 20

Premium Seat Components (340571 -)

TX1266495 D.1

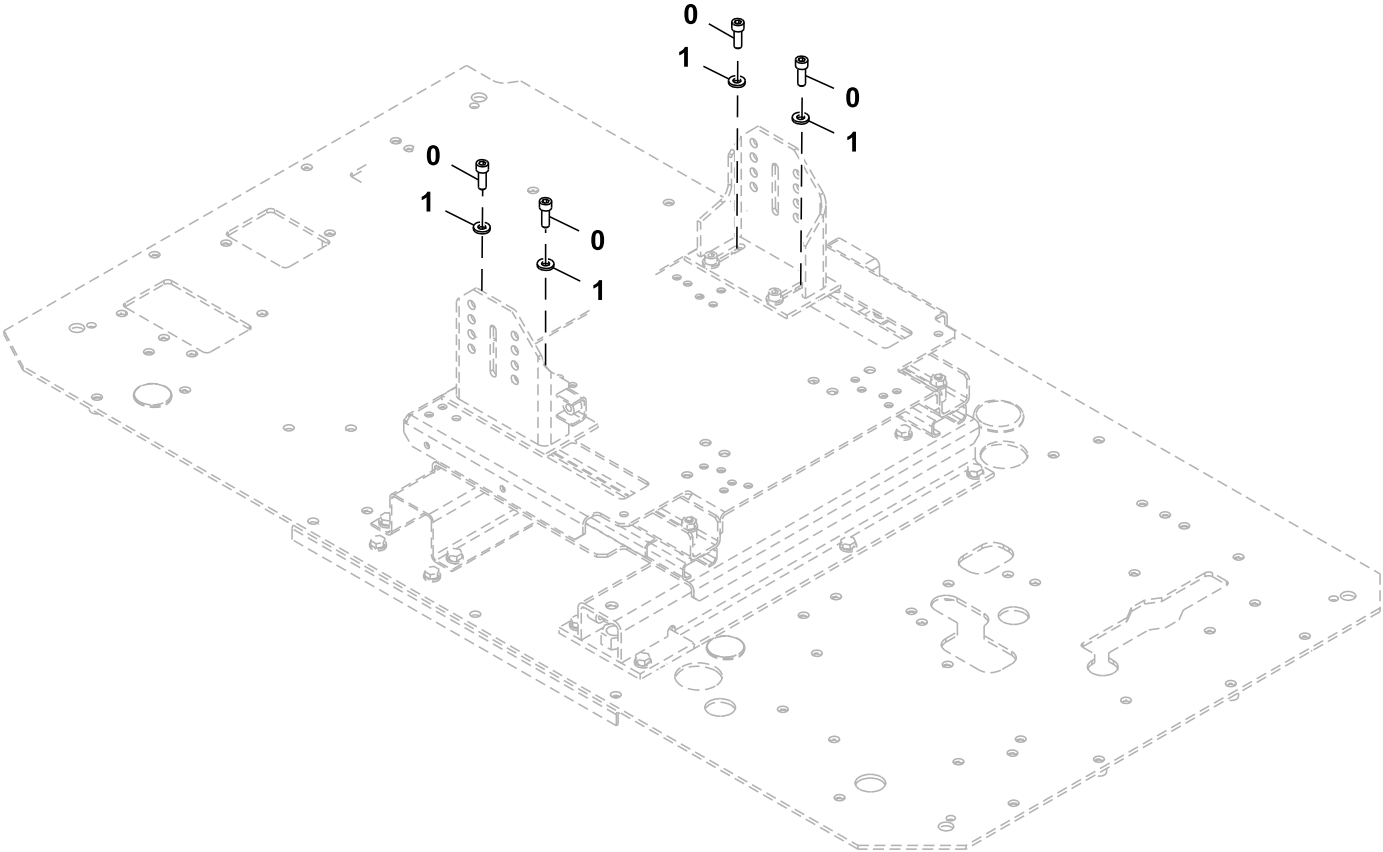


TX1266495

Key	Part No.	Part Name	Qty.	Serial No.	Remarks
0	AT501053	Seat Assembly	1		Premium Seat
1	AT501054	Seat Assembly	1		Upper
2	AT501055	Seat Back	1		Back Cover Kit
3	AT501056	Seat	1		Seat Cover Kit
4	AT501058	Frame	1		Frame Kit
5	AT501057	Seat	1		Seat Pan
6	FF551255	Head Restraint	1		Deere
	FF551256	Head Restraint	1		Hitachi
7	AT501059	Seat Kit	1		Mechanical Lumbar Kit
8	AT501060	Seat Kit	1		Knob Kit
9	AT501061	Plate Kit	1		Adapter Strap Kit
10	AT501071	Seat Slide Track Kit	1		
11	AT501062	Wiring Harness	1		Compressor
12	AT501063	Blower Kit	1		24 V Heat and Cool Kit
13	AT501072	Seat Suspension	1		
14	AT501073	Seat Height Switch Kit	1		Seat Compressor Switch
15	AT501074	Gauge	1		Indicator Kit
16	AT501075	Seat Shock Absorber Kit	1		
17	AT501076	Stop	1		Bump Stop Kit
18	AT501077	Air Spring Seat Kit	1		24 V
19	AT501078	Compressor Kit	1		24 V, Seat Air Compressor Motor
20	AT501079	Seat Suspension Boot Kit	1		
21	AT501064	Device	1		Lower Thermal Duct Module
22	AT501065	Blower Motor	1		Premium Seat Blower
23	AT501066	Air Duct	1		
24	AT501067	Device	1		Upper Thermal Duct Module
25	AT501068	Electronic Control Unit	1		
26	AT501069	Switch Kit	1		Heated/Cool Seat Switch
27	AT501070	Wiring Harness	1		12 V Wiring Harness Kit
28	AT404819	Converter	1		
29	AT497158	Wiring Harness	1		Jumper Harness, 3 PIN to 2 PIN
30	AT495707	Wiring Harness	1		Converter
31	FF552329	Bracket	1		
32	Screw With Washer	4		J460620 NLA
	21M7267	Screw	4		M6 X 20
	12M7006	Lock Washer	4		6 mm
	24M7293	Washer	4		6.500 X 13 X 1.600 mm
33	Screw With Washer	6		J460420 NLA
	21M7216	Screw	6		M4 X 20
	12H315	Lock Washer	6		0.164"
	24M7117	Washer	6		4.300 X 9 X 0.800 mm
34	DH400240	Tie Band	7		
35	FF552533	Guard	2		
36	19M8752	Screw	1		M10 X 20

Seat Mounting Hardware

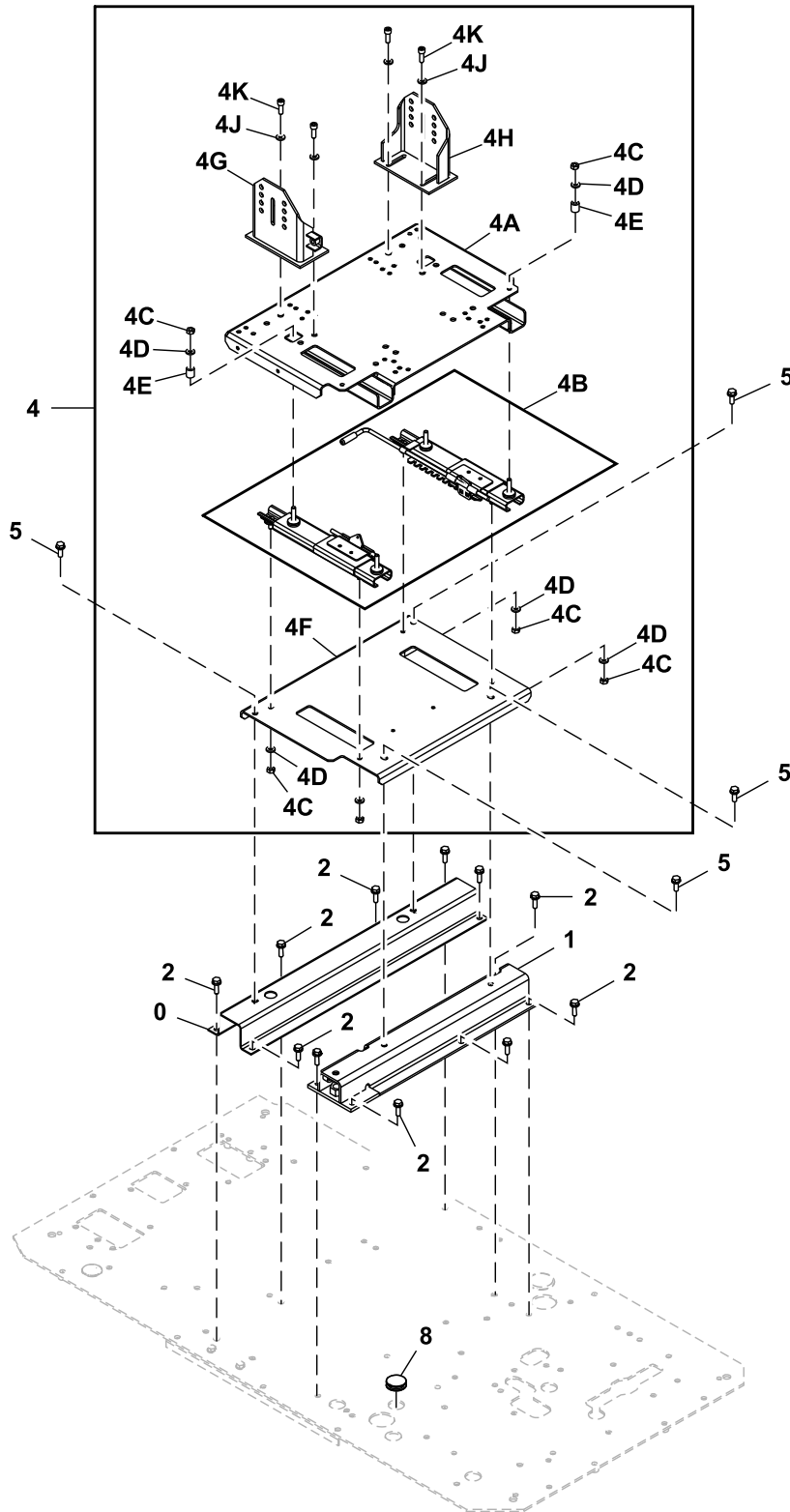
TX1215760 A.1



TX1215760

Key	Part No.	Part Name	Qty.	Serial No.	Remarks
0	19M7576	Screw	4		M10 X 30, SUB FOR J781030
1	24M7346	Washer	4		11 X 20 X 2 mm, SUB FOR J222010

Seat Stand
TX1199141 B.1

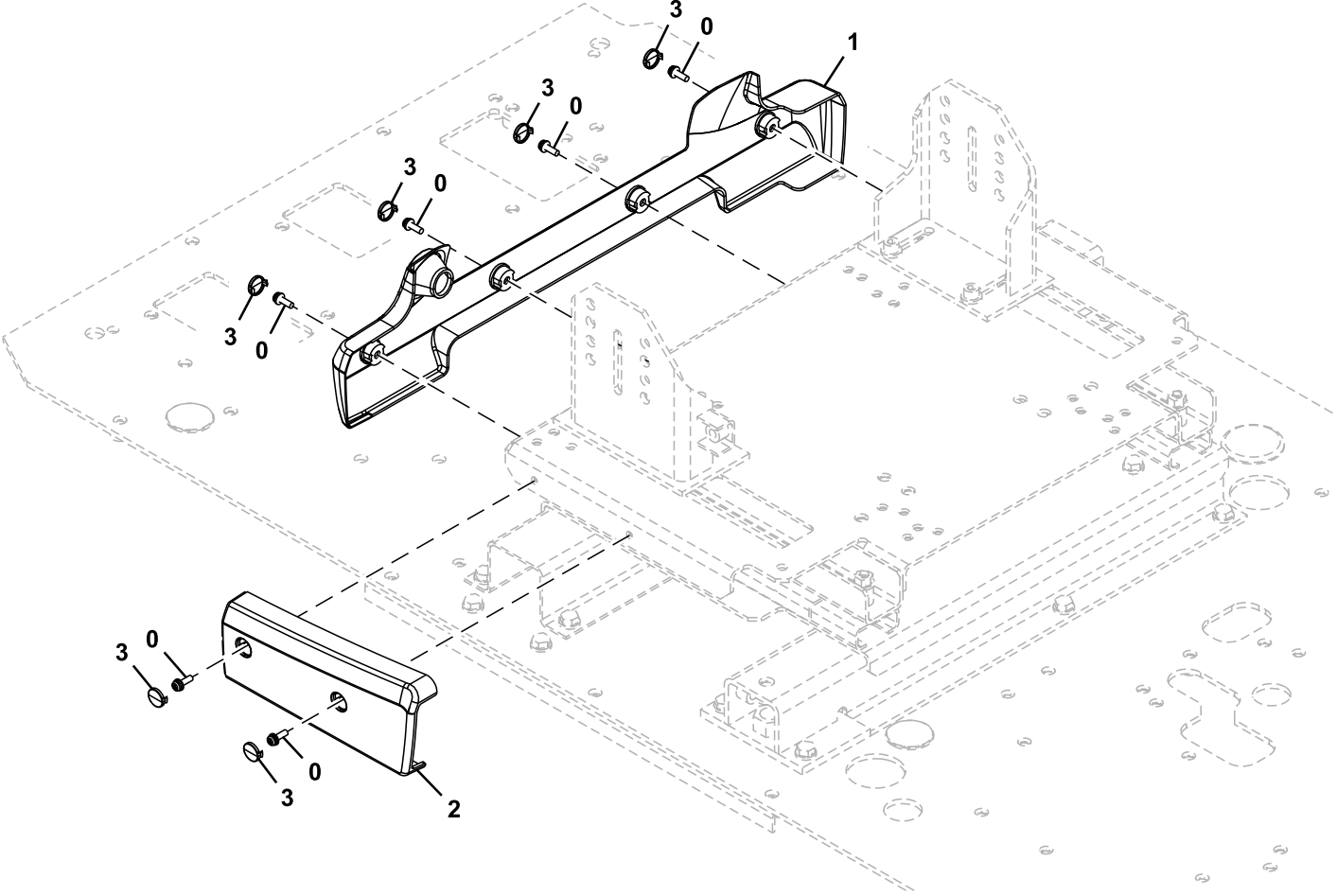


TX1199141

Key	Part No.	Part Name	Qty.	Serial No.	Remarks
0	7057119	Stand	1		
1	7057120	Stand	1		
2	Screw With Washer	11		J271035 NLA
	19M7550	Cap Screw	11		M10 X 35, SUB FOR J901035
	24M7346	Washer	11		11 X 20 X 2 mm, SUB FOR J222010
4	Frame	1		9307430 NLA, Furnish Components
4A	6027603	Stand	1		
4B	4706817	Seat Slide Track Kit	1		
4C	14M7444	Nut	8		M10, SUB FOR J952010
4D	24M7346	Washer	8		11 X 20 X 2 mm, SUB FOR J222010
4E	4702991	Spacer	4		
4F	8118287	Plate	1		
4G	7057117	Stand	1		
4H	7057118	Stand	1		
4J	24M7346	Washer	4		11 X 20 X 2 mm, SUB FOR J222010
4K	19M7576	Screw	4		M10 X 30, SUB FOR J781030
5	Screw With Washer	4		J271030 NLA
	19M7662	Cap Screw	4		M10 X 30, SUB FOR J901030
	24M7346	Washer	4		11 X 20 X 2 mm, SUB FOR J222010
8	4288445	Plug	1		

Seat Base Cover

TX1088682 A.1

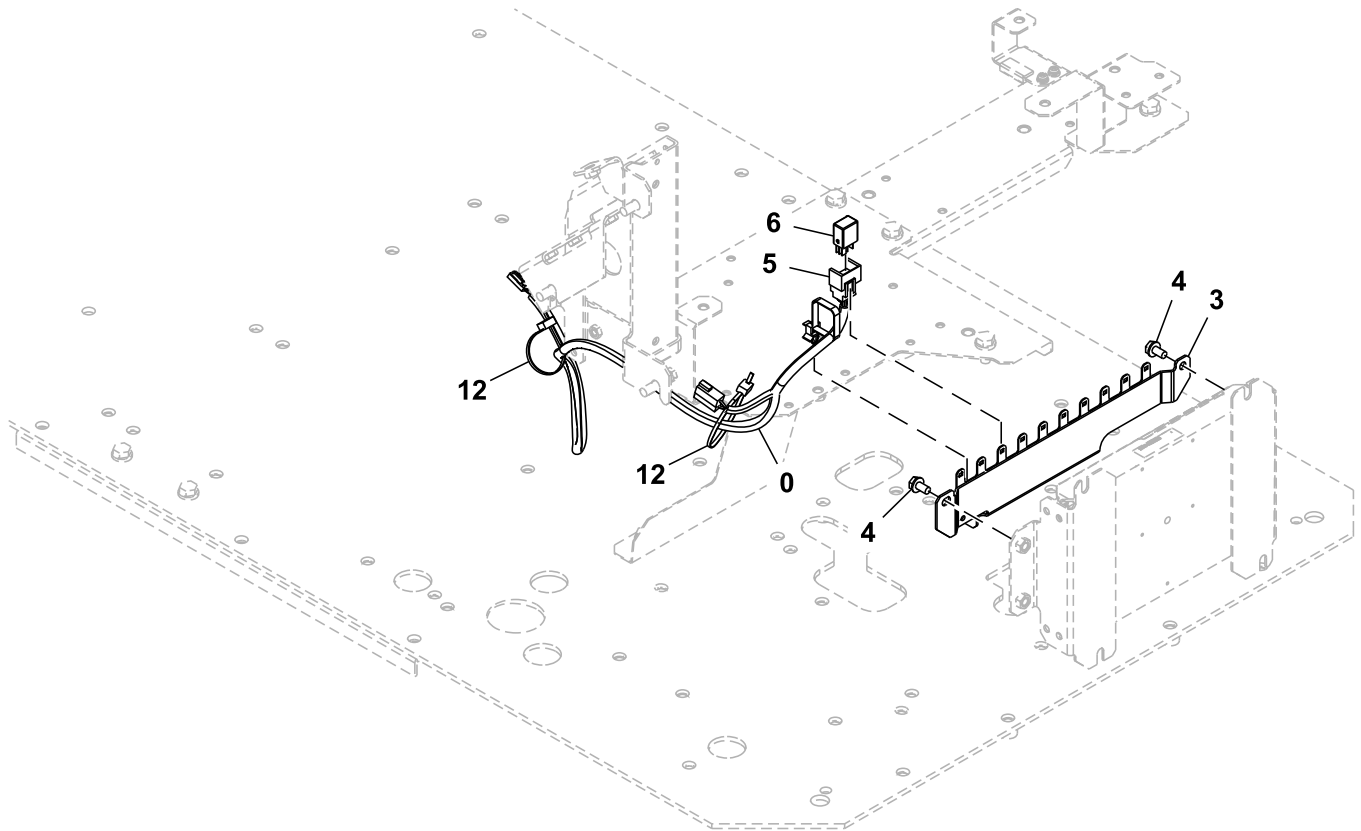


TX1088682

Key	Part No.	Part Name	Qty.	Serial No.	Remarks
0	Screw With Washer	6		J460620 NLA
	21M7267	Screw	6		M6 X 20
	24M7293	Washer	6		6.500 X 13 X 1.600 mm
1	12M7006	Lock Washer	6		6 mm
	2058778	Cover	1		
2	2058779	Cover	1		
3	3118337	Cap	6		

Seat Heater Wiring Harness

TX1089833 B.1

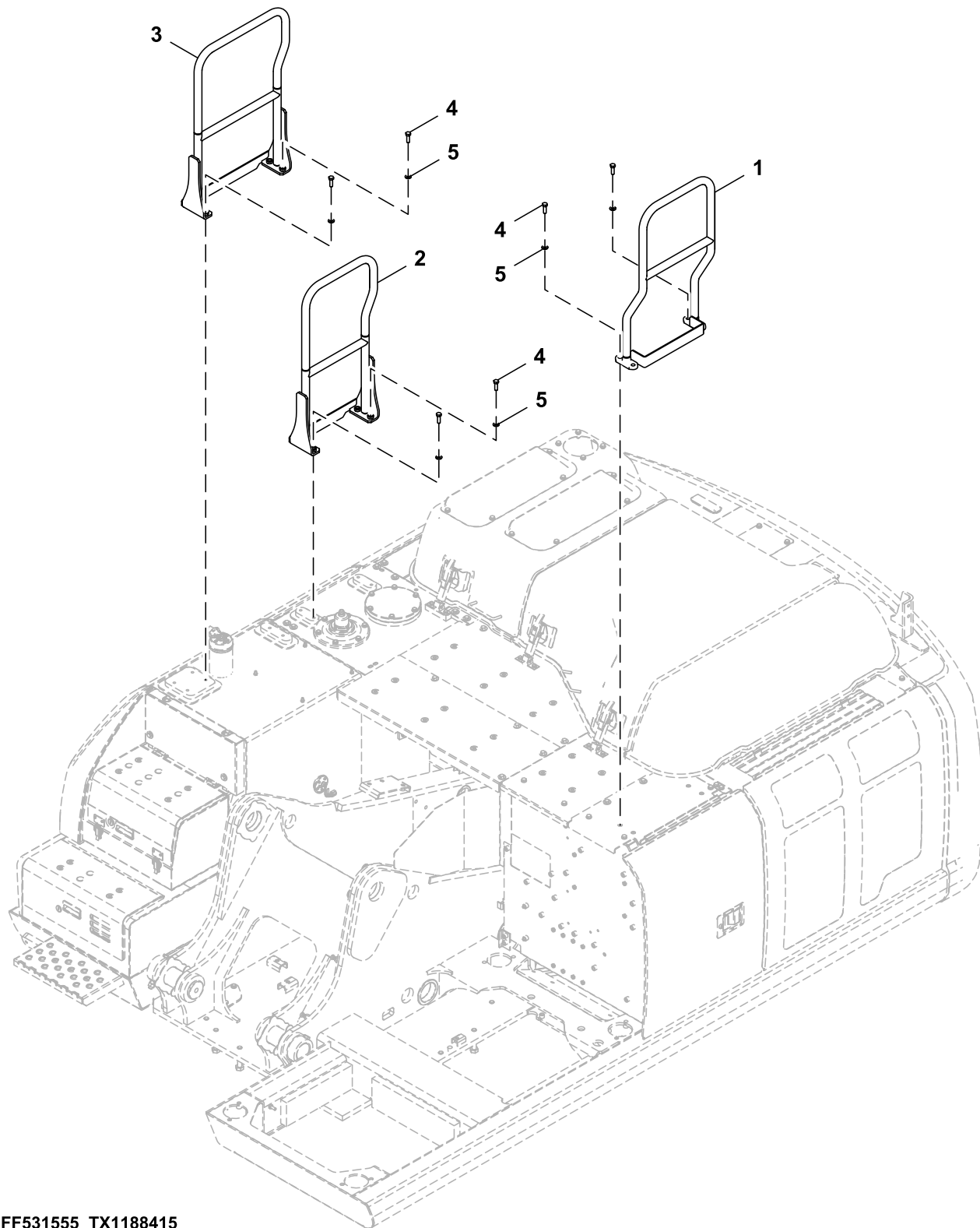


TX1089833

Key	Part No.	Part Name	Qty.	Serial No.	Remarks
0	3110326	Wiring Harness	1		Seat Heater
3	FYA00031006	Bracket	1		SUB FOR FYA40002175
4	Screw With Washer	2		J260816 NLA
	19M7162	Cap Screw	2		M8 X 16, SUB FOR J900816
	24M7055	Washer	2		8.400 X 16 X 1.600 mm, SUB FOR A590108
5	4254600	Clip	1		
6	4436534	Relay	1		Seat Heater
12	H77698	Tie Band	2		SUB FOR 4055312

Handrails

TX1188415 B.1

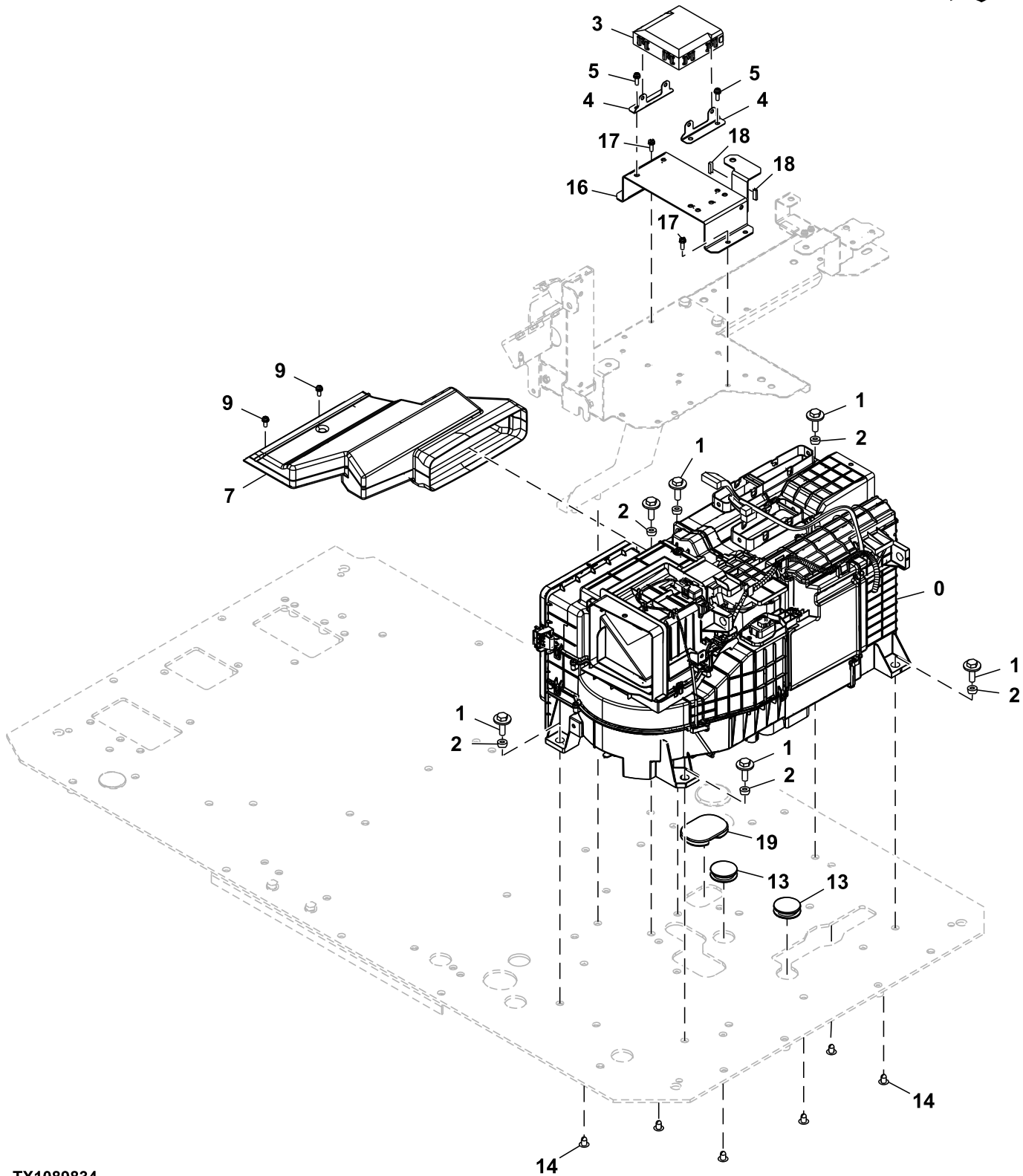


FF531555_TX1188415

Key	Part No.	Part Name	Qty.	Serial No.	Remarks
1	FYA40021895	Handrail	1		
2	FF532191	Handrail	1		
3	FF532615	Handrail	1		
4	19M7493	Cap Screw	12		M12 X 40, SUB FOR J921240
5	24M7345	Washer	12		13.500 X 24 X 2.500 mm, SUB FOR J222012

Air Conditioner (A/C) and Heater

TX1089834 C.1

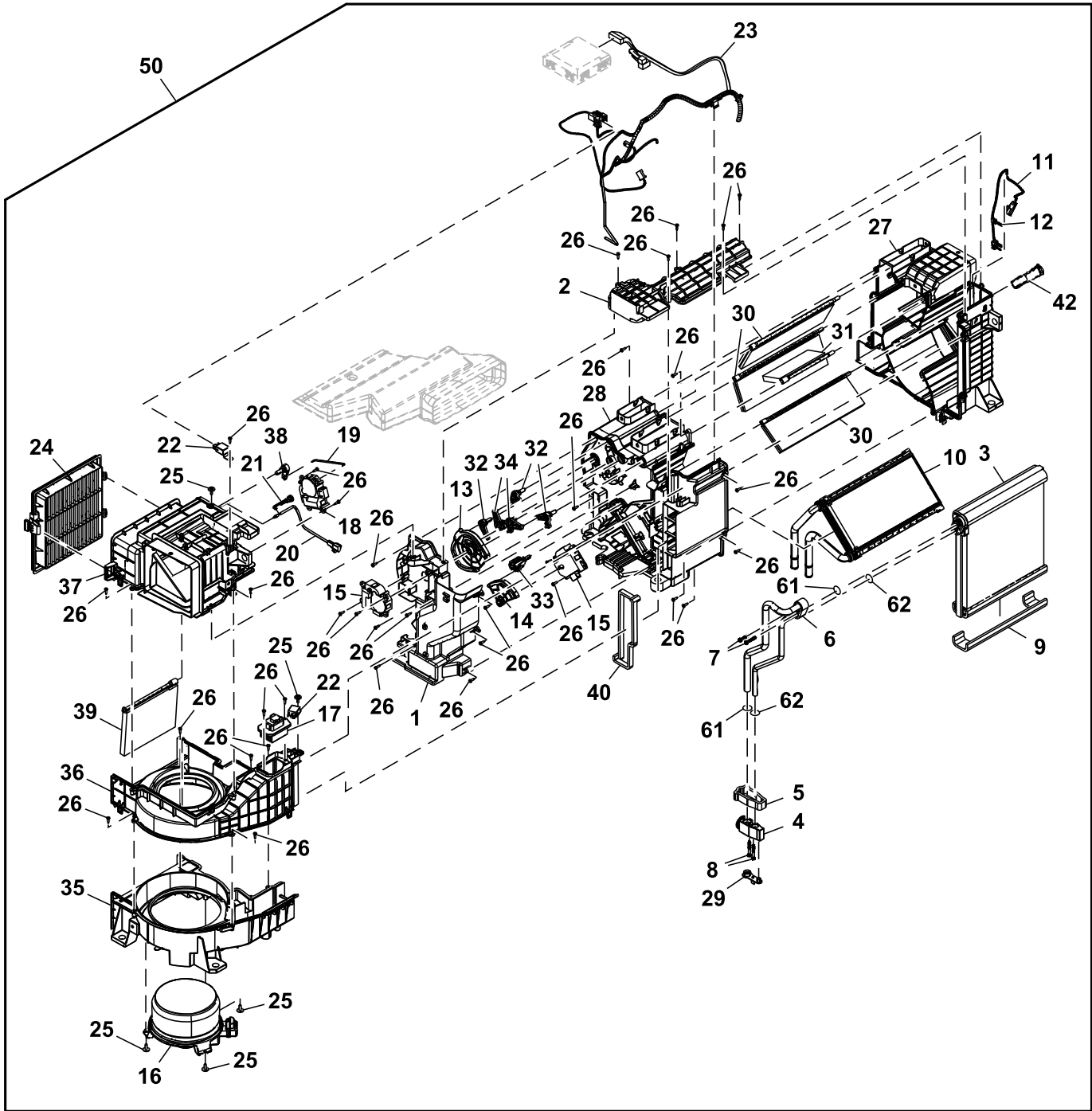


TX1089834

Key	Part No.	Part Name	Qty.	Serial No.	Remarks
0	FYA00042254	Air Conditioner	1		Components On Separate Page, INCLUDES CH11568 AND 4297380, SUB FOR 4704922
	CH11568	Packing	1		A/C Unit Inlet, Not Illustrated
	4297380	O-Ring	1		A/C Unit Outlet, Not Illustrated, SUB FOR 4622346
1	Screw With Washer	6		J281035 NLA
	19M7550	Cap Screw	6		M10 X 35, SUB FOR J901035
	4486055	Washer	6		
2	FYA00008897	Spacer	6		
3	FYA00048010	Air Heater Controller	1		SUB FOR FYA00007726
4	4704925	Bracket	2		
5	Screw With Washer	4		J460620 NLA
	21M7267	Screw	4		M6 X 20
	24M7293	Washer	4		6.500 X 13 X 1.600 mm
	12M7006	Lock Washer	4		6 mm
7	7058406	Air Duct	1		
9	Screw With Washer	2		J460616 NLA
	19M8425	Cap Screw	2		M6 X 16
	12M7006	Lock Washer	2		6 mm
	24M7293	Washer	2		6.500 X 13 X 1.600 mm
13	4288445	Plug	2		
14	4280359	Plug	6		
16	8119300	Bracket	1		
17	Screw With Washer	4		J460620 NLA
	21M7267	Screw	4		M6 X 20
	24M7293	Washer	4		6.500 X 13 X 1.600 mm
	12M7006	Lock Washer	4		6 mm
18	4692607	Sealing Trim	2		
19	3120378	Bushing	1		

Air Conditioner (A/C) and Heater Components

TX1088692 H.1



51 — 27,28,30,31,32,33

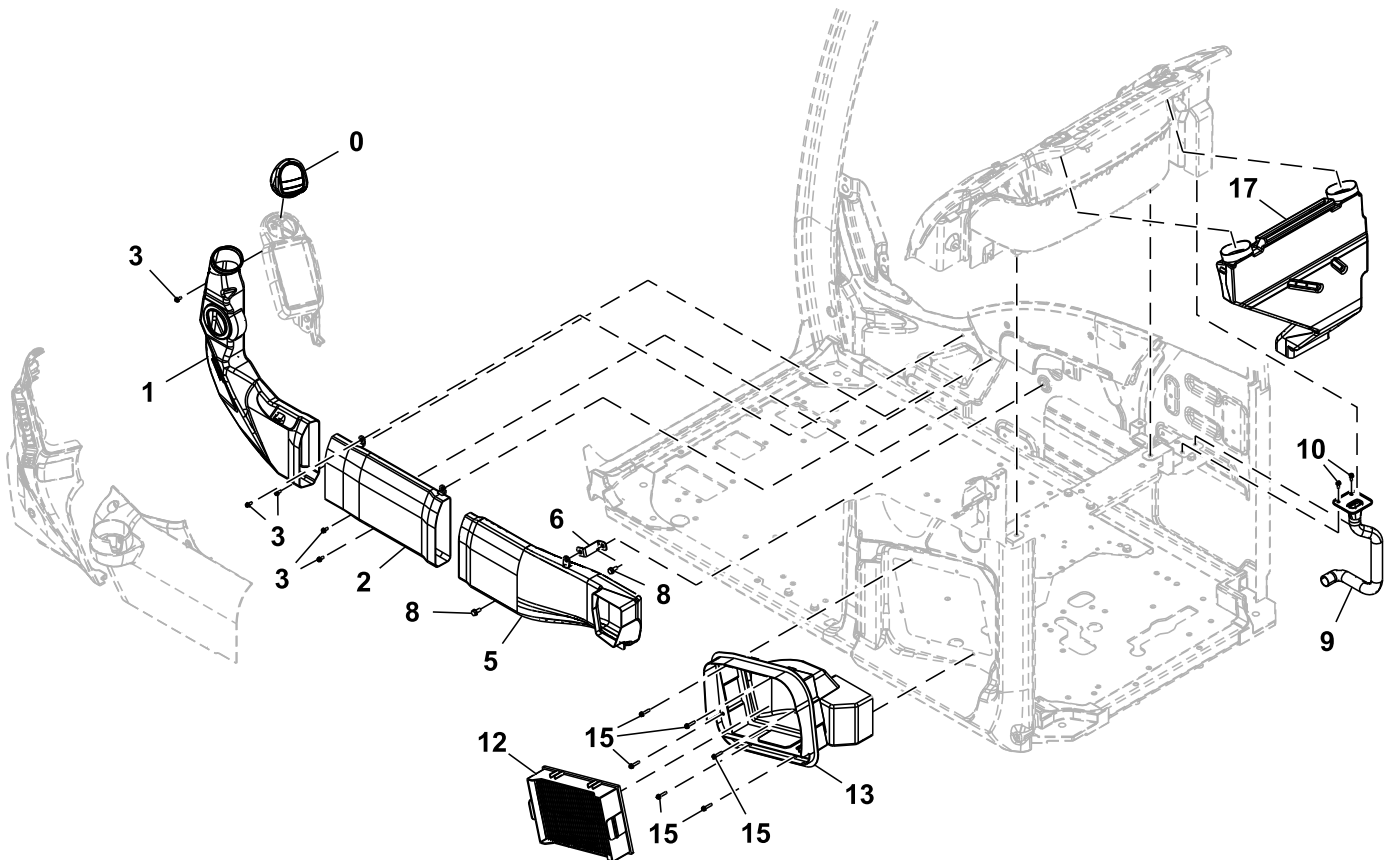
52 — 35,36

TX1088692

Key	Part No.	Part Name	Qty.	Serial No.	Remarks
1	FXB00001042	Case	1		
2	FXB00001043	Plate	1		
3	FXB00001044	Evaporator	1		
4	FXB00018343	Valve	1		Expansion Valve, SUB FOR FXB00001045
5	FXB00001046	Packing	1		
6	FXB00001047	Tube	1		
7	FXB00001048	Bolt	2		
8	FXB00001049	Bolt	2		
9	FXB00001050	Packing	1		
10	FXB00001051	Core	1		
11	FXB00001052	Sensor	1		Air Conditioner (A/C) Freeze Sensor
12	FXB00001053	Clamp	1		
13	FXB00001054	Plate	1		
14	FXB00001055	Plate	1		
15	FXB00001056	Motor	2		Cooling Motor
16	FXB00001057	Motor	1		Blower Motor
17	FXB00001058	Resistor	1		
18	FXB00001059	Motor	1		Air Door Motor
19	FXB00001060	Shaft	1		
20	FXB00001061	Sensor	1		Air Recirculation Sensor
21	FXB00001062	Bracket	1		
22	FXB00001063	Relay	2		Blower Motor
23	FXB00001064	Wiring Harness	1		Air Conditioner (A/C) and Heater
24	FYA00001490R	Air Filter	1		Cab Recirculating Air Filter Element, SUB FOR FYA00001490
25	FXB00001065	Screw	5		
26	4382883	Screw	35		
27	Case	1		NSEP
28	Case	1		NSEP
29	FXB00001068	Plug	1		
30	FXB00001069	Door	3		
31	FXB00001070	Door	1		
32	FXB00001071	Lever	3		
33	FXB00001072	Lever	1		
34	FXB00001073	Lever	2		
35	Case	1		NSEP
36	Case	1		NSEP
37	FXB00001076	Case	1		
38	FXB00001077	Lever	1		
39	FXB00001078	Door	1		
40	FXB00001079	Packing	1		
42	FYA00045626	Guide	1		
50	FYA00042254	Air Conditioner	1		SUB FOR 4704922, ALSO ORDER FYA40018525
	FYA40018525	Air Duct	1		
51	FYA00042370	Case	1		SUB FOR FYA00002304, ALSO ORDER FYA40018525
	FYA40018525	Air Duct	1		
52	FYA00002305	Case	1		
61	4297380	O-Ring	2		SUB FOR 4350206
62	957366	O-Ring	2		SUB FOR 4350207

Air Conditioner (A/C) and Heater Duct

TX1088685 C.1

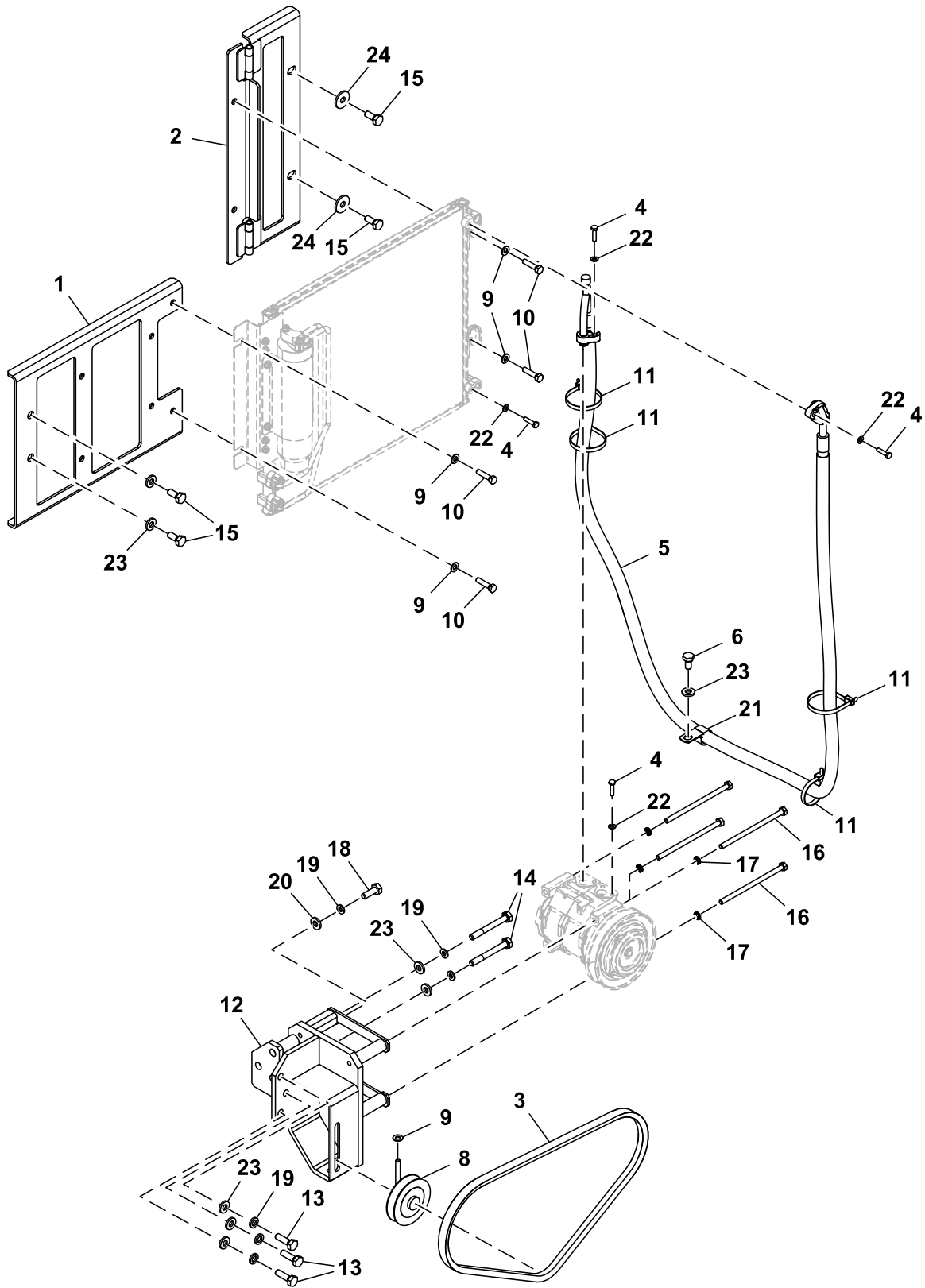


TX1088685

Key	Part No.	Part Name	Qty.	Serial No.	Remarks
0	7058382	Grille	1		
1	7058363	Air Duct	1		
2	7058364	Air Duct	1		
3	Screw With Washer	5		J680616 NLA
	21M7577	Socket Head Screw	5		M6 X 16
	12M7006	Lock Washer	5		6 mm
	24M7054	Washer	5		6.400 X 12 X 1.600 mm
5	7058402	Air Duct	1		
6	8100576	Bracket	1		
8	Screw With Washer	2		J260820 NLA
	19M7881	Screw	2		M8 X 20, SUB FOR J900820
	24M7055	Washer	2		8.400 X 16 X 1.600 mm, SUB FOR A590108
9	FYA40018525	Air Duct	1		SUB FOR 7058366
10	Screw With Washer	1		J680616 NLA
	21M7577	Socket Head Screw	2		M6 X 16
	12M7006	Lock Washer	2		6 mm
	24M7054	Washer	2		6.400 X 12 X 1.600 mm
12	4S00686R	Filter	1		SUB FOR FYA00032683, 4632689 OR 4S00686, Cab Fresh Air Filter
13	7058400	Air Duct	1		
15	Screw With Washer	1		J460630 NLA
	21M7466	Screw	6		M6 X 30
	12M7006	Lock Washer	6		6 mm
	24M7054	Washer	6		6.400 X 12 X 1.600 mm
17	7058365	Air Duct	1		

Air Conditioner Refrigerant Hose and Compressor Belt (- 340003)

TX1186164 A.1

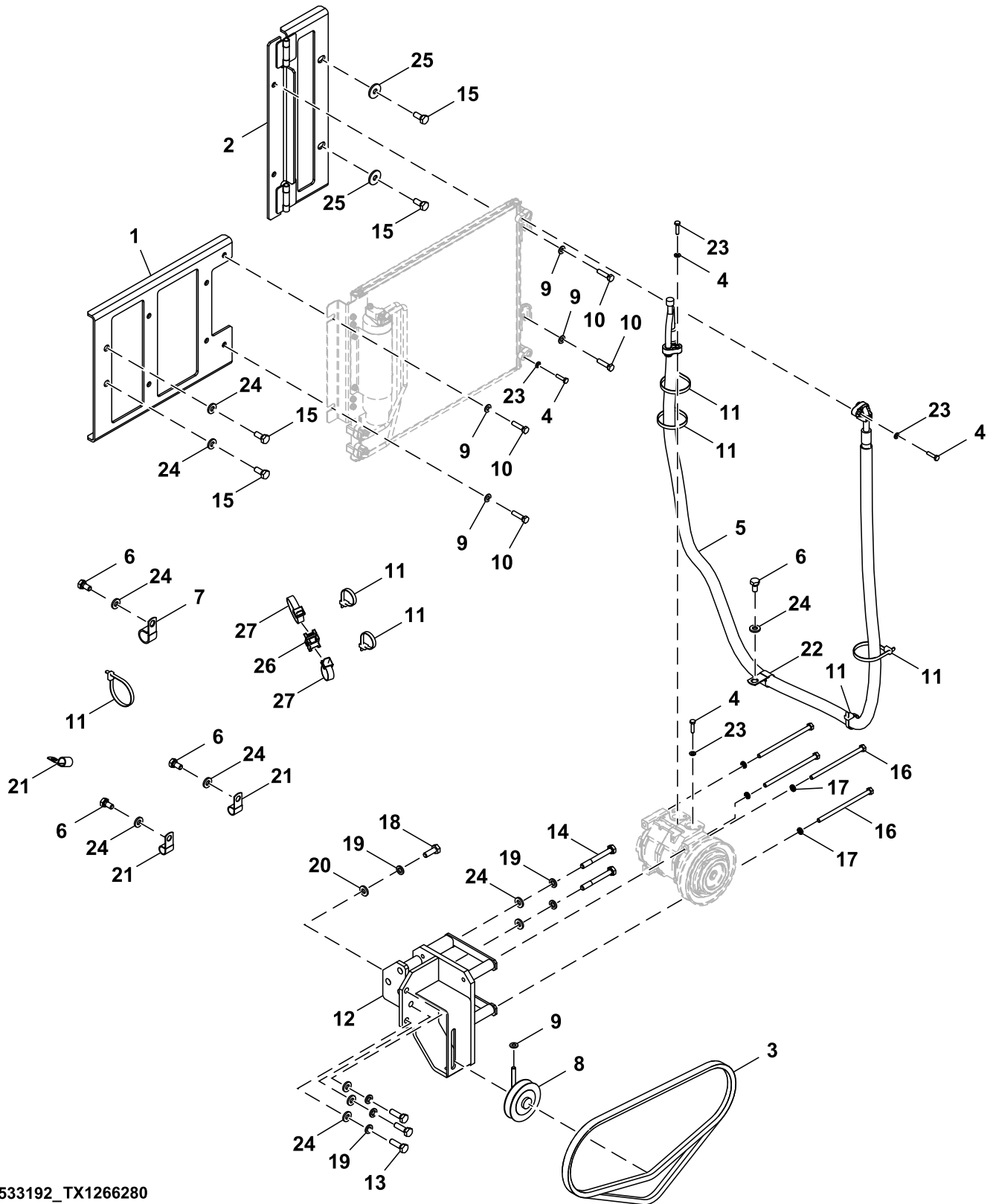


TX1186164

Key	Part No.	Part Name	Qty.	Serial No.	Remarks
1	8120061	Bracket	1		
2	8117101	Bracket	1		
3	FYA00007116	V-Belt	1		
4	19M7286	Cap Screw	4		M6 X 25, SUB FOR J900625
5	FYA00028045	Hose	1		
6	19M7938	Cap Screw	3		M10 X 20, SUB FOR J901020
8	4346770	Pulley	1		
9	24M7055	Washer	5		8.400 X 16 X 1.600 mm, SUB FOR A590108
10	19M7298	Cap Screw	4		M8 X 35, SUB FOR J900835
11	DH400240	Tie Band	4		
12	FYA40008134	Bracket	1		
13	19M7550	Cap Screw	3		M10 X 35, SUB FOR J901035
14	19M8197	Cap Screw	2		M10 X 85, SUB FOR J901085
15	19M7402	Cap Screw	4		M10 X 25, SUB FOR J901025
16	19M9389	Cap Screw	4		M8 X 150, SUB FOR 4652417
17	4724292	Washer	4		
18	19M7662	Cap Screw	1		M10 X 30, SUB FOR J921030
19	12M7066	Lock Washer	6		10 mm, SUB FOR A590910
20	24M7346	Washer	1		11 X 20 X 2 mm, SUB FOR J222010
21	4190277	Clamp	1		
22	24M7054	Washer	4		6.400 X 12 X 1.600 mm, SUB FOR A590106
23	24M7346	Washer	10		11 X 20 X 2 mm, SUB FOR DH400703
24	24M7101	Washer	2		11 X 34 X 3 mm, SUB FOR J217083
25	4667336	Refrigerant Hose	1		M16X1.5, 3400mm, Extension Hose, Not Illustrated
	4718096	Hose	1		M16X1.5, 3900mm, Extension Hose, Not Illustrated
26	4666744	Refrigerant Hose	1		M24X1.5, 3400mm, Extension Hose, Not Illustrated
	4718095	Hose	1		M24X1.5, 3900mm, Extension Hose, Not Illustrated

Air Conditioner Refrigerant Hose and Compressor Belt (340004 -)

TX1266280 A.1

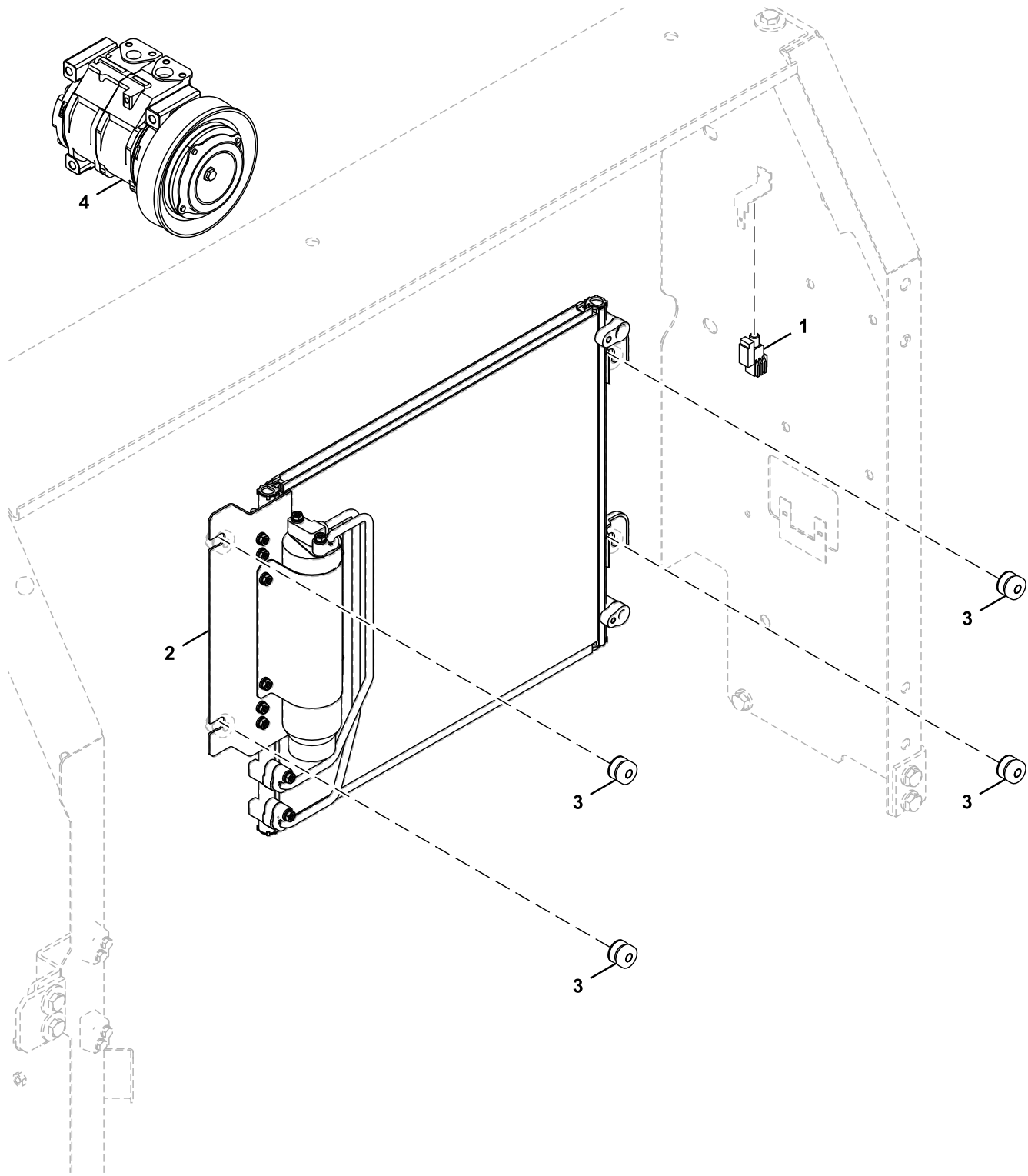


FF533192_TX1266280

Key	Part No.	Part Name	Qty.	Serial No.	Remarks
1	8120061	Bracket	1		
2	8117101	Bracket	1		
3	FYA00007116	V-Belt	1		
4	19M7286	Cap Screw	4		M6 X 25, SUB FOR J900625
5	FYA00028045	Hose	1		
6	19M7938	Cap Screw	4		M10 X 20, SUB FOR J901020
7	4190263	Clip	1		
8	4346770	Pulley	1		
9	24M7055	Washer	5		8.400 X 16 X 1.600 mm, SUB FOR A590108
10	19M7298	Cap Screw	4		M8 X 35, SUB FOR J900835
11	DH400240	Tie Band	7		
12	FYA40008134	Bracket	1		
13	19M7550	Cap Screw	3		M10 X 35, SUB FOR J901035
14	19M8197	Cap Screw	2		M10 X 85, SUB FOR J901085
15	19M7402	Cap Screw	4		M10 X 25, SUB FOR J901025
16	19M9389	Cap Screw	4		M8 X 150, SUB FOR 4652417
17	4724292	Washer	4		
18	19M7662	Cap Screw	1		M10 X 30, SUB FOR J921030
19	12M7066	Lock Washer	6		10 mm, SUB FOR A590910
20	24M7346	Washer	1		11 X 20 X 2 mm, SUB FOR J222010
21	4190253	Clip	3		
22	4190277	Clamp	1		
23	24M7054	Washer	4		6.400 X 12 X 1.600 mm, SUB FOR A590106
24	24M7346	Washer	11		11 X 20 X 2 mm, SUB FOR DH400703
25	24M7101	Washer	2		11 X 34 X 3 mm, SUB FOR J217083
26	AN209168	Swivel	1		
27	H224073	Tie Band	2		

Air Conditioning Compressor, Condenser and Sensor

TX1143048 B.1

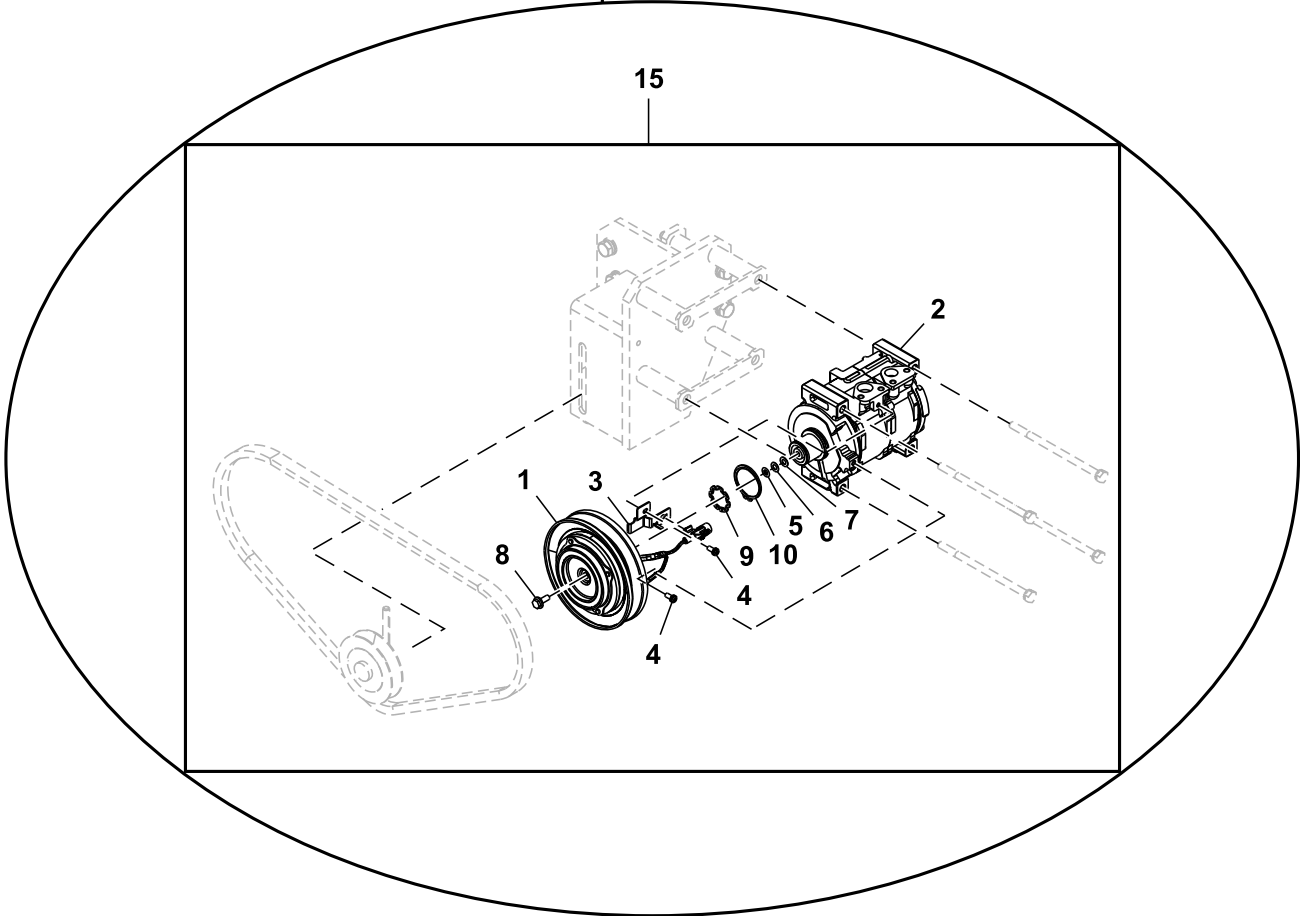
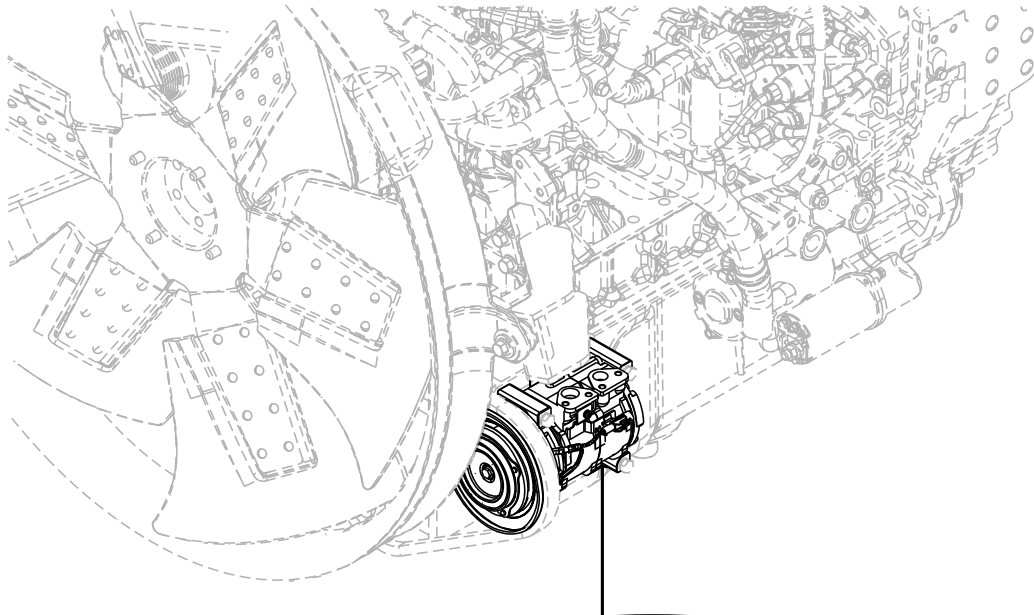


9307110_TX1143048

<i>Key</i>	<i>Part No.</i>	<i>Part Name</i>	<i>Qty.</i>	<i>Serial No.</i>	<i>Remarks</i>
1	4405815	Sensor	1		Ambient Air Temperature
2	4704924	Vapor Condenser	1		Components On Seperate Page
3	4618721	Bushing	4		
4	4721999	Compressor	1		Components On Seperate Page
	4370247	Cap	1		High Pressure Cap, Not Illustrated
	4370251	Cap	1		Low Pressure Cap, Not Illustrated

Air Conditioner (A/C) Compressor Components

TX1089839 D.1

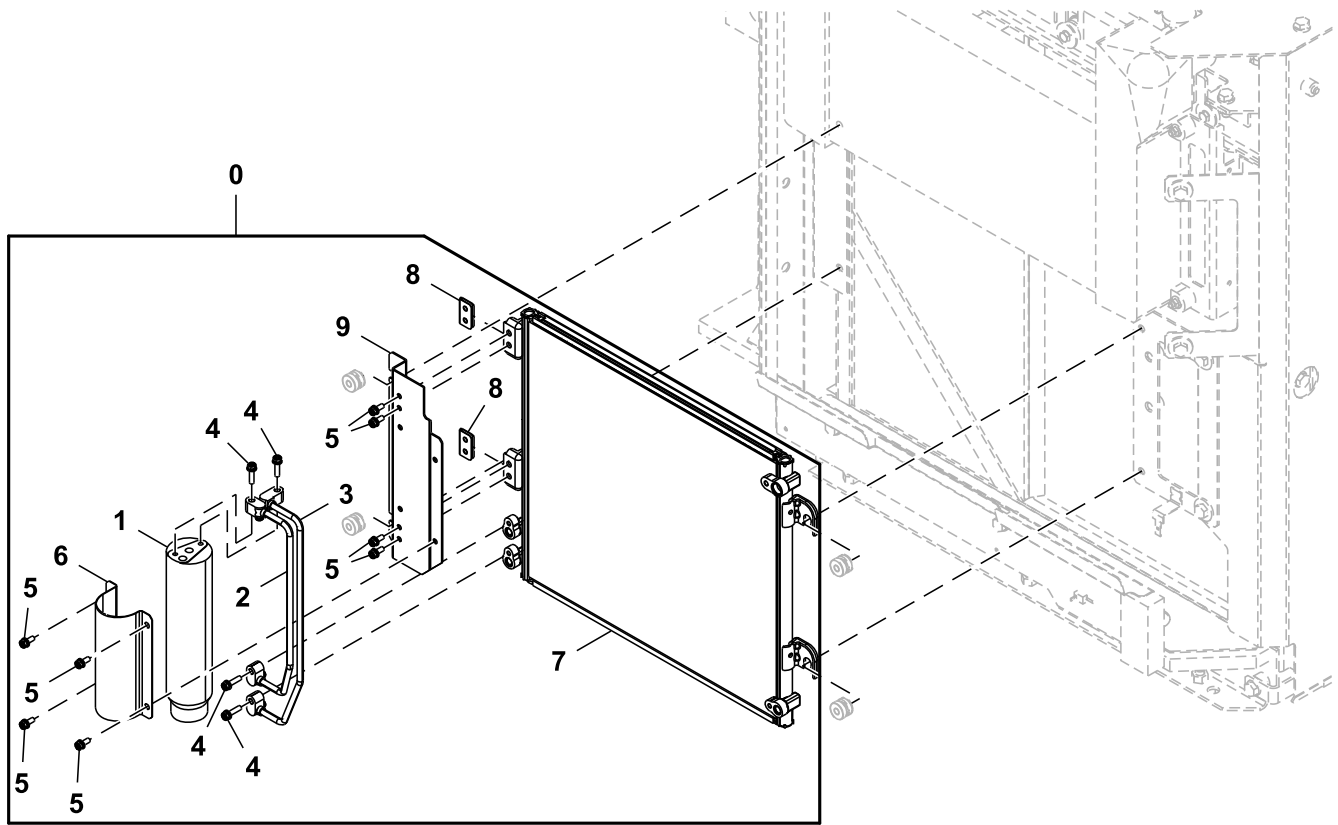


TX1089839

Key	Part No.	Part Name	Qty.	Serial No.	Remarks
1	FXB00001039	Clutch	1		
2	FXB00001040	Compressor	1		
3	FXB00001041	Bracket	1		
4	4475245	Screw	2		
5	4475237	Washer	1		
6	4475242	Washer	1		
7	4475243	Washer	1		
8	4475244	Bolt	1		
9	4475236	Ring	1		
10	4475230	Ring	1		
15	4721999	Compressor	1		Air Conditioner (A/C)

Air Conditioner (A/C) Condenser Components

TX1117085 D.1

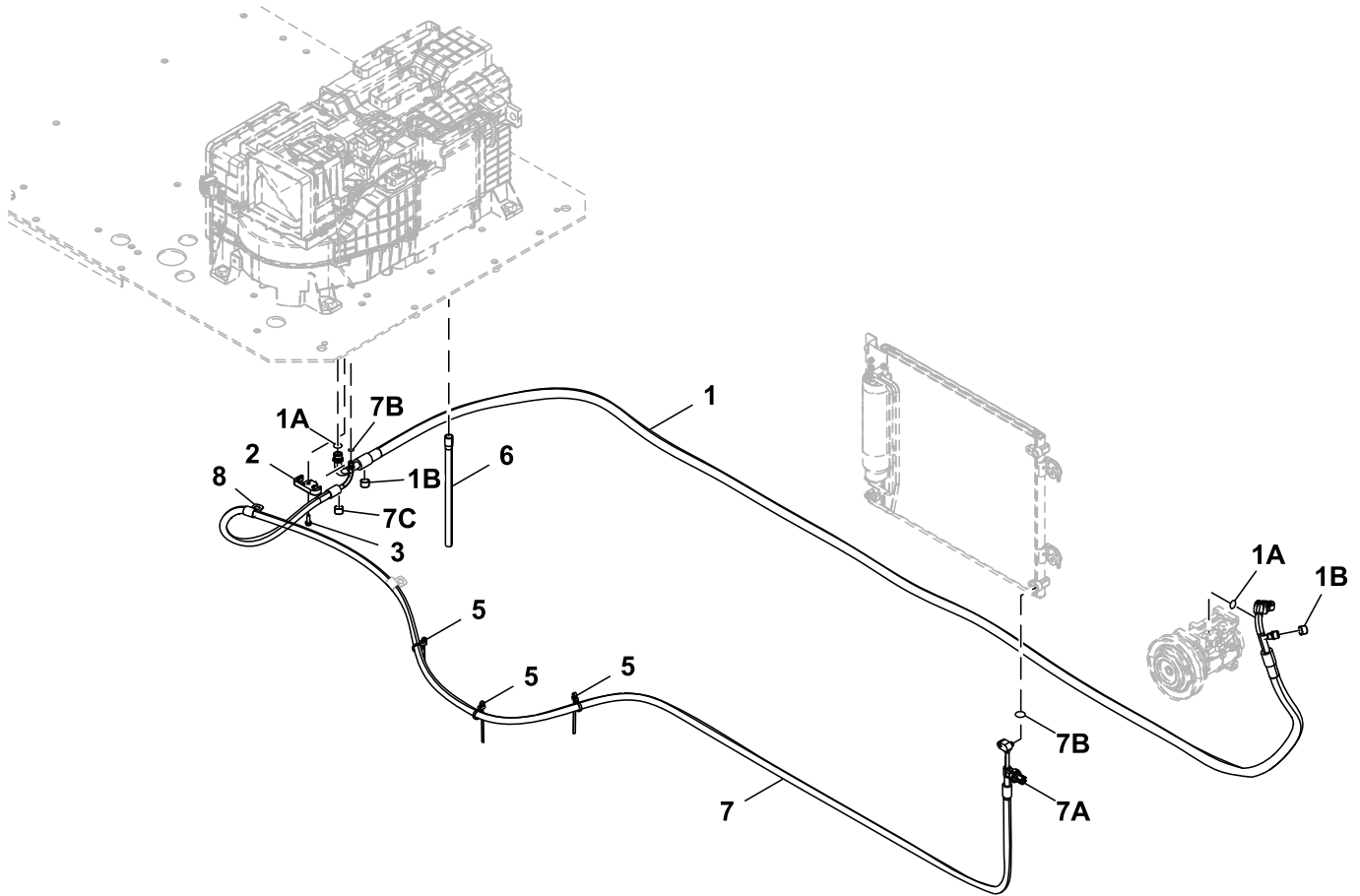


TX1117085

Key	Part No.	Part Name	Qty.	Serial No.	Remarks
0	4704924	Vapor Condenser	1		
1	4333461	Receiver-Dryer	1		
2	FXB00001031	Tube	1		INCLUDES 957366 AND CH11568
	957366	O-Ring	1		Inlet
	CH11568	Packing	1		Outlet
3	FXB00001032	Tube	1		INCLUDES 957366 AND CH11568
	957366	O-Ring	1		Inlet
	CH11568	Packing	1		Outlet
4	FXB00001033	Bolt	4		
5	FXB00001034	Bolt	8		
6	FXB00001035	Holder	1		
7	FXB00001036	Core	1		
8	FXB00001037	Bracket	2		
9	FXB00001038	Bracket	1		

Air Conditioner Compressor and Condenser Hoses (- 340456)

TX1089835 D.3



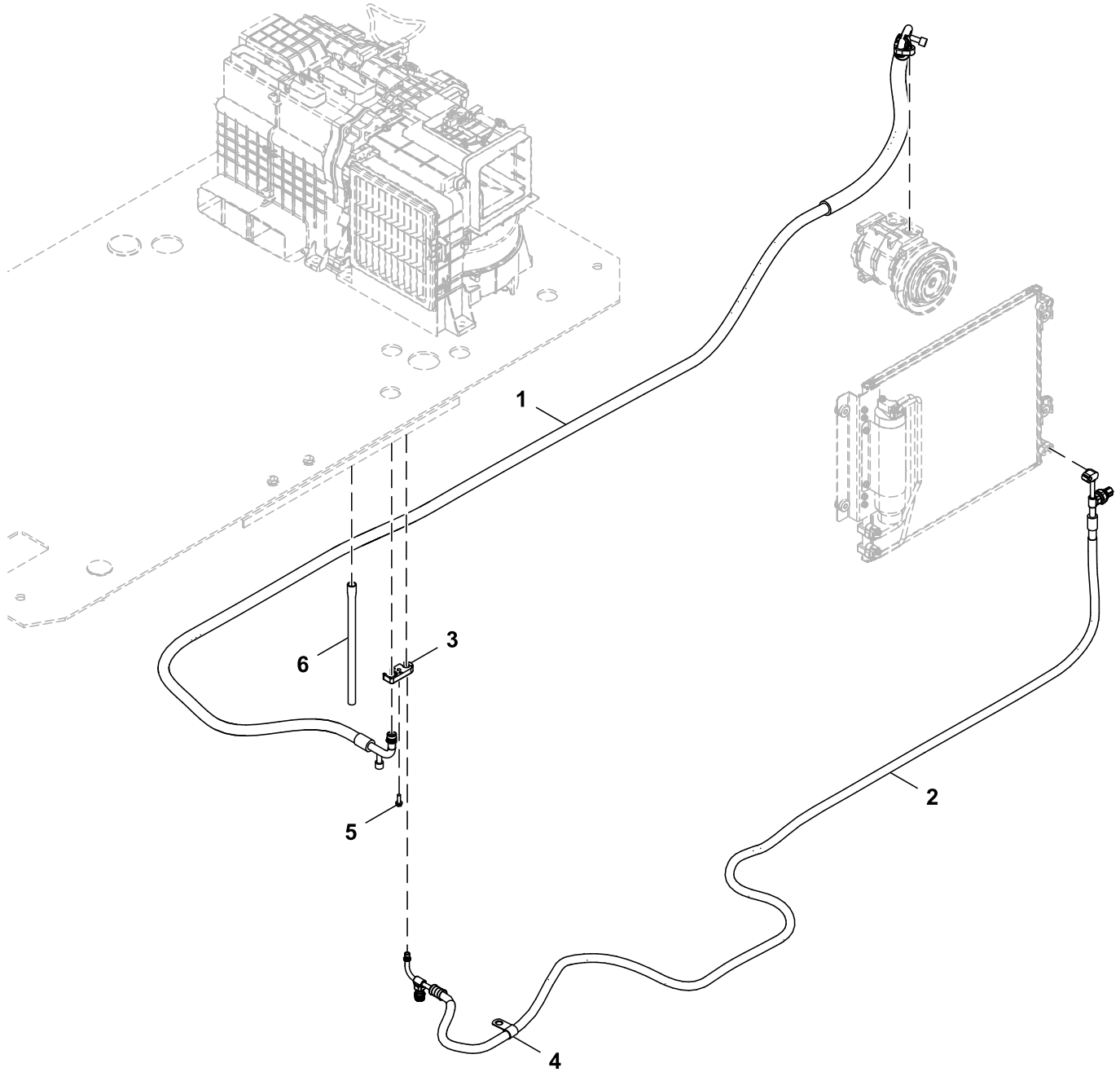
TX1089835

- 1 — 1A, 1B
- 7 — 7A, 7B, 7C

Key	Part No.	Part Name	Qty.	Serial No.	Remarks
1	FYA00041880	Hose	1		SUB FOR 4707784
1A	4297380	O-Ring	2		SUB FOR 4350206
1B	4475235	Cap	2		
2	4632325	Fitting	1		
3	Screw With Washer	1		J260620 NLA
	19M7077	Cap Screw	1		M6 X 20, SUB FOR J900620
	24M7054	Washer	1		6.400 X 12 X 1.600 mm, SUB FOR A590106
5	H77698	Tie Band	3		SUB FOR 4371049
6	4704927	Hose	1		
7	FYA00034464	Hose	1		INCLUDES AT336248, SUB FOR 4713323
7A	AT336248	Pressure Switch	1		INCLUDES 4475346, High/Low Pressure Switch
	4475346	O-Ring	1		
7B	CH11568	Packing	2		SUB FOR 4350187
7C	4475232	Cap	1		
8	R73384	Clamp	1		SUB FOR 4190253

Air Conditioner Compressor and Condenser Hoses (340457 -)

TX1249654 B.1

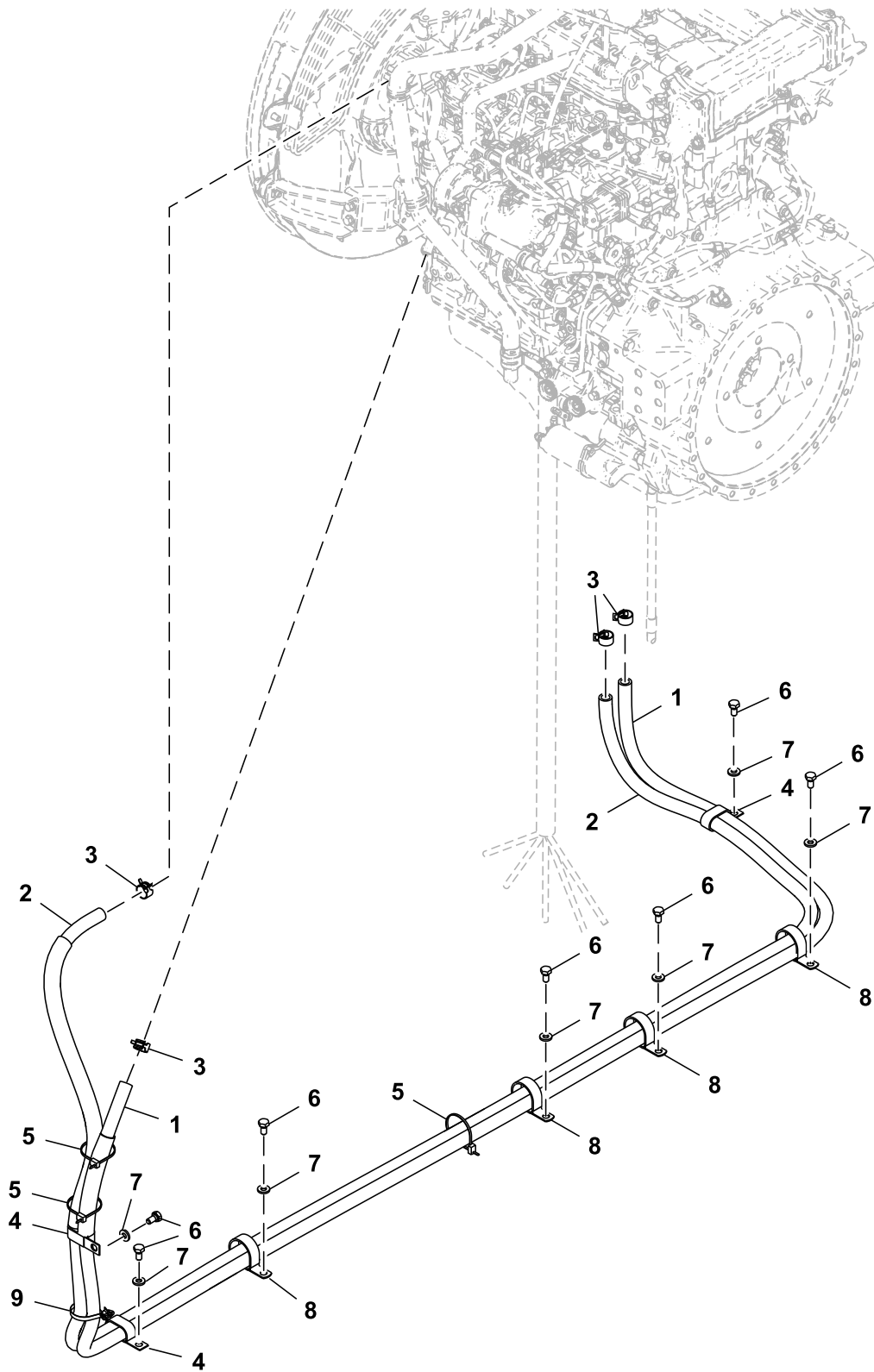


FF551053_TX1249654

Key	Part No.	Part Name	Qty.	Serial No.	Remarks
1	FYA00035213	Hose	1		
2	FYA00034464	Hose	1		INCLUDES AT336248
	AT336248	Pressure Switch	1		INCLUDES 4475346, High/Low Pressure Switch
	4475346	O-Ring	1		
3	4632325	Fitting	1		
4	4190275	Clamp	1		
5	Screw With Washer	1		J260620 NLA
	19M7077	Cap Screw	1		M6 X 20
	24M7054	Washer	1		6.400 X 12 X 1.600 mm

Heater Hoses

TX1186181 B.1

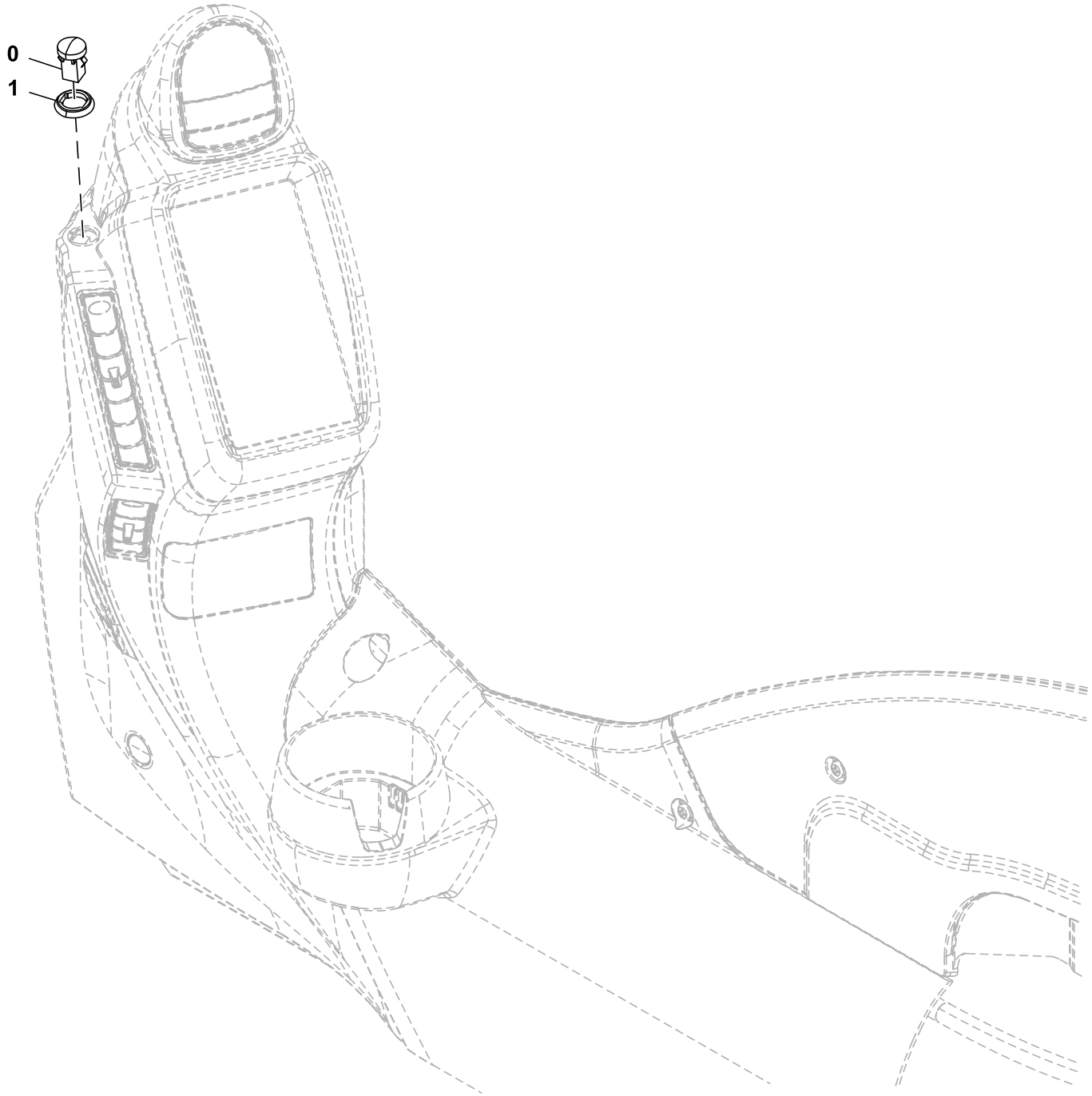


TX1186181

<i>Key</i>	<i>Part No.</i>	<i>Part Name</i>	<i>Qty.</i>	<i>Serial No.</i>	<i>Remarks</i>
1	4717389	Hose	1		ALSO ORDER 4714750, 9320066 NLA, Cold
	4714750	Tube	1		
2	4641564	Hose	1		ALSO ORDER 4657328, 9320068 NLA, Hot
	4657328	Structural Tube	1		
3	4717624	Clip	4		
4	R50454	Clamp	3		SUB FOR 4192034
5	DH400240	Tie Band	3		
6	19M7938	Cap Screw	7		M10 X 20, SUB FOR J901020
7	24M7346	Washer	7		11 X 20 X 2 mm, SUB FOR DH400703
8	N198631	Clamp	4		SUB FOR 4190265
9	4254600	Clip	1		

Air Conditioner (A/C) Solar Sensor

TX1089837 B.1

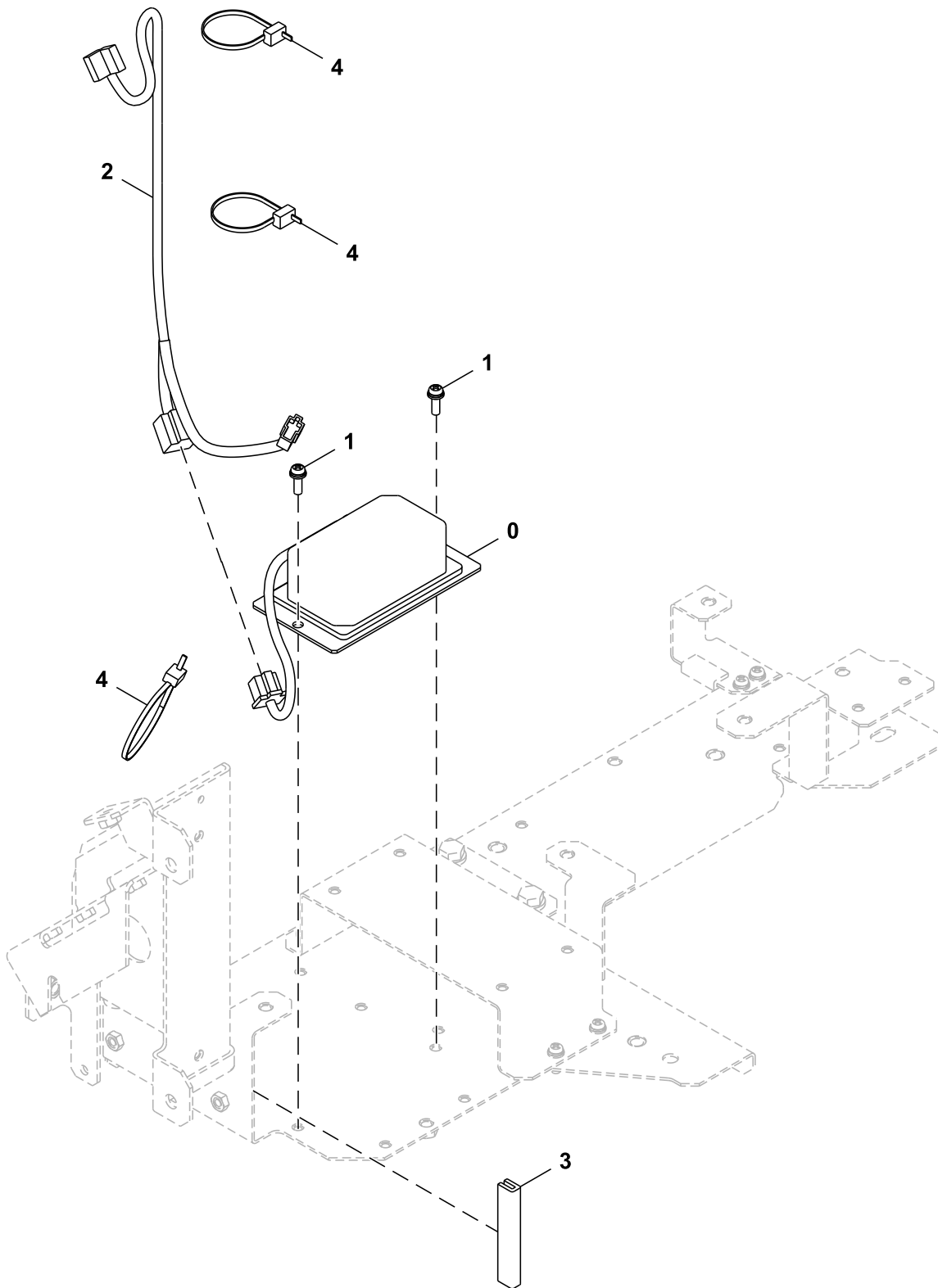


TX1089837

<i>Key</i>	<i>Part No.</i>	<i>Part Name</i>	<i>Qty.</i>	<i>Serial No.</i>	<i>Remarks</i>
0	4405814	Sensor	1		
1	4405194	Spacer	1		Solar

Power Converter, 12 V

DC9323139_TX1088687 B.1

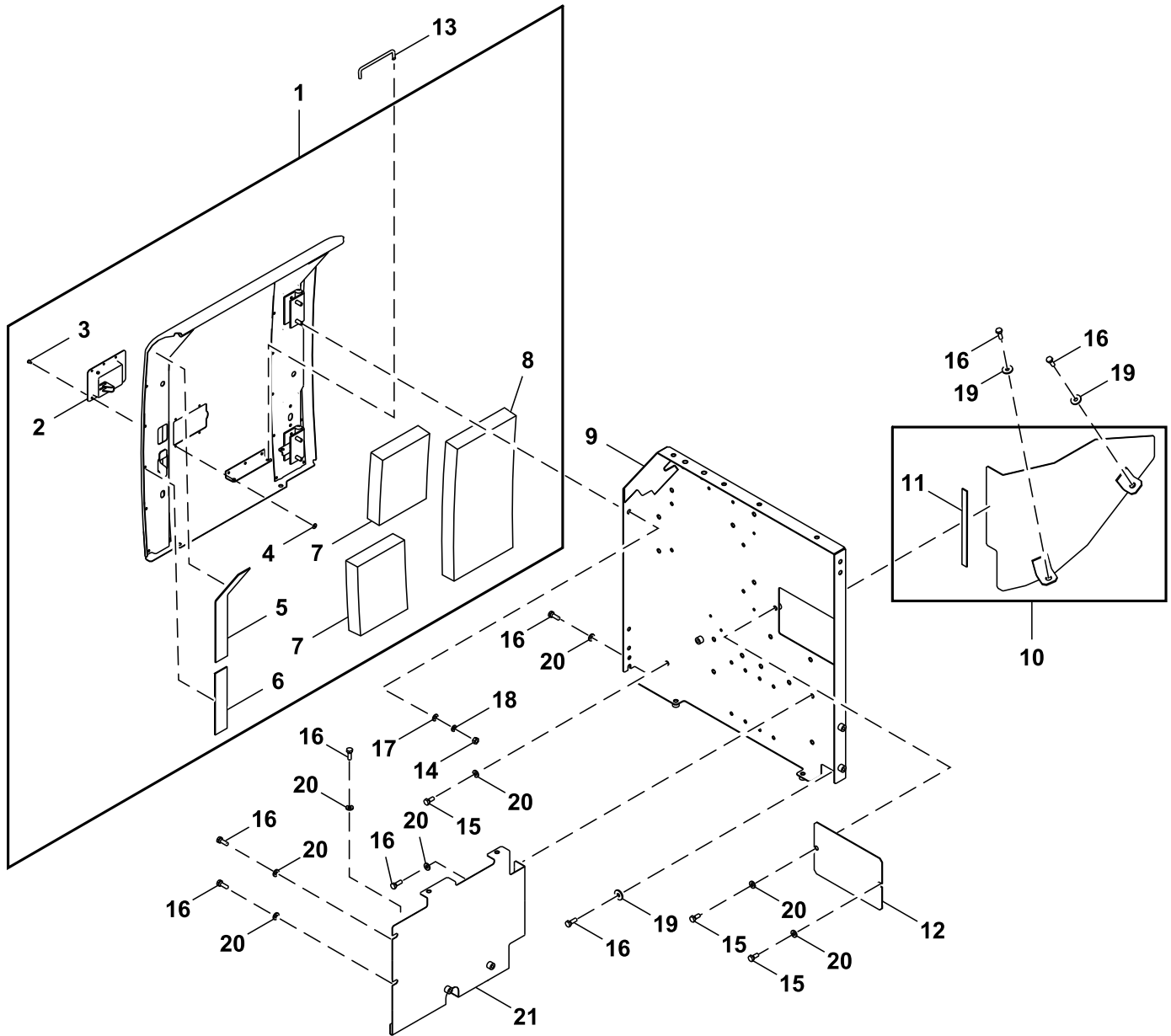


TX1088687

Key	Part No.	Part Name	Qty.	Serial No.	Remarks
0	4450008	Power Supply	1		12 V
1	Screw With Washer	2		J460620 NLA
	21M7267	Screw	2		M6 X 20
	24M7293	Washer	2		6.500 X 13 X 1.600 mm
	12M7006	Lock Washer	2		6 mm
2	3105989	Wiring Harness	1		Power Converter
3	4649377	Isolator	1		
4	H77698	Tie Band	3		SUB FOR 4055312

Storage Compartment Door and Panels (- 340456)

TX1188294 B.2

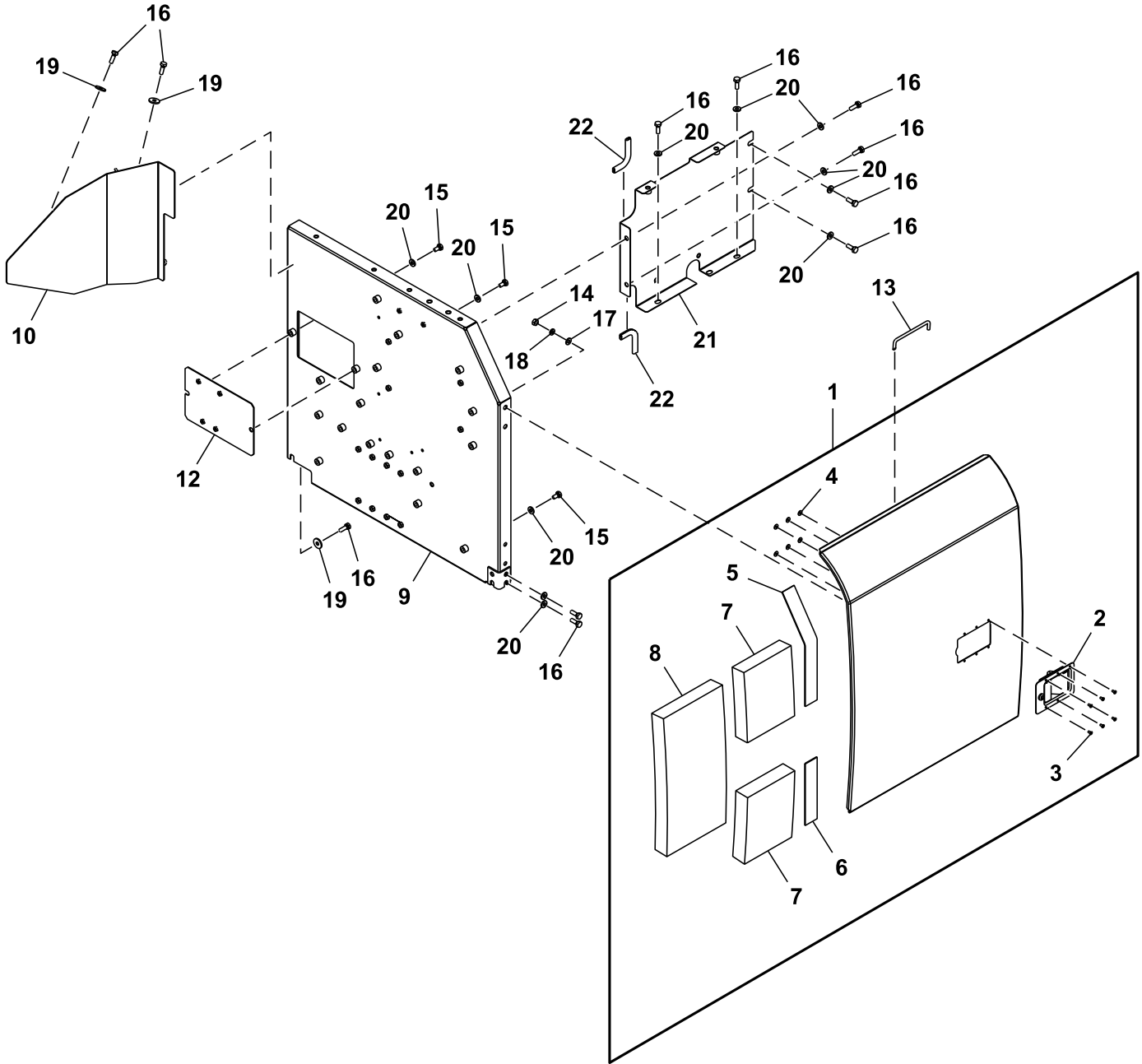


FF531402_TX1188294

Key	Part No.	Part Name	Qty.	Serial No.	Remarks
1	FF508205P	Door	1		
2	DH400030	Latch	1		SUB FOR FF508205
3	M63200	Rivet	6		
4	24M7138	Washer	6		5.300 X 15 X 1 mm
5	4641569	Isolator	1		
6	4654108	Isolator	1		
7	FYA00008944	Sealing Trim	2		
8	FYA00008943	Sealing Trim	1		
9	FF532054	Cover	1		
10	FYA60015748	Cover	1		
11	FYA00005165	Insulator	1		
12	FYA00008586	Cover	1		
13	4639112	Latch	1		
14	14M7274	Nut	4		M10, SUB FOR J950010
15	19M7938	Cap Screw	3		M10 X 20, SUB FOR J901020
16	19M7662	Cap Screw	11		M10 X 30, SUB FOR J901030
17	24M7028	Washer	4		10.500 X 20 X 2 mm, SUB FOR A590110
18	12M7066	Lock Washer	4		10 mm, SUB FOR A590910
19	24M7101	Washer	3		11 X 34 X 3 mm, SUB FOR J217083
20	24M7346	Washer	11		11 X 20 X 2 mm, SUB FOR DH400703
21	FF108265	Cover	1		

Storage Compartment Door and Panels (340457 -)

TX1256177 A.2

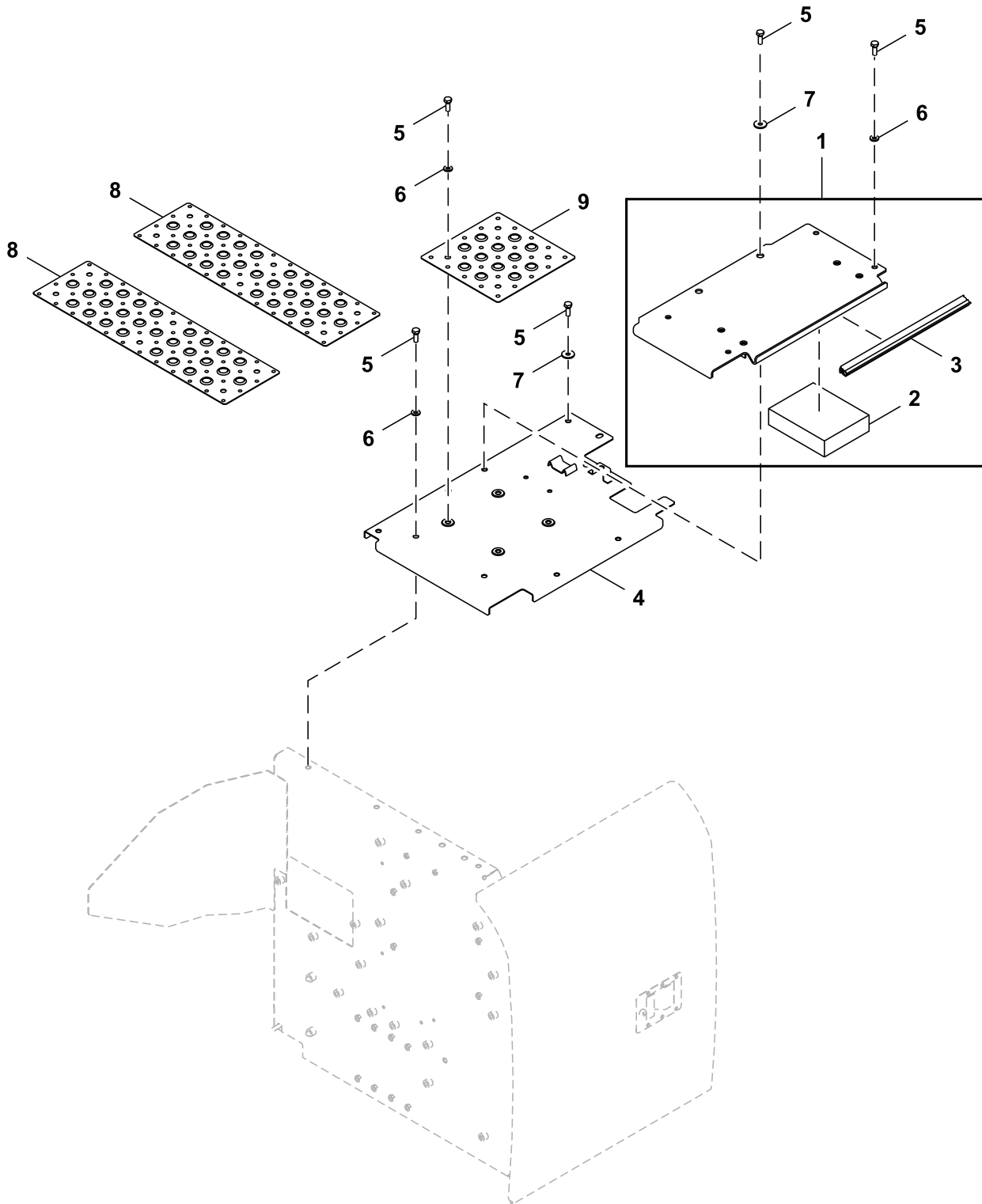


FF551385_TX1256177

Key	Part No.	Part Name	Qty.	Serial No.	Remarks
1	FF508205P	Door	1		Storage Compartment, SUB FOR FF508205
2	DH400030	Latch	1		
3	M63200	Rivet	6		
4	24M7138	Washer	6		5.300 X 15 X 1 mm
5	4641569	Isolator	1		
6	4654108	Isolator	1		
7	FYA00008944	Sealing Trim	2		
8	FYA00008943	Sealing Trim	1		
9	FF532054	Cover	1		
10	FF551650	Cover	1		
12	FF551648	Cover	1		
13	4639112	Latch	1		
14	14M7274	Nut	4		M10, SUB FOR J950010
15	19M7938	Cap Screw	3		M10 X 20, SUB FOR J901020
16	19M7662	Cap Screw	11		M10 X 30, SUB FOR J901030
17	24M7028	Washer	4		10.500 X 20 X 2 mm, SUB FOR A590110
18	12M7066	Lock Washer	4		10 mm, SUB FOR A590910
19	24M7101	Washer	3		11 X 34 X 3 mm, SUB FOR J217083
20	24M7346	Washer	11		11 X 20 X 2 mm, SUB FOR DH400703
21	FF108265	Cover	1		
22	FF512478	Guard	2		

Storage Compartment Top Cover (- 340456)

TX1186511 A.1

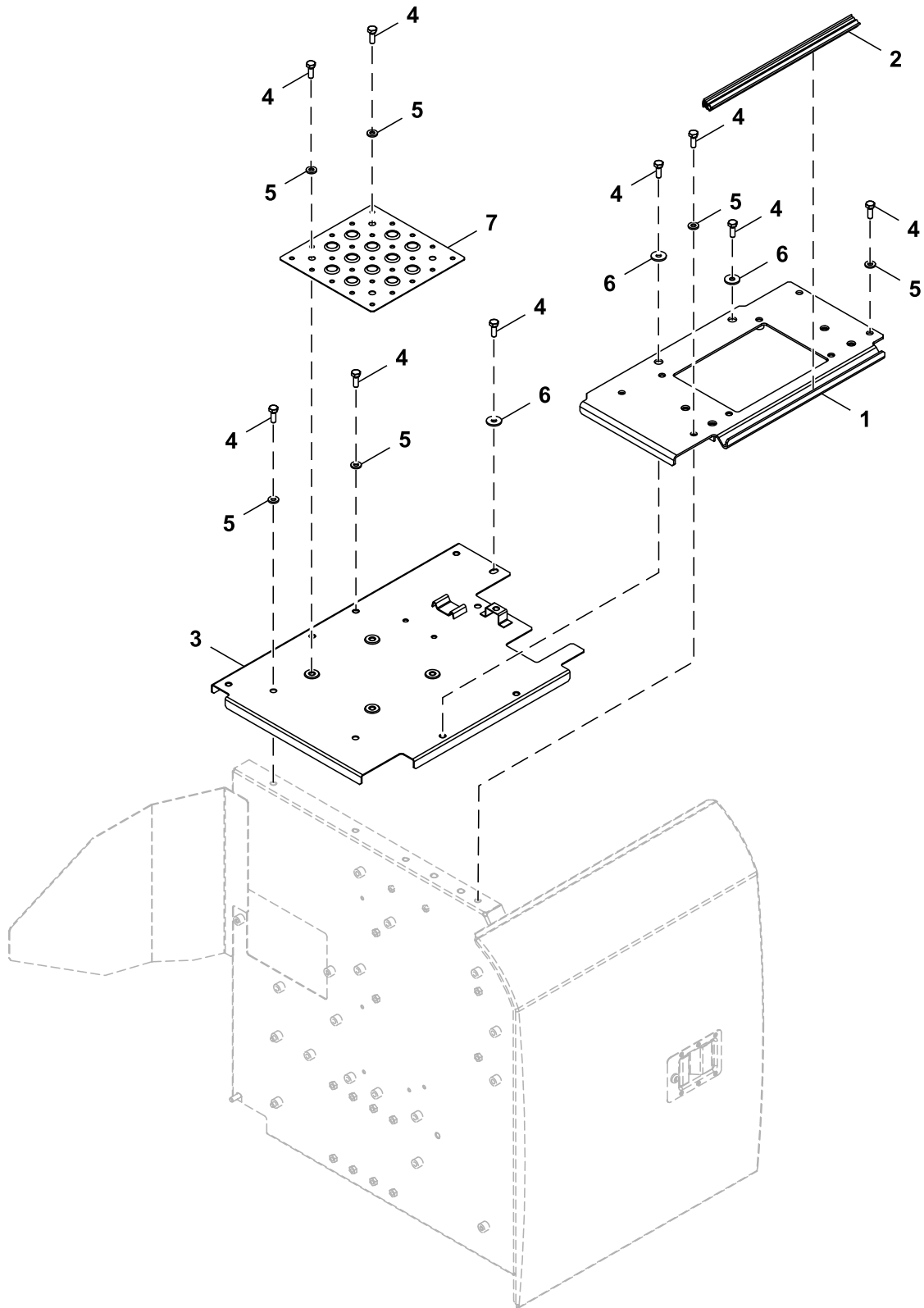


YA60034902_TX1186511

Key	Part No.	Part Name	Qty.	Serial No.	Remarks
1	FYA60034903	Cover	1		
2	FXV00001122	Weatherstrip	1		
3	FYA00030596	Isolator	1		
4	FYA40024517	Cover	1		
5	19M7662	Cap Screw	26		M10 X 30, SUB FOR J901030
6	24M7346	Washer	23		11 X 20 X 2 mm, SUB FOR DH400703
7	24M7101	Washer	3		11 X 34 X 3 mm, SUB FOR J217083
8	FYA00010681	Cover	2		
9	FF531454	Cover	1		

Storage Compartment Top Cover (340457 -)

TX1248967 A.1

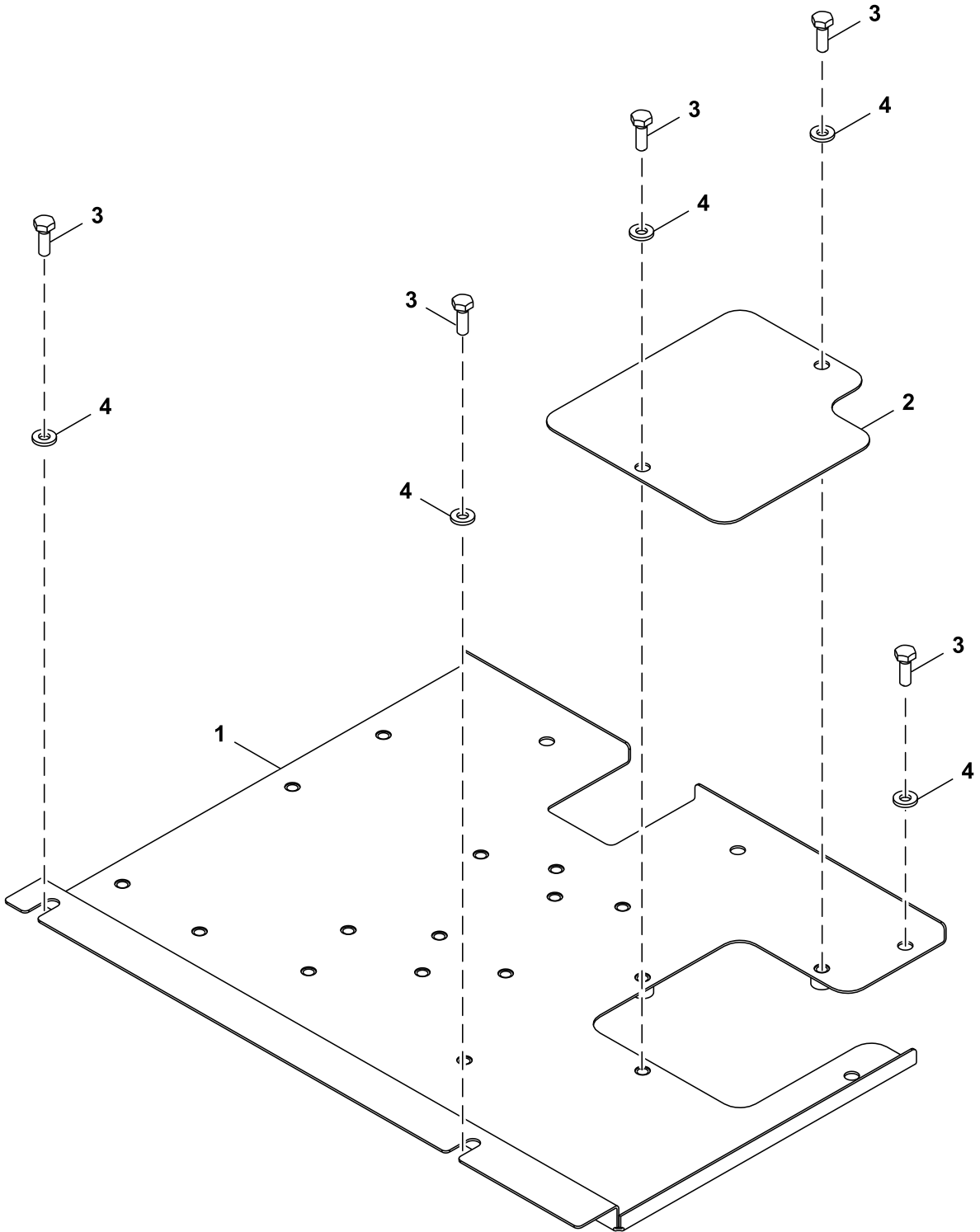


FF551324_TX1248967

Key	Part No.	Part Name	Qty.	Serial No.	Remarks
1	FF551325	Cover	1		
2	FYA00030596	Isolator	1		
3	FYA40024517	Cover	1		
4	19M7662	Cap Screw	14		M10 X 30, SUB FOR J901030
5	24M7346	Washer	11		11 X 20 X 2 mm, SUB FOR DH400703
6	24M7101	Washer	3		11 X 34 X 3 mm, SUB FOR J217083
7	FF531454	Cover	1		

Storage Compartment Floor Cover (- 340456)

TX1186506 A.1

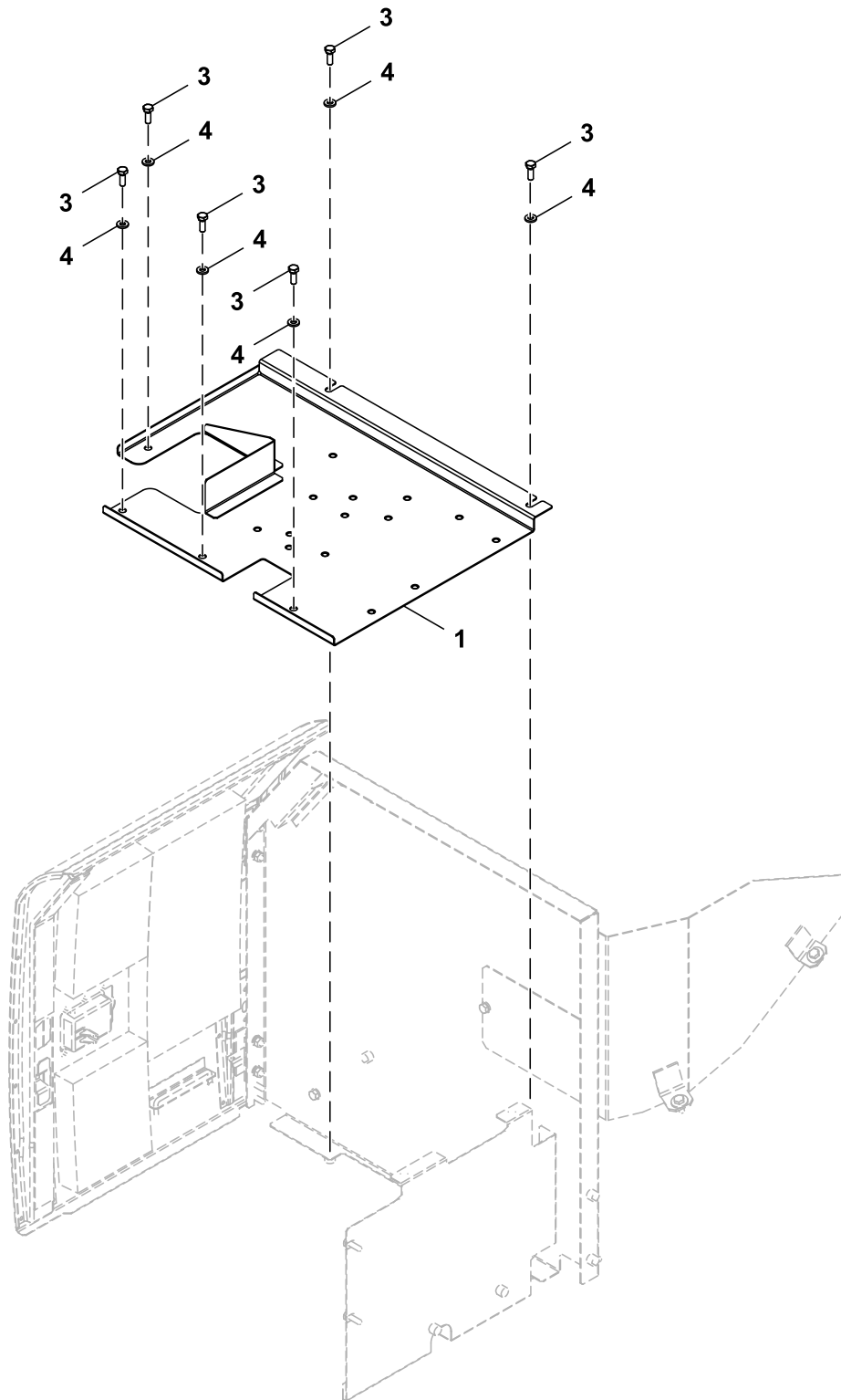


FF531458_TX1186506

Key	Part No.	Part Name	Qty.	Serial No.	Remarks
1	FF531583	Cover	1		
2	FF531584	Cover	1		
3	19M7662	Cap Screw	8		M10 X 30, SUB FOR J901030
4	24M7346	Washer	8		11 X 20 X 2 mm, SUB FOR DH400703

Storage Compartment Floor Cover (340457 -)

TX1249660 A.1

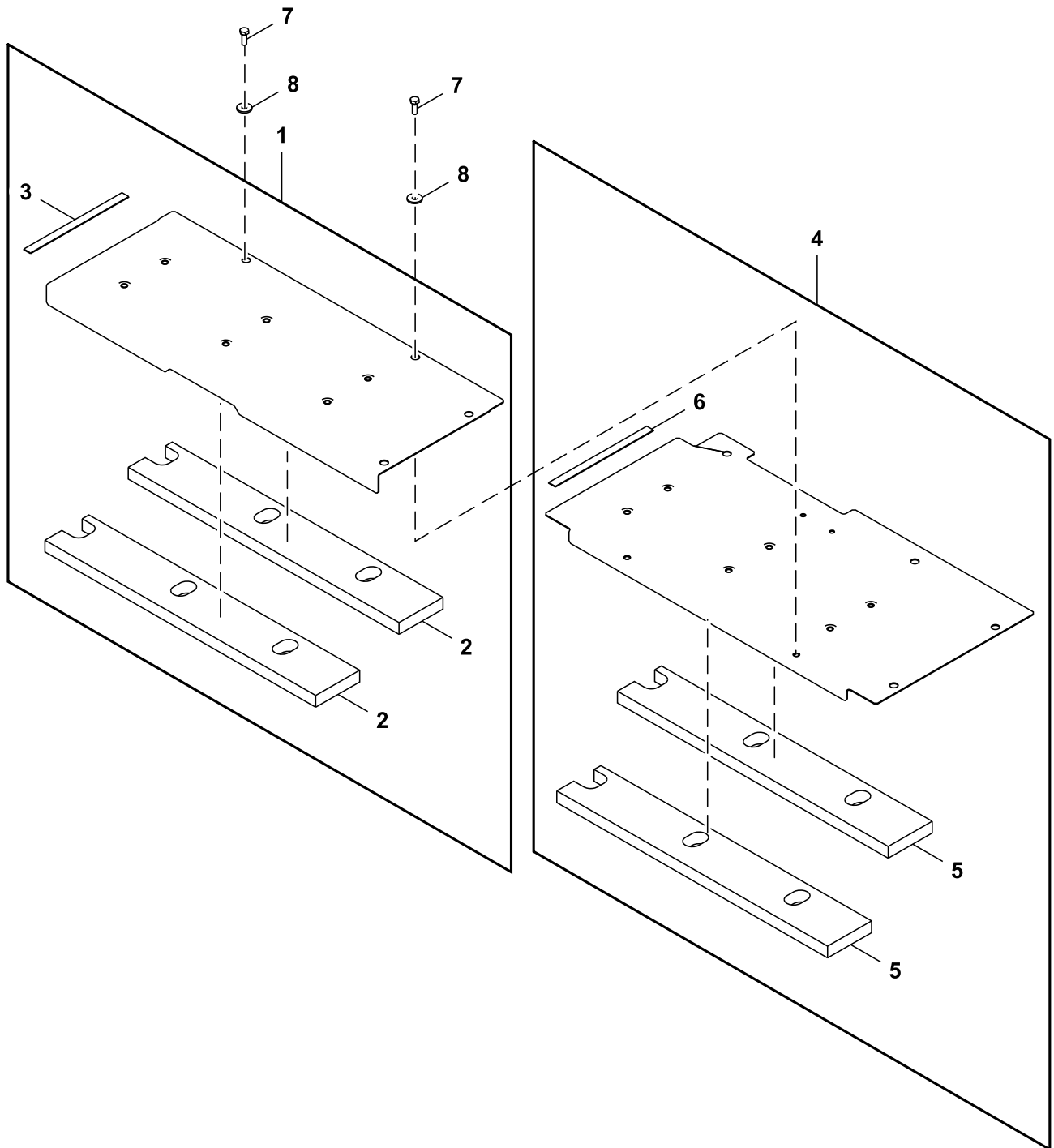


FF550666_TX1249660

Key	Part No.	Part Name	Qty.	Serial No.	Remarks
1	FF550667	Cover	1		
3	19M7662	Cap Screw	6		M10 X 30, SUB FOR J901030
4	24M7346	Washer	6		11 X 20 X 2 mm, SUB FOR DH400703

Control Valve Covers (- 340040)

TX1186514 D.1

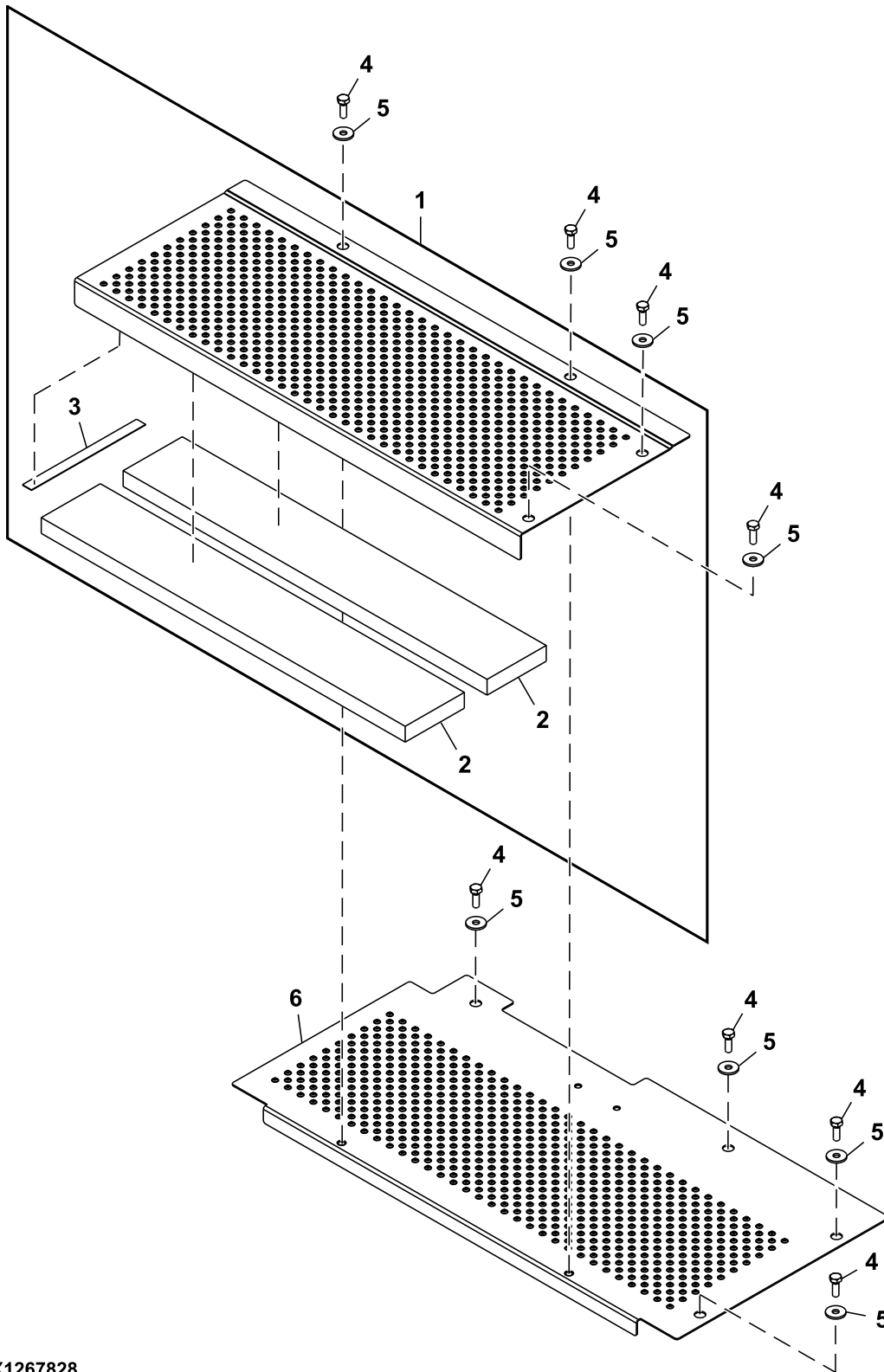


YA60027831_TX1186514

Key	Part No.	Part Name	Qty.	Serial No.	Remarks
1	FYA60027828	Cover	1		
2	FYA00009418	Isolator	2		
3	4452973	Sealing Trim	1		
4	FYA60027829	Cover	1		
5	FYA00009418	Isolator	2		
6	4452973	Sealing Trim	1		
7	19M7662	Cap Screw	8		M10 X 30, SUB FOR J901030
8	24M7101	Washer	8		11 X 34 X 3 mm, SUB FOR J217083

Control Valve Covers (340041 -)

TX1267828 A.1

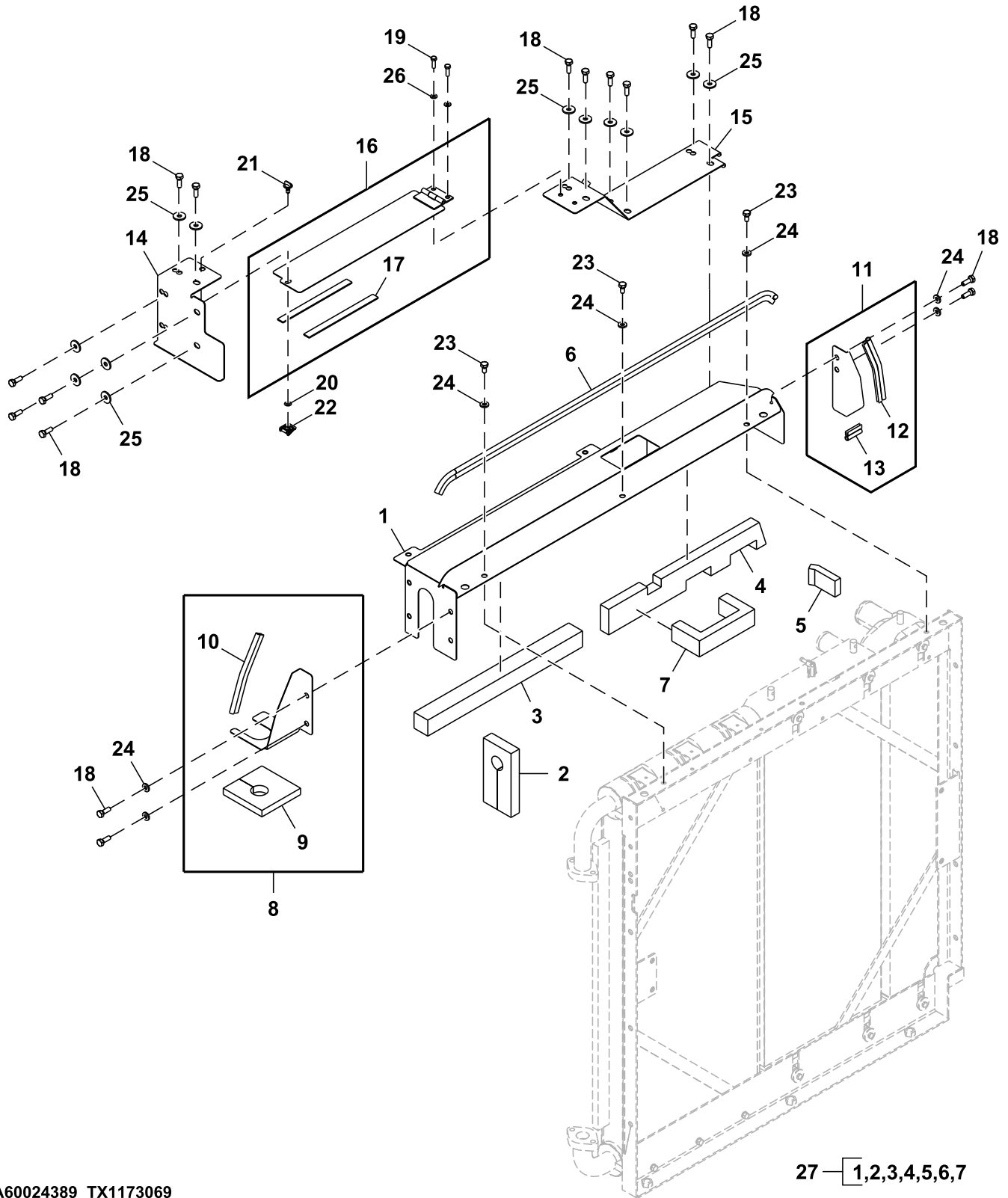


FF534034_TX1267828

Key	Part No.	Part Name	Qty.	Serial No.	Remarks
1	FF534035	Cover	1		
2	FF534066	Isolator	2		
3	4397092	Isolator	1		
4	19M7662	Cap Screw	8		M10 X 30, SUB FOR J901030
5	24M7101	Washer	8		11 X 34 X 3 mm, SUB FOR J217083
6	FF535572	Cover	1		

Cooling Package Top Covers

YA60024389_TX1173069 C.1

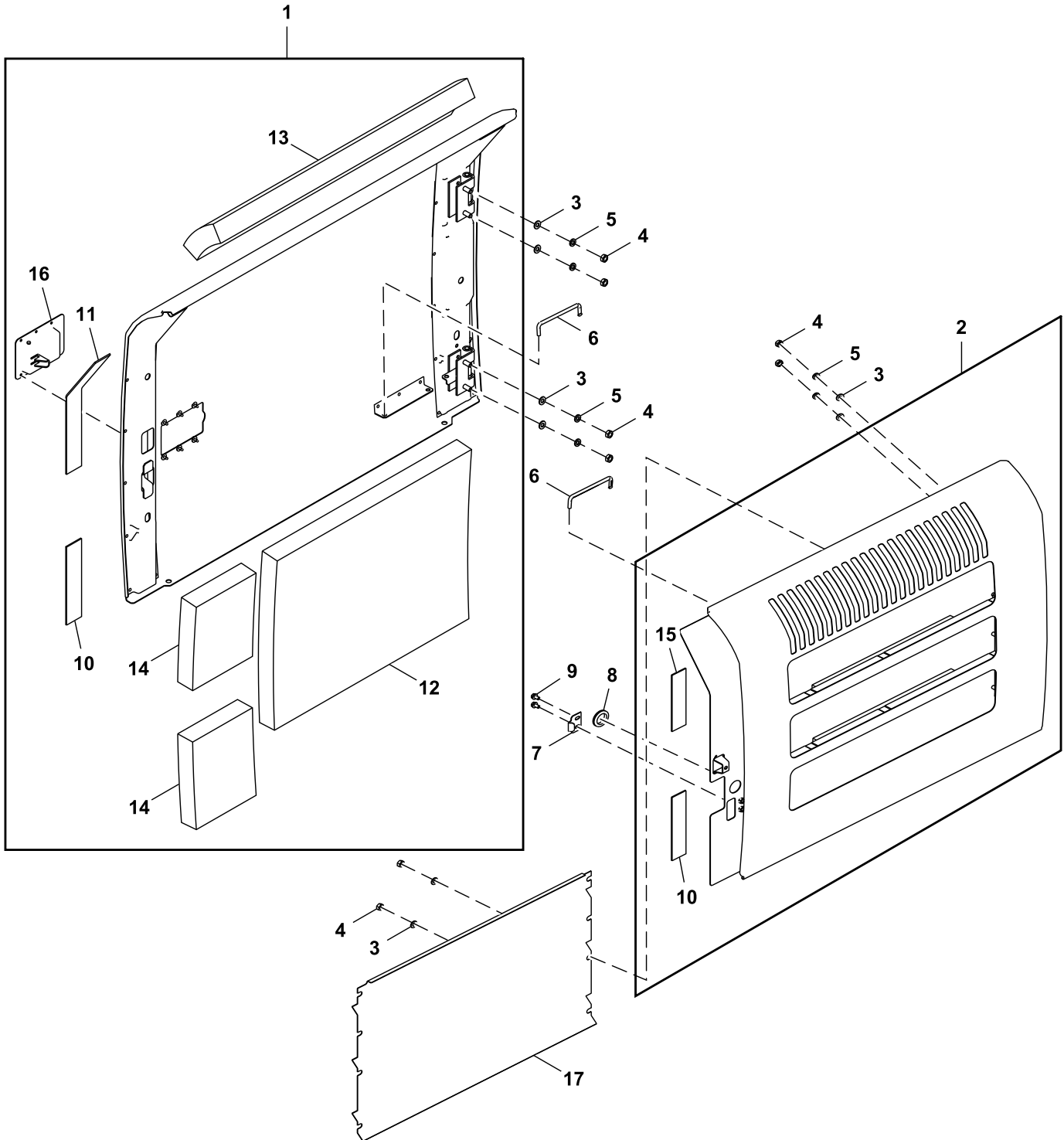


YA60024389_TX1173069

Key	Part No.	Part Name	Qty.	Serial No.	Remarks
1	Cover	1		FYA40021448 NSEP, ORDER FYA60009917
	FYA60009917	Cover	1		
2	FYA00035289	Seal	1		SUB FOR FYA00025058
3	FXV00000848	Weatherstrip	1		
4	FYA00005154	Weatherstrip	1		
5	FXV00000849	Weatherstrip	1		
6	FXV00000815	Sealing Trim	1		
7	FYA00029805	Weatherstrip	1		
8	FYA60035871	Cover	1		
9	FYA00038645	Seal	1		
10	4629513	Sealing Trim	1		SUB FOR 4711577
11	FYA60019683	Cover	1		
12	4629513	Sealing Trim	1		SUB FOR 4711577
13	4447541	Isolator	1		
14	FYA00034026	Bracket	1		
15	FYA40021444	Cover	1		
16	9772536	Cover	1		
17	4651486	Isolator	2		
18	19M7662	Cap Screw	16		M10 X 30, SUB FOR J901030
19	19M7407	Cap Screw	2		M8 X 25, SUB FOR J900825
20	FF510793	Retainer	1		
21	FF510790	Stud	1		
22	FF510794	Clip	1		
23	19M7938	Cap Screw	3		M10 X 20, SUB FOR J901020
24	24M7346	Washer	7		11 X 20 X 2 mm, SUB FOR DH400703
25	24M7101	Washer	12		11 X 34 X 3 mm, SUB FOR J217083
26	24M7055	Washer	2		8.400 X 16 X 1.600 mm, SUB FOR A590108
27	FYA60009917	Cover	1		

Cooling Package and Hydraulic Pump Compartment Doors (- XXXXXX)

TX1200270 C.1

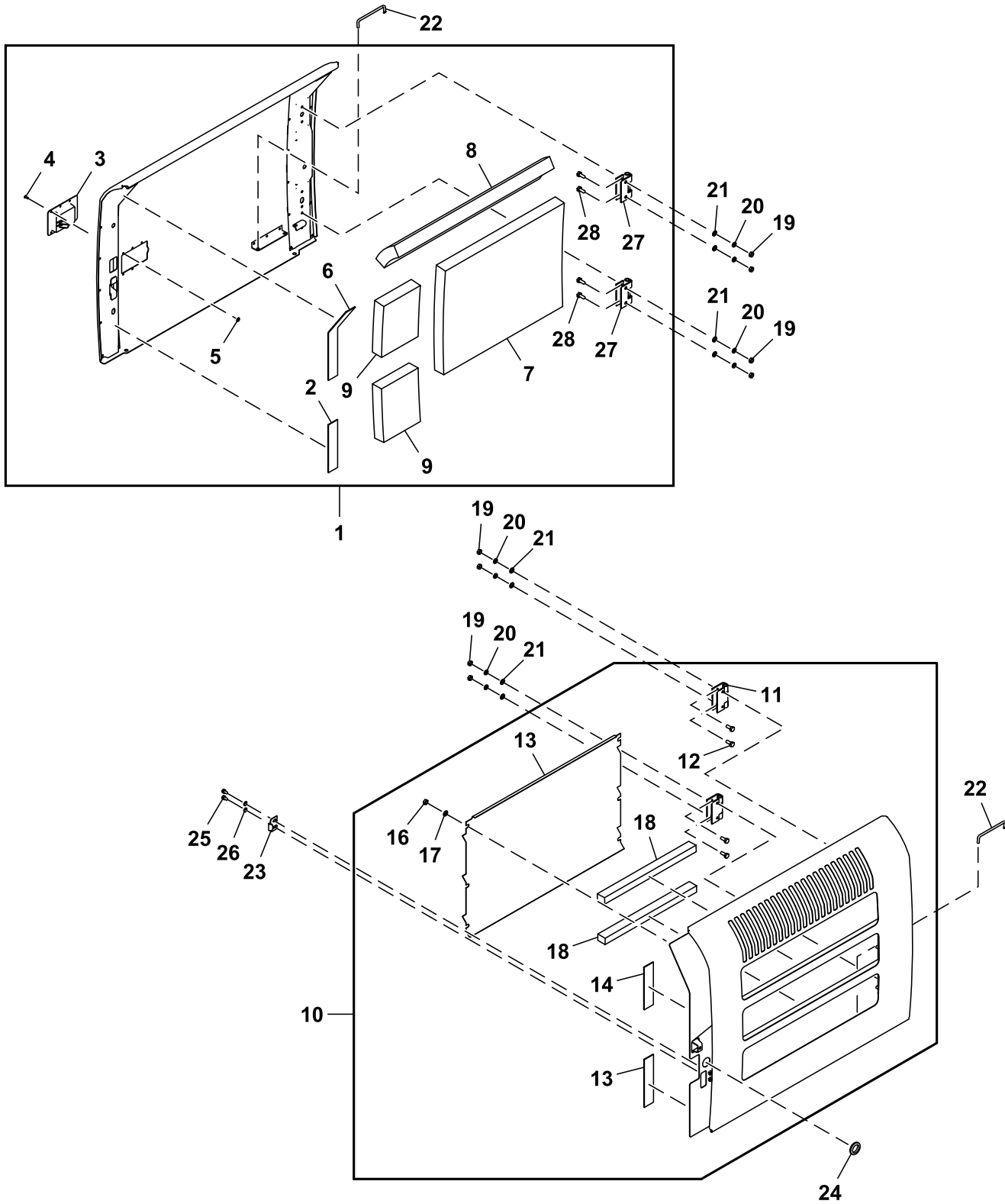


FF534021_TX1200270

Key	Part No.	Part Name	Qty.	Serial No.	Remarks
1	FF508144	Door	1		Hydraulic Pump
2	FF533945	Door	1		SUB FOR FF534022, Cooling Package
3	24M7028	Washer	8		10.500 X 20 X 2 mm, SUB FOR A590110
4	14M7274	Nut	8		M10, SUB FOR J950010
5	12M7066	Lock Washer	6		10 mm, SUB FOR A590910
6	4639112	Latch	2		
7	4642167	Stop	1		
8	H210728	Grommet	1		SUB FOR 4211059
9	Screw With Washer	2		J260816 NLA
	19M7162	Cap Screw	2		M8 X 16, SUB FOR J900816
	24M7055	Washer	2		8.400 X 16 X 1.600 mm, SUB FOR A590108
10	4654108	Isolator	2		
11	4641569	Isolator	1		
12	FYA00008587	Sealing Trim	1		
13	Seal	1		FYA00020516 NLA, SUB FOR FYA00008585 AND FF510841
14	FYA00008588	Sealing Trim	2		
15	4716056	Isolator	1		
16	DH400030	Latch	1		
	T151857	Lock	1		
17	FYA00040917	Cover	1		

Cooling Package and Hydraulic Pump Compartment Doors (XXXXXX -)

TX1236395 A.1

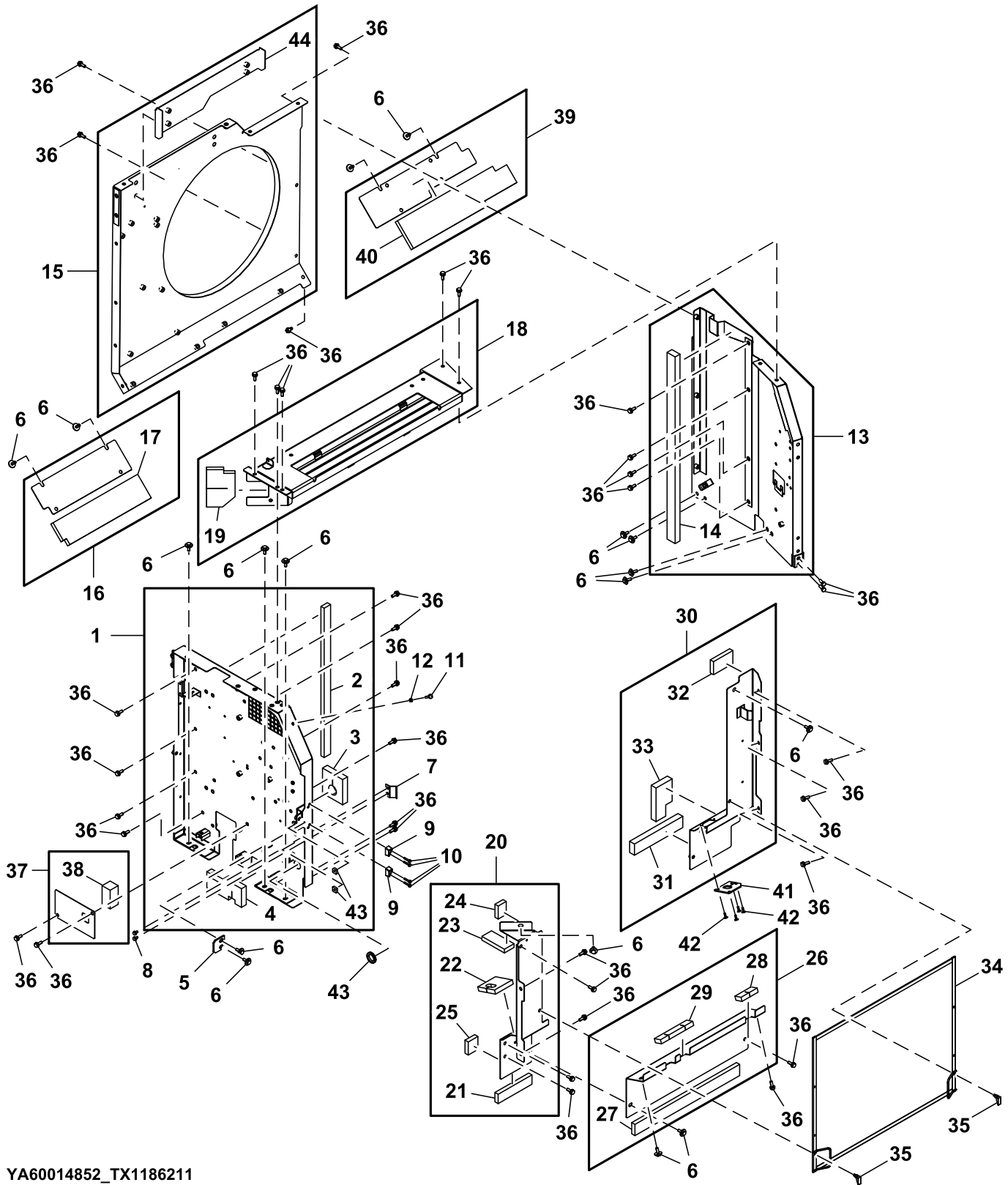


FF533944_TX1236395

Key	Part No.	Part Name	Qty.	Serial No.	Remarks
1	FF508144	Door	1		
2	4654108	Isolator	1		
3	DH400030	Latch	1		
4	M63200	Rivet	6		
5	24M7138	Washer	6		5.300 X 15 X 1 mm
6	4641569	Isolator	1		
7	FYA00008587	Sealing Trim	1		
8	FYA00020516	Seal	2		SUB FOR FYA00008585
9	FYA00008588	Sealing Trim	2		
10	FF533945	Door	1		
11	3104320	Hinge	2		
12	19M7402	Cap Screw	4		M10 X 25, SUB FOR J921025
13	4654108	Isolator	1		
14	4716056	Isolator	1		
15	3122103	Cover	1		
16	14M7274	Nut	6		M10, SUB FOR J950010
17	24M7028	Washer	6		10.500 X 20 X 2 mm, SUB FOR A590110
18	FXV00001092	Isolator	2		
19	24M7028	Washer	8		10.500 X 20 X 2 mm, SUB FOR A590110
20	14M7274	Nut	8		M10, SUB FOR J950010
21	12M7066	Lock Washer	8		10 mm, SUB FOR A590910
22	4639112	Latch	2		
23	4642167	Stop	1		
24	H210728	Grommet	1		SUB FOR 4211059
25	19M7162	Cap Screw	2		M8 X 16, SUB FOR J900816
26	24M7055	Washer	2		8.400 X 16 X 1.600 mm, SUB FOR A590108
27	3104320	Hinge	1		
28	19M7402	Cap Screw	4		M10 X 25, SUB FOR J921025

Cooling Package Compartment Panels

TX1186211 D.1

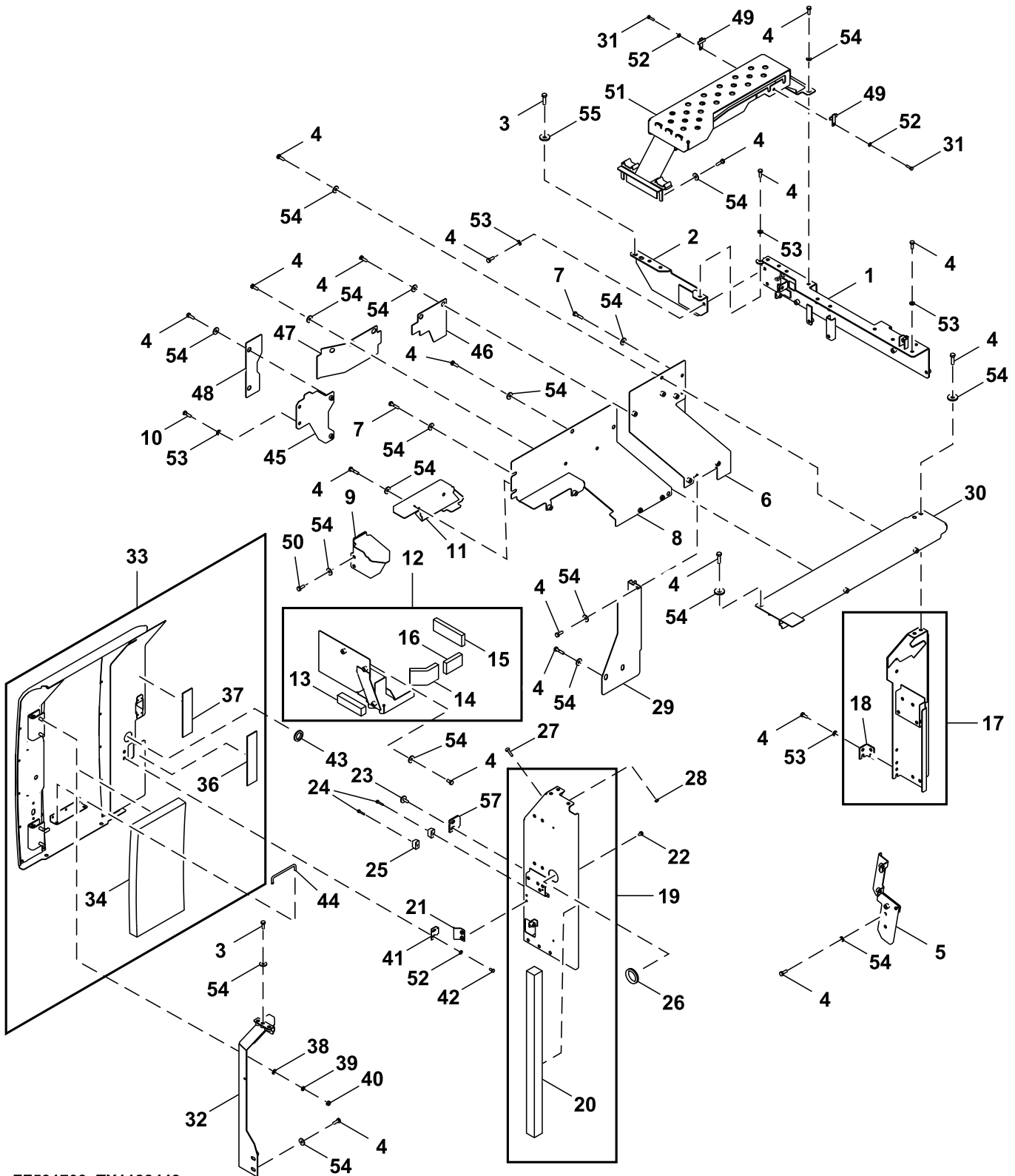


YA60014852_TX1186211

Key	Part No.	Part Name	Qty.	Serial No.	Remarks
1	FYA60024076	Cover	1		
2	FXV00001646	Weatherstrip	1		
3	FYA00035095	Weatherstrip	1		
4	FYA00034808	Weatherstrip	1		
5	4638905	Stop	1		
6	Screw With Washer	17		J281030 NLA
	19M7662	Cap Screw	17		M10 X 30, SUB FOR J901030
	4486055	Washer	17		
7	4719469	Stop	1		SUB FOR 9765335
8	Screw With Washer	2		J260816 NLA
	19M7162	Cap Screw	2		M8 X 16
	24M7055	Washer	2		8.400 X 16 X 1.600 mm
9	4652573	Stop	2		
10	Screw With Washer	4		J260635 NLA
	24M7054	Washer	4		6.400 X 12 X 1.600 mm, SUB FOR A590106
	19M7177	Cap Screw	4		M6 X 35, SUB FOR J900635
11	4642575	Isolator	1		
12	14M7273	Nut	1		M8, SUB FOR J950008
13	FYA60024078	Cover	1		
14	FXV00000905	Weatherstrip	1		
15	FYA40017533	Cover	1		
16	FYA60031004	Cover	1		
17	FYA00035098	Weatherstrip	1		
18	FYA60030283	Cover	1		
19	FYA00035115	Isolator	1		
20	FYA60031006	Cover	1		
21	FXV00000886	Weatherstrip	1		
22	FYA00035602	Seal	1		
23	FXV00000889	Weatherstrip	1		
24	FXV00000883	Seal	1		
25	FXV00000888	Isolator	1		
26	FYA60031007	Cover	1		
27	FXV00000891	Weatherstrip	1		
28	FYA00035284	Isolator	1		
29	FYA00035603	Isolator	1		
30	FYA60031005	Cover	1		
31	FXV00000906	Isolator	1		
32	FXV00000999	Isolator	1		
33	FYA00035605	Isolator	1		
34	7059085	Net Wrap	1		
35	4691142	Lock	2		
36	Screw With Washer	51		J271030 NLA
	19M7662	Cap Screw	51		M10 X 30, SUB FOR J901030
	24M7346	Washer	51		11 X 20 X 2 mm
37	FYA60020242	Cover	1		
38	FXV00001104	Weatherstrip	1		
39	FYA60022763	Cover	1		
40	FYA00030385	Weatherstrip	1		
41	FYA00038415	Plate	1		
42	4443487	Clip	4		
43	H210728	Grommet	3		SUB FOR 4211059
44	FYA40013074	Bracket	1		

Hydraulic Pump Compartment Panels

TX1188448 D.1



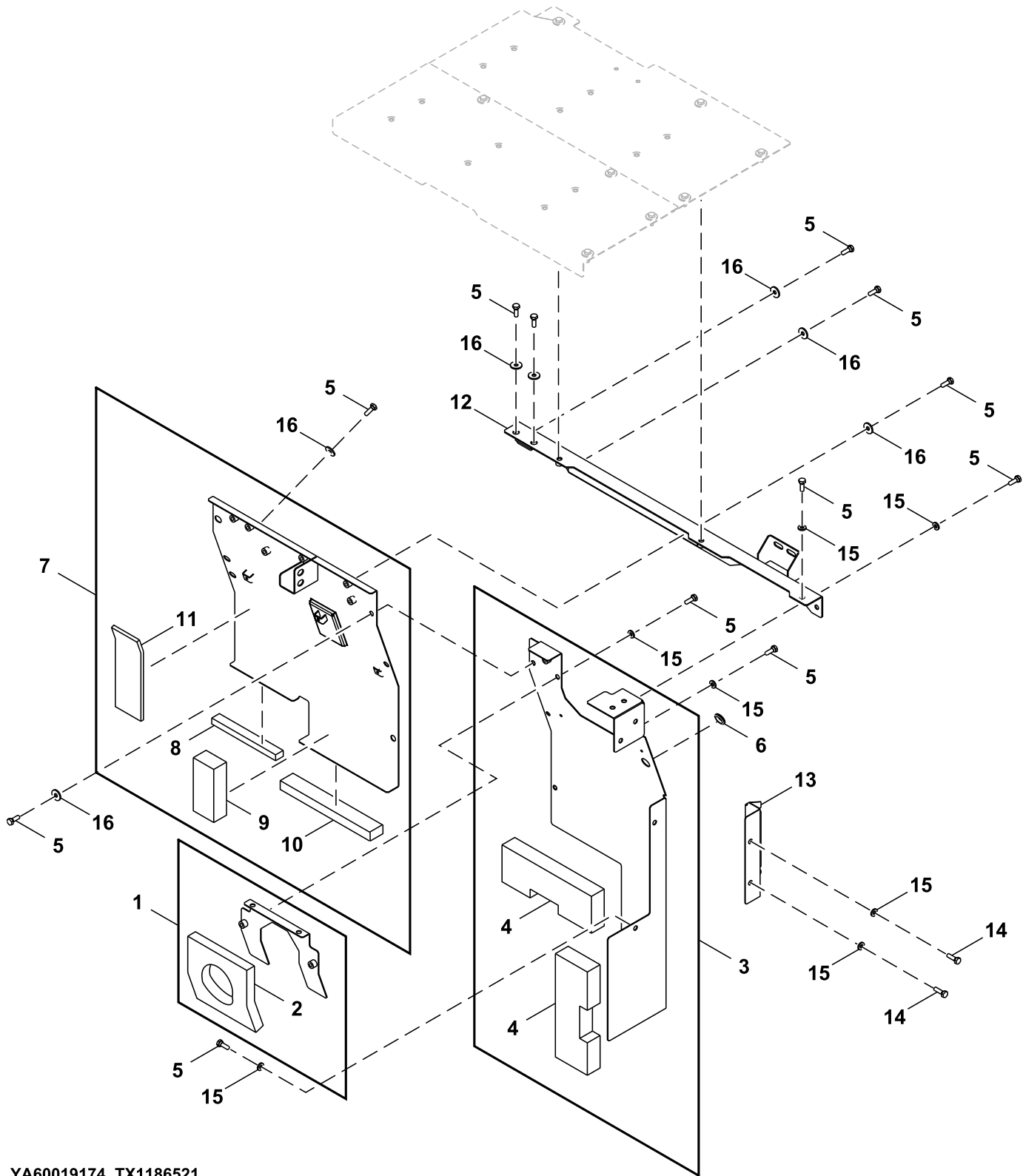
FF531703_TX1188448

**19 Sheet Metal and Styling
1910 Hood Or Engine Enclosure**

Key	Part No.	Part Name	Qty.	Serial No.	Remarks
1	FYA40022815	Support	1		
2	FYA40022814	Support	1		
3	19M8011	Cap Screw	2		M12 X 30, SUB FOR J901230
4	19M7662	Cap Screw	44		M10 X 30, SUB FOR J901030
5	FYA40025150	Bracket	1		
6	FF531351	Cover	1		SUB FOR FYA40023156
7	19M7572	Cap Screw	4		M10 X 45, SUB FOR J901045
8	FYA40025168	Cover	1		
9	FYA40025169	Cover	1		
10	19M7402	Cap Screw	2		M10 X 25, SUB FOR J901025
11	FYA40023160	Cover	1		
12	FYA60032338	Cover	1		
13	FXV00001030	Weatherstrip	1		
14	FXV00001003	Isolator	1		
15	FXV00001152	Isolator	1		
16	FXV00001151	Isolator	1		
17	FYA40017971	Cover	1		
18	4702430	Plate	1		
19	FYA60023723	Cover	1		
20	FXV00000930	Weatherstrip	1		SUB FOR 4656521
21	4719469	Stop	1		SUB FOR 9765335
22	Screw With Washer	2		J260816 NLA
	19M7162	Cap Screw	2		M8 X 16
	24M7055	Washer	2		8.400 X 16 X 1.600 mm
23	Screw With Washer	2		J281030 NLA
	19M7662	Cap Screw	2		M10 X 30, SUB FOR J901030
	4486055	Washer	2		
24	Screw With Washer	4		J260635 NLA
	24M7054	Washer	4		6.400 X 12 X 1.600 mm, SUB FOR A590106
	19M7177	Cap Screw	4		M6 X 35, SUB FOR J900635
25	4652573	Stop	2		
26	4346714	Bushing	1		
27	4642575	Isolator	1		
28	14M7273	Nut	1		M8, SUB FOR J950008
29	FF533059	Cover	1		
30	FYA40017972	Cover	1		
31	19M7288	Cap Screw	2		M8 X 30, SUB FOR J900830
32	FYA40010861	Support	1		
33	FF531712	Door	1		
34	FXV00000213	Isolator	1		
36	4654108	Isolator	1		
37	4716056	Isolator	1		
38	24M7028	Washer	4		10.500 X 20 X 2 mm, SUB FOR A590110
39	12M7066	Lock Washer	4		10 mm, SUB FOR A590910
40	14M7274	Nut	4		M10, SUB FOR J950010
41	4642167	Stop	1		
42	19M7162	Cap Screw	2		M8 X 16, SUB FOR J900816
43	H210728	Grommet	1		SUB FOR 4211059
44	4639112	Latch	1		
45	FF531373	Cover	1		
46	FF533062	Plate	1		
47	FF533056	Plate	1		
48	FF533058	Plate	1		
49	FF532362	Bracket	2		
50	19M7550	Cap Screw	2		M10 X 35, SUB FOR J901035
51	FF532349	Support	1		
52	24M7055	Washer	4		8.400 X 16 X 1.600 mm, SUB FOR A590108
53	24M7346	Washer	11		11 X 20 X 2 mm, SUB FOR DH400703
54	24M7101	Washer	41		11 X 34 X 3 mm, SUB FOR J217083
55	24H1748	Washer	2		1/2" X 1-1/4" X 0.105", SUB FOR Z449490
57	4638905	Stop	1		

Engine Compartment Panels

TX1186521 B.1

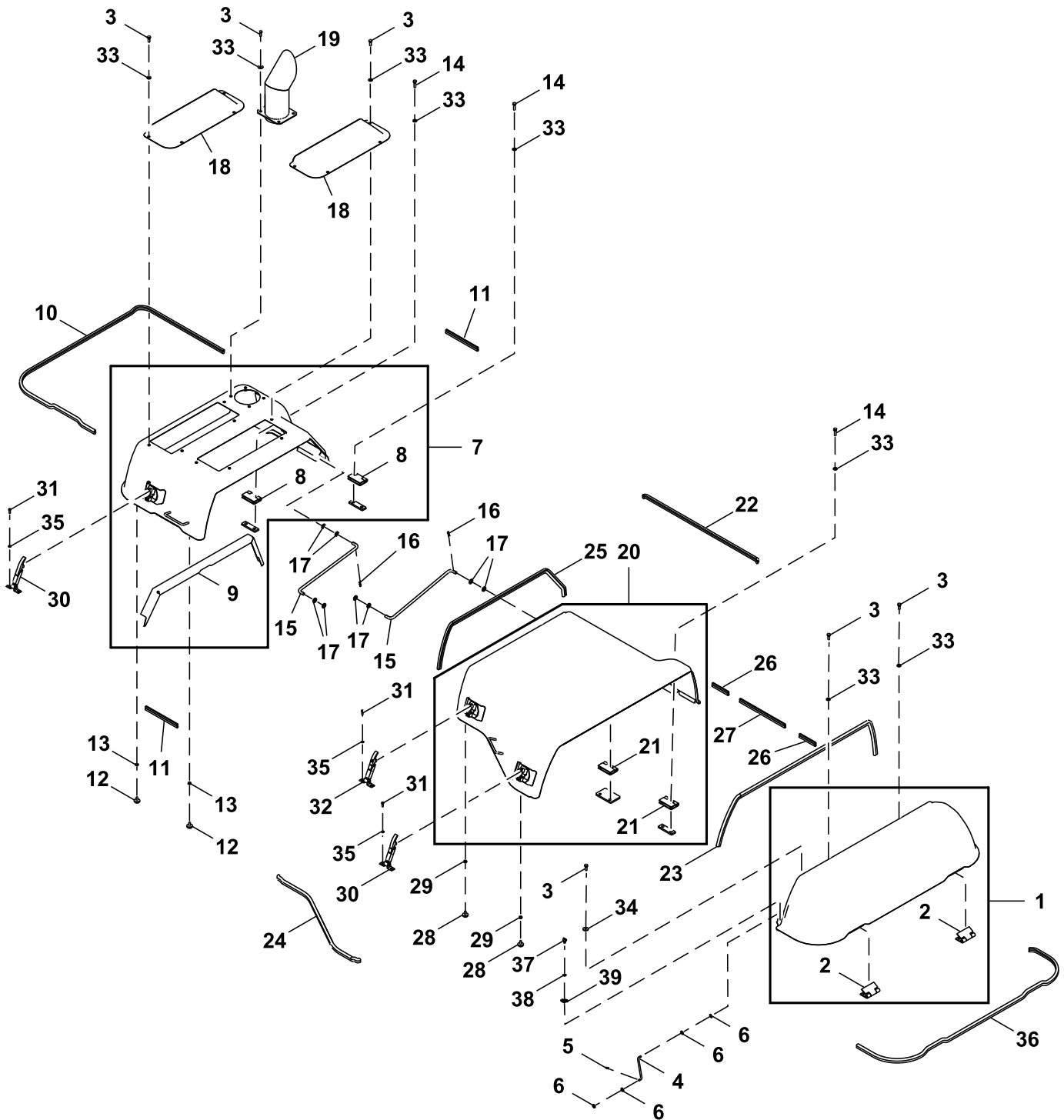


YA60019174_TX1186521

Key	Part No.	Part Name	Qty.	Serial No.	Remarks
1	FYA60031023	Cover	1		
2	FYA00035094	Weatherstrip	1		
3	FYA60035843	Cover	1		
4	FYA00016720	Isolator	2		
5	19M7662	Cap Screw	19		M10 X 30, SUB FOR J901030
6	4313586	Bushing	1		
7	FYA60045614	Cover	1		SUB FOR FYA60018042
8	FXV00000864	Weatherstrip	1		
9	FXV00000863	Weatherstrip	1		
10	FXV00000862	Weatherstrip	1		
11	FXV00000865	Weatherstrip	1		
12	FYA40021446	Support	1		
13	FYA00038207	Cover	1		
14	19M7550	Cap Screw	2		M10 X 35, SUB FOR J901035
15	24M7346	Washer	11		11 X 20 X 2 mm, SUB FOR DH400703
16	24M7101	Washer	10		11 X 34 X 3 mm, SUB FOR J217083

Engine Cover

TX1173773 C.1

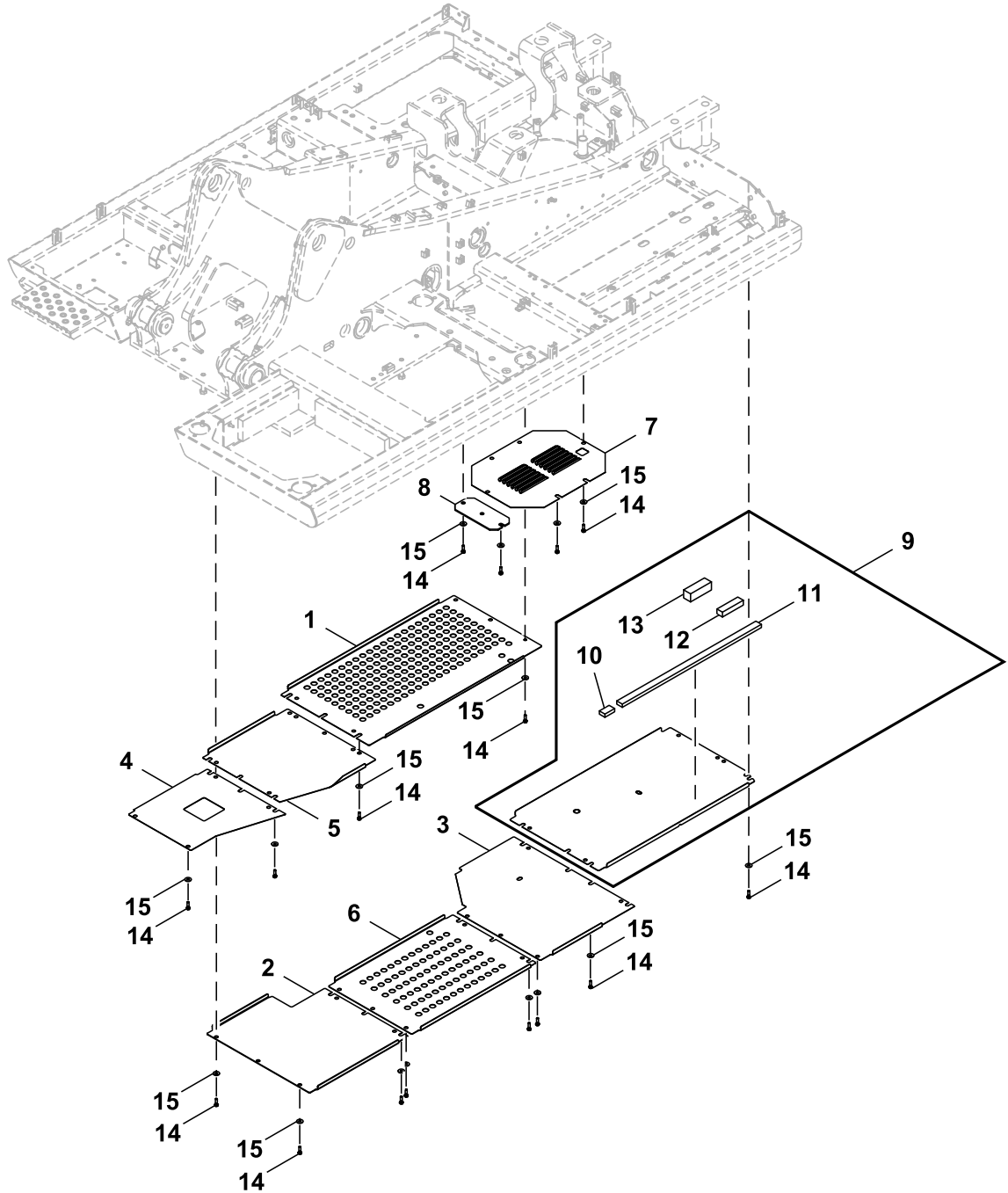


YA60031391_TX1173773

Key	Part No.	Part Name	Qty.	Serial No.	Remarks
1	FYA40011128	Cover	1		SUB FOR FF530991
2	3080209	Hinge	2		
3	19M7662	Cap Screw	17		M10 X 30, SUB FOR J901030
4	FYA40024631	Stop	1		SUB FOR 4450669
5	4603981	Pin	1		SUB FOR 4022697
6	24M7028	Washer	4		10.500 X 20 X 2 mm, SUB FOR A590110
7	FYA40017282	Cover	1		SUB FOR FF531014
8	3072015	Hinge	2		
9	FYA00024575	Tee Fitting	1		
10	FXV00002074	Sealing Trim	1		
11	4718061	Sealing Trim	2		
12	4294508	Bumper	2		
13	14M7274	Nut	2		M10, SUB FOR J950010
14	19M7358	Cap Screw	8		M10 X 40, SUB FOR J901040
15	FYA40024630	Stop	2		
16	H132922	Cotter Pin	2		SUB FOR 4022697
17	24M7085	Washer	8		15 X 28 X 2.500 mm, SUB FOR A590114
18	FYA40021827	Cover	2		
19	FYA40010619	Pipe	1		Black
	FF531378	Pipe	1		Chrome
20	FYA40014785	Cover	1		SUB FOR FF531037
21	3072015	Hinge	2		
22	4667810	Sealing Trim	1		
23	4720314	Sealing Trim	1		SUB FOR 4720313, CTL 1660 mm (5.45 ft)
24	4696446	Sealing Trim	1		
25	FXV00000762	Sealing Trim	1		
26	4667833	Sealing Trim	2		
27	4663783	Sealing Trim	1		
28	4294508	Bumper	2		
29	14M7274	Nut	2		M10, SUB FOR J950010
30	4429044	Catch	2		
31	19M7407	Cap Screw	6		M8 X 25, SUB FOR J900825
32	4429045	Catch	1		
33	24M7346	Washer	24		11 X 20 X 2 mm, SUB FOR DH400703
34	24M7101	Washer	1		11 X 34 X 3 mm, SUB FOR J217083
35	24M7055	Washer	6		8.400 X 16 X 1.600 mm, SUB FOR A590108
36	FXV00002106	Sealing Trim	1		
37	FF510791	Stud	1		
38	FF510793	Retainer	1		
39	FF510794	Clip	1		

Bottom Covers (- 340456)

TX1186265 B.1

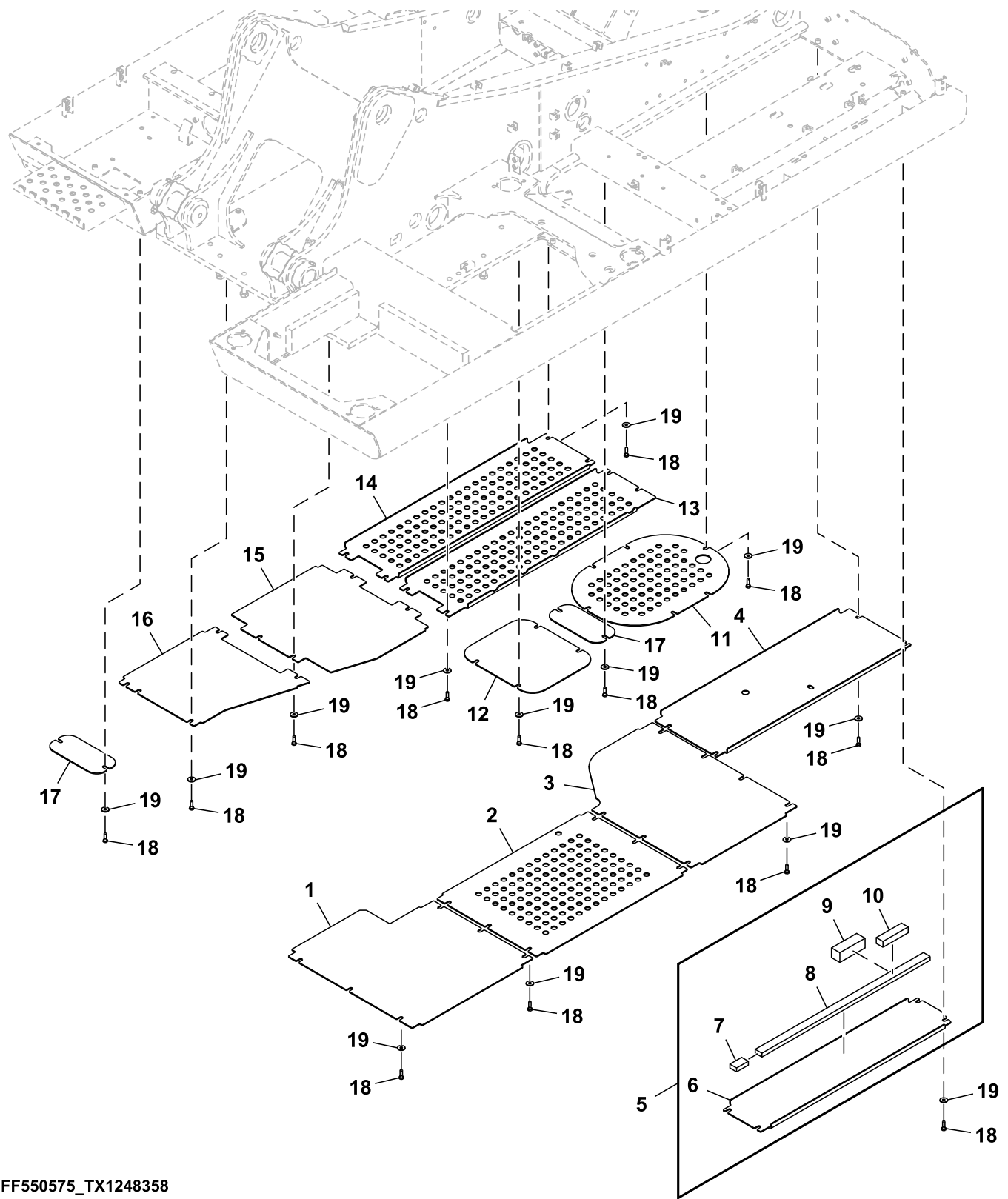


FF532761_TX1186265

Key	Part No.	Part Name	Qty.	Serial No.	Remarks
1	FF532757	Cover	1		
2	3116726	Cover	1		
3	3116728	Cover	1		
4	FF535306	Cover	1		SUB FOR 3116729
5	3116730	Cover	1		
6	3117185	Cover	1		
7	3118978	Cover	1		
8	FYA40017094	Cover	1		
9	FF532863	Cover	1		
10	FXV00000879	Weatherstrip	1		
11	FXV00000881	Weatherstrip	1		
12	FXV00001030	Weatherstrip	1		
13	FXV00000925	Weatherstrip	1		
14	19M7550	Cap Screw	43		M10 X 35, SUB FOR J901035
15	24M7101	Washer	43		11 X 34 X 3 mm, SUB FOR J217083

Bottom Covers (340457 -)

TX1248358 A.1

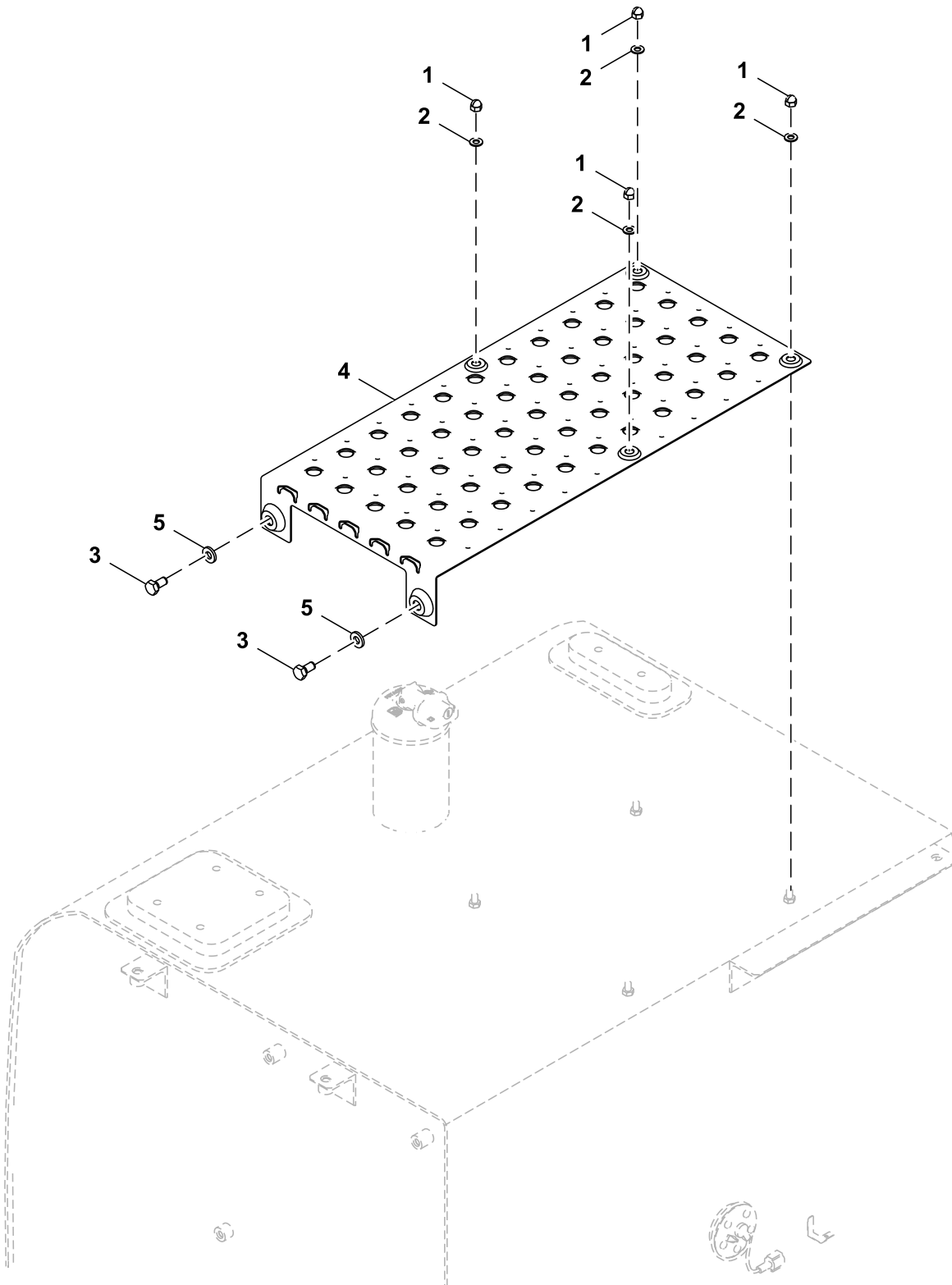


FF550575_TX1248358

Key	Part No.	Part Name	Qty.	Serial No.	Remarks
1	FF550270	Cover	1		
2	FF550271	Cover	1		
3	FF550274	Cover	1		
4	FF550595	Cover	1		
5	FF550596	Cover	1		
6	Cover	1		FF550597 NLA
7	FXV00000879	Weatherstrip	1		
8	FXV00000881	Weatherstrip	1		
9	FXV00000925	Weatherstrip	1		
10	FXV00001030	Weatherstrip	1		
11	FF550975	Cover	1		
12	FF550280	Cover	1		
13	FF550282	Cover	1		
14	FF550958	Cover	1		
15	FF550284	Cover	1		
16	FF550285	Cover	1		
17	FF550598	Cover	2		
18	19M7550	Cap Screw	57		M10 X 35, SUB FOR J901035
19	24M7101	Washer	57		11 X 34 X 3 mm, SUB FOR J217083

Non-Slip Fuel Tank Cover

TX1170555 A.1

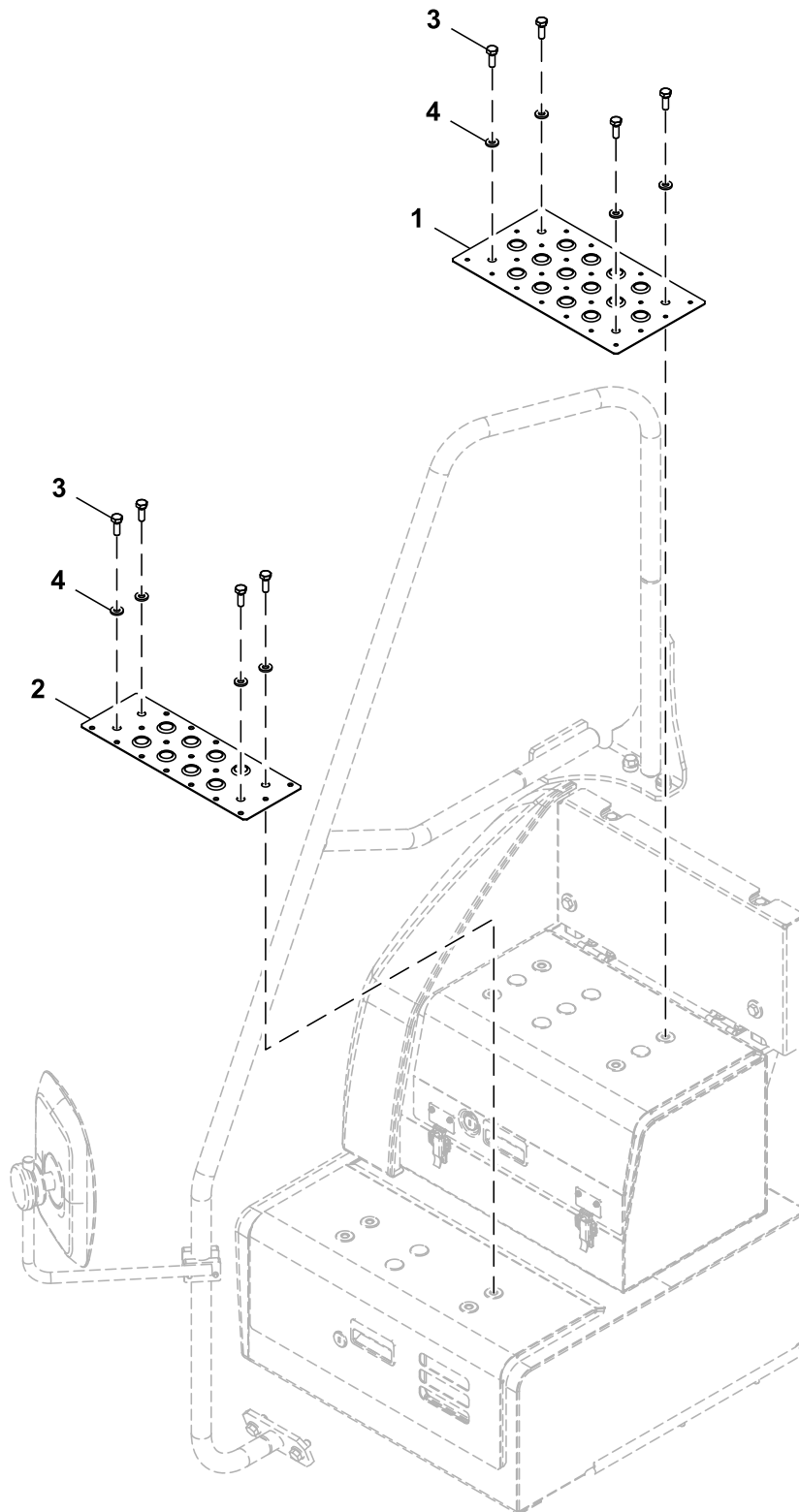


9309005_TX1170555

Key	Part No.	Part Name	Qty.	Serial No.	Remarks
1	FXV00000287	Nut	4		SUB FOR 4410536
2	24M7055	Washer	4		8.400 X 16 X 1.600 mm, SUB FOR A590108
3	19M7938	Cap Screw	2		M10 X 20, SUB FOR J901020
4	3121279	Cover	1		SUB FOR FF511883, Non-Slip
5	24M7346	Washer	2		11 X 20 X 2 mm, SUB FOR DH400703

Non-Slip Covers (- 340021)

TX1188414 A.1

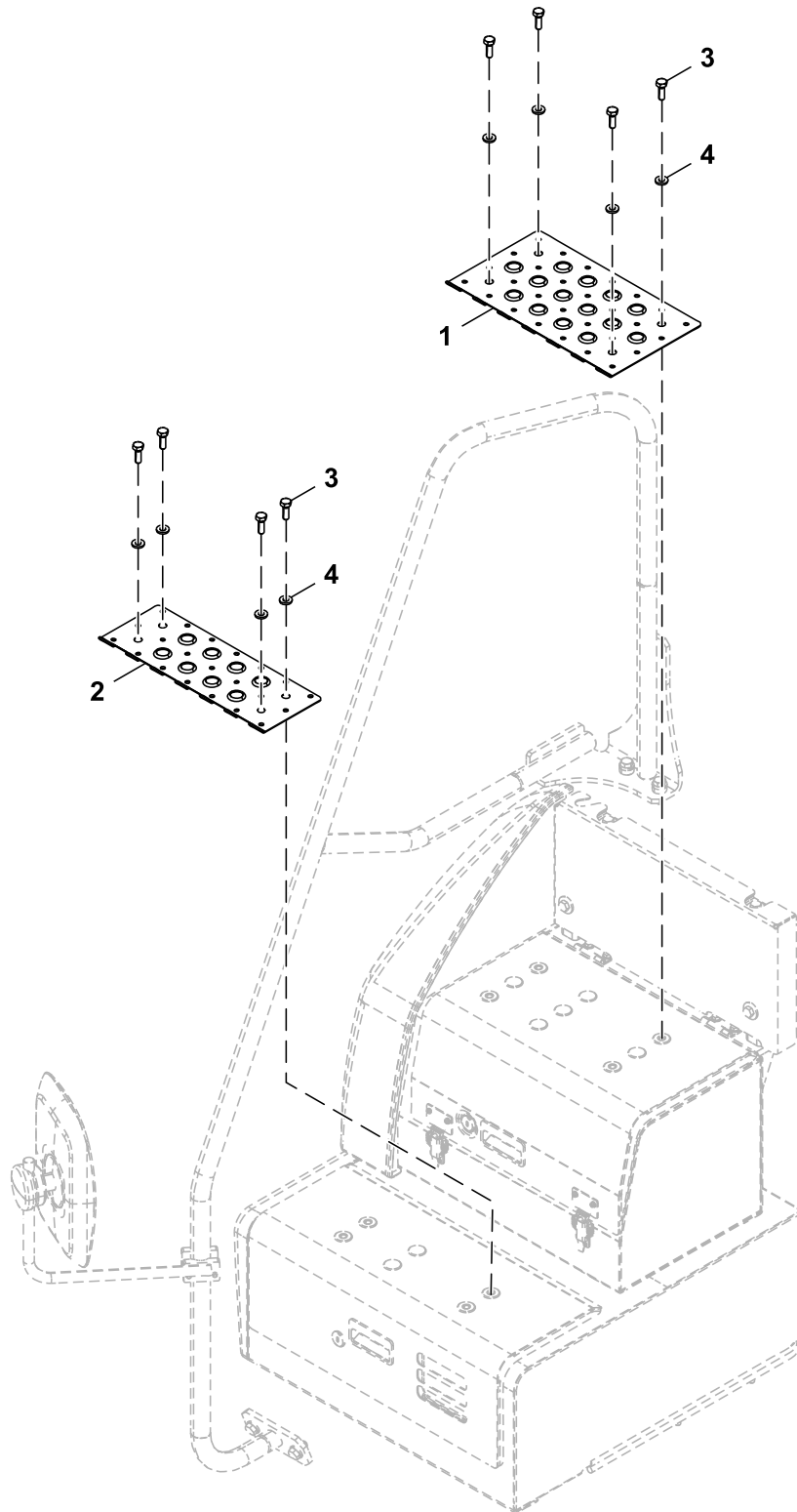


YA60030678_TX1188414

Key	Part No.	Part Name	Qty.	Serial No.	Remarks
1	3092334	Cover	1		
2	3109906	Cover	1		
3	19M7662	Cap Screw	8		M10 X 30, SUB FOR J901030
4	24M7346	Washer	8		11 X 20 X 2 mm, SUB FOR DH400703

Non-Slip Covers (340022 -)

TX1268245 A.1

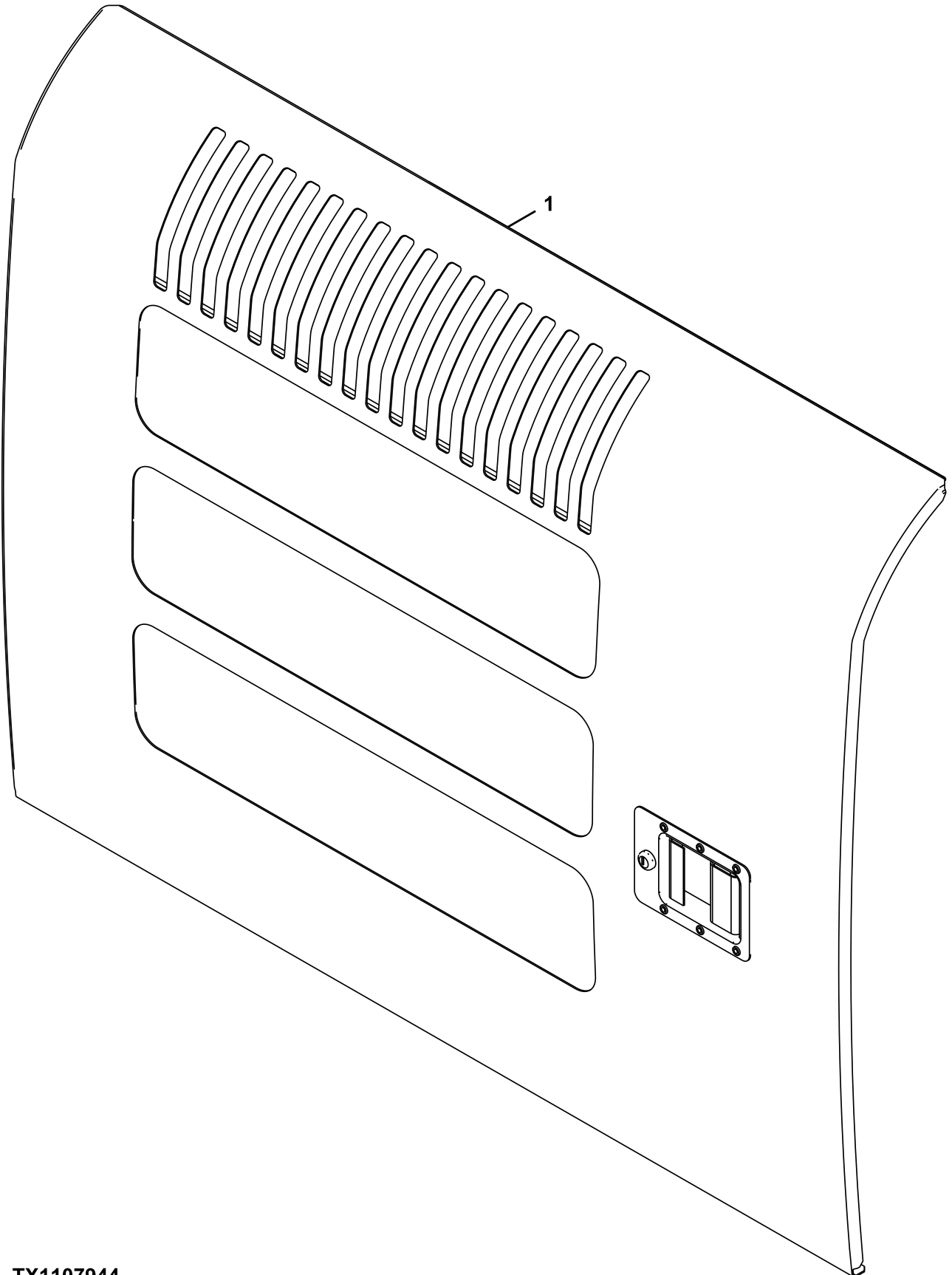


FF533663_TX1268245

Key	Part No.	Part Name	Qty.	Serial No.	Remarks
1	FF530589	Plate	1		
2	FF530582	Plate	1		
3	19M7662	Cap Screw	8		M10 X 30, SUB FOR J901030
4	24M7346	Washer	8		11 X 20 X 2 mm, SUB FOR DH400703

Tropical Door

TX1107944 A.1

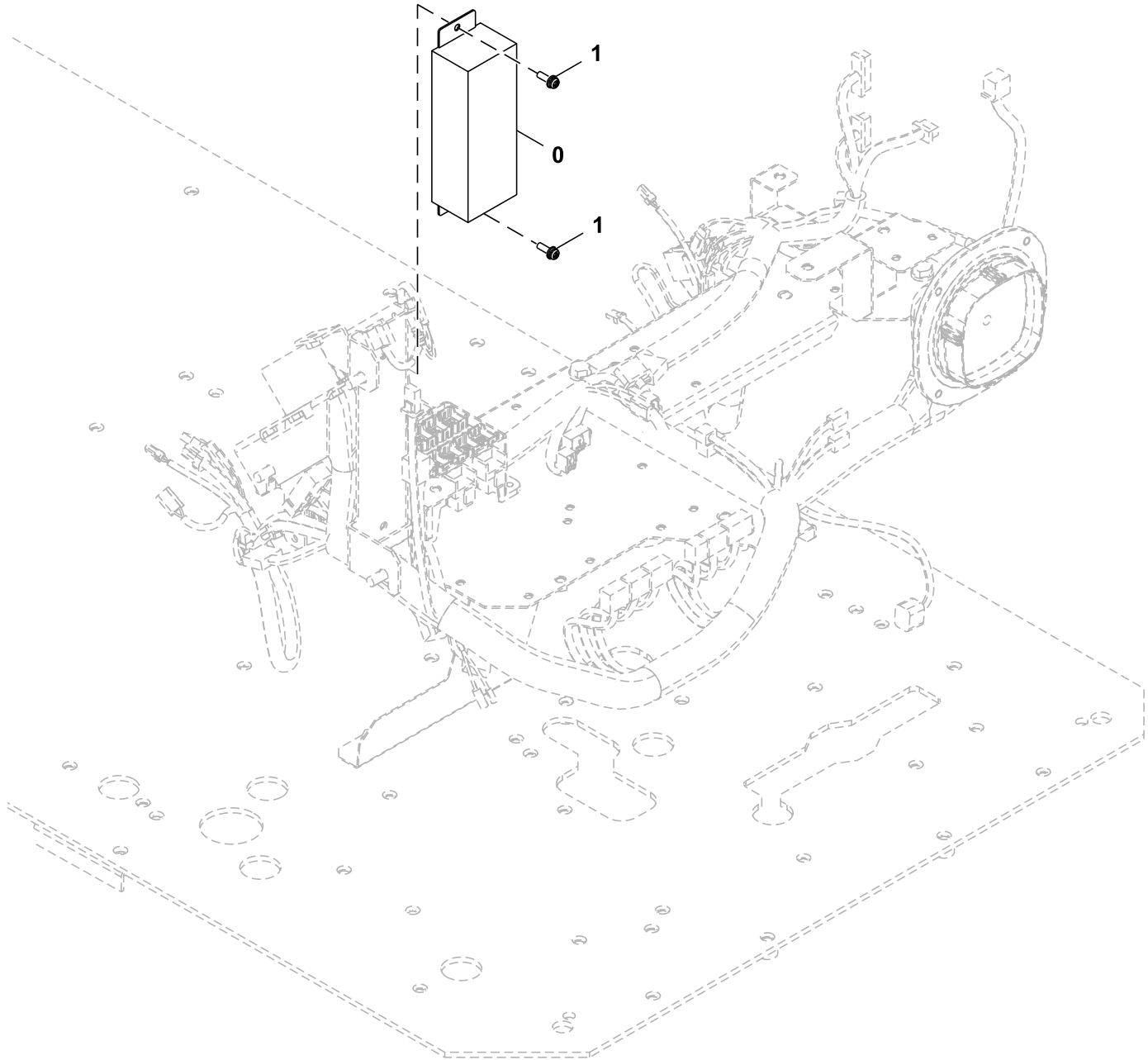


FF512965_TX1107944

<i>Key</i>	<i>Part No.</i>	<i>Part Name</i>	<i>Qty.</i>	<i>Serial No.</i>	<i>Remarks</i>
1	FF512469P	Door	1		Optional Door, SUB FOR FF512469 AND FF511049

Radio

TX1089661 B.1

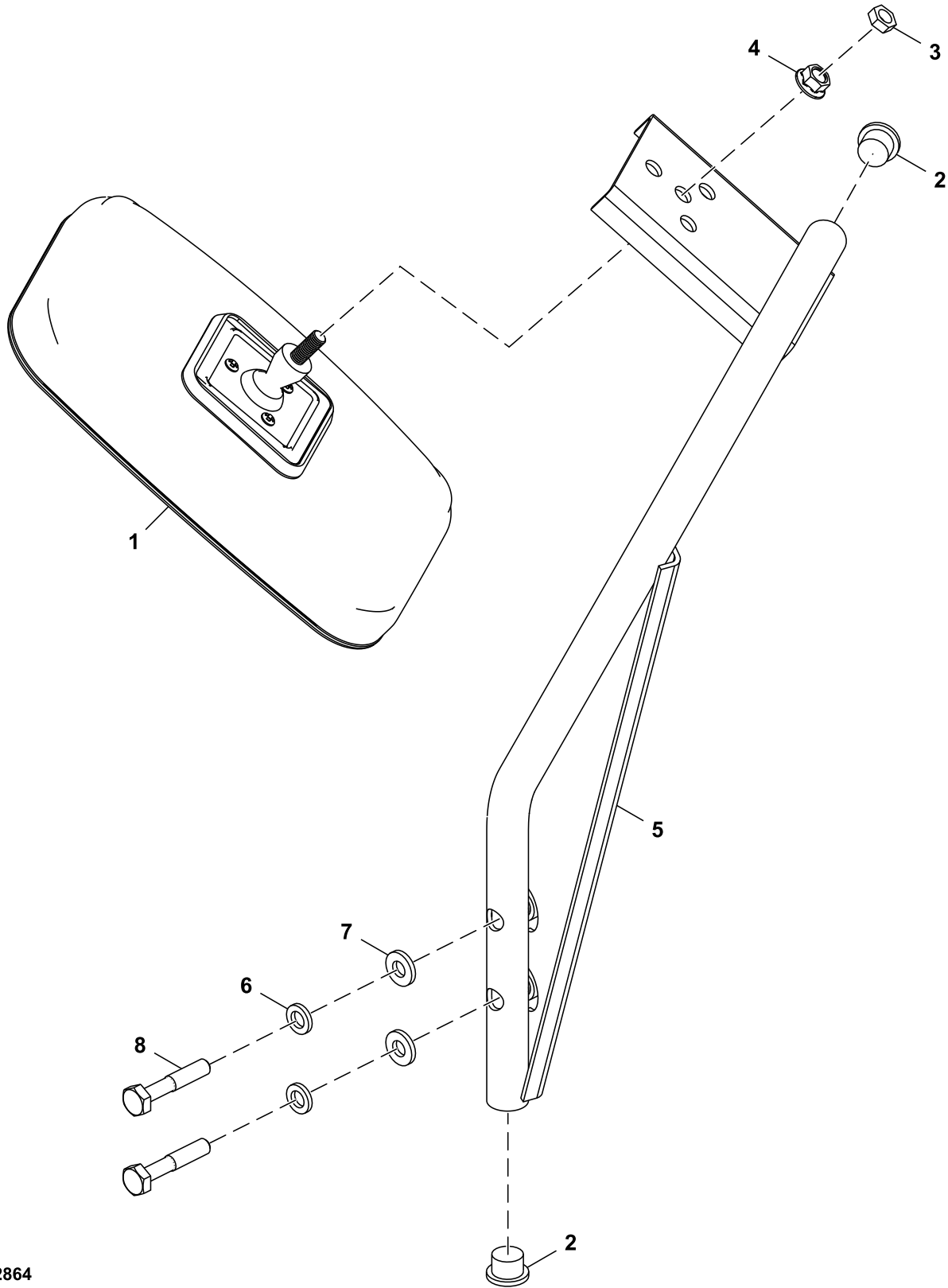


TX1089661

Key	Part No.	Part Name	Qty.	Serial No.	Remarks
0	4714374	Control	1		Radio, Russia
	4714376	Radio Kit	1		Radio, North America
	4714375	Radio Kit	1		Radio, South America
1	Screw With Washer	2		J460620 NLA
	21M7267	Screw	2		M6 X 20
	12M7006	Lock Washer	2		6 mm
	24M7293	Washer	2		6.500 X 13 X 1.600 mm

Counterweight Mirror (- XXXXXX)

TX1102864 B.1

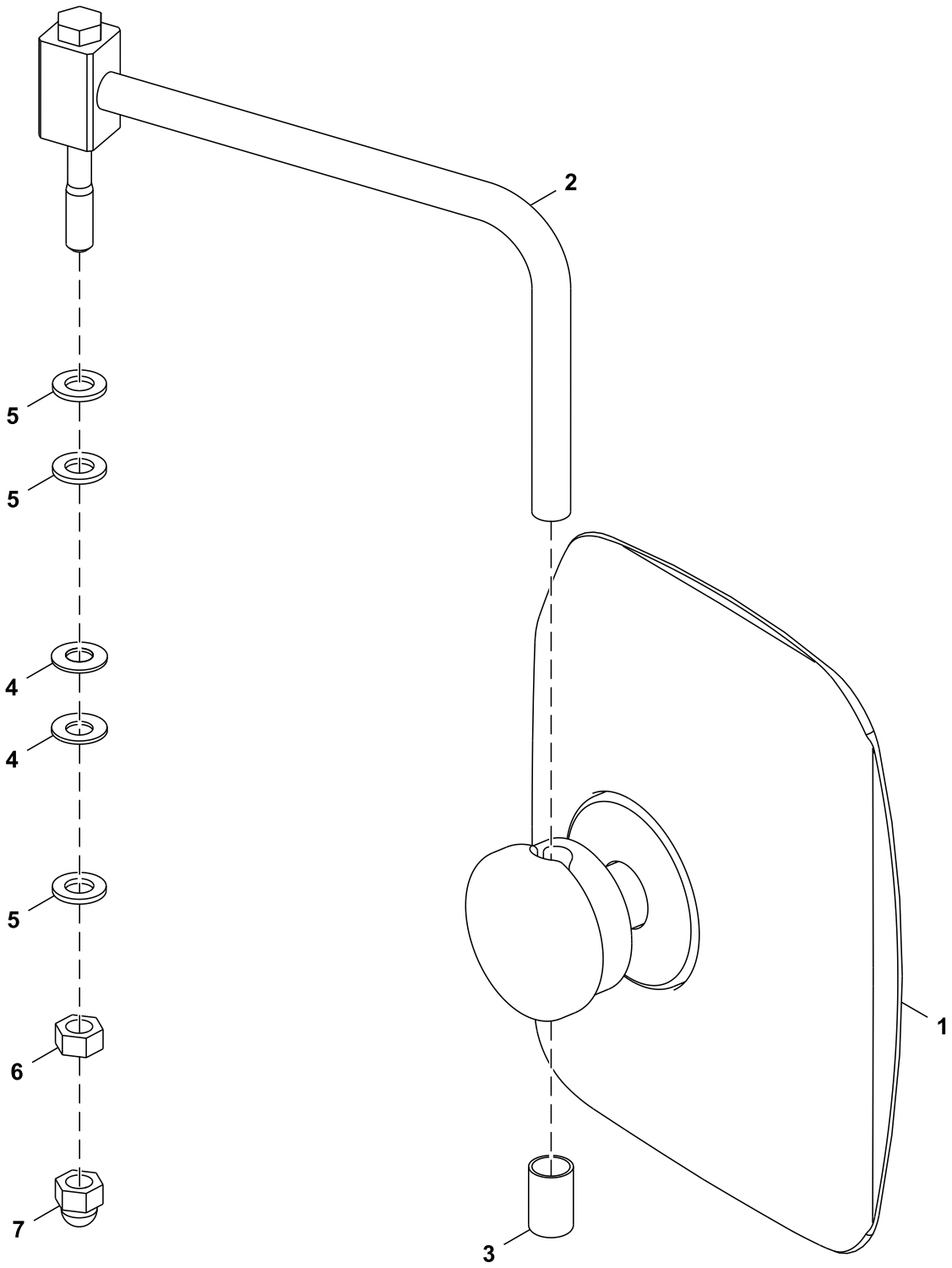


TX1102864

Key	Part No.	Part Name	Qty.	Serial No.	Remarks
1	AT393244	Rear View Mirror	1		
2	FF509835	Cap	2		
3	14H732	Nut	1	3/8"	
4	14H1090	Nut	1	3/8"	
5	FF510944	Bracket	1		
6	12M7066	Lock Washer	2		10 mm, SUB FOR A590910
7	24M7346	Washer	2		11 X 20 X 2 mm, SUB FOR DH400703
8	19M7935	Cap Screw	2		M10 X 55, SUB FOR J921055

Left Rear View Mirror

TX1309826 A.1

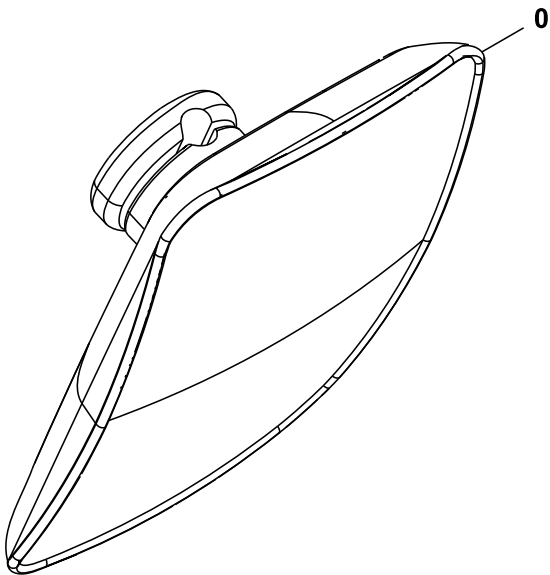
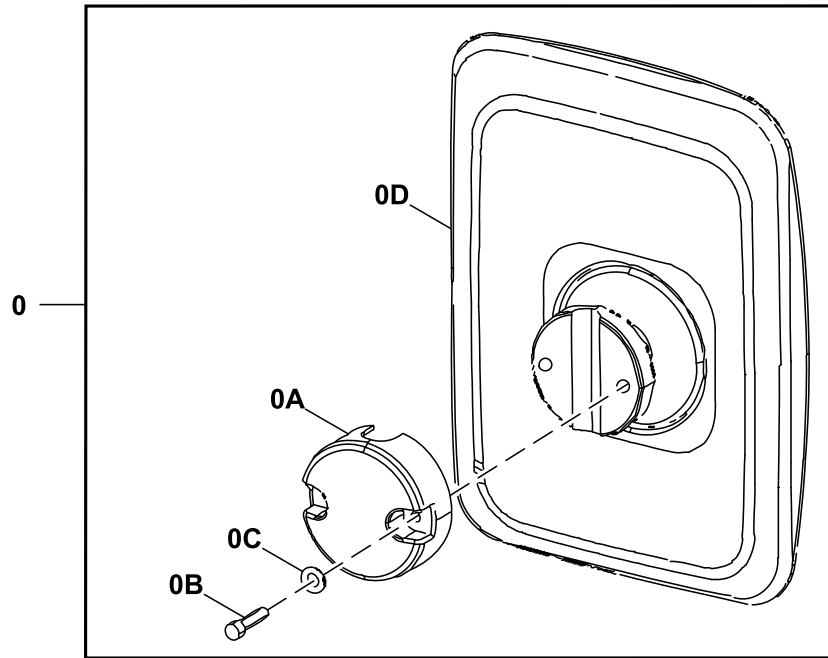


9318348_TX1309826

Key	Part No.	Part Name	Qty.	Serial No.	Remarks
1	AT497535	Rear View Mirror	1		SUB FOR 4675257, Components On Separate Page SUB FOR FF100378
2	8103785	Bracket	1		
3	4642023	Cap	1		
4	4172172	Washer	2		
5	24M7047	Washer	3		13 X 24 X 2.500 mm, SUB FOR J253112 M12, SUB FOR J231212
6	14M7275	Nut	1		
7	4449509	Cap	1		

Rear View Mirror Components

TX1174815 B.1

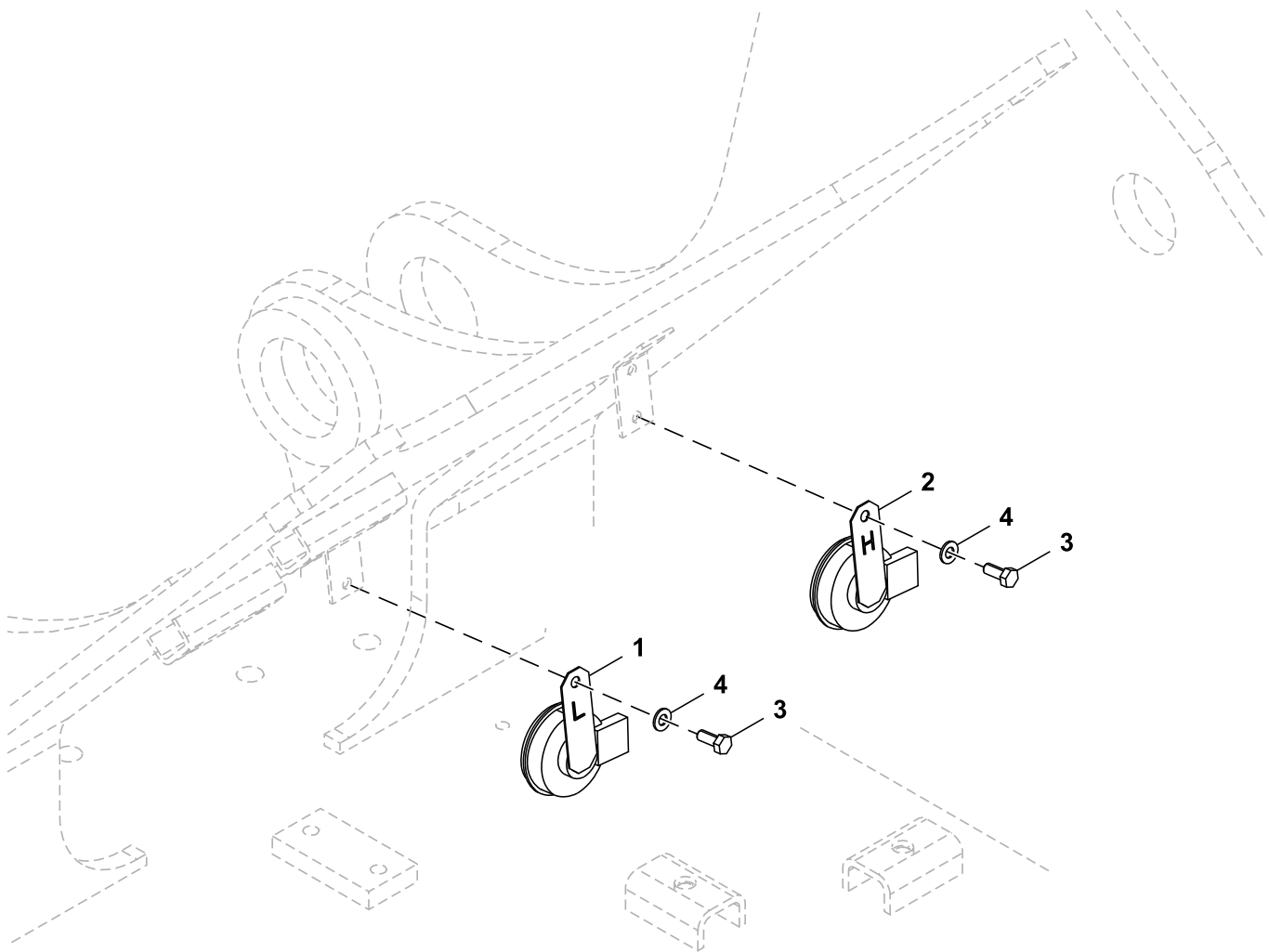


TX1174815

Key	Part No.	Part Name	Qty.	Serial No.	Remarks
0	AT497535	Rear View Mirror	1		SUB FOR 4675257
0A	FYA00003621	Holder	1		
0B	FYA00003622	Bolt	2		
0C	FYA00003622	Washer	2		SUB FOR FYA00003623
0D	Housing	1		NSEP

Horn

TX1115589 C.1



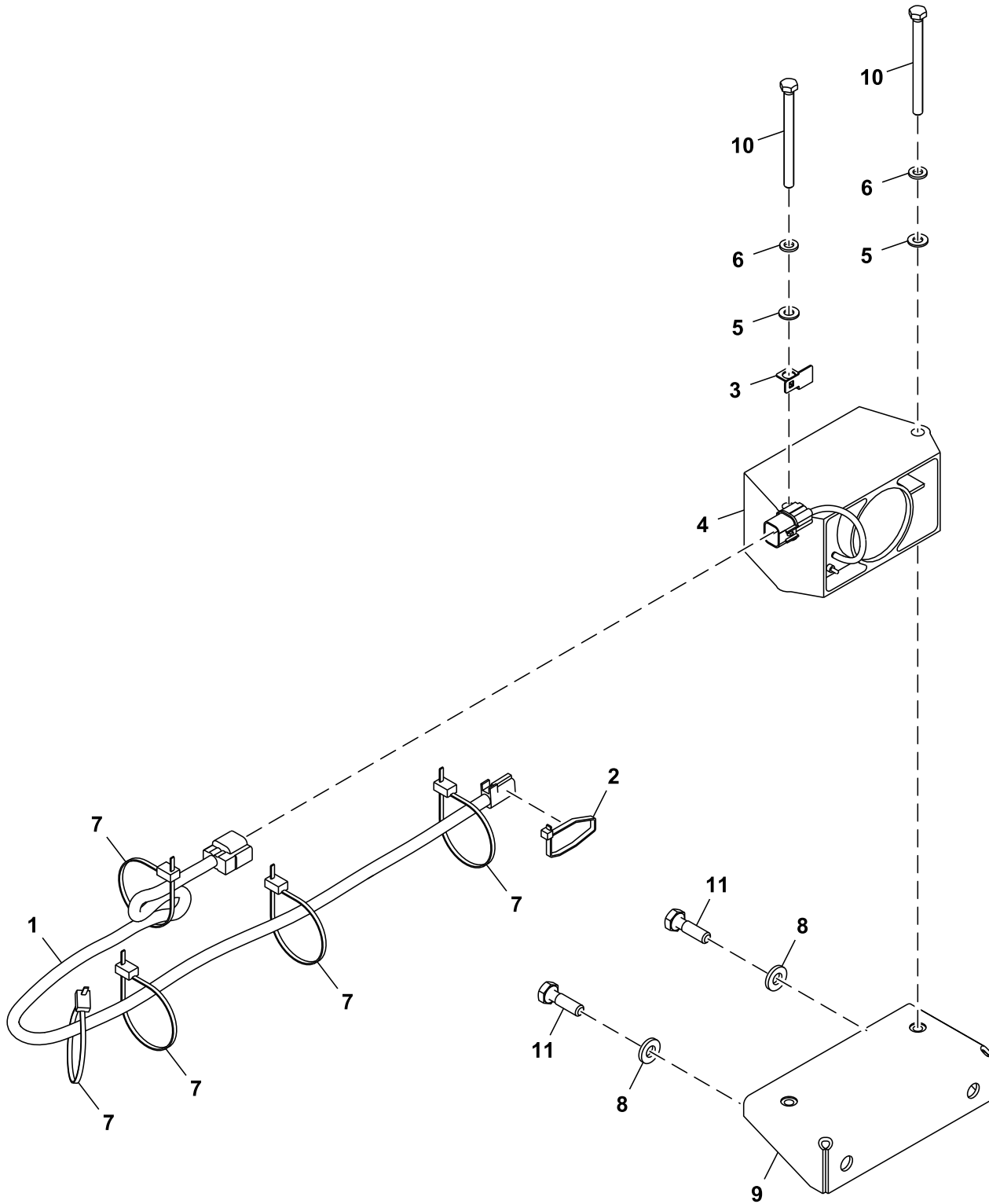
9309546_TX1115589

**20 Safety, Convenience and Miscellaneous
2004 Warning Devices Including Horn & Reverse Alarm**

<i>Key</i>	<i>Part No.</i>	<i>Part Name</i>	<i>Qty.</i>	<i>Serial No.</i>	<i>Remarks</i>
1	4719527	Horn	1		Low, SUB FOR 4703329
2	4719528	Horn	1		High, SUB FOR 4703330
3	19M7881	Screw	2		M8 X 20, SUB FOR J900820
4	24M7055	Washer	2		8.400 X 16 X 1.600 mm, SUB FOR A590108

Travel Alarm

TX1186284 A.1



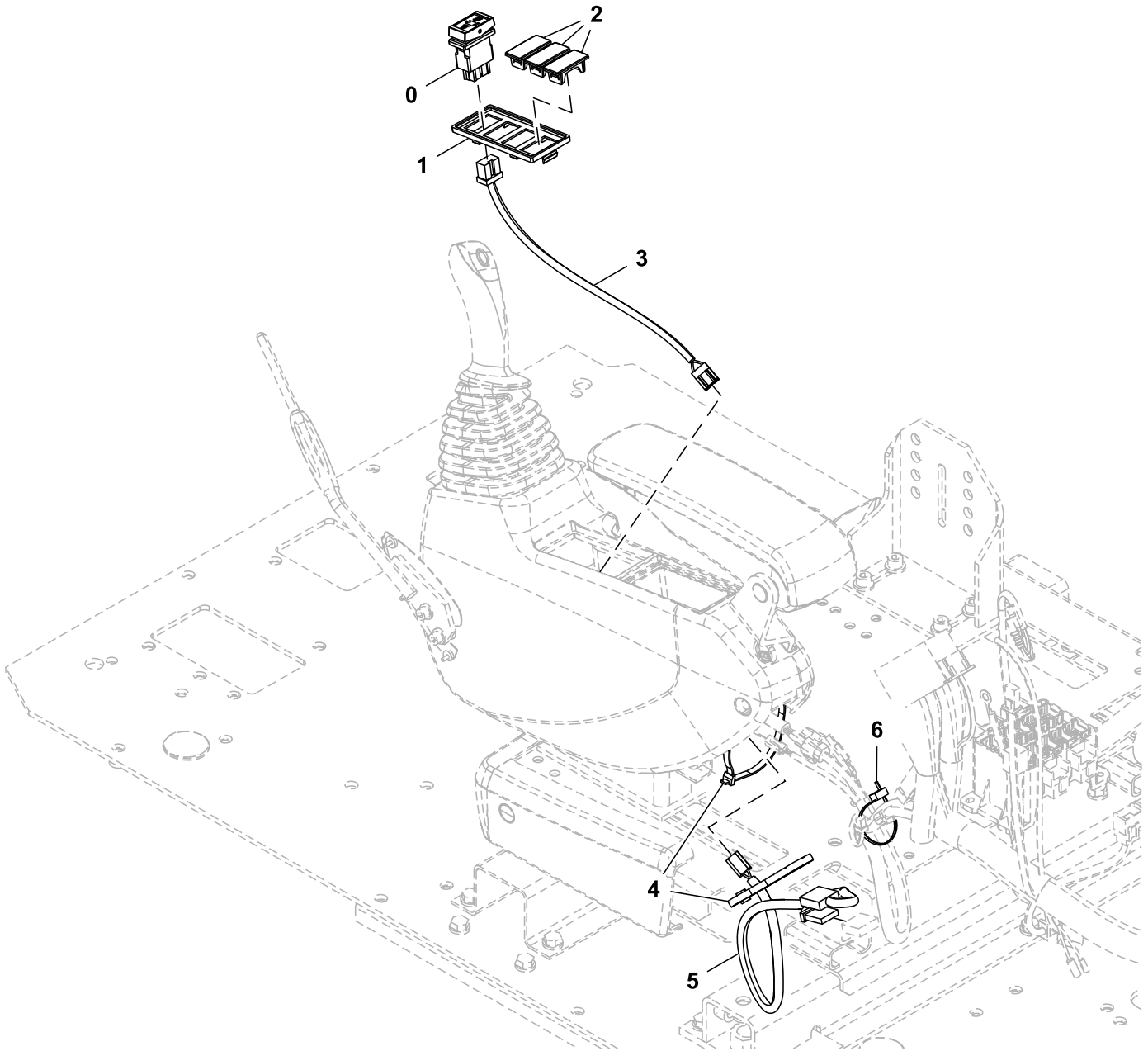
FF531423_TX1186284

**20 Safety, Convenience and Miscellaneous
2004 Warning Devices Including Horn & Reverse Alarm**

<i>Key</i>	<i>Part No.</i>	<i>Part Name</i>	<i>Qty.</i>	<i>Serial No.</i>	<i>Remarks</i>
1	3109162	Wiring Harness	1		Travel Alarm, SUB FOR 3090079
2	H77698	Tie Band	1		SUB FOR 4055311
3	4418301	Bracket	1		
4	4637641	Alarm System	1		
5	24M7055	Washer	2		8.400 X 16 X 1.600 mm, SUB FOR A590108
6	12M7065	Lock Washer	2		8 mm, SUB FOR A590908
7	DH400240	Tie Band	5		
8	24M7346	Washer	2		11 X 20 X 2 mm, SUB FOR DH400703
9	FF502744	Bracket	1		
10	19M7296	Cap Screw	2		M8 X 100, SUB FOR J900800
11	19M7550	Cap Screw	2		M10 X 35, SUB FOR J901035

Travel Motion Alarm Switch and Wiring Harness

TX1185101 A.1



TX1185101

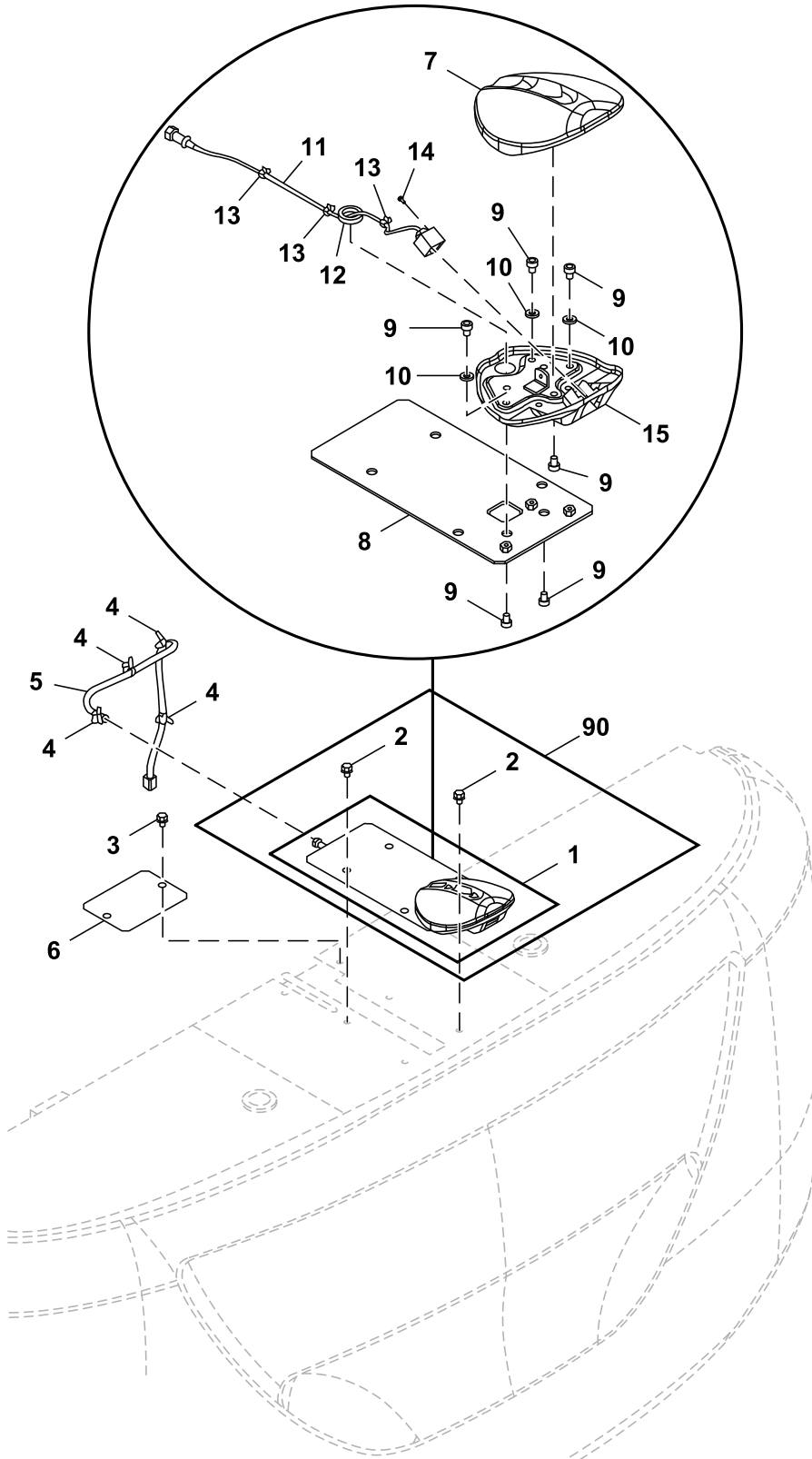
**20 Safety, Convenience and Miscellaneous
2004 Warning Devices Including Horn & Reverse Alarm**

<i>Key</i>	<i>Part No.</i>	<i>Part Name</i>	<i>Qty.</i>	<i>Serial No.</i>	<i>Remarks</i>
0	4651296	Switch	1		Travel Alarm
1	2058776	Case	1		
2	3121182	Cap	3		
3	4651869	Wiring Harness	1		Travel Alarm Cancel
4	H77698	Tie Band	2		SUB FOR 4121859
5	FYA00004570	Wiring Harness	1		Optional Switch Connector
6	H77698	Tie Band	1		SUB FOR 4055312

Key	Part No.	Part Name	Qty.	Serial No.	Remarks
1	FYA60033569	Toolbox	1		Lower
2	Screw With Washer	4		J260820 NLA, ORDER 19M7881 AND 24M7055
	19M7881	Screw	4		M8 X 20
	24M7055	Washer	4		8.400 X 16 X 1.600 mm
3	FYA00000078	Brace	1		
4	4603981	Pin	4		SUB FOR 4022697
5	24M7055	Washer	4		8.400 X 16 X 1.600 mm, SUB FOR A590108
6	4366055	Lock	1		
7	FYA00031215	Handle	1		
8	4712229	Isolator	1		
9	4476561	Catch	1		
10	J680414	Screw	2		
11	4724983	Sealing Trim	2		
12	4450862	Isolator	1		
13	4460534	Sealing Trim	1		
14	FYA00001701	Isolator	1		
15	FYA40017744	Cover	1		
16	FYA60033570	Toolbox	1		
17	Screw With Washer	4		J260820 NLA, ORDER 19M7881 AND 24M7055
	19M7881	Screw	4		M8 X 20
	24M7055	Washer	4		8.400 X 16 X 1.600 mm
18	FYA40019945	Cover	1		
19	FYA00000078	Brace	1		
20	4603981	Pin	4		SUB FOR 4022697
21	24M7055	Washer	4		8.400 X 16 X 1.600 mm, SUB FOR A590108
22	4366055	Lock	1		
23	FYA00031215	Handle	1		
24	4642575	Isolator	1		
25	14M7273	Nut	2		M8, SUB FOR M500807
26	FYA00032491	Hook	2		
27	FYA00031214	Catch	2		
28	J680514	Screw With Washer	8		
29	4669339	Sealing Trim	2		
30	FXV00002139	Weatherstrip	1		
31	FXV00001493	Isolator	1		
32	FXV00001477	Plate	2		
33	FYA00005846	Isolator	5		
34	4707465	Isolator	2		
35	4712229	Isolator	1		
36	FYA40019944	Toolbox	1		
37	19M7881	Screw	4		M8 X 20, SUB FOR J900820
38	19M7662	Cap Screw	4		M10 X 30, SUB FOR J901030
39	24M7055	Washer	4		8.400 X 16 X 1.600 mm, SUB FOR A590108
40	24M7101	Washer	4		11 X 34 X 3 mm, SUB FOR J217083
41	FYA60030677	Cover	1		
42	4673709	Sealing Trim	1		
43	FF551249	Cover	1		
44	FYA40019941	Support	1		
45	19M7358	Cap Screw	2		M10 X 40, SUB FOR J901040
46	19M7662	Cap Screw	15		M10 X 30, SUB FOR J901030
47	19M7875	Cap Screw	4		M10 X 70, SUB FOR J901070
48	4274478	Headlight	1		Components On Separate Page
49	FYA40019719	Bracket	1		
50	19M7881	Screw	4		M8 X 20, SUB FOR J900820
51	FYA40015174	Hook	1		
52	24M7055	Washer	4		8.400 X 16 X 1.600 mm, SUB FOR A590108
53	24M7346	Washer	6		11 X 20 X 2 mm, SUB FOR DH400703
54	24M7101	Washer	15		11 X 34 X 3 mm, SUB FOR J217083
55	AT497535	Rear View Mirror	1		SUB FOR 4675257, Components On Separate Page
56	FF531684	Brace	1		
57	DH400660	Clamp	1		
58	19M7872	Cap Screw	2		M12 X 25, SUB FOR J921225
59	19M7184	Cap Screw	2		M8 X 55, SUB FOR J900855
60	24M7345	Washer	4		13.500 X 24 X 2.500 mm, SUB FOR J222012
61	24M7055	Washer	2		8.400 X 16 X 1.600 mm, SUB FOR A590108
62	19M7493	Cap Screw	2		M12 X 40, SUB FOR J921240
63	FF532195	Handrail	1		

Rear Camera

TX1290881 B.1

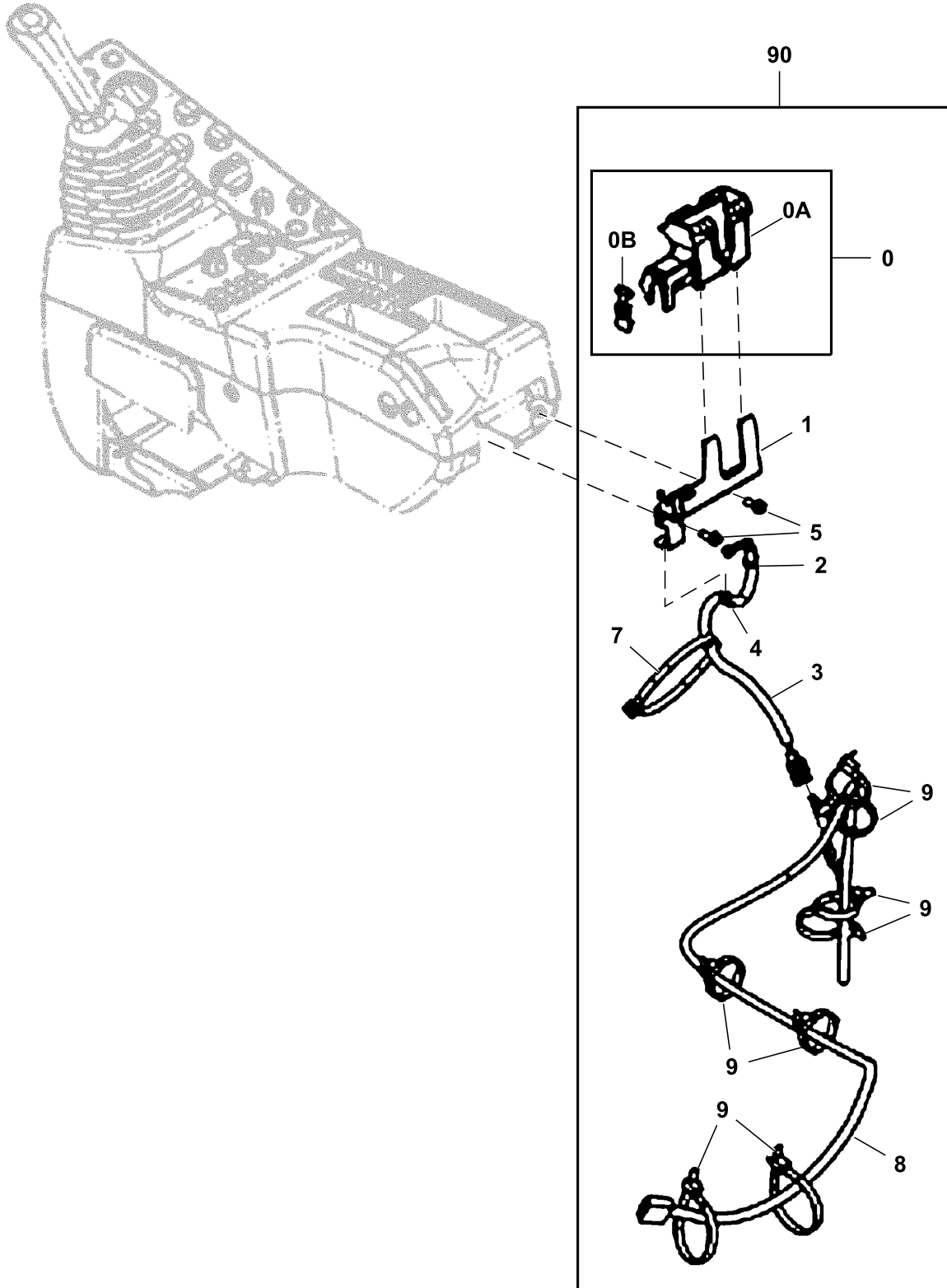


TX1290881

Key	Part No.	Part Name	Qty.	Serial No.	Remarks
1	9315741	Television Camera	1		
2	Screw With Washer	4		J271020 NLA
	19M7938	Cap Screw	4		M10 X 20, SUB FOR J901020
	24M7346	Washer	4		11 X 20 X 2 mm, SUB FOR J222010
3	Screw With Washer	2		J271020 NLA
	19M7938	Cap Screw	2		M10 X 20, SUB FOR J901020
	24M7346	Washer	2		11 X 20 X 2 mm, SUB FOR J222010
4	4254600	Clip	4		
5	4712344	Wiring Harness	1		Camera to Machine Harness
6	4701415	Cover	1		
7	FYA40002913	Cover	1		
8	FYA40004570	Bracket	1		
9	19M9121	Screw	6		M8 X 12, SUB FOR J780812
10	24M7055	Washer	3		8,400 X 16 X 1,600 mm, SUB FOR A590108
11	FYA00052438	Television Camera	1		SUB FOR 4703323 AND FYA00005619
12	4299864	Grommet	1		
13	4218657	Clip	3		
14	FYA00007846	Screw	2		
15	FYA40004445	Cover	1		SUB FOR 7058982
90	Field Installation Kit	1		AT387779 NLA, Whole Goods

MP3 Player Wiring Harness

TX1284821 A.1

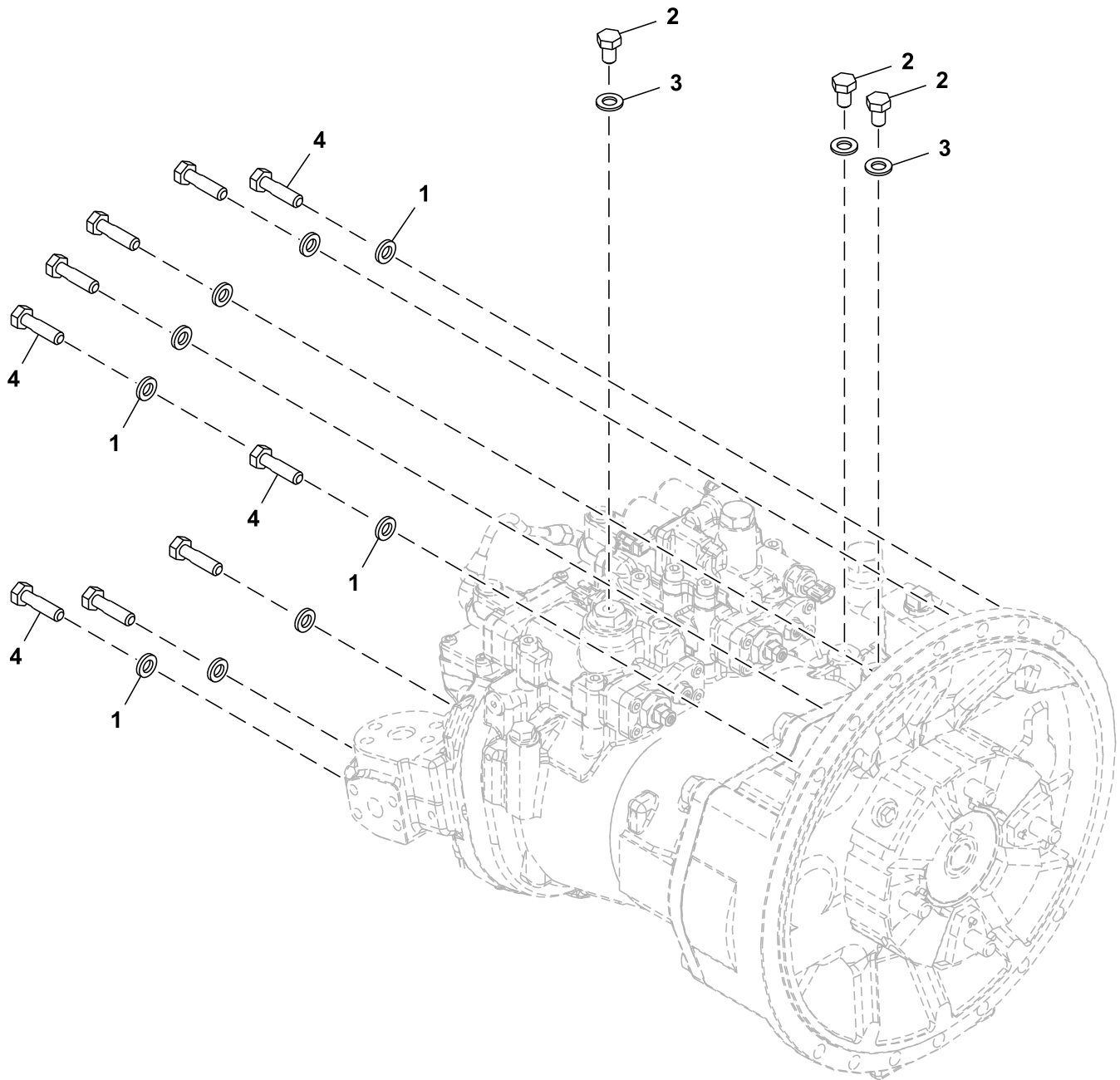


TX1284821

Key	Part No.	Part Name	Qty.	Serial No.	Remarks
0	Case	1		FYA40005509 NLA, Furnish Components
0A	FYA00008595	Case	1		
0B	FYA00008594	Cover	1		
1	FYA00008596	Bracket	1		
2	4165068	Grommet	1		
3	FYA00008476	Wiring Harness	1		Auxiliary Audio
4	H77698	Tie Band	1		SUB FOR 4300351
5	Screw With Washer	2		J460620 NLA
	12M7006	Lock Washer	2		6 mm
	21M7267	Screw	2		M6 X 20
	24M7293	Washer	2		6.500 X 13 X 1.600 mm
7	H77698	Tie Band	1		SUB FOR 4121859
8	FYA00008477	Wiring Harness	1		Auxiliary Audio Interface
9	DH400240	Tie Band	8		
90	ETN93549	Field Installation Kit	1		Whole Goods

Hydraulic Pump Mounting

TX1170298 A.1

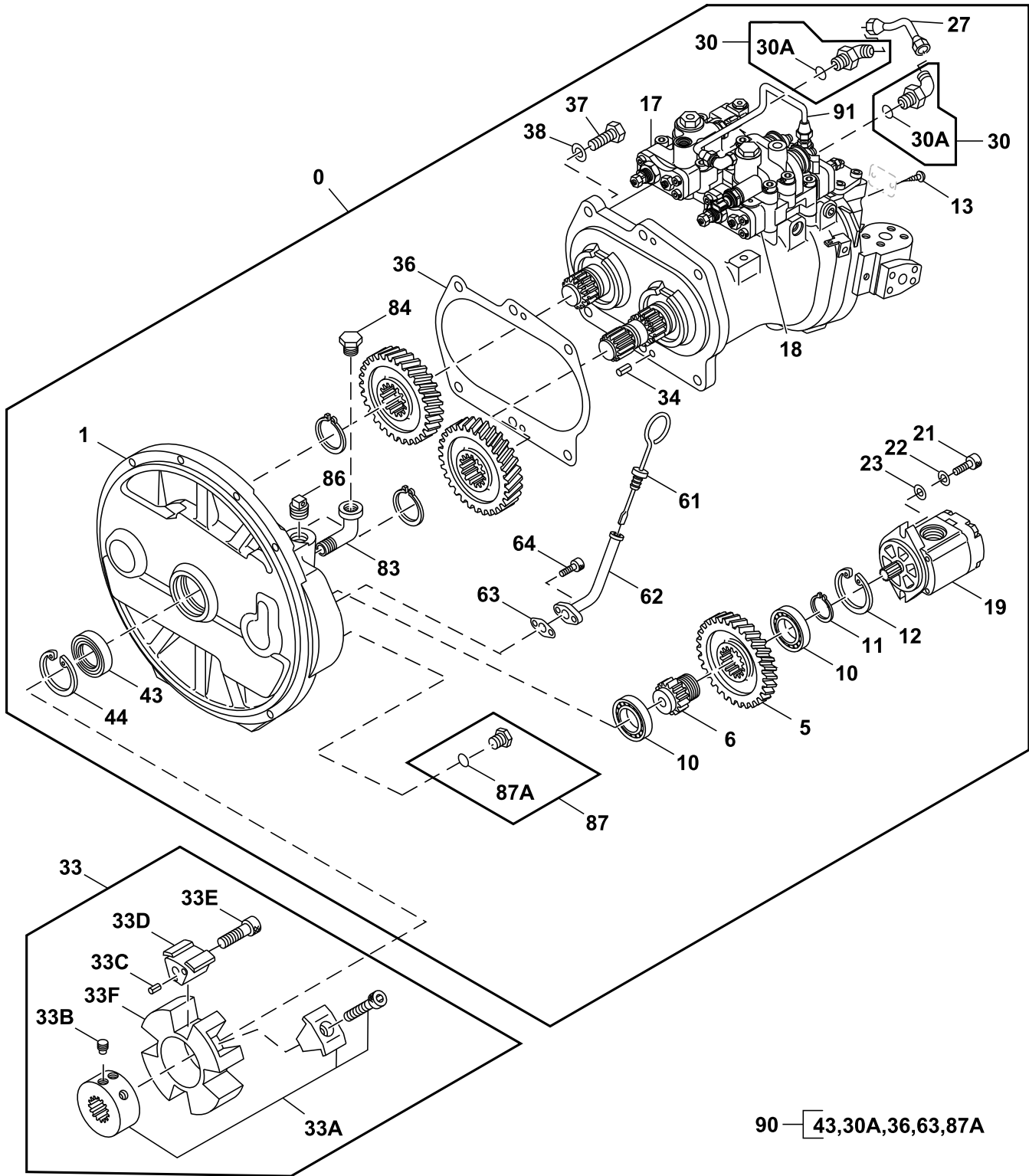


FF526438_TX1170298

Key	Part No.	Part Name	Qty.	Serial No.	Remarks
1	12H301	Lock Washer	9		1/2", SUB FOR A590912
2	19M8017	Cap Screw	3		M12 X 20, SUB FOR J901220
3	24M7047	Washer	3		13 X 24 X 2.500 mm, SUB FOR A590112
4	19M7496	Cap Screw	9		M12 X 45, SUB FOR J921245

Hydraulic Pump Components

TX1109646 E.1



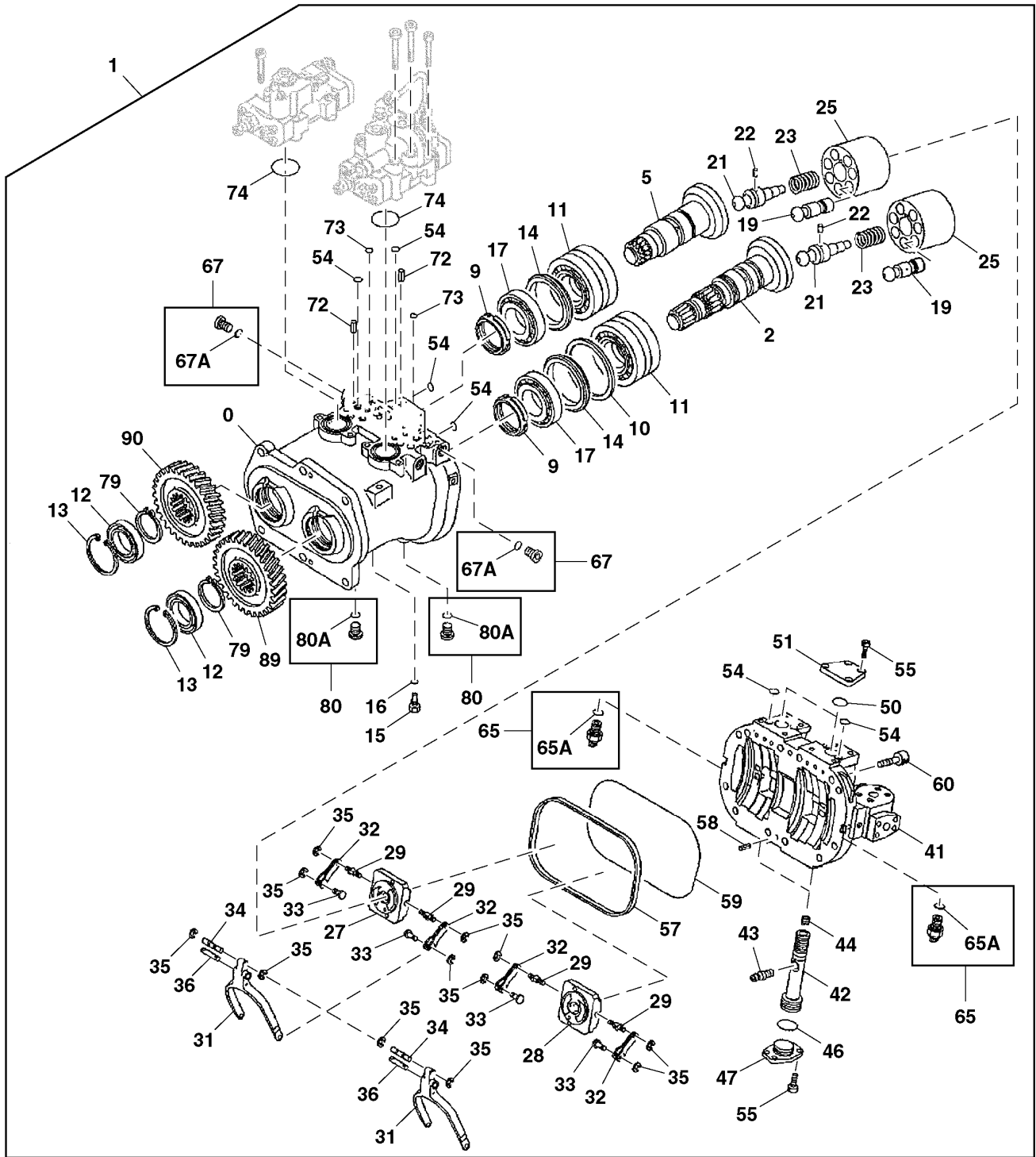
TX1109646

**21 Vehicle Main Hydraulic System
2161 Hydraulic Pumps & Drives**

Key	Part No.	Part Name	Qty.	Serial No.	Remarks
0	FYB60001358	Hydraulic Pump	1		SUB FOR FYB60000041
	PG203773	Hydraulic Pump Reman	1		Reman Does Not Include Coupler
1	FYB00000280	Case	1		ALSO ORDER 942014, SUB FOR 1036984
	942014	Plug	1		Not Illustrated
5	3063840	Gear	1		SUB FOR AT202414 OR 4099290
6	3055594	Shaft	1		SUB FOR AT202412
10	6008X	Ball Bearing	2		SUB FOR 958740 OR JD8514
11	962002	Snap Ring	1		SUB FOR TH100483
12	991725	Snap Ring	1		
13	37H99	Screw	2		0.100" X 1/4", SUB FOR M492564
17	9266180	Regulator	1		Components On Separate Page
18	FYB60000198	Regulator	1		Components On Separate Page
19	9218005	Pump	1		Pilot, Components On Separate Page
21	19M8337	Screw	2		M10 X 30, SUB FOR M341030
22	12M7135	Lock Washer	2		10 mm, SUB FOR 984054
23	4114402	Washer	2		SUB FOR TH102181
27	4631943	Line	1		
30	4293950	Fitting	2		SUB FOR AT160584
30A	957366	O-Ring	1		
33	4716846	Coupling	1		
33A	FYB00000331	Hub	1		
33B	4702173	Set Screw	2		SUB FOR 4334899, ALSO ORDER 4716583
33C	34M7117	Spring Pin	4		5 X 10 mm, SUB FOR 4101345 OR TH4101345
33D	4682268	Insert	4		
33E	4183168	Cap Screw	4		
33F	4682266	Coupling	1		
34	34M7061	Spring Pin	2		8 X 20 mm, SUB FOR 4099290
36	8058352	Gasket	1		
37	19M7489	Cap Screw	6		M16 X 45, SUB FOR J901645 OR TH101724
38	12H294	Lock Washer	6		5/8", SUB FOR A590916
43	4310055	Seal	1		SUB FOR AT202443
44	991725	Snap Ring	1		
61	FYB00003475	Level Gauge	1		SUB FOR 4438059, FYB00001633 AND TH4438059
62	9743977	Dipstick Tube	1		SUB FOR AT214406
63	9742779	Gasket	1		SUB FOR AT214401
64	19M7647	Screw	2		M8 X 16, SUB FOR AT217709 OR M340816
83	15H621	Elbow Fitting	1		3/4", SUB FOR 94-0649
84	4645330	Plug	1		
86	4234782	Plug	1		SUB FOR AT200990
87	15M7036	Drain Plug	1		SUB FOR TH101813 OR 4092534
87A	4297380	O-Ring	1		SUB FOR 4622346 OR 4509180
90	4451036	Seal Kit	1		SUB FOR TH4451036
91	4629372	Line	1		

Hydraulic Pump Rotating Group

TX1086806 E.2



20 — 12,16,46,50,54,59
65A,73,74,80A

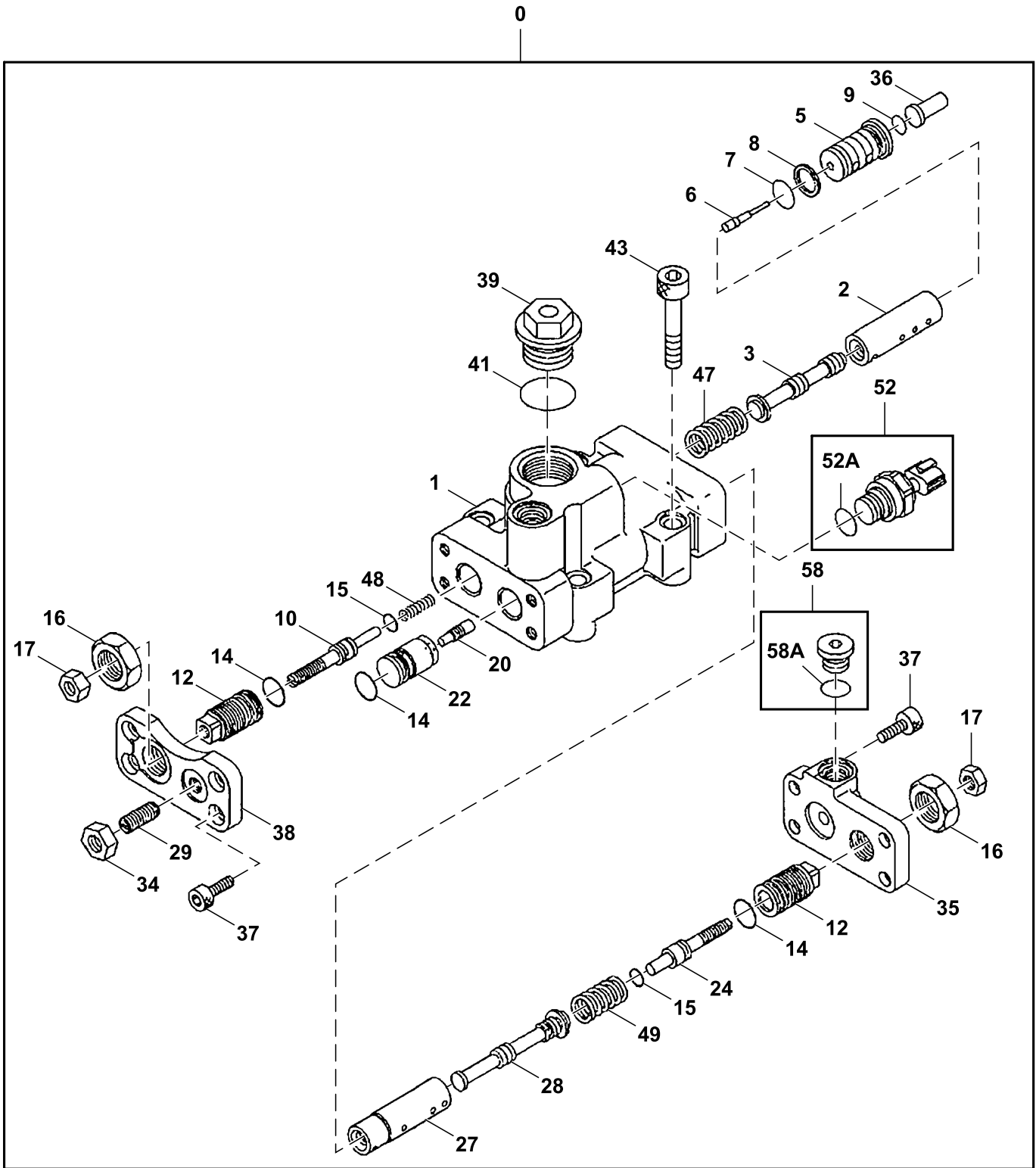
TX1086806

21 Vehicle Main Hydraulic System
2161 Hydraulic Pumps & Drives

Key	Part No.	Part Name	Qty.	Serial No.	Remarks
0	1032319	Housing	1		
1	FYB60001358 PG203773	Device Hydraulic Pump Reman	1 1		SUB FOR FYB60000041 REMAN FOR FYB60000041
2	2058908	Disk	1		SUB FOR 2054392
5	2052080	Disk	1		
9	4178173	Nut	2		M60
10	4330054	Thrust Washer	1		SUB FOR 4338907
11	4410050	Spherical Roller Bearing	2		
12	T225266	Seal	2		SUB FOR 4333170
13	4116290	Snap Ring	2		
14	4339171	Ring	2		
15	4233165	Fitting	1		
16	957366	O-Ring	1		
17	4622945	Spherical Roller Bearing	2		
19	8050658	Piston	14		
20	4451039	Seal Kit	1		
21	4337035	Shaft	2		
22	4198956	Pin Fastener	2		
23	4179181	Compression Spring	2		
25	2052956	Rotor	2		
27	2052073	Valve	1		
28	2052067	Valve	1		
29	4179179	Dowel Pin	4		
31	3104058	Link	2		
32	9724756	Lever	4		
33	4179177	Dowel Pin	4		6 X 10 mm (0.236" X 0.394")
34	4179176	Dowel Pin	2		6 X 44 mm (0.236" X 1.732")
35	CH17951	Ring	12		SUB FOR 4146370
36	4200227	Dowel Pin	2		
41	1032517	Cylinder Head	1		
42	3069541	Piston	2		
43	4338053	Pin	2		
44	4337812	Set Screw	2		
46	4355085	O-Ring	2		
47	4338060	Stop	2		
50	4355083	O-Ring	2		SUB FOR 0444001
51	4338061	Cover	2		
54	CH11560	Packing	20		SUB FOR 4180349
55	19M8439	Screw	16		M8 X 25, SUB FOR M340825
57	3070581	Packing	1		
58	34M7061	Spring Pin	2		8 X 20 mm, SUB FOR 4099290
59	4342840	O-Ring	1		
60	19M8341	Screw	12		M12 X 45, SUB FOR M341245
65	4436271	Sensor	2		SUB FOR 4703324, Pressure
65A	4365826	O-Ring	1		
67	9134110	Fitting	2		
67A	957366	O-Ring	1		
72	34M3845	Spring Pin	4		4 X 10 mm, SUB FOR 4515041
73	4343074	O-Ring	4		
74	4348665	O-Ring	2		
79	AT152406	Snap Ring	2		SUB FOR 4274552
80	9134111	Fitting	2		
80A	4297380	O-Ring	1		SUB FOR 4622346 OR 4509180
89	3100993	Gear	1		
90	3100994	Gear	1		

Hydraulic Pump Regulator 1 Components

TX1288311 B.1



TX1288311

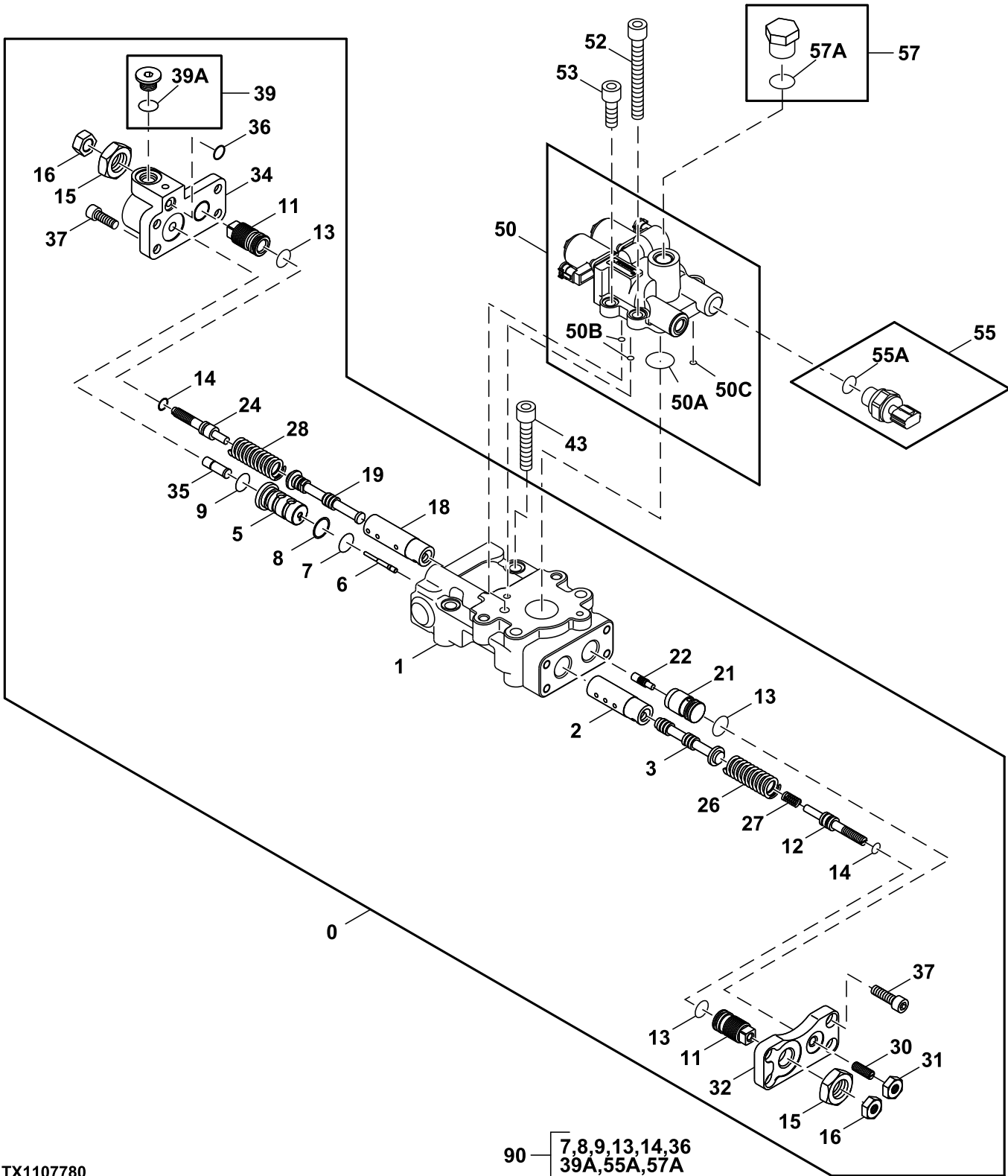
50 — 7,8,9,14,15,41,52A,58A

21 Vehicle Main Hydraulic System
2161 Hydraulic Pumps & Drives

Key	Part No.	Part Name	Qty.	Serial No.	Remarks
0	9266180	Regulator	1		Hydraulic Pump Regulator 1
1	FYB00002872	Case	1		SUB FOR 1033182
2	4179155	Sleeve	1		
3	4179156	Spool	1		
5	4375722	Piston	1		SUB FOR 4435025
6	4360590	Piston	1		SUB FOR 4435024
7	TH102560	O-Ring	1		SUB FOR 4150302
8	4085607	Back-Up Ring	1		
9	CH11560	Packing	1		SUB FOR 4297380 AND 4180349
10	4368619	Stop	1		
12	4179161	Stop	2		
14	4342843	O-Ring	3		
15	4342841	O-Ring	2		
16	4068898	Nut	2		
17	14M7273	Nut	2		M8, SUB FOR M500807
20	4179171	Piston	1		
22	4451498	Piston	1		
24	4347107	Stop	1		
27	4346522	Sleeve	1		
28	4346521	Valve Spool	1		
29	22M7098	Set Screw	1		M10 X 25, SUB FOR 4265964
34	14M7274	Nut	1		M10, SUB FOR J950010
35	FYB00000132	Cover	1		
36	4611012	Piston	1		
37	19M8446	Screw	8		M8 X 20, SUB FOR M340820
38	Cover	1		4433327 NSEP
39	4724232	Plug	1		SUB FOR 4447264
41	4342846	O-Ring	1		
43	19M8339	Screw	4		M10 X 55, SUB FOR M341056
47	4616531	Compression Spring	1		
48	4616533	Compression Spring	1		
49	4350928	Compression Spring	1		
50	4455719	Seal Kit	1		
52	4436536	Sensor	1		Pressure
52A	4509180	O-Ring	1		SUB FOR 4153095 AND 4301675
58	9134110	Fitting	1		
58A	0981201	O-Ring	1		SUB FOR 957366

Hydraulic Pump Regulator 2 Components

TX1107780 C.1



TX1107780

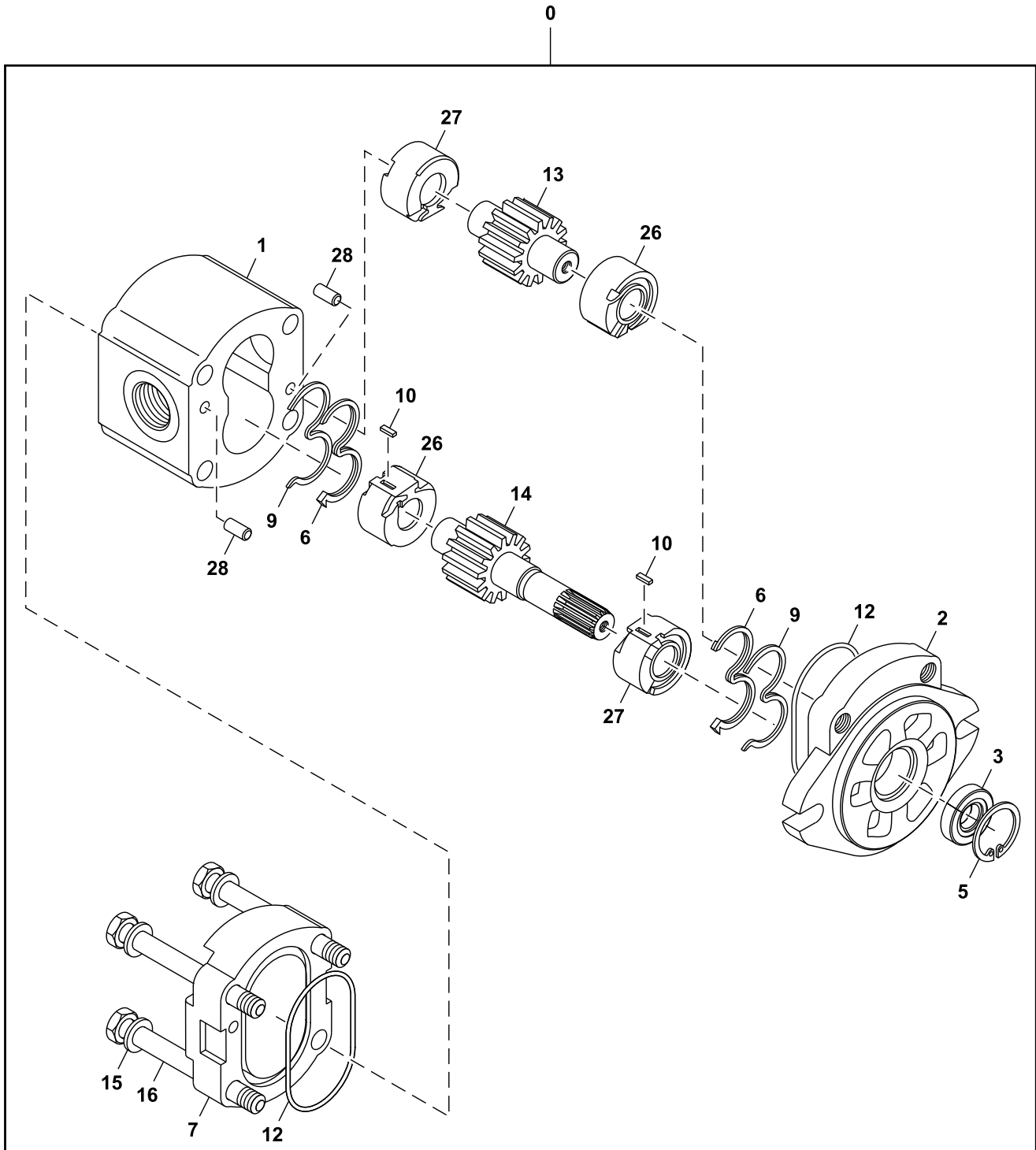
90 — 7,8,9,13,14,36
39A,55A,57A

21 Vehicle Main Hydraulic System
2161 Hydraulic Pumps & Drives

Key	Part No.	Part Name	Qty.	Serial No.	Remarks
0	FYB60000198	Regulator	1		Hydraulic Pump Regulator 2
1	Case	1		FYB00002873 NSEP; SUB FOR 1036883
2	4179155	Sleeve	1		
3	4179156	Spool	1		
5	4375722	Cylinder	1		
6	4360590	Piston	1		
7	TH102560	O-Ring	1		SUB FOR 4150302
8	4085607	Back-Up Ring	1		
9	4297380	O-Ring	1		
11	4179161	Stop	2		
12	4368619	Stop	1		
13	4342843	O-Ring	3		
14	4342841	O-Ring	2		
15	4068898	Nut	2		
16	14M7273	Nut	2		M8, SUB FOR M500807
18	4346522	Sleeve	1		
19	4346521	Valve Spool	1		
21	4451498	Piston	1		
22	4179171	Piston	1		
24	4347107	Stop	1		
26	4616531	Compression Spring	1		
27	4616533	Compression Spring	1		
28	4350928	Compression Spring	1		
30	22M7098	Set Screw	1		M10 X 25, SUB FOR 4265964
31	14M7274	Nut	1		M10, SUB FOR J950010
32	Cover	1		4433327 NSEP
34	Cover	1		3118701 NSEP
35	4611012	Piston	1		
36	CH11560	Packing	1		SUB FOR 4180349
37	19M8446	Screw	8		M8 X 20, SUB FOR M340820
39	9134110	Fitting	1		
39A	0981201	O-Ring	1		SUB FOR 957366
43	19M8339	Screw	2		M10 X 55, SUB FOR M341056
50	9312792	Solenoid Valve	1		
50A	4153534	O-Ring	1		
50B	TH102560	O-Ring	2		SUB FOR 4150302
50C	4153087	O-Ring	1		
52	19M8574	Screw	2		M10 X 85, SUB FOR M341090
53	19M8337	Screw	2		M10 X 30, SUB FOR M341030
55	4436536	Sensor	1		Pressure
55A	4509180	O-Ring	1		SUB FOR 4153095 AND 4301675
57	4174541	Fitting	1		
57A	4506418	O-Ring	1		
90	FYB00000330	Seal Kit	1		

Pilot Pump Components

TX1155907 A.1



TX1155907

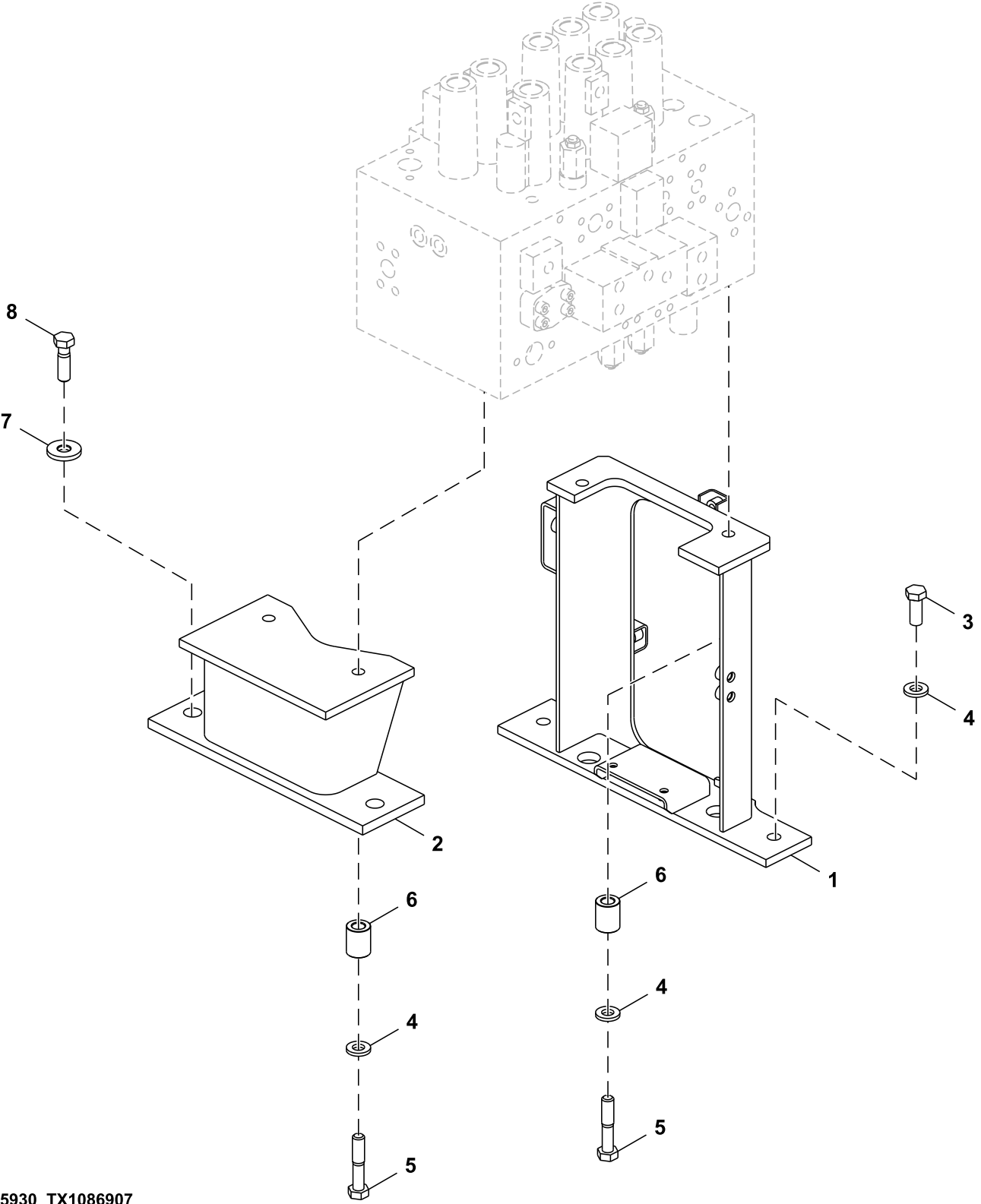
30 — 3,5,6,9,12

21 Vehicle Main Hydraulic System
2161 Hydraulic Pumps & Drives

Key	Part No.	Part Name	Qty.	Serial No.	Remarks
0	9218005	Pump	1		Pilot
1	Housing	1		NLA
2	Flange	1		2050209 NLA
3	3097272	Seal	1		
5	40M1855	Snap Ring	1		SUB FOR 447068
6	3095748	Seal	2		SUB FOR 1031045
7	Cover	1		4605732 NLA
9	4487250	Ring	2		
10	4484119	Key	2		
12	4488720	O-Ring	2		
13	Gear	1		NLA
14	Gear	1		NLA
15	4605742	Washer	4		
16	4605670	Bolt	4		
26	Bushing	2		NLA
27	Bushing	2		NLA
28	J400613	Dowel Pin	4		SUB FOR 400613
30	4487340	Seal Kit	1		

Control Valve Mounting Brackets

9315930_TX1086907 D.1



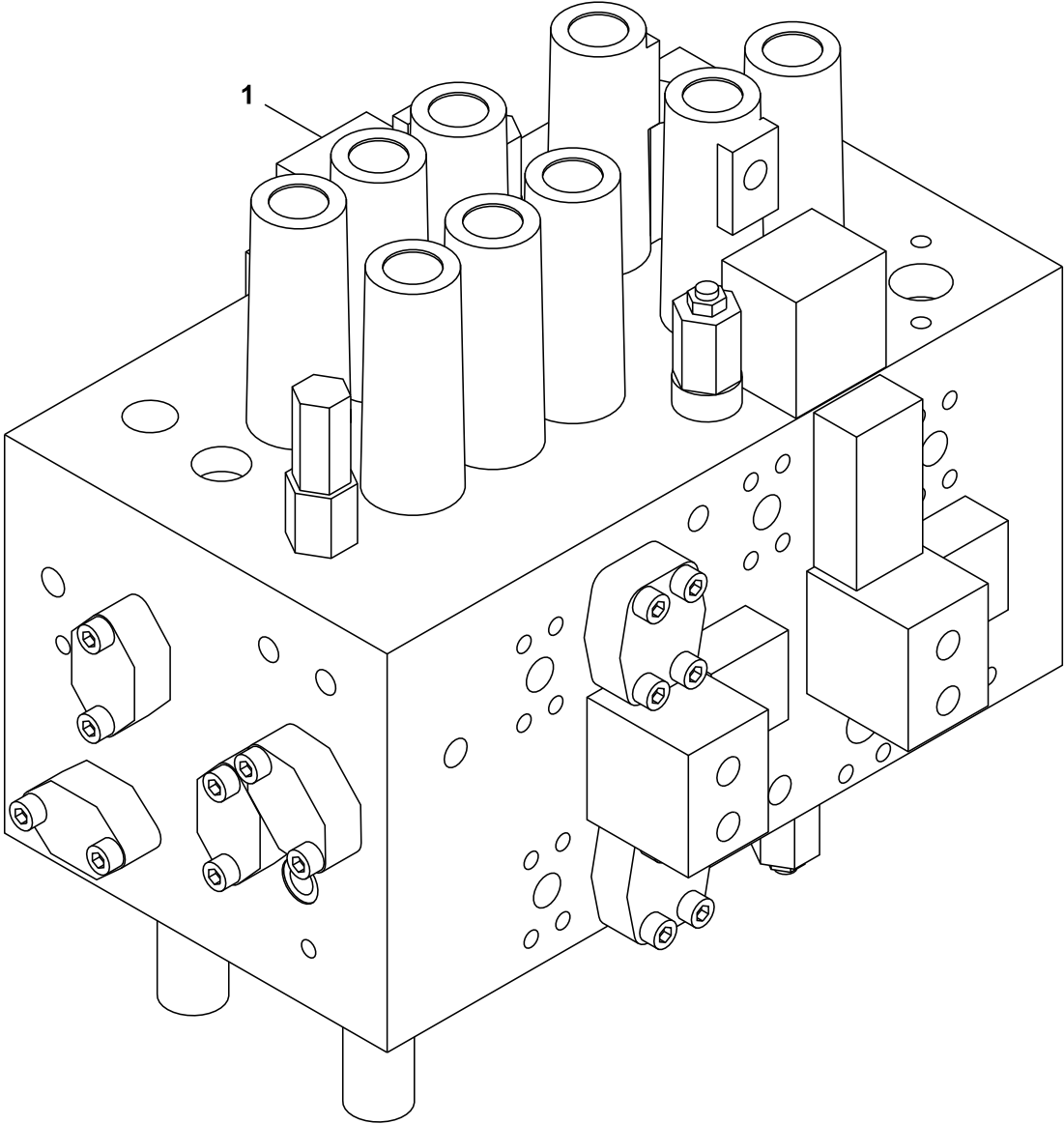
9315930_TX1086907

21 Vehicle Main Hydraulic System
2162 Hyd Selective Control & Load Holding Valves

<i>Key</i>	<i>Part No.</i>	<i>Part Name</i>	<i>Qty.</i>	<i>Serial No.</i>	<i>Remarks</i>
1	FF530878	Bracket	1		
2	FYA40004618	Bracket	1		
3	19M7488	Cap Screw	2		M16 X 40, SUB FOR J921640
4	24M7338	Washer	6		17 X 30 X 3 mm, SUB FOR J222016
5	19M7720	Cap Screw	4		M16 X 80, SUB FOR J921680
6	4646320	Spacer	4		
7	4650338	Washer	2		
8	19M8295	Cap Screw	2		M16 X 55, SUB FOR J921655

Control Valve

TX1181863 A.1



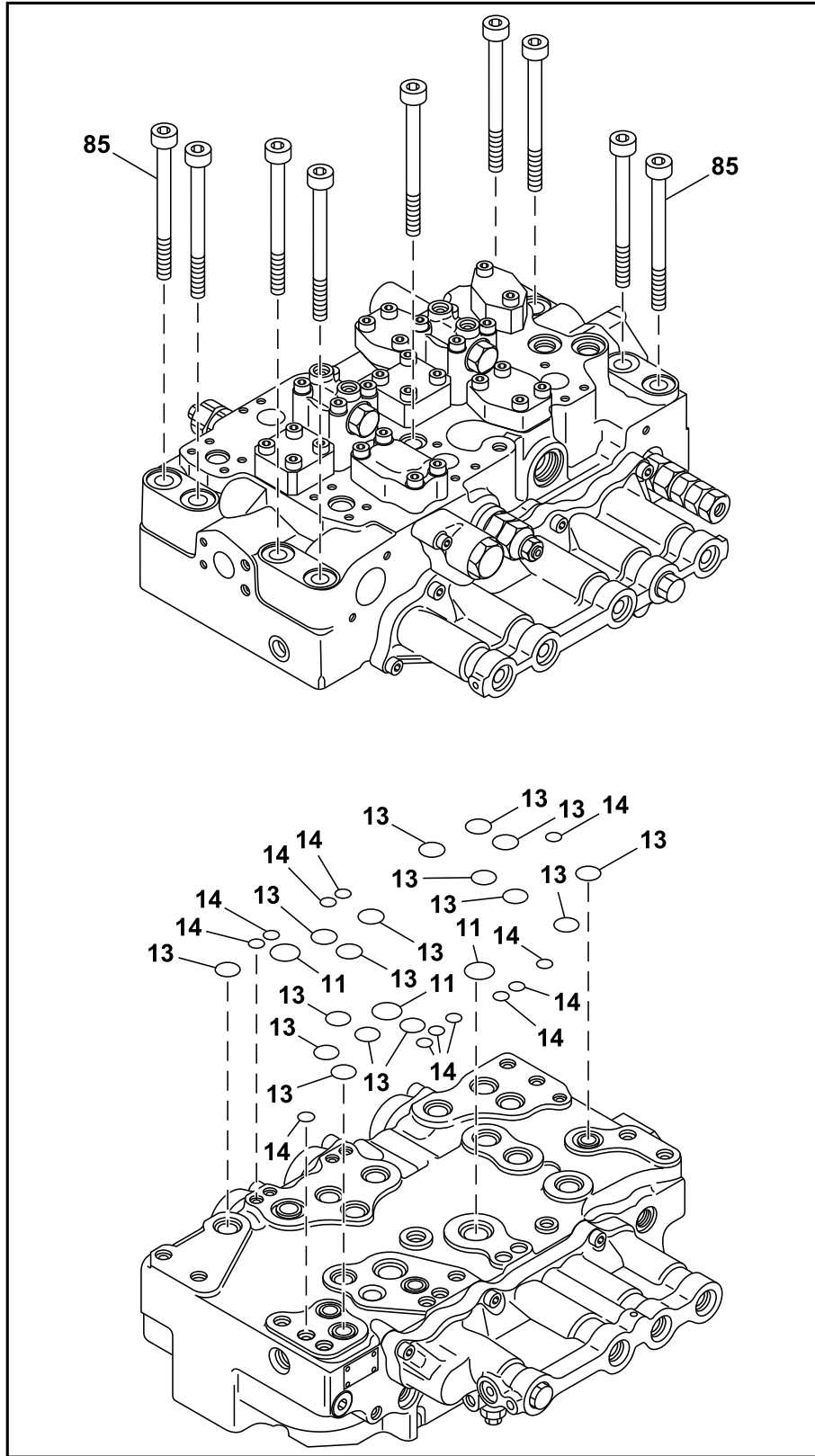
YA00000703_TX1181863

21 Vehicle Main Hydraulic System
2162 Hyd Selective Control & Load Holding Valves

<i>Key</i>	<i>Part No.</i>	<i>Part Name</i>	<i>Qty.</i>	<i>Serial No.</i>	<i>Remarks</i>
1	FYA00000703	Control Valve	1		Components On A Separate Page

Control Valve Hardware and O-Rings

TX1276336 A.1



0

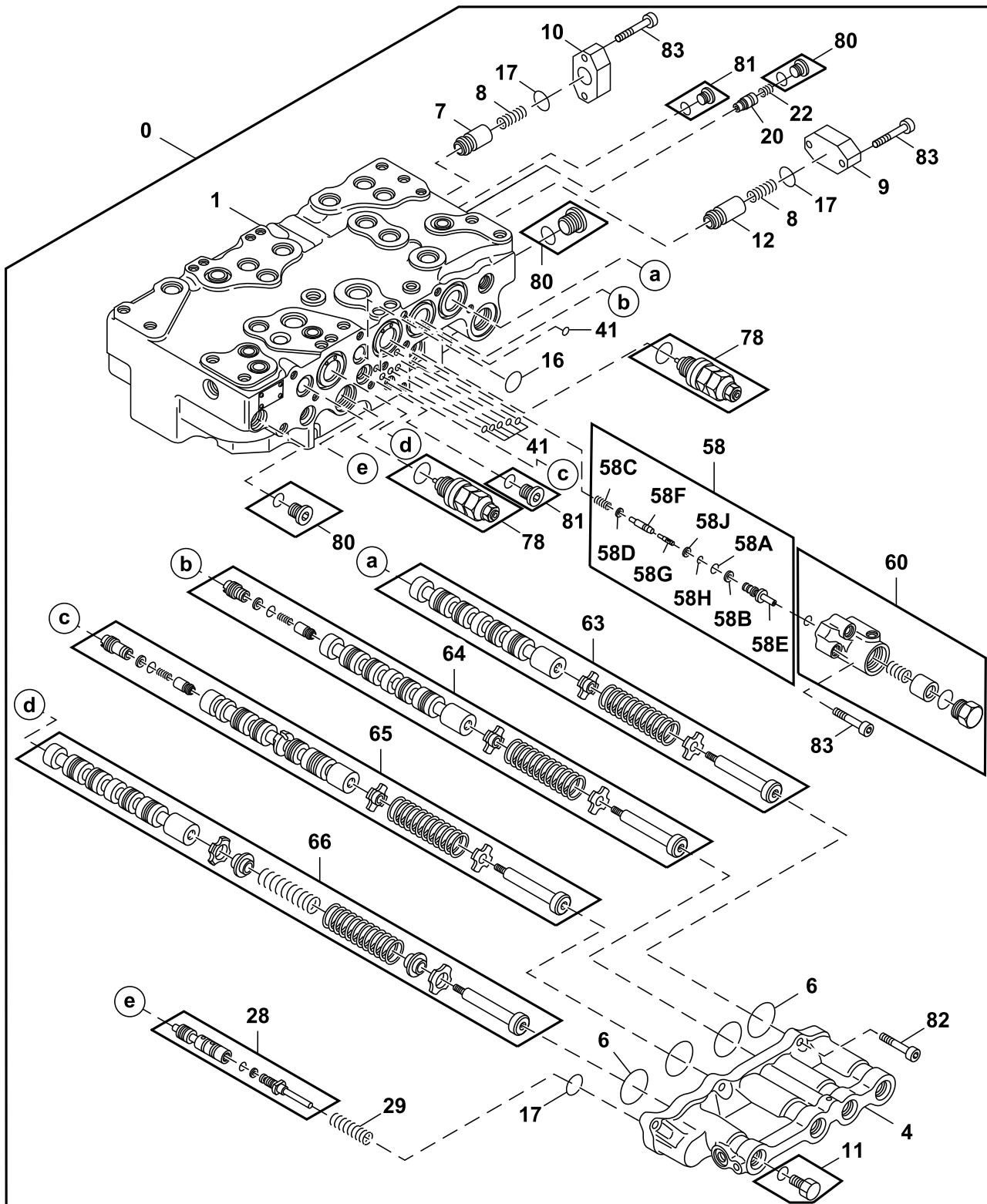
TX1276336

21 Vehicle Main Hydraulic System
2162 Hyd Selective Control & Load Holding Valves

<i>Key</i>	<i>Part No.</i>	<i>Part Name</i>	<i>Qty.</i>	<i>Serial No.</i>	<i>Remarks</i>
0	FYA00000703	Control Valve	1		Additional Components On Separate Pages
11	0682503	O-Ring	3		SUB FOR 0976601 AND 4S00730
13	0976602	O-Ring	16		SUB FOR 4S00734
14	FXB00008504	O-Ring	12		
85	0792007	Bolt	9		

Control Valve Body and Spools, 4-Spool Side

TX1276343 B.2



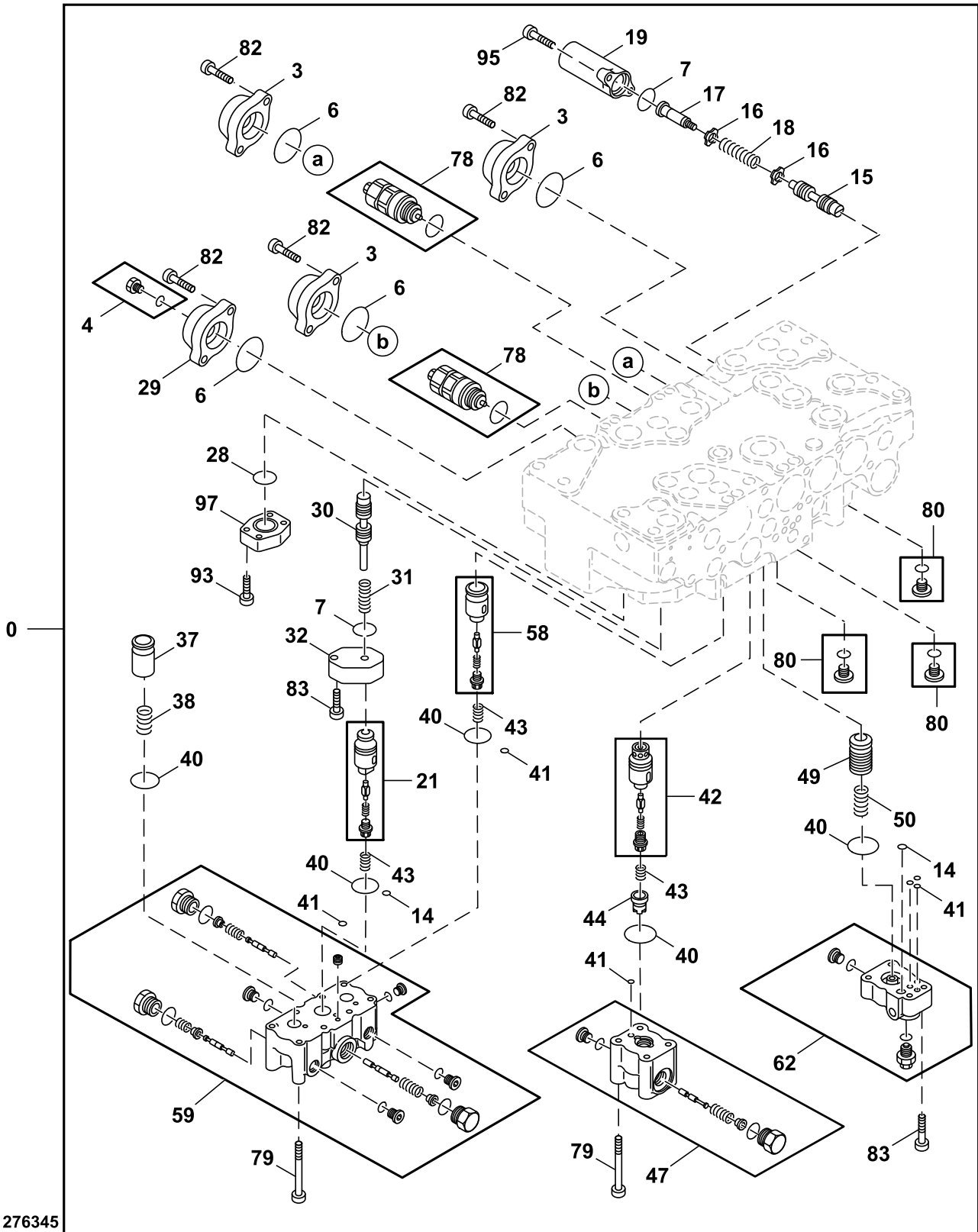
TX1276343

21 Vehicle Main Hydraulic System
2162 Hyd Selective Control & Load Holding Valves

Key	Part No.	Part Name	Qty.	Serial No.	Remarks
0	FYA00000703	Control Valve	1		Additional Components On Separate Pages NSEP
1	Housing	1		
4	0976702	Cap	1		
6	FXB00008503	O-Ring	4		
7	0668111	Poppet	1		
8	0668112	Spring	2		
9	0791601	Flange	1		
10	0792001	Flange	1		
11	0332914	Drain Plug	1		SUB FOR 0309732
12	0792002	Poppet	1		
16	0976602	O-Ring	1		SUB FOR 0792003, AT264354, AND 4S00734
17	CH17886	Packing	3		SUB FOR 4226446
20	0792005	Poppet	1		
22	0668007	Spring	1		
28	Valve Spool	1		NSEP
29	0791914	Spring	1		
41	4506406	O-Ring	6		
58	0791818	Poppet	1		
58A	CH10571	Packing	1		SUB FOR 933226
58B	0332924	Back-Up Ring	1		
58C	0791808	Spring	1		
58D	0791809	Valve Seat	1		
58E	Sleeve	1		NSEP
58F	Poppet	1		NSEP
58G	Valve Spool	1		NSEP
58H	CH11560	Packing	1		SUB FOR 4140436
58J	4105067	Back-Up Ring	1		
60	0976704	Housing	1		
63	Valve Spool	1		NSEP
64	Valve Spool	1		NSEP
65	Valve Spool	1		NSEP
66	Valve Spool	1		NSEP
78	4358914	Pressure Relief Valve	2		
80	0695007	Fitting Plug	3		INCLUDES CH11570
	CH11570	O-Ring	1		
81	0689405	Fitting Plug	2		
82	19M8337	Screw	6		M10 X 30, SUB FOR 0459541
83	4720520	Bolt	7		

Control Valve End Caps, 4-Spool Side

TX1276345 B.1

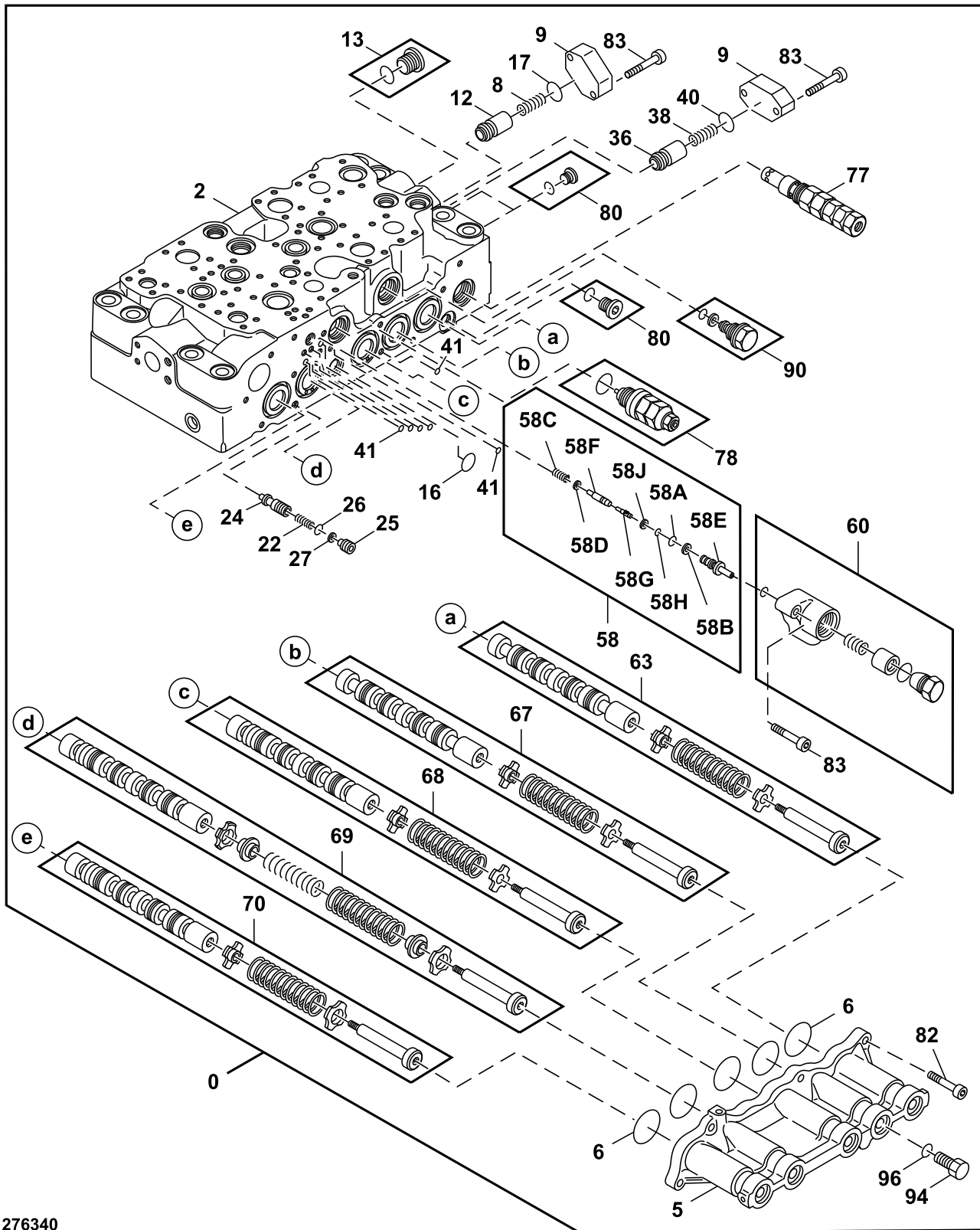


21 Vehicle Main Hydraulic System
2162 Hyd Selective Control & Load Holding Valves

Key	Part No.	Part Name	Qty.	Serial No.	Remarks
0	FYA00000703	Control Valve	1		Additional Components On Separate Pages
3	0791801	Cap	3		
4	0309731	Fitting Plug	1		
6	FXB00008503	O-Ring	4		
7	CH17886	Packing	2		SUB FOR 4226446
14	FXB00008504	O-Ring	2		
15	Valve Spool	1		NSEP
16	0332904	Retainer	2		
17	0735807	Spool	1		
18	0791902	Spring	1		
19	0791803	Cap	1		
21	0977201	Poppet	1		
28	0224422	O-Ring	1		NSEP
29	0791816	Cap	1		
30	Valve Spool	1		
31	0976802	Spring	1		
32	0791702	Flange	1		
37	0791603	Poppet	1		
38	0791604	Spring	1		
40	985098	O-Ring	5		
41	4506406	O-Ring	6		
42	0976803	Poppet	1		
43	0791606	Spring	3		
44	0791607	Spacer	1		
47	0976804	Housing	1		
49	0791619	Poppet	1		
50	0791620	Spring	1		
58	0976805	Poppet	1		
59	FXB00001449	Housing	1		
62	0976807	Housing	1		
78	4358914	Pressure Relief Valve	2		
79	0791622	Bolt	12		
80	0695007	Fitting Plug	3		
	CH11570	O-Ring	1		INCLUDES CH11570
82	19M8337	Screw	8		
83	4720520	Bolt	6		
93	FXB00008507	Bolt	4		M10 X 30, SUB FOR 0459541
95	0455002	Bolt	2		
97	0413712	Cap	1		

Control Valve Body and Spools, 5-Spool Side

TX1276340 B.1



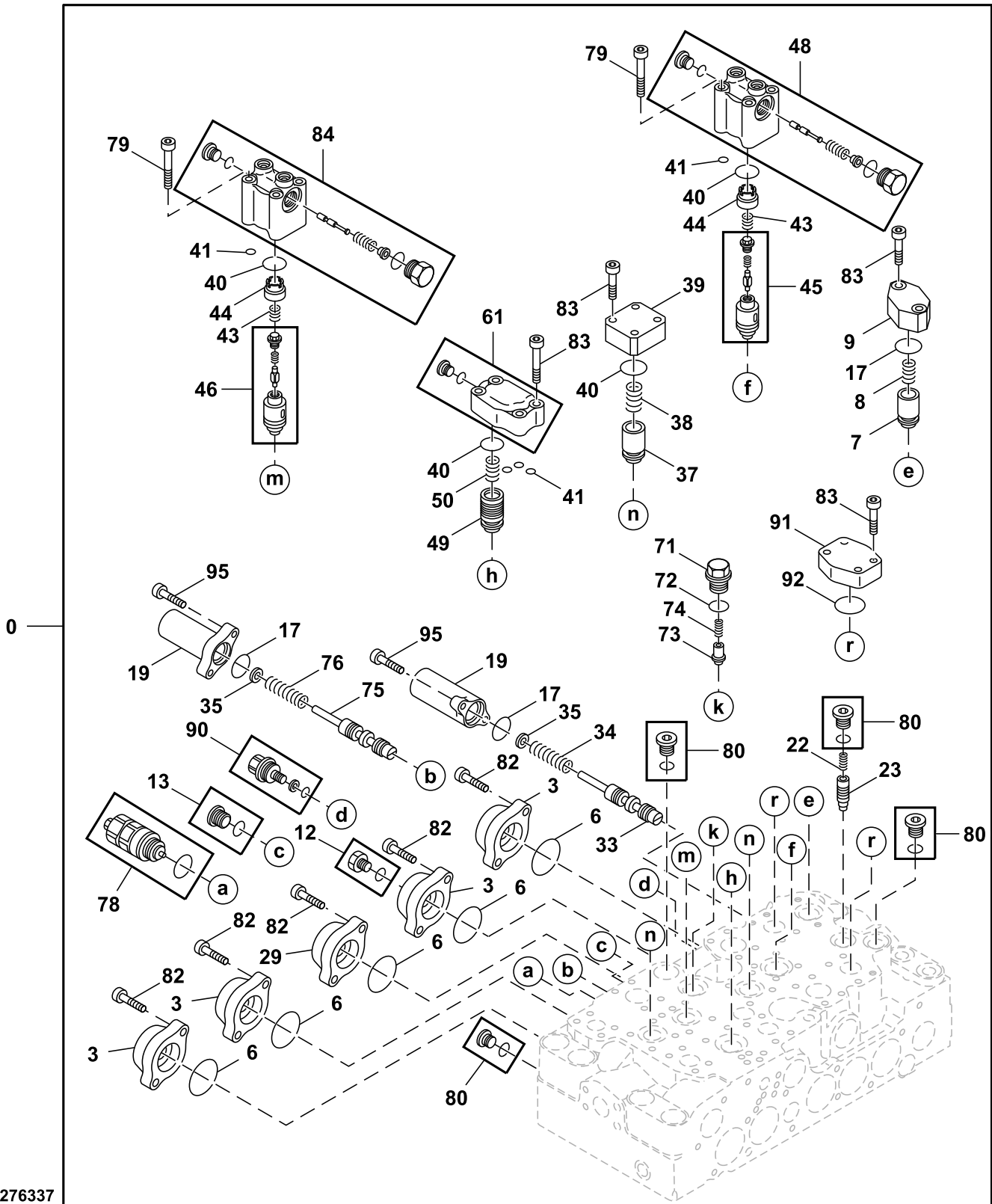
TX1276340

21 Vehicle Main Hydraulic System
2162 Hyd Selective Control & Load Holding Valves

Key	Part No.	Part Name	Qty.	Serial No.	Remarks
0	FYA00000703	Control Valve	1		Additional Components On Separate Pages NSEP
2	Housing	1		
5	0976901	Cap	1		
6	FXB00008503	O-Ring	5		
8	0668112	Spring	1		
9	0791601	Flange	2		
12	0792002	Poppet	1		
13	0668108	Fitting Plug	1		INCLUDES 4506418
	4506418	O-Ring	1		
16	0976602	O-Ring	1		SUB FOR 0792003, AT264354, AND 4S00734 SUB FOR 4226446
17	CH17886	Packing	1		
22	0668007	Spring	1		
24	0791804	Poppet	1		
25	0791805	Spacer	1		
26	FXB00008505	O-Ring	1		
27	0332924	Back-Up Ring	1		SUB FOR 4144044
36	0792006	Poppet	1		
38	0791604	Spring	1		
40	985098	O-Ring	1		
41	4506406	O-Ring	6		
58	0791818	Poppet	1		
58A	CH10571	Packing	1		SUB FOR 933226 SUB FOR 4144044
58B	0332924	Back-Up Ring	1		
58C	0791808	Spring	1		
58D	0791809	Valve Seat	1		
58E	Sleeve	1		NSEP NSEP
58F	Poppet	1		
58G	Spool	1		NSEP SUB FOR 939356
58H	CH11560	Packing	1		
58J	4105067	Back-Up Ring	1		
60	0976704	Housing	1		
63	Spool	1		NSEP NSEP
67	Spool	1		
68	Spool	1		NSEP NSEP NSEP
69	Spool	1		
70	Spool	1		
77	FYA00011313	Pressure Relief Valve	1		
78	4358914	Pressure Relief Valve	1		
80	0695007	Fitting Plug	3		INCLUDES CH11570
	CH11570	O-Ring	1		
82	19M8337	Screw	6		M10 X 30, SUB FOR 0459541
83	4720520	Bolt	7		
90	0667927	Fitting Plug	1		
94	0667931	Fitting Plug	1		
96	CH11570	O-Ring	1		SUB FOR 4509180

Control Valve End Caps, 5-Spool Side

TX1276337 A.1



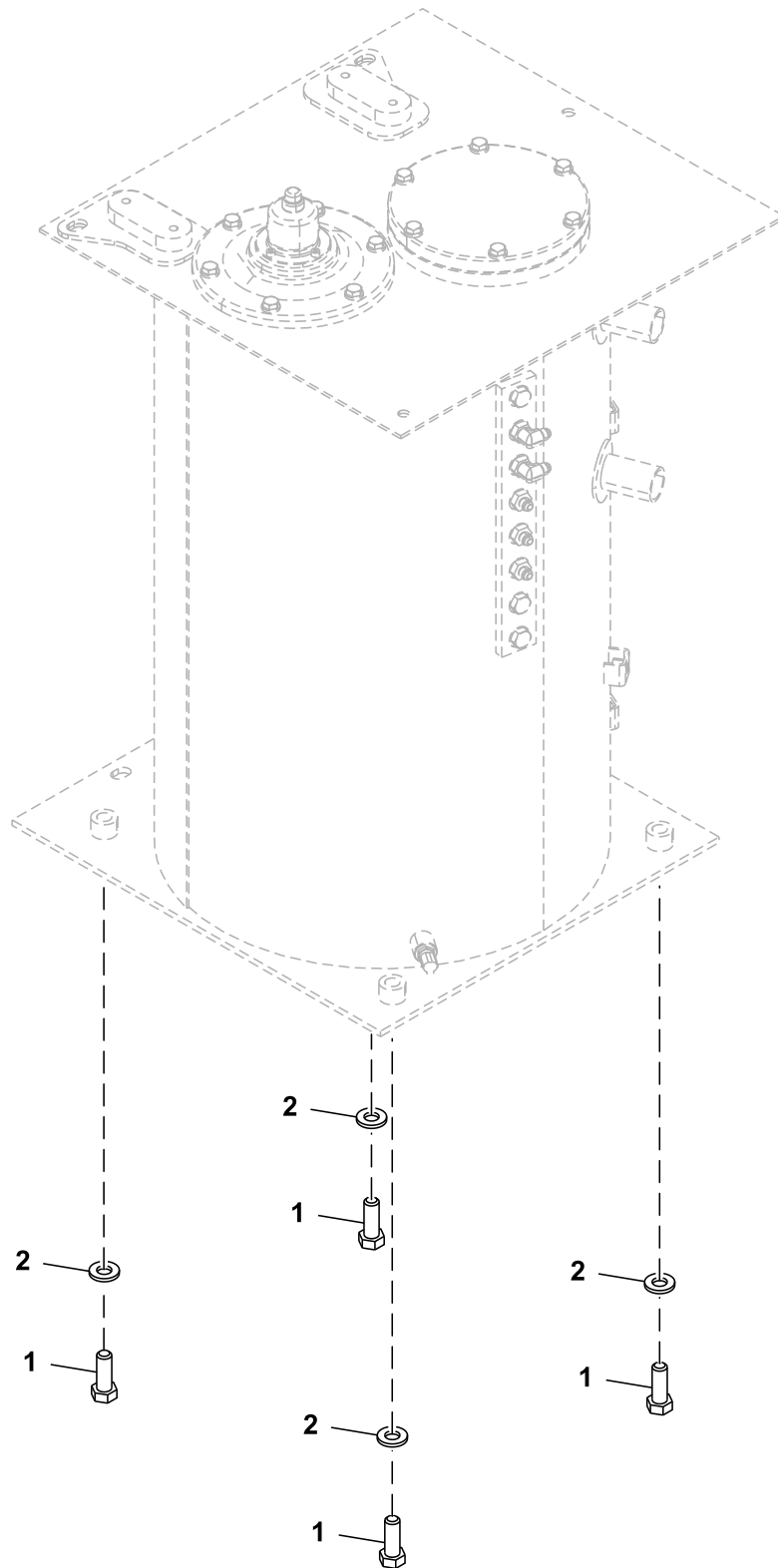
TX1276337

21 Vehicle Main Hydraulic System
2162 Hyd Selective Control & Load Holding Valves

Key	Part No.	Part Name	Qty.	Serial No.	Remarks
0	FYA00000703	Control Valve	1		Additional Components On Separate Pages
3	0791801	Cap	4		
6	FXB00008503	O-Ring	5		
7	0668111	Poppet	1		
8	0668112	Spring	1		
9	0791601	Flange	1		
12	0218607	Pipe Plug	1		INCLUDES 4297380
	4297380	O-Ring	1		
13	0668108	Fitting Plug	1		INCLUDES 4506418
	4506418	O-Ring	1		
17	CH17886	Packing	3		SUB FOR 4226446
19	0791803	Cap	2		
22	0668007	Spring	1		
23	0791602	Poppet	1		
29	0791816	Cap	1		
33	Spool	1		NSEP
34	1120801	Spring	1		
35	0791807	Washer	2		
37	0791603	Poppet	2		
38	0791604	Spring	2		
39	0791605	Flange	2		
40	985098	O-Ring	5		
41	4506406	O-Ring	5		
43	0791606	Spring	2		
44	0791607	Spacer	2		
45	0977202	Poppet	1		
46	0977203	Poppet	1		
48	0977003	Housing	1		
49	0791619	Poppet	1		
50	0791620	Spring	1		
61	0977004	Housing	1		
71	0714504	Fitting Plug	1		
72	4506418	O-Ring	1		
73	0714503	Poppet	1		
74	0225209	Spring	1		
75	Spool	1		NSEP
76	0977204	Spring	1		
78	4358914	Pressure Relief Valve	1		
79	0791622	Bolt	8		
80	0695007	Fitting Plug	4		INCLUDES CH11570
	CH11570	O-Ring	1		
82	0459541	Bolt	10		
83	4720520	Bolt	22		
84	0977206	Housing	1		
90	0667927	Fitting Plug	1		
91	0667726	Cap	2		
92	966993	O-Ring	2		
95	0455002	Bolt	4		

Hydraulic Oil Reservoir Mounting

TX1182432 A.1



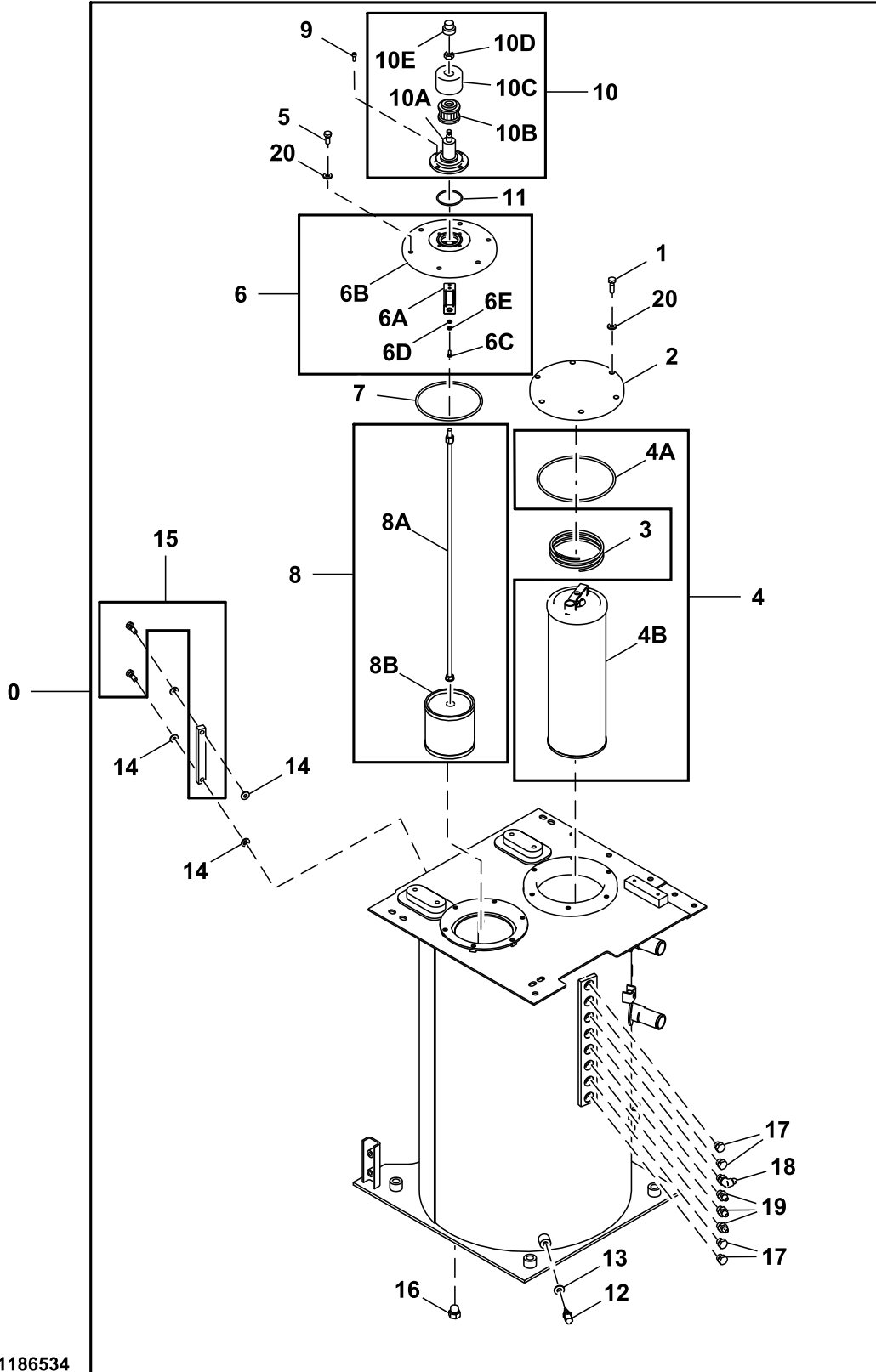
FF107743_TX1182432

21 Vehicle Main Hydraulic System
2164 Hydraulic Reservoir, Filter & Cooler

<i>Key</i>	<i>Part No.</i>	<i>Part Name</i>	<i>Qty.</i>	<i>Serial No.</i>	<i>Remarks</i>
1	J921850	Bolt	4		
2	24M7353	Washer	4		20 X 34 X 3 mm, SUB FOR J222018

Hydraulic Oil Reservoir

TX1186534 B.2



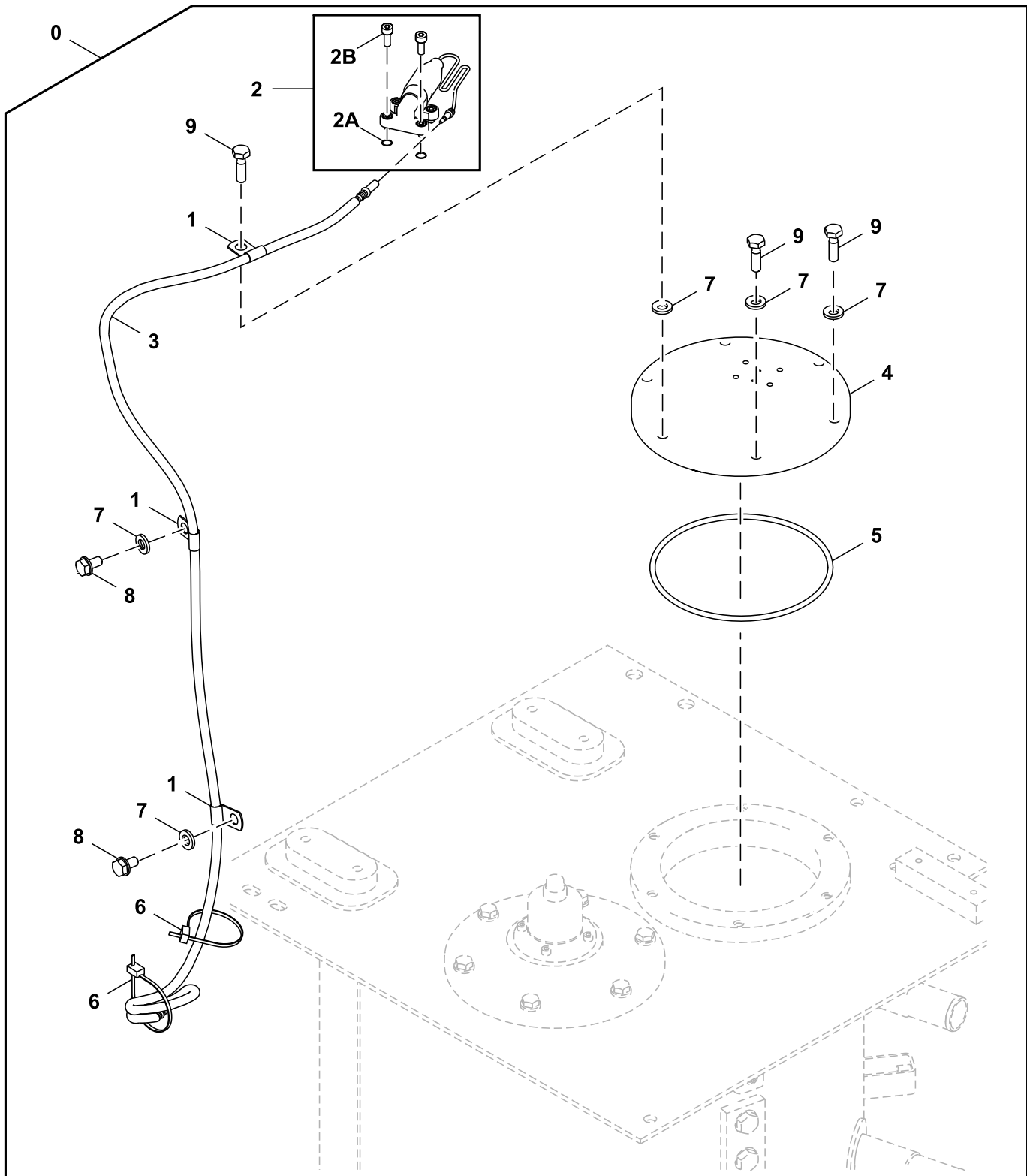
FF531287_TX1186534

21 Vehicle Main Hydraulic System
2164 Hydraulic Reservoir, Filter & Cooler

Key	Part No.	Part Name	Qty.	Serial No.	Remarks
0	FF531287	Hydraulic Reservoir	1		Oil
1	19M7550	Cap Screw	6		M10 X 35, SUB FOR J901035
2	4440802	Cover	1		SUB FOR 4639235
3	4472673	Spring	1		
4	FYA00033065	Filter	1		Hydraulic Oil
4A	T110444	O-Ring	1		SUB FOR A810190
4B	FYA00033064	Filter Element	1		Hydraulic Oil, SUB FOR FYA00026486
5	19M7402	Cap Screw	6		M10 X 25, SUB FOR J901025
6	9184556	Cover	1		
6A	4408661	Bracket	1		
6B	Cover	1		1025093 NSEP
6C	4350623	Bolt	1		
6D	4225466	Washer	1		
6E	4225472	Washer	1		
7	TH100679	O-Ring	1		SUB FOR A810160
8	Filter	1		Oil Suction, Furnish Components, 4626878 NLA
8A	4652733	Bolt	1		
8B	4648651	Strainer	1		
9	19M7768	Screw	4		M6 X 16, SUB FOR J780616
10	4434017	Filter	1		Air Breather
10A	Housing	1		4437833 NSEP
10B	4437838	Filter Element	1		Air Breather
10C	4437837	Cover	1		
10D	4371825	Nut	1		
10E	4437836	Cap	1		
11	A810060	Packing	1		
12	4697482	Sensor	1		Temperature
13	4250261	Gasket	1		
14	449558	Washer	4		SUB FOR Z449558
15	8053499	Level Gauge	1		
16	4174541	Fitting	1		SUB FOR A885004
17	A885003	Pipe Plug	4		
18	A852333	Elbow Fitting	1		
19	A852133	Adapter Fitting	3		
20	24M7346	Washer	12		11 X 20 X 2 mm, SUB FOR DH400703

Hydraulic Filter Restriction Indicator Kit

TX1173853 C.1



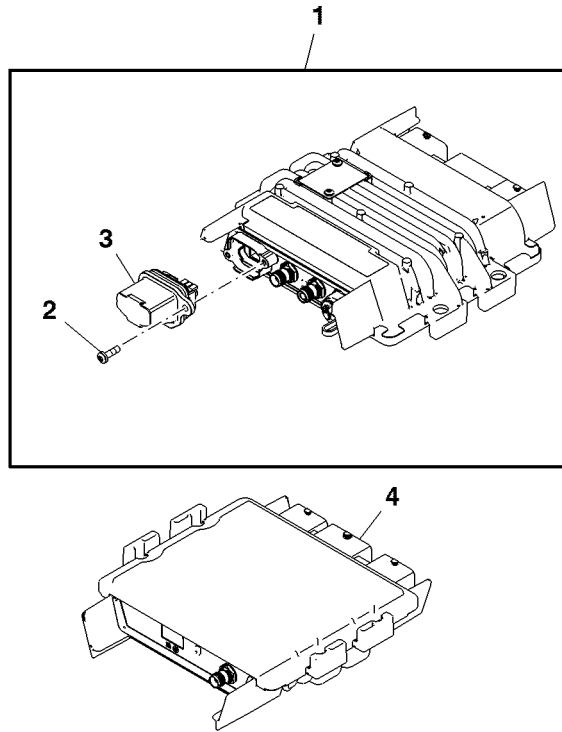
TX1173853

21 Vehicle Main Hydraulic System
2164 Hydraulic Reservoir, Filter & Cooler

Key	Part No.	Part Name	Qty.	Serial No.	Remarks
0	AT445803	Field Installation Kit	1		Whole Goods, Hydraulic Filter Restriction Indicator
1	4190275	Clamp	3		SUB FOR 4190261
2	4449478	Indicator	1		Hydraulic Filter Restriction Switch
2A	4506405	O-Ring	2		
2B	J780612	Bolt	4		
3	4464122	Wiring Harness	1		Hydraulic Filter Restriction Indicator
4	4643447G	Cover	1		SUB FOR 4643447
5	T110444	O-Ring	1		SUB FOR A810190
6	DH400240	Tie Band	2		
7	24M7346	Washer	8		11 X 20 X 2 mm, SUB FOR J222010
8	19M7938	Cap Screw	2		M10 X 20, SUB FOR J901020
9	19M7550	Cap Screw	6		M10 X 35, SUB FOR J901035

ZXLink™ Modular Telematics Gateway (MTG) and Satellite (SAT) Module Controller

PUPC100377 A.1



PUPC100377

Key	Part No.	Part Name	Qty.	Serial No.	Remarks
1	PF81438	Electronic Control Unit	1	(A)	
	PFA10255	Electronic Control Unit	1	(B)	
	PFA10319	Electronic Control Unit	1	(C)	
2	PFA10481	Electronic Control Unit	1	(C)	
	PF13564	Screw	2		
3	PF81429	Plug Kit	1		(D) USE WITH PF81438, PFA10319
	PFA10274	Plug	1		(E) USE WITH PFA10255
4	PFA10480	Plug	1		(C) USE WITH PFA10481, PFA10255
	PF81399	Electronic Control Unit	1	(F)	

(A) 2G Technology

(B) For China 2G

(C) Non-Deere SIM Use (3G Technology)

(D) Gray SIM Card Holder

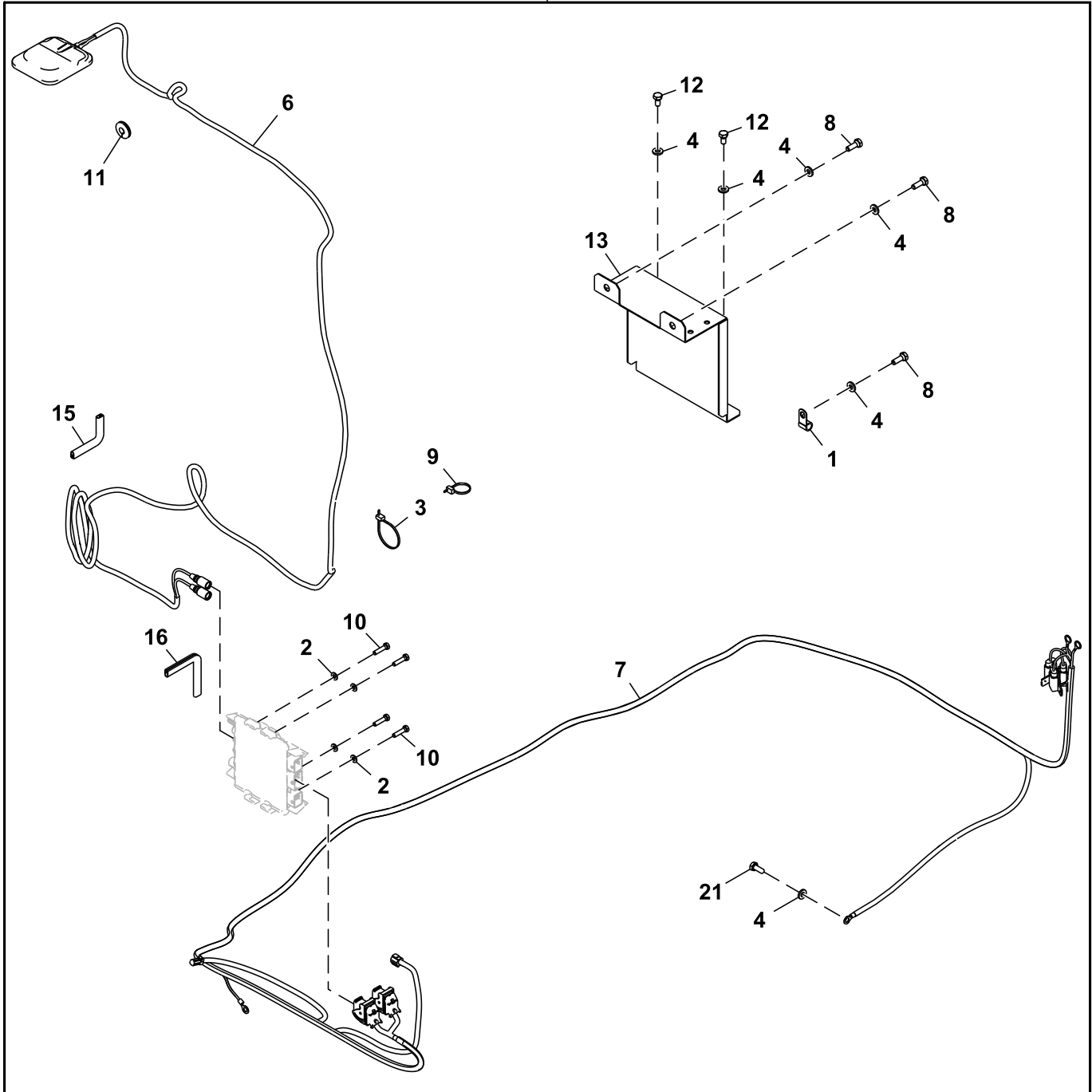
(E) Non-Deere Owned SIM

(F) Satellite Module

ZXLink™ MTG Assembly

TX1089371 C.1

20

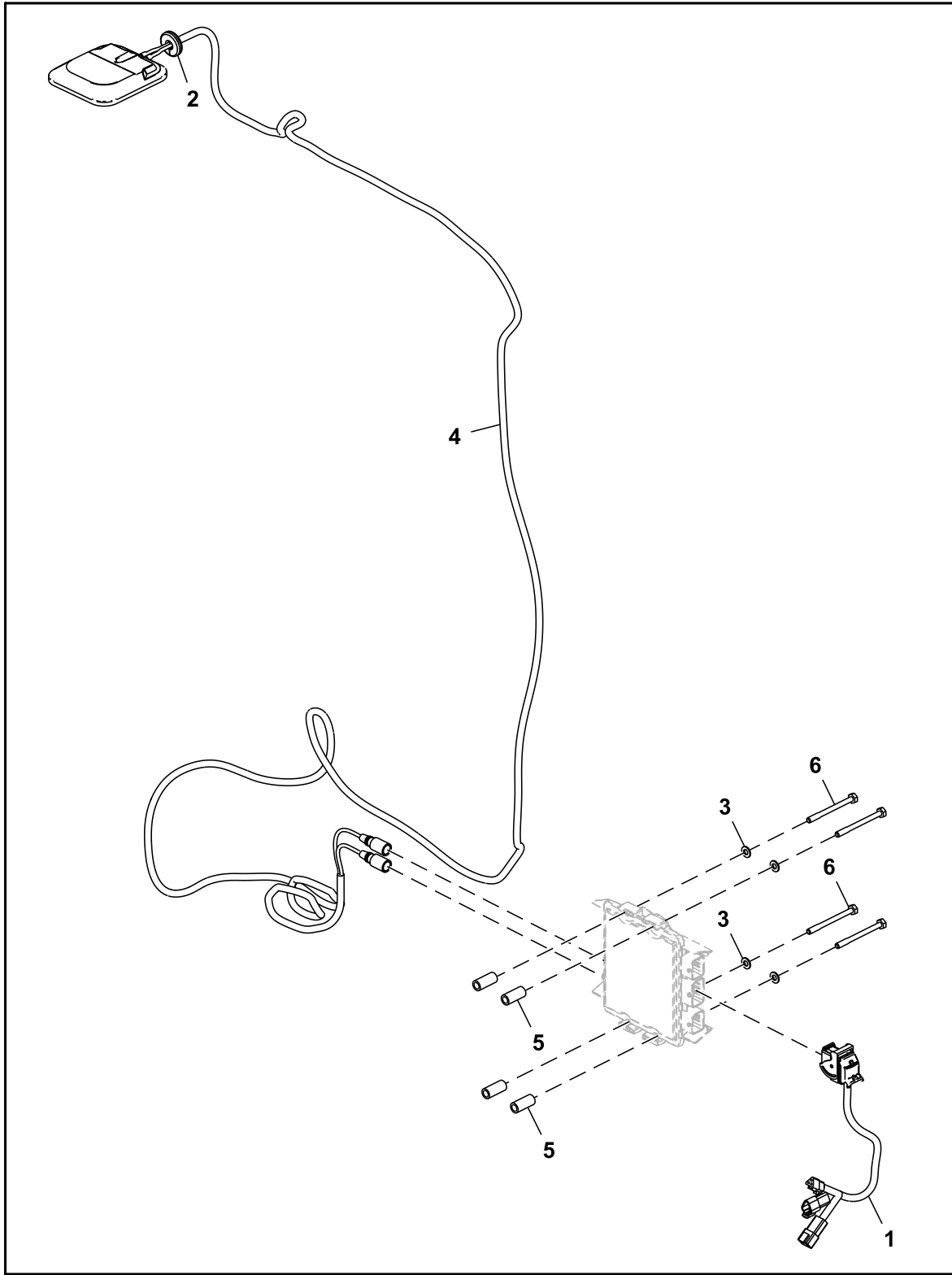


TX1089371

Key	Part No.	Part Name	Qty.	Serial No.	Remarks
1	4190275	Clamp	1		
2	24M7055	Washer	4		8.400 X 16 X 1.600 mm, SUB FOR A590108
3	DH400240	Tie Band	7		
4	24M7346	Washer	6		11 X 20 X 2 mm, SUB FOR DH400703
6	AT399832	Antenna	1		15 ft
7	AT377374	Wiring Harness	1		ZXLink™ Ultimate (MTG)
8	19M7662	Cap Screw	3		M10 X 30, SUB FOR J901030
9	H77698	Tie Band	8		SUB FOR 4055311
10	19M8008	Cap Screw	4		M8 X 35, SUB FOR J900835
11	R205544	Grommet	1		
12	19M7938	Cap Screw	2		M10 X 20, SUB FOR J901020
13	FF512574	Cover	1		SUB FOR FF509795
15	FF512478	Guard	1		
16	FF108183	Guard	1		
17	19M7402	Cap Screw	1		M10 X 25, SUB FOR J901025
20	AT422766	Multi-Func Controller Reman	1		SUB FOR AT396184 Includes MTG, Order Through Product Configurator
21	19M7402	Cap Screw	1		M10 X 25, SUB FOR J901025

ZXLink™ Satellite (SAT) Module Controller

TX1116060 C.1

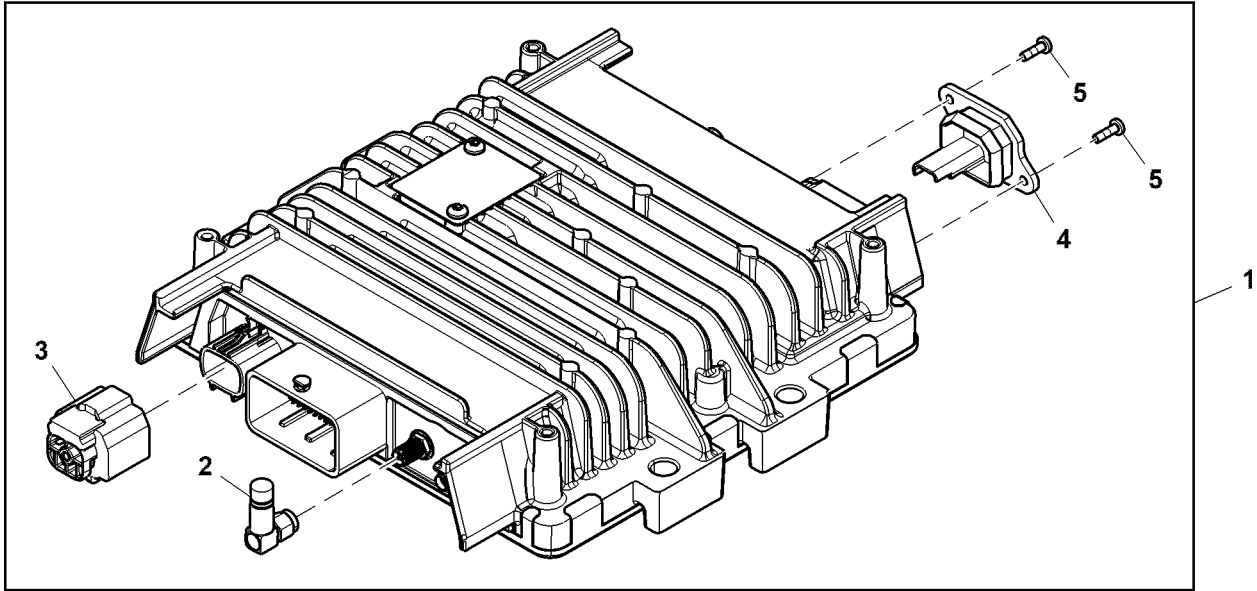


AT413732_TX1116060

Key	Part No.	Part Name	Qty.	Serial No.	Remarks
1	AT377294 57M8014 57M10614	Wiring Harness Elec. Connector Housing Elec. Connector Housing	1 1 1		SAT Option Jumper, INCLUDES 57M8014 AND 57M10614
2	L79337	Grommet	1		
3	24M7055	Washer	4		8.400 X 16 X 1.600 mm, SUB FOR A590108
4	AT374900	Antenna	1		SUB FOR PFA10259
5	T24359	Spacer	4		
6	19M8539	Cap Screw	4		M8 X 90, SUB FOR J900890
90	Field Installation Kit	1		Whole Goods, AT413732 NLA

ZXLink™ Modular Telematics Gateway, 4G LTE

PC368843 A.1

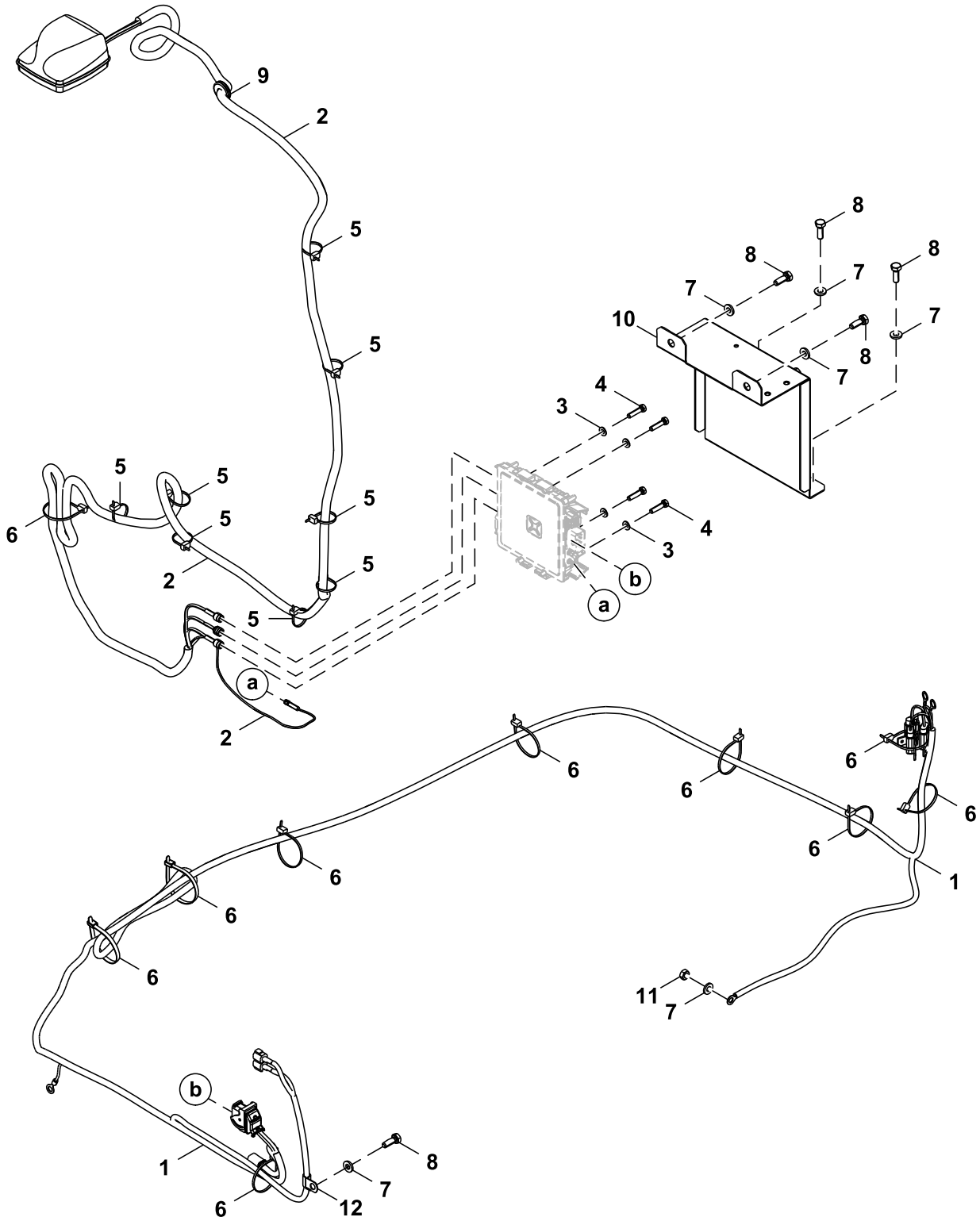


PC368843

Key	Part No.	Part Name	Qty.	Serial No.	Remarks
1	PFA10898	Electronic Control Unit	1		ORDER PFA11990
	PFA11990	Electronic Control Unit	1		
2	PFA10884	Antenna	1		
3	PH50229231	Electrical Connector Assy	1		
4	PH60228055	Cover	1		
5	21H1442	Screw	2		0.112" X 3/8"

ZXLink™ Modular Telematics Gateway (MTG) Assembly, 4G LTE

TX1268697 A.1

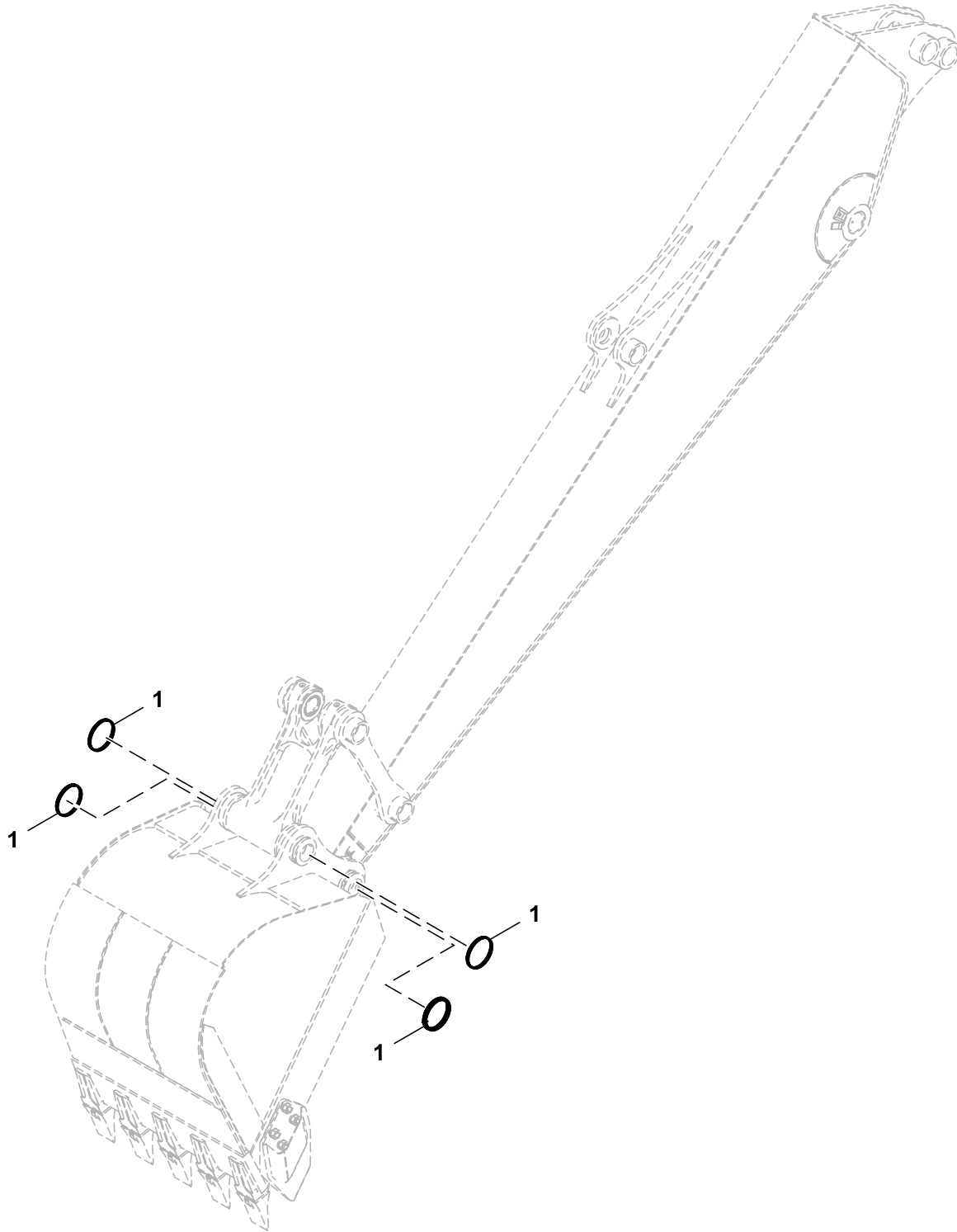


FF550996_TX1268697

Key	Part No.	Part Name	Qty.	Serial No.	Remarks
1	AT377374	Wiring Harness	1		ZXLink™ MTG
2	PFA10882	Antenna	1		SUB FOR PFA10881
3	24M7055	Washer	4		8.400 X 16 X 1.600 mm, SUB FOR A590108
4	19M7298	Cap Screw	4		M8 X 35, SUB FOR J900835
5	H77698	Tie Band	8		SUB FOR 4055311
6	DH400240	Tie Band	10		
7	24M7346	Washer	6		11 X 20 X 2 mm, SUB FOR DH400703
8	19M7662	Cap Screw	5		M10 X 30, SUB FOR J901030
9	L79337	Grommet	1		
10	FF512574	Cover	1		
11	14M7274	Nut	1		M10, SUB FOR J950010
12	AH79175	Clip	1		SUB FOR 4190272

Bucket Seals (340140 -)

TX1261955 A.1

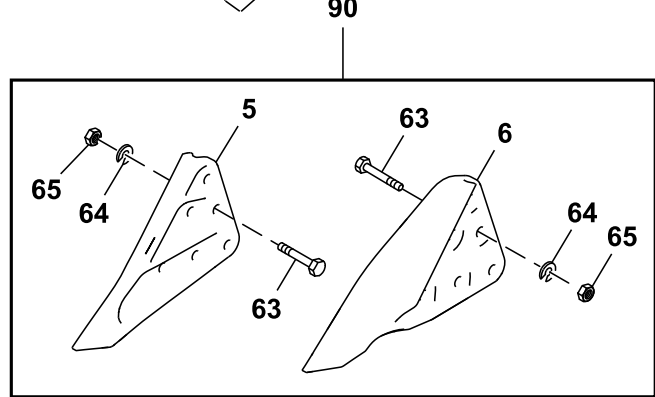
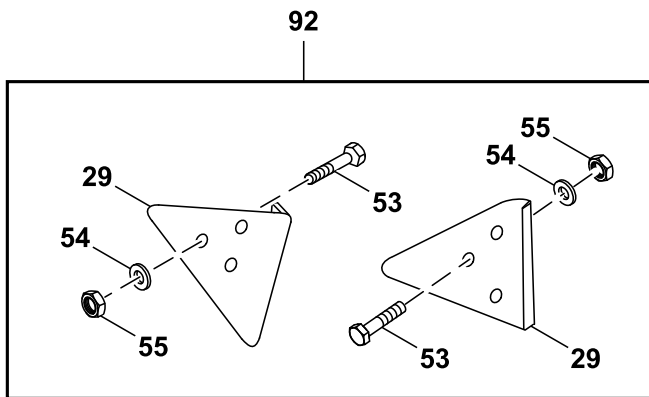
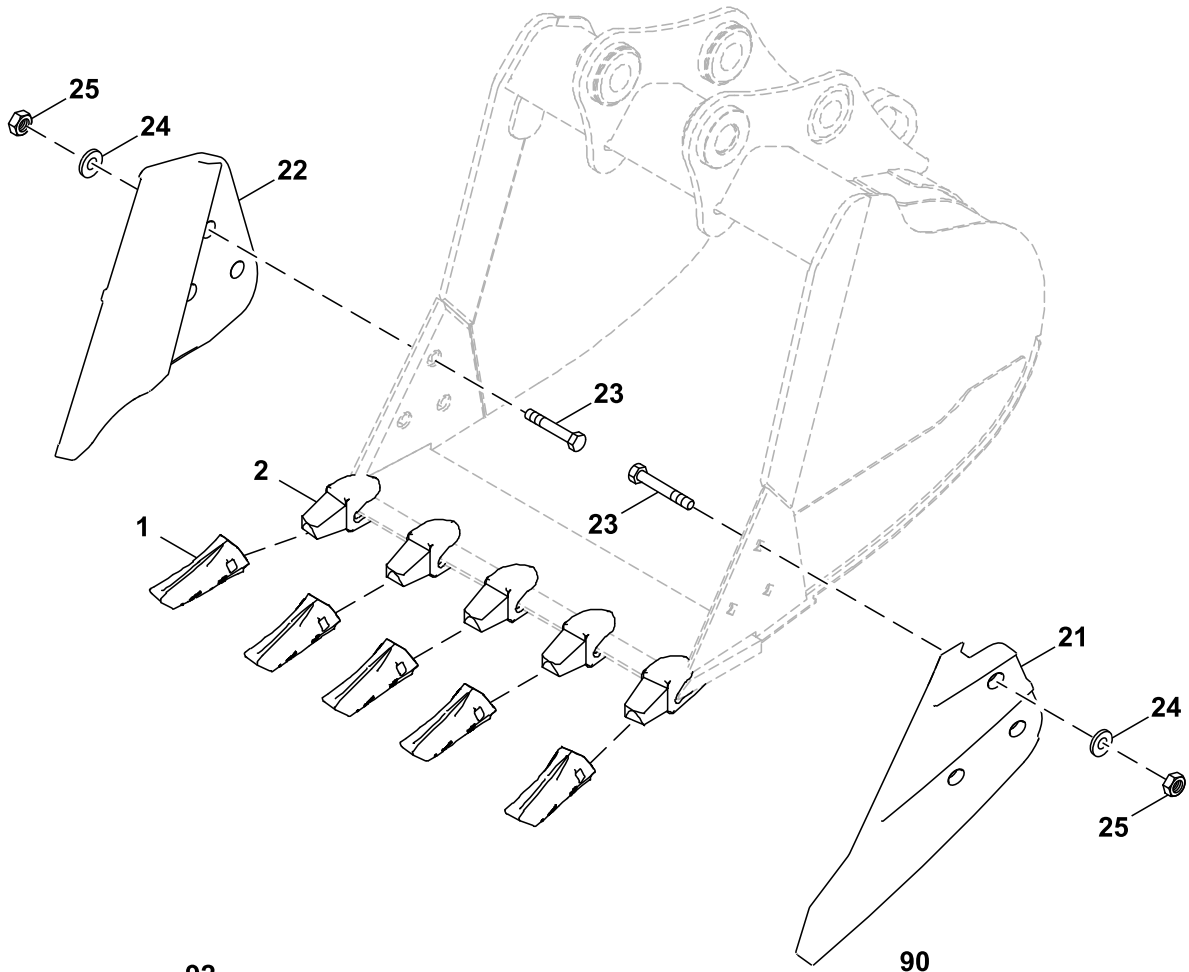


FF550425_TX1261955

Key	Part No.	Part Name	Qty.	Serial No.	Remarks
1	T379473	V-Ring Seal	4		
	T379473	V-Ring Seal	2		If Ordered Without Bucket
	4089028	O-Ring	4		If Ordered Without Bucket

Esco Ultralok™ Teeth, Heavy-Duty Bucket, 91.4 cm (36 in), 0.72 m³ (0.94 yd³)

TX1272776 A.1



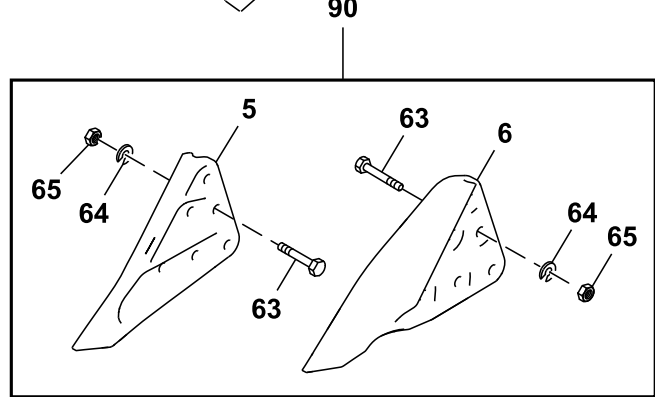
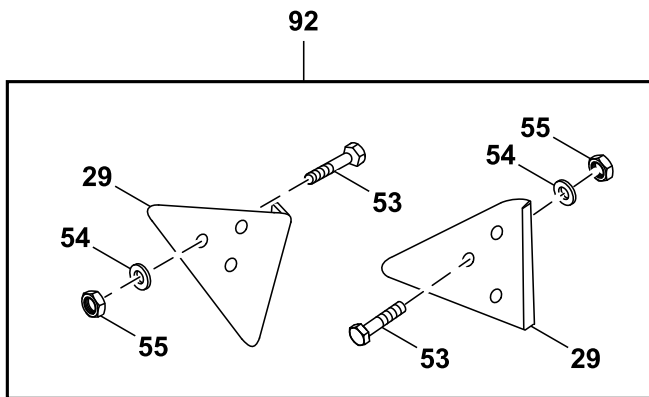
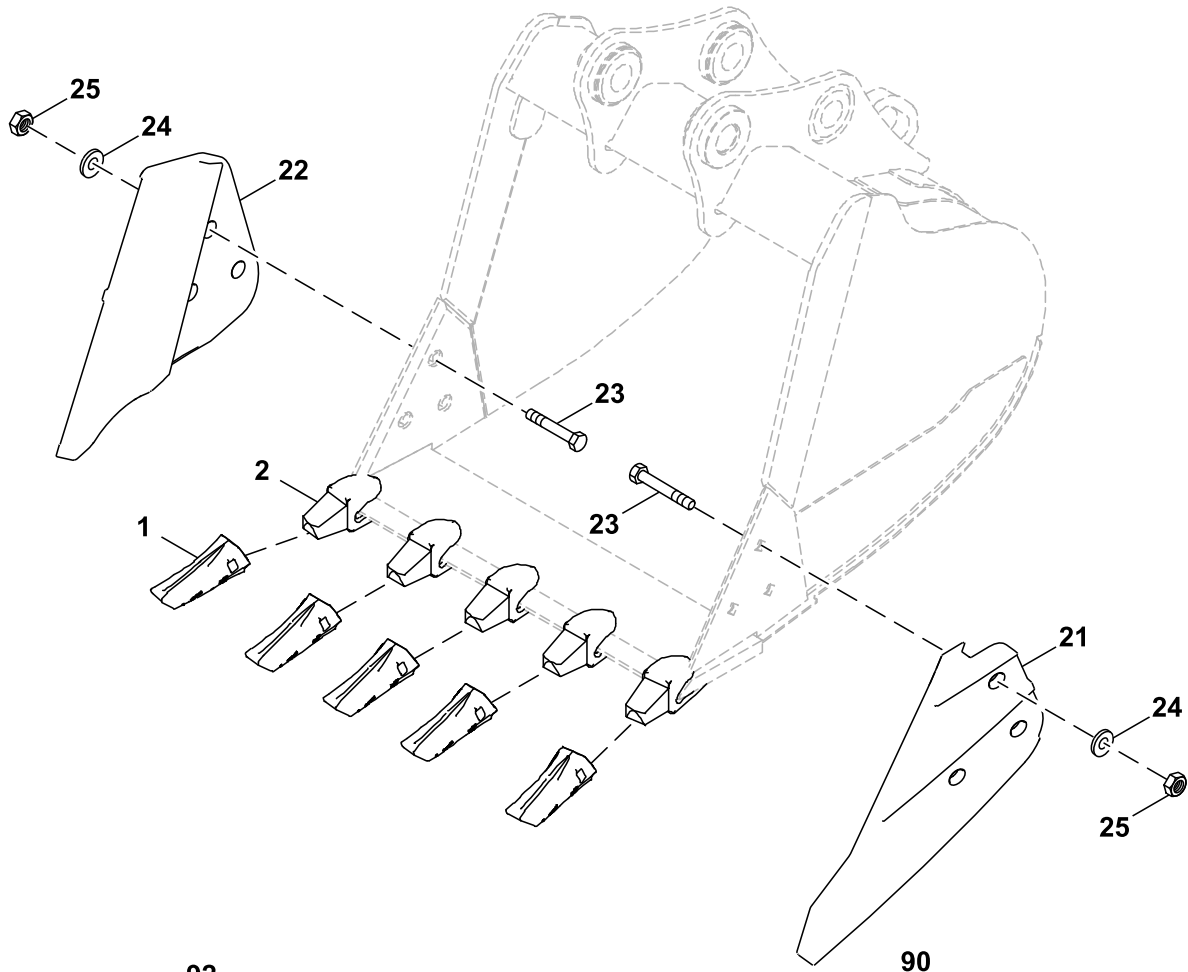
TX1272776

91 — 21,22,23,24,25

Key	Part No.	Part Name	Qty.	Serial No.	Remarks
1	EU35S	Tooth	5		
2	E5855U35	Bucket Tooth Adapter	5		
5	T1156A	End Bit	1		
6	T1157A	End Bit	1		
21	CE17748R3	End Bit	1		
22	CE17748L3	End Bit	1		
23	09H1772	Bolt	6		7/8" X 3-1/2"
24	12H245	Lock Washer	6		7/8"
25	14H1077	Nut	6		7/8"
29	TPDE31329	Shroud	2		
53	09H1772	Bolt	6		7/8" X 3-1/2"
54	12H245	Lock Washer	6		7/8"
55	14H1077	Nut	6		7/8"
63	09H1772	Bolt	12		7/8" X 3-1/2"
64	12H245	Lock Washer	12		7/8"
65	14H1077	Nut	12		7/8"
90	AT342513	End Bit	1		15.24 cm (6 in.), Side Cutter, Whole Goods
91	AT342512	End Bit	1		7.62 cm (3 in), Side Cutter, Whole Goods
92	AT342511	End Bit	1		Edge Protector, Whole Goods

Esco Ultralok™ Teeth, Heavy-Duty Bucket, 106.7 cm (42 in), 0.87 m³ (1.14 yd³)

TX1272776 A.1



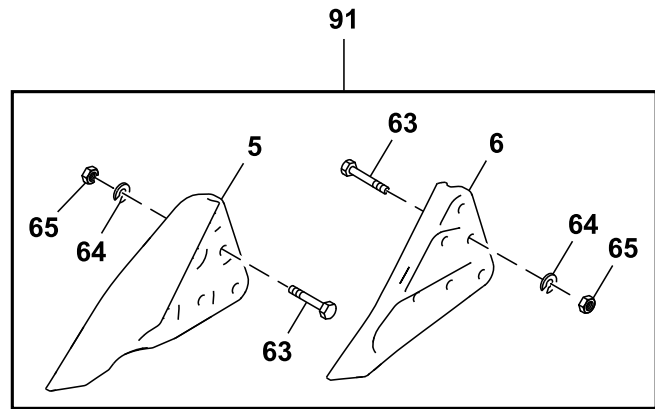
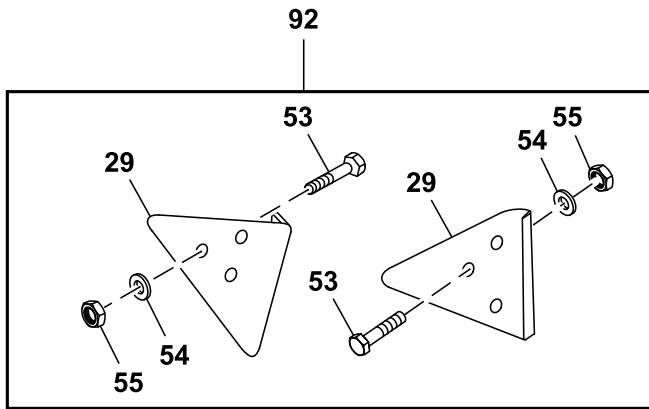
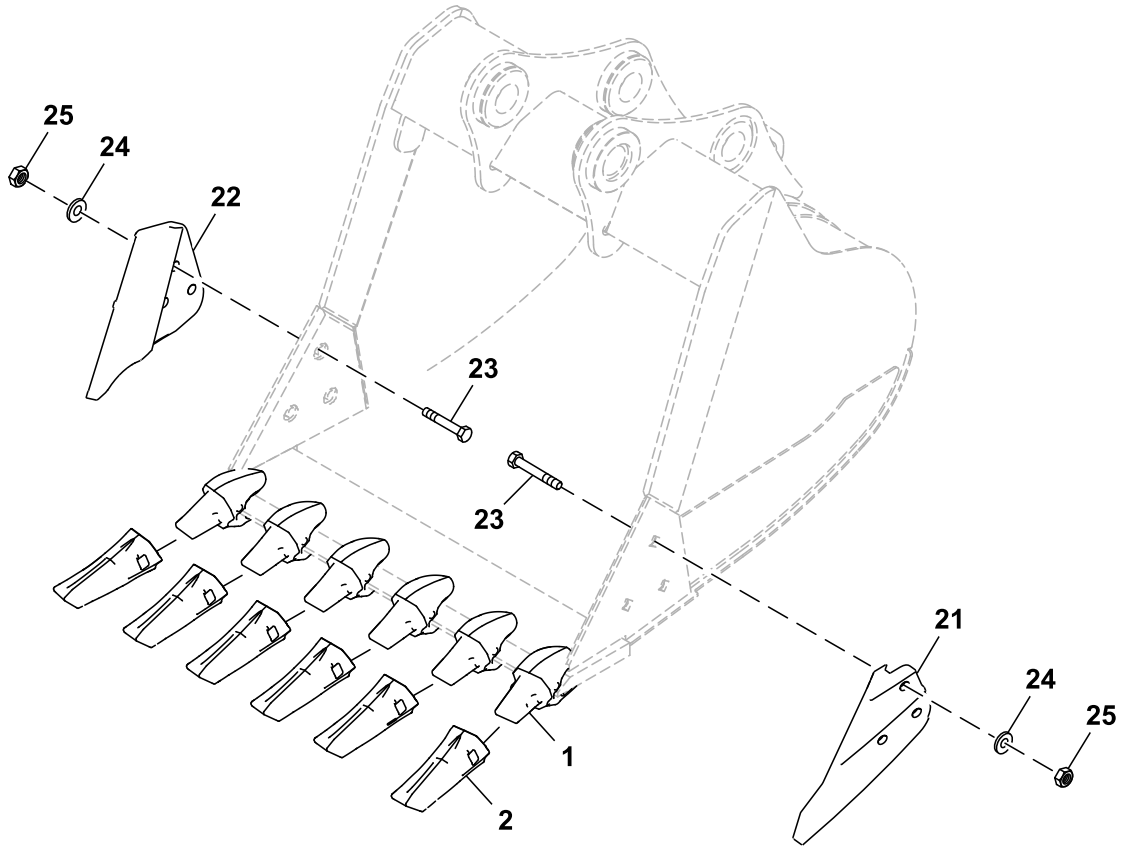
TX1272776

91 — 21,22,23,24,25

Key	Part No.	Part Name	Qty.	Serial No.	Remarks
1	EU35S	Tooth	5		
2	E5855U35	Bucket Tooth Adapter	5		
5	T1156A	End Bit	1		
6	T1157A	End Bit	1		
21	CE17748L3	End Bit	1		
22	CE17748R3	End Bit	1		
23	09H1772	Bolt	6		7/8" X 3-1/2"
24	12H245	Lock Washer	6		7/8"
25	14H1077	Nut	6		7/8"
29	TPDE31329	Shroud	2		
53	09H1772	Bolt	6		7/8" X 3-1/2"
54	12H245	Lock Washer	6		7/8"
55	14H1077	Nut	6		7/8"
63	09H1772	Bolt	12		7/8" X 3-1/2"
64	12H245	Lock Washer	12		7/8"
65	14H1077	Nut	12		7/8"
90	AT342513	End Bit	1		15.24 cm (6 in.), Side Cutter, Whole Goods
91	AT342512	End Bit	1		7.62 cm (3 in.), Side Cutter, Whole Goods
92	AT342511	End Bit	1		Edge Protector, Whole Goods

Esco Ultralok™ Teeth, Heavy-Duty Bucket, 121.9 cm (48 in), 1.02 m³ (1.34 yd³)

TX1272775 A.1



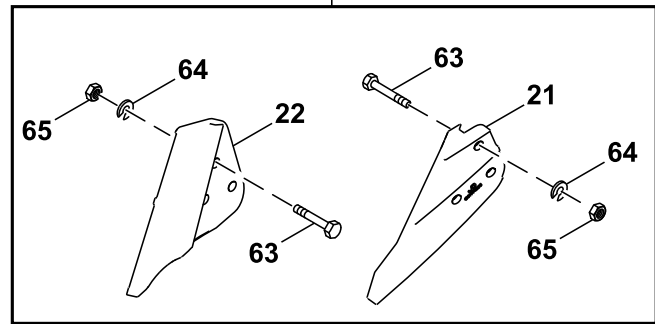
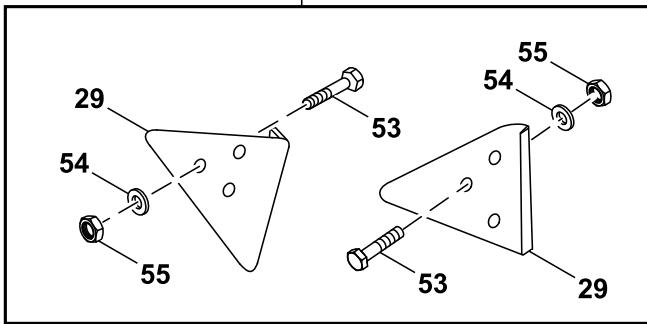
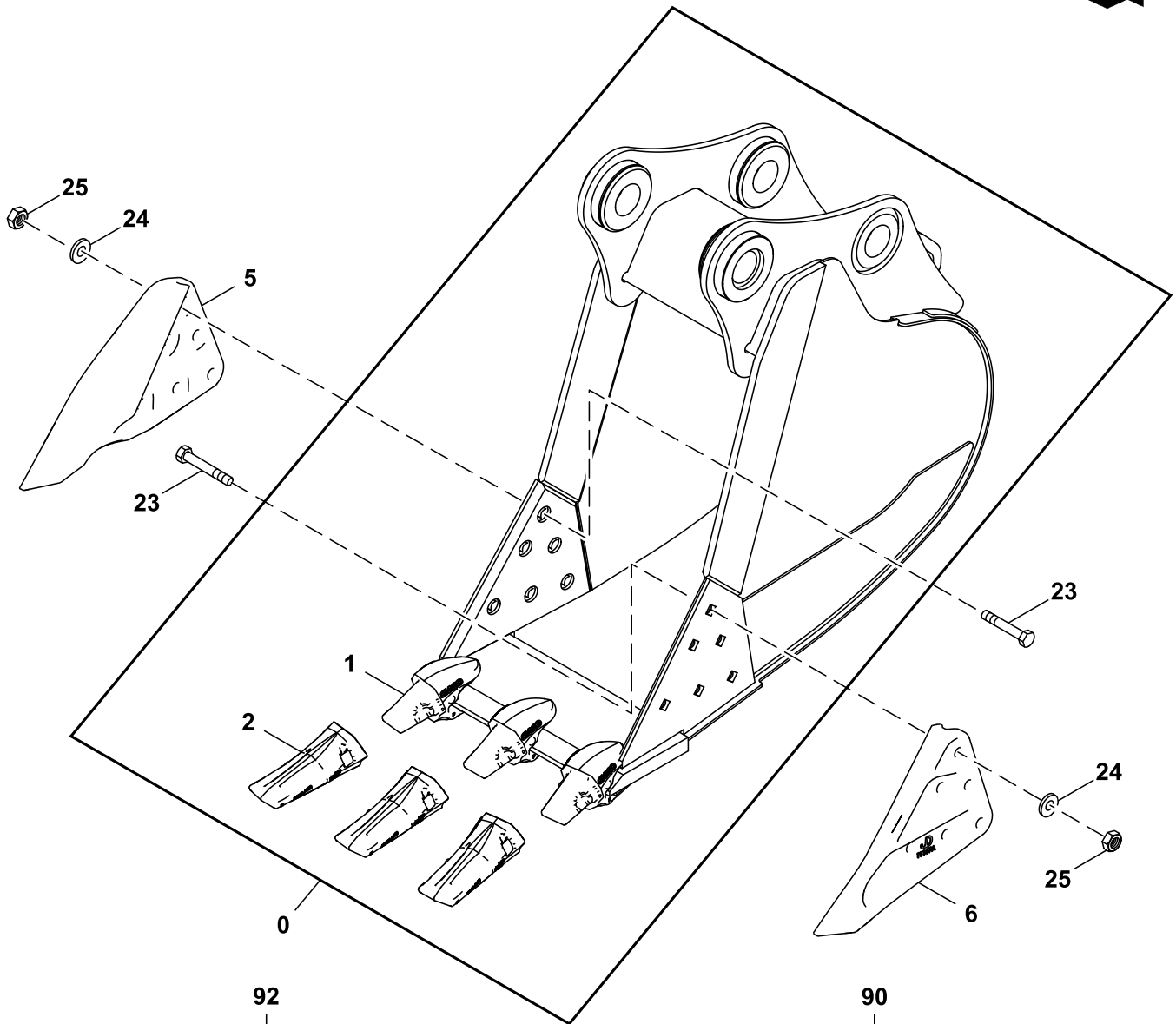
TX1272775

90 — [21,22,23,24,25]

Key	Part No.	Part Name	Qty.	Serial No.	Remarks
1	E5855U35	Bucket Tooth Adapter	6		
2	EU35S	Tooth	6		
5	T1156A	End Bit	1		
6	T1157A	End Bit	1		
21	CE17748L3	End Bit	1		
22	CE17748R3	End Bit	1		
23	09H1772	Bolt	6		7/8" X 3-1/2"
24	12H245	Lock Washer	6		7/8"
25	14H1077	Nut	6		7/8"
29	TPDE31329	Shroud	2		
53	09H1772	Bolt	6		7/8" X 3-1/2"
54	12H245	Lock Washer	6		7/8"
55	14H1077	Nut	6		7/8"
63	09H1772	Bolt	12		7/8" X 3-1/2"
64	12H245	Lock Washer	12		7/8"
65	14H1077	Nut	12		7/8"
90	AT342512	End Bit	1		7.62 cm (3 in.), Side Cutter, Whole Goods
91	AT342513	End Bit	1		15.24 cm (6 in.), Side Cutter, Whole Goods
92	AT342511	End Bit	1		Edge Protector, Whole Goods

Heavy-Duty Bucket, 60.96 cm (24 in), 0.39 m³ (0.51 yd³)

TX1180030 C.1



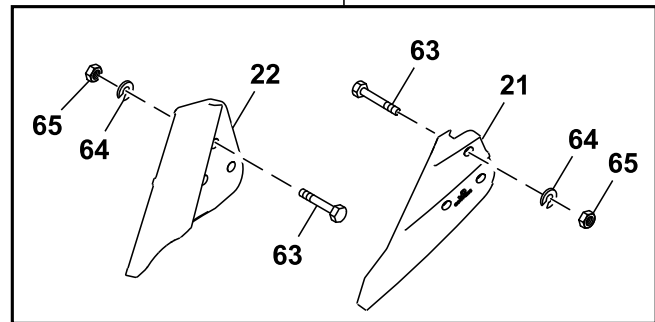
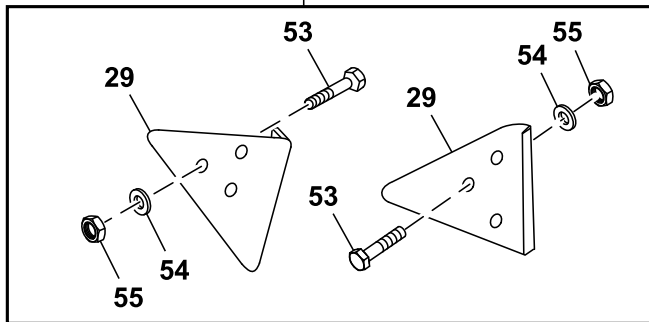
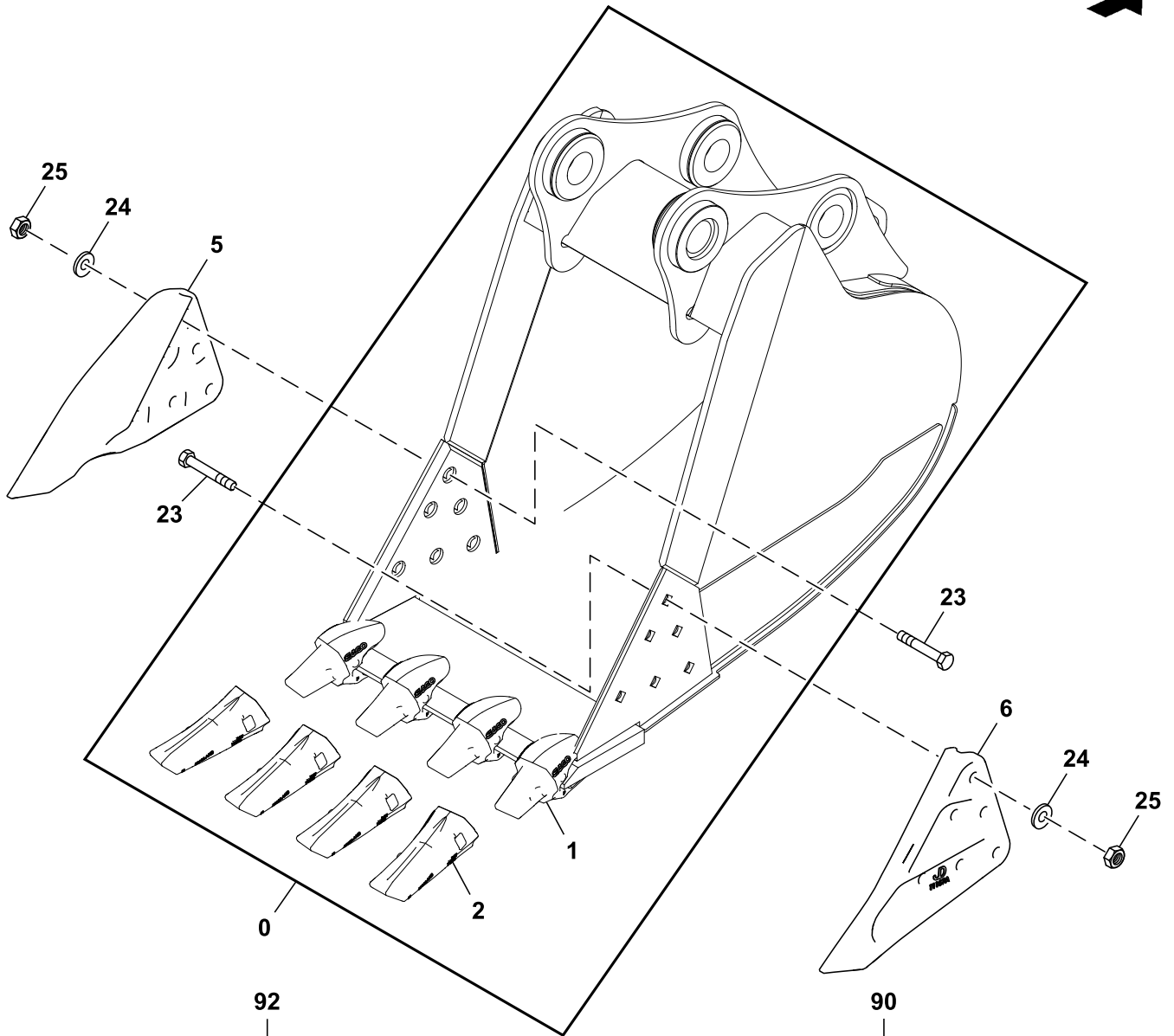
TX1180030

91 — 5,6,23,24,25

Key	Part No.	Part Name	Qty.	Serial No.	Remarks
0	Excavator Bucket	1		Whole Goods, AT451620 NLA
1	E5855U35	Bucket Tooth Adapter	3		
2	EU35S	Tooth	3		
5	T1156A	End Bit	1		
6	T1157A	End Bit	1		
21	CE17748L3	End Bit	1		
22	CE17748R3	End Bit	1		
23	09H1772	Bolt	12		7/8" X 3-1/2"
24	12H245	Lock Washer	12		7/8"
25	14H1077	Nut	12		7/8"
29	TPDE31329	Shroud	2		
53	09H1772	Bolt	6		7/8" X 3-1/2"
54	12H245	Lock Washer	6		7/8"
55	14H1077	Nut	6		7/8"
63	09H1772	Bolt	6		7/8" X 3-1/2"
64	12H245	Lock Washer	6		7/8"
65	14H1077	Nut	6		7/8"
90	AT342512	End Bit	1		7.62 cm (3 in.), Side Cutter, Whole Goods
91	AT342513	End Bit	1		15.24 cm (6 in.), Side Cutter, Whole Goods
92	AT342511	End Bit	1		Edge Protector, Whole Goods

Heavy-Duty Bucket, 76.2 cm (30 in), 0.54 m³ (0.71 yd³)

TX1191209 B.1



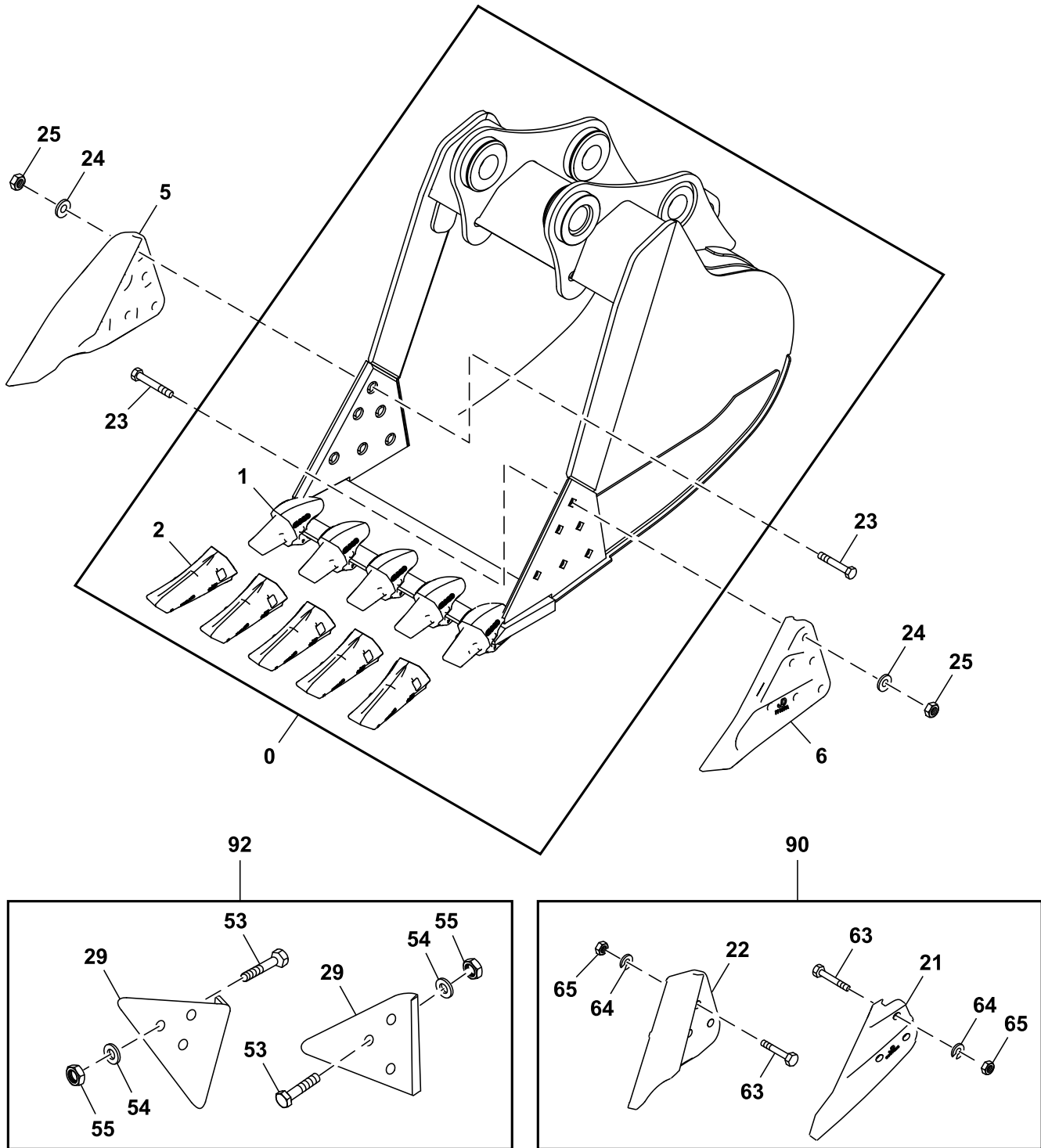
TX1191209

91 — [5,6,23,24,25]

Key	Part No.	Part Name	Qty.	Serial No.	Remarks
0	Excavator Bucket	1		Whole Goods, AT451621 NLA
1	E5855U35	Bucket Tooth Adapter	4		
2	EU35S	Tooth	4		
5	T1156A	End Bit	1		
6	T1157A	End Bit	1		
21	CE17748L3	End Bit	1		
22	CE17748R3	End Bit	1		
23	09H1772	Bolt	12		7/8" X 3-1/2"
24	12H245	Lock Washer	12		7/8"
25	14H1077	Nut	12		7/8"
29	TPDE31329	Shroud	2		
53	09H1772	Bolt	6		7/8" X 3-1/2"
54	12H245	Lock Washer	6		7/8"
55	14H1077	Nut	6		7/8"
63	09H1772	Bolt	6		7/8" X 3-1/2"
64	12H245	Lock Washer	6		7/8"
65	14H1077	Nut	6		7/8"
90	AT342512	End Bit	1		7.62 cm (3 in.), Side Cutter, Whole Goods
91	AT342513	End Bit	1		15.24 cm (6 in.), Side Cutter, Whole Goods
92	AT342511	End Bit	1		Edge Protector, Whole Goods

Heavy-Duty Bucket, 91.44 cm (36 in), 0.69 m³ (0.91 yd³)

TX1191210 B.1



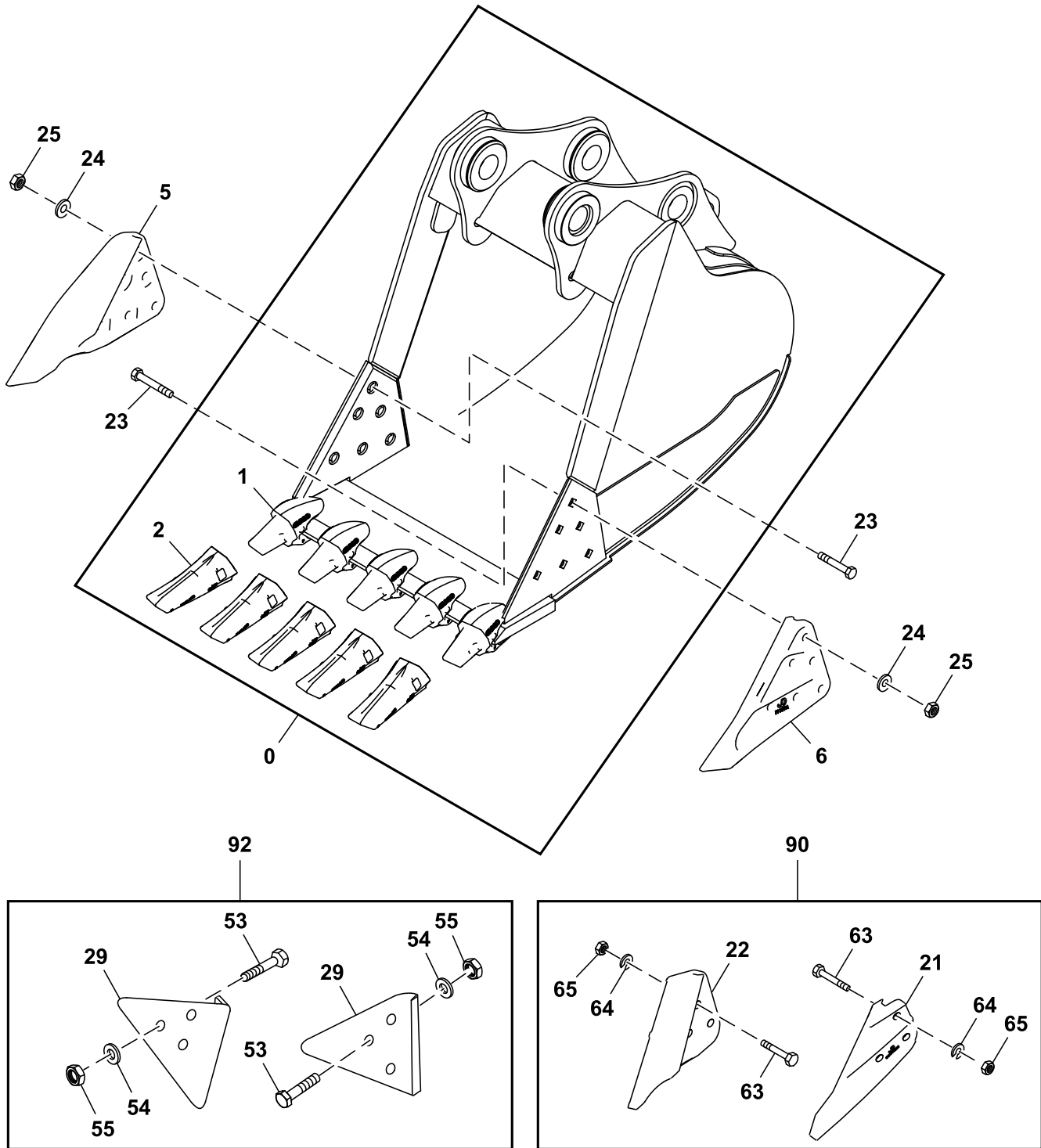
TX1191210

91 — 5,6,23,24,25

Key	Part No.	Part Name	Qty.	Serial No.	Remarks
0	Excavator Bucket	1		Whole Goods, AT451622 NLA
1	E5855U35	Bucket Tooth Adapter	5		
2	EU35S	Tooth	5		
5	T1156A	End Bit	1		
6	T1157A	End Bit	1		
21	CE17748R3	End Bit	1		
22	CE17748L3	End Bit	1		
23	09H1772	Bolt	12		7/8" X 3-1/2"
24	12H245	Lock Washer	12		7/8"
25	14H1077	Nut	12		7/8"
29	TPDE31329	Shroud	2		
53	09H1772	Bolt	6		7/8" X 3-1/2"
54	12H245	Lock Washer	6		7/8"
55	14H1077	Nut	6		7/8"
63	09H1772	Bolt	6		7/8" X 3-1/2"
64	12H245	Lock Washer	6		7/8"
65	14H1077	Nut	6		7/8"
90	AT342512	End Bit	1		7.62 cm (3 in.), Side Cutter, Whole Goods
91	AT342513	End Bit	1		15.24 cm (6 in.), Side Cutter, Whole Goods
92	AT342511	End Bit	1		Edge Protector, Whole Goods

Heavy-Duty Bucket, 1.06 m (42 in), 0.85 m³ (1.11 yd³)

TX1191210 B.1



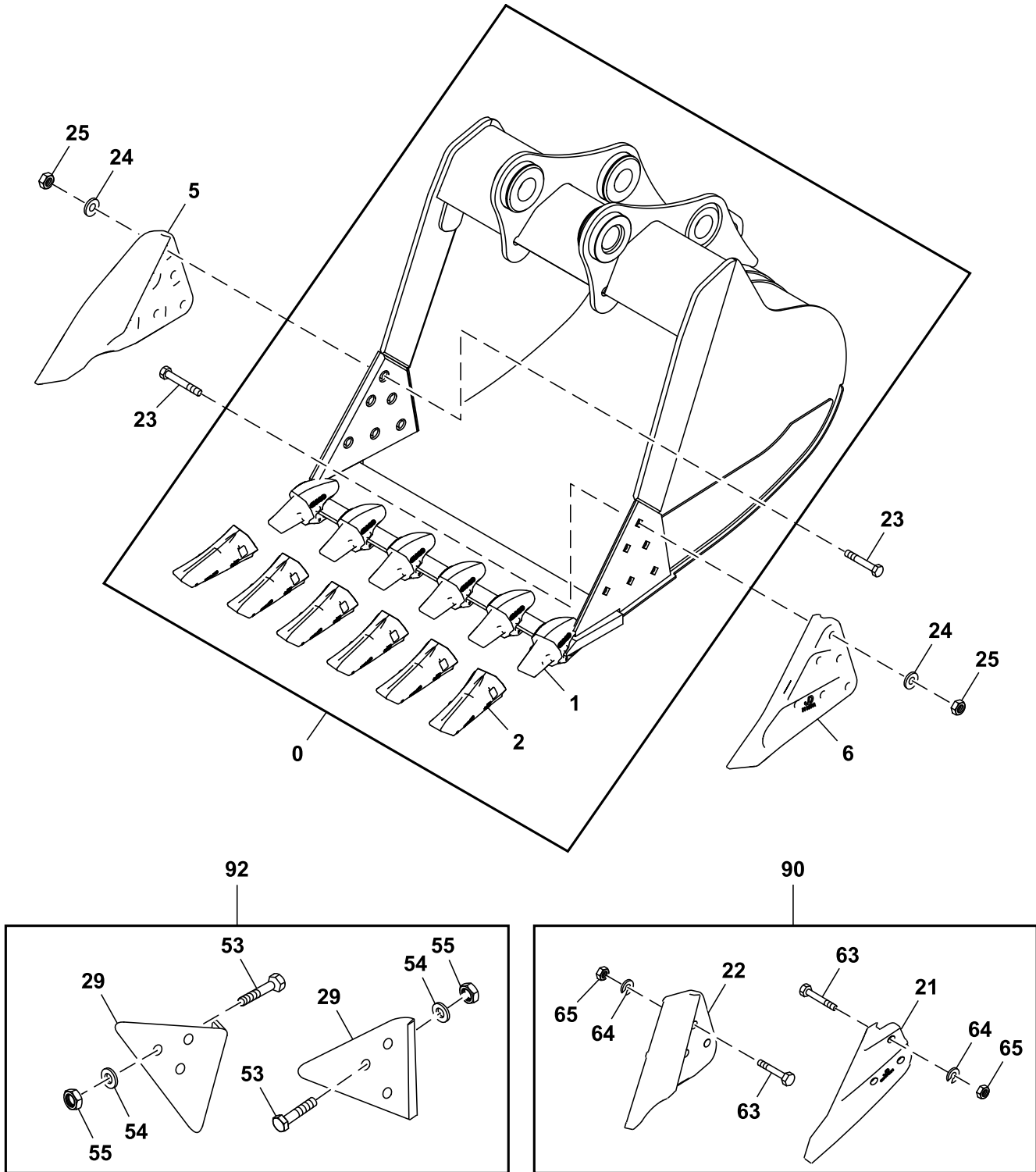
TX1191210

91 — 5,6,23,24,25

Key	Part No.	Part Name	Qty.	Serial No.	Remarks
0	Excavator Bucket	1		Whole Goods, AT451624 NLA
1	E5855U35	Bucket Tooth Adapter	5		
2	EU35S	Tooth	5		
5	T1156A	End Bit	1		
6	T1157A	End Bit	1		
21	CE17748L3	End Bit	1		
22	CE17748R3	End Bit	1		
23	09H1772	Bolt	12		7/8" X 3-1/2"
24	12H245	Lock Washer	12		7/8"
25	14H1077	Nut	12		7/8"
29	TPDE31329	Shroud	2		
53	09H1772	Bolt	6		7/8" X 3-1/2"
54	12H245	Lock Washer	6		7/8"
55	14H1077	Nut	6		7/8"
63	09H1772	Bolt	6		7/8" X 3-1/2"
64	12H245	Lock Washer	6		7/8"
65	14H1077	Nut	6		7/8"
90	AT342512	End Bit	1		7.62 cm (3 in.), Side Cutter, Whole Goods
91	AT342513	End Bit	1		15.24 cm (6 in.), Side Cutter, Whole Goods
92	AT342511	End Bit	1		Edge Protector, Whole Goods

Heavy-Duty Bucket, 1.2 m (48 in), 1.0 m³ (1.31 yd³)

TX1191211 B.1



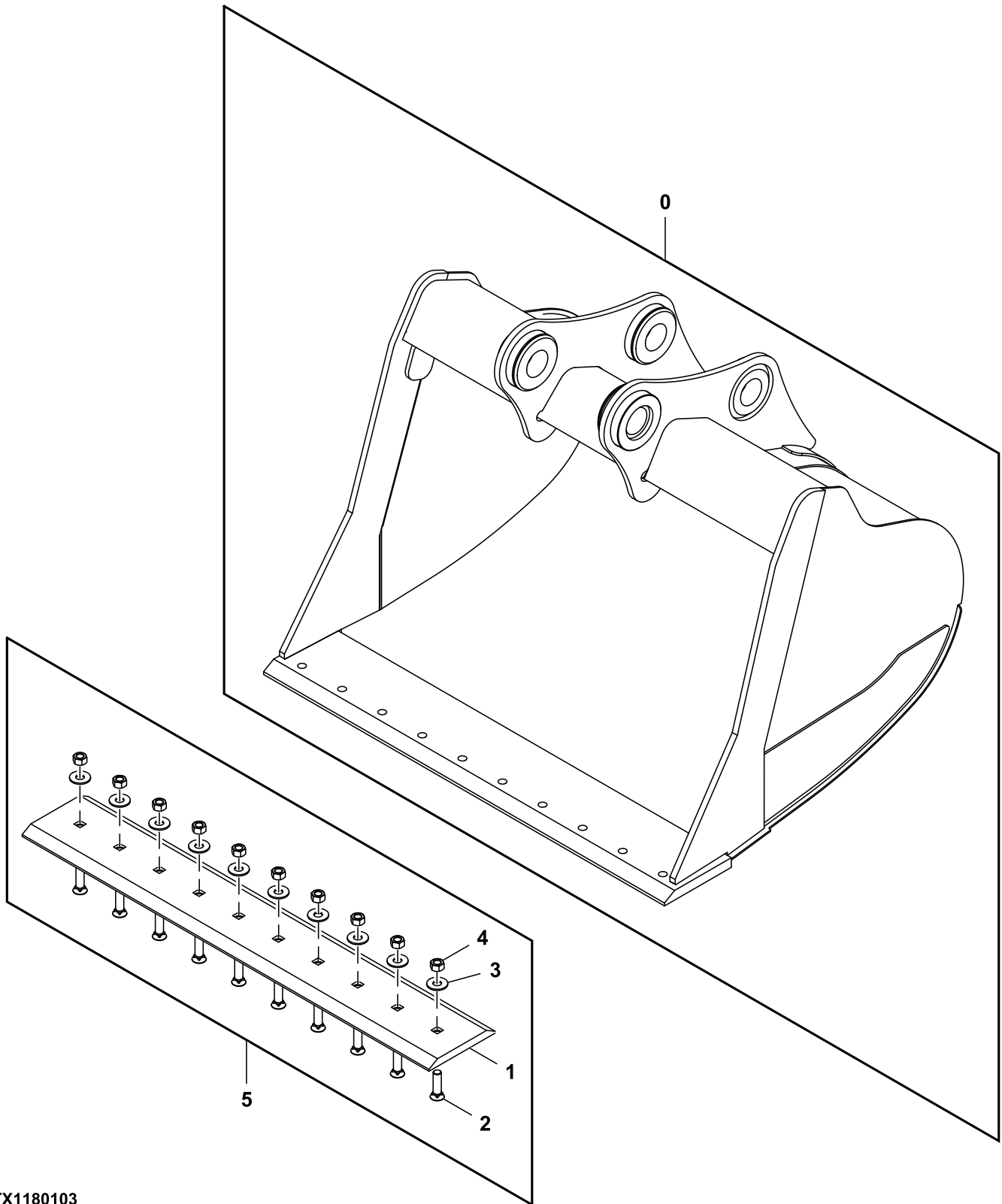
TX1191211

91 — 5,6,23,24,25

Key	Part No.	Part Name	Qty.	Serial No.	Remarks
0	Excavator Bucket	1		Whole Goods, AT451625 NLA
1	E5855U35	Bucket Tooth Adapter	6		
2	EU35S	Tooth	6		
5	T1156A	End Bit	1		
6	T1157A	End Bit	1		
21	CE17748L3	End Bit	1		
22	CE17748R3	End Bit	1		
23	09H1772	Bolt	12		7/8" X 3-1/2"
24	12H245	Lock Washer	12		7/8"
25	14H1077	Nut	12		7/8"
29	TPDE31329	Shroud	2		
53	09H1772	Bolt	6		7/8" X 3-1/2"
54	12H245	Lock Washer	6		7/8"
55	14H1077	Nut	6		7/8"
63	09H1772	Bolt	6		7/8" X 3-1/2"
64	12H245	Lock Washer	6		7/8"
65	14H1077	Nut	6		7/8"
90	AT342512	End Bit	1		7.62 cm (3 in.), Side Cutter, Whole Goods
91	AT342513	End Bit	1		15.24 cm (6 in.), Side Cutter, Whole Goods
92	AT342511	End Bit	1		Edge Protector, Whole Goods

Ditching Bucket, 1.5 m (60 in), 1.18 m³ (1.55 yd³)

TX1180103 A.1

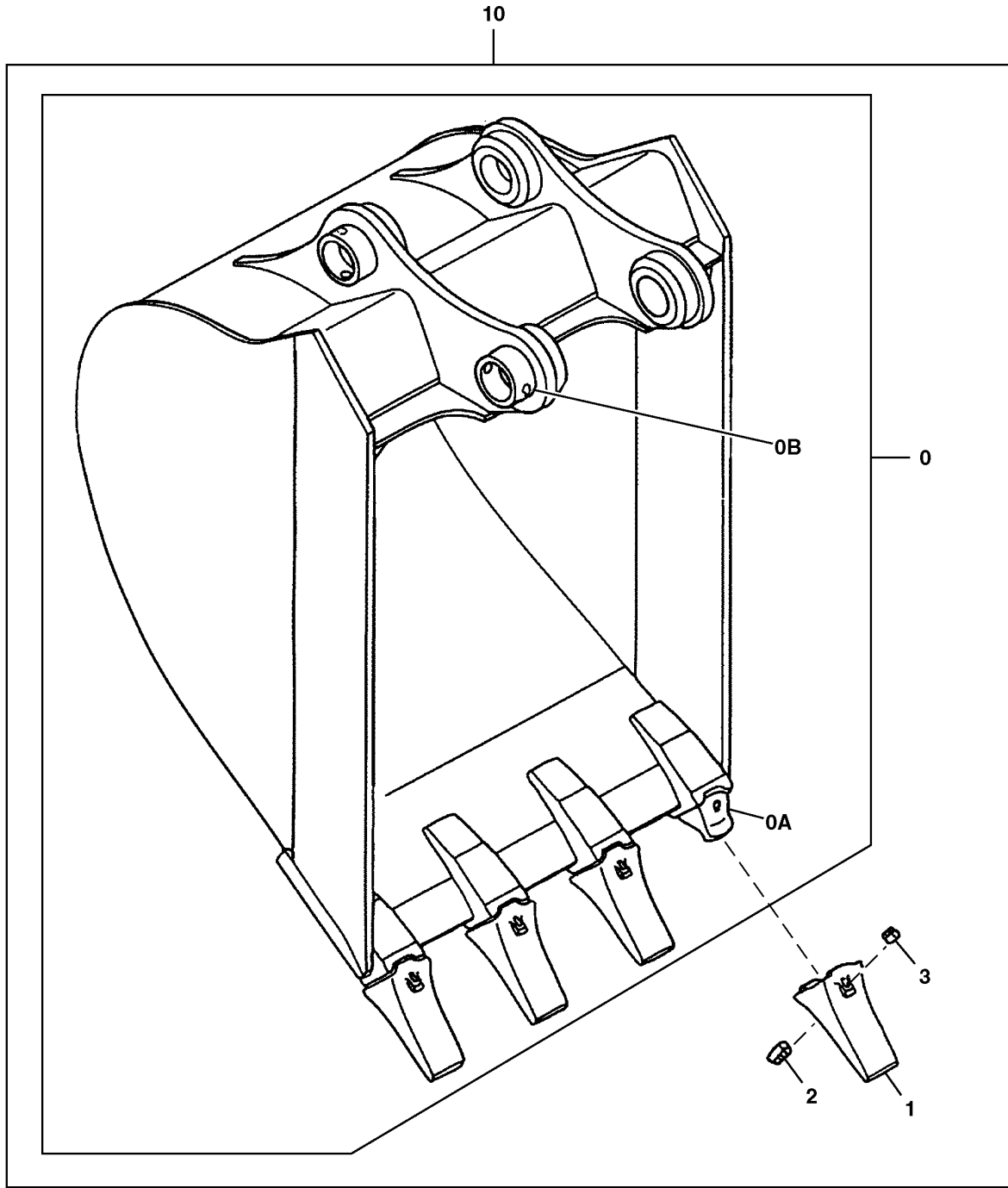


TX1180103

Key	Part No.	Part Name	Qty.	Serial No.	Remarks
0	AT451626	Excavator Bucket	1		Whole Goods
1	T363442	Cutting Edge	1		
2	09H1758	Bolt	10		3/4" X 3-1/4"
3	24H1161	Washer	10		13/16" X 1-15/32" X 0.134"
4	14H1058	Nut	10		3/4"
5	AT454299	Cutting Edge	1		Whole Goods

Super Long Front Bucket (0.45 m³)

TX1120627 A.1



0 — 0A,0B

80 — 0A,1,2,3

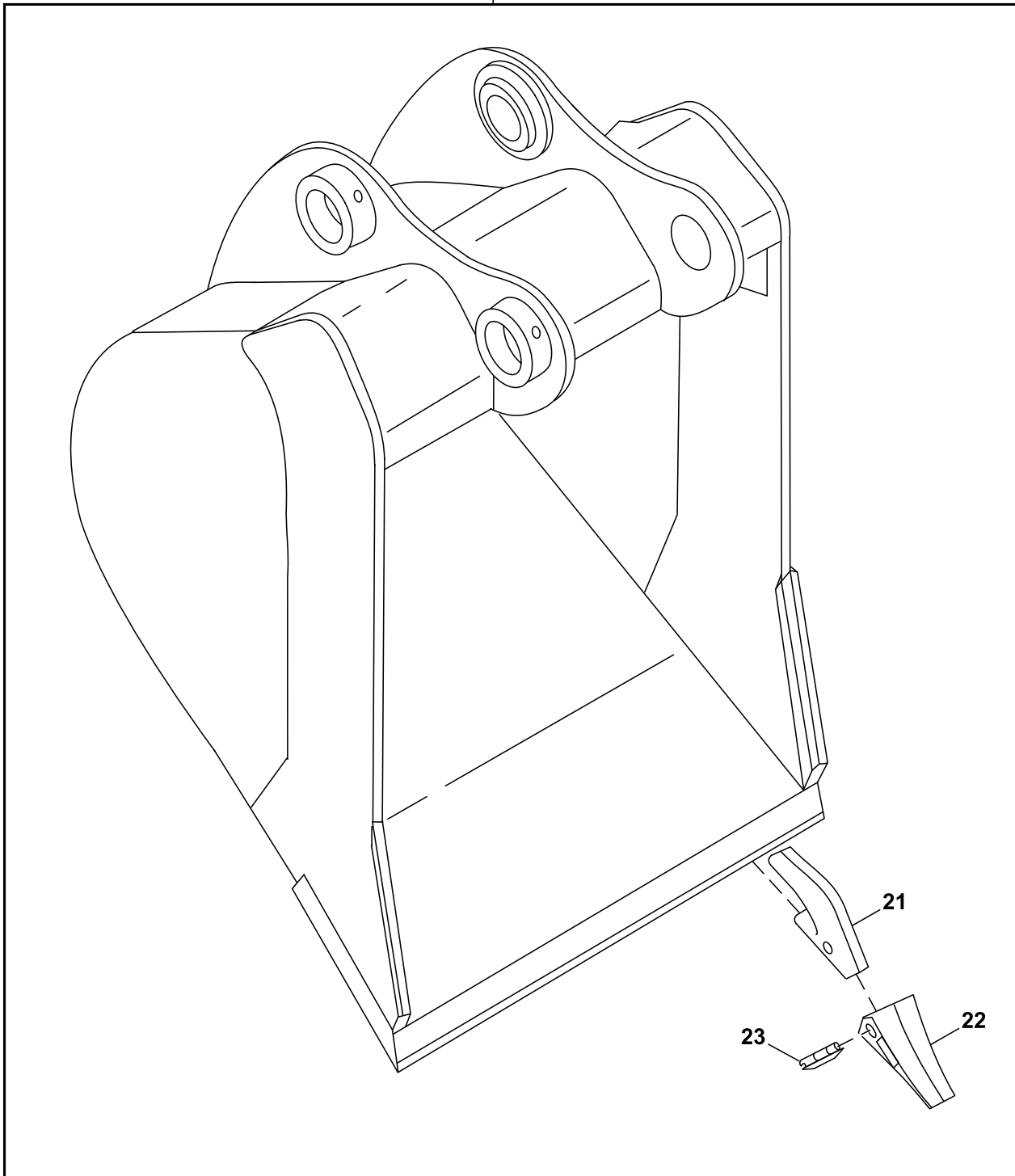
TX1120627

Key	Part No.	Part Name	Qty.	Serial No.	Remarks
0	Excavator Bucket	1		
0A	4606717	Bucket Tooth Adapter	4		SUB FOR 4188013
0B	4434951	Stop	2		
1	T30S	Tooth	4		SUB FOR 963228
2	T2530PN	Pin Fastener	4		SUB FOR 963229
3	T2530LK	Lock	4		SUB FOR 963227
10	Excavator Bucket	1		
80	9075345	Kit	4		

Super Long Front Bucket, 762 mm (30 in), 40.5 m³ (53 yd³)

TX1093512 C.1

40



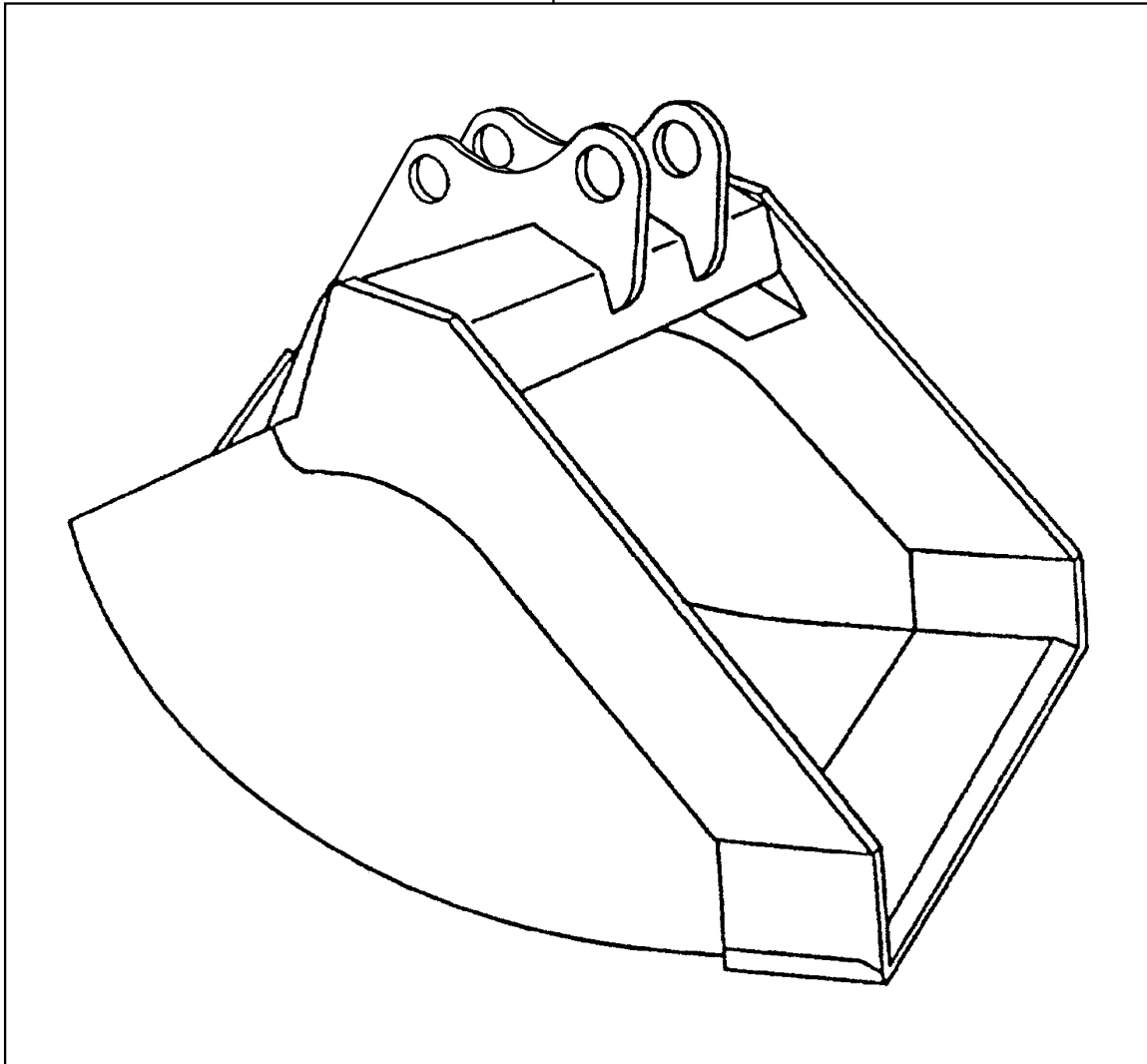
TX1093512

Key	Part No.	Part Name	Qty.	Serial No.	Remarks
21	U43792	Bucket Tooth Adapter	6		
22	TF23D	Tooth	6		
23	TF23P	Pin	6		
40	AT339151	Excavator Bucket	1		Whole Goods

Super Long Front Ditching Bucket

TX1093510 A.1

12

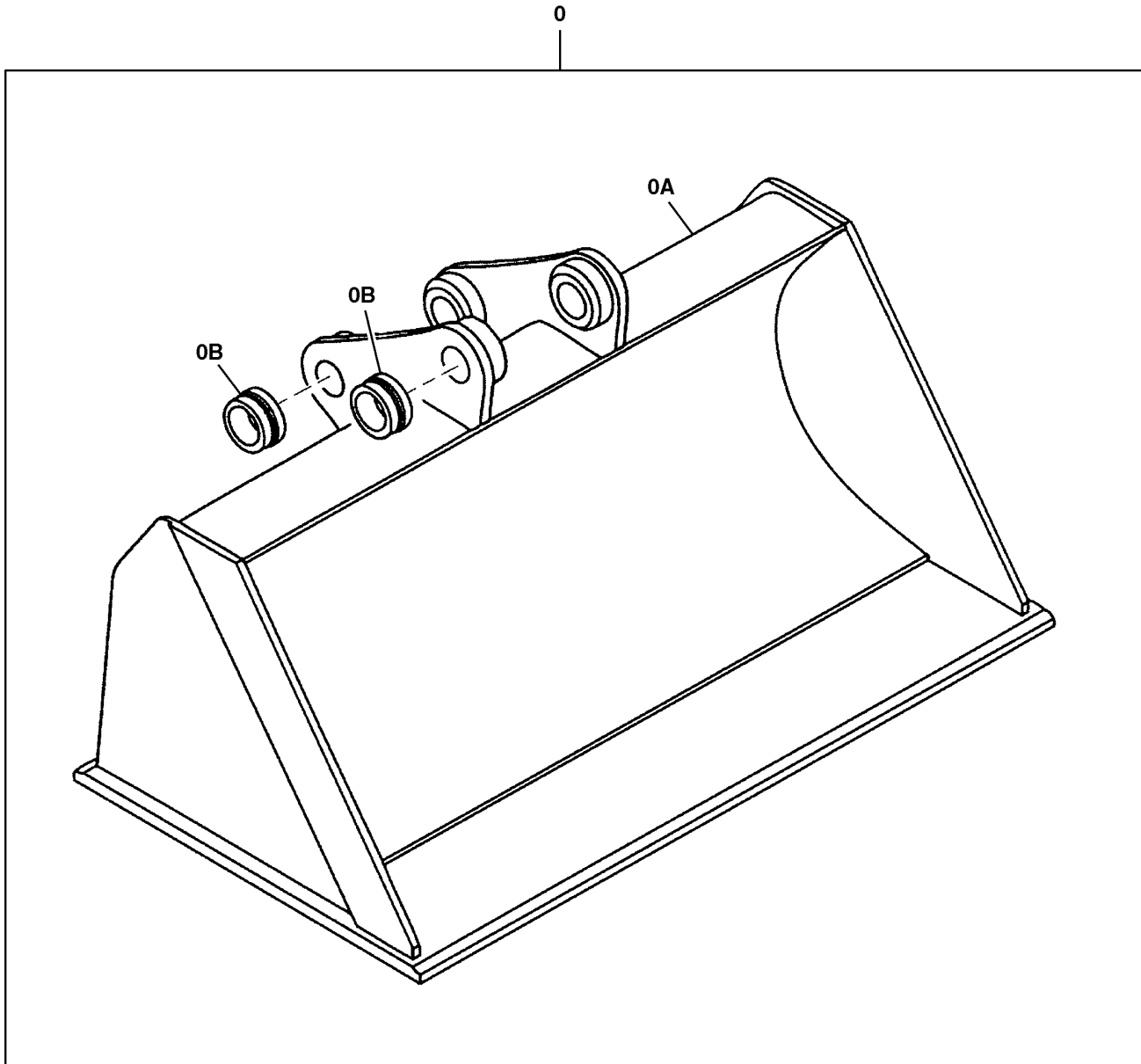


TX1093510

<i>Key</i>	<i>Part No.</i>	<i>Part Name</i>	<i>Qty.</i>	<i>Serial No.</i>	<i>Remarks</i>
12	AT339153	Excavator Bucket	1		1524 mm (60 in), 0.76 m ³ (0.83 yd ³), Whole Goods

Slope Finishing Bucket

TX1120629 A.1

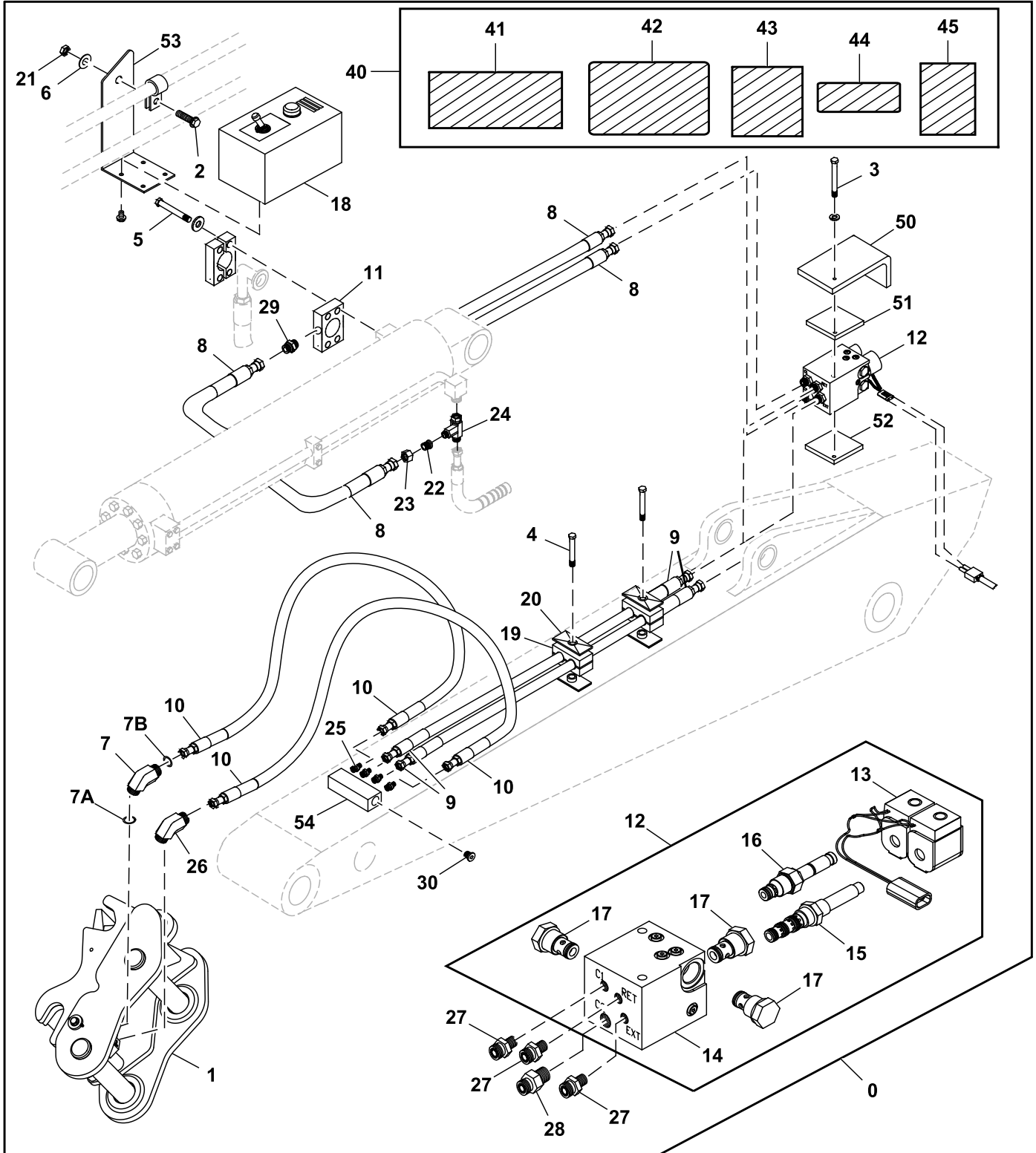


TX1120629

Key	Part No.	Part Name	Qty.	Serial No.	Remarks
0	Excavator Bucket	1		8064040 NLA
0A	Excavator Bucket	1		Slope-Finishing, 6015368 NLA
0B	TH108649	Bushing	2		SUB FOR 4197033

Hydraulic Coupler Kit

TX1103185 B.2

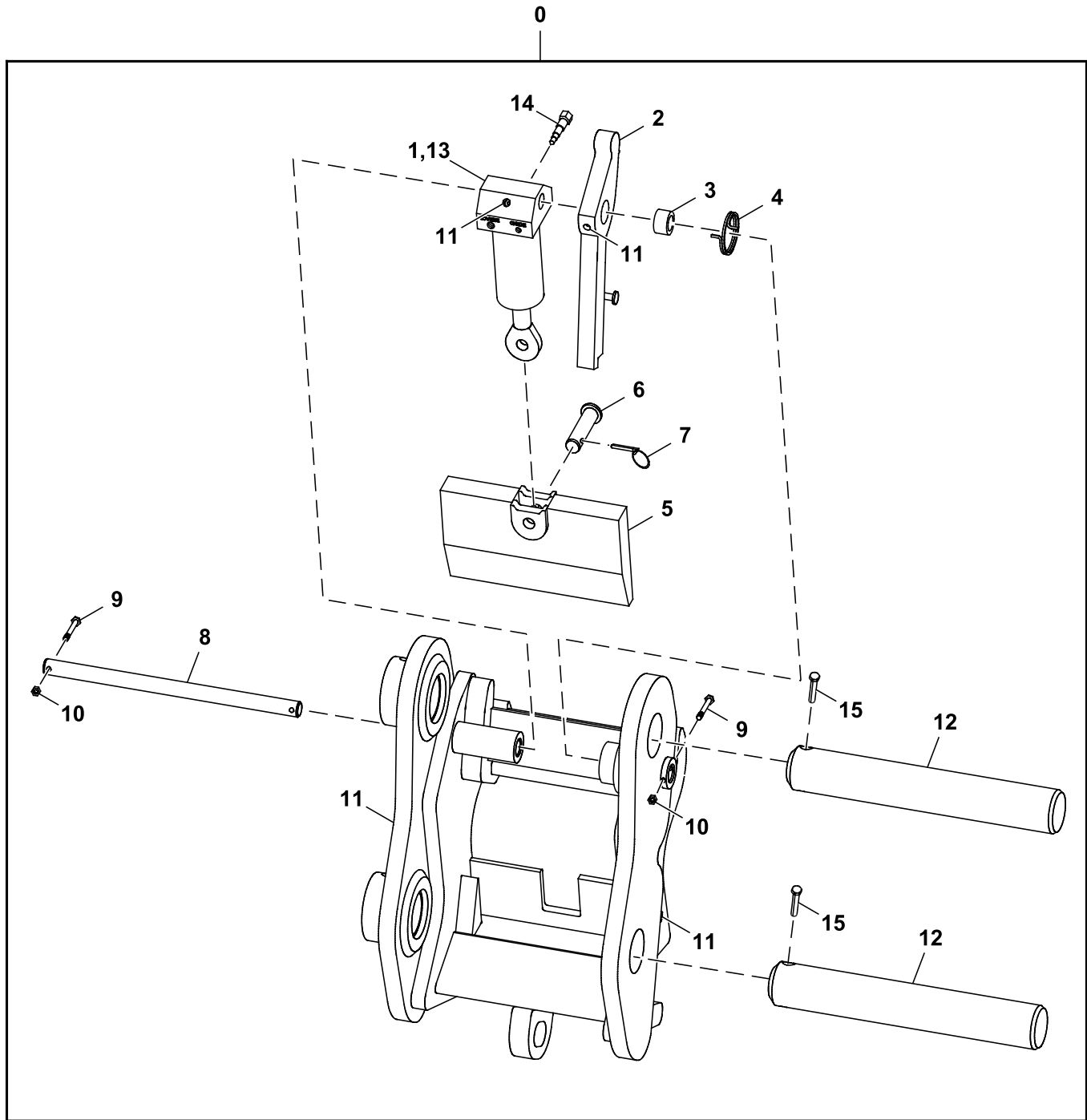


TX1103185

Key	Part No.	Part Name	Qty.	Serial No.	Remarks
0	AT343230	Field Installation Kit	1		Hydraulic Coupler, Whole Goods
1	Hyd. Quick-Connect Coupler	1		Components On Separate Page, AT343218 NLA
2	19H1648	Cap Screw	1		3/8" X 3/4"
3	19H2852	Cap Screw	2		5/16" X 4"
4	19H3219	Cap Screw	2		3/8" X 1-3/8"
5	19M7935	Cap Screw	4		M10 X 55
6	24H1298	Washer	1		3/8" X 5/8" X 0.032"
7	38H1004	Elbow Fitting	1		SUB FOR AE48033
7A	R26448	O-Ring	1		
7B	T77613	O-Ring	1		
8	AT343349	Hydraulic Hose	2		
9	AT343356	Hydraulic Hose	2		
10	AT343363	Hydraulic Hose	2		
11	AT343367	Tee Fitting	1		
12	AT343400	Solenoid Valve	1		
13	AT343401	Solenoid Valve Coil	1		
14	Manifold	1		AT343406 NLA
15	AT343410	Valve Spool	1		
16	AT343412	Poppet	1		
17	AT343413	Check Valve	3		
18	AT449337	Circuit Box	1		INCLUDES AT472979; SUB FOR AT343415
	AT472979	Wiring Harness	1		
19	H120847	Clamp	4		
20	H121168	Plate	2		
21	T11234	Lock Nut	1		9.525 mm (3/8")
22	X12-6TRLO-S	Reducer	1		
23	X12BL-S	Tube Nut	1		
24	X12R6LO-S	Tee Fitting	1		
25	X4-6F5OLO-S	Adapter Fitting	4		
26	X6-4C5OLO-S	Elbow Fitting	1		
27	X6-4F5OLO-S	Adapter Fitting	3		
28	X6F5OLO-S	Adapter Fitting	1		
29	X6FLO-S	Adapter Fitting	1		
30	X6HP5ON-S	Fitting Plug	2		
40	AT344819	Label Kit	1		English
	AT344821	Label Kit	1		French
	AT344820	Label Kit	1		Spanish
41	Safety Sign	3		Warning - Crush Hazard, T232151 NSEP
42	Safety Sign	1		Warning - Check Interference, T232154 NSEP
43	Safety Sign	1		English, Warning - Clearance Hazard, T232157 NSEP
	Safety Sign	1		Spanish, Warning - Clearance Hazard, T232158 NSEP
	Safety Sign	1		French, Warning - Clearance Hazard, T232159 NSEP
	T346392	Safety Sign	1		Portuguese, Warning - Clearance Hazard
44	Safety Sign	1		Caution: Read Operator Manual, T232161 NSEP
45	Safety Sign	1		Warning - Coupler Operation, T232166 NSEP
50	T257731	Plate	1		
51	T257733	Plate	1		
52	T257732	Plate	1		
53	T257734	Plate	1		
54	T257730	Manifold	1		

Hydraulic Coupler Components

TX1153074 B.1

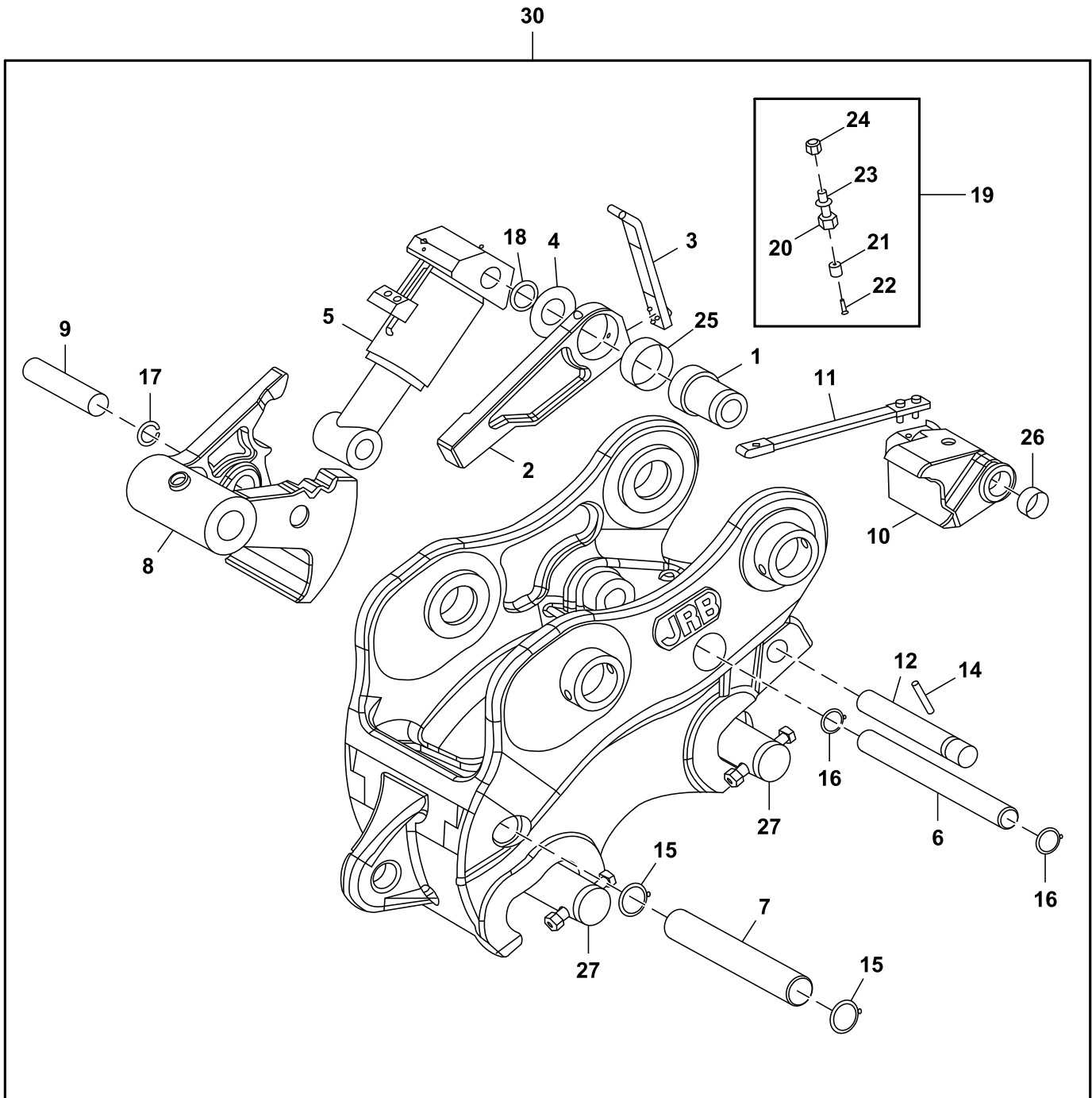


TX1153074

Key	Part No.	Part Name	Qty.	Serial No.	Remarks
0	Hyd. Quick-Connect Coupler	1		AT343218 NLA, Furnish Components
1	AT343213	Hydraulic Cylinder	1		
2	T232167	Lock Plate	1		
3	T232175	Bushing	1		
4	T232176	Extension Spring	1		
5	T232181	Lock Plate	1		
6	T232186	Retainer	1		
7	PM02704	Quick Lock Pin	1		
8	T232192	Pin	1		
9	19H3220	Cap Screw	2		1/4" X 2-1/2"
10	K40001	Lock Nut	2		6.350 mm (1/4")
11	JD5815	Lubrication Fitting	4		
12	AT343206	Pin	2		Includes 2 Pins And Hardware
13	AT343210	Seal Kit	1		
14	T232235	Check Valve	1		
15	19H3256	Cap Screw	2		5/8" X 6", SUB FOR AC01130NC

Hydraulic Coupler Kit, Variable Pin Grabber

TX1292068 A.1

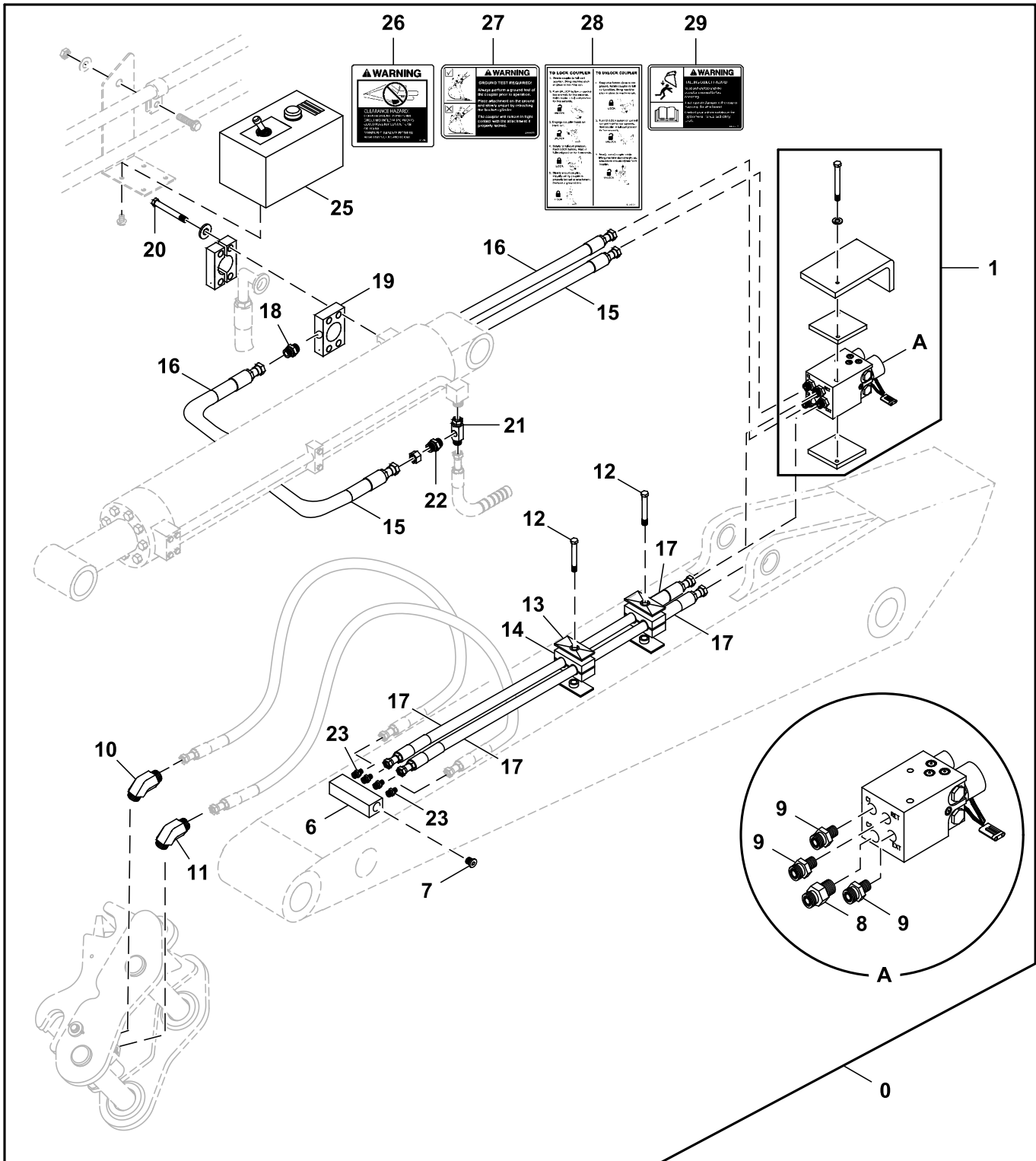


BYT11628_TX1292068

Key	Part No.	Part Name	Qty.	Serial No.	Remarks
1	T433912	Boss	1		
2	T433913	Lock Plate	1		
3	T433919	Leaf Spring	1		
4	T436557	Washer	1		
5	AT509150	Hydraulic Cylinder	1		INCLUDES T433713
	T433713	Seal Kit	1		
6	T433920	Pin Fastener	1		
7	T433921	Pin Fastener	1		
8	T433922	Hook	1		
9	T433943	Pin Fastener	1		
10	T433944	Wedge	1		
11	T433720	Leaf Spring	1		
12	T433945	Pin Fastener	1		
14	34M7049	Spring Pin	1		8 X 50 mm
15	40M7302	Snap Ring	2		
16	40M7109	Snap Ring	2		
17	40M7119	Snap Ring	1		
18	40M7066	Snap Ring	1		
19	AT509005	Magnet Kit	1		
20	T433703	Holder	1		
21	T433705	Magnet	1		
22	19M9222	Screw	1		M6 X 30
23	12M7168	Lock Washer	1		16.630 mm
24	14M7697	Lock Nut	1		M16
25	T433946	Bushing	1		
26	T433723	Bushing	2		
27	AT343206	Pin	1		Includes 2 Pins And Hardware
28	AT343362	Hydraulic Hose	2		Fabricate, Not Illustrated
29	T436562	Lubrication Fitting	3		Not Illustrated
30	BYT11628	Quick Coupler Kit	1		Whole Goods

Hydraulic Control Kit, Variable Pin Grabber

TX1291718 A.1

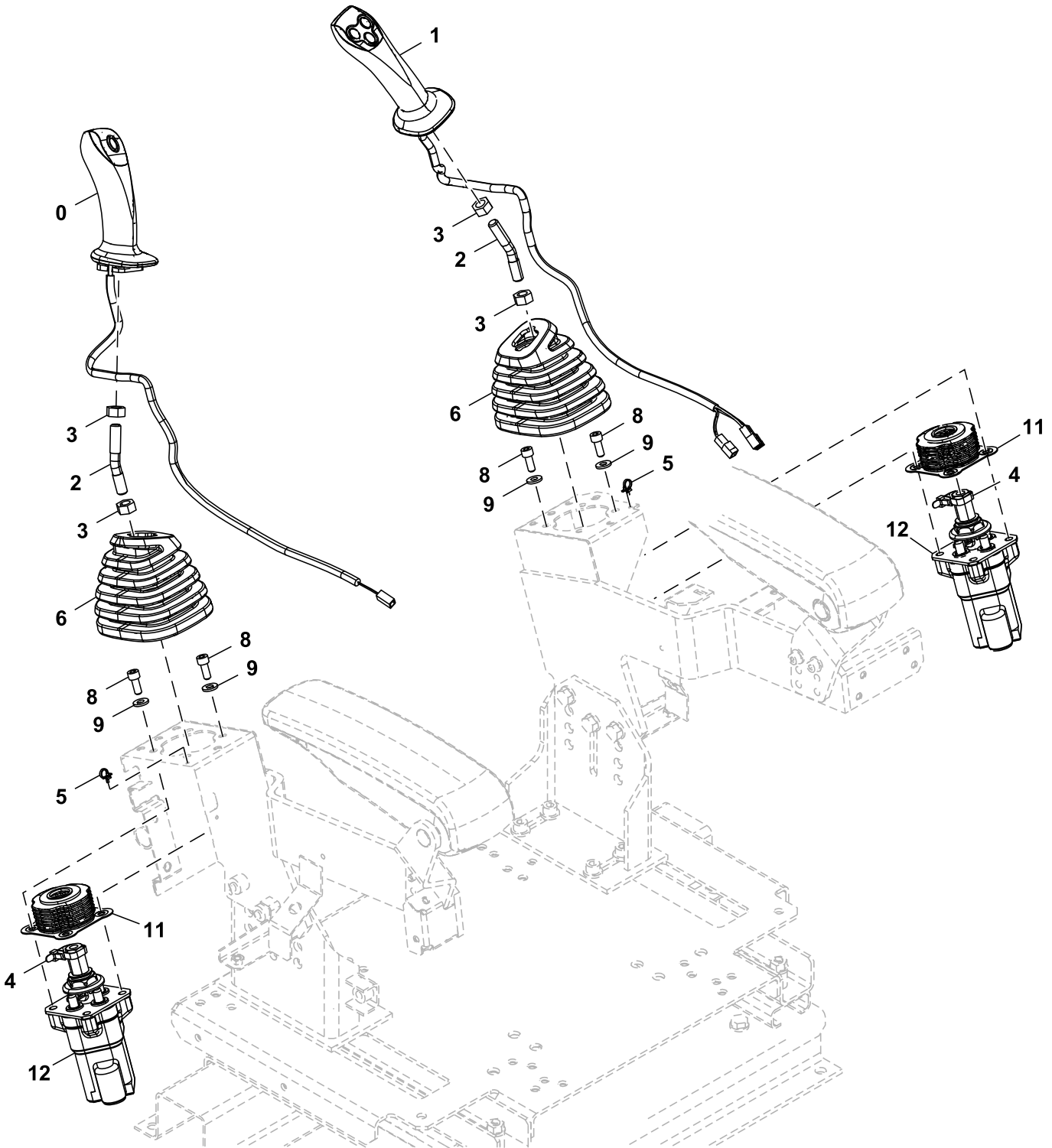


TX1291718

Key	Part No.	Part Name	Qty.	Serial No.	Remarks
0	BYT11629	Quick Coupler Kit	1		Whole Goods
1	AT449336	Solenoid Valve	1		
6	T257730	Manifold	1		
7	X6HP50N-S	Fitting Plug	2		
8	X6F5OLO-S	Adapter Fitting	1		
9	X4F5OLO-S	Adapter Fitting	3		
10	X6V5OLO-S	Elbow Fitting	1		
11	X6-4V5OLO-S	Elbow Fitting	1		
12	19H3219	Cap Screw	2		3/8" X 1-3/8"
13	H121168	Plate	2		
14	H120847	Clamp	4		
15	AT509612	Hydraulic Hose	1		Fabricate
16	AT509610	Hydraulic Hose	1		Fabricate
17	AT509606	Hydraulic Hose	2		Fabricate
18	X6FLO-S	Adapter Fitting	1		
19	AT343367	Junction Block	1		
20	19M8412	Screw	4		M10 X 55
	19M8131	Screw	4		M10 X 70
21	AT516815	Tee Fitting	1		
22	X6-4F5OLO-S	Adapter Fitting	1		
23	X4-6F5OLO-S	Adapter Fitting	4		
24	R44302	Tie Band	35		Not Illustrated
25	AT449337	Circuit Box	1		
26	T232157	Safety Sign	1		Warning, Clearance, English
	T232158	Safety Sign	1		Warning, Clearance, Spanish
	Safety Sign	1		Warning, Clearance, French, T232159 NSEP
27	T441102X019	Label	1		Warning, Ground Test Required, English
	T441102X028	Label	1		Warning, Ground Test Required, French
	T441102X063	Label	1		Warning, Ground Test Required, Spanish
28	T441105X019	Label	1		Coupler Operation, English
	T441105X028	Label	1		Coupler Operation, French
	T441105X063	Label	1		Coupler Operation, Spanish
29	T441103X019	Label	1		Warning, Read Operator's Manual, English
	T441103X028	Label	1		Warning, Read Operator's Manual, French
	T441103X063	Label	1		Warning, Read Operator's Manual, Spanish

Pilot Controllers

TX1116880 C.1

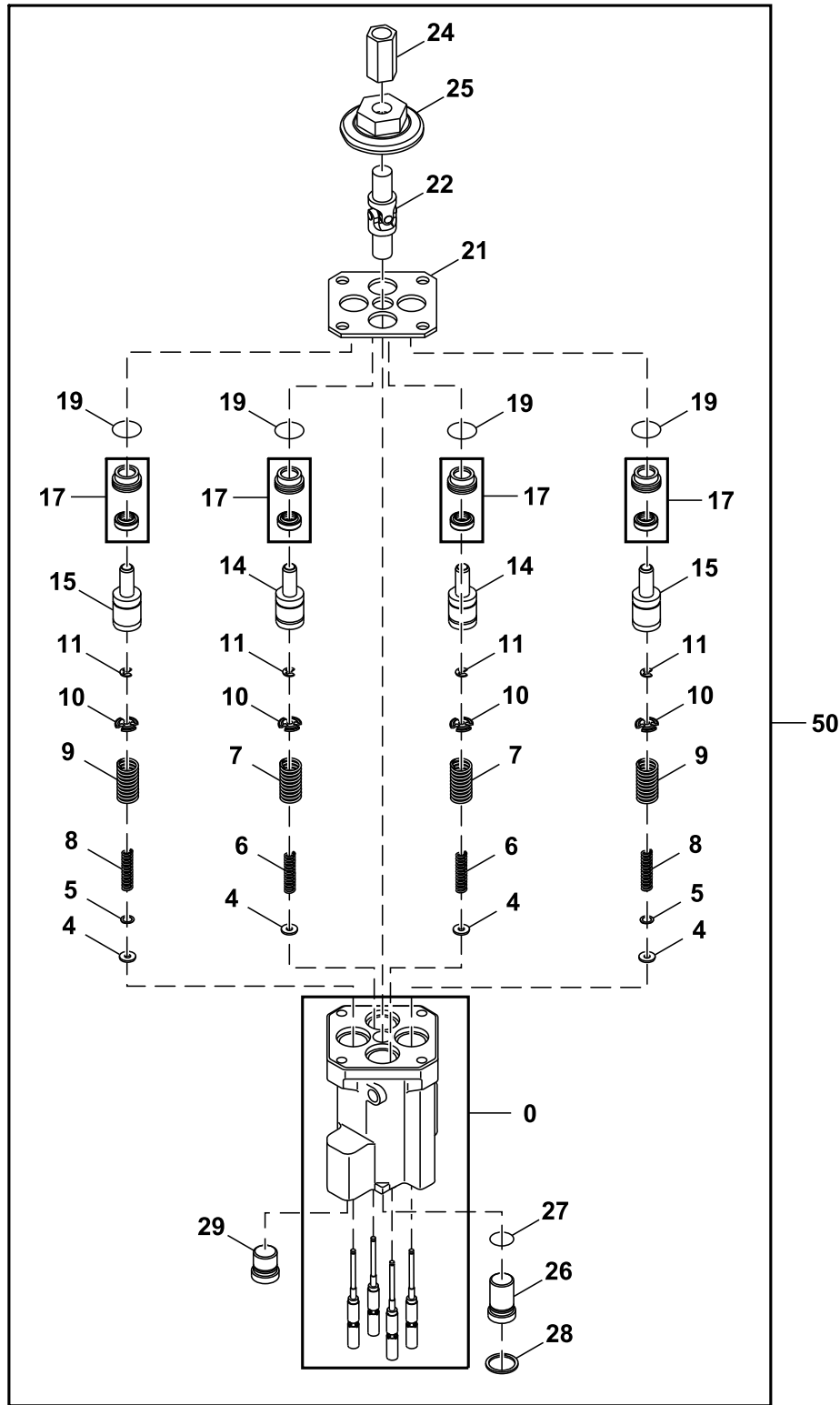


TX1116880

Key	Part No.	Part Name	Qty.	Serial No.	Remarks
0	4708459	Grip	1		Left
1	FYA00025174	Grip	1		SUB FOR 4708462, Right
2	4705608	Shaft	2		
3	14M7275	Nut	4		M12, SUB FOR J950012
4	H77698	Tie Band	2		SUB FOR 4055311
5	H77698	Tie Band	2		SUB FOR 4300351
6	2058780	Boot	2		
8	19M7660	Screw	8		M8 X 20, SUB FOR J780820
9	J222008	Washer	8		
11	FYB40000006	Boot	2		SUB FOR 8120379
12	FYB60000205	Hyd Actuated Control Valve	2		SUB FOR FYB0000204, Components On Separate Page

Pilot Control Valve Components

TX1085691 G.1

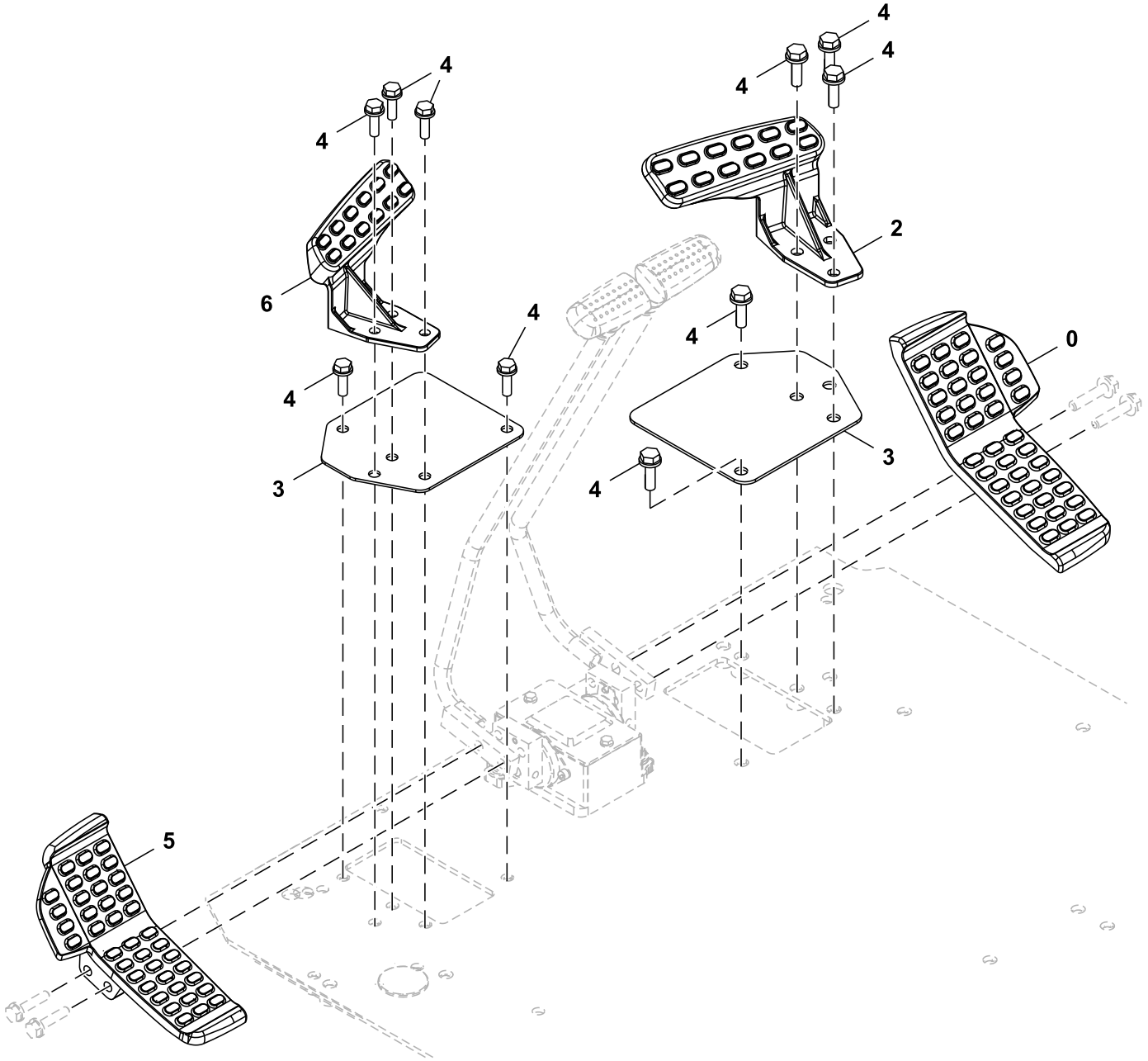


TX1085691

Key	Part No.	Part Name	Qty.	Serial No.	Remarks
0	FYB4000015	Valve Cover	1		
4	4410898	Spacer	4		
5	4662206	Shim	2		0.1 mm (0.004 in)
6	4429120	Spring	2		
7	4651556	Compression Spring	2		
8	4425414	Spring	2		
9	4651557	Compression Spring	2		
10	4615610	Guide	4		
11	4437333	Snap Ring	4		
14	9759157	Piston	2		
15	9759158	Piston	2		
17	9246436	Sleeve	4		
19	4201993	O-Ring	4		
21	4614296	Plate	1		
22	4335060	Universal Joint	1		
24	4631248	Fitting	1		
25	FYB0000019	Cam	1		
26	4614286	Plug	1		
27	4170585	O-Ring	1		
28	4614331	Snap Ring	1		
29	9773023	Plug	1		
50	FYB60000205	Hyd Actuated Control Valve	1		SUB FOR FYB60000204, Pilot Control

Travel Pilot Control Pedals

TX1088958 D.1

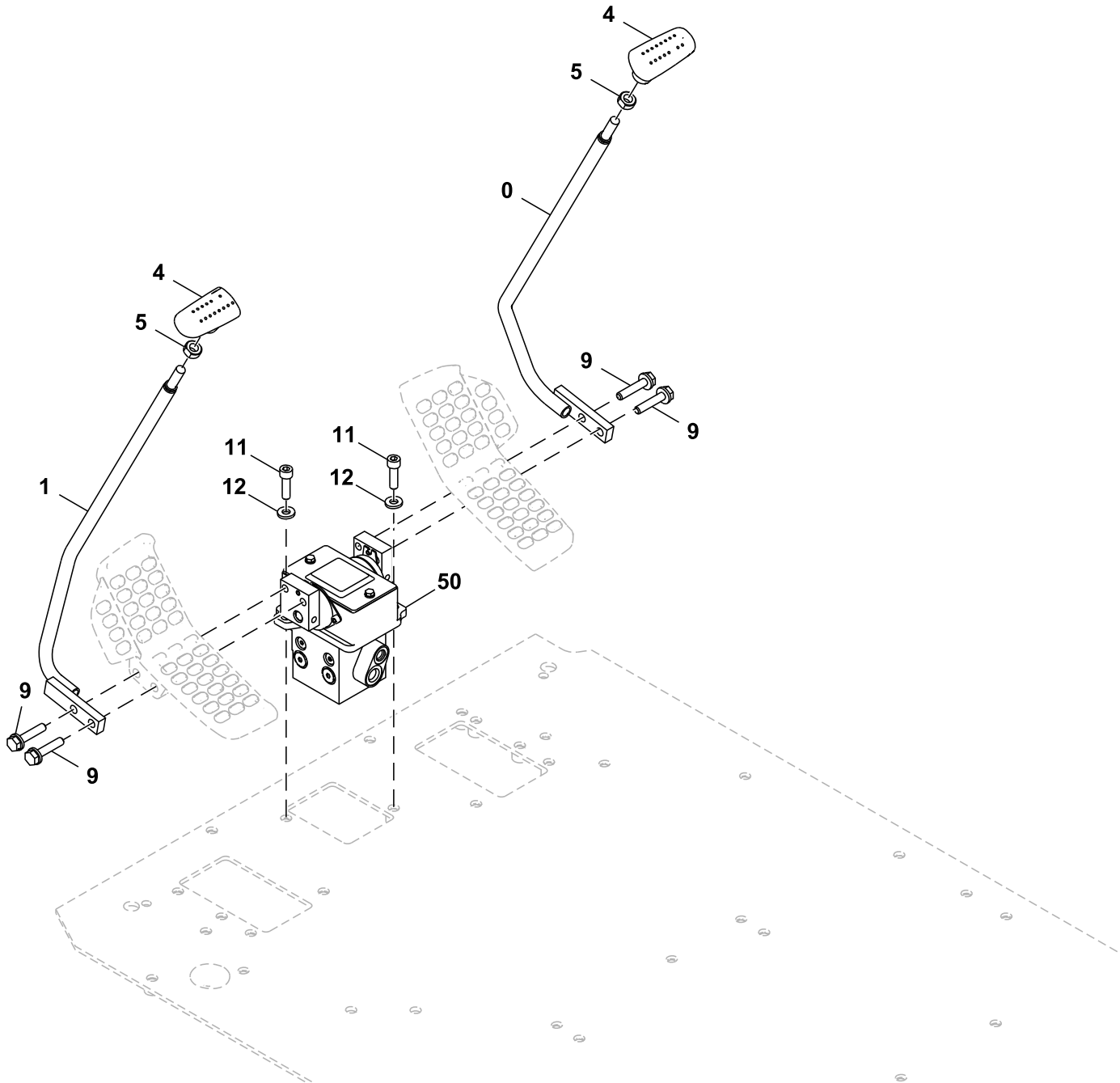


TX1088958

Key	Part No.	Part Name	Qty.	Serial No.	Remarks
0	1033299	Pedal	1		Right
2	FYA00002481	Footrest	1		Right
3	4689585	Plate	2		
4	Screw With Washer	10		J271035 NLA
	19M7550	Cap Screw	10		M10 X 35, SUB FOR J901035
	24M7346	Washer	10		11 X 20 X 2 mm, SUB FOR J222010
5	1033298	Pedal	1		Left
6	FYA00002482	Footrest	1		Left

Travel Pilot Control Valve Lever

TX1088956 B.2

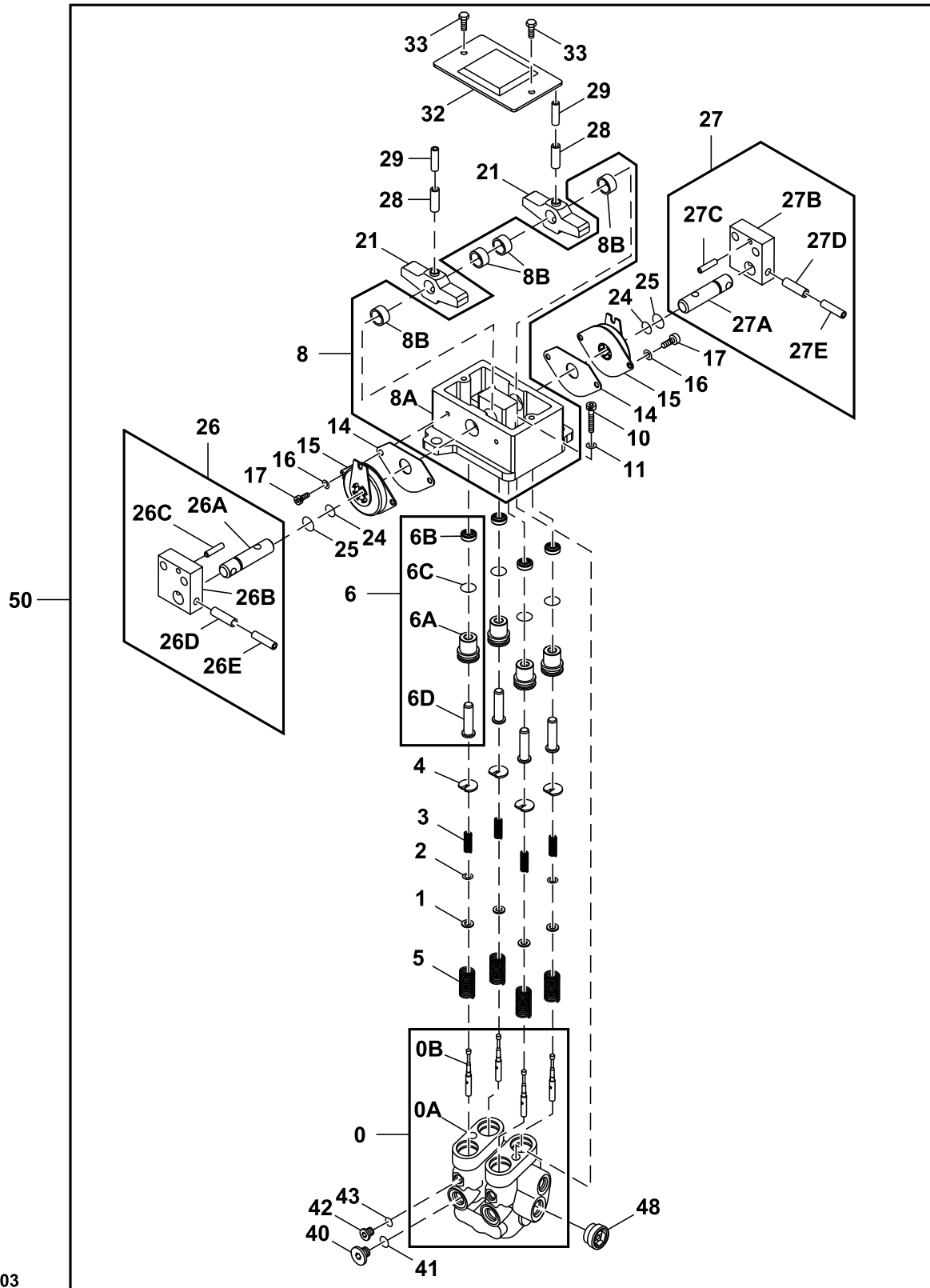


TX1088956

Key	Part No.	Part Name	Qty.	Serial No.	Remarks
0	8099800	Lever	1		Right
1	8099799	Lever	1		Left
4	2052912	Grip	2		
5	FYD00011202	Nut	2		SUB FOR 4424185
9	Screw With Washer	4		J271050 NLA
	19M7658	Cap Screw	4		M10 X 50, SUB FOR J901050
	24M7346	Washer	4		11 X 20 X 2 mm, SUB FOR J222010
11	19M8337	Screw	2		M10 X 30, SUB FOR J781035
12	24M7346	Washer	2		11 X 20 X 2 mm, SUB FOR J222010
50	FYB60000033	Hyd Actuated Control Valve	1		Travel Pilot Control, Components On Separate Page

Travel Pilot Control Valve Components

TX1226503 B.1

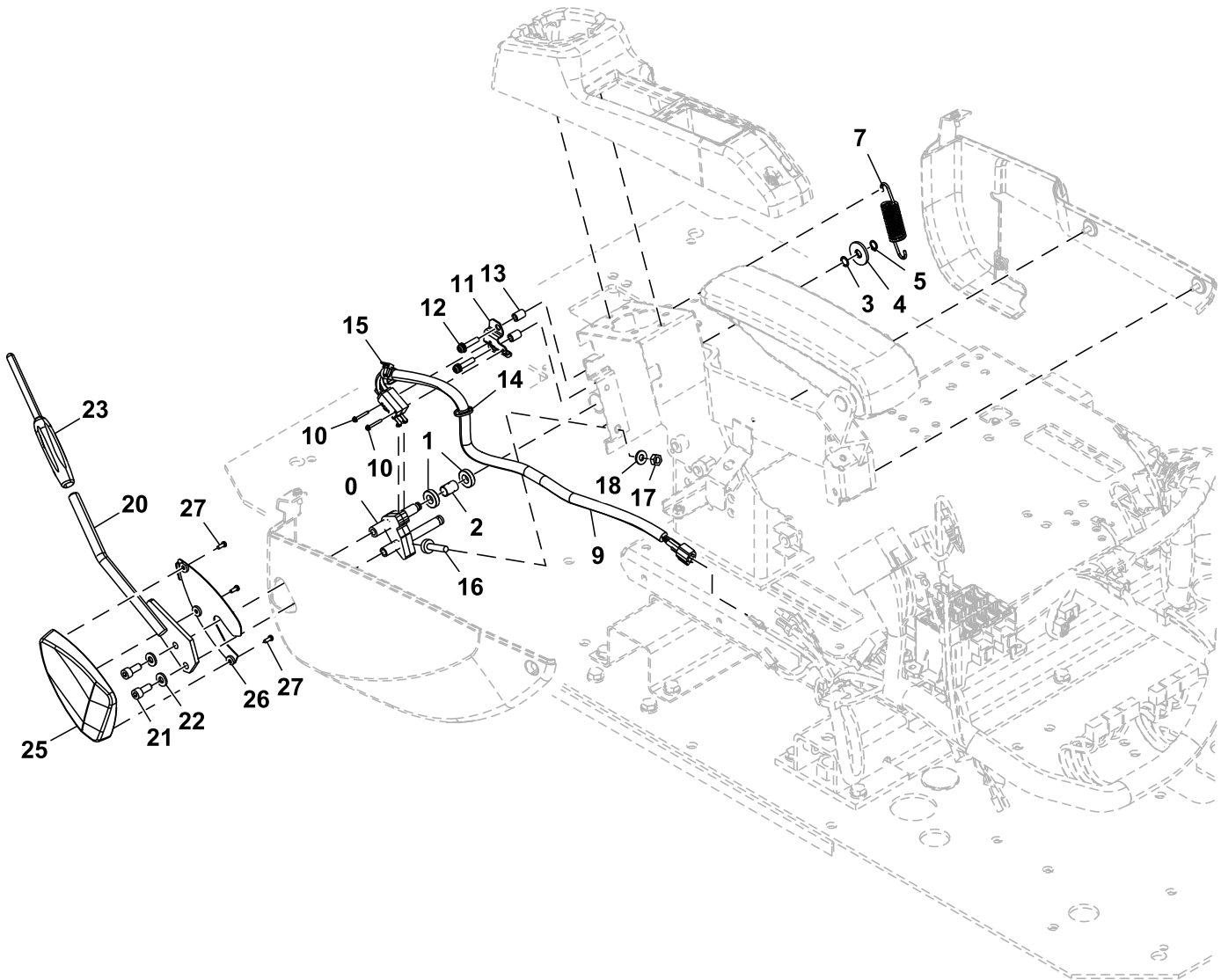


TX1226503

Key	Part No.	Part Name	Qty.	Serial No.	Remarks
0	8118208	Valve Cover	1		
0A	Valve Cover	1		NSEP
0B	Spool	4		NSEP
1	4319299	Spacer	4		
2	4662206	Shim	2		0.1 mm (0.004 in.); SUB FOR 4203411
3	4368629	Compression Spring	4		
4	4364970	Guide	4		
5	4368630	Compression Spring	4		
6	9226367	Push Nut	4		
6A	3099628	Bushing	1		
6B	4447050	Seal	1		
6C	4201993	O-Ring	1		
6D	4602154	Push Nut	1		
8	Base	1		9184275 NLA; ORDER FYB60000033
8A	Holder	1		2044332 NSEP
8B	4437433	Bushing	4		
10	19M7576	Screw	2		M10 X 30. SUB FOR J781030
11	12M7066	Lock Washer	2		10 mm, SUB FOR A590910
14	4437432	Gasket	2		
15	4428902	Torsional Damper	2		
16	12M7006	Lock Washer	4		6 mm, SUB FOR A590906
17	J780612	Bolt	4		
21	3098245	Cam	2		
24	4185600	O-Ring	2		
25	4447067	O-Ring	2		
26	9207567	Pin Fastener	1		
26A	4425305	Pin Fastener	1		
26B	3087987	Bracket	1		
26C	4051262	Spring Pin	1		
26D	34M7124	Spring Pin	1		8 X 30 mm, SUB FOR 4205318
26E	4205317	Spring Pin	1		
27	9207568	Pin Fastener	1		
27A	4425305	Pin Fastener	1		
27B	3087987	Bracket	1		
27C	4051262	Spring Pin	1		
27D	34M7124	Spring Pin	1		8 X 30 mm, SUB FOR 4205318
27E	4205317	Spring Pin	1		
28	34M6402	Spring Pin	2		8 X 28 mm, SUB FOR 4027427
29	4213419	Spring Pin	2		
32	8077903	Cover	1		
33	Screw With Washer	2		J260614 NLA
	19M7560	Cap Screw	2		M6 X 16
	24M7054	Washer	2		6.400 X 12 X 1.600 mm
40	4208977	Drain Plug	2		
41	CH11561	Packing	2		SUB FOR Z964255
42	9134109	Drain Plug	2		SUB FOR 4217651
43	CH19111	O-Ring	2		SUB FOR 4113154
48	9773023	Drain Plug	1		
50	FYB60000033	Hyd Actuated Control Valve	1		SUB FOR FYB60000029, Travel Pilot

Pilot Shutoff Lever

TX1252652 A.1

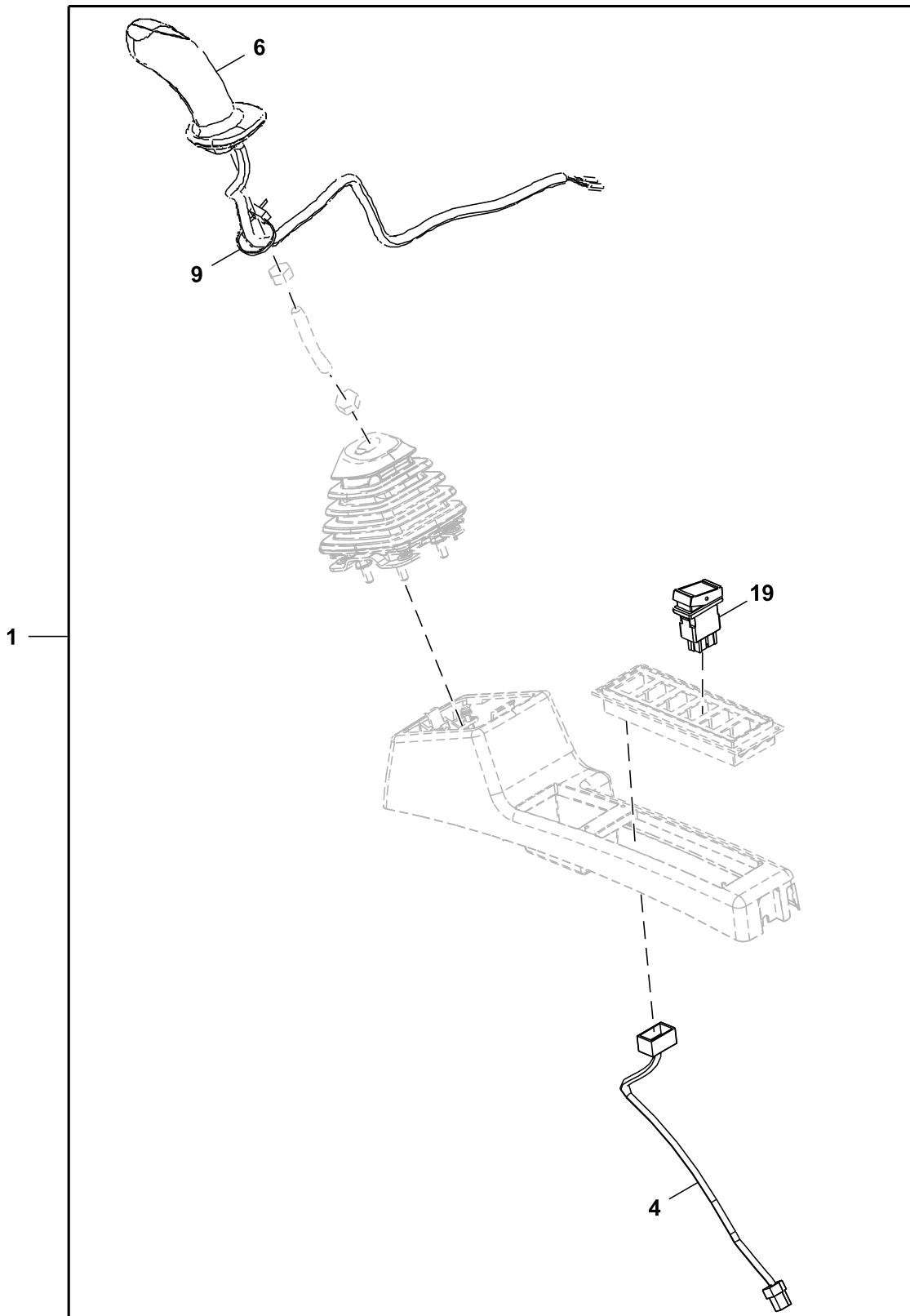


TX1252652

Key	Part No.	Part Name	Qty.	Serial No.	Remarks
0	8119409	Bracket	1		
1	4637175	Ball Bearing	2		
2	4631103	Spacer	1		
3	4454269	Shim	1		0.5 mm (0.02 in.)
4	4486055	Washer	1		SUB FOR 4371706
5	991334	Snap Ring	1		SUB FOR Z991334
7	4636765	Spring	1		
9	4716973	Switch	1		INCLUDES 4722865, Pilot Shutoff Switch
	4722865	Diode	1		
10	Screw With Washer	2		J460325 NLA
	21M7281	Screw	2		M3 X 25
	24H1914	Washer	2		1/8" X 5/16" X 0.032"
	12H233	Lock Washer	2		1/8"
11	4705785	Bracket	1		
12	Screw With Washer	2		J460630 NLA
	21M7466	Screw	2		M6 X 30
	12M7006	Lock Washer	2		6 mm
	24M7054	Washer	2		6.400 X 12 X 1.600 mm
13	4705786	Spacer	2		
14	H77698	Tie Band	1		SUB FOR 4300351
15	H77698	Tie Band	1		SUB FOR 4055311
16	4642575	Isolator	1		
17	14M7273	Nut	1		M8, SUB FOR J950008
18	J222008	Washer	1		
20	8119897	Lever	1		
21	19M7660	Screw	2		M8 X 20, SUB FOR J780820
22	J222008	Washer	2		
23	3109101	Grip	1		
25	FYA00030897	Cover	1		
26	FYA00030898	Cover	1		
27	4452613	Screw	3		

Left Pilot Control Handle Kit

TX1129247 E.1

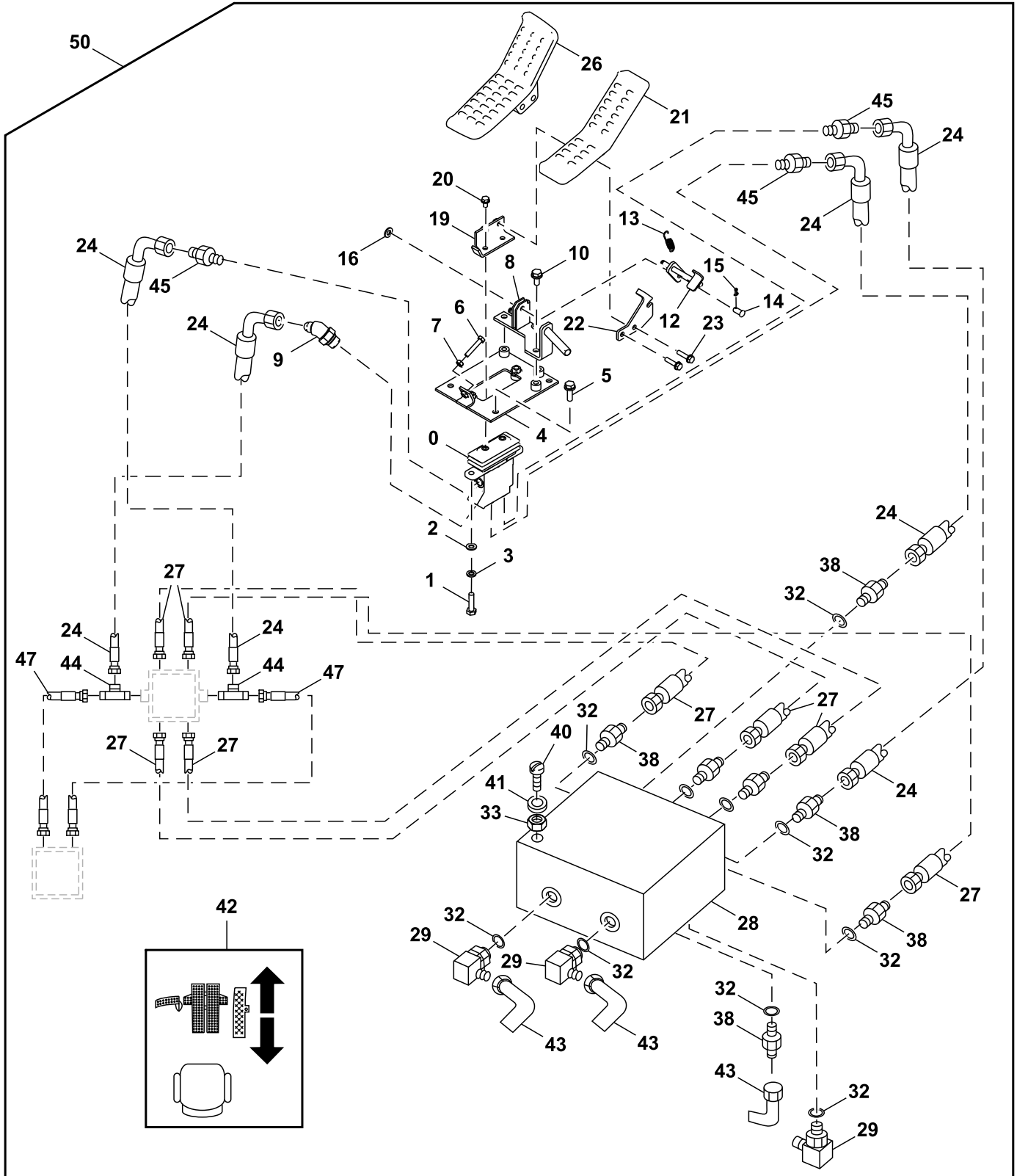


TX1129247

Key	Part No.	Part Name	Qty.	Serial No.	Remarks
1	AT327652	Field Installation Kit	1		Whole Goods
4	4651278	Wiring Harness	1		Auxiliary Three Button Cancel Switch
6	4708461	Grip	1		
9	DH400240	Tie Band	1		
19	4651295	Switch	1		Left and Right Enable Switch

Single Pedal Propel Kit

TX1163386 C.2

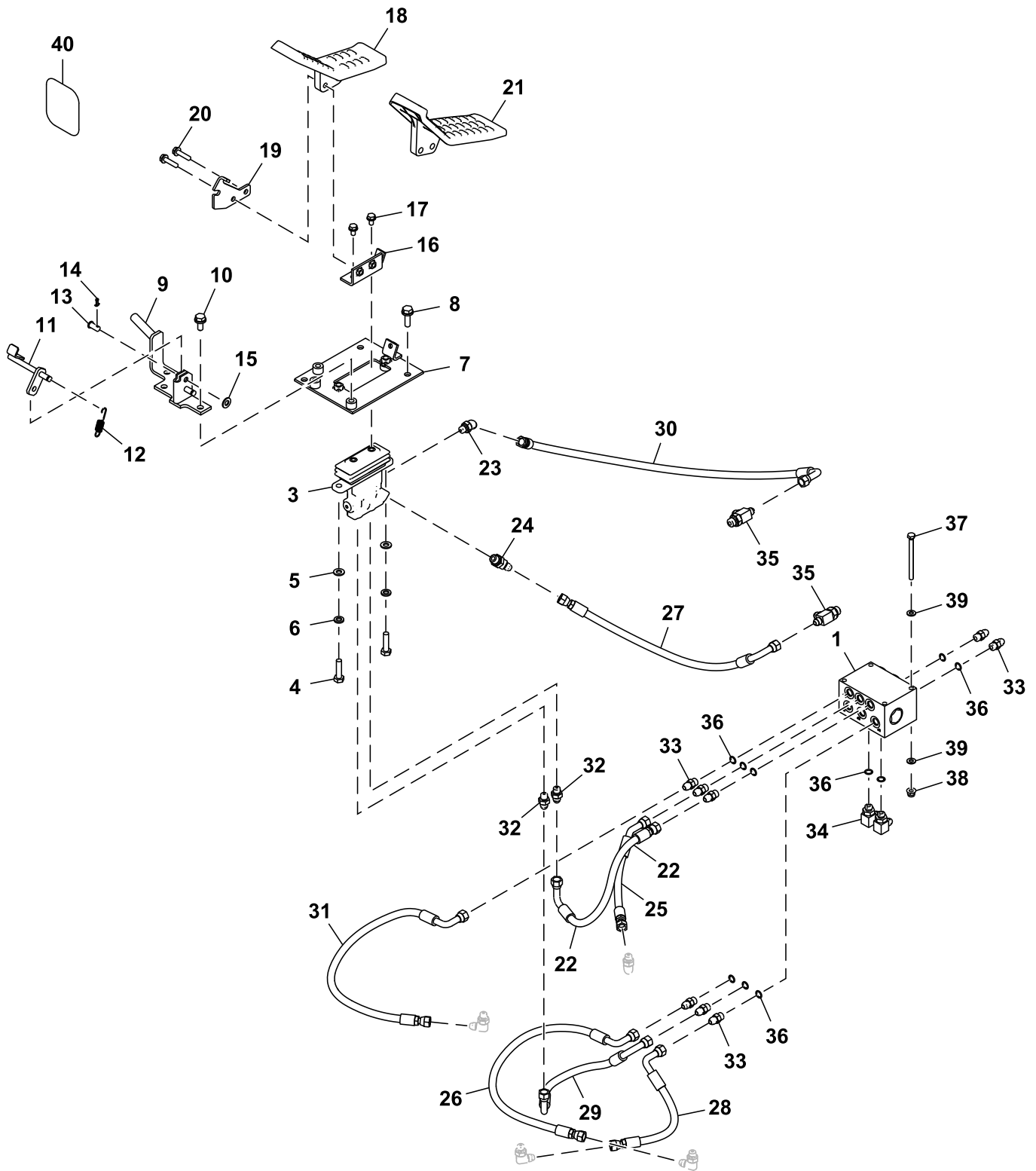


TX1163386

Key	Part No.	Part Name	Qty.	Serial No.	Remarks
0	FYB6000024	Hyd Actuated Control Valve	1		Components On Separate Page
1	19M7358	Cap Screw	2		M10 X 40, SUB FOR J901040
2	24M7028	Washer	2		10.500 X 20 X 2 mm, SUB FOR A590110
3	12M7066	Lock Washer	2		10 mm, SUB FOR A590910
4	8101299	Bracket	1		
5	Screw With Washer	3		J271035 NLA
	19M7550	Cap Screw	3		M10 X 35, SUB FOR J901035
	24M7346	Washer	3		11 X 20 X 2 mm, SUB FOR J222010
6	4317640	Bolt	1		
7	14M7273	Nut	1		M8, SUB FOR M500807
8	8106893	Bracket	1		
9	A852233	Elbow Fitting	1		
10	Screw With Washer	3		J271025 NLA
	19M7402	Cap Screw	3		M10 X 25, SUB FOR J901025
	24M7346	Washer	3		11 X 20 X 2 mm, SUB FOR J222010
12	9766166	Stop	1		
13	4279604	Spring	1		
14	4287795	Pin	1		
15	11M7080	Cotter Pin	1		2.500 X 16 mm, SUB FOR A763016
16	24M7028	Washer	1		10.500 X 20 X 2 mm, SUB FOR A590110
19	9765447	Bracket	1		
20	Screw With Washer	2		J260816 NLA
	19M7162	Cap Screw	2		M8 X 16
	24M7055	Washer	2		8.400 X 16 X 1.600 mm
21	1033219	Pedal	1		Left
22	4660755	Plate	1		
23	Screw With Washer	2		J260835 NLA
	19M7298	Cap Screw	2		M8 X 35
	24M7055	Washer	2		8.400 X 16 X 1.600 mm
24	AT71082	Hydraulic Hose	4		Fabricate
26	3106855	Pedal	1		Right
27	AT215538	Hydraulic Hose	4		Fabricate
28	AT170459	Hyd Actuated Control Valve	1		
29	AT35121	Elbow Fitting	3		
32	R26448	O-Ring	10		
33	14M7298	Flange Nut	4		M8
38	R27212	Fitting	7		
40	19M7296	Cap Screw	4		M8 X 100, SUB FOR J900800
41	24M7055	Washer	4		8.400 X 16 X 1.600 mm, SUB FOR A590108
42	T153674	Label	1		Without Auxiliary
	T153676	Label	1		With Auxiliary
43	AE24616	Elbow Fitting	3		
44	AT36921	Tee Fitting	2		
45	A852123	Adapter Fitting	3		
47	AT216983	Hydraulic Hose	2		Fabricate
50	AT390776	Field Installation Kit	1		Whole Goods

Single Pedal Propel (340457 -)

TX1251655 A.1



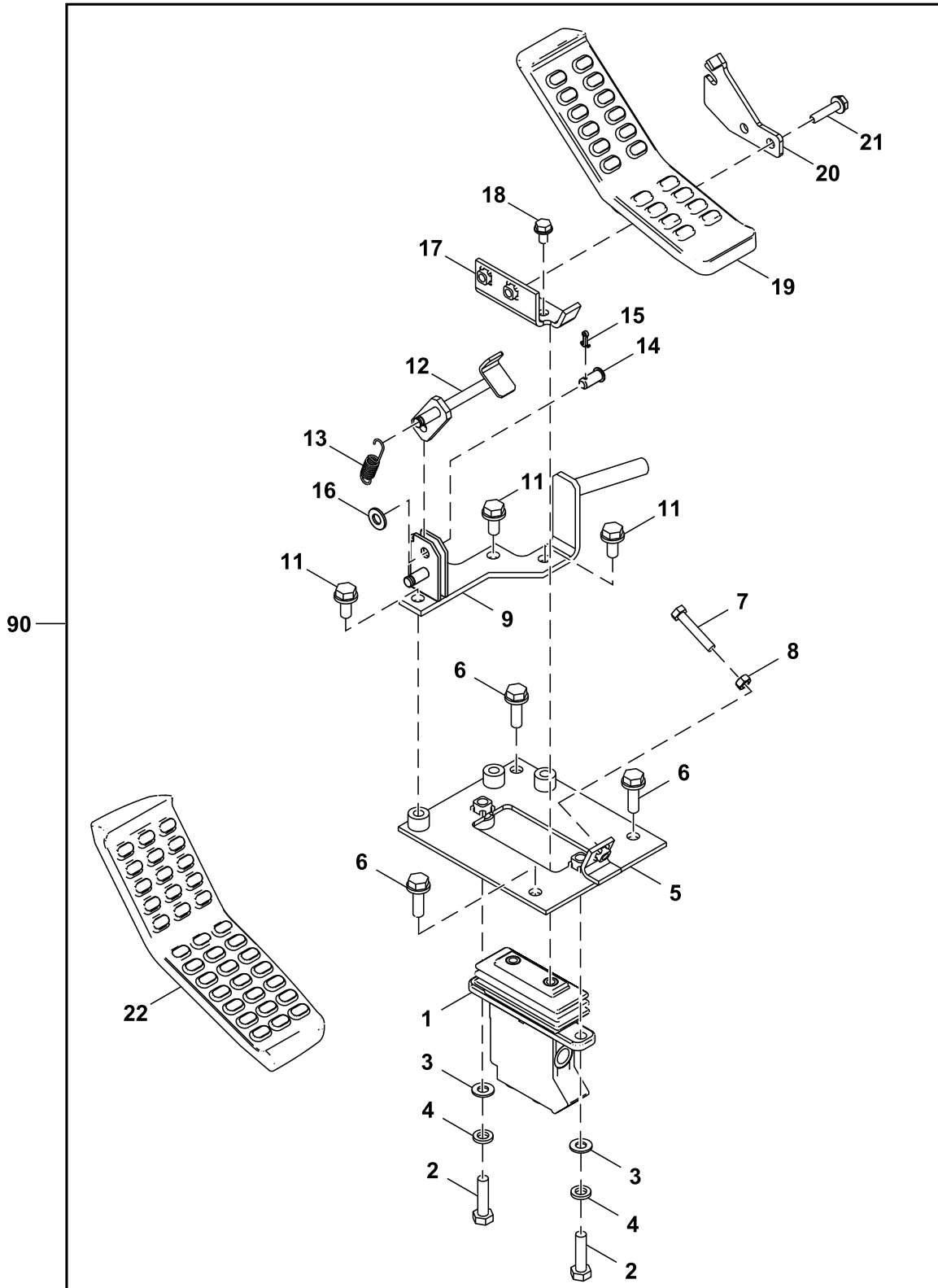
FF551161_TX1251655

33 Backhoe and Excavator
3315 Controls Linkage

Key	Part No.	Part Name	Qty.	Serial No.	Remarks
1	AT170459	Hyd Actuated Control Valve	1		
3	FYB60000024	Hyd Actuated Control Valve	1		
4	19M7358	Cap Screw	2		M10 X 40, SUB FOR J901040
5	24M7028	Washer	2		10.500 X 20 X 2 mm, SUB FOR A590110
6	12M7066	Lock Washer	2		10 mm, SUB FOR A590910
7	8101299	Bracket	1		
8	Screw With Washer	3		J271035 NLA
	24M7346	Washer	3		11 X 20 X 2 mm
	19M7550	Cap Screw	3		M10 X 35
9	8106893	Bracket	1		
10	Screw With Washer	3		J271025 NLA
	24M7346	Washer	3		11 X 20 X 2 mm
	19M7402	Cap Screw	3		M10 X 25
11	9766166	Stop	1		
12	4279604	Spring	1		
13	4287795	Pin	1		
14	11M7080	Cotter Pin	1		2.500 X 16 mm, SUB FOR A763016
15	24M7028	Washer	1		10.500 X 20 X 2 mm, SUB FOR A590110
16	9765447	Bracket	1		
17	Screw With Washer	2		J260816 NLA
	19M7162	Cap Screw	2		M8 X 16
	24M7055	Washer	2		8.400 X 16 X 1.600 mm
18	1033219	Pedal	1		
19	4660755	Plate	1		
20	Screw With Washer	2		J260835 NLA
	19M7298	Cap Screw	2		M8 X 35
	24M7055	Washer	2		8.400 X 16 X 1.600 mm
21	3106855	Pedal	1		
22	FF551167	Hydraulic Hose	1		
23	A852223	Elbow Fitting	1		
24	A852233	Elbow Fitting	1		
25	FF551170	Hydraulic Hose	1		
26	FF551171	Hydraulic Hose	1		
27	4689854	Hydraulic Hose	1		
28	FF551173	Hydraulic Hose	1		
29	FF551174	Hydraulic Hose	1		
30	4721449	Hose	1		
31	FF551176	Hydraulic Hose	1		
32	A852123	Adapter Fitting	2		
33	R27212	Fitting	8		
34	AT35121	Elbow Fitting	2		
35	A852433	Tee Fitting	2		
36	R26448	O-Ring	10		
37	19M7296	Cap Screw	4		M8 X 100, SUB FOR J900800
38	14M7396	Lock Nut	4		M8
39	24M7055	Washer	8		8.400 X 16 X 1.600 mm, SUB FOR A590108
40	T153674	Label	1		Single Pedal Propel

Two-Way Auxiliary Foot Pedal

TX1130497 C.1



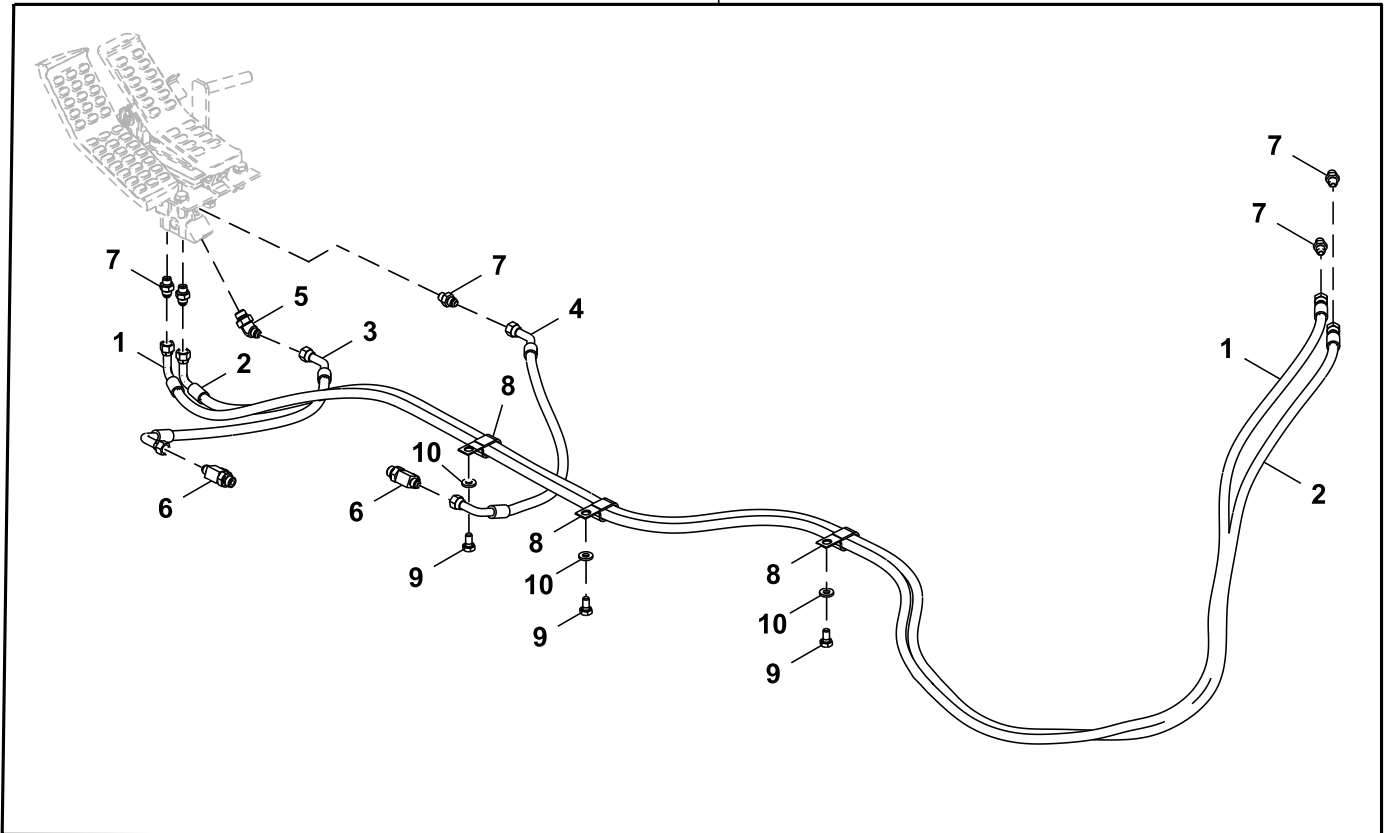
TX1130497

Key	Part No.	Part Name	Qty.	Serial No.	Remarks
1	FYB6000024	Hyd Actuated Control Valve	1		Auxiliary Pilot Control Valve, Components On Separate Page
2	19M7358	Cap Screw	2		M10 X 40, SUB FOR J901040
3	24M7028	Washer	2		10.500 X 20 X 2 mm, SUB FOR A590110
4	12M7066	Lock Washer	2		10 mm, SUB FOR A590910
5	8101299	Bracket	1		
6	Screw With Washer	4		J271035 NLA
	19M7550	Cap Screw	4		M10 X 35, SUB FOR J901035
	24M7055	Washer	4		8.400 X 16 X 1.600 mm, SUB FOR A590108
7	4317640	Bolt	1		
8	14M7273	Nut	1		M8, SUB FOR M500807
9	8106893	Bracket	1		
11	19M7402	Cap Screw	3		M10 X 25, SUB FOR J901025
12	9766166	Stop	1		
13	4279604	Spring	1		
14	4287795	Pin	1		
15	11M7080	Cotter Pin	1		2.500 X 16 mm, SUB FOR A763016
16	24M7028	Washer	1		10.500 X 20 X 2 mm, SUB FOR A590110
17	9765447	Bracket	1		
18	19M7162	Cap Screw	2		M8 X 16, SUB FOR J900816
19	1033219	Pedal	1		Right
20	4660755	Plate	1		
21	19M7298	Cap Screw	2		M8 X 35, SUB FOR J900835
22	3106855	Pedal	1		Left
90	Field Installation Kit	1		Additional Components On Separate Page, Whole Goods, AT390724 NLA

Two-Way Auxiliary Foot Pedal Hoses

TX1103966 D.1

30

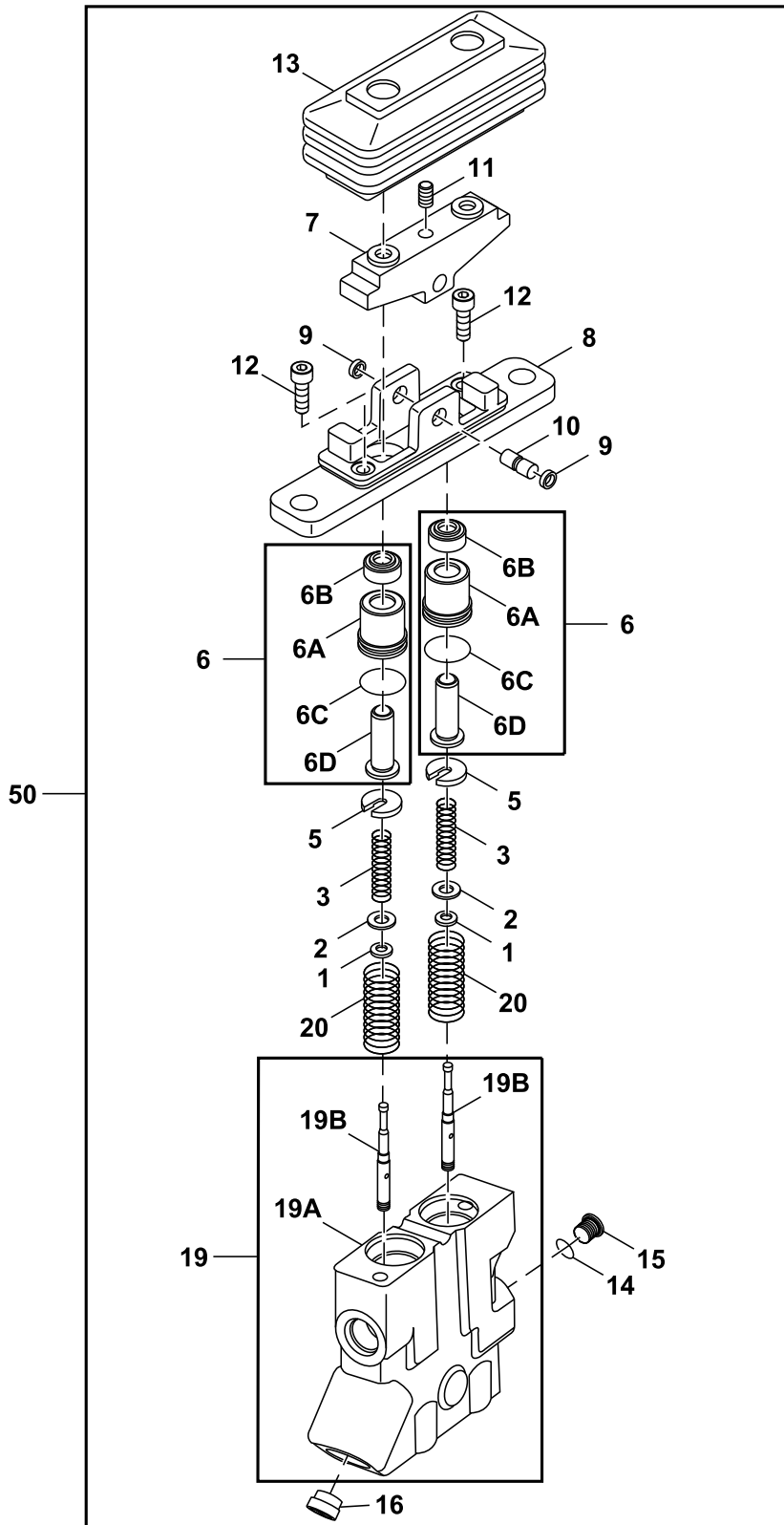


TX1103966

Key	Part No.	Part Name	Qty.	Serial No.	Remarks
1	4652483	Hydraulic Hose	1		
2	4656363	Hose	1		
3	4648204	Hydraulic Hose	1		SUB FOR 4450249
4	4648205	Hydraulic Hose	1		
5	A852233	Elbow Fitting	1		
6	A852433	Tee Fitting	2		
7	A852123	Adapter Fitting	5		
8	T32854	Clamp	3		SUB FOR 4190282
9	19M7938	Cap Screw	3		M10 X 20, SUB FOR J901020
10	24M7346	Washer	3		11 X 20 X 2 mm, SUB FOR DH400703
30	Field Installation Kit	1		AT390724 NLA, Additional Components On Separate Page

Auxiliary Pilot Control Valve Components

TX1086075 F.1

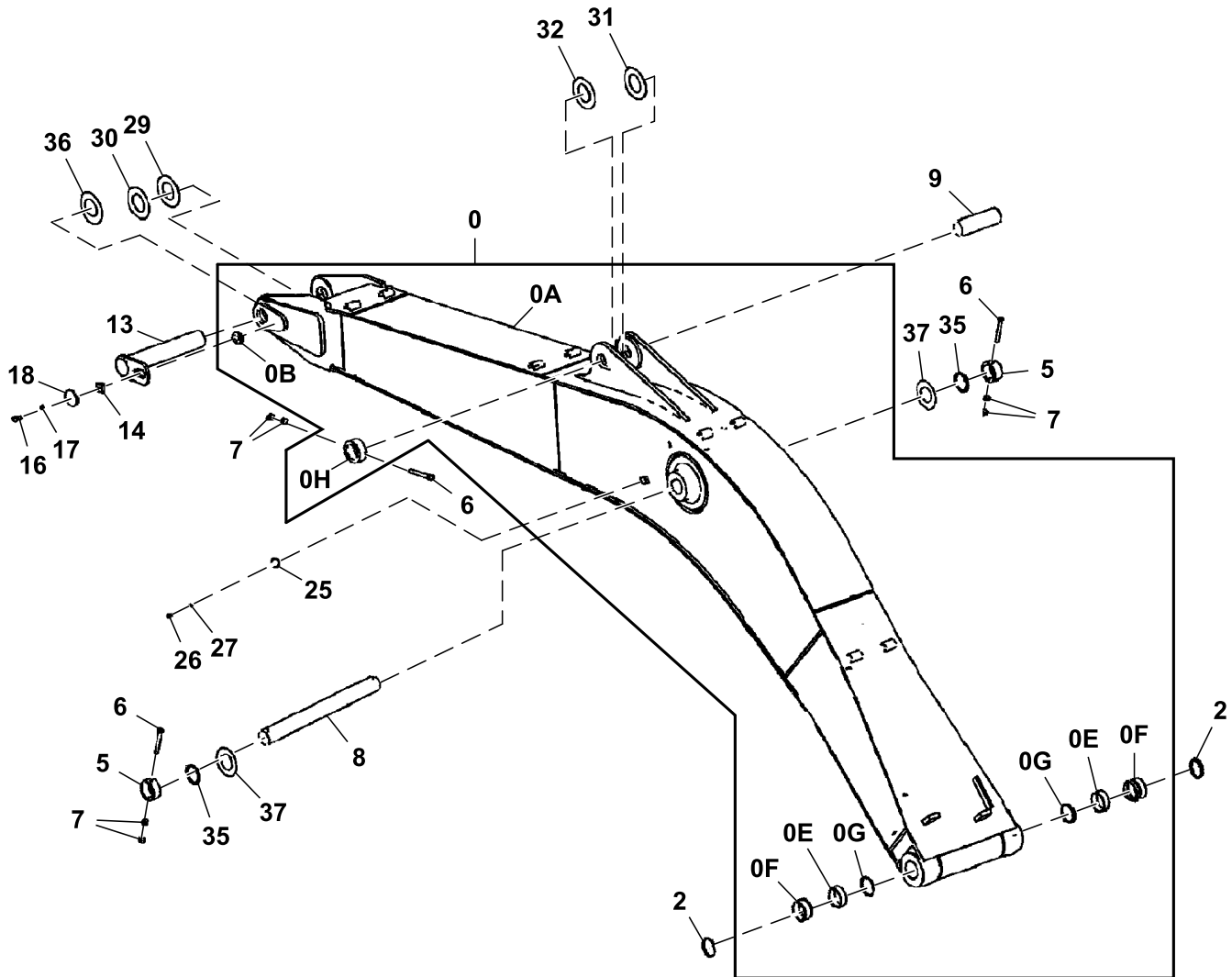


TX1086075

Key	Part No.	Part Name	Qty.	Serial No.	Remarks
1	4319299	Spacer	2		
2	4203411	Shim	6		0.1 mm (0.003 in)
3	4474214	Compression Spring	2		
5	4682361	Guide	2		
6	9214706	Piston	2		
6A	3095375	Bushing	1		
6B	4447050	Seal	1		
6C	4306888	O-Ring	1		SUB FOR 4269615
6D	9758896	Piston	1		
7	4474216	Cam	1		SUB FOR 4609781, ALSO ORDER (2) 4482606
	4482606	Spacer	2		
8	Base	1		2048256 NSEP
9	4480261	Bushing	2		
10	4474217	Pin	1		
11	4209728	Set Screw	1		
12	19M8505	Screw	2		M6 X 25, SUB FOR J780625
13	2048374	Boot	1		
14	CH11561	Packing	1		SUB FOR 964255 AND Z964255
15	4208977	Drain Plug	1		
16	9773023	Plug	1		
19	FYB40000001	Valve Cover	1		
19A	Valve Cover	1		NSEP
19B	Spool	2		NSEP
20	4481334	Spring	2		
50	FYB60000024	Hyd Actuated Control Valve	1		Auxiliary Pilot

Boom, 5.68 m (18.7 ft)

TX1276635 A.1



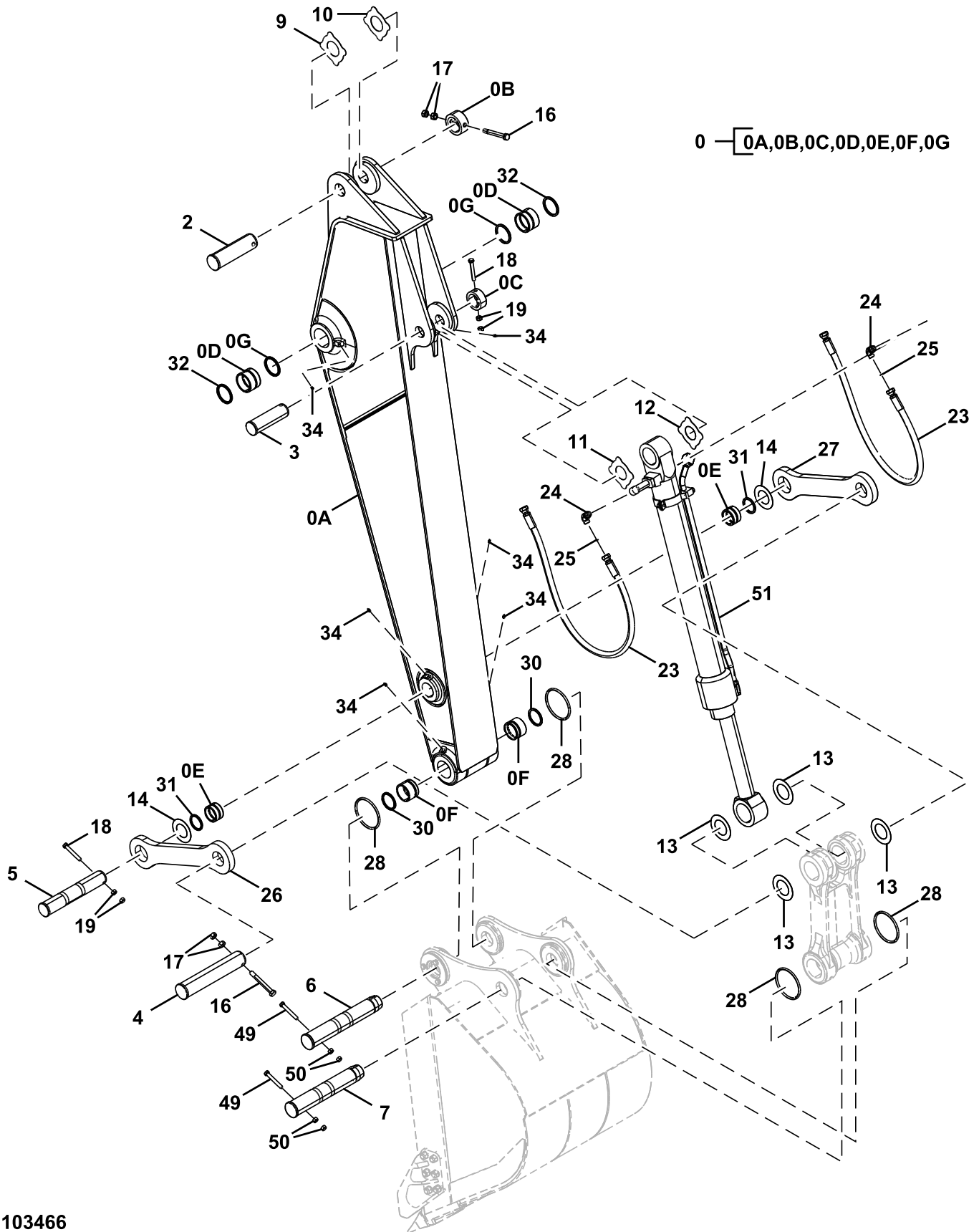
TX1276635

**33 Backhoe and Excavator
3340 Backhoe and Excavator Frames**

Key	Part No.	Part Name	Qty.	Serial No.	Remarks
0	7046189H	Excavator Boom	1		SUB FOR 7046189
0A	Excavator Boom	1		5009654 NSEP
0B	4426117	Stop	1		
0E	4402460	Bushing	2		
0F	4443880	Bushing	2		
0G	TH102445	Seal	2		SUB FOR 4067901
0H	4434953	Stop	1		
2	TH102445	Seal	2		SUB FOR 4067901
5	TH102409	Bushing	2		SUB FOR 4067720
6	4435126	Pin Fastener	2		
7	14M7277	Nut	4		M20, SUB FOR J950020
8	3088574	Pin	1		
9	3088575	Pin	1		
13	8102957	Pin	1		
14	4424425	Spacer	1		
16	T116332	Bolt	1		M18 X 40, SUB FOR J921840
17	24M7353	Washer	1		20 X 34 X 3 mm, SUB FOR J222018
18	4640621	Plate	1		
25	4224631	Angle	1		
26	19M7877	Cap Screw	1		M14 X 30, SUB FOR J901430
27	J222014	Washer	1		
29	FF110026	Shim	1		1.5 mm (0.06 in), SUB FOR 4460370
30	FF110001	Shim	1		1.0 mm (0.04 in), SUB FOR 4444284
31	FF110003	Shim	1		1.0 mm (0.04 in), SUB FOR 4444286
32	FF110004	Shim	1		2.0 mm (0.08 in), SUB FOR 4444287
35	FF110010	Shim	2		1.0 mm (0.04 in), SUB FOR 4444755
36	FF110002	Shim	1		2.0 mm (0.08 in), SUB FOR 4444285
37	FF110023	Shim	2		1.0 mm (0.04 in), SUB FOR 4450013

Short Arm 2.42 m (7.94 ft)

TX1103466 A.1



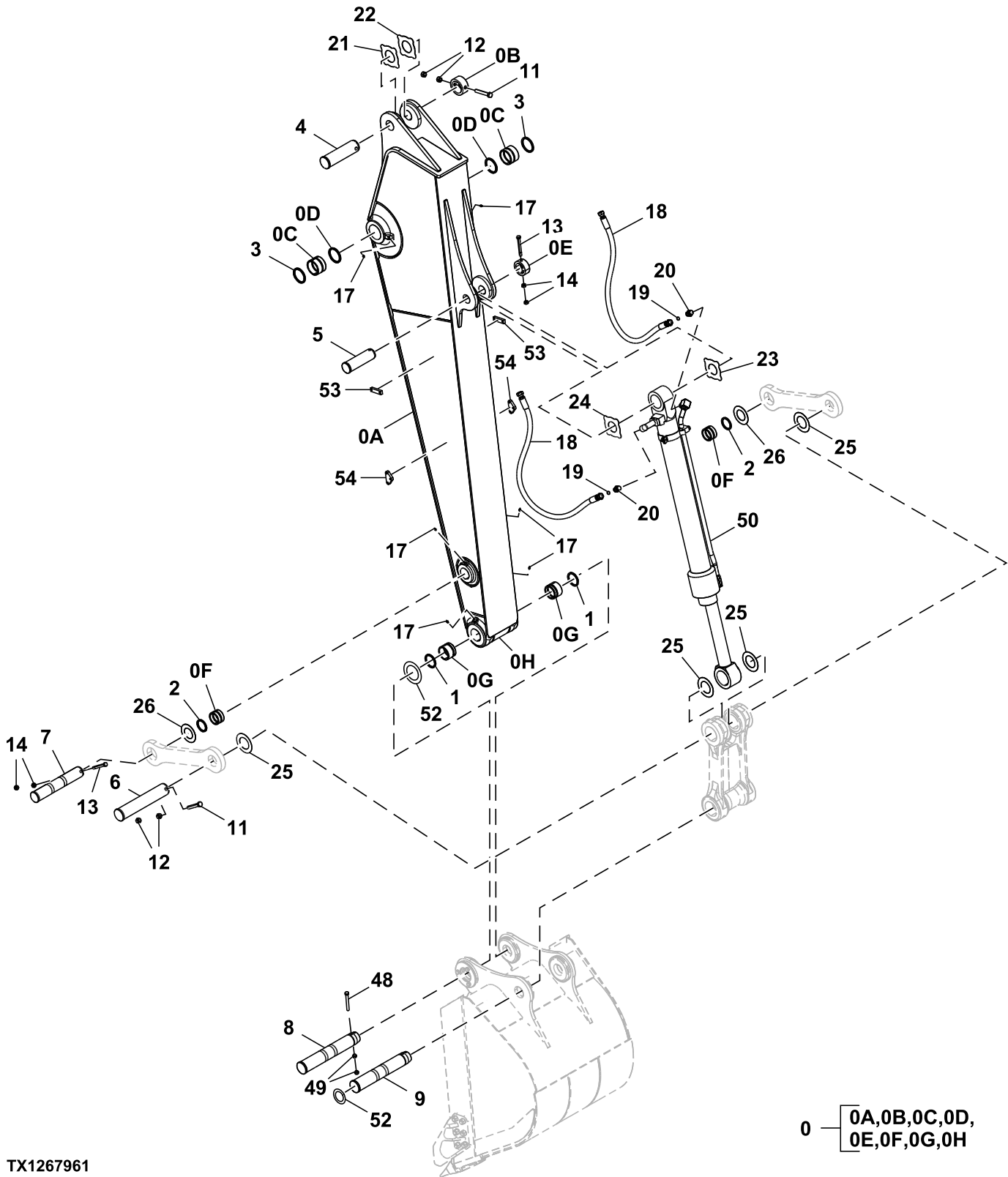
TX1103466

33 Backhoe and Excavator
3340 Backhoe and Excavator Frames

Key	Part No.	Part Name	Qty.	Serial No.	Remarks
0	7048654H	Arm	1		SUB FOR 7048654
0A	Arm	1		5010089 NLA
0B	4434953	Stop	1		
0C	4435239	Stop	1		
0D	4443881	Bushing	2		
0E	4409122	Bushing	2		
0F	4409178	Bushing	2	-340112	Oil Impregnated
	FF535337	Bushing	2	340113-	Steel
0G	TH102445	Seal	2		SUB FOR 4067901
2	3088575	Pin	1		
3	3088578	Pin Fastener	1		
4	AT317252	Pin Fastener	1		SUB FOR 3088581
5	3088579	Pin Fastener	1		
6	3088577	Pin Fastener	1		
7	3088580	Pin Fastener	1		
9	4444286	Thrust Washer	1		1 mm (0.04 in)
10	4444287	Thrust Washer	1		2 mm (0.08 in)
11	4361293	Plate	1		1 mm (0.04 in), SUB FOR 4444288
12	4361294	Plate	1		2 mm (0.08 in), SUB FOR 4444289
13	4450012	Thrust Washer	4		1 mm (0.04 in)
14	4450011	Thrust Washer	2		1 mm (0.04 in)
16	4435126	Pin Fastener	2		
17	14M7277	Nut	4		M20, SUB FOR J950020, SUB FOR 3063826
18	4435124	Pin Fastener	2		
19	14M7276	Nut	4		M16, SUB FOR J950016
23	4628043	Hydraulic Hose	2		
24	A853366	Elbow Fitting	2		INCLUDES AT318035
	AT318035	O-Ring	1		SUB FOR 4506424
25	T77858	O-Ring	2		SUB FOR 4187308
26	3084173H	Link	1		SUB FOR 3084173
27	8074315H	Link	1		SUB FOR 8074315
28	4089028	O-Ring	4		Standard O-Ring
	AT349466	Seal	4		Split O-Ring
	T379473	V-Ring Seal	4		V O-Ring
30	4067902	Seal	2		
31	TH104472	Seal	2		SUB FOR 4084578
32	TH102445	Seal	2		SUB FOR 4067901
34	TH100074	Lubrication Fitting	6		SUB FOR J75481
49	19H3256	Cap Screw	2		5/8" X 6"
50	14H1039	Nut	4		5/8"
51	Hydraulic Cylinder	1		9248307H NLA, ORDER 9312272H, Bucket Cylinder, Components On Separate Page
	9312272H	Hydraulic Cylinder	1		Bucket Cylinder

Arm, 2.91 m (9.55 ft)

TX1267961 C.1



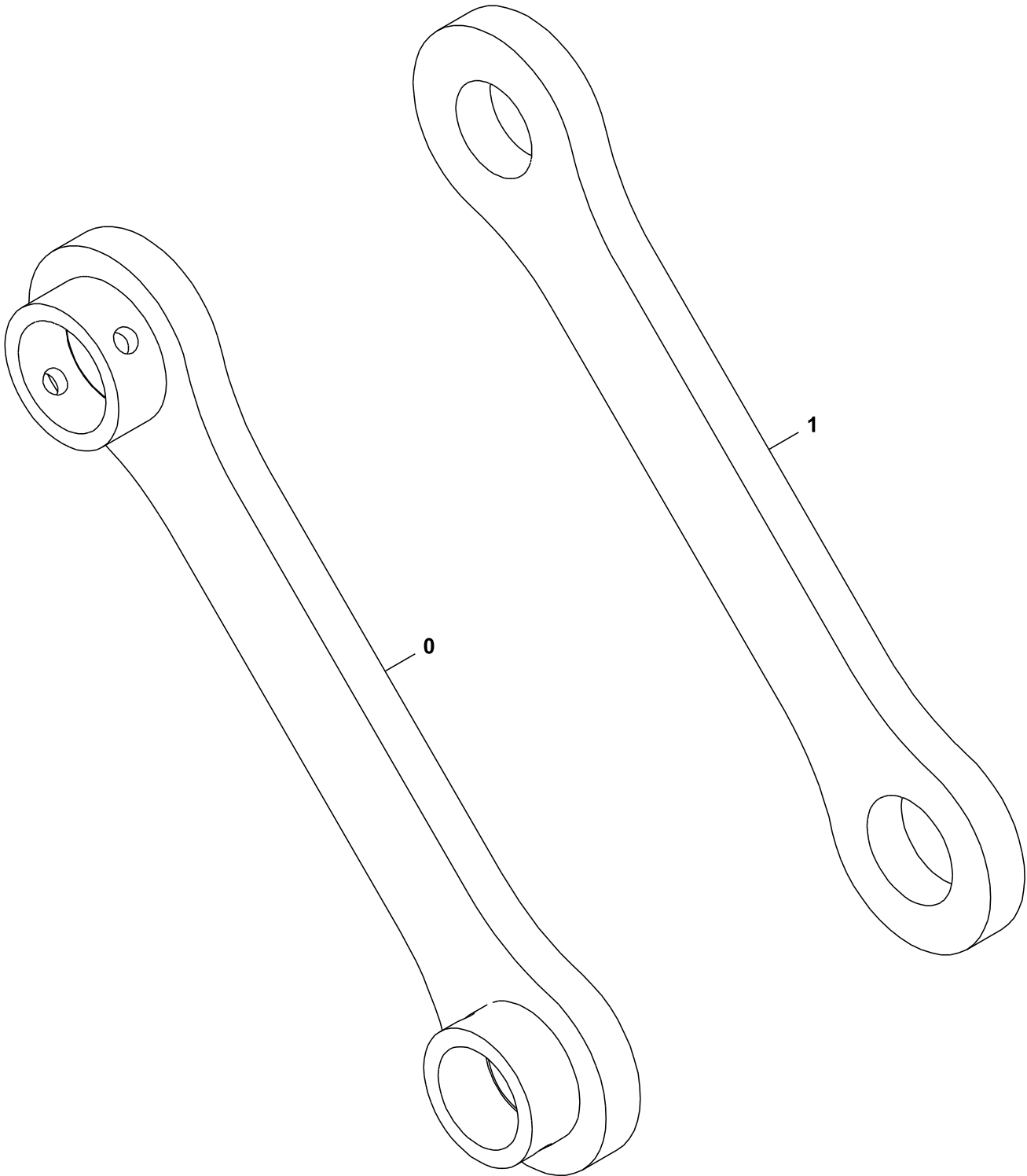
TX1267961

**33 Backhoe and Excavator
3340 Backhoe and Excavator Frames**

Key	Part No.	Part Name	Qty.	Serial No.	Remarks
0	7047110H	Arm	1		SUB FOR 7047110
0A	Arm	1		5009668 NSEP
0B	4434953	Stop	1		
0C	4443881	Bushing	2		
0D	TH102445	Seal	2		SUB FOR 4067901
0E	4435239	Stop	1		
0F	4409122	Bushing	2		
0G	FF535337	Bushing	2		Steel
0H	8070638	Boss	1		Replacement Arm End Parts
1	TH102446	Seal	2		SUB FOR 4067902
2	TH104472	Seal	2		SUB FOR 4084578
3	TH102445	Seal	2		SUB FOR 4067901
4	3088575	Pin	1		
5	3088578	Pin Fastener	1		
6	AT317252	Pin Fastener	1		SUB FOR 3088581
7	3088579	Pin Fastener	1		
8	3088577	Pin Fastener	1		
9	3088580	Pin Fastener	1		
11	4435126	Pin Fastener	2		
12	14M7277	Nut	4		M20, SUB FOR J950020 AND 3063826
13	4435124	Pin Fastener	2		
14	14M7276	Nut	4		M16, SUB FOR J950016
17	J75481	Fitting	6		
18	4628043	Hydraulic Hose	2		
19	T77858	O-Ring	2		SUB FOR 4187308
20	A853166	Adapter Fitting	2		INCLUDES AT318035
	AT318035	O-Ring	1		SUB FOR 4506424
21	FF110003	Shim	1		1.0 mm (0.04 in)
22	FF110004	Shim	1		2.0 mm (0.078 in)
23	FF110006	Shim	1		1.0 mm (0.04 in)
24	FF110005	Shim	1		2.0 mm (0.078 in)
25	FF110022	Shim	4		1.0 mm (0.04 in)
26	FF110021	Shim	2		1.0 mm (0.04 in)
48	19H3256	Cap Screw	1		5/8" X 6", SUB FOR AC01130NC
49	14H1039	Nut	2		5/8", SUB FOR AC07007NC
50	9312272H	Cylinder	1		9248307H NLA, Bucket Cylinder, Components On Separate Page
52	FF106009	Shim	2		
53	4434246	Bracket	2	340891-	
54	FF554193	Bracket	2	340891-	

Arm Link

TX1117896 B.1

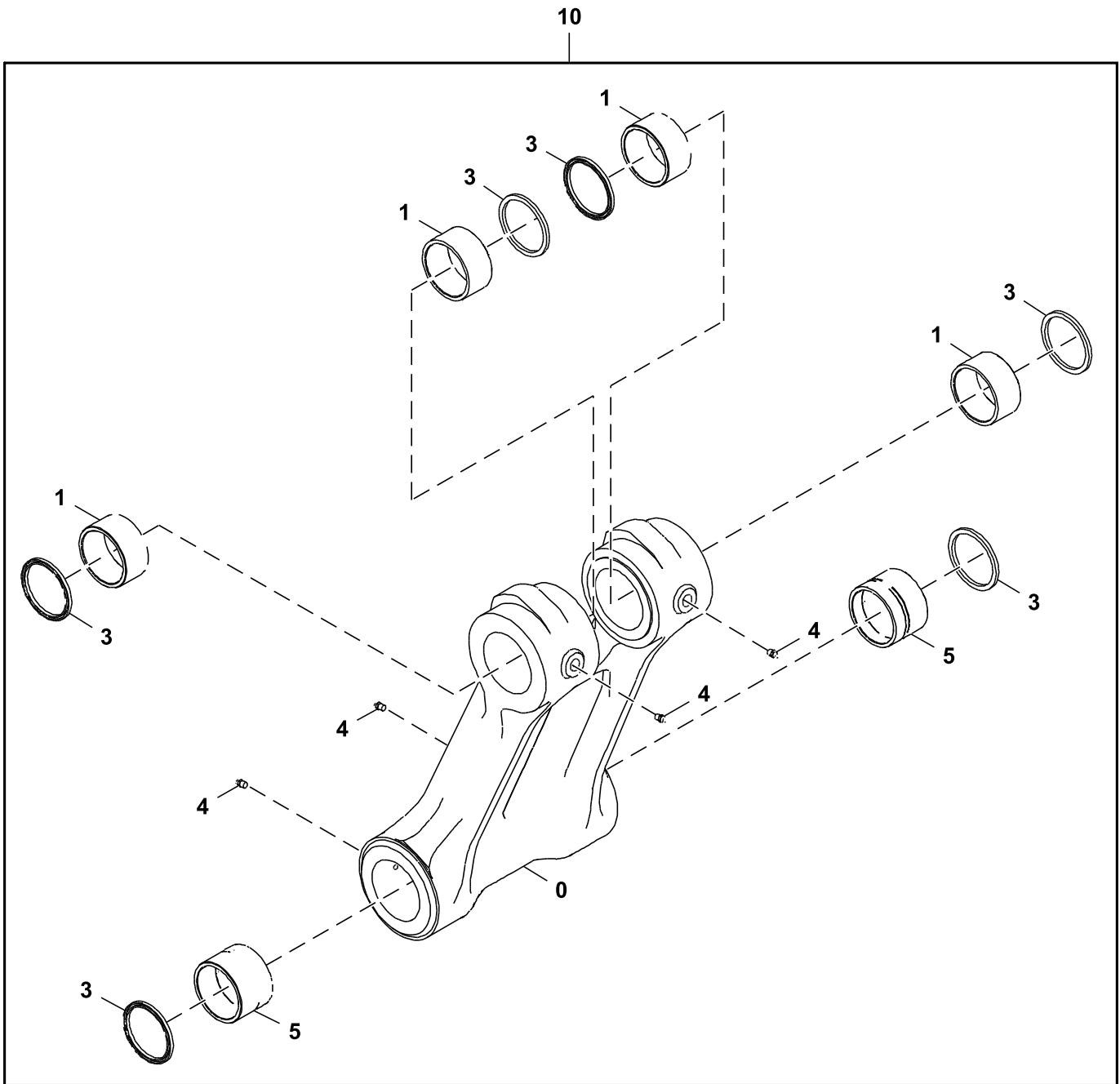


TX1117896

Key	Part No.	Part Name	Qty.	Serial No.	Remarks
0	8074315H	Link	1		Left
1	3084173H	Link	1		Right

Bucket Link

TX1117895 B.1



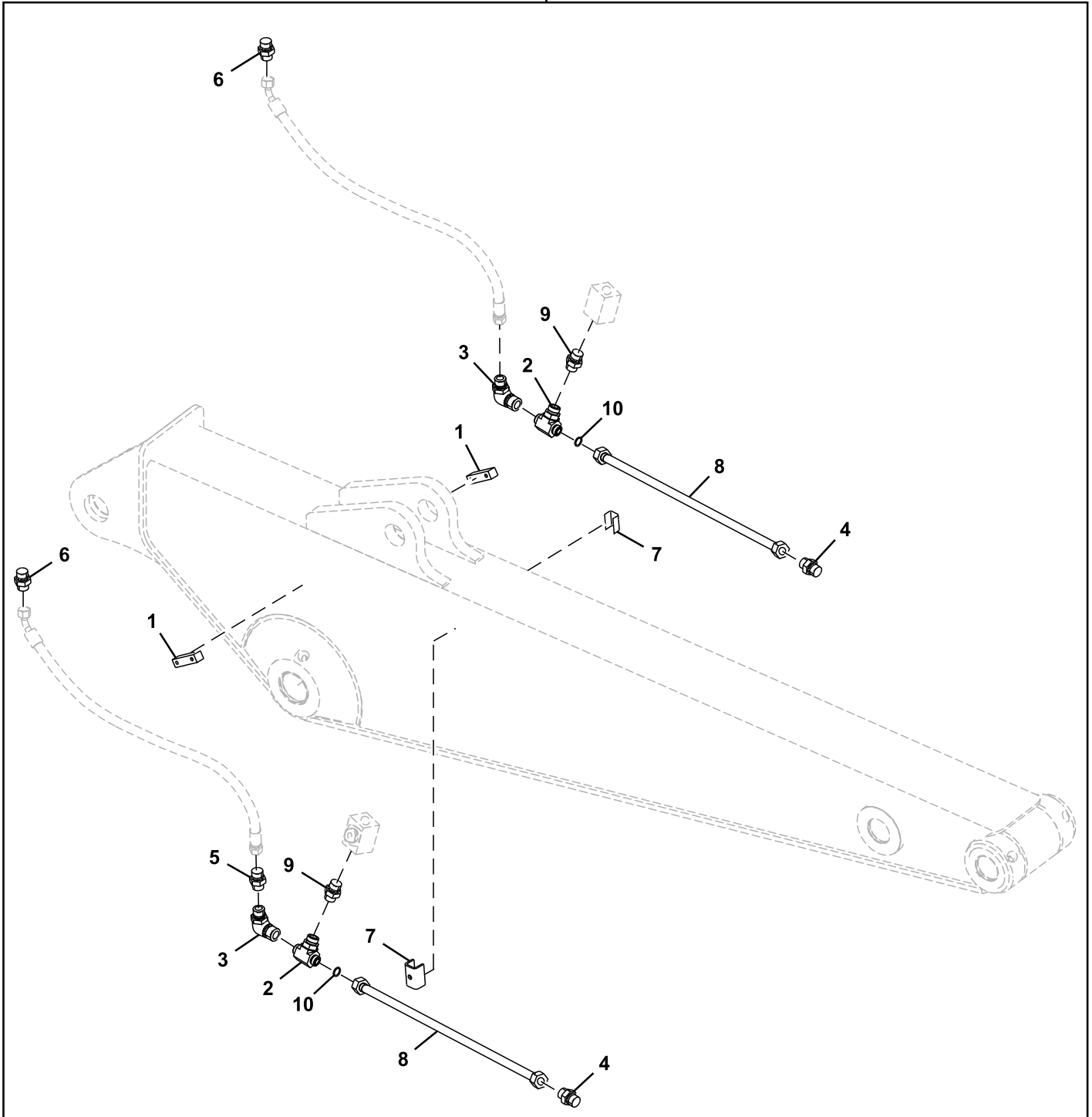
TX1117895

Key	Part No.	Part Name	Qty.	Serial No.	Remarks
0	Link	1		1027222 NSEP
1	4352398	Bushing	4		
3	TH102446	Seal	6		SUB FOR 4067902
4	J75481	Fitting	4		
5	4443882	Bushing	2		
10	FF550043H	Link	1		Bucket Link, SUB FOR 8076541H8076541

Combination Line Arm Kit

TX1114884 A.1

90

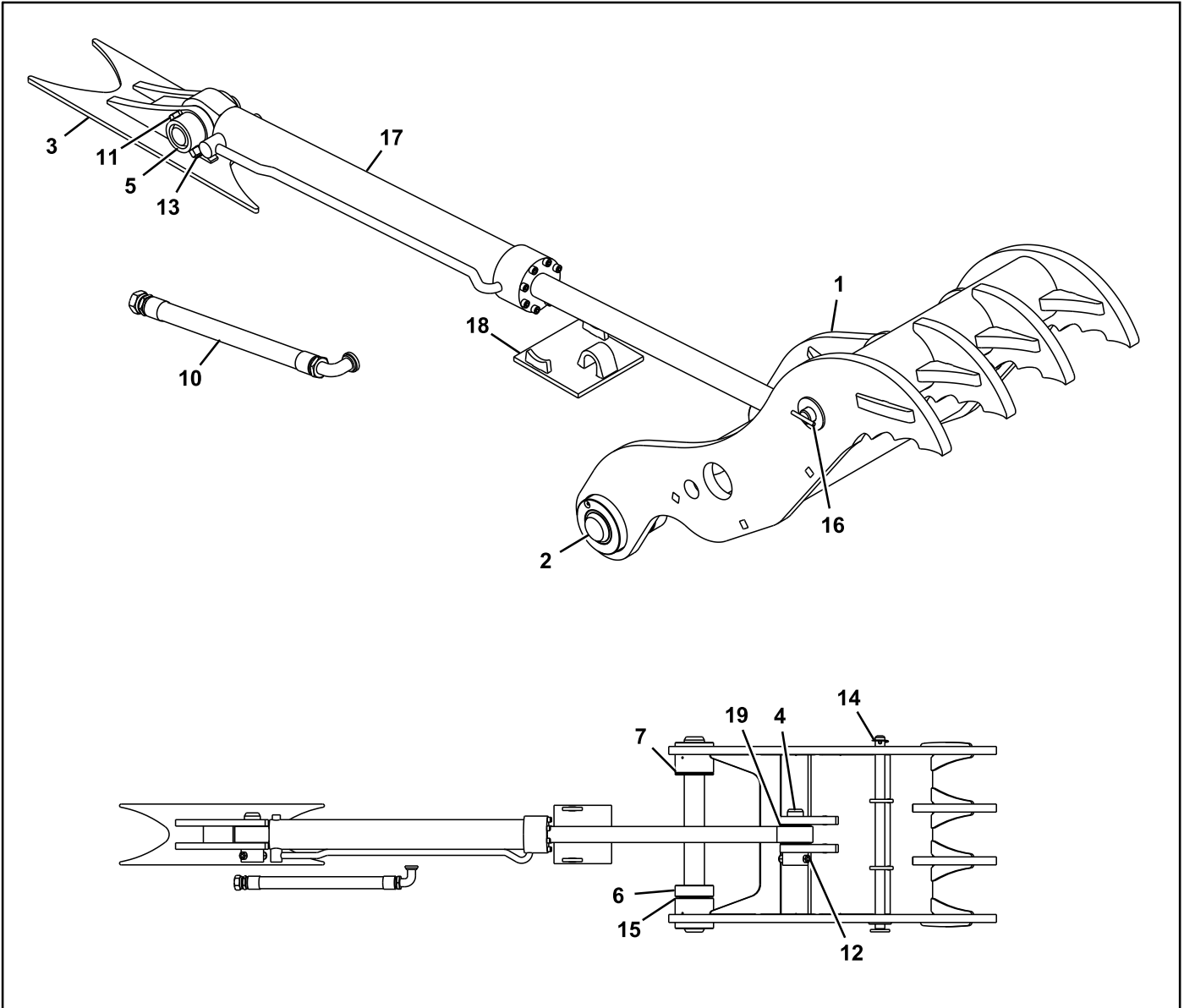


TX1114884

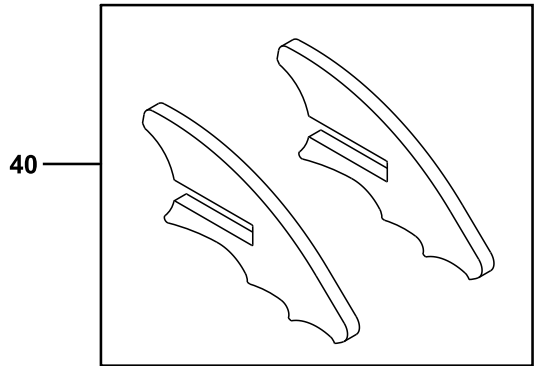
Key	Part No.	Part Name	Qty.	Serial No.	Remarks
1	4429829	Weld Nut	2		
2	38H1002	Tee Fitting	2		INCLUDES T76938
	T76938	O-Ring	2		
3	38H1098	Elbow Fitting	2		INCLUDES T76938 AND R29936
	T76938	O-Ring	1		
	R29936	O-Ring	1		
4	38H1151	Fitting Plug	2		INCLUDES T78612
	T78612	O-Ring	2		
5	38H1483	Reducer	1		INCLUDES T77858
	T77858	O-Ring	1		
6	38H1609	Adapter Fitting	2		INCLUDES T77858
	T77858	O-Ring	2		
7	9763817	Weld Nut	2		
8	FF535549	Pipe	2		SUB FOR AT343967
9	AT452759	Adapter Fitting	2		
10	T76938	O-Ring	2		
90	AT343990	Field Installation Kit	1		Whole Goods

Direct Hydraulic Thumb Kit (Kits Built 28 June 2010-)

TX1077154 C.1



0

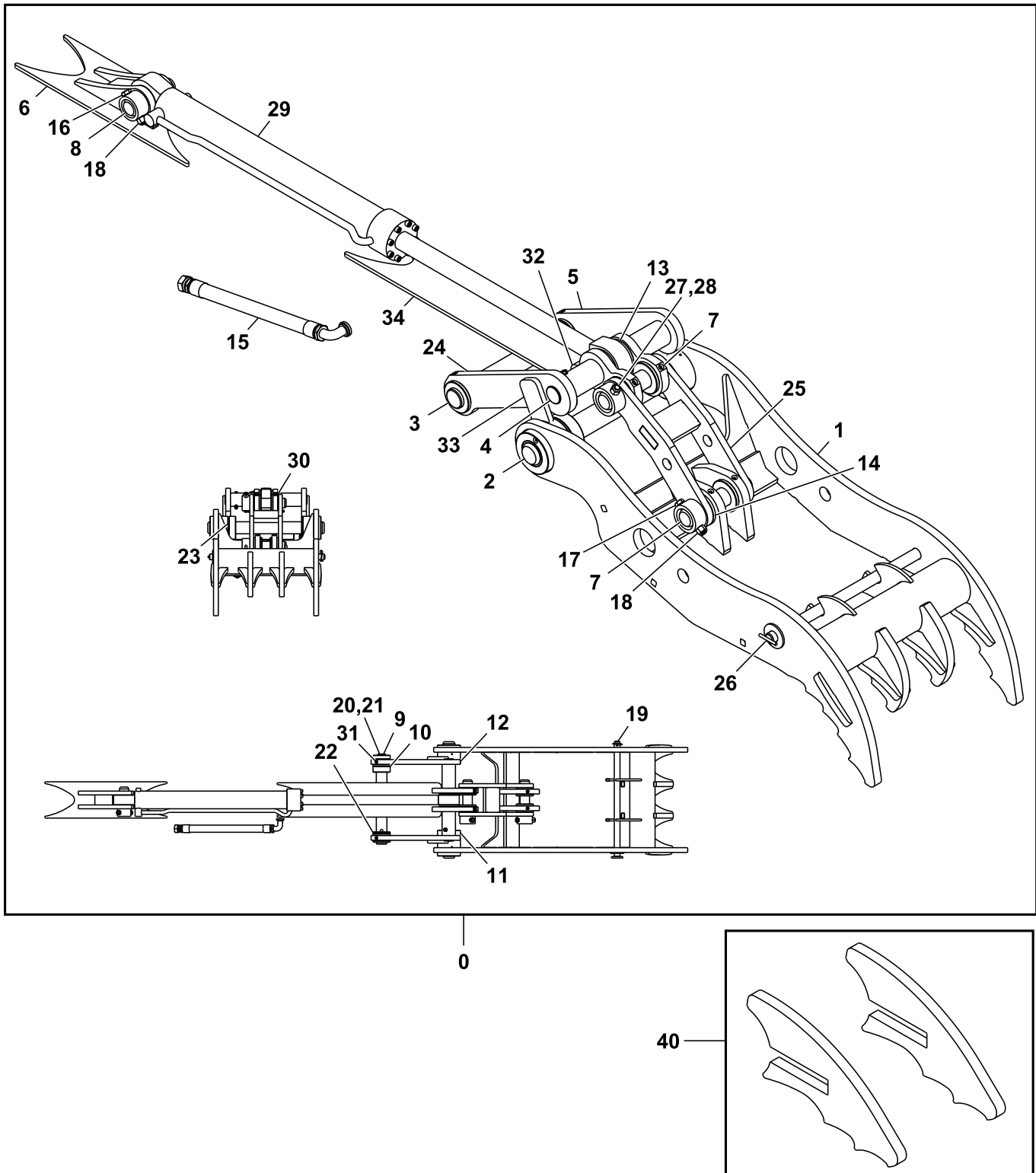


TX1077154

Key	Part No.	Part Name	Qty.	Serial No.	Remarks
0	AT379648	Field Installation Kit	1		Without Coupler, Whole Goods
	AT379649	Field Installation Kit	1		With Coupler, Whole Goods
1	Clamp	1		NSEP
2	AT387237	Pin	1		
3	Bracket	1		NSEP
4	T276467	Pin	1		
5	T229481	Pin	1		
6	Spacer	1		NSEP
7	Spacer	1		NSEP
10	AT339692	Hydraulic Hose	1		
11	19H2826	Cap Screw	1		3/4" X 4-1/2"
12	19H3105	Cap Screw	1		3/4" X 5"
13	14H1058	Nut	2		3/4"
14	T276470	Spring Locking Pin	1		
15	T229509	Shim	6		
16	AT383426	Pin	1		
17	AT383236	Hydraulic Cylinder	1		Components On Separate Page, ALSO ORDER AT383237
	AT383237	Seal Kit	1		
18	Stop	1		NSEP
19	T229515	Shim	14		
40	AT389295	Plate Kit	1		For Use With Hydraulic Thumb Kit With Coupler, Whole Goods

Progressive Hydraulic Thumb Kit (Kits Built 28 June 2010 -)

TX1077186 C.1

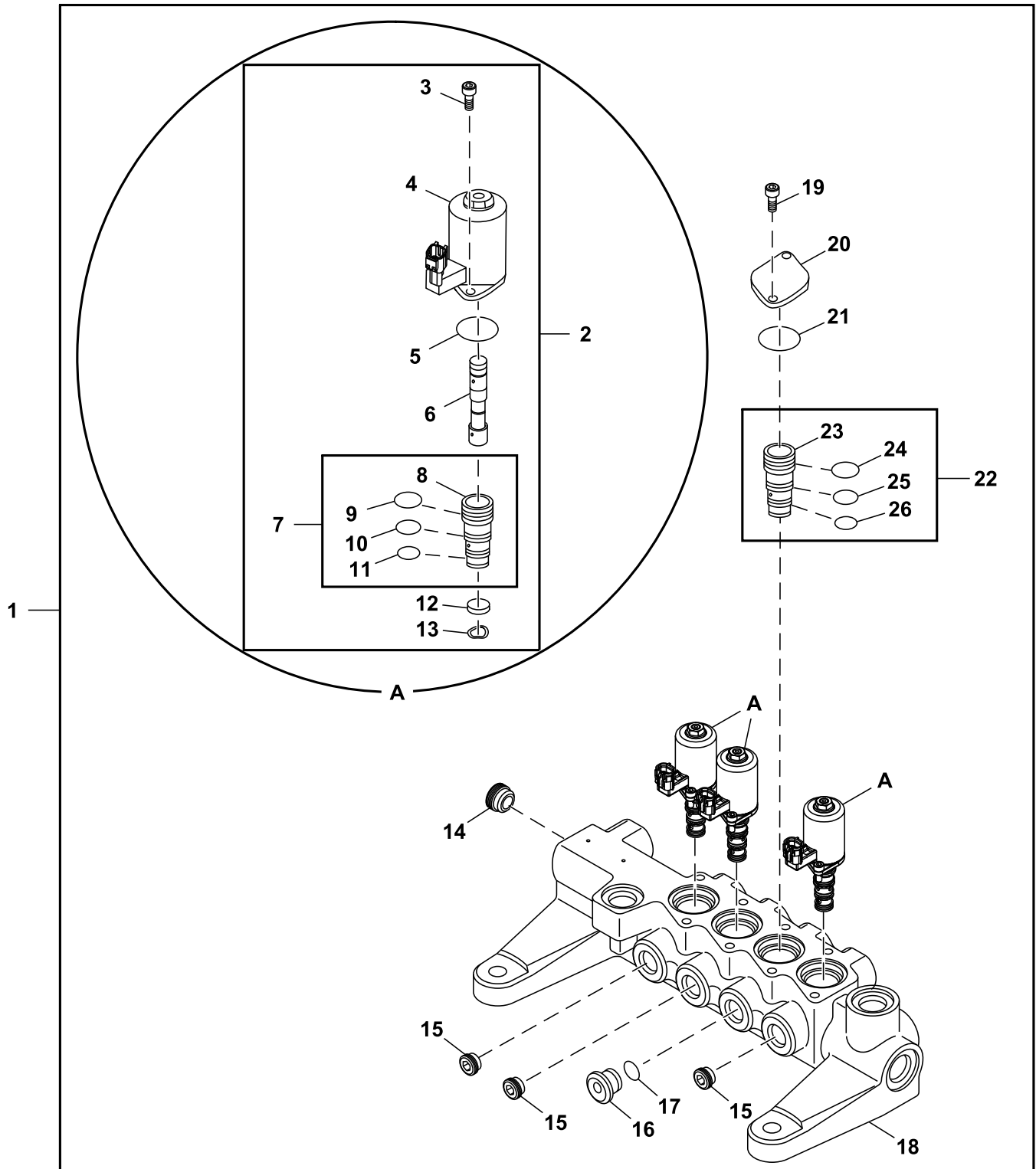


TX1077186

Key	Part No.	Part Name	Qty.	Serial No.	Remarks
0	AT379650	Field Installation Kit	1		Without Coupler, Whole Goods
	AT379651	Field Installation Kit	1		With Coupler, Whole Goods
1	Clamp	1		NSEP
2	AT387237	Pin	1		
3	AT383862	Pin	1		
4	T277101	Pin	1		
5	AT383883	Link	1		
6	Bracket	1		NSEP
7	T277102	Pin	2		
8	T229481	Pin	1		
9	T229312	Cap	1		
10	Spacer	1		NSEP
11	Spacer	1		NSEP
12	T276469	Spacer	1		
13	T229499	Thrust Washer	2		
14	T276673	Spacer	2		
15	AT342742	Hydraulic Hose	1		
16	19H2826	Cap Screw	1		3/4" X 4-1/2"
17	19H3105	Cap Screw	2		3/4" X 5"
18	14H1058	Nut	3		3/4"
19	T276470	Spring Locking Pin	1		
20	19H2633	Cap Screw	3		3/8" X 1-1/2"
21	12H304	Lock Washer	3		3/8"
22	T229330	Shim	10		
23	T229509	Shim	6		
24	AT383885	Link	1		
25	AT383886	Link	1		
26	AT383426	Pin	1		
27	12H301	Lock Washer	1		1/2"
28	19H3544	Cap Screw	1		1/2" X 4-1/2"
29	AT383236	Hydraulic Cylinder	1		Components On Separate Page, ALSO ORDER AT383237
	AT383237	Seal Kit	1		
30	T229515	Shim	7		
31	JD7759	Lubrication Fitting	4		
32	U16721	Lock Nut	1		
33	T277117	Stop	2		
34	Stop	1		NSEP
40	AT389295	Plate Kit	1		For Use With Hydraulic Thumb Kit With Coupler, Whole Goods

Solenoid Valve Components

TX1109617 D.1



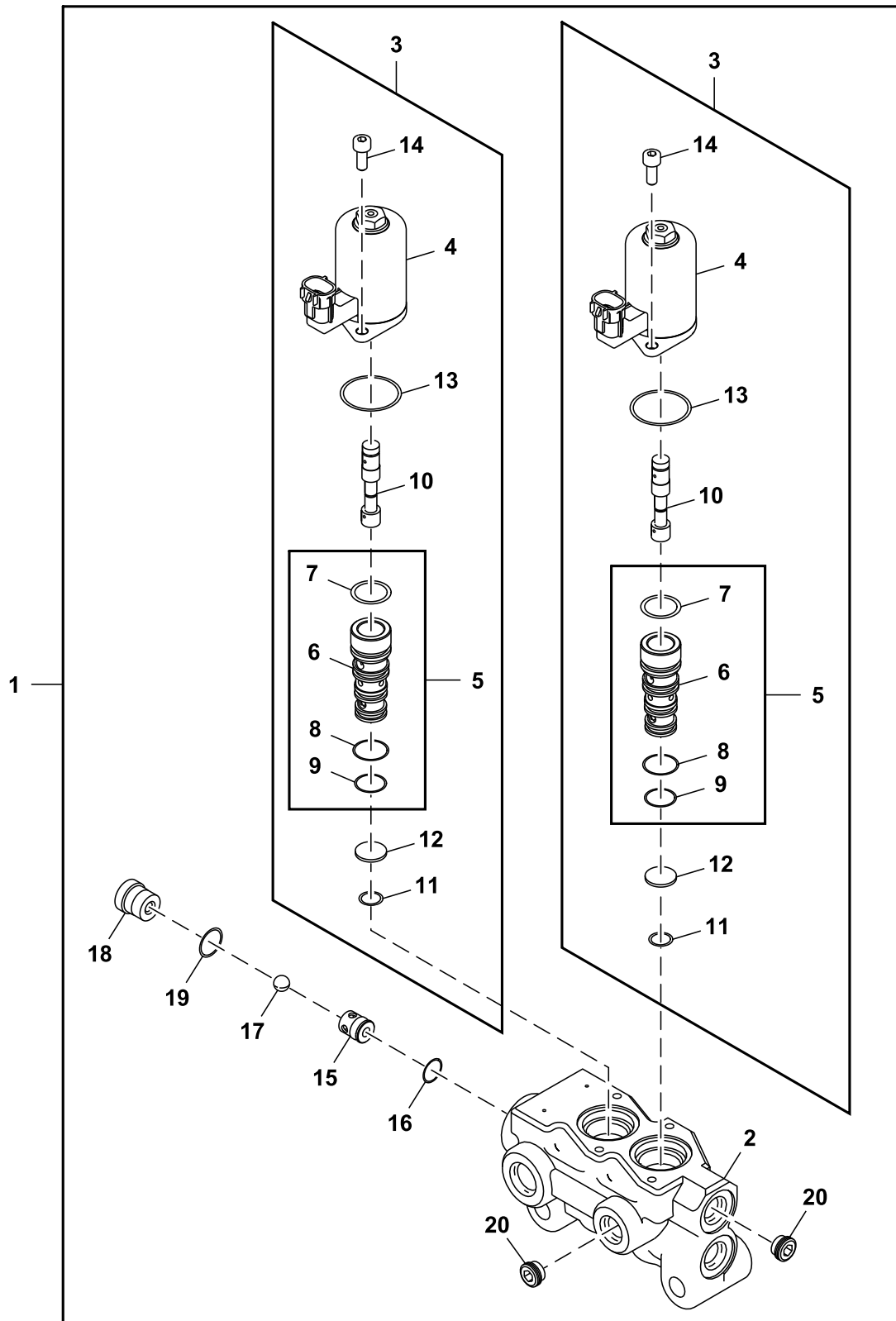
TX1109617

**33 Backhoe and Excavator
3362 Control and Load Holding Valves**

Key	Part No.	Part Name	Qty.	Serial No.	Remarks
1	FYB6000078	Solenoid Valve	1		
2	9314145	Solenoid Valve	3		
3	19M7600	Screw	2		M5 X 12, SUB FOR J780512
4	Solenoid	1		NSEP
5	4484114	O-Ring	1		
6	Spool	1		NSEP
7	Sleeve	1		NSEP
8	Sleeve	1		NSEP
9	4163873	O-Ring	1		SUB FOR 4484116
10	R99052	O-Ring	1		SUB FOR 4484118
11	4185600	O-Ring	1		
12	Plate	1		NSEP
13	4489678	Washer	1		
14	9228828	Plug	1		
15	9761179	Plug	3		
16	3097791	Plug	1		SUB FOR 9230458
17	957366	O-Ring	1		
18	Housing	1		NSEP
19	19M7600	Screw	2		M5 X 12, SUB FOR J780512
20	4484115	Plate	1		
21	4484114	O-Ring	1		
22	9275950	Sleeve	1		
23	9275950	Sleeve	1		SUB FOR 3110014
24	4163873	O-Ring	1		SUB FOR 4484116
25	R99052	O-Ring	1		SUB FOR 4484118
26	4185600	O-Ring	1		

Solenoid Valve Components, Two Spool

TX1171019 A.1



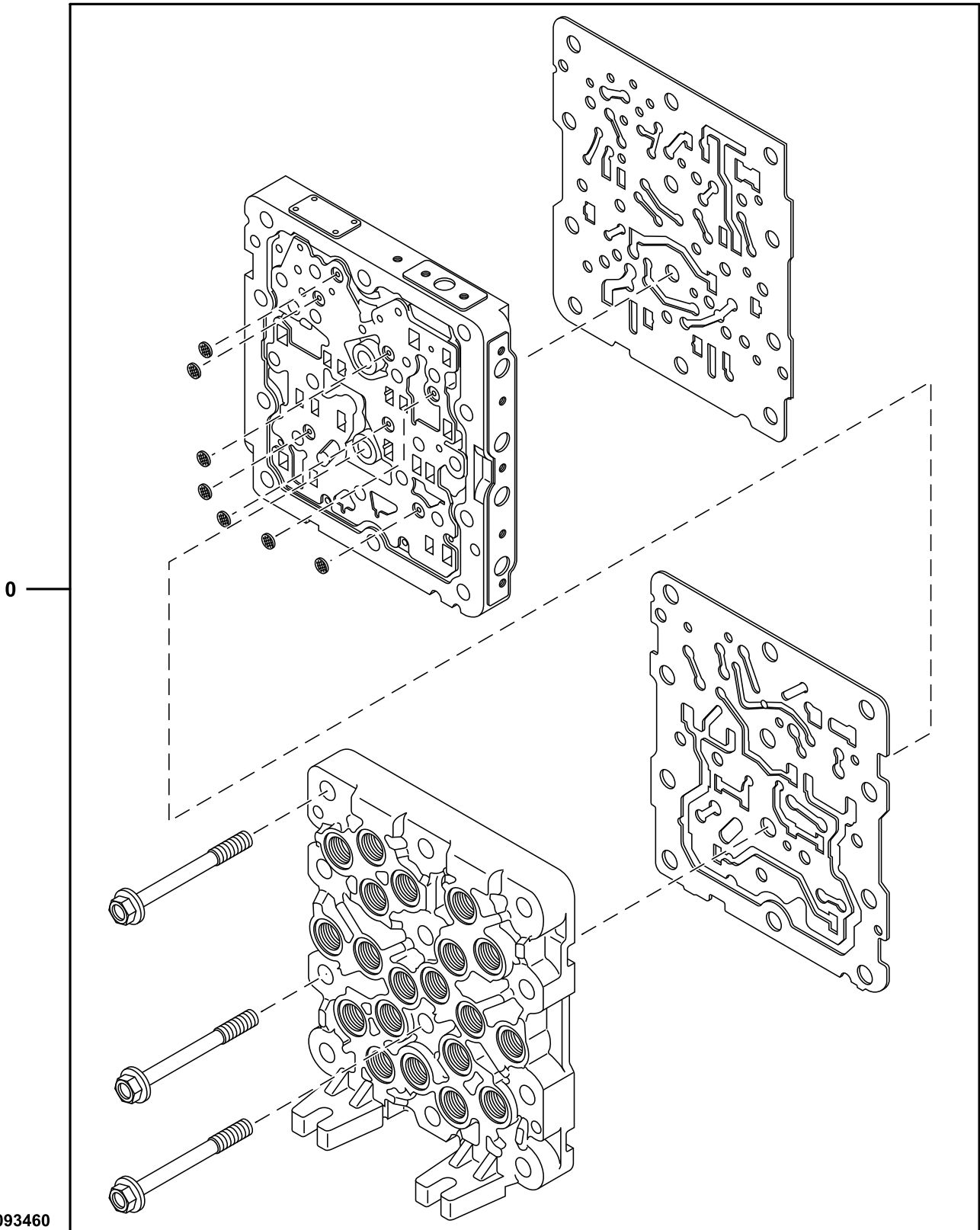
9316550_TX1171019

**33 Backhoe and Excavator
3362 Control and Load Holding Valves**

Key	Part No.	Part Name	Qty.	Serial No.	Remarks
1	9316550	Solenoid Valve	1		Two Spool Solenoid Valve
2	Housing	1		NSEP
3	9314145	Solenoid Valve	2		
4	Solenoid	1		NSEP
5	Sleeve	1		NSEP
6	Sleeve	1		NSEP
7	4163873	O-Ring	1		SUB FOR 4484116, AT153904 AND 0408411
8	R99052	O-Ring	1		SUB FOR 4484118 AND 408410
9	4185600	O-Ring	1		
10	Spool	1		NSEP
11	Lock Washer	1		NSEP
12	Plate	1		NSEP
13	4484114	O-Ring	1		
14	19M7600	Screw	2		M5 X 12, SUB FOR J780512
15	9772287	Sleeve	1		
16	CH11560	Packing	1		SUB FOR 939356
17	4613265	Ball	1		
18	4712839	Cap	1		
19	4453196	O-Ring	1		
20	9761179	Plug	2		

Pilot Signal Manifold, Housing and Gaskets

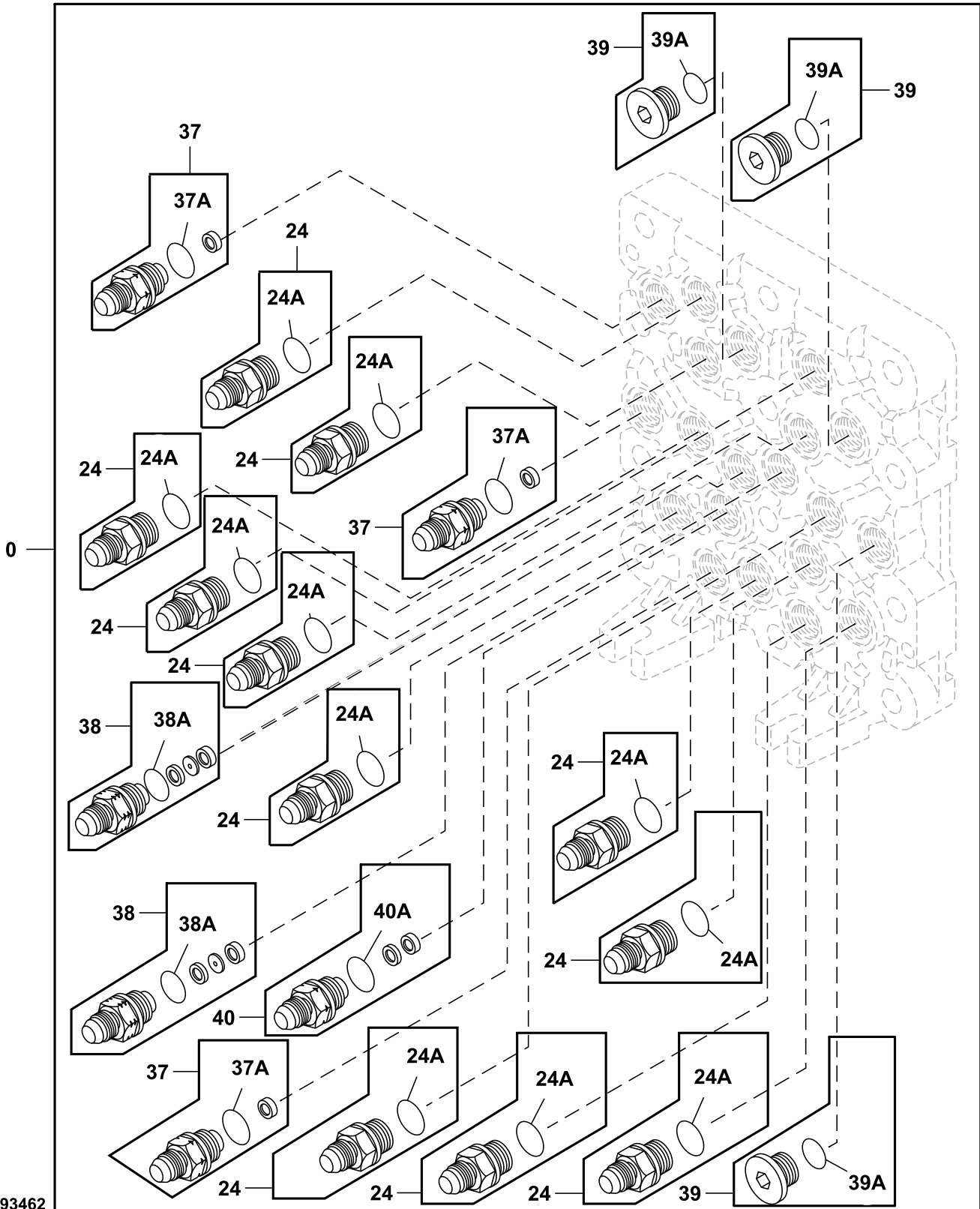
TX1093460 C.1



<i>Key</i>	<i>Part No.</i>	<i>Part Name</i>	<i>Qty.</i>	<i>Serial No.</i>	<i>Remarks</i>
0	4718274	Valve	1		SUB FOR 4645278; ALSO ORDER A852122, Pilot Signal Manifold, Additional Components On Separate Pages Not Illustrated
1	A852122	Adapter Fitting	1		

Pilot Signal Manifold, Pilot Controller Side

TX1093462 B.1

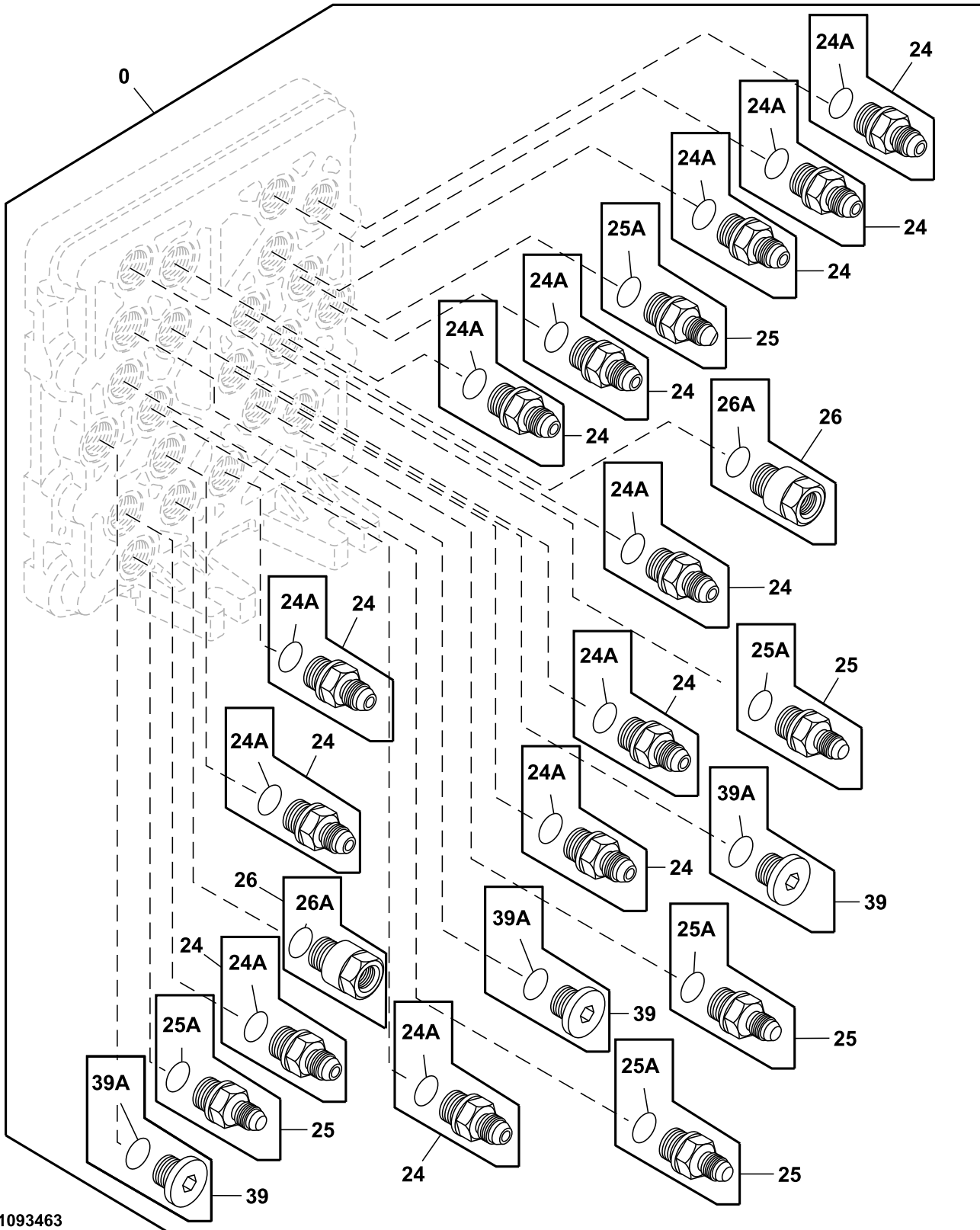


TX1093462

Key	Part No.	Part Name	Qty.	Serial No.	Remarks
0	4718274	Valve	1		Pilot Signal Manifold, Additional Components On Separate Pages, SUB FOR 4645278; ALSO ORDER A852122
1	A852122	Adapter Fitting	1		Not Illustrated
24	4451784	Adapter Fitting	11		SUB FOR TH4451784
24A	CH11570	O-Ring	1		SUB FOR TH4451787
37	4451787	Adapter Fitting	3		
37A	CH11570	O-Ring	1		SUB FOR TH4451788 OR 4451788
38	4482233	Adapter Fitting	2		
38A	CH11570	O-Ring	1		
39	4451789	Pipe Plug	3		SUB FOR TH4451789
39A	CH11570	O-Ring	1		
40	4654655	Adapter Fitting	1		
40A	CH11570	O-Ring	1		

Pilot Signal Manifold, Control Valve Side

TX1093463 B.1

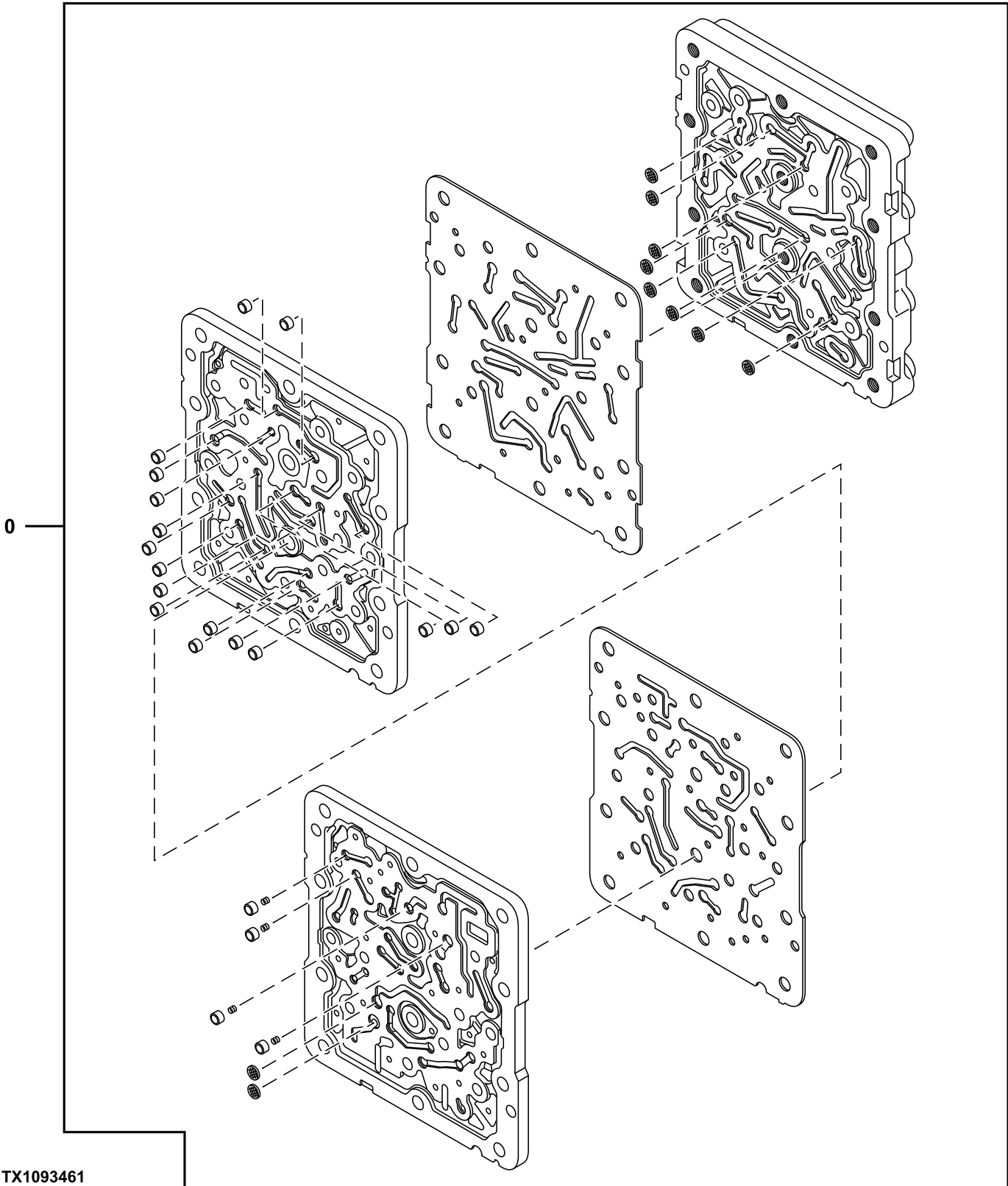


TX1093463

<i>Key</i>	<i>Part No.</i>	<i>Part Name</i>	<i>Qty.</i>	<i>Serial No.</i>	<i>Remarks</i>
0	4718274	Valve	1		Pilot Signal Manifold, Additional Components On Separate Pages, SUB FOR 4645278; ALSO ORDER A852122 Not Illustrated
1	A852122	Adapter Fitting	1		
24	4451784	Adapter Fitting	12		
24A	CH11570	O-Ring	1		SUB FOR 4509180
25	4451785	Adapter Fitting	5		
25A	CH11570	O-Ring	1		SUB FOR 4509180
26	4451786	Reducer	2		
26A	CH11570	O-Ring	1		SUB FOR 4509180
39	4451789	Pipe Plug	3		
39A	CH11570	O-Ring	1		SUB FOR 4509180

Pilot Signal Manifold, Valve Section

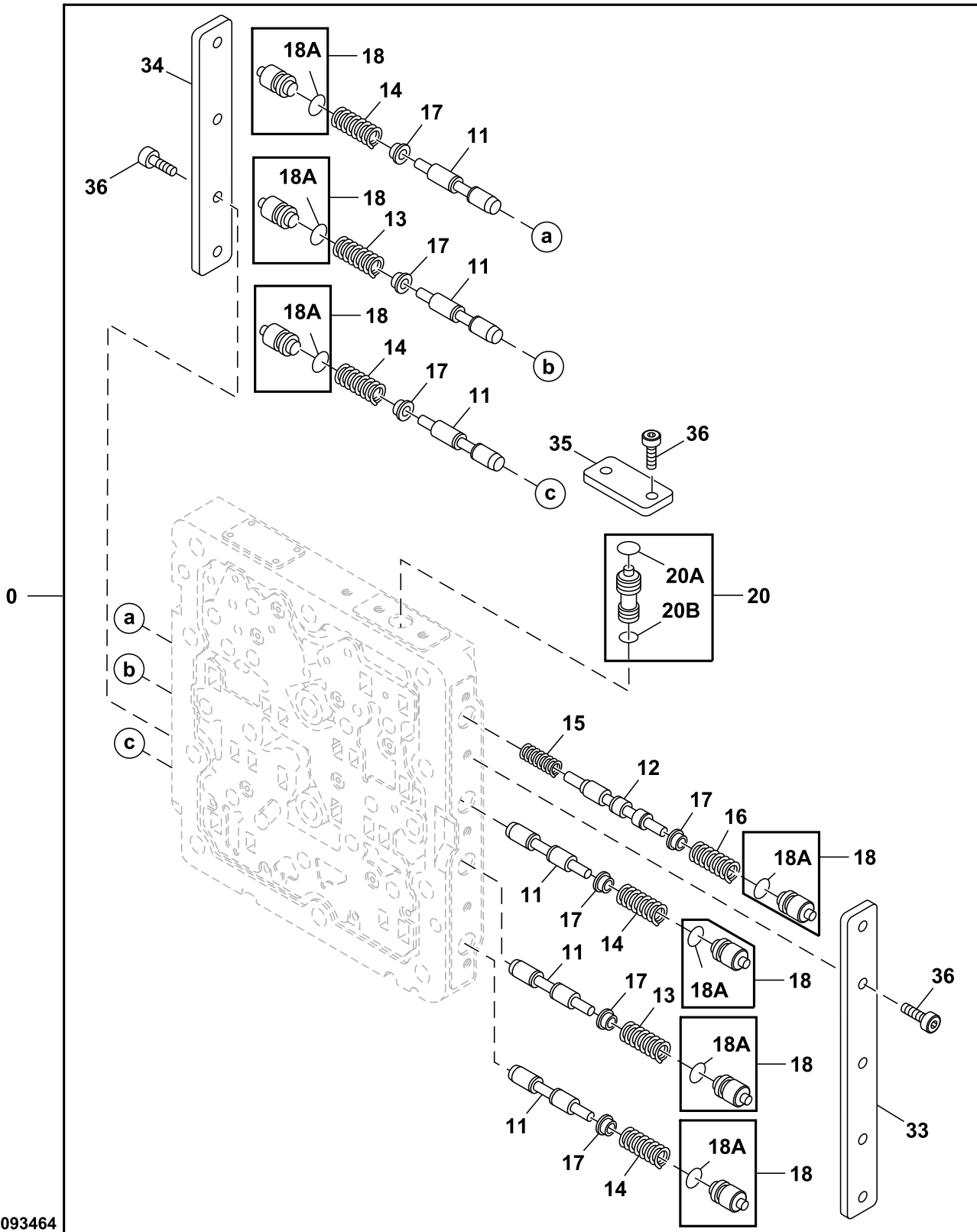
TX1093461 C.1



<i>Key</i>	<i>Part No.</i>	<i>Part Name</i>	<i>Qty.</i>	<i>Serial No.</i>	<i>Remarks</i>
0	4718274	Valve	1		SUB FOR 4645278; ALSO ORDER A852122, Pilot Signal Manifold, Additional Components On Separate Pages Not Illustrated
1	A852122	Adapter Fitting	1		

Pilot Signal Manifold Valves

TX1093464 D.1



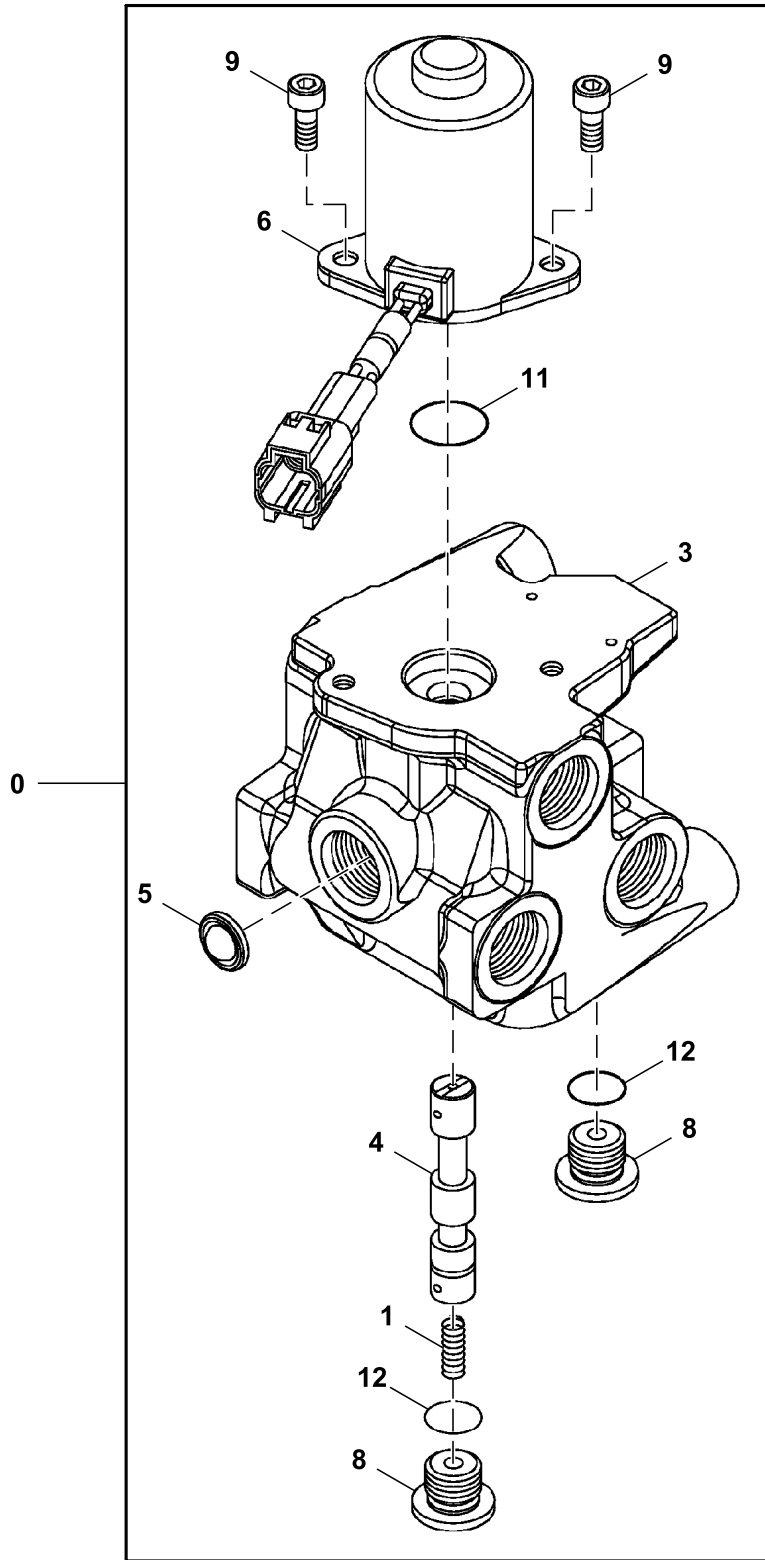
TX1093464

**33 Backhoe and Excavator
3362 Control and Load Holding Valves**

Key	Part No.	Part Name	Qty.	Serial No.	Remarks
0	4718274	Valve	1		Pilot Signal Manifold, Additional Components On Separate Pages, SUB FOR 4645278; ALSO ORDER A852122 Not Illustrated
1	A852122	Adapter Fitting	1		
11	4453819	Spool Valve	6		
12	4453820	Spool Valve	1		
13	0788703	Spring	2		
14	0788704	Spring	4		
15	0788705	Spring	1		
16	0788706	Spring	1		
17	0788707	Valve Seat	7		
18	4452647	Pipe Plug	7		
18A	CH11560	Packing	1		SUB FOR 4140436
20	4452648	Spool Valve	1		
20A	CH11560	Packing	1		SUB FOR 4140436
20B	CH10567	Packing	1		SUB FOR 992526
33	0788710	Plate	1		
34	0788711	Plate	1		
35	0788712	Plate	1		
36	0788713	Bolt	11		

Pilot Shutoff Solenoid Valve Components

TX1276268 A.1

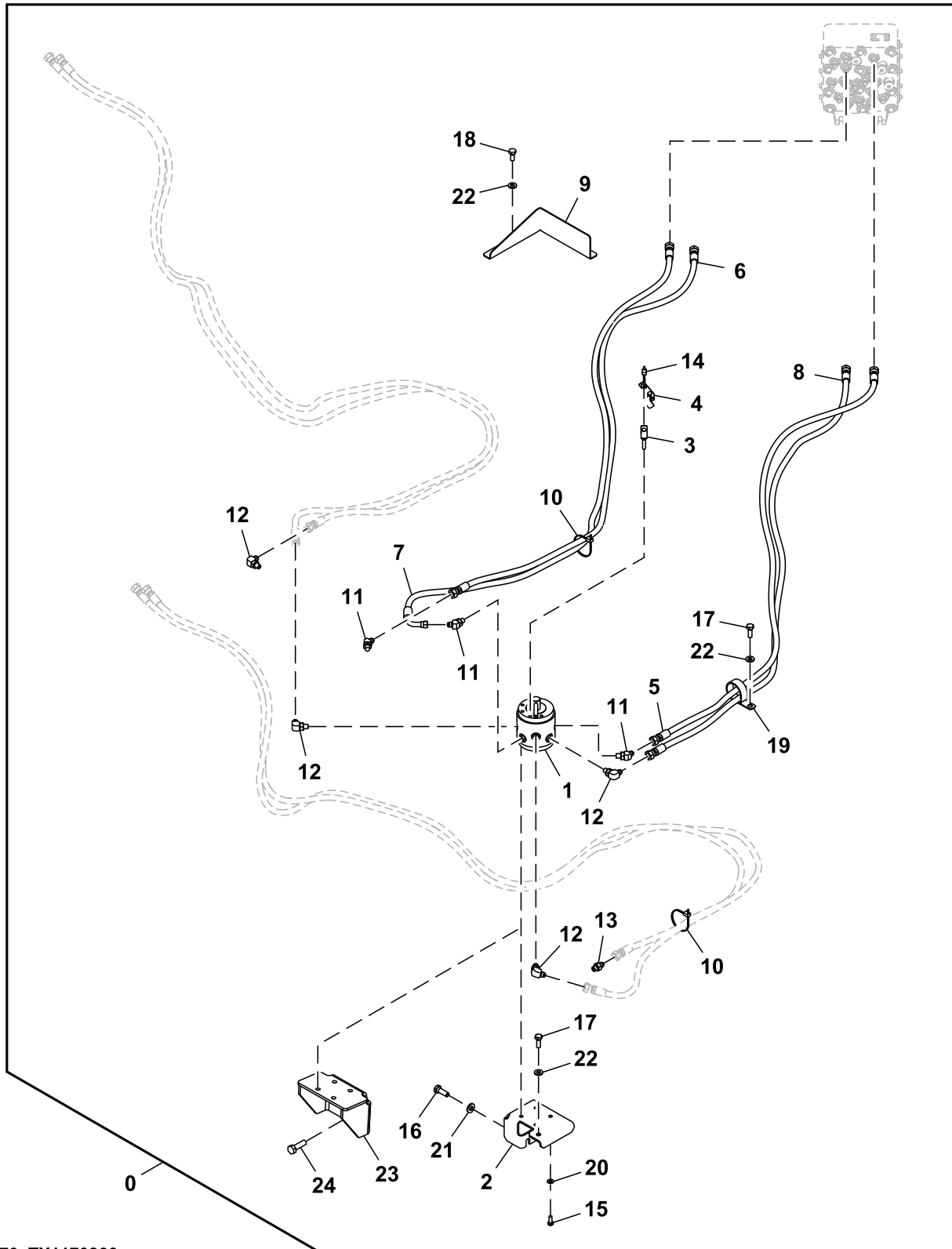


TX1276268

<i>Key</i>	<i>Part No.</i>	<i>Part Name</i>	<i>Qty.</i>	<i>Serial No.</i>	<i>Remarks</i>
0	4609630	Valve	1		Pilot Shutoff
1	0624904	Spring	1		
3	Housing	1		NSEP
4	Spool	1		NSEP
5	Filter	1		NSEP
6	0976504	Solenoid Hydraulic Valve	1		
8	0732608	Plug	2		
9	0794204	Bolt	2		
11	CH10570	O-Ring	1		SUB FOR 954495
12	957366	O-Ring	2		

Mechanical Pattern Changer Kit

TX1170866 B.2

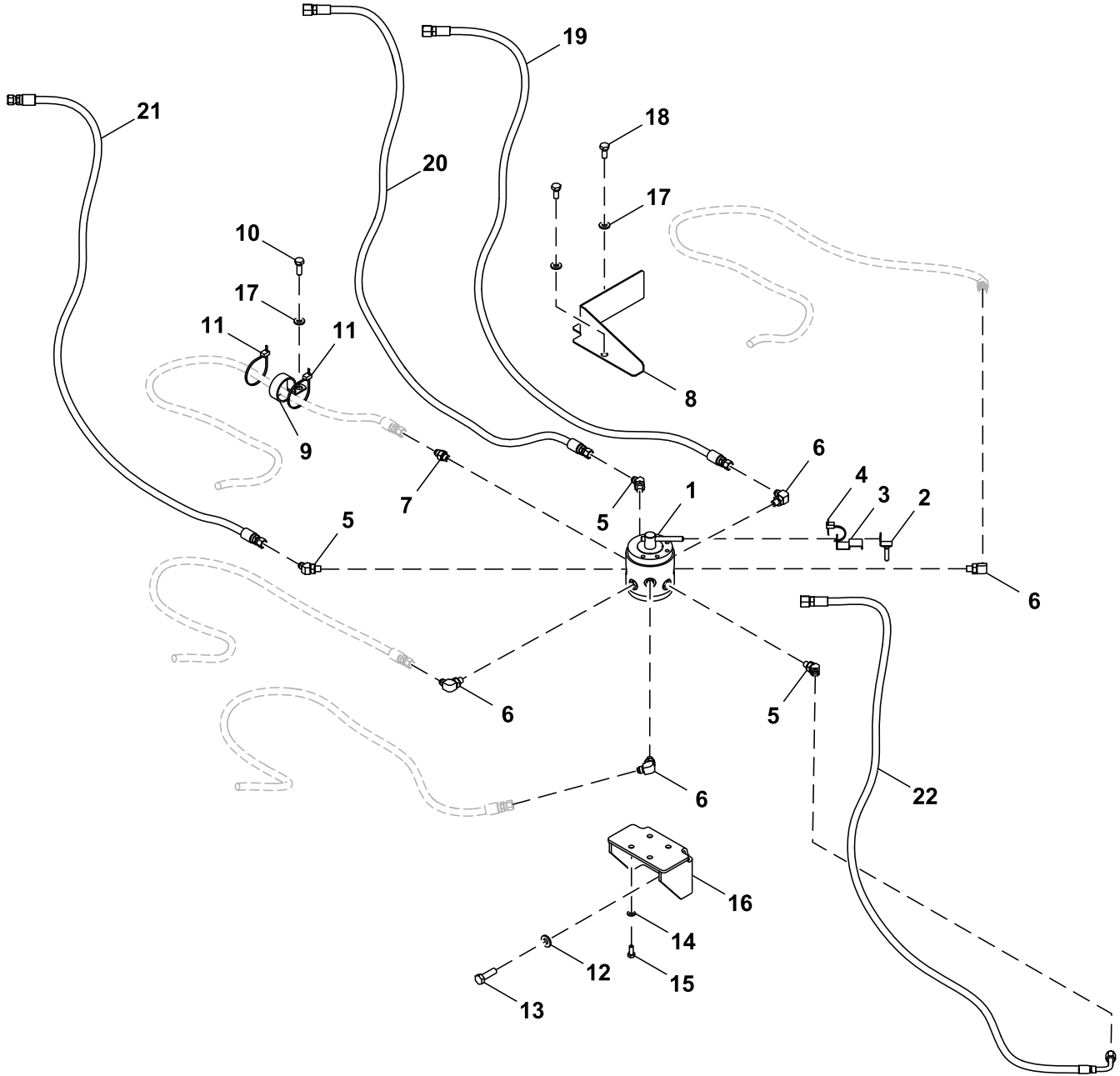


FF107370_TX1170866

Key	Part No.	Part Name	Qty.	Serial No.	Remarks
0	AT393163	Field Installation Kit	1		Whole Goods
1	4612930	Valve	1		SUB FOR 9272343, Rotary Valve, Components On Separate Page
2	FF501968	Bracket	1		
3	9767321	Bracket	1		
4	4665191	Bracket	1		
5	4663086	Hydraulic Hose	1		
6	4662477	Hydraulic Hose	1		
7	4663083	Hydraulic Hose	1		
8	4662479	Hydraulic Hose	1		
9	3109199	Bracket	1		
10	DH400240	Tie Band	2		
11	A852223	Elbow Fitting	3		
12	A852323	Elbow Fitting	4		
13	A852123	Adapter Fitting	1		
14	H77698	Tie Band	1		SUB FOR 4055311
15	19M7881	Screw	4		M8 X 20, SUB FOR J900820
16	19M7403	Cap Screw	2		M12 X 35, SUB FOR J901235
17	19M7662	Cap Screw	2		M10 X 30, SUB FOR J901030
18	19M7402	Cap Screw	2		M10 X 25, SUB FOR J901025
19	4204136	Clip	1		
20	24M7055	Washer	4		8.400 X 16 X 1.600 mm, SUB FOR A590108
21	DH400704	Washer	2		
22	24M7346	Washer	4		11 X 20 X 2 mm, SUB FOR DH400703
23	FF510126	Bracket	1		
24	19M7403	Cap Screw	1		M12 X 35, SUB FOR J901235

Pattern Changer (- 340456)

TX118992 A.1

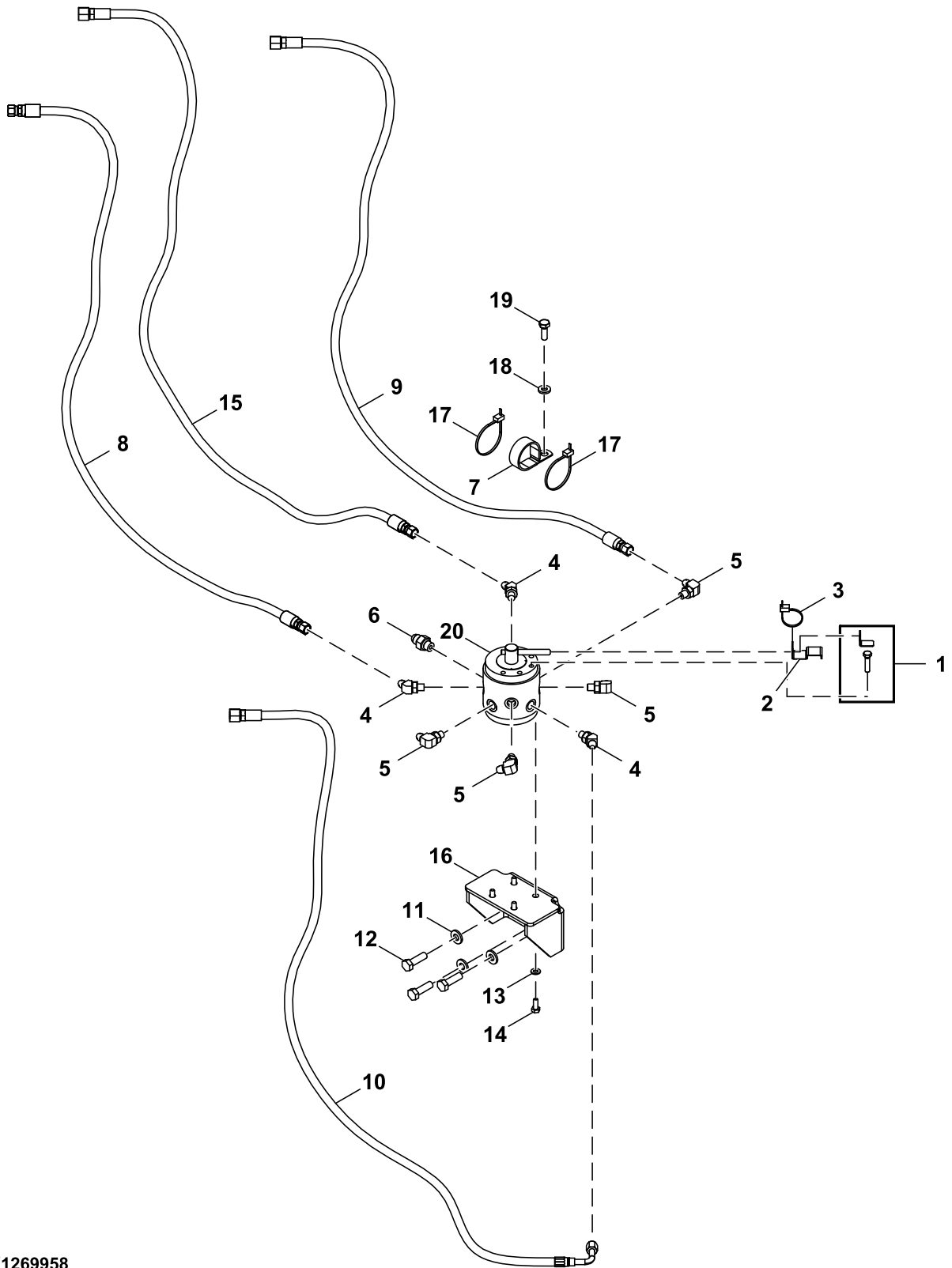


FF531713_TX118992

Key	Part No.	Part Name	Qty.	Serial No.	Remarks
1	4612930	Valve	1		Rotary Valve, Components On Separate Page
2	9767321	Bracket	1		
3	4665191	Bracket	1		
4	H77698	Tie Band	1		SUB FOR 4055311
5	A852223	Elbow Fitting	3		
6	A852323	Elbow Fitting	4		
7	A852123	Adapter Fitting	1		
8	3109199	Bracket	1		
9	N198631	Clamp	1		SUB FOR 4190265
10	19M7662	Cap Screw	1		M10 X 30, SUB FOR J901030
11	DH400240	Tie Band	2		
12	DH400704	Washer	3		
13	19M7493	Cap Screw	3		M12 X 40, SUB FOR J901240 8.400 X 16 X 1.600 mm, SUB FOR A590108
14	24M7055	Washer	4		
15	19M7881	Screw	4		M8 X 20, SUB FOR J900820
16	FF510126	Bracket	1		
17	24M7346	Washer	3		11 X 20 X 2 mm, SUB FOR DH400703 M10 X 25, SUB FOR J901025
18	19M7402	Cap Screw	2		
19	4662479	Hydraulic Hose	1		
20	4663086	Hydraulic Hose	1		
21	4662477	Hydraulic Hose	1		
22	4663083	Hydraulic Hose	1		

Pattern Changer (340457 -)

TX1269958 A.1

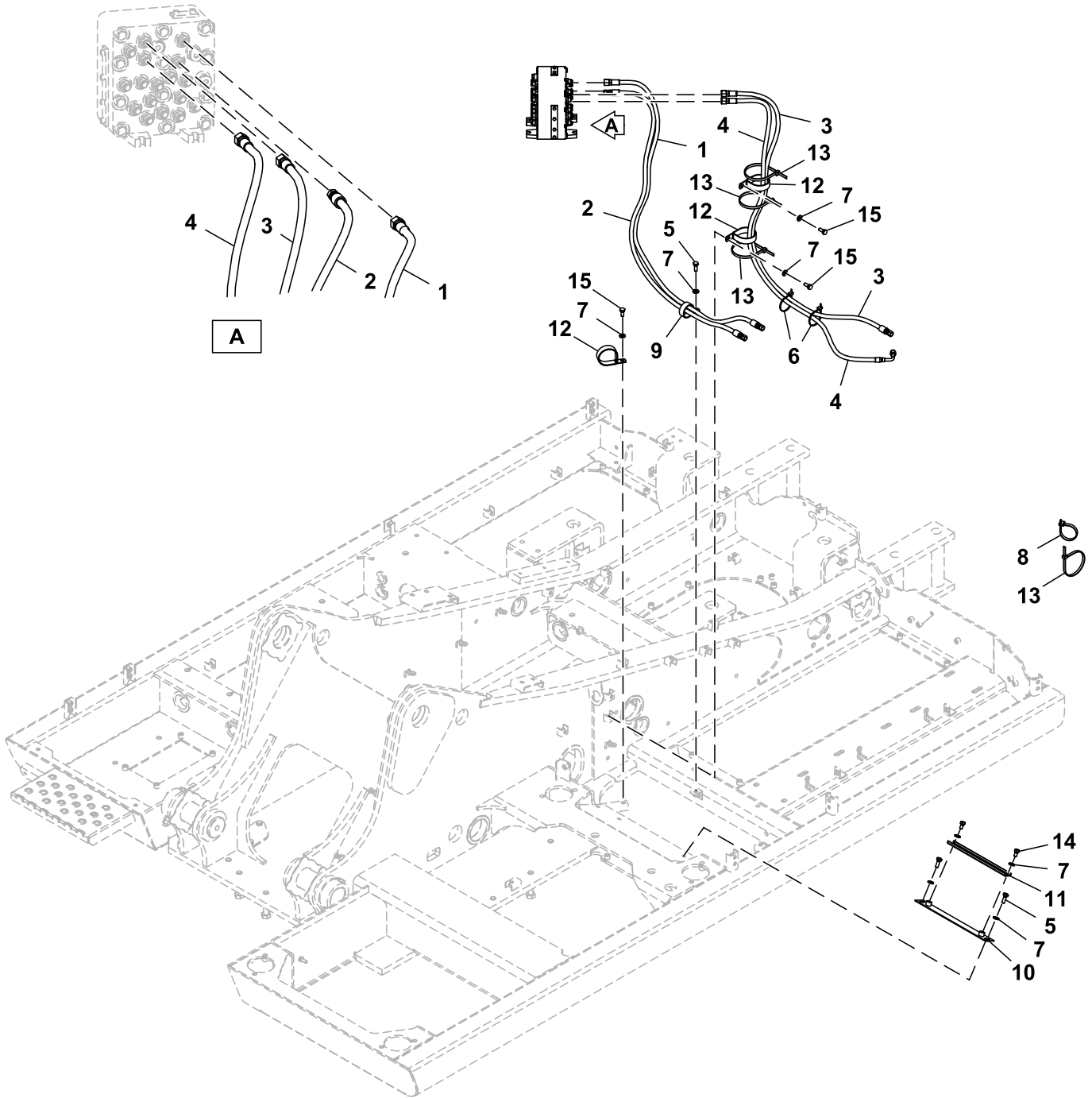


FF550661_TX1269958

Key	Part No.	Part Name	Qty.	Serial No.	Remarks
1	9767321	Bracket	1		
2	4665191	Bracket	1		
3	4055311	Clip	1		
4	A852223	Elbow Fitting	3		
5	A852323	Elbow Fitting	4		
6	A852123	Adapter Fitting	1		
7	N198631	Clamp	1		SUB FOR 4190265
8	4662477	Hydraulic Hose	1		
9	4662479	Hydraulic Hose	1		
10	4663083	Hydraulic Hose	1		
11	DH400704	Washer	3		
12	19M7493	Cap Screw	3		M12 X 40, SUB FOR J901240
13	24M7055	Washer	4		8.400 X 16 X 1.600 mm, SUB FOR A590108
14	19M7881	Screw	4		M8 X 20, SUB FOR J900820
15	4663086	Hydraulic Hose	1		
16	FF510126	Bracket	1		
17	DH400240	Tie Band	2		
18	24M7346	Washer	1		11 X 20 X 2 mm, SUB FOR DH400703
19	19M7662	Cap Screw	1		M10 X 30, SUB FOR J901030
20	4612930	Valve	1		SUB FOR 9272343

Pattern Changer Hoses (340457 -)

TX1250946 A.1

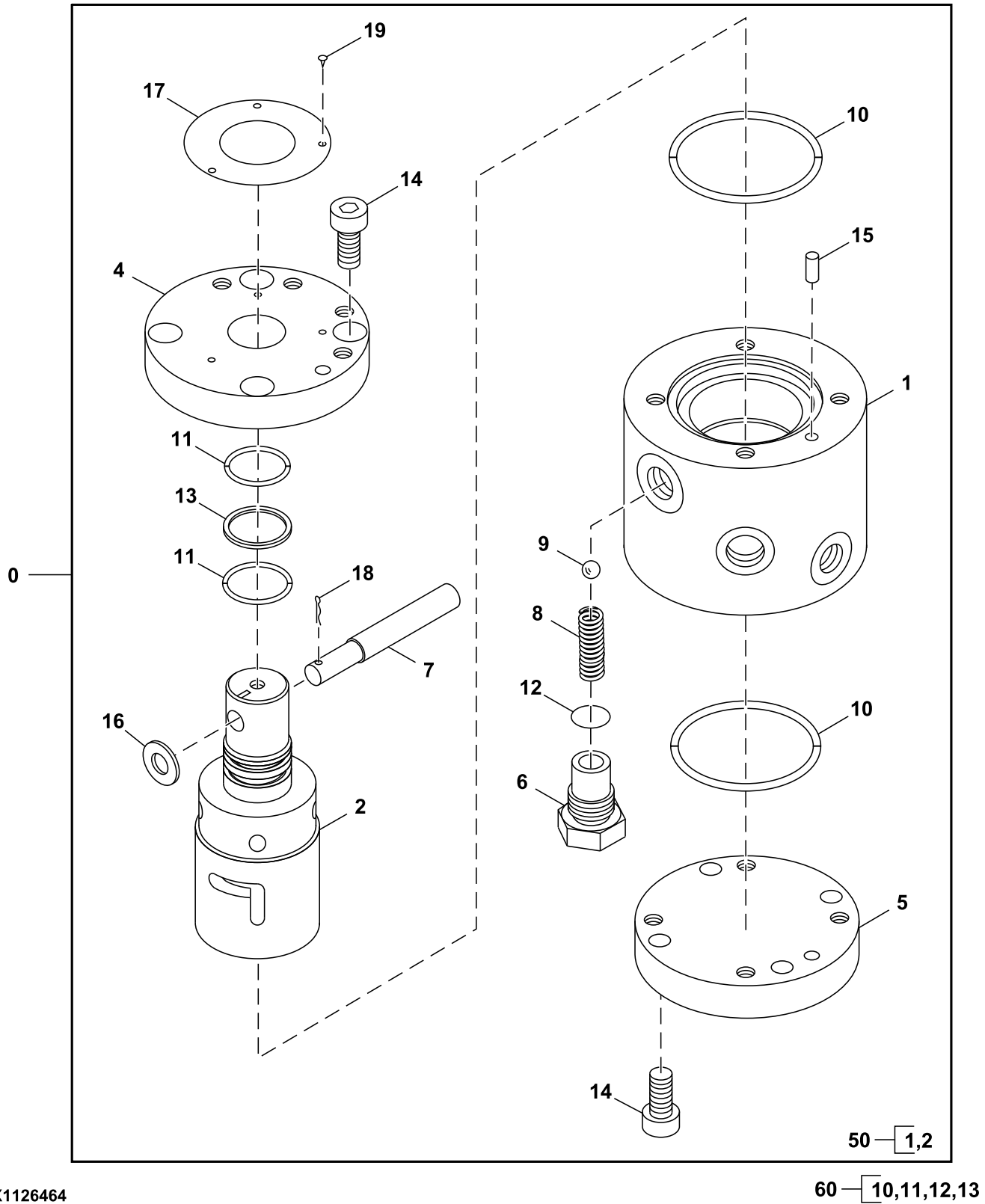


FF551146_TX1250946

<i>Key</i>	<i>Part No.</i>	<i>Part Name</i>	<i>Qty.</i>	<i>Serial No.</i>	<i>Remarks</i>
1	4663086	Hydraulic Hose	1		
2	4662477	Hydraulic Hose	1		
3	4662479	Hydraulic Hose	1		
4	4663083	Hydraulic Hose	1		
5	19M7662	Cap Screw	3		M10 X 30, SUB FOR J901030
6	DH400240	Tie Band	2		
7	24M7346	Washer	8		11 X 20 X 2 mm, SUB FOR DH400703
8	H224073	Tie Band	1		
9	N198631	Clamp	1		SUB FOR 4190265
10	9765409	Bracket	1		
11	4341877	Channel	1		
12	4204136	Clip	3		
13	H77698	Tie Band	4		SUB FOR 4121859
14	19M7938	Cap Screw	2		M10 X 20, SUB FOR J901020
15	19M7402	Cap Screw	3		M10 X 25, SUB FOR J901025

Rotary Valve Components

TX1126464 D.1



TX1126464

**33 Backhoe and Excavator
3362 Control and Load Holding Valves**

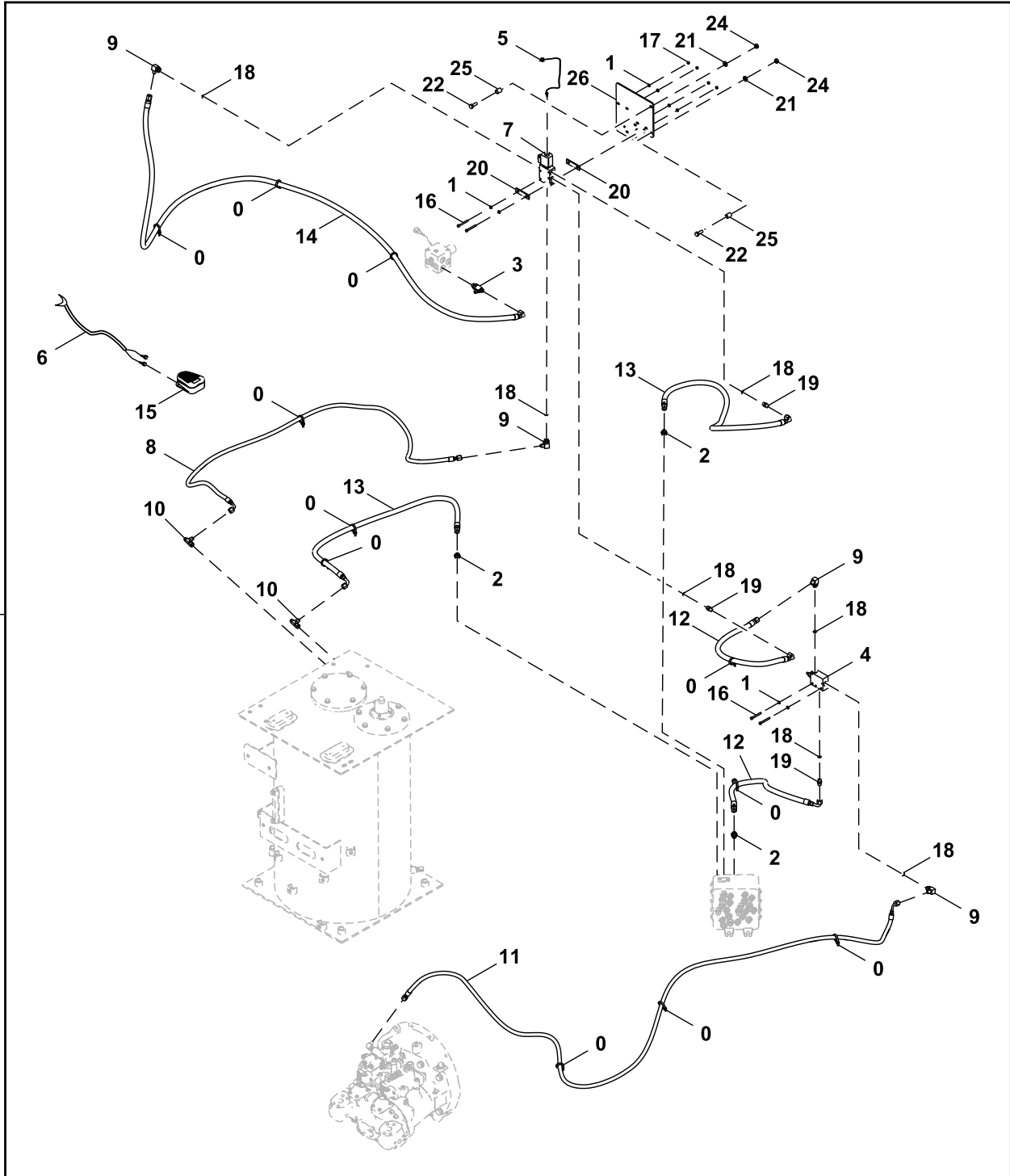
Key	Part No.	Part Name	Qty.	Serial No.	Remarks
0	4612930	Valve	1		Rotary Valve
1	Housing	1		NSEP
2	Spindle	1		NSEP
4	4479766	Cover	1		
5	4479767	Cover	1		
6	4479768	Plug	1		
7	FYD00004981	Handle	1		
8	4449860	Spring	1		
9	4449861	Ball	1		
10	A810060	Packing	2		
11	985582	O-Ring	2		
12	CH10569	Packing	1		SUB FOR 962567
13	4040365	Back-Up Ring	1		
14	19M7660	Screw	8		M8 X 20, SUB FOR J780820
15	4051267	Spring Pin	1		
16	24M7055	Washer	1		8.400 X 16 X 1.600 mm, SUB FOR A590108
17	Plate	1		NSEP
18	H132922	Cotter Pin	1		SUB FOR 4022697
19	Rivet	3		NSEP
50	4478298	Valve	1		Valve Body
60	4479774	Seal Kit	1		

Electric Solenoid Valve Kit, 1 Way

TX1161744 B.1



90



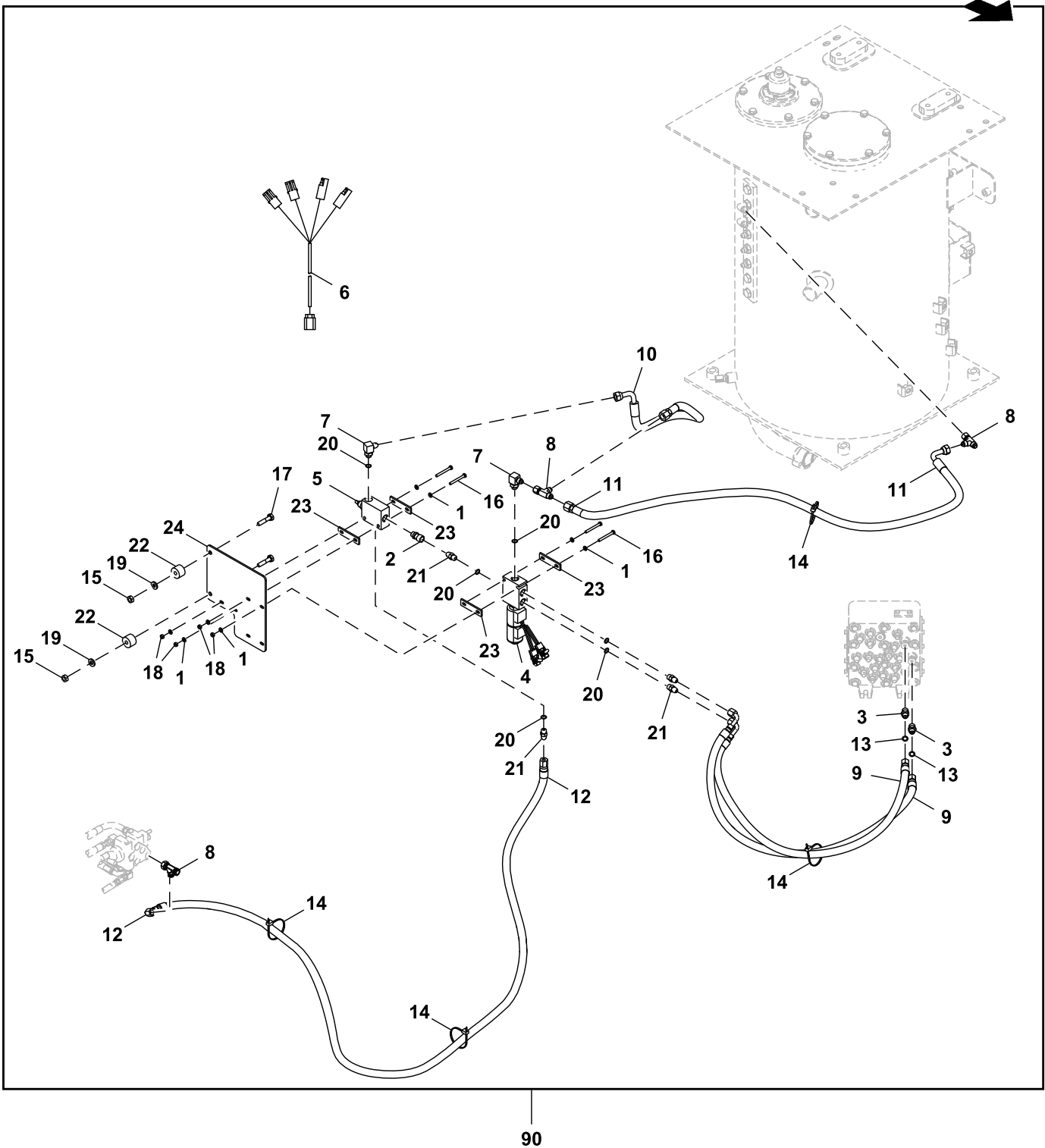
AT446155_TX1161744

**33 Backhoe and Excavator
3362 Control and Load Holding Valves**

Key	Part No.	Part Name	Qty.	Serial No.	Remarks
0	H77698	Tie Band	11		SUB FOR 4055311
1	24M7054	Washer	8		6.400 X 12 X 1.600 mm, SUB FOR A590106
2	A852133	Adapter Fitting	3		
3	A852433	Tee Fitting	1		
4	AT186623	Hydraulic Pressure Valve	1		Pressure Reducing
5	AT191297	Wiring Harness	1		Jumper Harness
6	AT457430	Wiring Harness	1		Foot Pedal, SUB FOR AT196588
7	AT306723	Elec.Proportional Valve	1		
8	AT331768	Hydraulic Hose	1		Fabricate
9	AT35121	Elbow Fitting	4		
10	AT36921	Tee Fitting	2		
11	AT397446	Hydraulic Hose	1		Fabricate
12	AT71082	Hydraulic Hose	2		Fabricate
13	AT71732	Hydraulic Hose	2		Fabricate
14	AT78124	Hydraulic Hose	1		Fabricate
15	AT82210	Switch	1		Foot Pedal
16	19M7529	Cap Screw	4		M6 X 55, SUB FOR J900655
17	14M7027	Nut	4		M6, SUB FOR J950006
18	R26448	O-Ring	7		
19	R27212	Fitting	3		
20	T202379	Strap	2		
21	24M7346	Washer	2		11 X 20 X 2 mm, SUB FOR DH400703
22	19M7742	Cap Screw	2		M10 X 65, All Other Applications, SUB FOR J901065
	19M7572	Cap Screw	2		M10 X 45, 210G Only, SUB FOR J901045
24	14M7274	Nut	2		M10, SUB FOR J950010
25	28H1527	Spacer	2		0.493" X 0.675" X 1-3/8", All Other Applications
	FF100290	Spacer	2		210G Only
26	T353784	Plate	1		
90	AT446155	Field Installation Kit	1		Whole Goods

Electric Solenoid Valve Kit, 2 Way

TX1160022 B.1



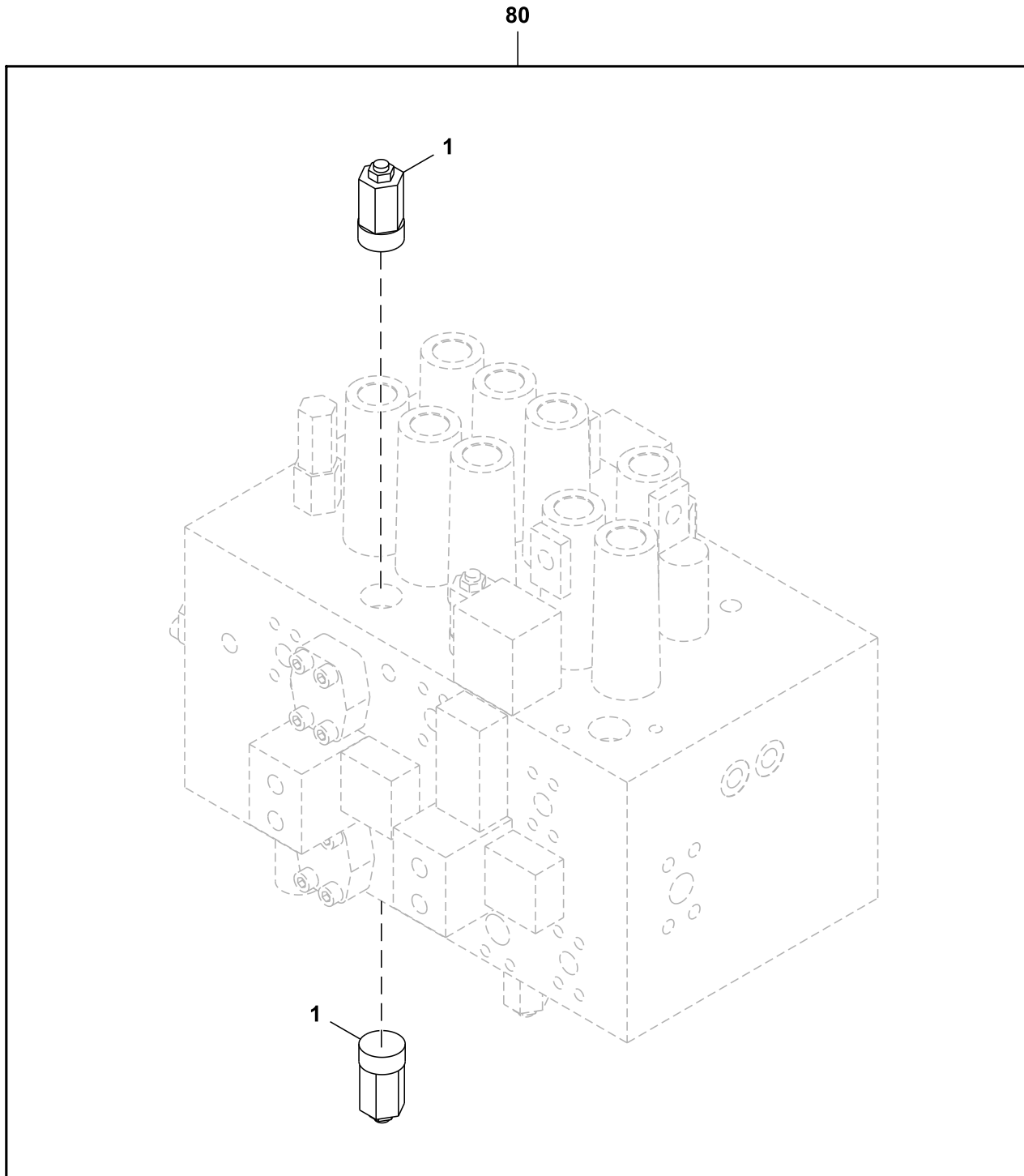
AT445467_TX1160022

**33 Backhoe and Excavator
3362 Control and Load Holding Valves**

Key	Part No.	Part Name	Qty.	Serial No.	Remarks
1	24M7054	Washer	8		6.400 X 12 X 1.600 mm, SUB FOR A590106
2	AE52955	Adapter Fitting	1		
3	AT131445	Adapter Fitting	2		
4	AT180585	Solenoid Valve	1		Electric 2 Way
5	AT186623	Hydraulic Pressure Valve	1		Pressure Reducing
6	AT331104	Wiring Harness	1		Electric Solenoid Valve, INCLUDES 2 AR94101
	AR94101	Diode	2		30A, Not Illustrated
7	AT35121	Elbow Fitting	2		
8	AT36921	Tee Fitting	3		
9	AT68901	Hydraulic Hose	2		Fabricate
10	AT71082	Hydraulic Hose	1		Fabricate
11	AT71732	Hydraulic Hose	1		Fabricate
12	AT78124	Hydraulic Hose	1		Fabricate
13	CH11570	O-Ring	2		
14	DH400240	Tie Band	4		
15	24M7346	Washer	2		11 X 20 X 2 mm, SUB FOR DH400703
16	19M7529	Cap Screw	4		M6 X 55, SUB FOR J900655
17	19M7742	Cap Screw	2		M10 X 65, SUB FOR J901065
18	14M7027	Nut	4		M6, SUB FOR J950006
19	14M7274	Nut	2		M10, SUB FOR J950010
20	R26448	O-Ring	6		
21	R27212	Fitting	4		
22	28H1527	Spacer	2		0.493" X 0.675" X 1-3/8"
23	T202379	Strap	4		
24	T353784	Plate	1		
90	AT445467	Field Installation Kit	1		Whole Goods

Auxiliary Pressure Relief Valves

9150780_TX1091866 B.1

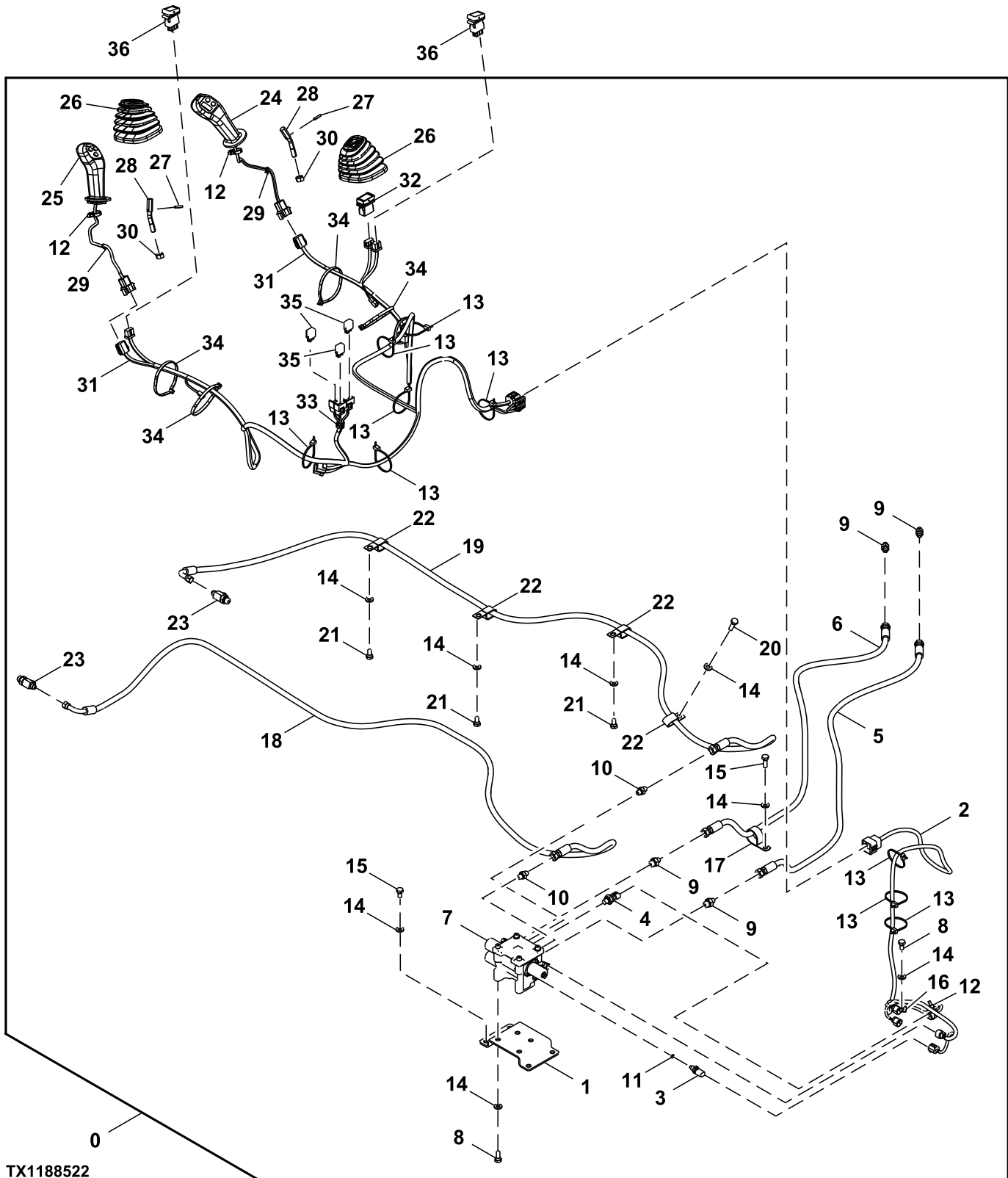


9150780_TX1091866

Key	Part No.	Part Name	Qty.	Serial No.	Remarks
1	4309832 U12547U	Valve O-Ring	2 2		SUB FOR 9150780, INCLUDES (2) U12547U
80	AT390761	Field Installation Kit	1		2.42 m, Whole Goods, Hi-Flow Auxiliary Lines, Standard Arm, Additional Components On Separate Pages
	AT390760	Field Installation Kit	1		2.91 m, Whole Goods, Hi-Flow Auxiliary Lines, Long Arm, Additional Components On Separate Pages

Auxiliary Function Lever and Lines

TX1188522 A.1



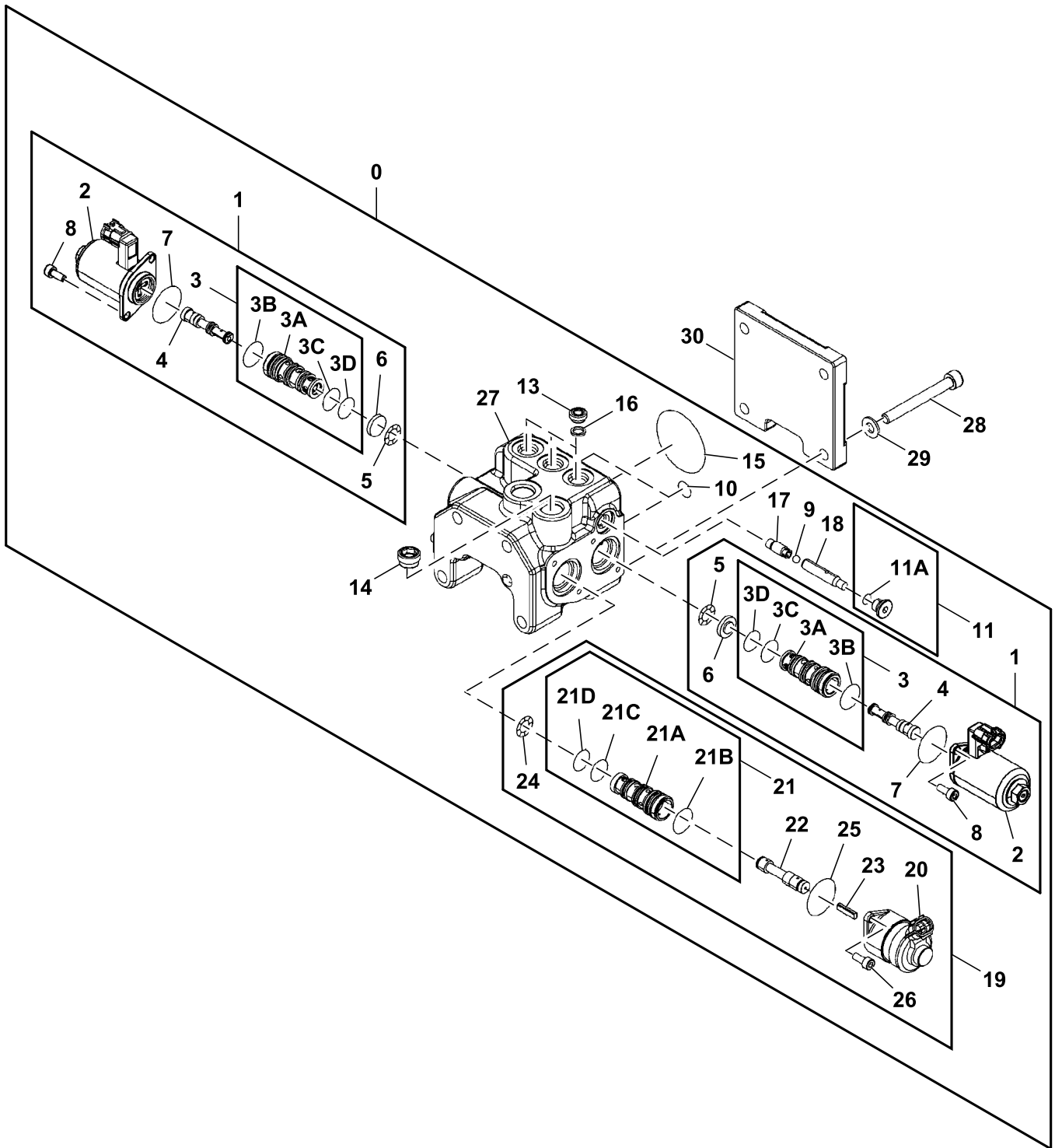
TX1188522

**33 Backhoe and Excavator
3362 Control and Load Holding Valves**

Key	Part No.	Part Name	Qty.	Serial No.	Remarks
0	AT458646	Field Installation Kit	1		Whole Goods
1	FYA00004580	Bracket	1		
2	FYA00003354	Wiring Harness	1		Auxiliary Function Lever, Body
3	4333200	Sensor	1		Temperature
4	4436535	Sensor	1		Pressure
5	FF532460	Hydraulic Hose	1		
6	FF532461	Hydraulic Hose	1		
7	FYB60001070	Solenoid Valve	1		SUB FOR FYB60000150, Components On Separate Page
8	19M7402	Cap Screw	5		M10 X 25, SUB FOR J901025
9	A852123	Adapter Fitting	4		
10	A852133	Adapter Fitting	2		
11	4506320	O-Ring	1		
12	H77698	Tie Band	3		SUB FOR 4055311
13	DH400240	Tie Band	9		
14	24M7346	Washer	14		11 X 20 X 2 mm, SUB FOR DH400703
15	19M7662	Cap Screw	5		M10 X 30, SUB FOR J901030
16	T28949	Clamp	1		SUB FOR 4190273
17	4193848	Clip	1		SUB FOR 4190291
18	FF532472	Hydraulic Hose	1		
19	FF532473	Hydraulic Hose	1		
20	19M7550	Cap Screw	1		M10 X 35, SUB FOR J901035
21	19M7938	Cap Screw	3		M10 X 20, SUB FOR J901020
22	T32854	Clamp	4		SUB FOR 4190282
23	A852433	Tee Fitting	2		
24	FYA00002700	Grip	1		Right
25	FYA00002710	Grip	1		Left
26	2060151	Boot	2		
27	4034733	Spring Pin	2		
28	4728520	Shaft	2		
29	H77698	Tie Band	2		SUB FOR 4300351
30	14M7275	Nut	2		M12, SUB FOR J950012
31	FYA00034550	Wiring Harness	1		Auxiliary Function Lever, Cab
32	FYA00003030	Switch	1		Auxiliary Function Lever
33	4692542	Clip	1		
34	H77698	Tie Band	4		SUB FOR 4121859
35	4436534	Relay	3		Left/Right On/Off Switch
36	4651295	Switch	2		Left/Right Enable Switch
37	FF100431	Isolator	1		

Solenoid Valve Components, Auxiliary Function

TX1184517 B.1



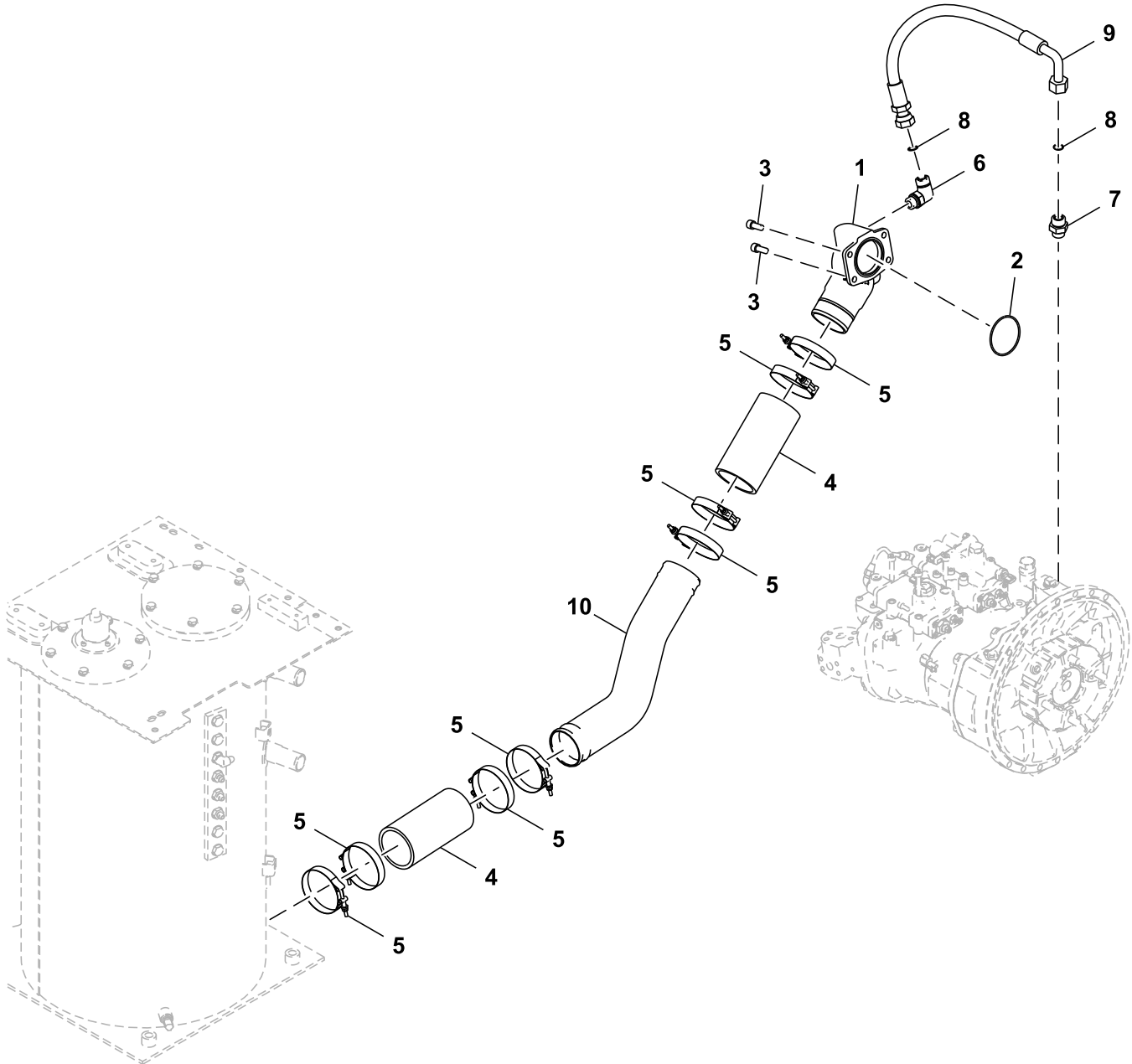
TX1184517

**33 Backhoe and Excavator
3362 Control and Load Holding Valves**

Key	Part No.	Part Name	Qty.	Serial No.	Remarks
0	FYB60001070	Solenoid Valve	1		Auxiliary Functional Solenoid Valve, SUB FOR FYB60000150
1	9314145	Solenoid Valve	2		
2	Solenoid	1		NLA
3	Sleeve	1		NLA
3A	Sleeve	1		NLA
3B	4163873	O-Ring	1		SUB FOR 4484116
3C	R99052	O-Ring	1		SUB FOR 4484118
3D	4185600	O-Ring	1		
4	Spool	1		NLA
5	4489678	Washer	1		
6	Plate	1		NLA
7	4484114	O-Ring	1		
8	19M7600	Screw	2		M5 X 12, SUB FOR J780512
9	4602182	Ball	1		
10	CH11560	Packing	2		SUB FOR 939356
11	9134109	Drain Plug	1		SUB FOR 9089484
11A	4506408	O-Ring	1		
13	9761179	Plug	3		
14	9228828	Plug	1		
15	CH11436	O-Ring	1		SUB FOR A810050
16	4666096	Seal	3		
17	4654403	Piston	1		
18	4654404	Piston	1		
19	FYB60000134	Valve	1		Solenoid
20	Solenoid	1		NLA
21	Sleeve	1		NLA
21A	Sleeve	1		NLA
21B	4163873	O-Ring	1		SUB FOR 4484116
21C	R99052	O-Ring	1		SUB FOR 4484118
21D	4185600	O-Ring	1		
22	Spool	1		NLA
23	Rod	1		NLA
24	Washer	1		NLA
25	4484114	O-Ring	1		
26	T111645	Screw	2		SUB FOR M340513
27	Housing	1		NLA
28	19M8735	Screw	4		M8 X 30, SUB FOR J780830
29	4669080	Washer	4		
30	3107707	End Plate	1		

Suction Lines

TX1186432 A.1

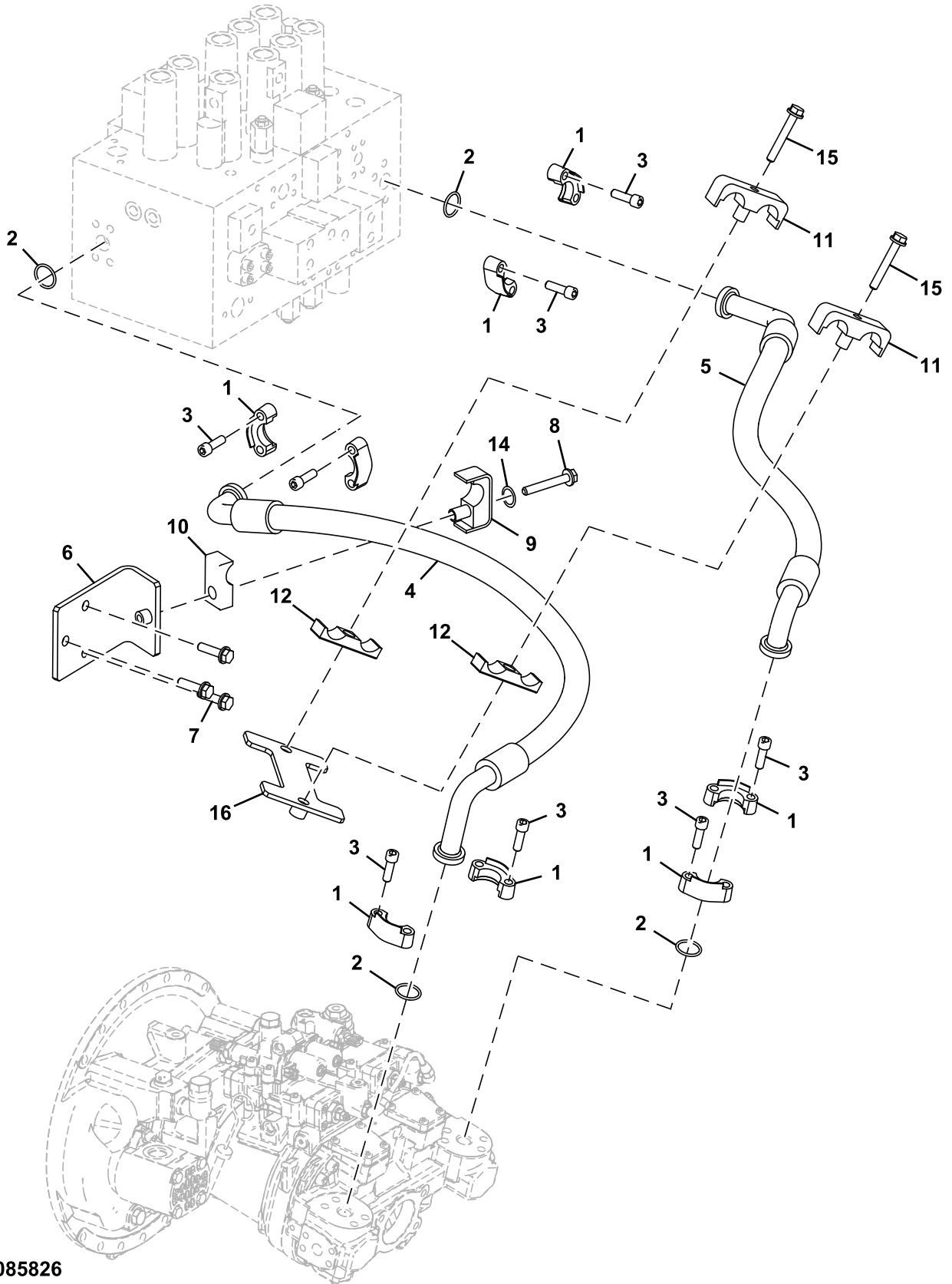


FF531341_TX1186432

Key	Part No.	Part Name	Qty.	Serial No.	Remarks
1	2052673	Manifold	1		
2	A811085	O-Ring	1		
3	19M7988	Screw	4		M12 X 30, SUB FOR J781230
4	DH401248	Hose	2		
5	AT56658	Hose Clamp	8		SUB FOR 4283535
6	A853366	Elbow Fitting	1		
7	A853166	Adapter Fitting	1		INCLUDES AT318035
	AT318035	O-Ring	1		SUB FOR 4506424
8	T77858	O-Ring	2		SUB FOR 4187308
9	4644625	Hydraulic Hose	1		
10	FF531342	Pipe	1		

Delivery Lines

TX1085826 D.1

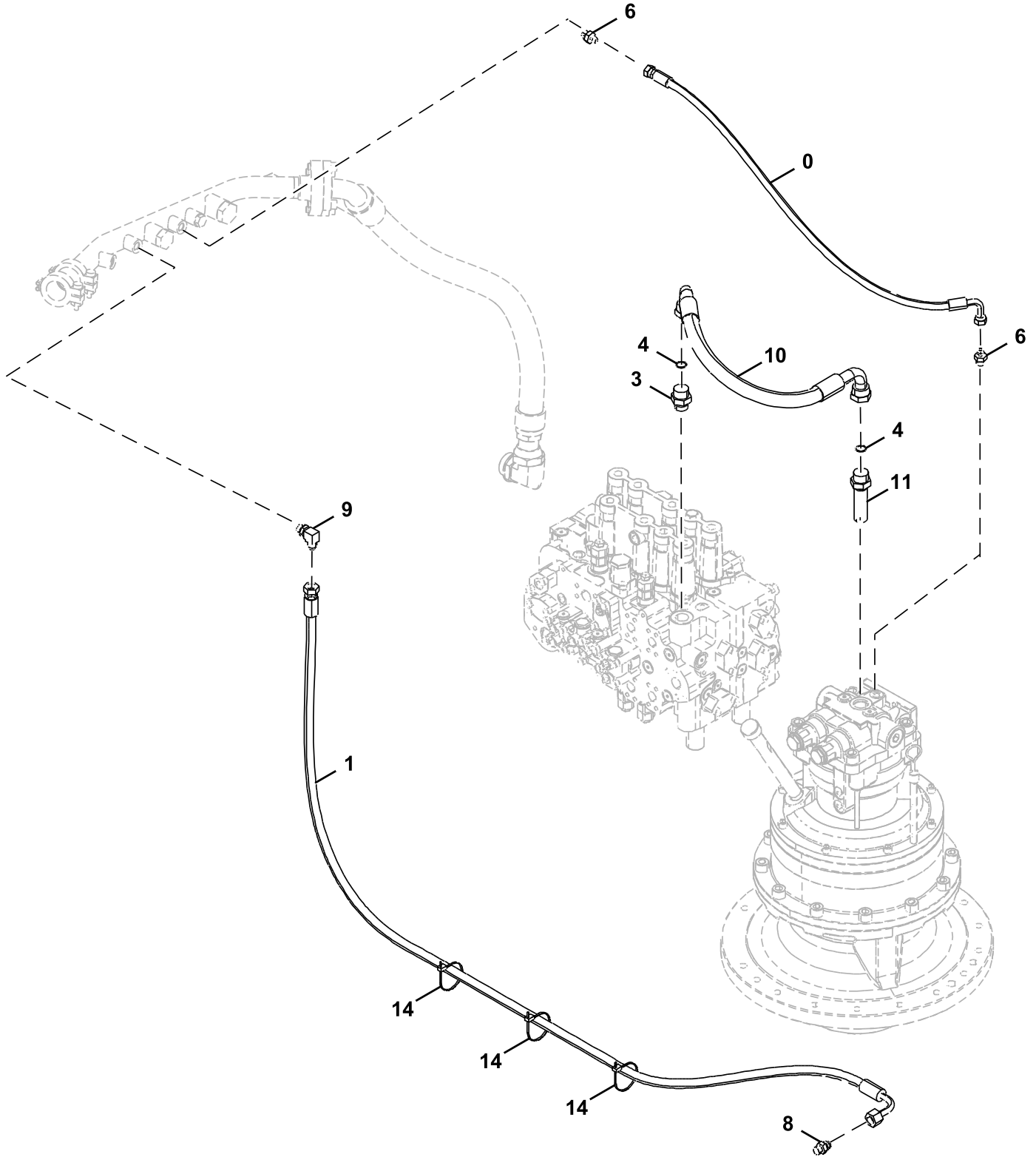


9315244_TX1085826

Key	Part No.	Part Name	Qty.	Serial No.	Remarks
1	4085560	Flange Fitting	8		
2	966993	O-Ring	4		
3	19M9163	Screw	16		M12 X 40, SUB FOR J781240
4	4716077	Hydraulic Hose	1		
5	4716074	Hydraulic Hose	1		
6	9772503	Bracket	1		
7	Screw With Washer	3		J271250 NLA
	19M7403	Cap Screw	3		M12 X 35, SUB FOR J901235
	24M7345	Washer	3		13.500 X 24 X 2.500 mm, SUB FOR J222012
8	19M7943	Cap Screw	1		M12 X 90, SUB FOR J901290
9	8120722	Clamp	1		
10	4710535	Isolator	1		
11	8061722	Clamp	2		
12	3072291	Isolator	2		
14	DH400704	Washer	1		
15	Screw With Washer	2		J271285 NLA
	19M8122	Cap Screw	2		M12 X 85, SUB FOR J901285
	24M7345	Washer	2		13.500 X 24 X 2.500 mm, SUB FOR J222012
16	9773142	Bracket	1		SUB FOR 9768727 OR 9767653

Drain Lines (- 340005)

TX1104709 A.1

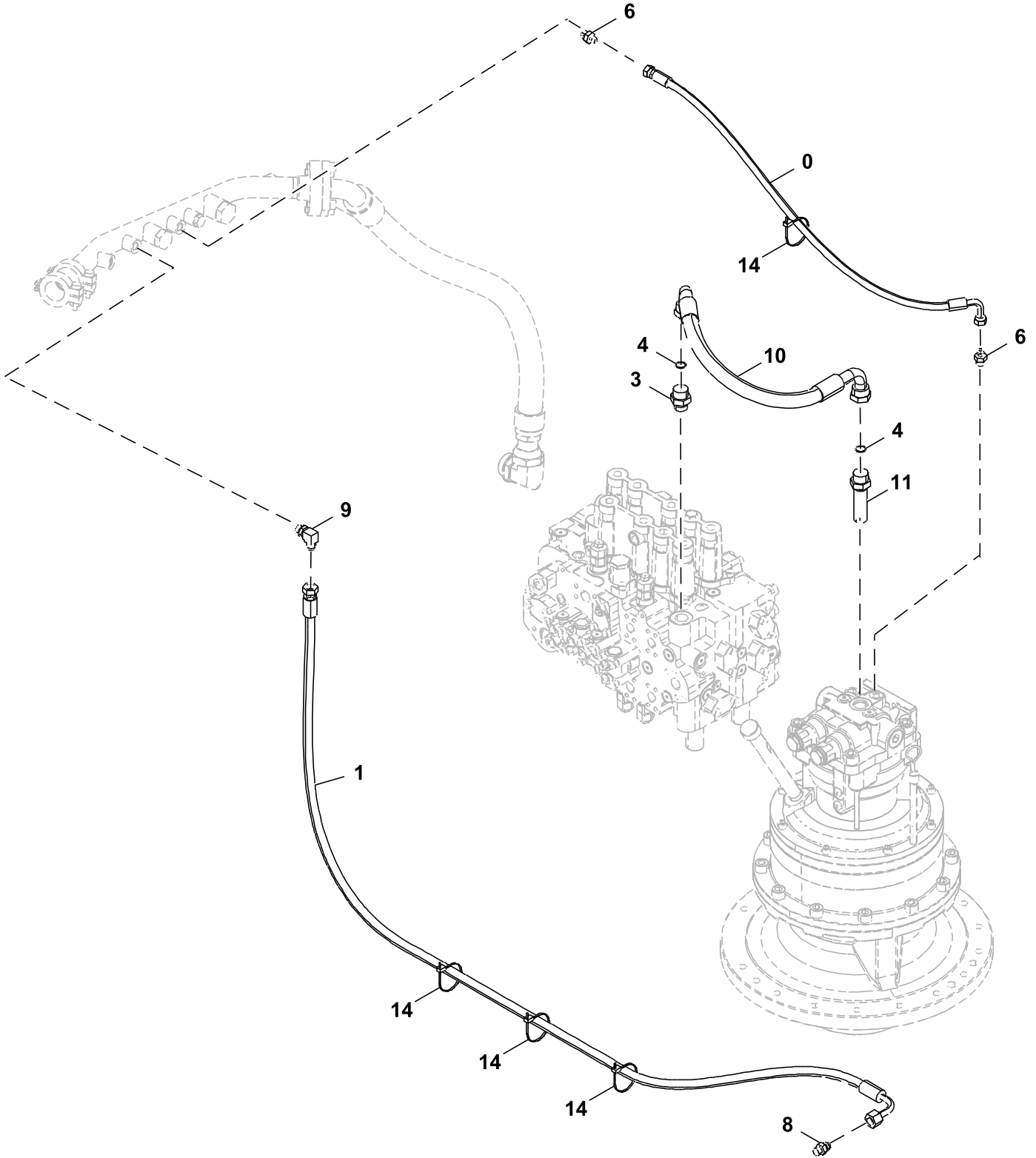


TX1104709

Key	Part No.	Part Name	Qty.	Serial No.	Remarks
0	4453023	Hydraulic Hose	1		Fabricate
1	4334456	Hydraulic Hose	1		Fabricate
3	A853166	Adapter Fitting	1		INCLUDES AT318035
	AT318035	O-Ring	1		
4	T77858	O-Ring	2		SUB FOR 4187308
6	A852133	Adapter Fitting	2		INCLUDES CH11570
	CH11570	O-Ring	1		
8	A852134	Adapter Fitting	1		INCLUDES CH11570
	CH11570	O-Ring	1		
9	A852334	Elbow Fitting	1		INCLUDES CH11570
	CH11570	O-Ring	1		
10	4656682	Hydraulic Hose	1		Fabricate
11	4189539	Adapter Fitting	1		INCLUDES CH11570
	CH11570	O-Ring	1		
14	DH400240	Tie Band	3		

Drain Lines (340006 -)

TX1203357 A.1

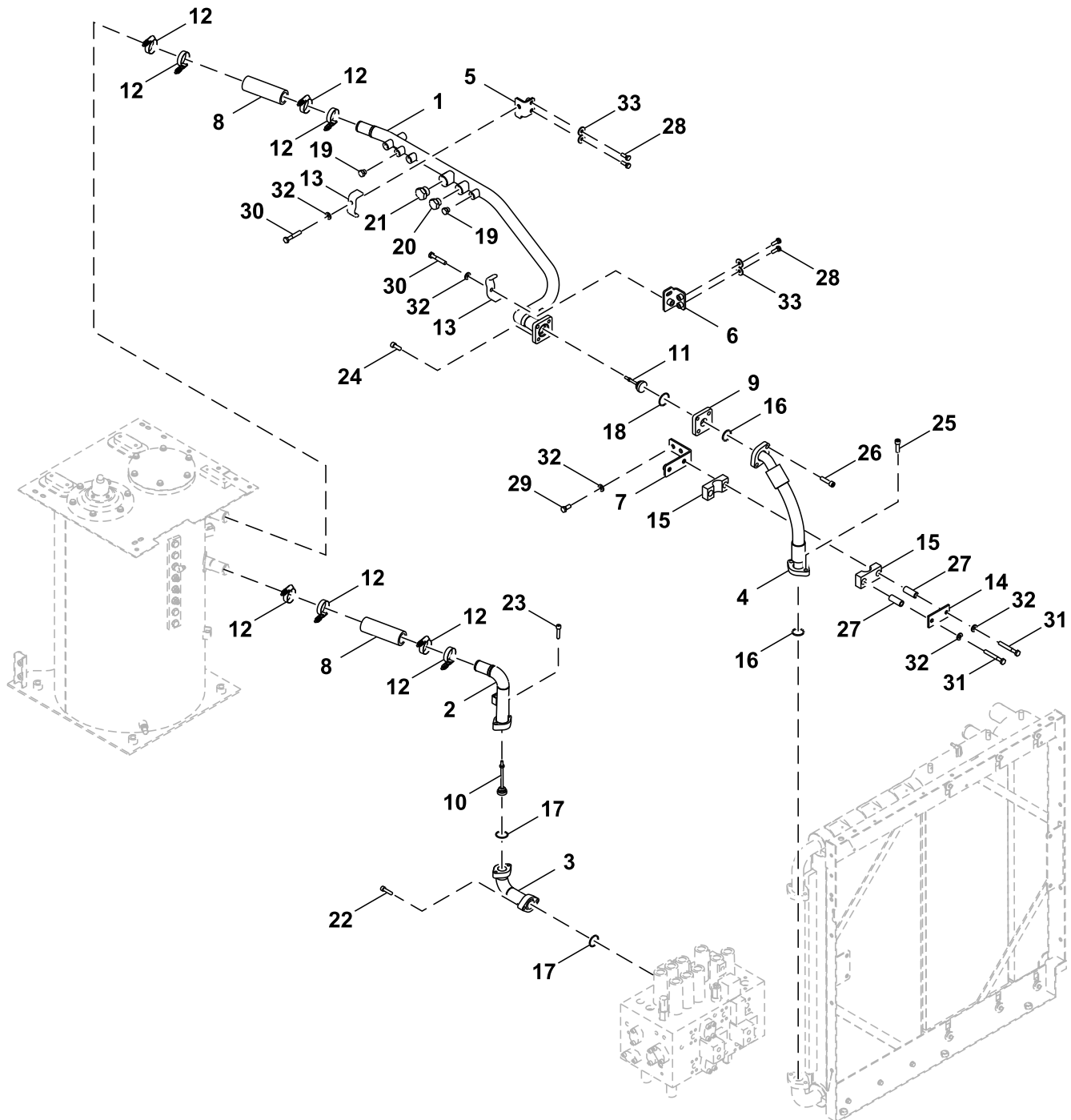


TX1203357

Key	Part No.	Part Name	Qty.	Serial No.	Remarks
0	4448946	Hydraulic Hose	1		
1	4334456	Hydraulic Hose	1		
3	A853166	Adapter Fitting	1		INCLUDES AT318035
	AT318035	O-Ring	1		
4	T77858	O-Ring	2		SUB FOR 4187308
6	A852133	Adapter Fitting	2		INCLUDES CH11570
	CH11570	O-Ring	1		
8	A852134	Adapter Fitting	1		INCLUDES CH11570
	CH11570	O-Ring	1		
9	A852334	Elbow Fitting	1		INCLUDES CH11570
	CH11570	O-Ring	1		
10	4656682	Hydraulic Hose	1		
11	4189539	Adapter Fitting	1		INCLUDES CH11570
	CH11570	O-Ring	1		
14	DH400240	Tie Band	4		

Return Lines, Control Valve To Hydraulic Oil Tank

TX1186771 B.1



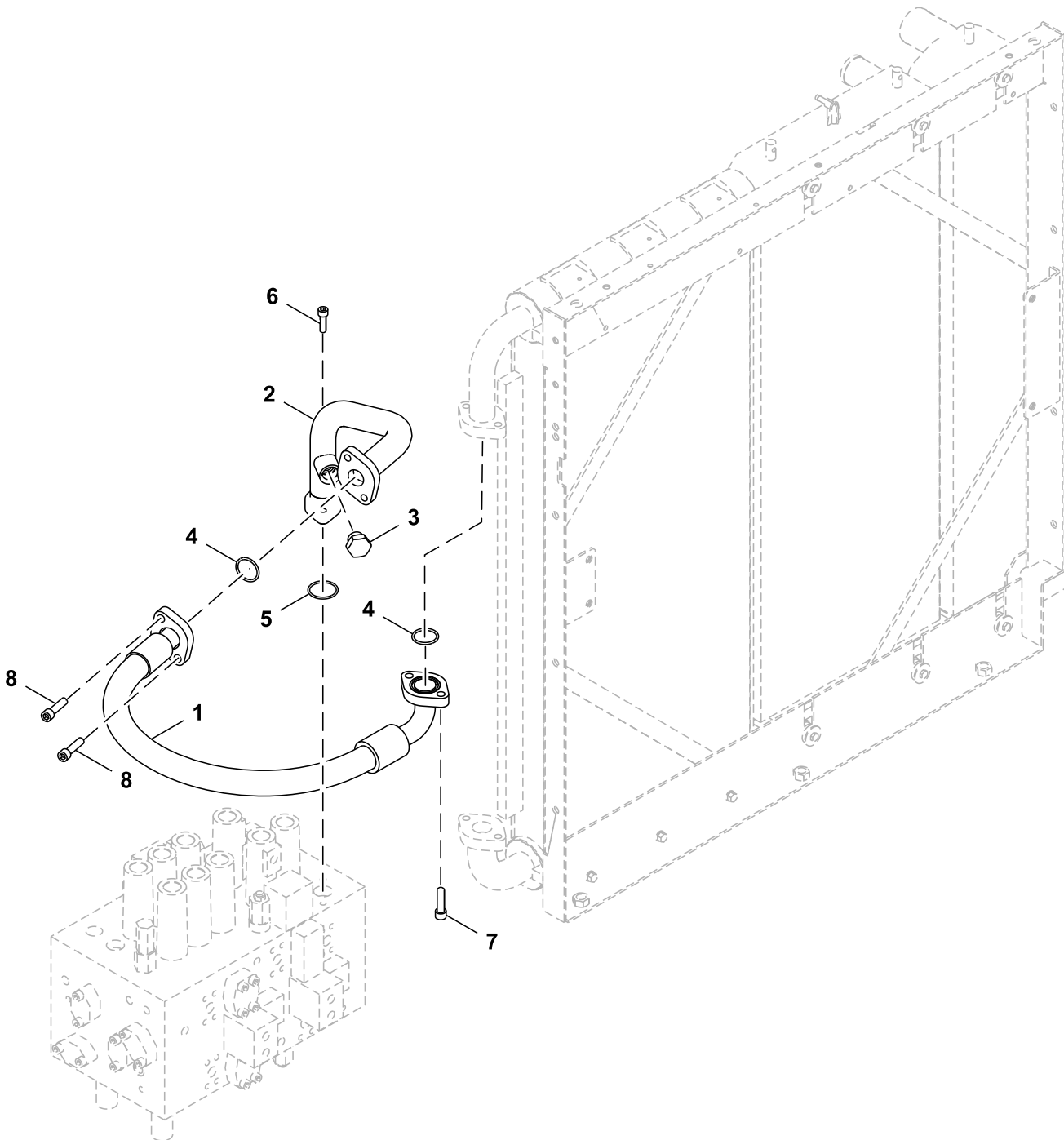
FF531077_TX1186771

33 Backhoe and Excavator
3363 Lines, Hoses and Fittings

Key	Part No.	Part Name	Qty.	Serial No.	Remarks
1	FF531098	Pipe	1		
2	FF531081	Pipe	1		
3	FF531079	Pipe	1		
4	FYA00034197	Hose	1		
5	FYA40019460	Bracket	1		
6	FF532268	Bracket	1		SUB FOR FYA40022128
7	FYA40008691	Bracket	1		
8	FYA00036014	Hose	2		
9	FYA00029903	Flange	1		
10	4656988	Valve	1		
11	4276584	Flow Control Hyd. Valve	1		
12	FXV00001254	Clamp	8		
13	4053698	Clamp	2		
14	4341803	Plate	1		
15	4341808	Hose Clamp	2		
16	T72216	O-Ring	2		SUB FOR 4508805
17	A811040	O-Ring	2		
18	A811045	O-Ring	1		
19	A885003	Pipe Plug	2		
20	A885006	Plug	1		
21	A885008	Pipe Plug	1		
22	19M8338	Screw	2		M10 X 40, SUB FOR J781040
23	J781045	Screw	2		
24	19M8169	Screw	2		M12 X 30, SUB FOR J781230
25	19M9163	Screw	2		M12 X 40, SUB FOR J781240
26	19M8824	Screw	2		M12 X 50, SUB FOR J781250
27	4205614	Spacer	2		
28	19M7662	Cap Screw	4		M10 X 30, SUB FOR J901030
29	19M8011	Cap Screw	2		M12 X 30, SUB FOR J901230
30	19M7753	Cap Screw	2		M12 X 70, SUB FOR J901270
31	19M7943	Cap Screw	2		M12 X 90, SUB FOR J901290
32	DH400704	Washer	6		
33	24M7101	Washer	4		11 X 34 X 3 mm, SUB FOR J217083

Return Lines, Control Valve to Cooling Package

TX1186772 A.1

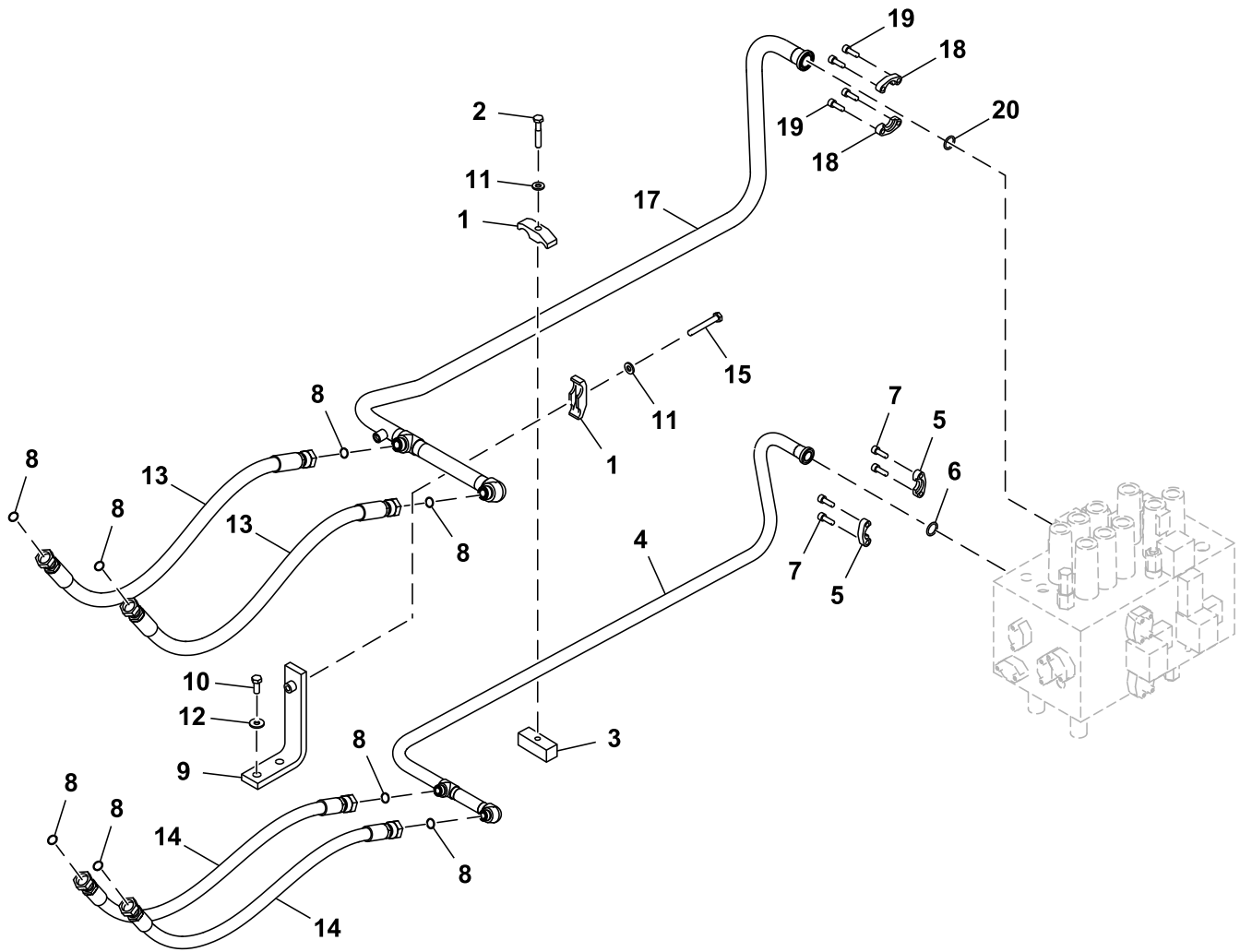


FF531109_TX1186772

Key	Part No.	Part Name	Qty.	Serial No.	Remarks
1	FF531391	Hose	1		
2	FF531390	Pipe	1		
3	A885006	Plug	1		
4	T72216	O-Ring	2		SUB FOR 4508805
5	A811045	O-Ring	1		
6	19M8337	Screw	2		M10 X 30, SUB FOR J781035
7	19M8273	Screw	2		M12 X 45, SUB FOR J781245
8	19M8824	Screw	2		M12 X 50, SUB FOR J781250

Boom Cylinder Lines

TX1308383 A.1

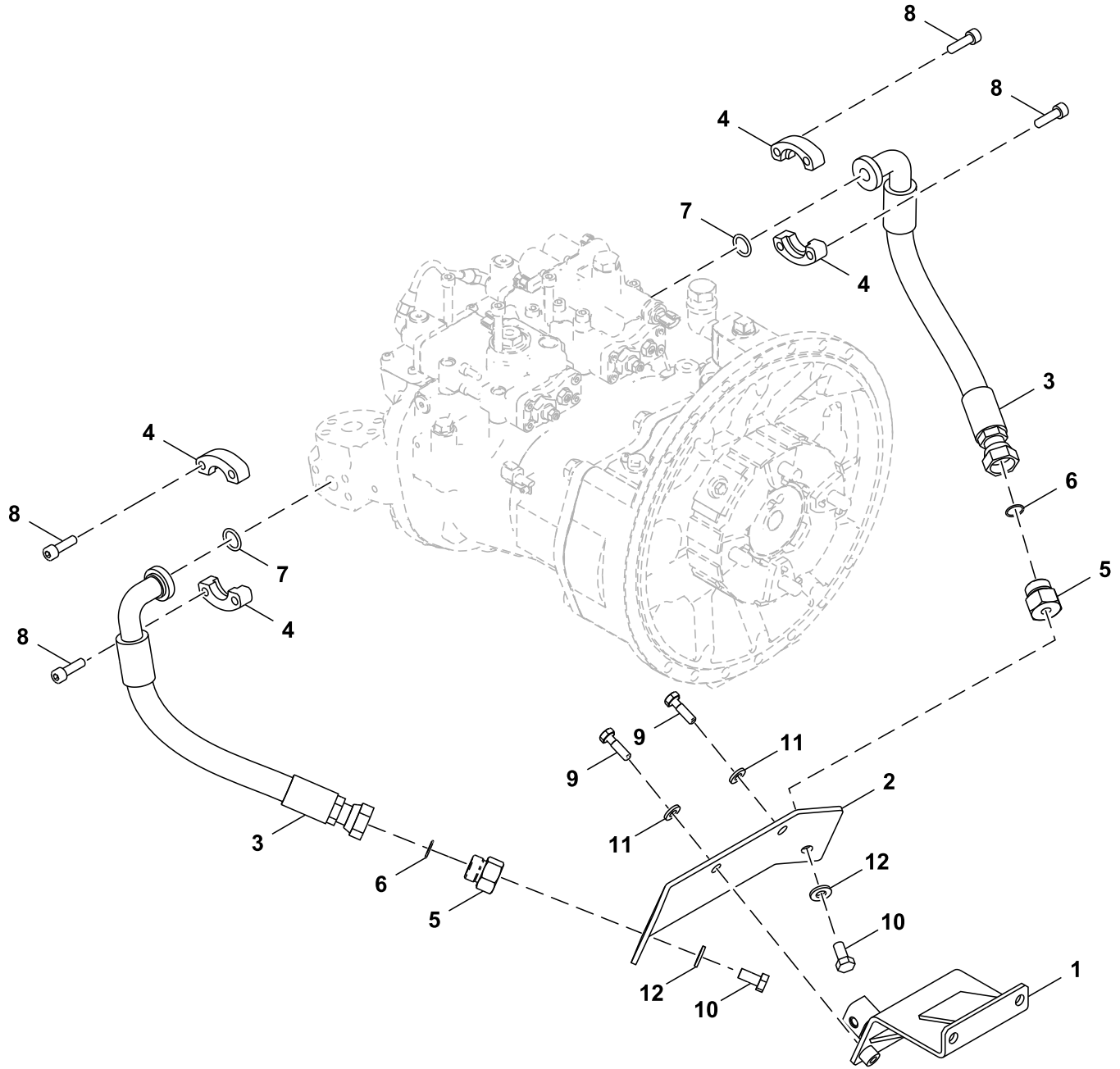


TX1308383

Key	Part No.	Part Name	Qty.	Serial No.	Remarks
1	4153488	Clamp	2		
2	19M7753	Cap Screw	1		M12 X 70, SUB FOR J901270
3	4209157	Weld Nut	1		
4	8098305	Pipe	1		
5	R29424	Flange Fitting	2		SUB FOR Z986910
6	T59014	O-Ring	1		SUB FOR Z971489
7	19M7576	Screw	4		M10 X 30, SUB FOR J781030
8	T77858	O-Ring	8		SUB FOR 4187308
9	9766968	Support	1		
10	19M8011	Cap Screw	2		M12 X 30, SUB FOR J901230
11	DH400704	Washer	2		
12	24H1748	Washer	2		1/2" X 1-1/4" X 0.105", SUB FOR Z449490
13	4661965	Hydraulic Hose	2		
14	4660944	Hydraulic Hose	2		
15	19M8122	Cap Screw	1		M12 X 85, SUB FOR J901285

Attenuator Lines

TX1186446 A.1

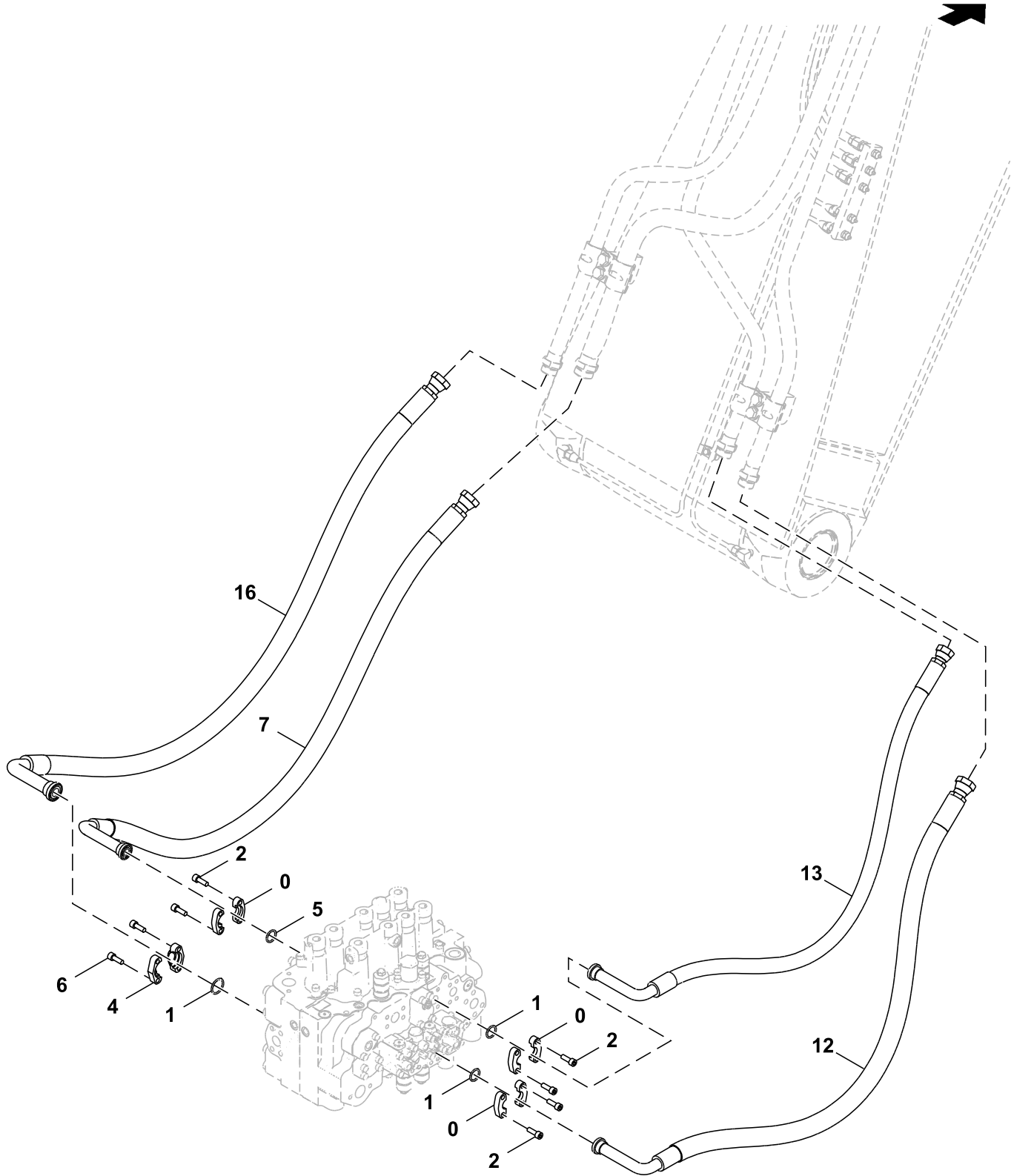


FF531441_TX1186446

Key	Part No.	Part Name	Qty.	Serial No.	Remarks
1	FF510748	Bracket	1		
2	FF531442	Bracket	1		
3	FF531448	Hose	2		
4	T107446	Flange Fitting	4		SUB FOR 4506459
5	4204882	Fitting Plug	2		
6	T77858	O-Ring	2		SUB FOR 4187308
7	T59014	O-Ring	2		SUB FOR Z971489
8	19M8337	Screw	8		M10 X 30, SUB FOR J781035
9	19M7550	Cap Screw	2		M10 X 35, SUB FOR J901035
10	19M7872	Cap Screw	2		M12 X 25, SUB FOR J901225
11	24M7346	Washer	2		11 X 20 X 2 mm, SUB FOR DH400703
12	DH400704	Washer	2		

Front Lines

TX1104743 E.1

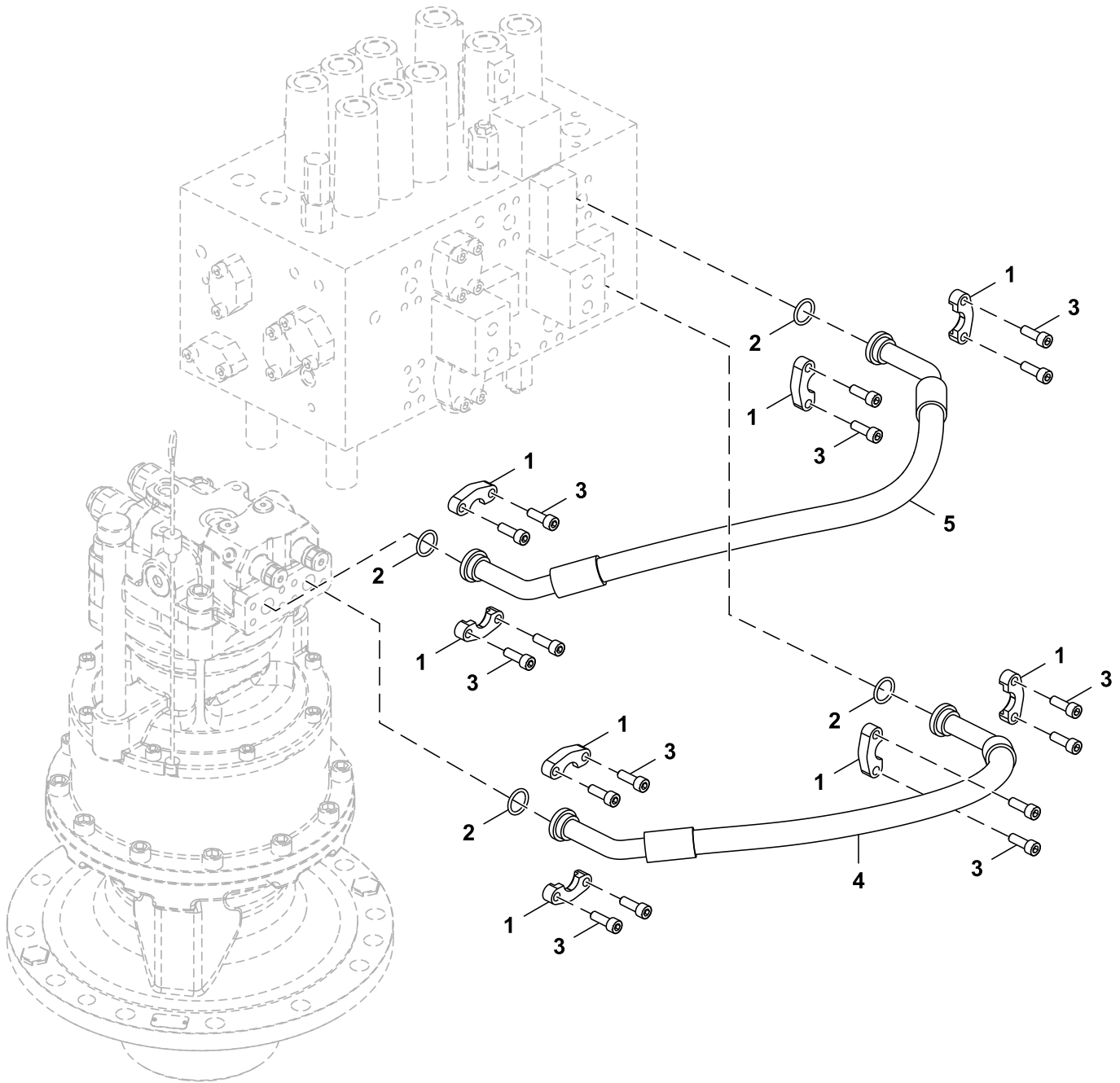


TX1104743

Key	Part No.	Part Name	Qty.	Serial No.	Remarks
0	R29424	Flange Fitting	6		SUB FOR 986910
1	T59014	O-Ring	3		SUB FOR 971489
2	19M7576	Screw	12		M10 X 30, SUB FOR J781030
4	H61354	Flange Fitting	2		SUB FOR 962453
5	966993	O-Ring	1		
6	19M7576	Screw	4		M10 X 30, SUB FOR J781030
7	4639528	Hydraulic Hose	1		OD 1.55 in., MARKED 350-25, ALSO ORDER XHG-075, 9264581 NLA
12	4626738	Hose Guard Hydraulic Hose	1 1		MAKE FROM XHG-075, CTL, SUB FOR 4327294 OD 1.20 in., MARKED 350-19, ALSO ORDER XHG-075, 9244235 NLA
13	4614167	Hose Guard Hydraulic Hose Hose Guard	1 1 1		MAKE FROM XHG-075, CTL, SUB FOR 4327294 ALSO ORDER XHG-075, 9234888 NLA MAKE FROM XHG-075, CTL, SUB FOR 4327294
16	4614165	Hydraulic Hose Hose Guard	1 1		ALSO ORDER XHG-075, 9234887 NLA MAKE FROM XHG-075, CTL, SUB FOR 4327294

Swing Motor Lines From Control Valve

TX1103568 B.1

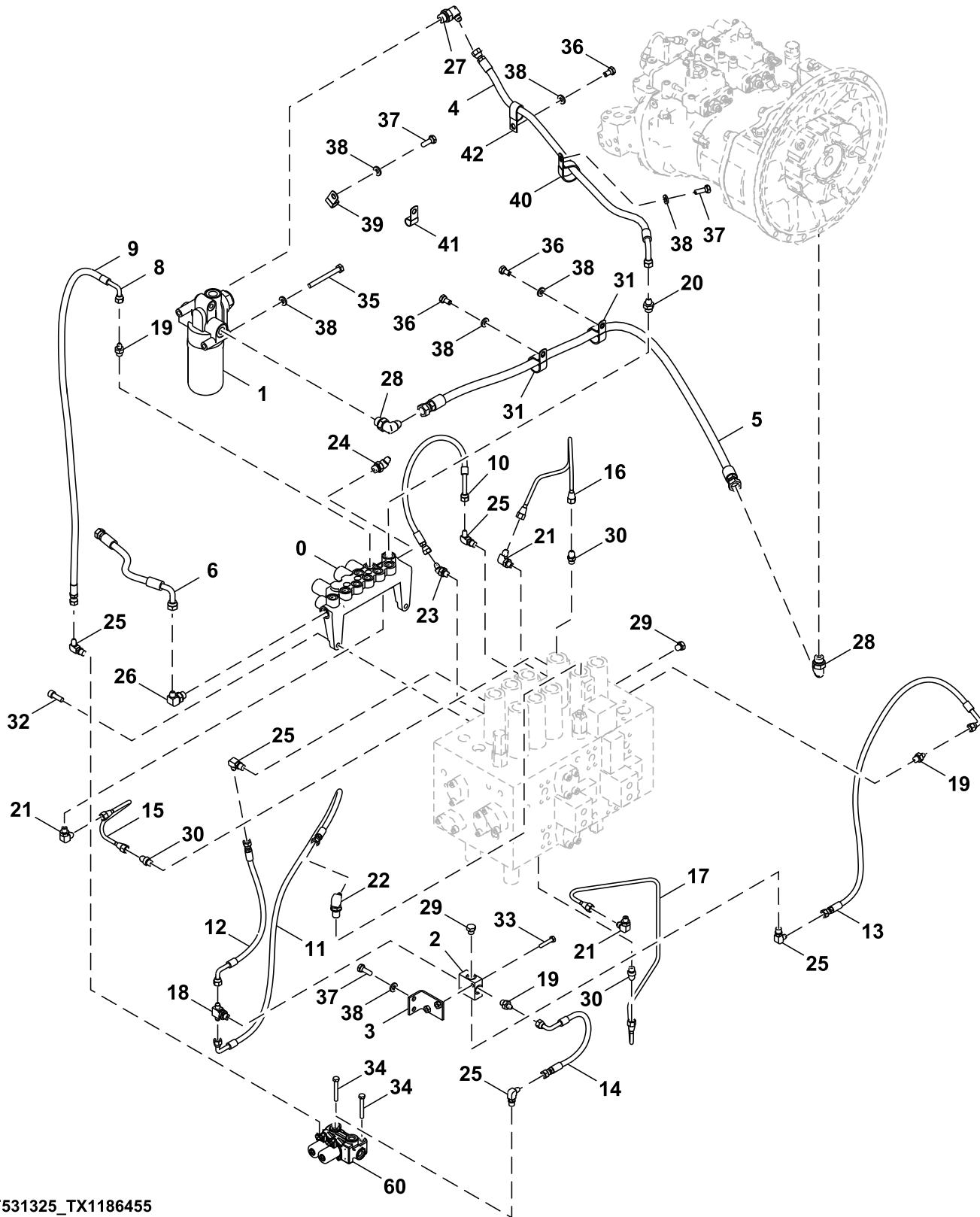


FF512509_TX1103568

<i>Key</i>	<i>Part No.</i>	<i>Part Name</i>	<i>Qty.</i>	<i>Serial No.</i>	<i>Remarks</i>
1	986910	Flange Fitting	8		SUB FOR Z986910
2	971489	O-Ring	4		SUB FOR Z971489
3	19M7576	Screw	16		M10 X 30, SUB FOR J781030
4	4626739	Hose	1		
5	4660220	Hose	1		

Pilot Lines, Filter and Bypass Valve

TX1186455 D.1

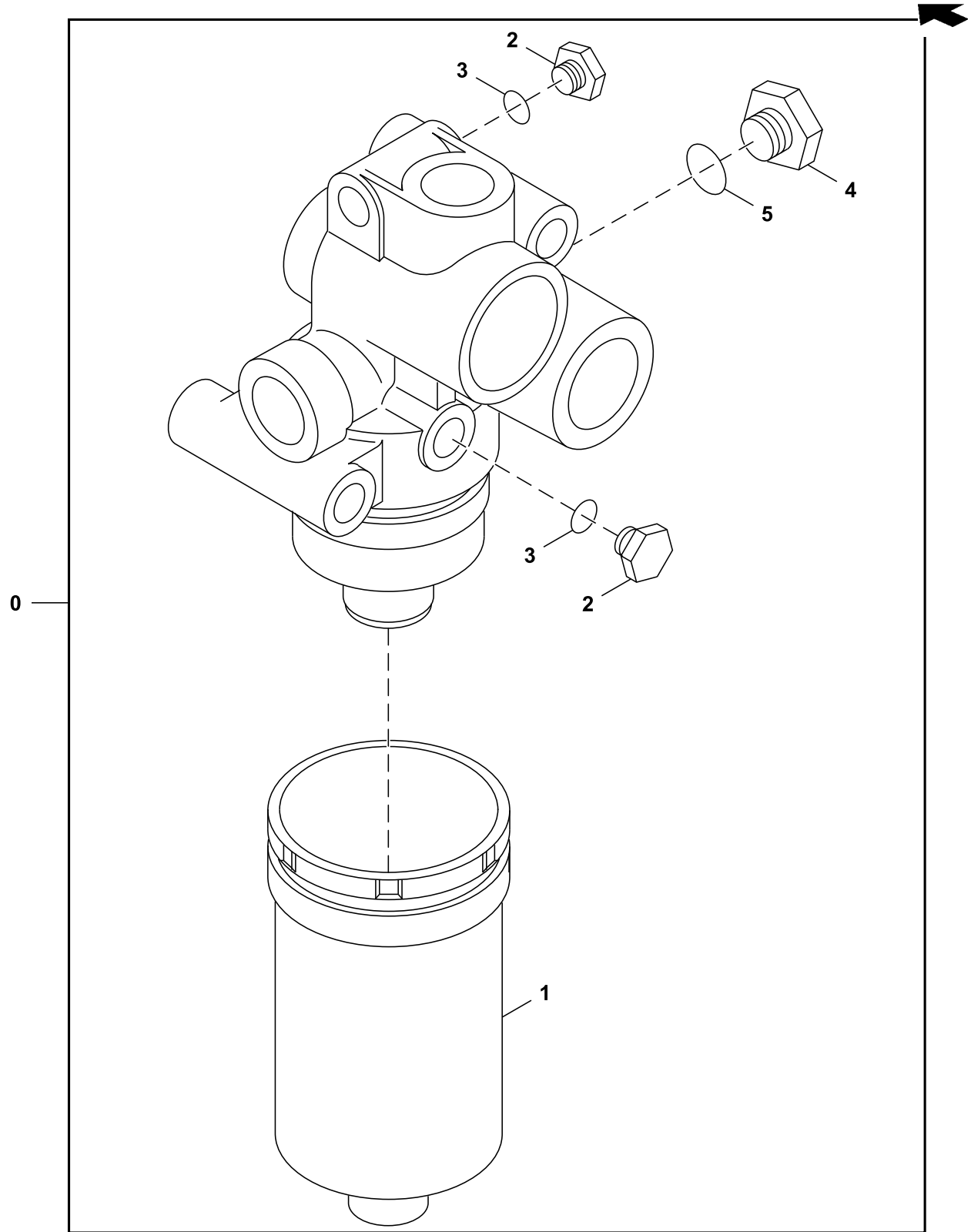


FF531325_TX1186455

Key	Part No.	Part Name	Qty.	Serial No.	Remarks
0	FYB6000078	Solenoid Valve	1		Components On Separate Page
1	4629717	Filter	1		Components On Separate Page, ALSO ORDER 9228867
2	4411001	Flow Control Hyd. Valve	1		
3	9764485	Bracket	1		
4	4365595	Hydraulic Hose	1		SUB FOR 4313341
5	4304469	Hydraulic Hose	1		
6	4630939	Hydraulic Hose	1		
7	Hydraulic Hose	1		9290833 NLA, Furnish Components
8	4703464	Hose	1		SUB FOR 4313250 AND 4386663
9	4327315	Hose Guard	2		SUB FOR 4327293
10	4710223	Hydraulic Hose	1		
11	4398906	Hose	1		SUB FOR 4249348
12	4478168	Hose	1		SUB FOR 4387624 AND 4313240
13	4610260	Hydraulic Hose	1		
14	4659951	Hydraulic Hose	1		
15	4625323	Line	1		
16	4639992	Line	1		
17	4639993	Line	1		
18	A852522	Tee Fitting	1		
19	A852122	Adapter Fitting	3		
20	A852133	Adapter Fitting	1		
21	4293950	Fitting	3		
22	4351281	Fitting	1		
23	A852222	Union Fitting	1		
24	A852233	Elbow Fitting	1		
25	4154670	Elbow Fitting	5		SUB FOR A852322
26	A852333	Elbow Fitting	1		
27	A852343	Elbow Fitting	1		
28	A852344	Elbow Fitting	2		
29	A885002	Plug	2		
30	4255304	Fitting	3		
31	4193848	Clip	2		SUB FOR 4190264
32	19M7576	Screw	2		M10 X 30, SUB FOR J781030
33	19M7301	Cap Screw	2		M8 X 40, SUB FOR J900840
34	19M6451	Cap Screw	2		M8 X 60, SUB FOR J900860
35	19M7668	Cap Screw	2		M10 X 100, SUB FOR J901000
36	19M7938	Cap Screw	3		M10 X 20, SUB FOR J901020
37	19M7662	Cap Screw	4		M10 X 30, SUB FOR J901030
38	24M7346	Washer	9		11 X 20 X 2 mm, SUB FOR DH400703
39	4190274	Clip	1		
40	4193848	Clip	1		SUB FOR 4190291
41	R73384	Clamp	1		SUB FOR 4190253
42	T32854	Clamp	1		SUB FOR 4190282
50	9228867	Shim	1		Pilot Pressure Regulating Valve Shim Kit, Not Included With Filter, Not Illustrated, INCLUDES 4606473, 4487297, 4601120, SUB FOR 4293211
	4606473	Shim	2		Not Illustrated, SUB FOR 4309836
	4487297	Shim	2		Not Illustrated, SUB FOR 4309837
	4601120	Shim	2		Not Illustrated, SUB FOR 4309838
60	9316550	Solenoid Valve	1		Solenoid Valve, Two Section, Components On Separate Page

Pilot Oil Filter Components

TX1149024 B.1

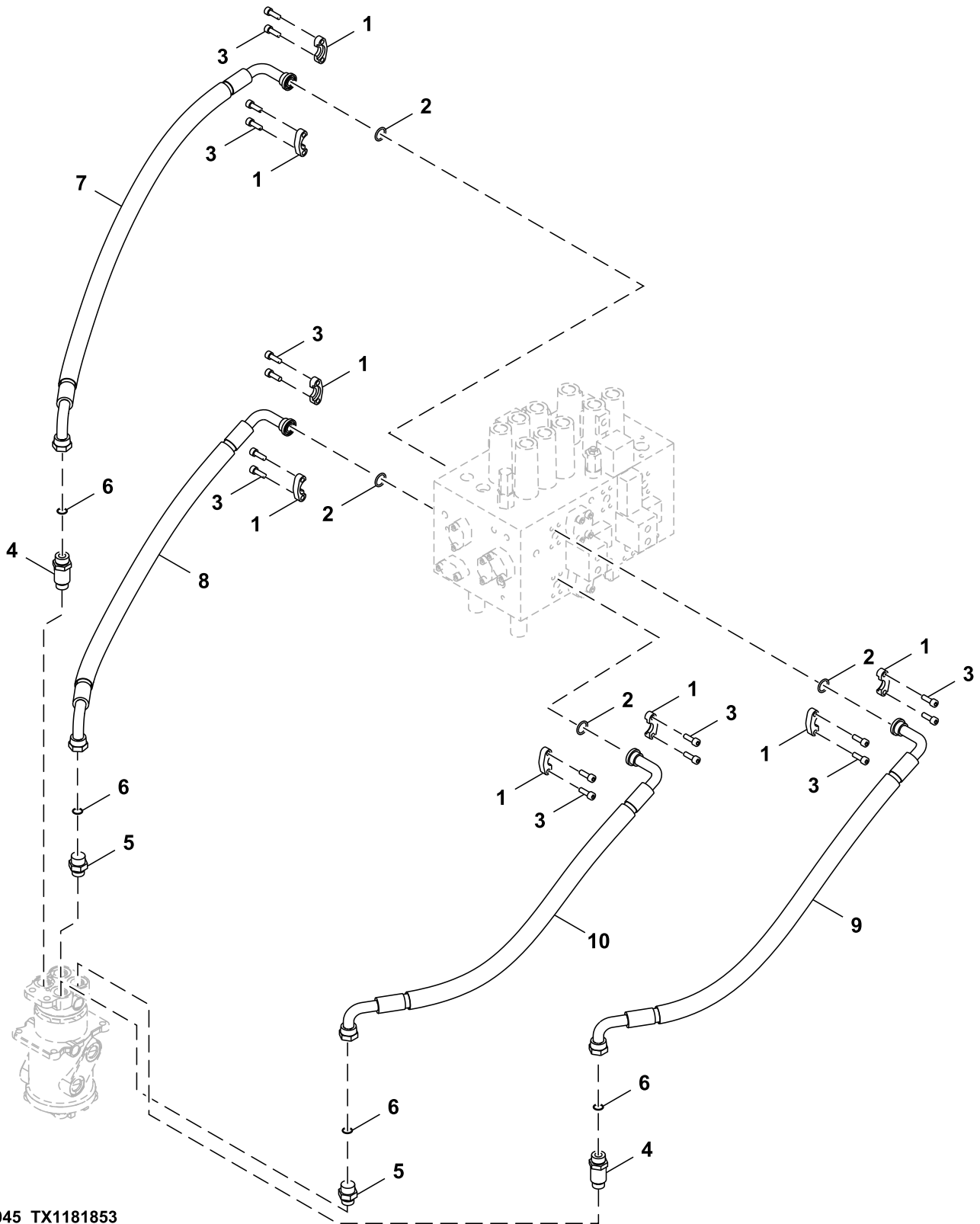


TX1149024

Key	Part No.	Part Name	Qty.	Serial No.	Remarks
0	4629717	Filter	1		Pilot Oil
1	4630525	Filter Element	1		Pilot Oil
2	4174541	Fitting	2		SUB FOR A885004
3	0981201	O-Ring	2		SUB FOR Z957366
4	A885002	Plug	1		
5	4506418	O-Ring	1		

Pilot Lines, Control Valve To Rotary Manifold

TX1181853 B.1

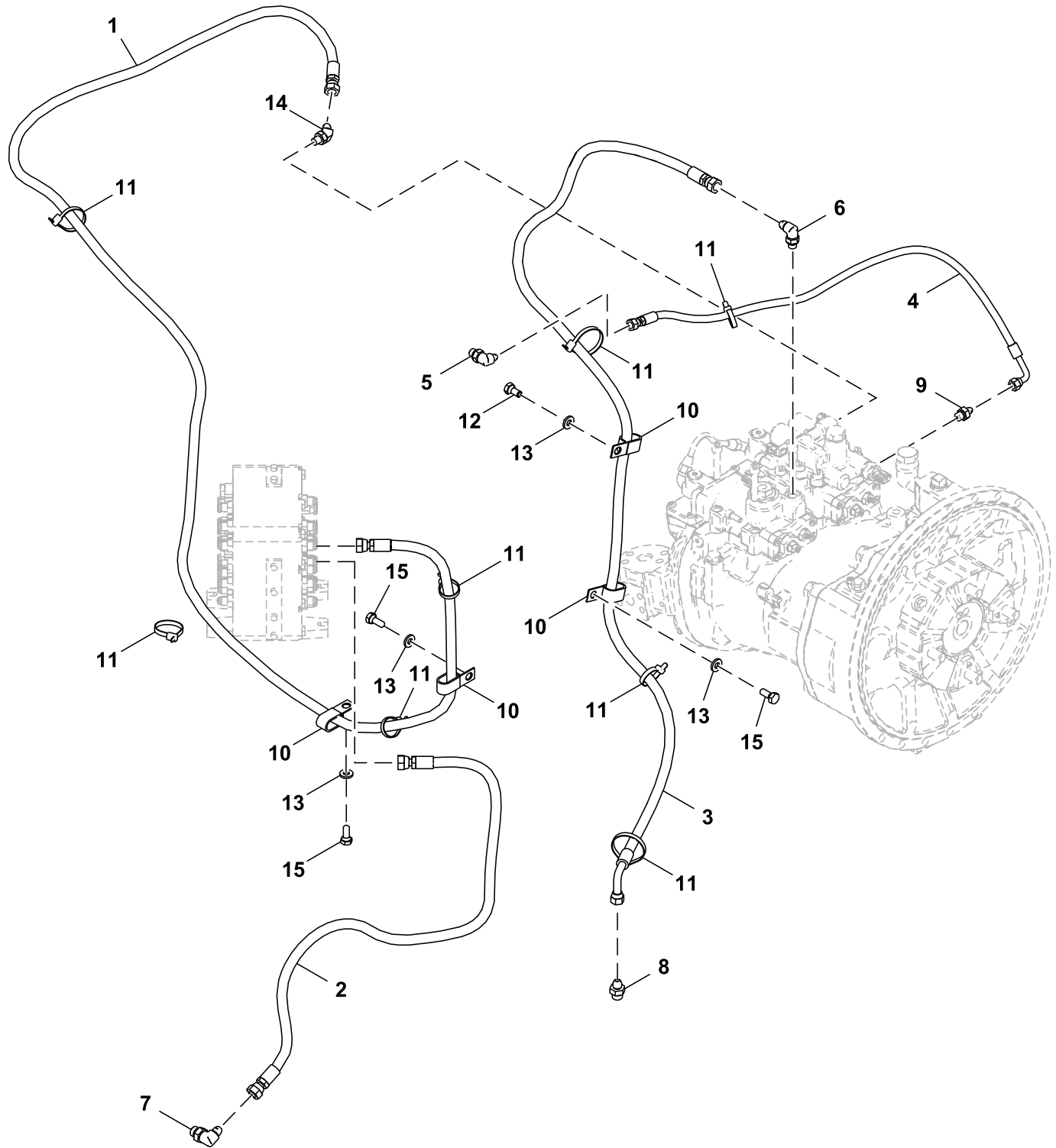


9243045_TX1181853

Key	Part No.	Part Name	Qty.	Serial No.	Remarks
1	R29424	Flange Fitting	8		SUB FOR Z986910
2	T59014	O-Ring	4		SUB FOR Z971489
3	19M7576	Screw	16		M10 X 30, SUB FOR J781030
4	4204661	Adapter Fitting	2		SUB FOR 4189539
5	A853166	Adapter Fitting	2		INCLUDES AT318035
	AT318035	O-Ring	1		SUB FOR 4506424
6	T77858	O-Ring	4		SUB FOR 4187308
7	4626740	Hydraulic Hose	1		ALSO ORDER 4327294
	4327294	Hose Guard	1		
8	4626741	Hydraulic Hose	1		ALSO ORDER 4327294
	4327294	Hose Guard	1		
9	4626742	Hydraulic Hose	1		ALSO ORDER 4327294
	4327294	Hose Guard	1		
10	4626743	Hydraulic Hose	1		ALSO ORDER 4327294
	4327294	Hose Guard	1		

Pilot Lines (Hydraulic Pump To Pilot Signal Manifold)

TX1186142 B.2

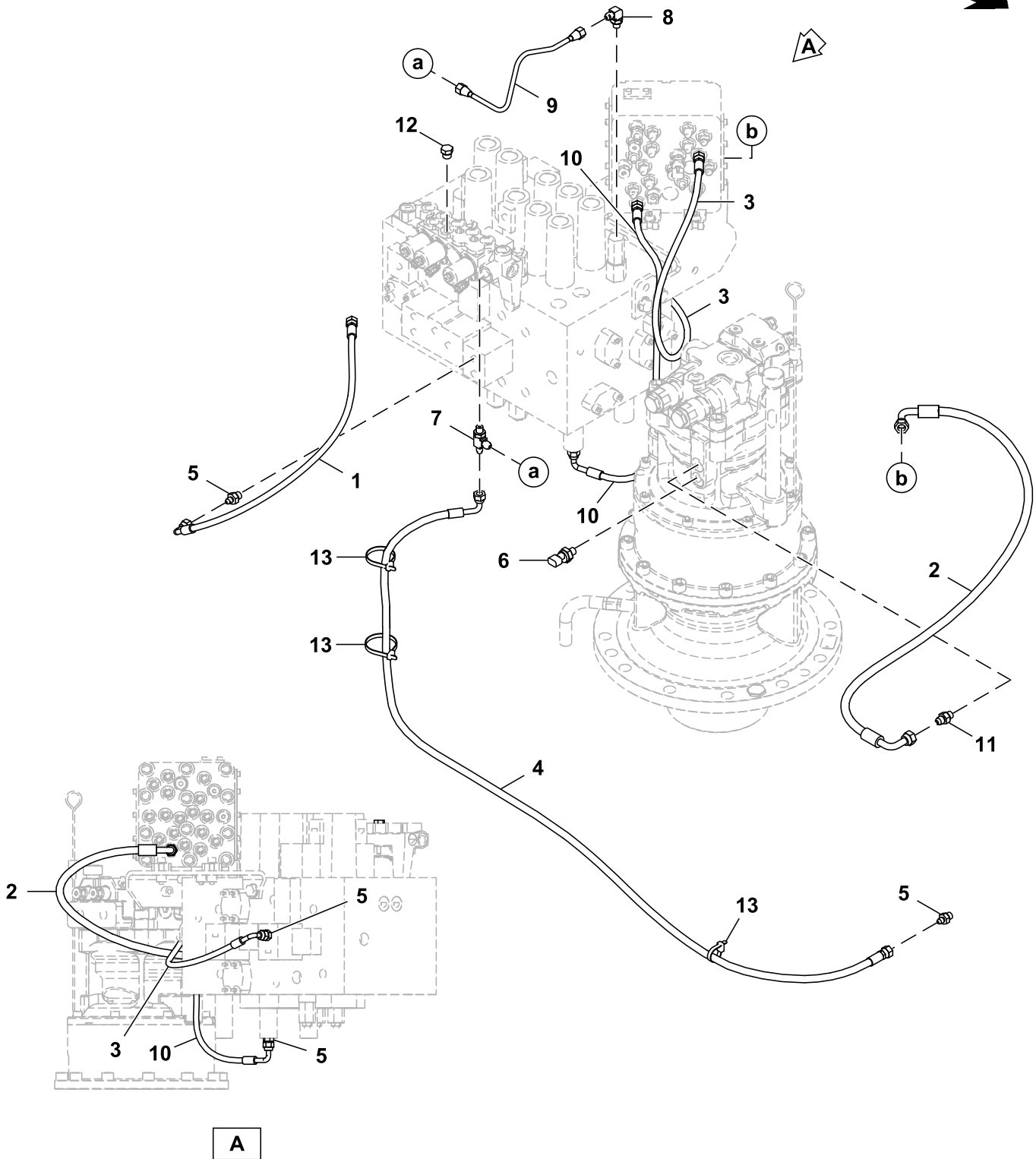


TX1186142

Key	Part No.	Part Name	Qty.	Serial No.	Remarks
1	4650515	Hose	1		
2	4724348	Hose	1		
3	4715840	Hydraulic Hose	1		
4	4717662	Hose	1		
5	4154670	Elbow Fitting	1		SUB FOR A852322
6	A852323	Elbow Fitting	1		
7	A852333	Elbow Fitting	1		
8	A852133	Adapter Fitting	1		
9	A852122	Adapter Fitting	1		
10	T32854	Clamp	4		SUB FOR 4190282
11	DH400240	Tie Band	8		
12	19M7938	Cap Screw	1		M10 X 20, SUB FOR J901020
13	24M7346	Washer	4		11 X 20 X 2 mm, SUB FOR DH400703
14	A852223	Elbow Fitting	1		
15	19M7402	Cap Screw	3		M10 X 25, SUB FOR J901025

Pilot Lines, Pilot Signal Manifold To Swing Motor

TX1276907 A.1

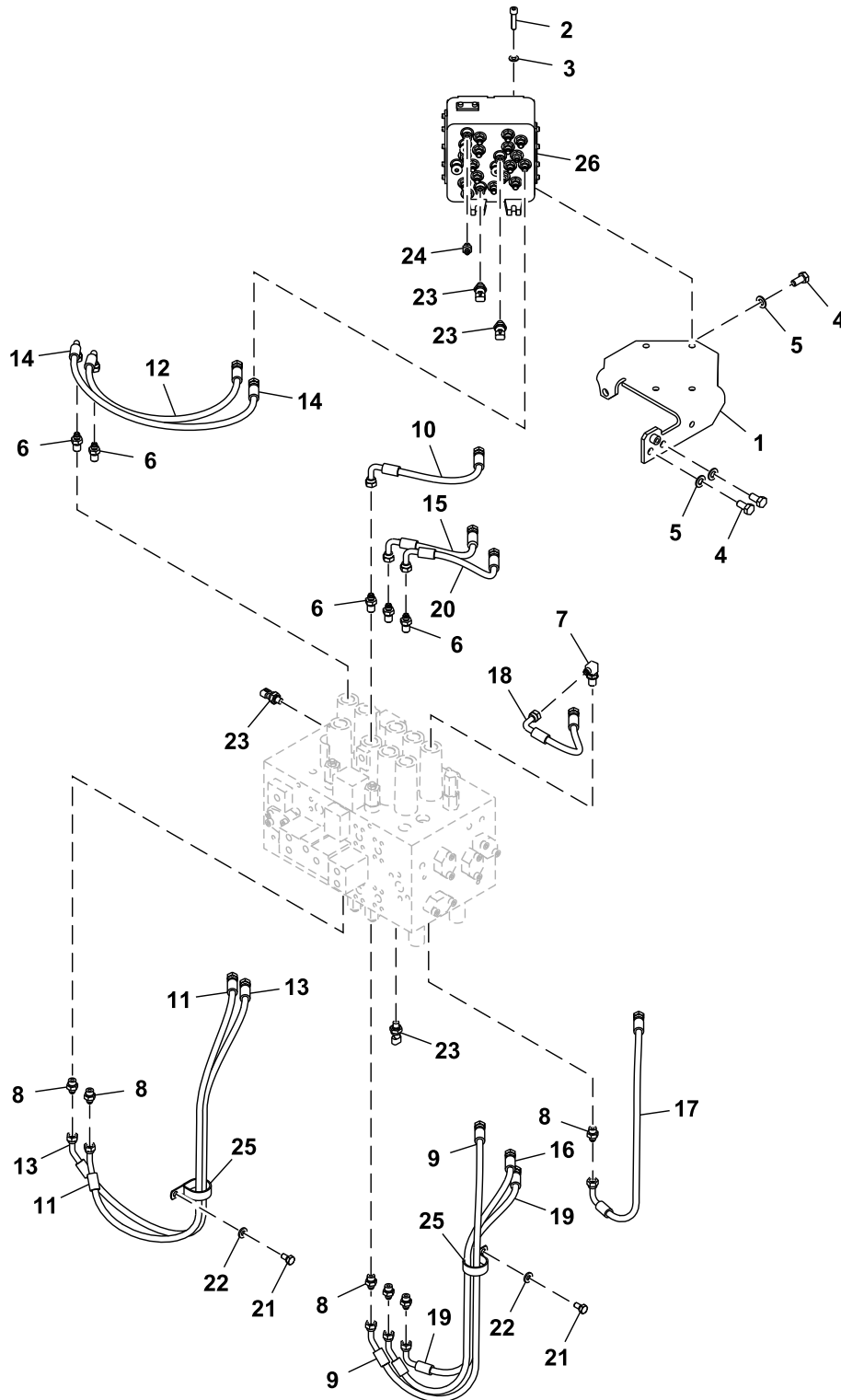


FF533107_TX1276907

Key	Part No.	Part Name	Qty.	Serial No.	Remarks
1	4427111	Hydraulic Hose	1		Fabricate
2	4632493	Hydraulic Hose	1		Fabricate
3	4648912	Hydraulic Hose	1		Fabricate
4	4447490	Hydraulic Hose	1		Fabricate
5	A852122	Adapter Fitting	4		
6	4436535	Sensor	1		Pressure
7	4203485	Fitting	1		
8	4293950	Fitting	1		
9	4625320	Line	1		
10	4630952	Hydraulic Hose	1		Fabricate
11	A852123	Adapter Fitting	1		
12	A885002	Plug	1		
13	DH400240	Tie Band	3		

Pilot Lines, Control Valve To Pilot Signal Manifold (- 340456)

TX1122470 C.1

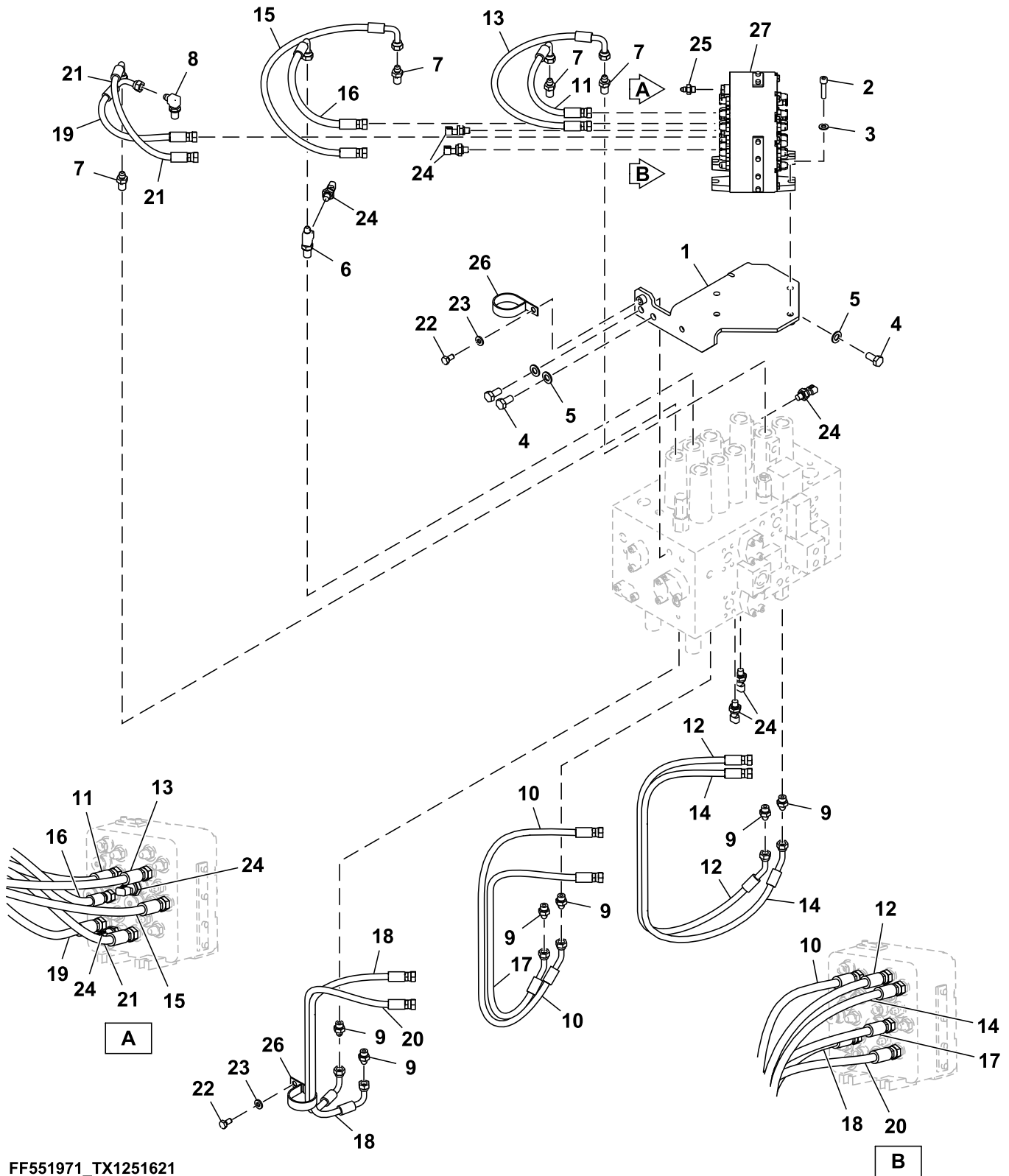


9259702_TX1122470

Key	Part No.	Part Name	Qty.	Serial No.	Remarks
1	8102521	Bracket	1		
2	J781045	Screw	4		
3	24M7028	Washer	4		10.500 X 20 X 2 mm, SUB FOR A590110
4	19M7877	Cap Screw	3		M14 X 30, SUB FOR J901430
5	24M7085	Washer	3		15 X 28 X 2.500 mm, SUB FOR A590114
6	4202422	Adapter Fitting	5		
7	4208913	Adapter Fitting	1		
8	A852133	Adapter Fitting	6		
9	4630934	Hydraulic Hose	1		
10	4630938	Hydraulic Hose	1		
11	4630933	Hydraulic Hose	1		
12	4630941	Hydraulic Hose	1		
13	4630932	Hydraulic Hose	1		
14	4630940	Hydraulic Hose	1		
15	4630939	Hydraulic Hose	1		
16	4630935	Hydraulic Hose	1		
17	4630936	Hydraulic Hose	1		
18	4649405	Hydraulic Hose	1		
19	4630937	Hydraulic Hose	1		
20	4630943	Hydraulic Hose	1		
21	19M7938	Cap Screw	2		M10 X 20, SUB FOR J901020
22	24M7346	Washer	2		11 X 20 X 2 mm, SUB FOR DH400703
23	4436535	Sensor	4		Pressure
24	A852122	Adapter Fitting	1		
25	4193816	Clip	2		
26	4718274	Valve	1		ALSO ORDER A852122, Pilot Signal Manifold, Components On Separate Pages
	A852122	Adapter Fitting	1		Not Illustrated

Pilot Lines, Control Valve To Pilot Signal Manifold (340457 -)

TX1251621 A.1

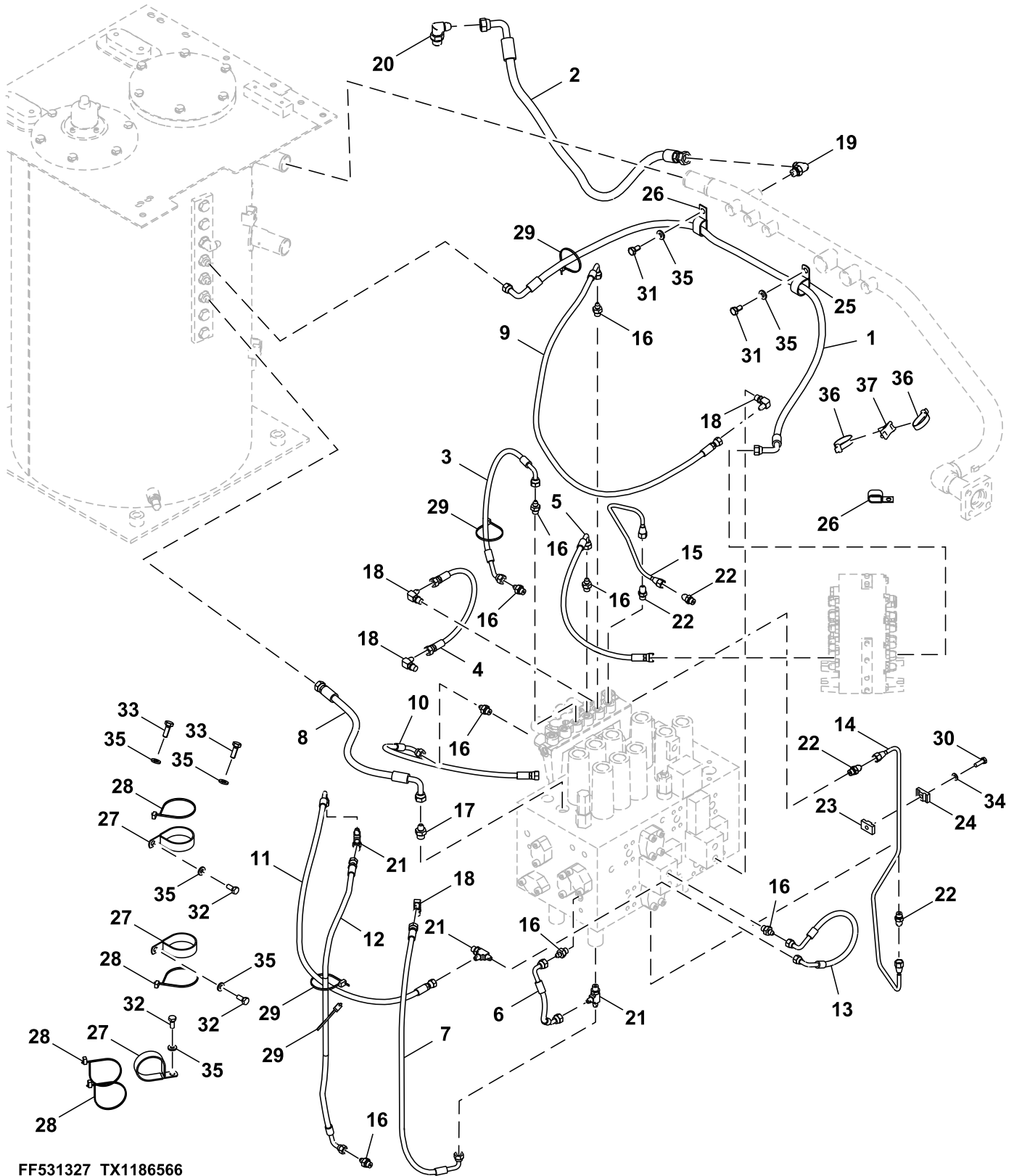


FF551971_TX1251621

Key	Part No.	Part Name	Qty.	Serial No.	Remarks
1	8102521	Bracket	1		
2	J781045	Screw	4		
3	24M7028	Washer	4		10.500 X 20 X 2 mm, SUB FOR A590110
4	19M7877	Cap Screw	3		M14 X 30, SUB FOR J901430
5	24M7085	Washer	3		15 X 28 X 2.500 mm, SUB FOR A590114
6	FYA00024575	Tee Fitting	1		
7	4202422	Adapter Fitting	4		
8	4208913	Adapter Fitting	1		
9	A852133	Adapter Fitting	6		
10	4630934	Hydraulic Hose	1		Fabricate
11	4630938	Hydraulic Hose	1		Fabricate
12	4630933	Hydraulic Hose	1		Fabricate
13	4630941	Hydraulic Hose	1		Fabricate
14	4630932	Hydraulic Hose	1		Fabricate
15	4630940	Hydraulic Hose	1		Fabricate
16	FF551290	Hydraulic Hose	1		
17	4630935	Hydraulic Hose	1		Fabricate
18	4630936	Hydraulic Hose	1		Fabricate
19	4229857-S	Hydraulic Hose	1		SUB FOR 4649405, Fabricate
20	4630937	Hydraulic Hose	1		Fabricate
21	4630943	Hydraulic Hose	1		Fabricate
22	19M7938	Cap Screw	2		M10 X 20, SUB FOR J901020
23	24M7346	Washer	2		11 X 20 X 2 mm, SUB FOR DH400703
24	4436535	Sensor	6		Pressure
25	A852122	Adapter Fitting	1		
26	4193816	Clip	2		
27	4718274	Valve	1		Pilot Signal Manifold, Components On Separate Page

Pilot Lines, Control Valve to Solenoid Valve (- 340504)

TX1186566 B.1



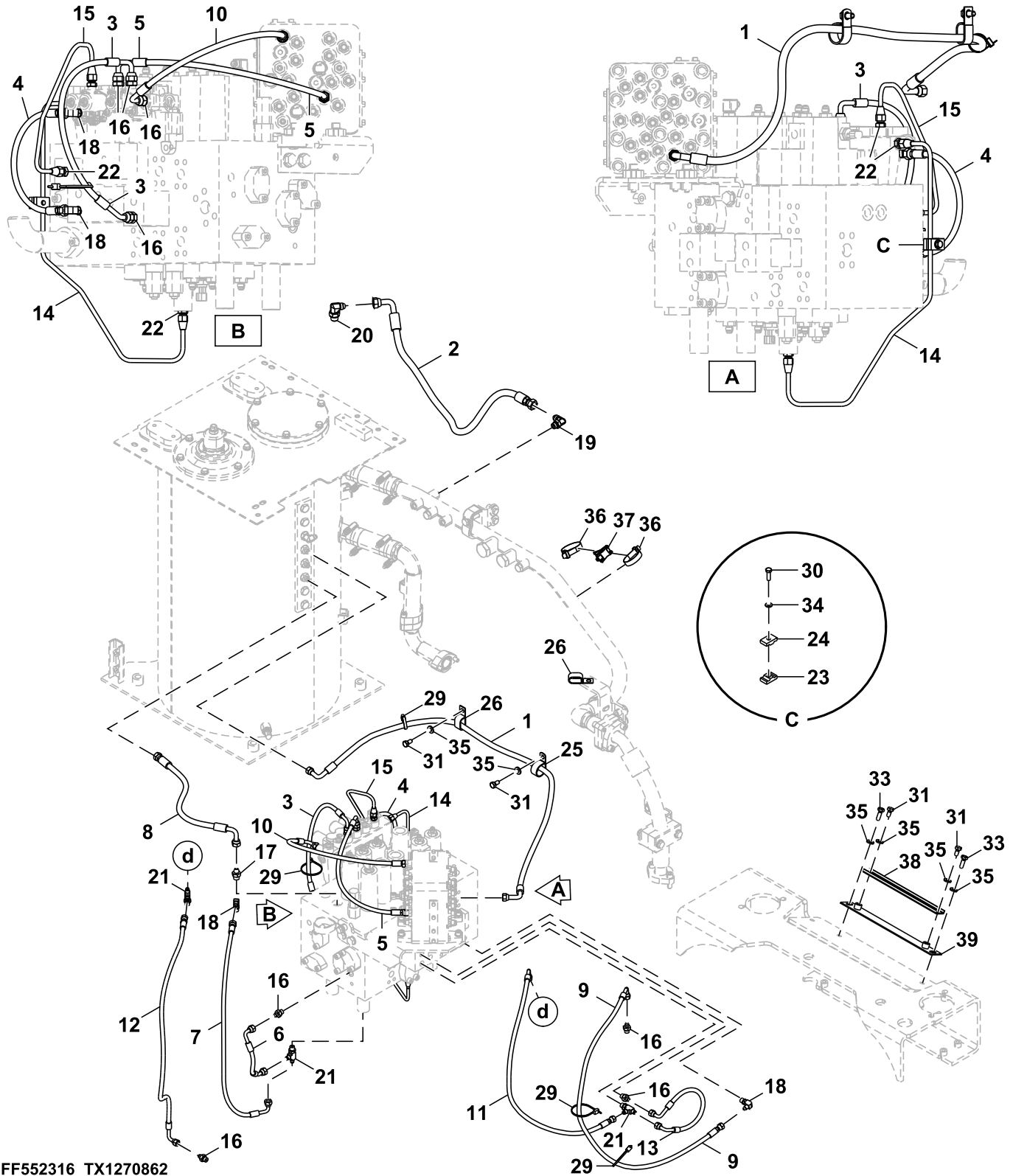
FF531327_TX1186566

33 Backhoe and Excavator
3363 Lines, Hoses and Fittings

Key	Part No.	Part Name	Qty.	Serial No.	Remarks
1	FF510725	Hose	1		
2	4313426	Hydraulic Hose	1		
3	4632041	Hydraulic Hose	1		
4	4452035	Hydraulic Hose	1		SUB FOR 4452733
5	4630949	Hydraulic Hose	1		
6	4427357	Hydraulic Hose	1		
7	4630946	Hydraulic Hose	1		
8	4635248	Hydraulic Hose	1		SUB FOR 4213401
9	4398906	Hose	1		SUB FOR 4249348
10	AE42718	Hydraulic Hose	1		4219363 NLA; ALSO ORDER AH89069
	AH89069	Elbow Fitting	1		
11	4630947	Hydraulic Hose	1		
12	4372956	Hydraulic Hose	1		
13	4427351	Hydraulic Hose	1		
14	3103187	Line	1		
15	4639989	Line	1		
16	A852122	Adapter Fitting	8		
17	A852133	Adapter Fitting	1		
18	4154670	Elbow Fitting	4		SUB FOR A852322
19	A852334	Elbow Fitting	1		
20	A852344	Elbow Fitting	1		
21	A852422	Tee Fitting	3		
22	4255304	Fitting	4		
23	9735305	Clamp	1		
24	9735306	Clamp	1		
25	4193848	Clip	1		SUB FOR 4190264
26	T32854	Clamp	2		SUB FOR 4190282
27	4204136	Clip	3		
28	H77698	Tie Band	4		SUB FOR 4121859
29	DH400240	Tie Band	4		
30	19M7407	Cap Screw	1		M8 X 25, SUB FOR J900825
31	19M7938	Cap Screw	2		M10 X 20, SUB FOR J901020
32	19M7402	Cap Screw	3		M10 X 25, SUB FOR J901025
33	19M7662	Cap Screw	2		M10 X 30, SUB FOR J901030
34	24M7055	Washer	1		8,400 X 16 X 1,600 mm, SUB FOR A590108
35	24M7346	Washer	7		11 X 20 X 2 mm, SUB FOR DH400703
36	H224073	Tie Band	2		
37	AN209168	Swivel	1		

Pilot Lines, Control Valve to Solenoid Valve (340505 -)

TX1270862 A.1



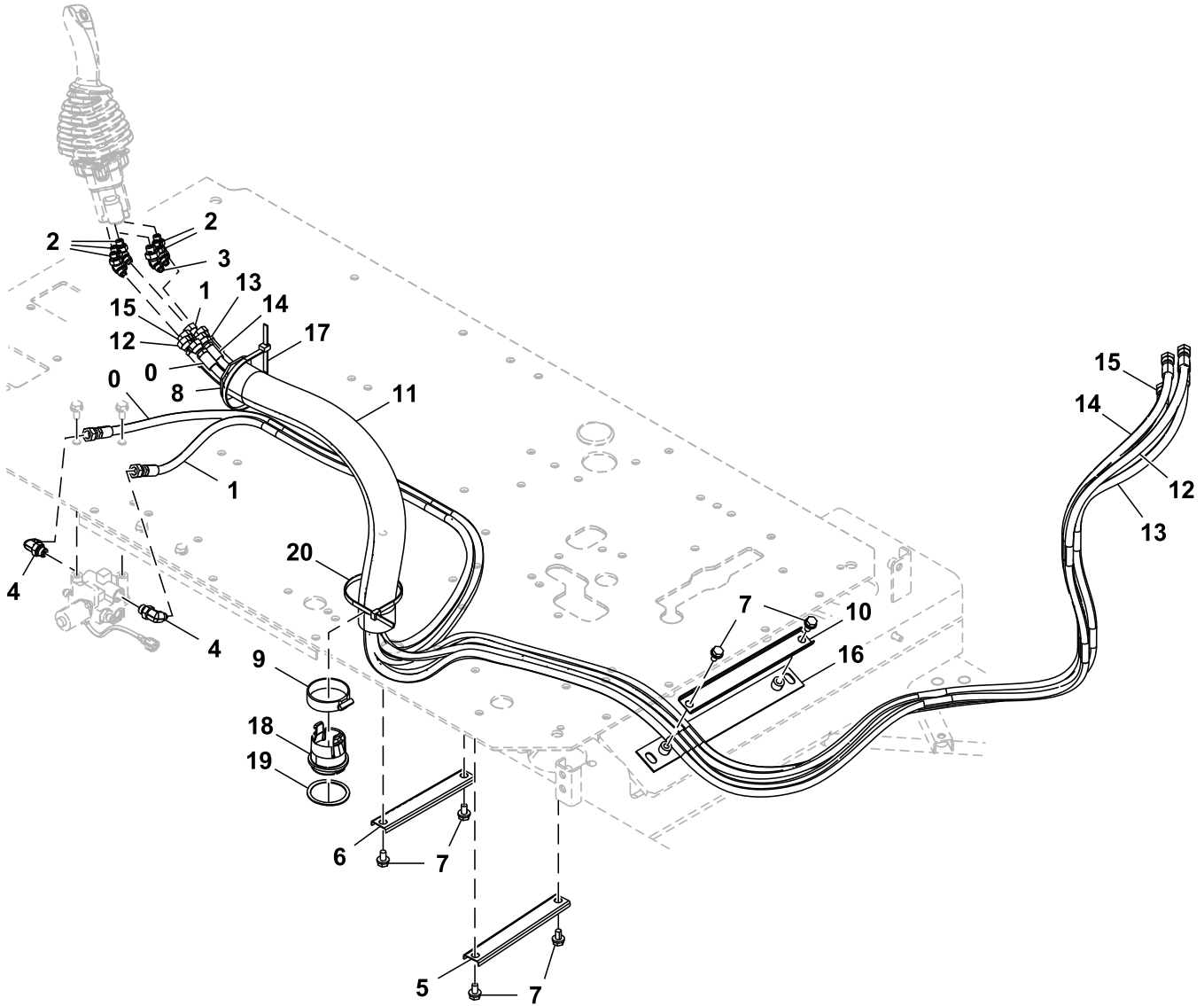
FF552316_TX1270862

33 Backhoe and Excavator
3363 Lines, Hoses and Fittings

Key	Part No.	Part Name	Qty.	Serial No.	Remarks
1	FF510725	Hose	1		
2	4313426	Hydraulic Hose	1		Fabricate
3	4632041	Hydraulic Hose	1		Fabricate
4	4656809	Hydraulic Hose	1		Fabricate
5	4630949	Hydraulic Hose	1		Fabricate
6	4427357	Hydraulic Hose	1		Fabricate
7	4630946	Hydraulic Hose	1		Fabricate
8	4635248	Hydraulic Hose	1		SUB FOR 4213401
9	4398906	Hose	1		SUB FOR 4249348
10	AE42718	Hydraulic Hose	1		4219363 NLA; ALSO ORDER AH89069, Fabricate
	AH89069	Elbow Fitting	1		
11	4630947	Hydraulic Hose	1		Fabricate
12	4372956	Hydraulic Hose	1		Fabricate
13	4427351	Hydraulic Hose	1		Fabricate
14	3103187	Line	1		
15	4639989	Line	1		
16	A852122	Adapter Fitting	8		
17	A852133	Adapter Fitting	1		
18	4154670	Elbow Fitting	4		SUB FOR A852322
19	A852334	Elbow Fitting	1		
20	A852344	Elbow Fitting	1		
21	A852422	Tee Fitting	3		
22	4255304	Fitting	4		
23	9735305	Clamp	1		
24	9735306	Clamp	1		
25	4193848	Clip	1		SUB FOR 4190264
26	T32854	Clamp	2		SUB FOR 4190282
27	4204136	Clip	3		Not Illustrated
28	H77698	Tie Band	6		SUB FOR 4121859, Not Illustrated
29	DH400240	Tie Band	4		
30	19M7407	Cap Screw	1		M8 X 25, SUB FOR J900825
31	19M7938	Cap Screw	4		M10 X 20, SUB FOR J901020
32	19M7402	Cap Screw	3		M10 X 25, SUB FOR J901025, Not Illustrated
33	19M7662	Cap Screw	2		M10 X 30, SUB FOR J901030
34	24M7055	Washer	1		8,400 X 16 X 1,600 mm, SUB FOR A590108
35	24M7346	Washer	9		11 X 20 X 2 mm, SUB FOR DH400703
36	H224073	Tie Band	3		
37	AN209168	Swivel	1		
38	4341877	Channel	1		
39	FF552295	Bracket	1		

Pilot Lines, Pilot Signal Manifold to Left Pilot Controller (- 340456)

TX1089799 B.1



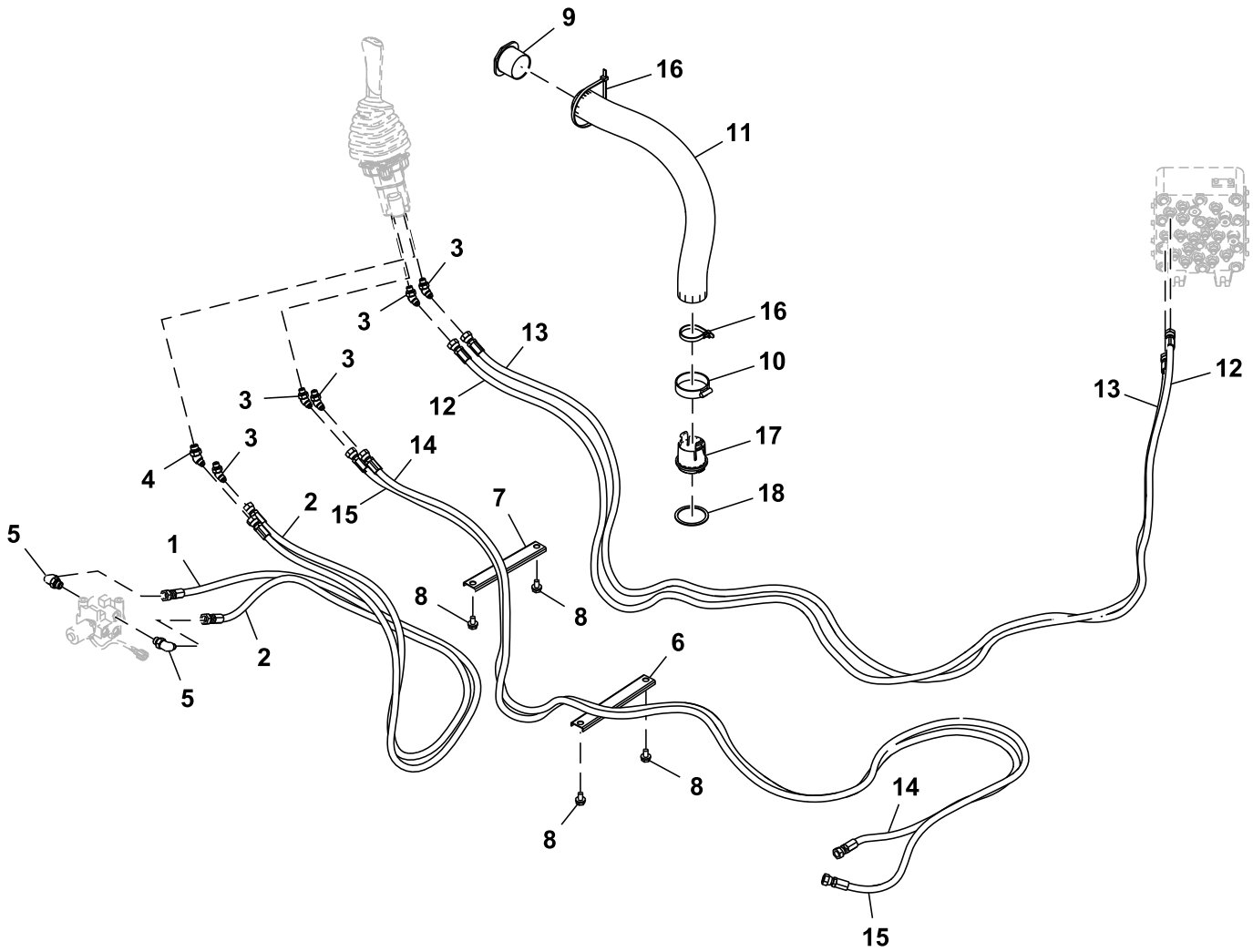
TX1089799

33 Backhoe and Excavator
3363 Lines, Hoses and Fittings

Key	Part No.	Part Name	Qty.	Serial No.	Remarks
0	4707581	Hose	1		
1	4707585	Hose	1		
2	A852223	Elbow Fitting	5		INCLUDES 957366
	957366	O-Ring	1		
3	A852233	Elbow Fitting	1		INCLUDES 4297380
	4297380	O-Ring	1		
4	A852333	Elbow Fitting	2		INCLUDES 4297380
	4297380	O-Ring	1		SUB FOR 4622346, 4509180 AND 4674883
5	4465377	Hose Clamp	1		
6	4436124	Clamp	1		
7	Screw With Washer	6		J271020 NLA
	19M7938	Cap Screw	6		M10 X 20, SUB FOR J901020
	24M7346	Washer	6		11 X 20 X 2 mm, SUB FOR J222010
8	3079728	Bushing	1		
9	4351774	Clamp	1		
10	4341877	Channel	1		
11	4629782	Hose Guard	1		
12	4707576	Hose	1		
13	4643180	Hose	1		SUB FOR 4629707
14	4681879	Hose	1		
15	4707578	Hose	1		
16	9765409	Bracket	1		
17	H77698	Tie Band	1		SUB FOR 4323613
18	FYA00000261	Bushing	1		
19	FYA00000262	Spacer	1		
20	H77698	Tie Band	1		SUB FOR 4121859

Pilot Lines, Pilot Signal Manifold to Left Pilot Controller (340457 -)

TX1252143 A.1

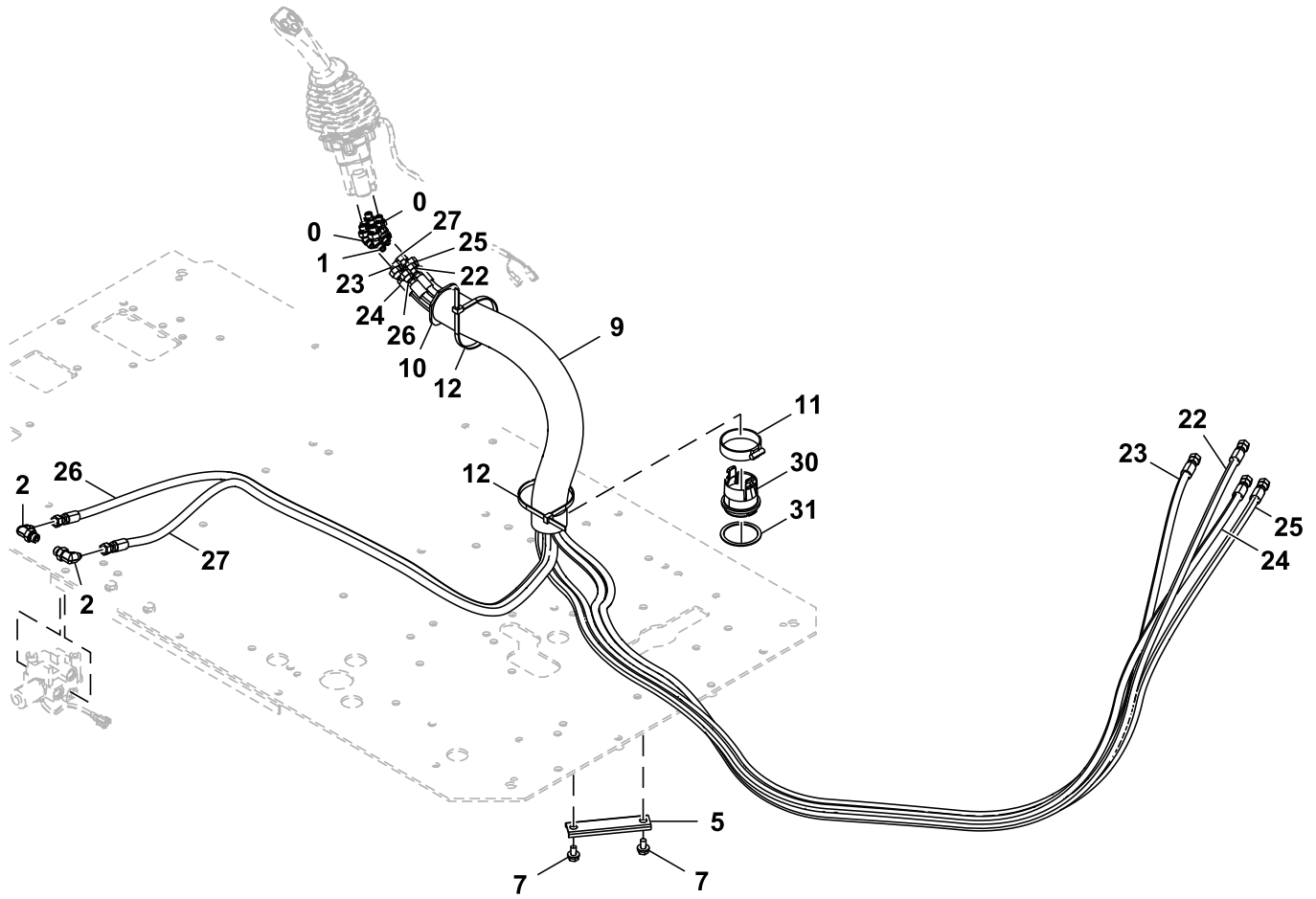


YA60057404_TX1252143

Key	Part No.	Part Name	Qty.	Serial No.	Remarks
1	4707581	Hose	1		
2	4707585	Hose	1		
3	A852223	Elbow Fitting	5		
4	A852233	Elbow Fitting	1		
5	A852333	Elbow Fitting	2		
6	4465377	Hose Clamp	1		
7	4436124	Clamp	1		
8	Screw With Washer	4		J271020 NLA
	24M7346	Washer	4		11 X 20 X 2 mm, SUB FOR J222010
	19M7938	Cap Screw	4		M10 X 20, SUB FOR J901020
9	3079728	Bushing	1		
10	4351774	Clamp	1		
11	4629782	Hose Guard	1		
12	4415478	Hydraulic Hose	1		SUB FOR 4686391; FYA60057388 NLA
13	4707814	Hose	1		SUB FOR 4707813
14	4475999	Hose	1		FYA60033011 NLA
15	4666801	Hydraulic Hose	1		
16	H77698	Tie Band	2		SUB FOR 4121859
17	FYA00000261	Bushing	1		
18	FYA00000262	Spacer	1		

Pilot Lines, Pilot Signal Manifold to Right Pilot Controller (- 340456)

TX1089803 B.1

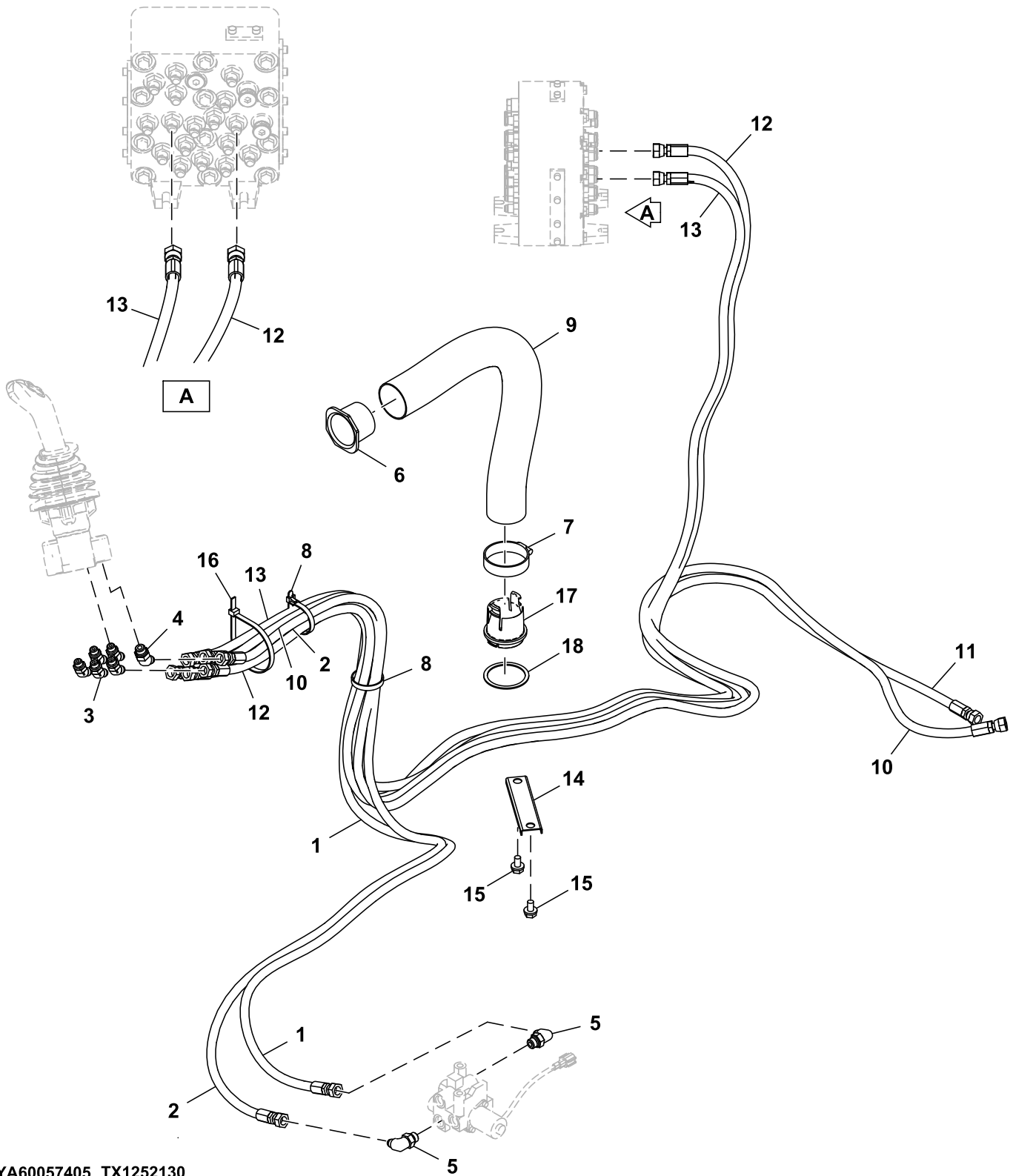


TX1089803

Key	Part No.	Part Name	Qty.	Serial No.	Remarks
0	A852223	Elbow Fitting	5		INCLUDES 957366
	957366	O-Ring	1		
1	4190244	Elbow Fitting	1		SUB FOR A852233, INCLUDES 4297380
	4297380	O-Ring	1		SUB FOR 4622346 OR 4509180
2	A852333	Elbow Fitting	2		INCLUDES 4297380
	4297380	O-Ring	1		SUB FOR 4622346 OR 4509180
5	4342692	Channel	1		
7	Screw With Washer	2		J271020 NLA
	19M7938	Cap Screw	2		M10 X 20, SUB FOR J901020
	24M7346	Washer	2		11 X 20 X 2 mm, SUB FOR J222010
9	4629782	Hose Guard	1		
10	3079728	Bushing	1		
11	4351774	Clamp	1		
12	H77698	Tie Band	2		SUB FOR 4121859
22	4661819	Hydraulic Hose	1		
23	4660551	Hydraulic Hose	1		
24	4477670	Hose	1		
25	4656030	Hose	1		
26	4713021	Hose	1		
27	4713022	Hose	1		
30	FYA00000261	Bushing	1		
31	FYA00000262	Spacer	1		

Pilot Lines, Pilot Signal Manifold to Right Pilot Controller (340457 -)

TX1252130 A.1

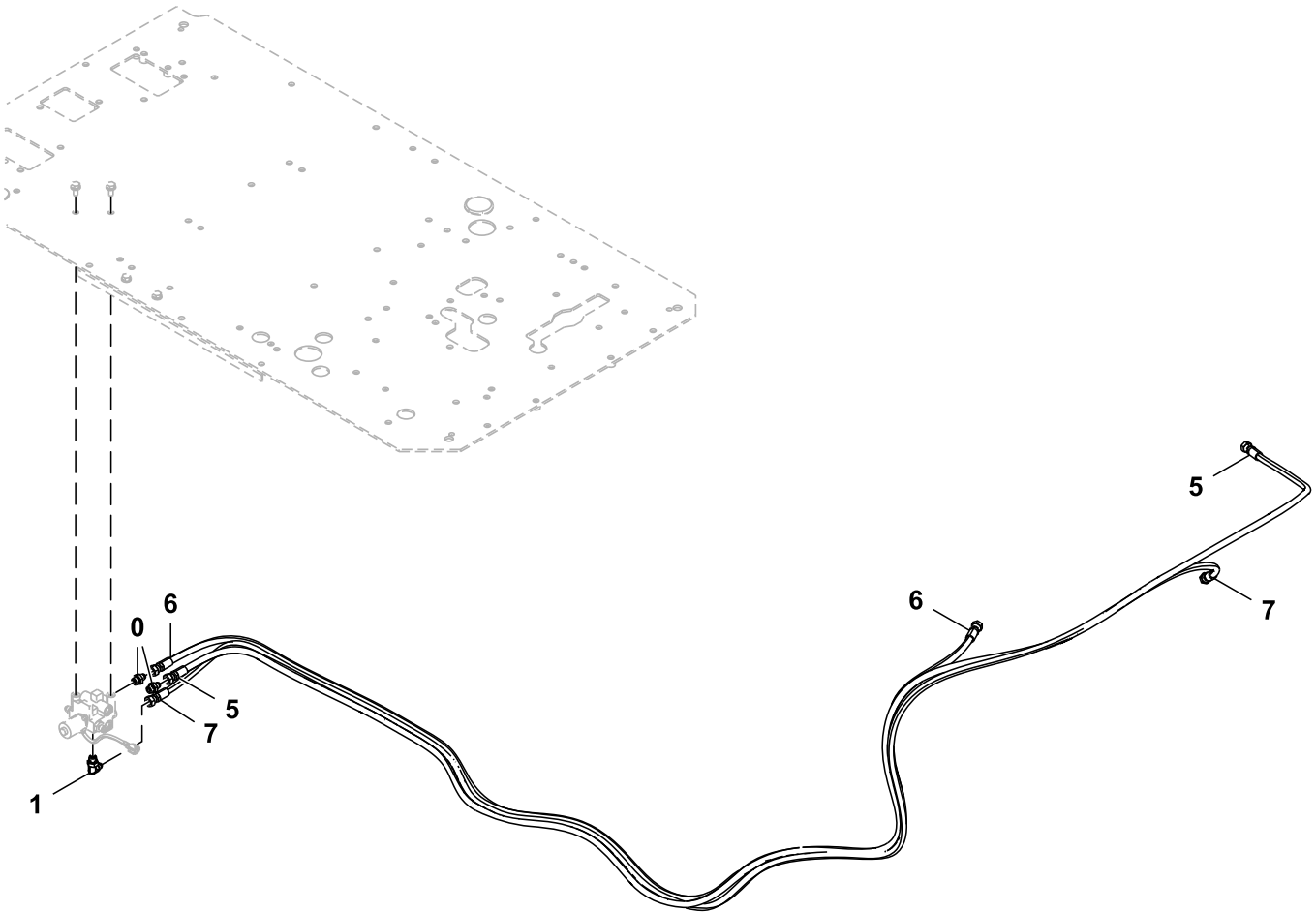


YA60057405_TX1252130

Key	Part No.	Part Name	Qty.	Serial No.	Remarks
1	4713022	Hose	1		
2	4713021	Hose	1		
3	A852223	Elbow Fitting	5		
4	A852233	Elbow Fitting	1		
5	A852333	Elbow Fitting	2		
6	3079728	Bushing	1		
7	4351774	Clamp	1		
8	H77698	Tie Band	3		SUB FOR 4121859
9	4629782	Hose Guard	1		
10	4701773	Hydraulic Hose	1		FYA60033010 NLA
11	4348505	Hydraulic Hose	1		FYA60057389 NLA
12	4716237	Hydraulic Hose	1		
13	4701773	Hydraulic Hose	1		FYA60057390 NLA
14	4342692	Channel	1		
15	Screw With Washer	2		J271020 NLA
	24M7346	Washer	2		11 X 20 X 2 mm, SUB FOR J222010
	19M7938	Cap Screw	2		M10 X 20, SUB FOR J901020
16	FYA00000261	Bushing	1		
17	FYA00000262	Spacer	1		

Pilot Lines, Pilot Signal Manifold To Pilot Shutoff Valve (- 340456)

TX1089804 B.1

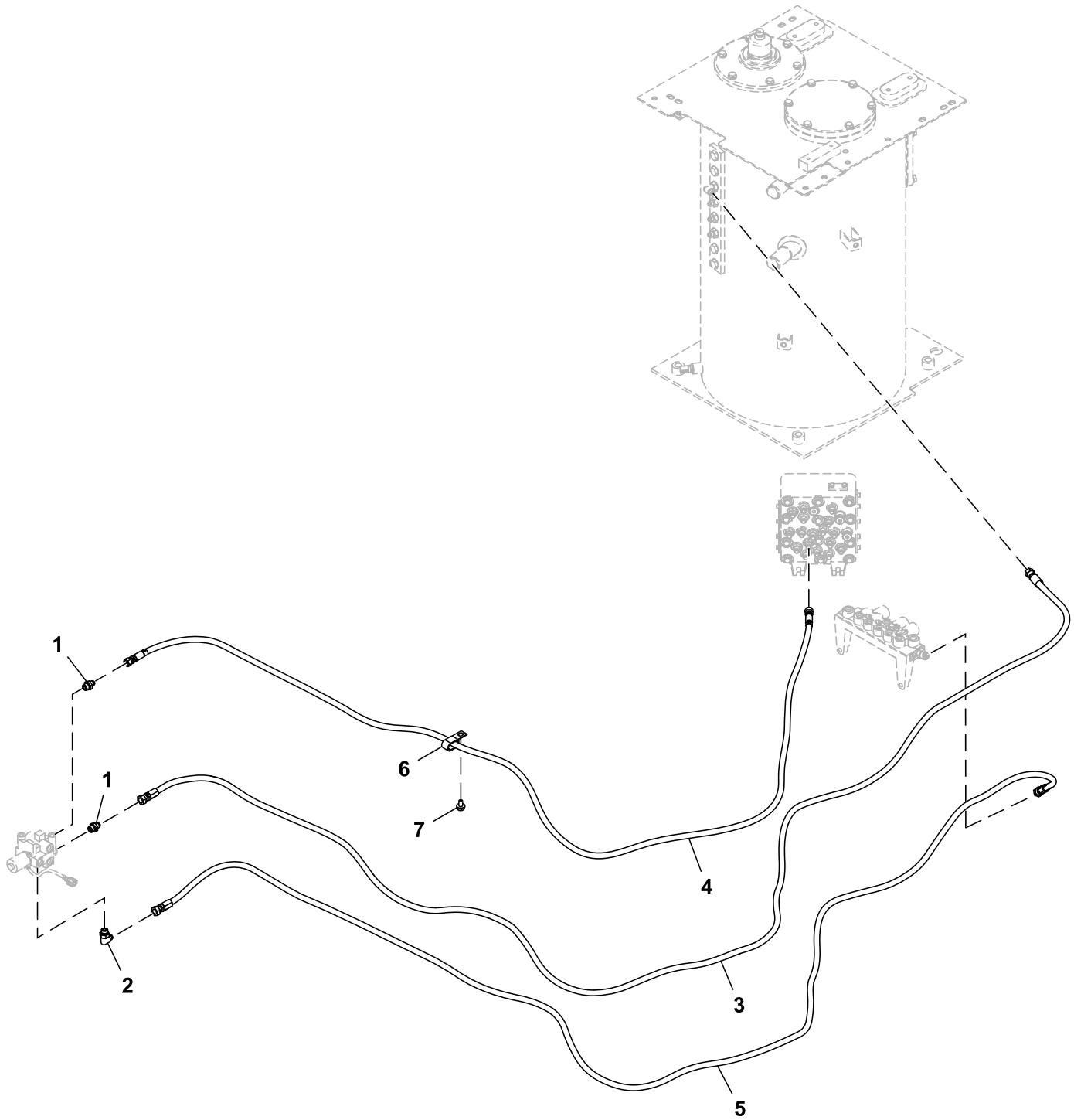


TX1089804

Key	Part No.	Part Name	Qty.	Serial No.	Remarks
0	A852133	Adapter Fitting	2		INCLUDES 4297380
	4297380	O-Ring	1		SUB FOR 4622346, 4509180 AND 4674883
1	A852333	Elbow Fitting	1		INCLUDES 4297380
	4297380	O-Ring	1		SUB FOR 4622346, 4509180 AND 4674883
5	4719393	Hose	1		
6	4719395	Hose	1		
7	4719394	Hose	1		

Pilot Lines, Pilot Signal Manifold To Pilot Shutoff Valve (340457 -)

TX1252056 B.1

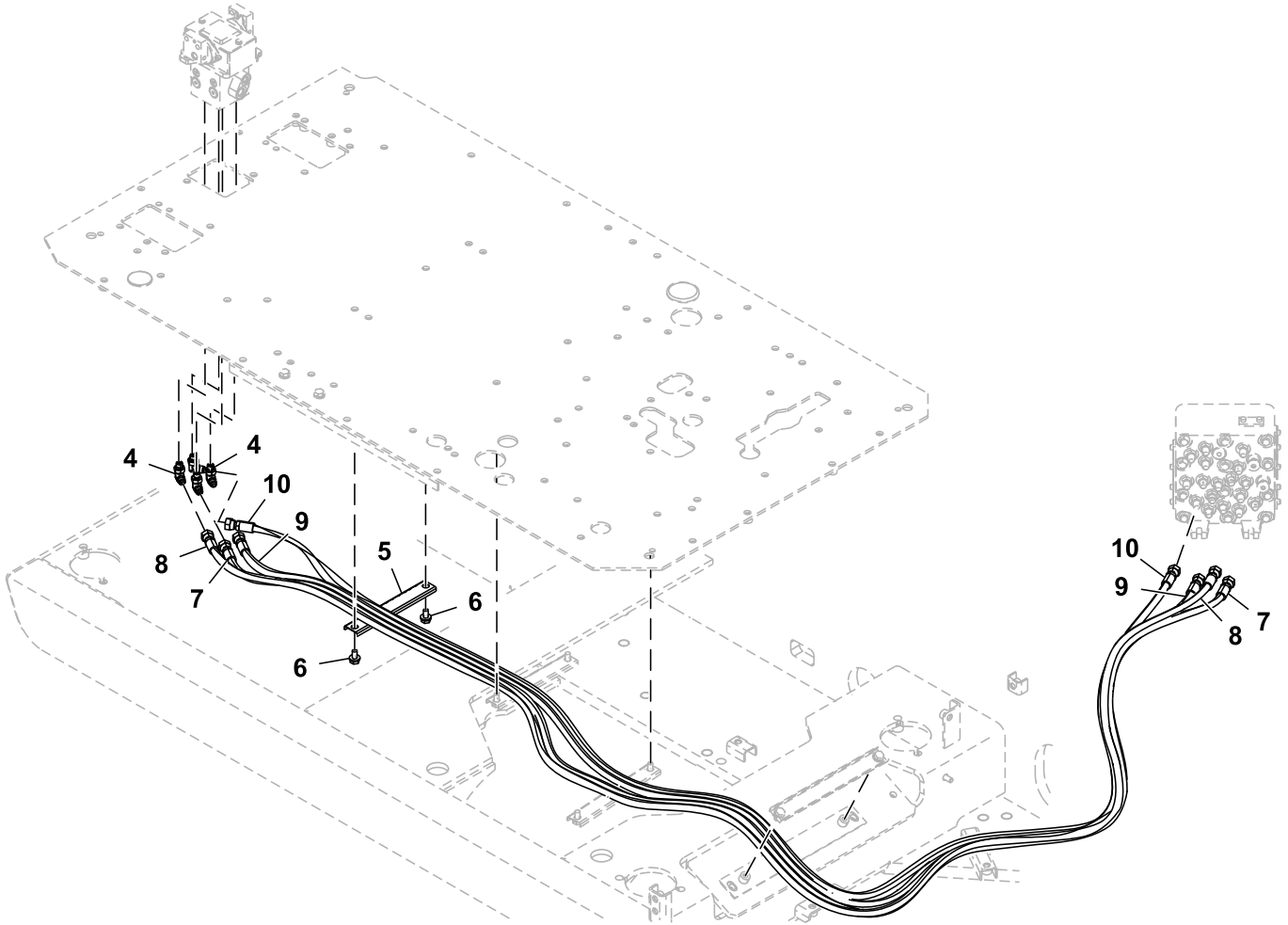


YA60057403_TX1252056

<i>Key</i>	<i>Part No.</i>	<i>Part Name</i>	<i>Qty.</i>	<i>Serial No.</i>	<i>Remarks</i>
1	A852133	Adapter Fitting	2		
2	A852333	Elbow Fitting	1		
3	4691804	Hydraulic Hose	1		FYA60057387 NLA
4	4656535	Hydraulic Hose	1		
5	4699237	Hose	1		

Pilot Lines, Pilot Signal Manifold to Travel Pilot Valve (- 340456)

TX1088964 C.1

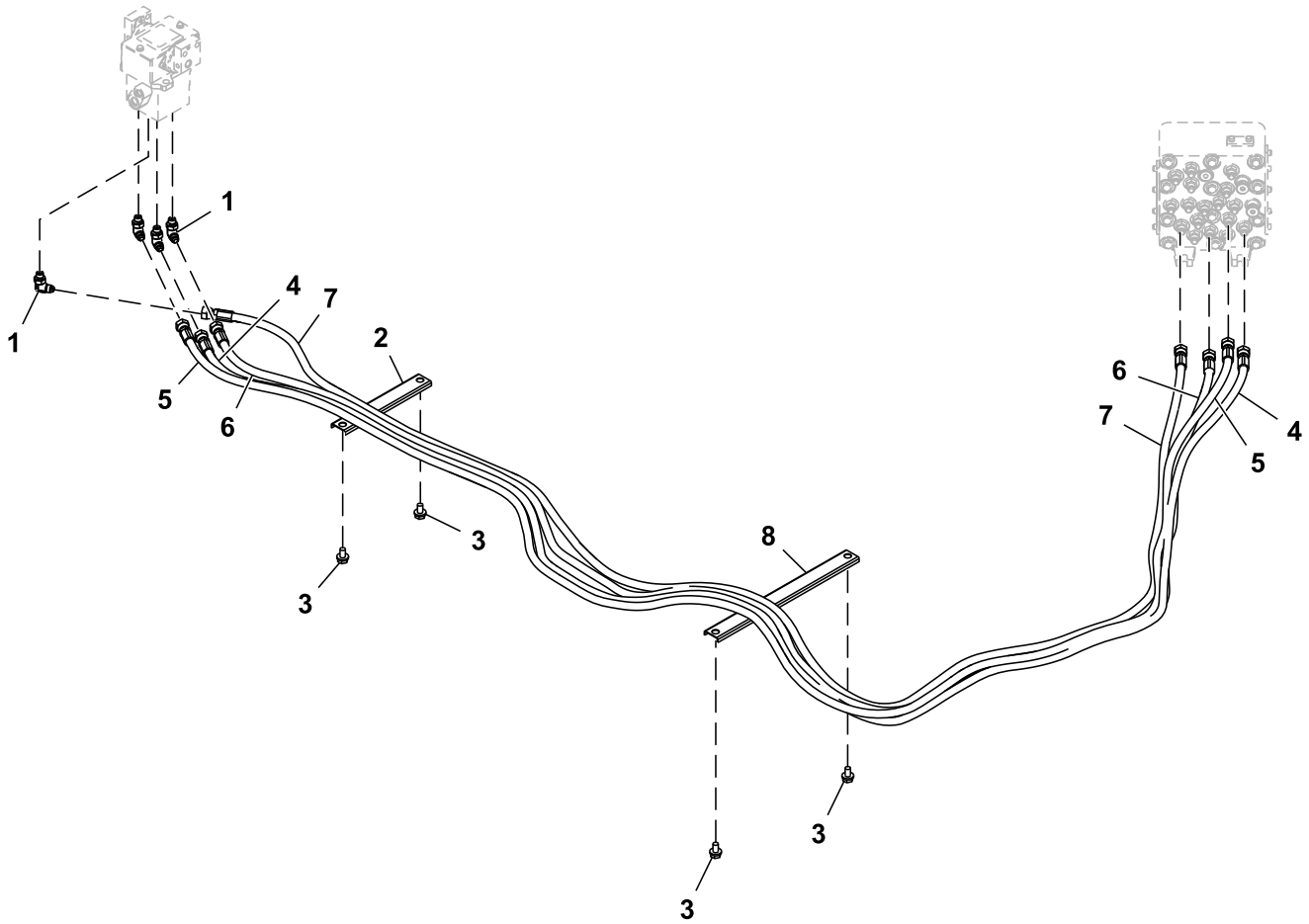


TX1088964

Key	Part No.	Part Name	Qty.	Serial No.	Remarks
4	A852323	Elbow Fitting	4		INCLUDES 957366
	957366	O-Ring	1		
5	4436124	Clamp	1		
6	Screw With Washer	2		J271020 NLA
	19M7938	Cap Screw	2		M10 X 20, SUB FOR J901020
	24M7346	Washer	2		11 X 20 X 2 mm, SUB FOR J222010
7	4655171	Hose	1		
8	4639629	Hose	1		
9	4719387	Hose	1		
10	4719388	Hose	1		

Pilot Lines, Pilot Signal Manifold to Travel Pilot Valve (340457 -)

TX1252057 A.1

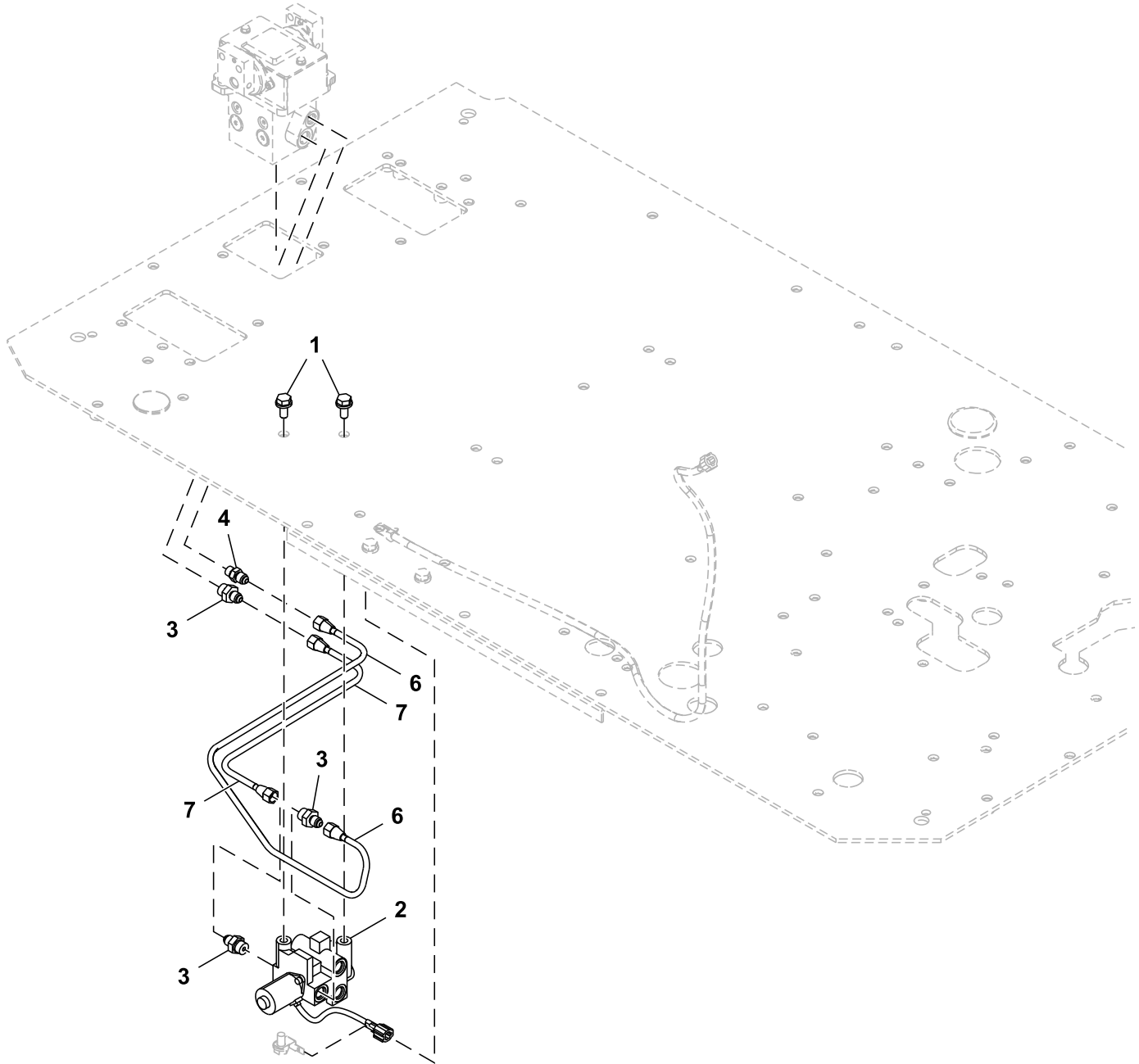


YA60057402_TX1252057

Key	Part No.	Part Name	Qty.	Serial No.	Remarks
1	A852323	Elbow Fitting	4		
2	4436124	Clamp	1		
3	Screw With Washer	4		J271020 NLA
	19M7938	Cap Screw	4		M10 X 20, SUB FOR J901020
	24M7346	Washer	4		11 X 20 X 2 mm, SUB FOR J222010
4	4672433	Hydraulic Hose	1		
5	4375306	Hose	1		FYA60057385 NLA
6	Hose	1		4666803 NLA
7	Hose	1		4661974 NLA
8	4474337	Hose Clamp	1		

Pilot Lines, Travel Pilot Valve To Pilot Shutoff Valve (- 340456)

TX1089798 C.1

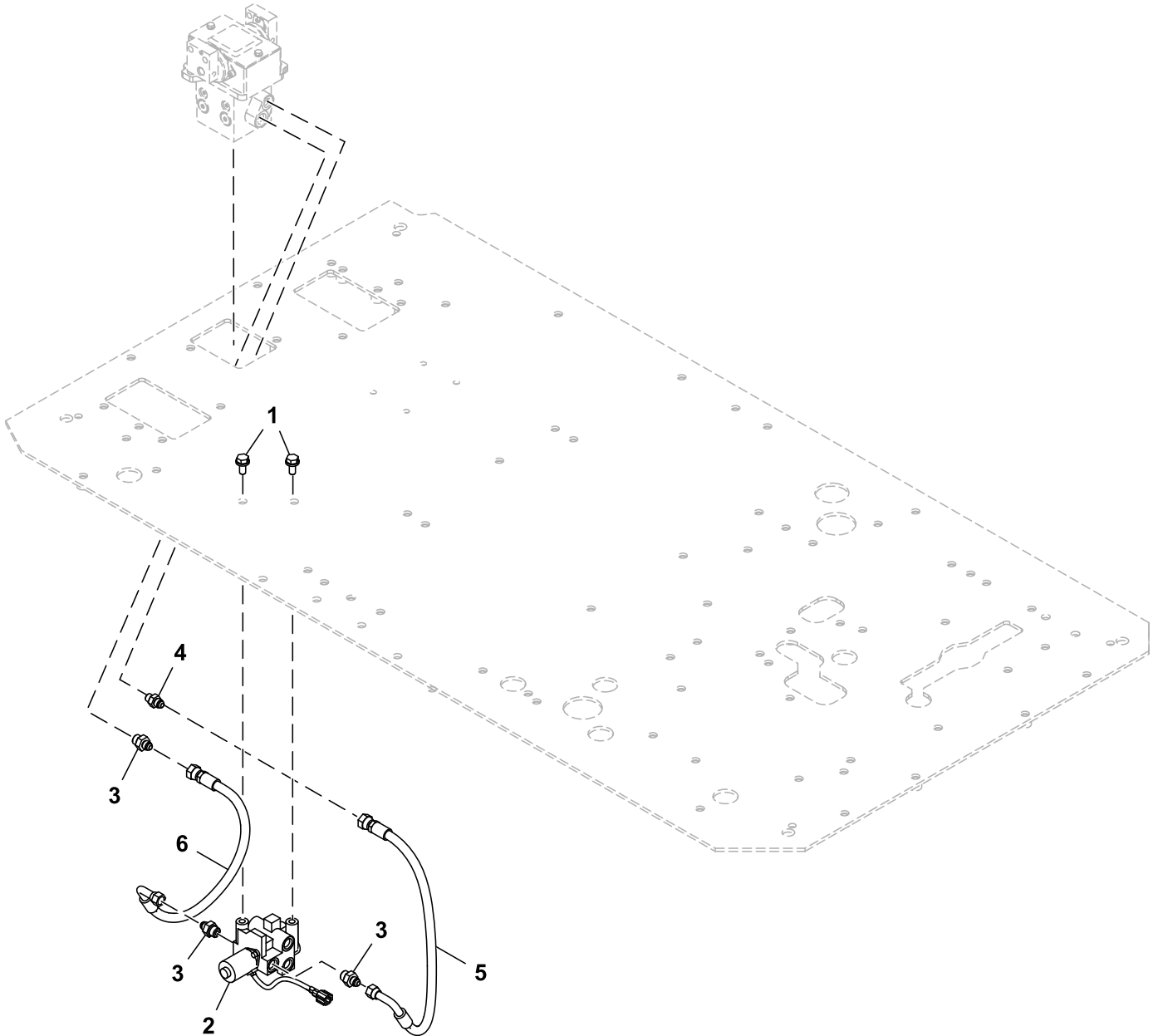


TX1089798

Key	Part No.	Part Name	Qty.	Serial No.	Remarks
1 19M7402 24M7346	Screw With Washer Cap Screw Washer	2 2 2		J271025 NLA M10 X 25, SUB FOR J901025 11 X 20 X 2 mm, SUB FOR J222010
2	4609630	Valve	1		Pilot Shutoff Valve, Components On Separate Page
3	4255305 4297380	Fitting O-Ring	3 1		INCLUDES 4297380 SUB FOR 4622346, 4509180 AND 4674883
4	4255304 957366	Fitting O-Ring	1 1		INCLUDES 957366
6	4705203	Pipe	1		
7	4705202	Pipe	1		

Pilot Lines, Travel Pilot Valve To Pilot Shutoff Valve (340457 -)

TX1252102 A.1

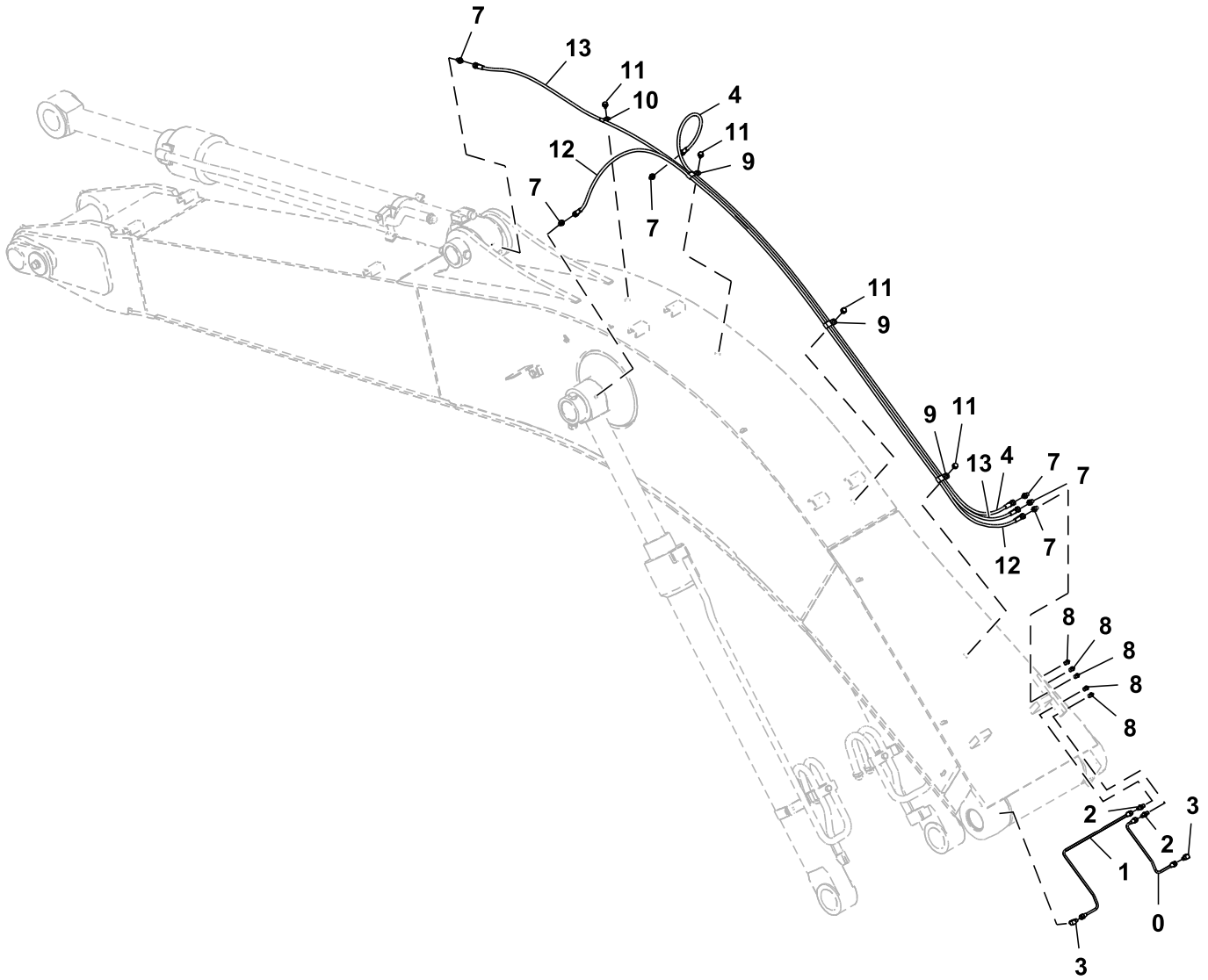


YA60053625_TX1252102

Key	Part No.	Part Name	Qty.	Serial No.	Remarks
1 19M7402 24M7346	Screw With Washer Cap Screw Washer	2 2 2		J271025 NLA M10 X 25, SUB FOR J901025 11 X 20 X 2 mm, SUB FOR J222010
2	4609630	Valve	1		Pilot Shutoff Valve, Components On Separate Page
3	A852133	Adapter Fitting	3		
4	A852123	Adapter Fitting	1		
5	FYA00002788	Hose	1		
6	4726439	Hose	1		

Lubrication Lines

TX1103786 B.1

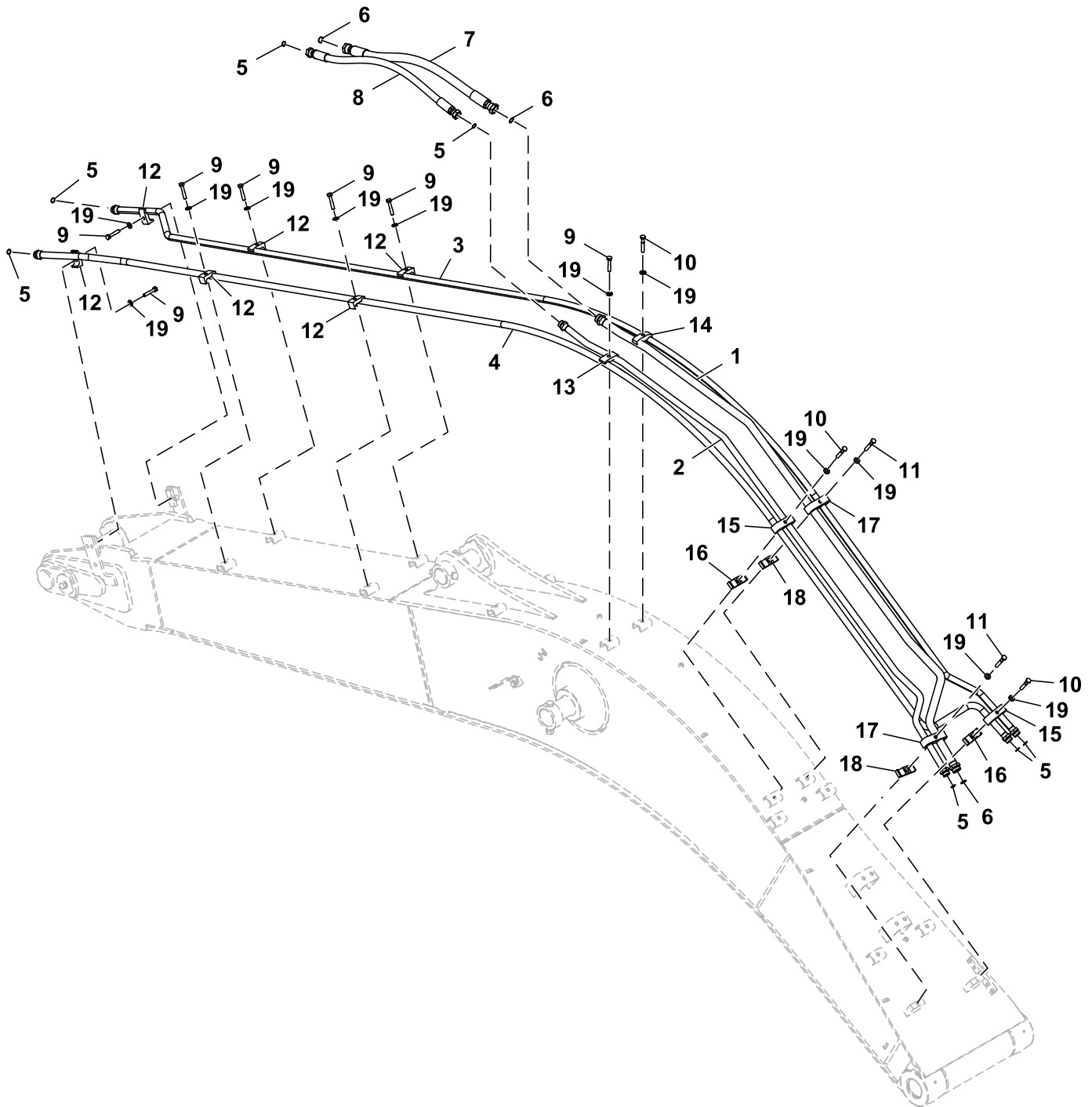


TX1103786

Key	Part No.	Part Name	Qty.	Serial No.	Remarks
0	4361000	Oil Line	1		
1	4370555	Line	1		
2	4360981	Adapter Fitting	2		
3	4345297	Elbow Fitting	2		
4	4447713	Hydraulic Hose	1		
7	4154651	Adapter Fitting	6		
8	JD7769	Lubrication Fitting	5		SUB FOR J75482
9	T152608	Clamp	3		SUB FOR 4252877
10	4190261	Clip	1		
11	Screw With Washer	4		J271016 NLA
	19M8324	Cap Screw	4		M10 X 16, SUB FOR J901016
	24M7346	Washer	4		11 X 20 X 2 mm, SUB FOR J222012 OR DH400704
12	4483563	Hydraulic Hose	1		
13	4622684	Hydraulic Hose	1		

Boom Hydraulic Lines To Cylinders

TX1104227 B.1

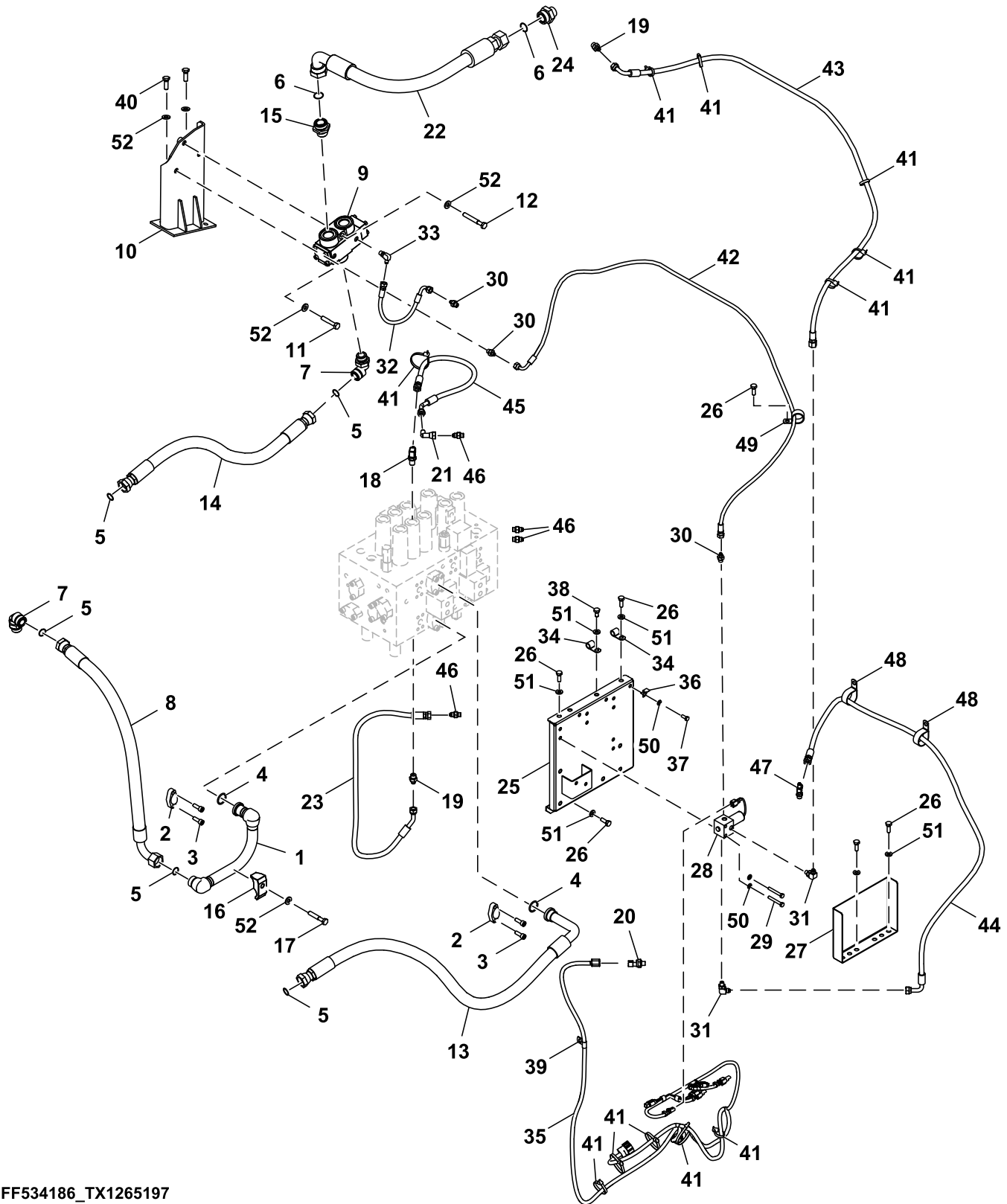


9243343_TX1104227

Key	Part No.	Part Name	Qty.	Serial No.	Remarks
1	9156686H	Line	1		SUB FOR 8062625H
2	9156685H	Line	1		SUB FOR 8062624H
3	8082106H	Pipe	1		
4	8081525H	Pipe	1		
5	T77858	O-Ring	7		SUB FOR 4187308
6	T76938	O-Ring	3		SUB FOR 4187328
7	4676587	Hose	1		
8	4676586	Hose	1		
9	19M8348	Cap Screw	7		M12 X 65, SUB FOR J901265
10	19M8088	Cap Screw	3		M12 X 75, SUB FOR J901275
11	19M7364	Cap Screw	2		M12 X 80, SUB FOR J901280
12	4190126	Clamp	6		
13	4189859	Clamp	1		
14	4153488	Clamp	1		
15	4463553	Hose Clamp	2		
16	AT318021	Clamp	2		SUB FOR 4285722
17	4463554	Hose Clamp	2		
18	AT309596	Clamp	2		SUB FOR 4285724
19	DH400704	Washer	12		

Main Body High Flow Auxiliary Lines (- 340890)

TX1265197 A.2

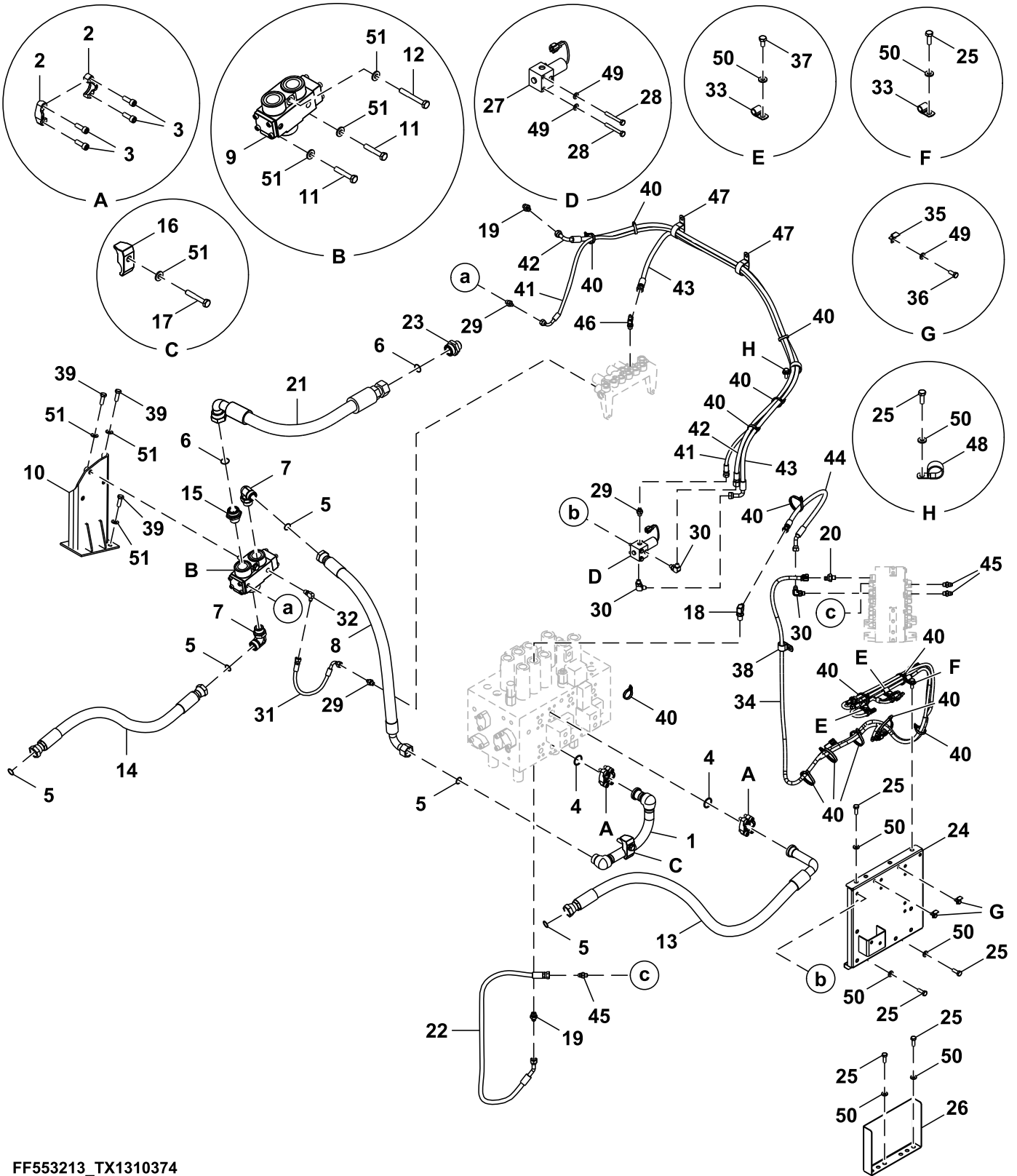


FF534186_TX1265197

Key	Part No.	Part Name	Qty.	Serial No.	Remarks
1	8100955	Pipe	1		
2	H61354	Flange Fitting	4		SUB FOR Z962453
3	19M7576	Screw	8		M10 X 30, SUB FOR J781030
4	966993	O-Ring	2		SUB FOR Z966993
5	T76938	O-Ring	5		SUB FOR 4187328
6	T78612	O-Ring	2		SUB FOR 4187329
7	A853388	Elbow Fitting	2		
8	4308148	Hydraulic Hose	1		
9	4626057	Valve	1		
10	8100958	Bracket	1		
11	19M8348	Cap Screw	2		M12 X 65, SUB FOR J901265
12	19M7943	Cap Screw	1		M12 X 90, SUB FOR J901290
13	4638014	Hydraulic Hose	1		9263210 NLA; ALSO ORDER (3) 4327294
14	Hose Guard	3		4327294 NLA; MAKE FROM XHG-075, CTL
14	4275675	Hydraulic Hose	1		9154207 NLA; ALSO ORDER (3) 4327294
15	Hose Guard	3		4327294 NLA; MAKE FROM XHG-075, CTL
15	4205196	Adapter Fitting	1		
16	4190127	Clamp	1		
17	19M7753	Cap Screw	1		M12 X 70, SUB FOR J901270
18	4208913	Adapter Fitting	1		
19	A852133	Adapter Fitting	2		
20	4436535	Sensor	1		
21	4239976	Union Fitting	1		
22	4416382	Hydraulic Hose	1		
23	4654406	Hydraulic Hose	1		
24	A853180	Adapter Fitting	1		
25	7049580	Bracket	1		
26	19M7662	Cap Screw	7		M10 X 30, SUB FOR J901030
27	FF500924	Cover	1		
28	4729022	Solenoid Valve	1		
29	19M6451	Cap Screw	2		M8 X 60, SUB FOR J900860
30	A852122	Adapter Fitting	3		
31	A852323	Elbow Fitting	2		
32	4470393	Hose	1		
33	4154670	Elbow Fitting	1		SUB FOR A852322
34	4190275	Clamp	3		
35	3106815	Wiring Harness	1		
36	4602634	Bracket	3		SUB FOR 4257159
37	19M7881	Screw	3		M8 X 20, SUB FOR J900820
38	19M7938	Cap Screw	2		M10 X 20, SUB FOR J901020
39	4190261	Clip	1		
40	19M7403	Cap Screw	3		M12 X 35, SUB FOR J901235
41	DH400240	Tie Band	11		
42	FF107418	Hydraulic Hose	1		
43	4668866	Hydraulic Hose	1		SUB FOR DH401069
44	FF532274	Hydraulic Hose	1		
45	4453063	Hydraulic Hose	1		
46	A852123	Adapter Fitting	4		
47	4239712	Tee Fitting	1		
48	4193848	Clip	2		
49	4193848	Clip	1		SUB FOR 4190264
50	24M7055	Washer	5		8.400 X 16 X 1.600 mm, SUB FOR A590108
51	24M7346	Washer	9		11 X 20 X 2 mm, SUB FOR DH400703
52	DH400704	Washer	7		

Main Body High Flow Auxiliary Lines (340891 -)

TX1310374 A.1



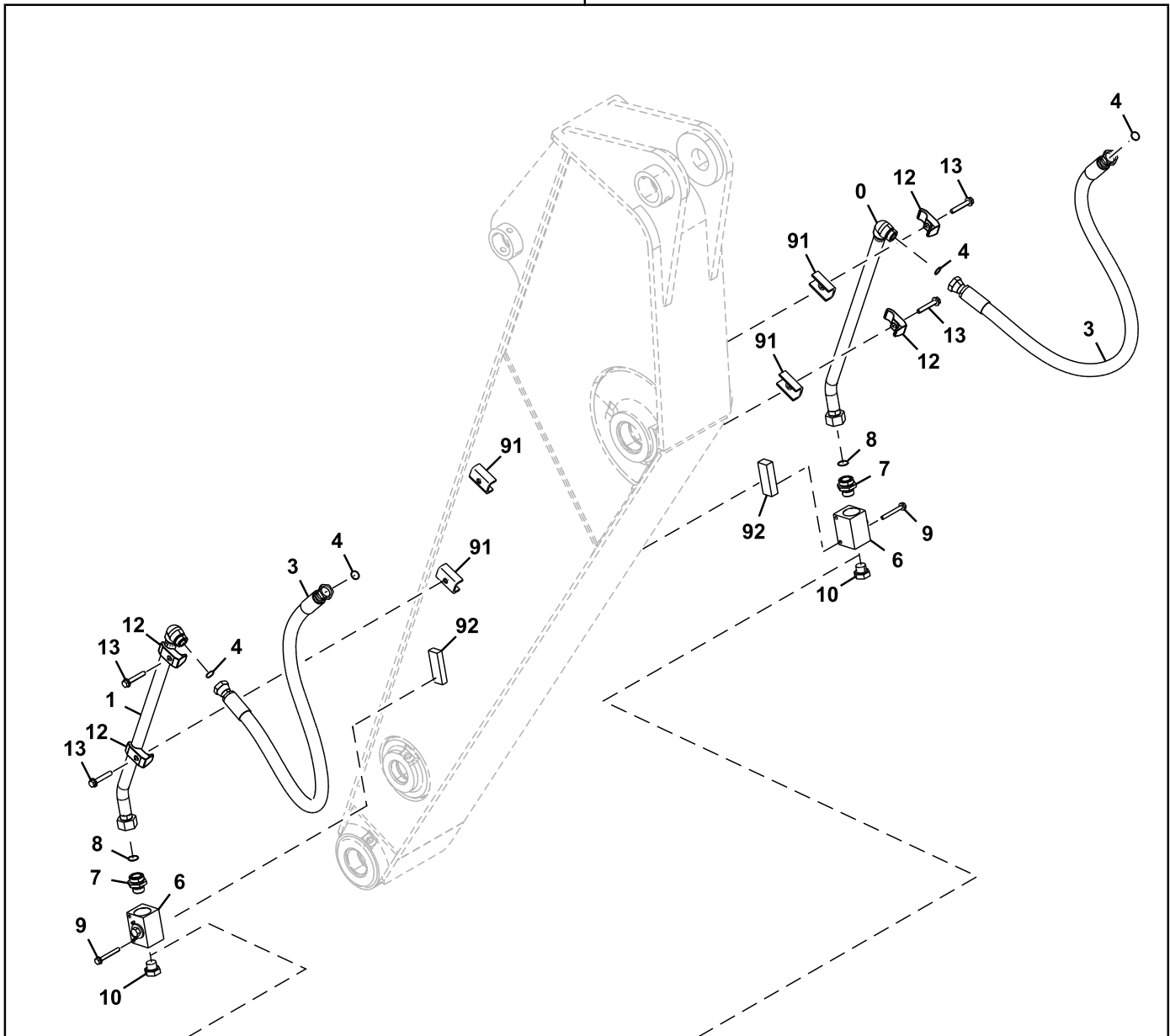
FF553213_TX1310374

Key	Part No.	Part Name	Qty.	Serial No.	Remarks
1	8100955	Pipe	1		
2	H61354	Flange Fitting	4		SUB FOR Z962453
3	19M7576	Screw	8		M10 X 30, SUB FOR J781030
4	966993	O-Ring	2		SUB FOR Z966993
5	T76938	O-Ring	5		SUB FOR 4187328
6	T78612	O-Ring	2		SUB FOR 4187329
7	A853388	Elbow Fitting	2		
8	4308148	Hydraulic Hose	1		Fabricate
9	4626057	Valve	1		Selector Valve
10	8100958	Bracket	1		
11	19M8348	Cap Screw	2		M12 X 65, SUB FOR J901265
12	19M7943	Cap Screw	1		M12 X 90, SUB FOR J901290
13	4638014	Hydraulic Hose	1		ALSO ORDER XHG-075, 9263210 NLA
14	Hose Guard	1		Fabricate, MAKE FROM XHG-075, CTL; 4327294 NLA
15	4205196	Hydraulic Hose	1		ALSO ORDER XHG-075, 9154207 NLA
16	4190127	Hose Guard	1		MAKE FROM XHG-075, CTL; 4327294 NLA
17	19M7753	Adapter Fitting	1		
18	4208913	Adapter Fitting	1		M12 X 70, SUB FOR J901270
19	A852133	Adapter Fitting	2		
20	4436535	Sensor	1		Travel Pressure Sensor
21	4416382	Hydraulic Hose	1		
22	4654406	Hydraulic Hose	1		Fabricate
23	A853180	Adapter Fitting	1		
24	7049580	Bracket	1		
25	19M7662	Cap Screw	7		M10 X 30, SUB FOR J901030
26	FF500924	Cover	1		
27	4729022	Solenoid Valve	1		
28	19M6451	Cap Screw	2		M8 X 60, SUB FOR J900860
29	A852122	Adapter Fitting	3		
30	A852323	Elbow Fitting	3		
31	4470393	Hose	1		
32	4154670	Elbow Fitting	1		SUB FOR A852322
33	4190275	Clamp	3		
34	FYA00070474	Wiring Harness	1		Auxiliary Functions
35	4602634	Bracket	2		SUB FOR 4257159
36	19M7881	Screw	2		M8 X 20, SUB FOR J900820
37	19M7938	Cap Screw	2		M10 X 20, SUB FOR J901020
38	FYA00049125	Clip	1		SUB FOR 4190263
39	19M7403	Cap Screw	3		M12 X 35, SUB FOR J901235
40	DH400240	Tie Band	14		
41	FF107418	Hydraulic Hose	1		Fabricate
42	4668866	Hydraulic Hose	1		SUB FOR DH401069
43	FF532274	Hydraulic Hose	1		Fabricate
44	4453063	Hydraulic Hose	1		Fabricate
45	A852123	Adapter Fitting	3		
46	4239712	Tee Fitting	1		
47	4193848	Clip	2		
48	4193848	Clip	1		SUB FOR 4190264
49	24M7055	Washer	4		8.400 X 16 X 1.600 mm, SUB FOR A590108
50	24M7346	Washer	9		11 X 20 X 2 mm, SUB FOR DH400703
51	DH400704	Washer	7		

Arm High Flow Auxiliary Lines, Short

TX1104233 B.2

93



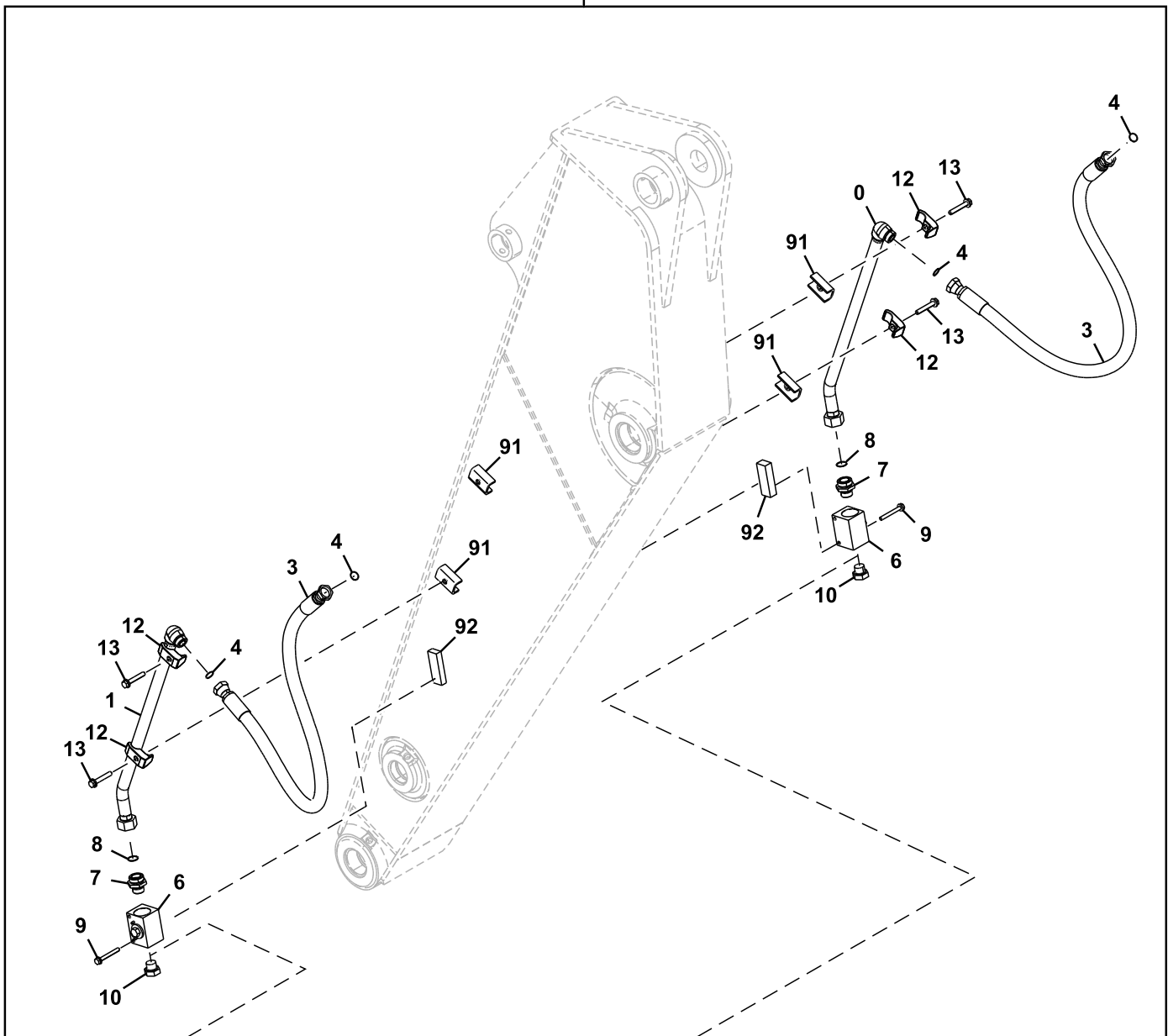
TX1104233

Key	Part No.	Part Name	Qty.	Serial No.	Remarks
0	8087257H	Pipe	1		SUB FOR 8087257
1	8087377H	Pipe	1		SUB FOR 8087377
3	4628902	Hydraulic Hose	2		
4	T76938	O-Ring	4		SUB FOR 4187328
6	4447675	Flow Control Hyd. Valve	2		
7	4205196	Adapter Fitting	2		INCLUDES TH101926
	TH101926	O-Ring	1		28.700 X 3.500 mm (1.130" X 0.138"), SUB FOR 4506429
8	T78612	O-Ring	2		SUB FOR 4187329
9	Screw With Washer	4		J271085 NLA
	19M8197	Cap Screw	4		M10 X 85, SUB FOR J901085
	24M7346	Washer	4		11 X 20 X 2 mm, SUB FOR J222010
10	A885008	Pipe Plug	2		INCLUDES TH101926
	TH101926	O-Ring	1		28.700 X 3.500 mm (1.130" X 0.138"), SUB FOR 4506429
12	4190127	Clamp	4		SUB FOR TH108313
13	Screw With Washer	4		J271275 NLA
	19M8767	Screw	4		M12 X 75, SUB FOR J901275
	24M7047	Washer	4		13 X 24 X 2.500 mm
22	TH101926	O-Ring	2		28.700 X 3.500 mm (1.130" X 0.138")
23	4189535	Adapter Fitting	2		1 in., ORFS
	AT318016	Adapter Fitting	2		.75 in, ORFS, SUB FOR 4189537
	AT301151	Fitting	2		1 in., SAE, Male
	X1216F4OMXS	Adapter Fitting	2		.75 in, 37 Degrees
	X16F4OMXS	Adapter Fitting	2		1 in., 37 Degrees
	AT305641	Fitting	2		.75 in, SAE, Male
24	R29936	O-Ring	2		
25	X1JS782016	Hose Fitting	2		Hose End - Straight 1.25 in.x 1 in.
	X1J9782016	Elbow Fitting	2		
26	AT186111	Quick Coupler	1		1 in. Female Screw Together Coupler
27	AT186114	Plug	1		
28	AT117364	Hydr. Quick Coupler Socket	2		Female Quick Coupler (-12) 1 1/16 SAE O -Ring
	AT120499	Coupling	2		Female Quick Coupler (-16) 1 5/16 SAE O -Ring
29	AT117365	Hydr. Quick Coupler Plug	2		Male Quick Coupler (-12) 1 1/16 SAE O -Ring
	AT120498	Coupling	2		Male Quick Coupler (-16) 1 5/16 SAE O -Ring
30	AT186112	Quick Coupler	1		1 in. Male Screw Together Coupler
31	AT186113	Cap	1		
91	9763817	Weld Nut	4		
92	4429829	Weld Nut	2		
93	AT390761	Field Installation Kit	1		2.42 m, Whole Goods, Arm High Flow Auxiliary Lines, , Additional Components On Separate Pages

Arm High Flow Auxiliary Lines, 2.91 m (9.55 ft) (- 340456)

TX1104233 B.2

93



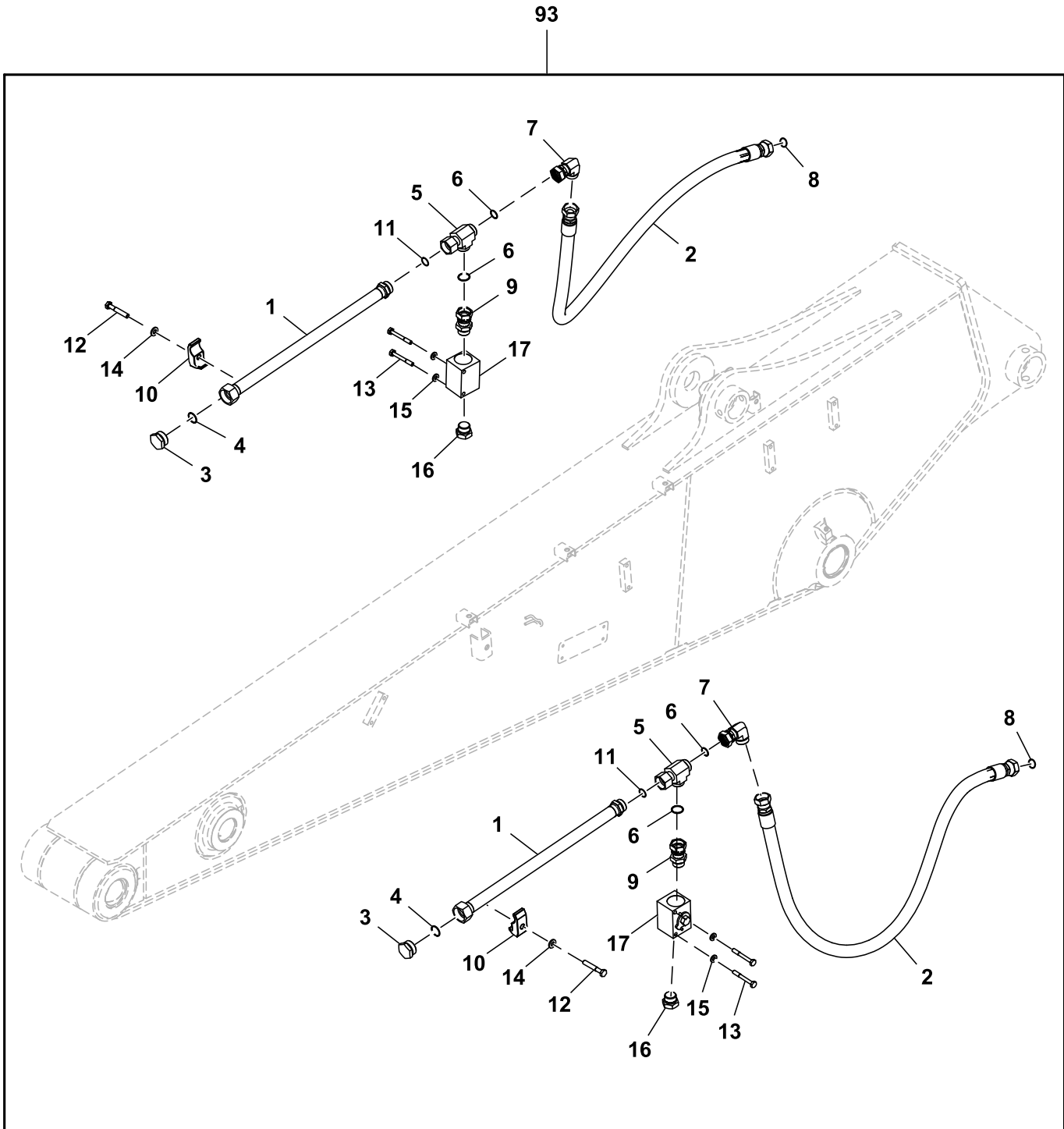
TX1104233

**33 Backhoe and Excavator
3363 Lines, Hoses and Fittings**

Key	Part No.	Part Name	Qty.	Serial No.	Remarks
0	8084097H	Oil Line	1		SUB FOR 8084097
1	8083882H	Oil Line	1		SUB FOR 8083882
3	4628902	Hydraulic Hose	2		
4	T76938	O-Ring	4		SUB FOR 4187328
6	4447675	Flow Control Hyd. Valve	2		
7	4205196	Adapter Fitting	2		INCLUDES TH101926
	TH101926	O-Ring	1		SUB FOR 4506429
8	T78612	O-Ring	2		SUB FOR 4187329
9	Screw With Washer	4		J271275 NLA
	19M8197	Cap Screw	4		M10 X 85, SUB FOR J901085
	24M7346	Washer	4		11 X 20 X 2 mm, SUB FOR J222010
10	A885008	Pipe Plug	2		SUB FOR THA885008; INCLUDES TH101926
	TH101926	O-Ring	1		SUB FOR 4506429
12	4190127	Clamp	4		SUB FOR TH108313
13	Screw With Washer	4		J271275 NLA
	19M8088	Cap Screw	4		M12 X 75, SUB FOR J901275
	24M7345	Washer	4		13.500 X 24 X 2.500 mm, SUB FOR J222012
22	TH101926	O-Ring	2		
23	4189535	Adapter Fitting	2		1 in., ORFS
	AT318016	Adapter Fitting	2		.75 in, ORFS, SUB FOR 4189537
	AT301151	Fitting	2		1 in., SAE, Male
	X1216F4OMXS	Adapter Fitting	2		.75 in, 37 Degrees
	X16F4OMXS	Adapter Fitting	2		1 in., 37 Degrees
	AT305641	Fitting	2		.75 in, SAE, Male
24	R29936	O-Ring	2		
25	X1JS782016	Hose Fitting	2		Hose End - Straight 1.25 in.x 1 in.
	X1J9782016	Elbow Fitting	2		
26	AT186111	Quick Coupler	1		1 in. Female Screw Together Coupler
27	AT186114	Plug	1		
28	AT117364	Hydr. Quick Coupler Socket	2		Female Quick Coupler (-12) 1 1/16 SAE O -Ring
	AT120499	Coupling	2		Female Quick Coupler (-16) 1 5/16 SAE O -Ring
29	AT117365	Hydr. Quick Coupler Plug	2		Male Quick Coupler (-12) 1 1/16 SAE O -Ring
	AT120498	Coupling	2		Male Quick Coupler (-16) 1 5/16 SAE O -Ring
30	AT186112	Quick Coupler	1		1 in. Male Screw Together Coupler
31	AT186113	Cap	1		
91	9763817	Weld Nut	4		
92	4429829	Weld Nut	2		
93	Field Installation Kit	1		2.91 m (9.55 ft), AT390760 NLA, Whole Goods, Arm High Flow Auxiliary Lines, Additional Components On Separate Pages

Arm High Flow Auxiliary Lines, 2.91 m (9.55 ft) (340457 - 340890)

TX1250299 C.1

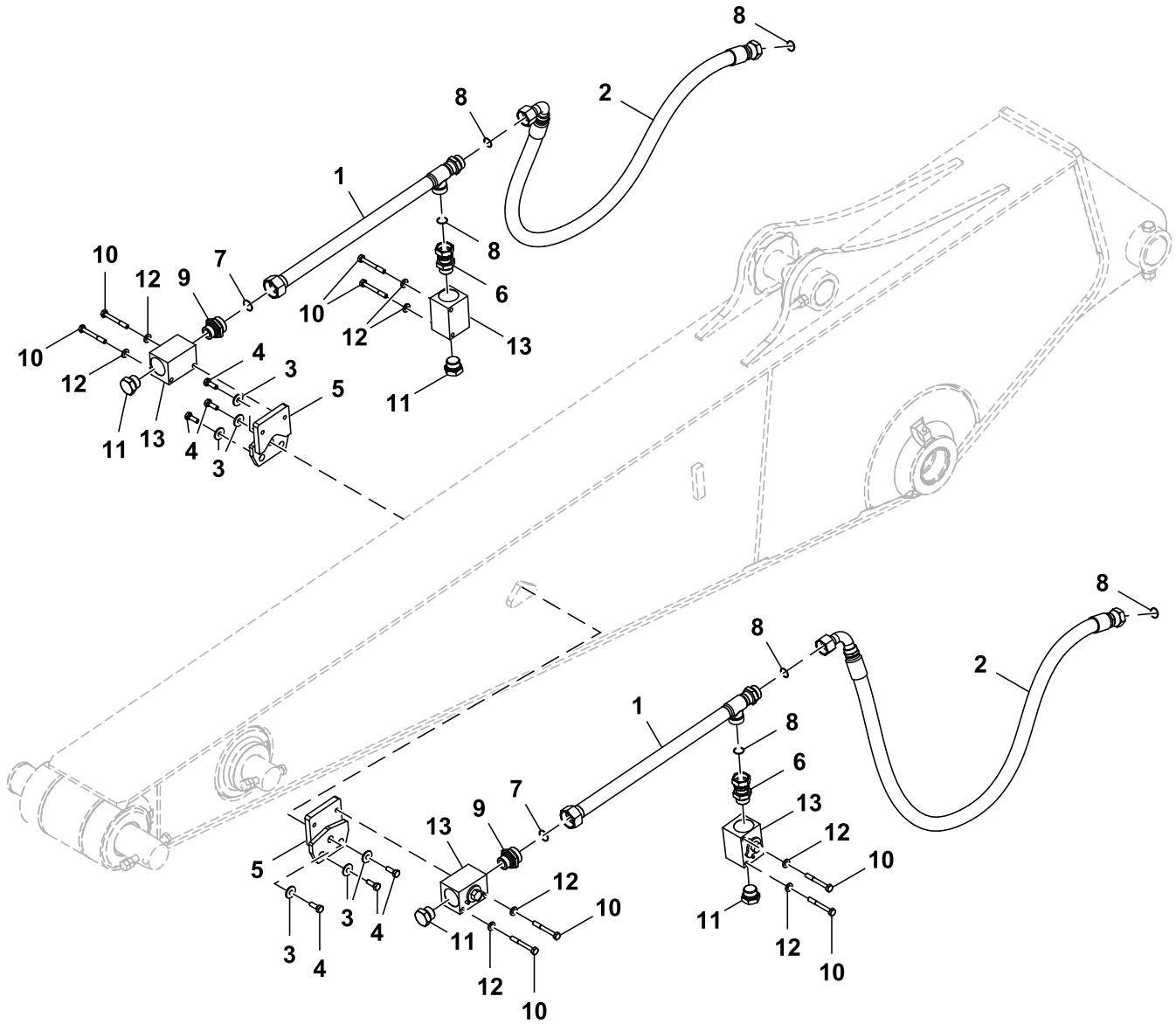


FF551244_TX1250299

Key	Part No.	Part Name	Qty.	Serial No.	Remarks
1	FF535549	Pipe	2		SUB FOR FF551245
2	4628902	Hydraulic Hose	2		
3	38H1151	Fitting Plug	2		
4	T78612	O-Ring	2		
5	38H1002	Tee Fitting	2		
6	T76938	O-Ring	2		
7	38H1098	Elbow Fitting	2		
8	T76938	O-Ring	2		
9	AT452759	Adapter Fitting	2		
10	4190127	Clamp	2		
11	T76938	O-Ring	2		SUB FOR 4187328
12	19M8088	Cap Screw	2		M12 X 75, SUB FOR J901275
13	19M8081	Cap Screw	4		M10 X 80, SUB FOR J901080
14	DH400704	Washer	2		
15	24M7346	Washer	4		11 X 20 X 2 mm, SUB FOR DH400703
16	A885008	Pipe Plug	2		
17	4447675	Flow Control Hyd. Valve	1		SUB FOR 4600164
93	Field Installation Kit	1		AT390760 NLA, Whole Goods, Arm High Flow Auxiliary Lines, Additional Components On Separate Pages

Arm High Flow Auxiliary Lines, 2.91 m (9.55 ft) (340891 -)

TX1310596 A.1



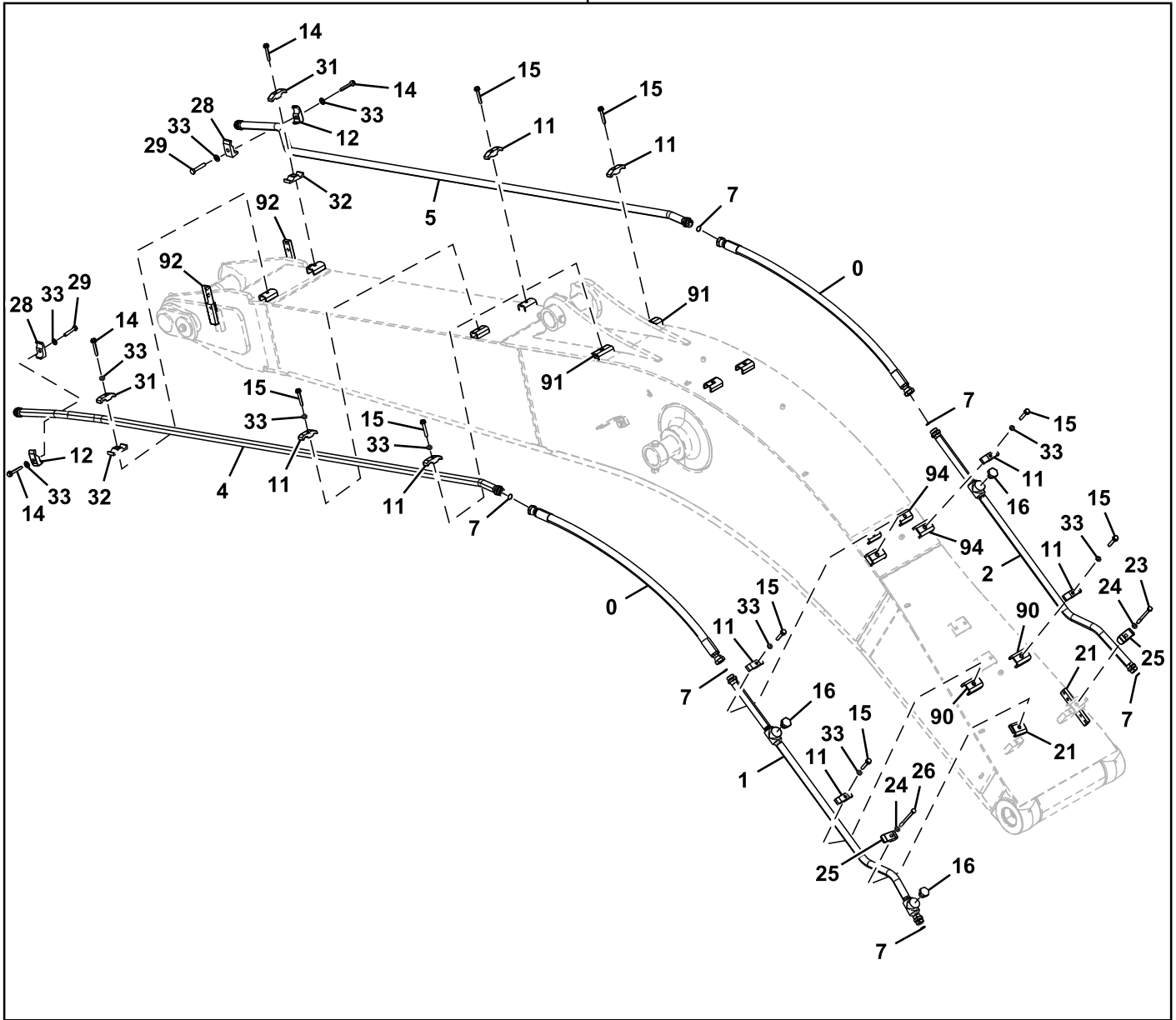
FF554503_TX1310596

Key	Part No.	Part Name	Qty.	Serial No.	Remarks
1	FF554506	Line	2		
2	FF554442	Hose	2		
3	24M7101	Washer	6		11 X 34 X 3 mm, SUB FOR J217083
4	19M7662	Cap Screw	6		M10 X 30, SUB FOR J901030
5	FF554189	Bracket	2		
6	AT452759	Adapter Fitting	2		
7	T78612	O-Ring	2		SUB FOR 4187329
8	T76938	O-Ring	6		SUB FOR 4187328
9	4205196	Adapter Fitting	2		
10	19M8081	Cap Screw	8		M10 X 80, SUB FOR J901080
11	A885008	Pipe Plug	4		
12	24M7346	Washer	8		11 X 20 X 2 mm, SUB FOR DH400703
13	4447675	Flow Control Hyd. Valve	4		Auxiliary Stop Valve

Boom High Flow Auxiliary Lines

TX1097119 B.1

95

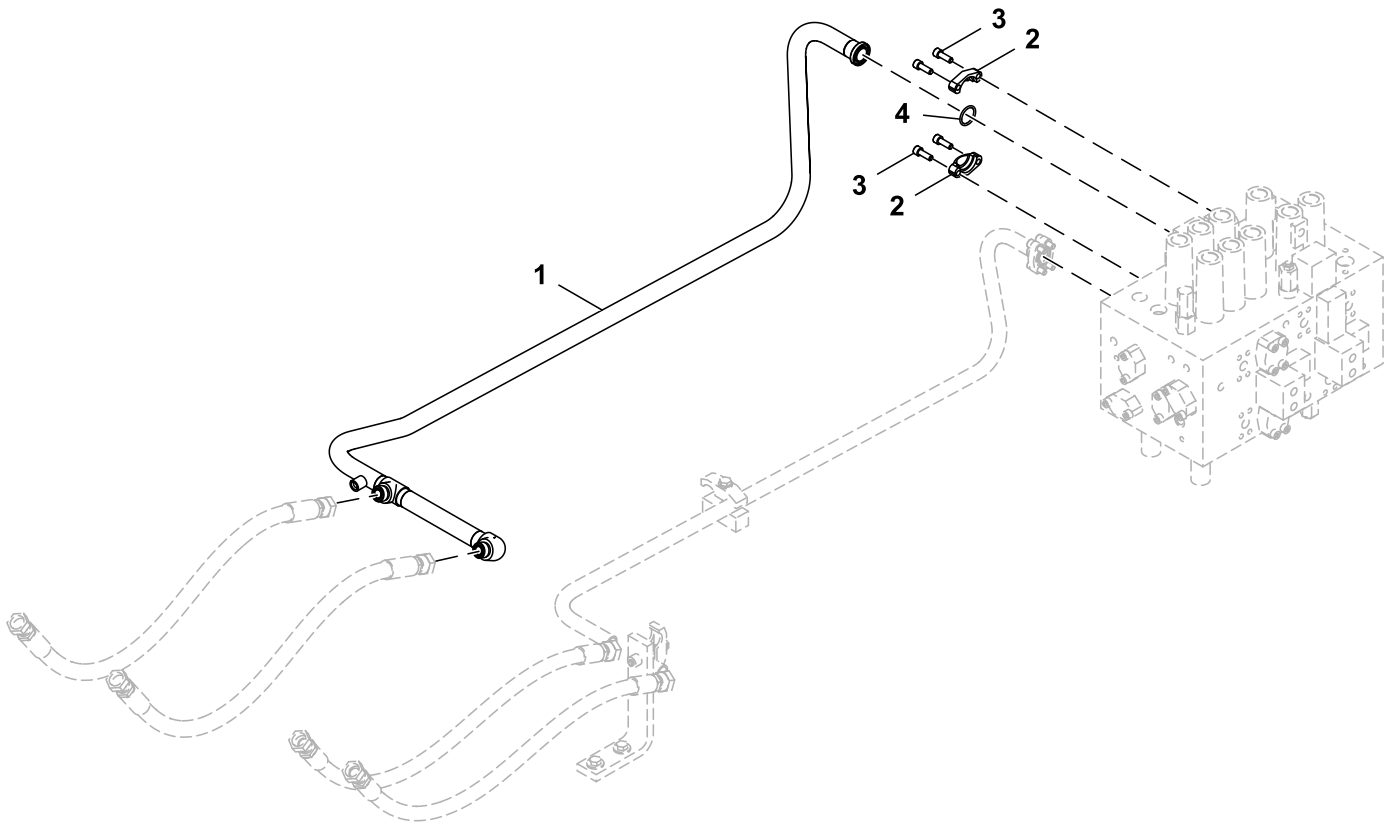


TX1097119

Key	Part No.	Part Name	Qty.	Serial No.	Remarks
0	4649213	Hydraulic Hose	2		
1	8101300H	Oil Line	1		SUB FOR 8101300
2	8101301H	Oil Line	1		SUB FOR 8101301
4	DH800081H	Oil Line	1		SUB FOR 8082052 OR 8082052H
5	DH800082H	Oil Line	1		SUB FOR 8082053 OR 8082053H
7	T76938	O-Ring	6		SUB FOR 4187328
11	4153488	Clamp	8		SUB FOR TH103780
12	4190127	Clamp	2		SUB FOR TH108313
14	Screw With Washer	4		J271280 NLA
	19M7364	Cap Screw	4		M12 X 80, SUB FOR J901280
	24M7345	Washer	4		13.500 X 24 X 2.500 mm, SUB FOR J222012
15	Screw With Washer	8		J271275 NLA
	19M8767	Screw	8		M12 X 75, SUB FOR J901275,
	24M7047	Washer	8		13 X 24 X 2.500 mm
16	A885008	Pipe Plug	3		SUB FOR THA885008; INCLUDES TH101926
	TH101926	O-Ring	3		SUB FOR 4506429
21	9764772	Bracket	2		
23	19M8061	Cap Screw	1		M12 X 140, SUB FOR J901208
24	24M7047	Washer	2		13 X 24 X 2.500 mm, SUB FOR A590112
25	4190127	Clamp	2		
26	19M8413	Cap Screw	1		M12 X 150, SUB FOR J901210
28	4190126	Clamp	2		
29	19M8348	Cap Screw	2		M12 X 65, SUB FOR J901265
31	4153488	Clamp	2		SUB FOR 4285725
32	4285724	Clamp	2		
33	DH400704	Washer	14		
90	9765007	Weld Nut	2		
91	9771315	Screw	4		SUB FOR 9765301
92	8118420	Bracket	2		SUB FOR 9765303
94	9765653R	Weld Nut	4		SUB FOR 9765653
95	AT390761	Field Installation Kit	1		2.42 m (7.94 ft), Whole Goods, Arm High Flow Auxiliary Lines, Additional Components On Separate Pages
	AT390760	Field Installation Kit	1		2.91 m (9.55 ft), Whole Goods, Arm High Flow Auxiliary Lines, Additional Components On Separate Pages

Boom Bottom Lines

TX1262339 A.1

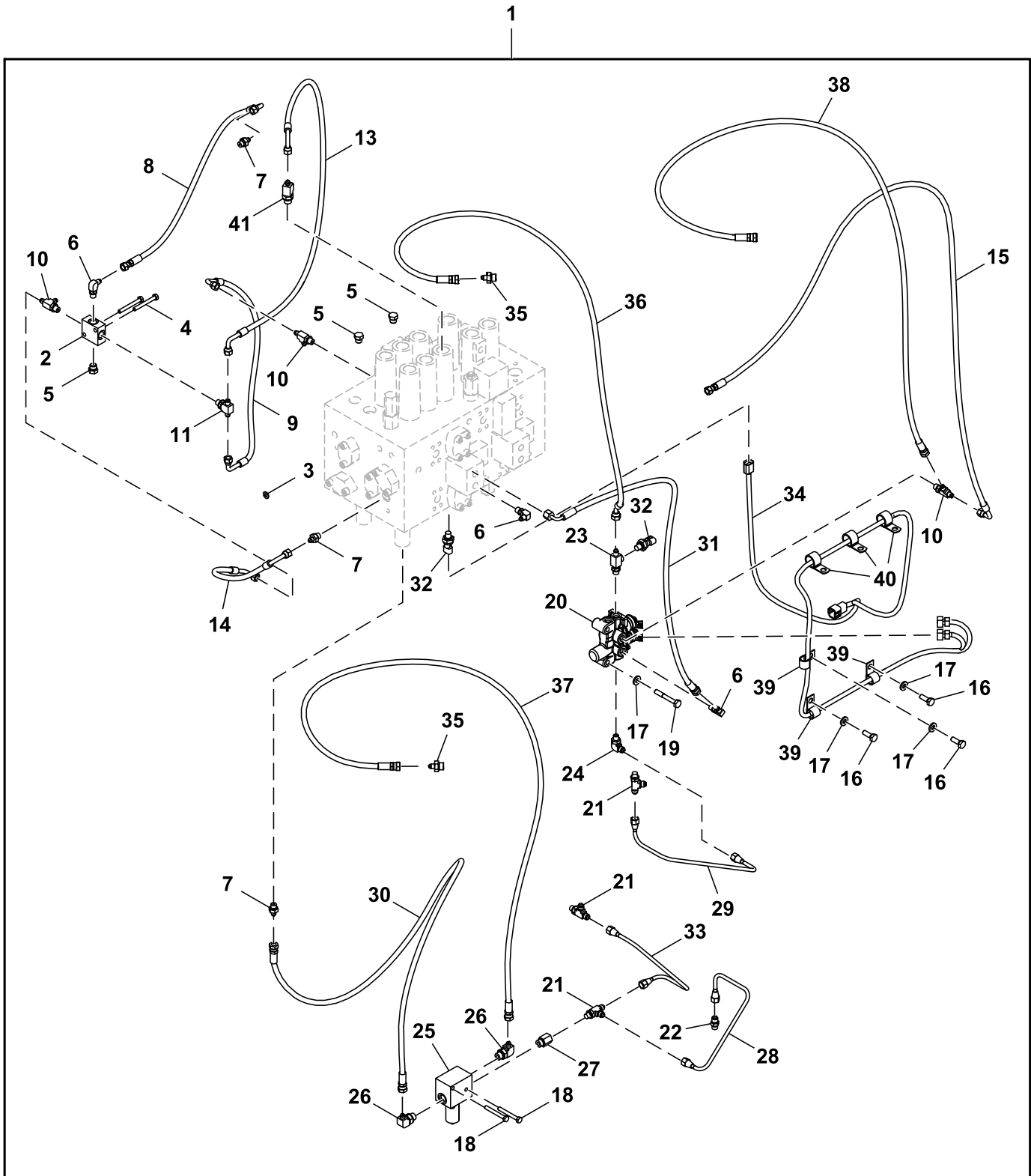


9243046_TX1262339

<i>Key</i>	<i>Part No.</i>	<i>Part Name</i>	<i>Qty.</i>	<i>Serial No.</i>	<i>Remarks</i>
1	8098306	Pipe	1		
2	H61354	Flange Fitting	2		SUB FOR Z962453
3	19M7576	Screw	4		M10 X 30, SUB FOR J781030
4	966993	O-Ring	1		SUB FOR Z966993

Two Pump Combined Flow Kit

TX1259347 A.1

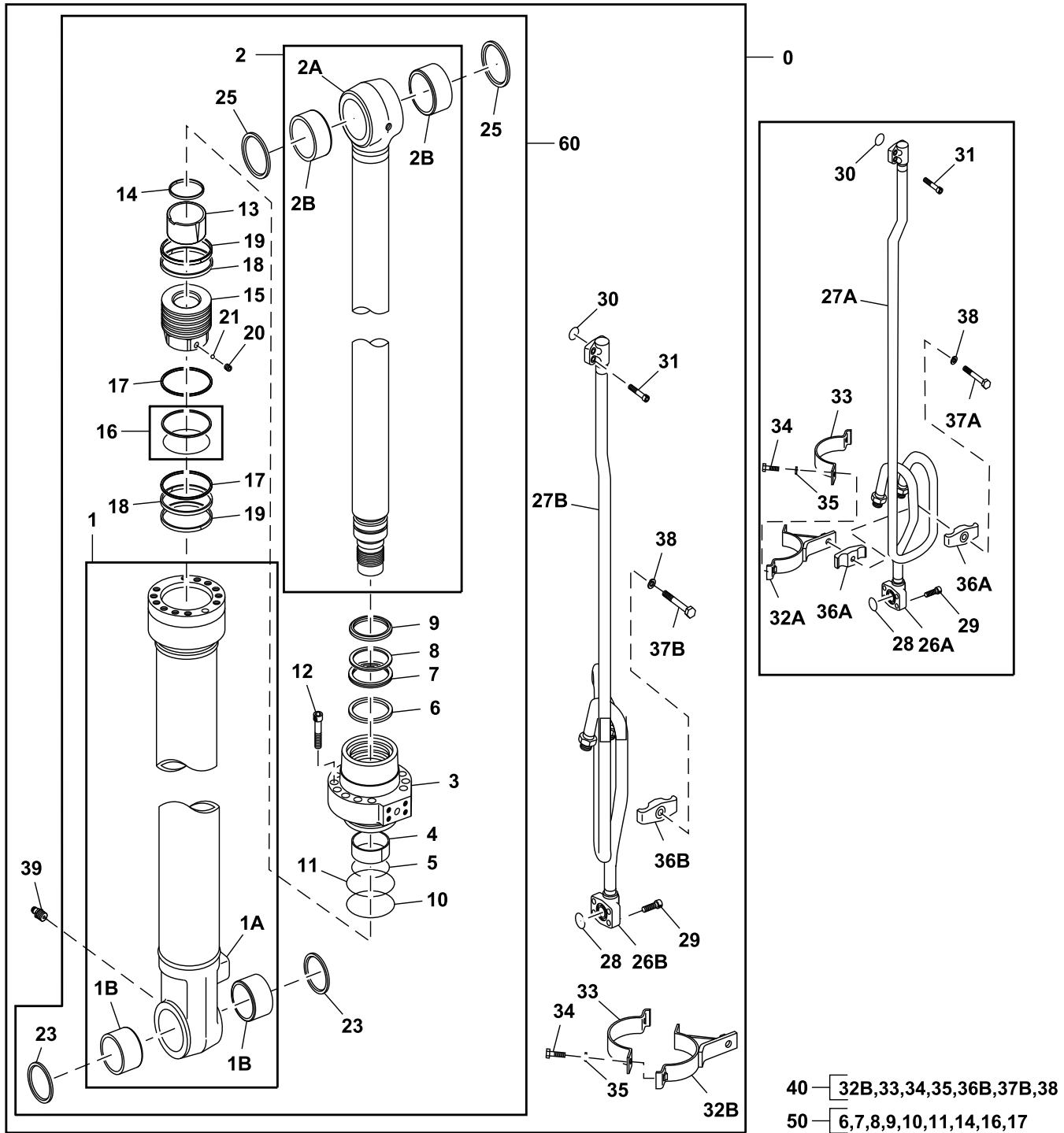


AT420919_TX1259347

Key	Part No.	Part Name	Qty.	Serial No.	Remarks
1	AT420919	Pump Kit	1		Whole Goods
2	4411001	Flow Control Hyd. Valve	1		
3	24M7055	Washer	1		8.400 X 16 X 1.600 mm, SUB FOR A590108
4	19M7274	Cap Screw	2		M8 X 70, SUB FOR J900870
5	A885002	Plug	3		
6	4154670	Elbow Fitting	3		SUB FOR A852322
7	A852122	Adapter Fitting	3		
8	4635378	Hydraulic Hose	1		
9	4648918	Hydraulic Hose	1		
10	A852422	Tee Fitting	3		
11	A852522	Tee Fitting	1		
12	AE45056	Tee Fitting	1		Not Illustrated
13	4449280	Hydraulic Hose	1		ALSO ORDER E90991; 9204549 NLA
	Hose Guard	1		MAKE FROM E90991, CTL; SUB FOR 4327293
14	4685311	Hydraulic Hose	1		
15	4276003	Hydraulic Hose	1		
16	19M7662	Cap Screw	3		M10 X 30, SUB FOR J901030
17	24M7346	Washer	5		11 X 20 X 2 mm, SUB FOR DH400703
18	19M8402	Cap Screw	2		M8 X 65, SUB FOR J900865
19	19M7875	Cap Screw	2		M10 X 70, SUB FOR J901070
20	FYB60000173	Solenoid Valve	1		SUB FOR 9218275
21	4344050	Tee Fitting	3		
22	4255304	Fitting	1		
23	AT318023	Tee Fitting	1		SUB FOR 4364784
24	4293950	Fitting	1		
25	4472347	Valve	1		Reducing
26	A852332	Elbow Fitting	2		
27	4263446	Reducer	1		
28	3104884	Pipe	1		
29	3104882	Pipe	1		
30	4648461	Hydraulic Hose	1		ALSO ORDER E90991; 9264948 NLA
	Hose Guard	1		MAKE FROM E90991, CTL 600 mm (23.6 in.)
31	9265188	Hydraulic Hose	1		
32	4436535	Sensor	2		Pressure
33	3104885	Pipe	1		
34	3106817	Wiring Harness	1		Solenoid Valve
35	A852132	Adapter Fitting	2		
36	4655783	Hydraulic Hose	1		ALSO ORDER E90991; 9265189 NLA
	Hose Guard	1		MAKE FROM E90991, CTL 600 mm (23.6 in.)
37	4655740	Hydraulic Hose	1		ALSO ORDER E90991; 9265186 NLA
	Hose Guard	1		MAKE FROM E90991, CTL 600 mm (23.6 in.)
38	4655739	Hydraulic Hose	1		ALSO ORDER E90991; 9265185 NLA
	Hose Guard	1		MAKE FROM E90991, CTL 600 mm (23.6 in.)
39	T28949	Clamp	3		SUB FOR 4190273
40	4190263	Clip	3		
41	A852432	Tee Fitting	1		

Left Boom Cylinder Components

TX1179003 A.1



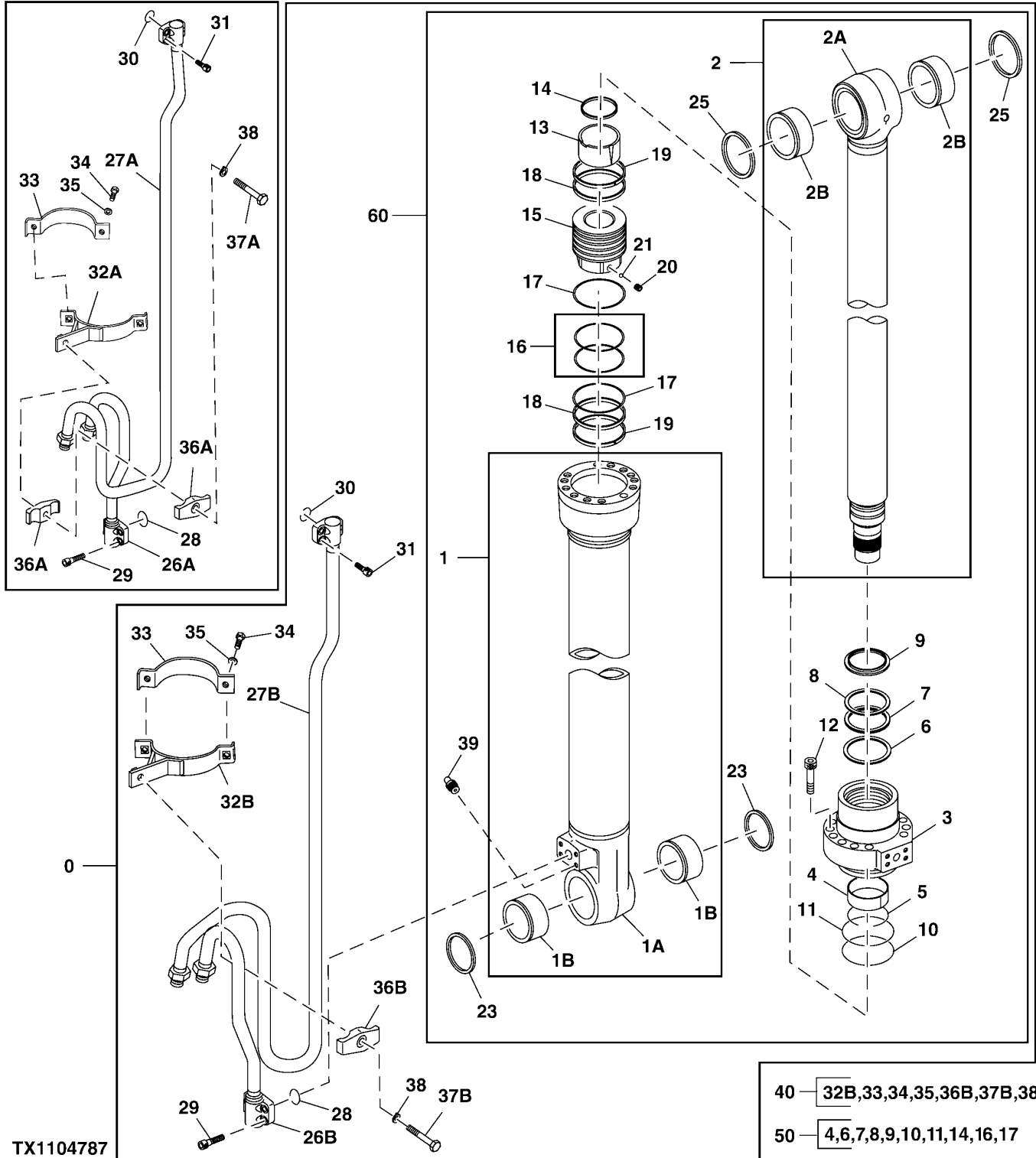
TX1179003

33 Backhoe and Excavator
3365 Hydraulic Cylinders

Key	Part No.	Part Name	Qty.	Serial No.	Remarks
0	9286529H	Hydraulic Cylinder	1		SUB FOR 4664872, 9248075 OR 9286529
1	0999101H	Hydraulic Cylinder Barrel	1		SUB FOR 0999101
	Hyd Cylinder Barrel Reman	1		PG201207 NLA; REMAN FOR 0999101H
1A	Tube	1		
1B	4352398	Bushing	2		
2	AH234855	Rod	2		SUB FOR 0998902H OR AH225134
	AH234855	Rod	1		SUB FOR PG201209
2A	Rod	1		
2B	4355875	Bushing	2		
3	H180210	Hydr. Cylinder Rod Guide	1		SUB FOR 0788905
4	T108019	Bushing	1		SUB FOR 0309004
5	TH104944	Snap Ring	1		SUB FOR 0208304
6	H227911	Seal	1		SUB FOR 0788911
7	H227912	Seal	1		SUB FOR 0788912, THIS APPLICATION
8	TH104953	Back-Up Ring	1		SUB FOR 0208306
9	H155911	Seal	1		SUB FOR 0667204
10	TH100125	O-Ring	1		SUB FOR A811115
11	TH104929	Back-Up Ring	1		SUB FOR 0261310
12	19M8931	Screw	12		M16 X 75, SUB FOR 0409705, THIS APPLICATION
13	H155920	Ring	1		SUB FOR 0409706
14	H155919	Seal	1		SUB FOR 0667205
15	H227626	Piston	1		SUB FOR 0998903
16	TH104922	Seal	1		SUB FOR 0258205
17	H155916	Back-Up Ring	2		SUB FOR 0409709
18	H227906	Ring	2		SUB FOR 0998904, THIS APPLICATION
19	TH104923	Wear Ring	2		SUB FOR 0261308
20	22M7099	Set Screw	1		M5 X 6, SUB FOR 0309011, THIS APPLICATION
21	T13624	Ball	1		SUB FOR 0111707
23	TH102446	Seal	2		SUB FOR 4067902
25	TH102445	Seal	2		SUB FOR 4067901
26A	0789003	Line	1		
26B	4669127H	Oil Line	1		SUB FOR 4669127
27A	0999102H	Pipe	1		SUB FOR 0957002
27B	4669120H	Oil Line	1		SUB FOR 4669120
28	AT264348	O-Ring	1		SUB FOR 984614
29	19M8448	Screw	4		M12 X 35, SUB FOR M341236
30	4506430	O-Ring	1		
31	19M7662	Cap Screw	4		M10 X 30, SUB FOR 4486953AND J971030, THIS APPLICATION
32A	0957204H	Band	1		
32B	4679686	Clamp	1		SUB FOR 4673615
33	H163434	Band	1		SUB FOR 0686409
34	19M7550	Cap Screw	2		M10 X 35, SUB FOR J901035
35	12M7006	Lock Washer	2		6 mm, SUB FOR A590910
36A	0236915H	Half Clamp	2		
36B	0236915H	Half Clamp	1		
37A	19M4789	Cap Screw	1		M14 X 80, SUB FOR 0254312
37B	4673616	Bolt	1		
38	12H317	Lock Washer	1		9/16", SUB FOR A590914
39	AH226483	Lubrication Fitting	1		SUB FOR J75481, THIS APPLICATION
40	Band Kit	1		0957203 NLA
	Band Kit	1		1130903 NLA
50	AH225136	Seal Kit	1		SUB FOR J75481
60	PG200113H	Hydraulic Cylinder Reman	1		NLA, REMAN

Right Boom Cylinder Components

TX1104787 C.1

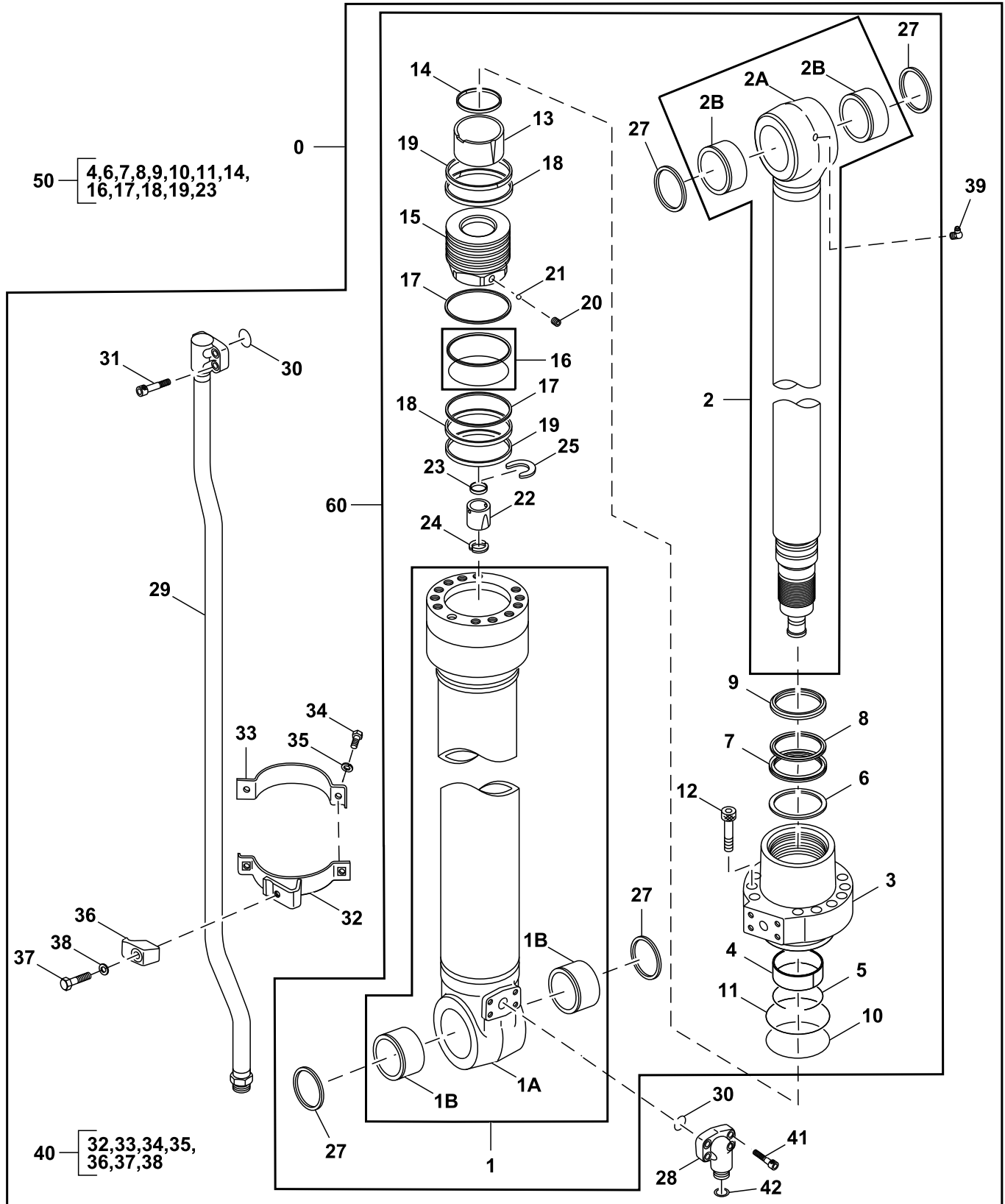


33 Backhoe and Excavator
3365 Hydraulic Cylinders

Key	Part No.	Part Name	Qty.	Serial No.	Remarks
0	9286528H	Hydraulic Cylinder	1		SUB FOR 4664871, 9248074, 9286528
1	0999101H	Hydraulic Cylinder Barrel	1		SUB FOR 0999101, 0998901
	Hyd Cylinder Barrel Reman	1		PG201207 NLA; REMAN FOR 0999101H
1A	Tube	1		
1B	4352398	Bushing	2		
2	AH234855	Rod	2		SUB FOR 0998902H, AH225134
	AH234855	Rod	1		SUB FOR PG201209
2A	Rod	1		
2B	4355875	Bushing	2		
3	H180210	Hydr. Cylinder Rod Guide	1		SUB FOR 0788905
4	T108019	Bushing	1		SUB FOR 0309004
5	TH104944	Snap Ring	1		SUB FOR 0208304
6	H227911	Seal	1		SUB FOR 0788911
7	H227912	Seal	1		SUB FOR 0788912
8	TH104953	Back-Up Ring	1		SUB FOR 0208306
9	H155911	Seal	1		SUB FOR 0667204
10	TH100125	O-Ring	1		SUB FOR A811115
11	TH104929	Back-Up Ring	1		SUB FOR 0261310
12	19M8931	Screw	12		M16 X 75, SUB FOR 0409705
13	H155920	Ring	1		SUB FOR 0409706
14	H155919	Seal	1		SUB FOR 0667205
15	H227626	Piston	1		SUB FOR 0998903
16	TH104922	Seal	1		SUB FOR 0258205
17	H155916	Back-Up Ring	2		SUB FOR 0409709
18	H227906	Ring	2		SUB FOR 0998904
19	TH104923	Wear Ring	2		SUB FOR 0261308
20	22M7099	Set Screw	1		M5 X 6, SUB FOR 0309011
21	T13624	Ball	1		SUB FOR 0111707
23	TH102446	Seal	2		SUB FOR 4067902
25	TH102445	Seal	2		SUB FOR 4067901
26A	0788909	Line	1		
26B	AH234614	Oil Line	1		SUB FOR AH226285
27A	0998905H	Pipe	1		SUB FOR 0998905
27B	AH234613	Oil Line	1		SUB FOR AH226284
28	AT264348	O-Ring	1		SUB FOR 984614
29	19M8448	Screw	4		M12 X 35, SUB FOR M341236
30	4506430	O-Ring	1		
31	J971030	Cap Screw	4		SUB FOR 4486953
32A	AH234565	Rod	1		SUB FOR 0957204G, AH225143
32B	4679686	Clamp	1		SUB FOR 4673615
33	H163434	Band	1		SUB FOR 0686409
34	19M7550	Cap Screw	2		M10 X 35, SUB FOR J901035
35	12M7006	Lock Washer	2		6 mm, SUB FOR A590910
36A	0236915H	Half Clamp	2		
36B	0236915H	Half Clamp	1		
37A	19M4789	Cap Screw	1		M14 X 80, SUB FOR 0254312
37B	4673616	Bolt	1		
38	12H317	Lock Washer	1		9/16", SUB FOR A590914
39	AH226483	Lubrication Fitting	1		SUB FOR J75481
40	Band Kit	1		0957203, 1130903 NLA
50	AH225136	Seal Kit	1		SUB FOR 4661485, 4654421
60	PG200112H	Hydraulic Cylinder Reman	1		NLA, REMAN

Arm Cylinder Components

TX1103323 B.1



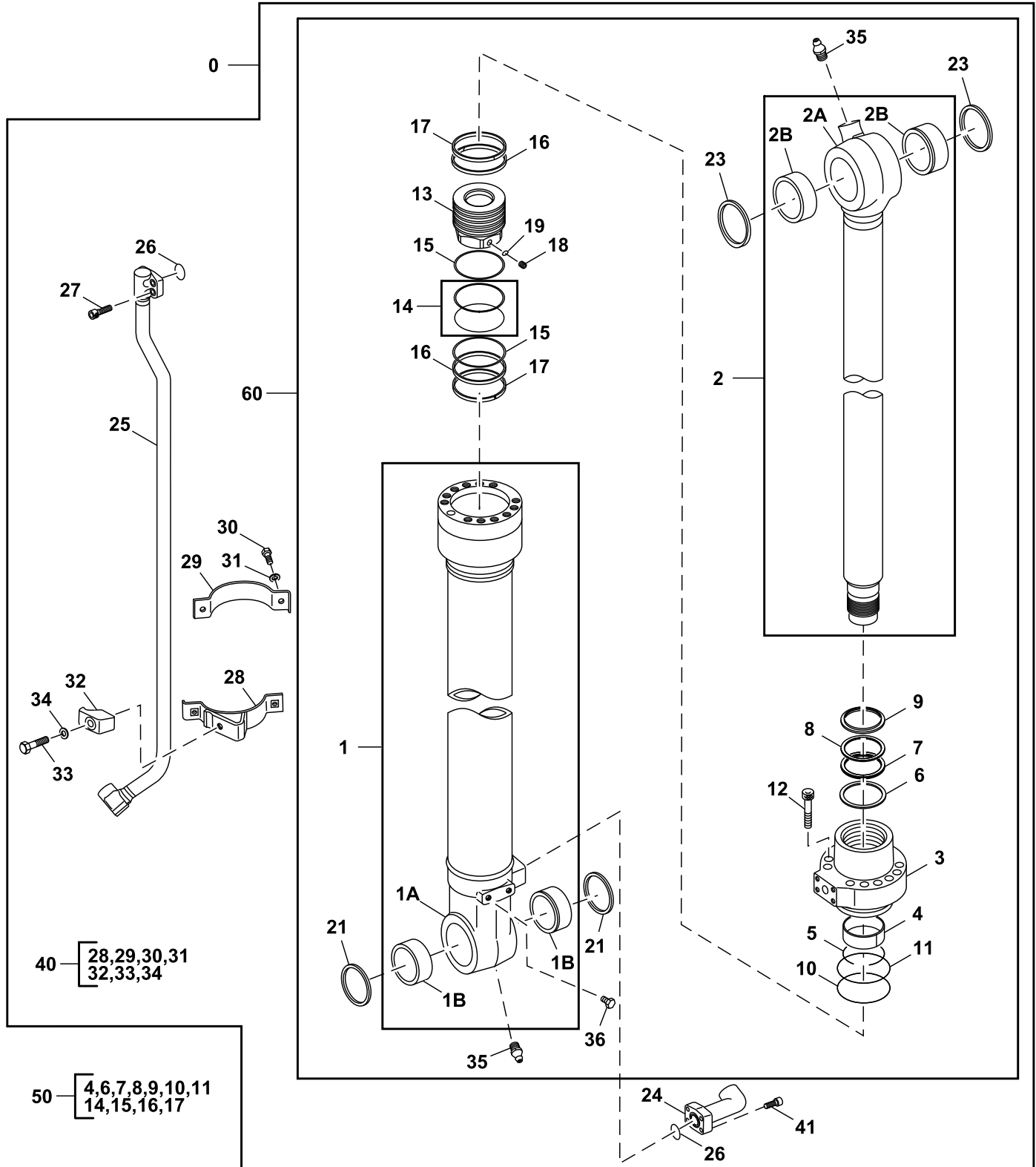
TX1103323

33 Backhoe and Excavator
3365 Hydraulic Cylinders

Key	Part No.	Part Name	Qty.	Serial No.	Remarks
0	9312271H	Hydraulic Cylinder	1		SUB FOR 4613950, 9234748, 9234748H OR 9312271
1	1100501H	Hydraulic Cylinder Barrel	1		
1A	Hydraulic Cylinder Barrel	1		NSEP
1B	4352399	Bushing	2		
2	AH225127H	Rod	1		NLA, ORDER AH234560, SUB FOR 1100502H, THIS APPLICATION. SUB FOR AH225127
	AH234560	Rod	1		
2A	Hydraulic Cylinder Rod	1		NSEP
2B	4355875	Bushing	2		
3	H178686	Hydr. Cylinder Rod Guide	1		SUB FOR 0789105
4	T108050	Wear Ring	1		SUB FOR 0309204
5	TH102766	Snap Ring	1		SUB FOR 0236905
6	H227909	Seal	1		SUB FOR 0997703
7	H227910	Seal	1		SUB FOR 0997704
8	H155310	Back-Up Ring	1		SUB FOR 0667405
9	H155311	Seal	1		SUB FOR 0667406
10	H178690	O-Ring	1		SUB FOR A811130, THIS APPLICATION
11	H178691	Back-Up Ring	1		SUB FOR 0789107
12	19M8913	Screw	12		M18 X 80, SUB FOR 0219305
13	H227903	Ring	1		SUB FOR 1100503
14	H227908	Seal	1		SUB FOR 1100504
15	H227625	Piston	1		SUB FOR 1100505
16	AH173446	Ring	1		Includes Two Pieces, SUB FOR 0309210
17	H178694	Back-Up Ring	2		SUB FOR 0789109
18	H227905	Ring	2		SUB FOR 0962104
19	H178696	Back-Up Ring	2		SUB FOR 0309212
20	H228111	Set Screw	1		SUB FOR 0352715
21	R26552	Ball	1		SUB FOR 0104404
22	H227904	Ring	1		SUB FOR 1100506, THIS APPLICATION
23	H155322	Seal	1		SUB FOR 0667411
24	H155329	Ring	2		SUB FOR 0409915
25	H155330	Piston Ring	1		SUB FOR 0409916
27	TH102446	Seal	4		SUB FOR 4067902
28	H227915	Hydraulic Cylinder Port	1		
29	AH234568	Oil Line	1		SUB FOR 1100507 OR AH225139
30	AT264348	O-Ring	2		SUB FOR 984614
31	19M8446	Screw	4		M8 X 20, SUB FOR M341236
32	AH234562	Clamp	1		SUB FOR 0962106 OR AH225133
33	H227901H	Clamp	1		SUB FOR 0309221 OR H227901
34	19M7550	Cap Screw	2		M10 X 35, SUB FOR J901035
35	12M7066	Lock Washer	2		10 mm, SUB FOR A590910
36	0309219H	Half Clamp	1		SUB FOR 0309219
37	19M8348	Cap Screw	1		M12 X 65, SUB FOR 0224115
38	12M7067	Lock Washer	1		12 mm, SUB FOR 0208516
39	AH226482	Lubrication Fitting	1		SUB FOR 0225709
40	0962110	Clamp Kit	1		
41	19M8704	Screw	4		M12 X 35
42	T76938	O-Ring	1		
50	AH225135	Hydraulic Cylinder Kit	1		Seal Kit, SUB FOR 4654422
60	Hydraulic Cylinder Reman	1		PG200114H NLA

Bucket Cylinder Components

TX1104797 B.1



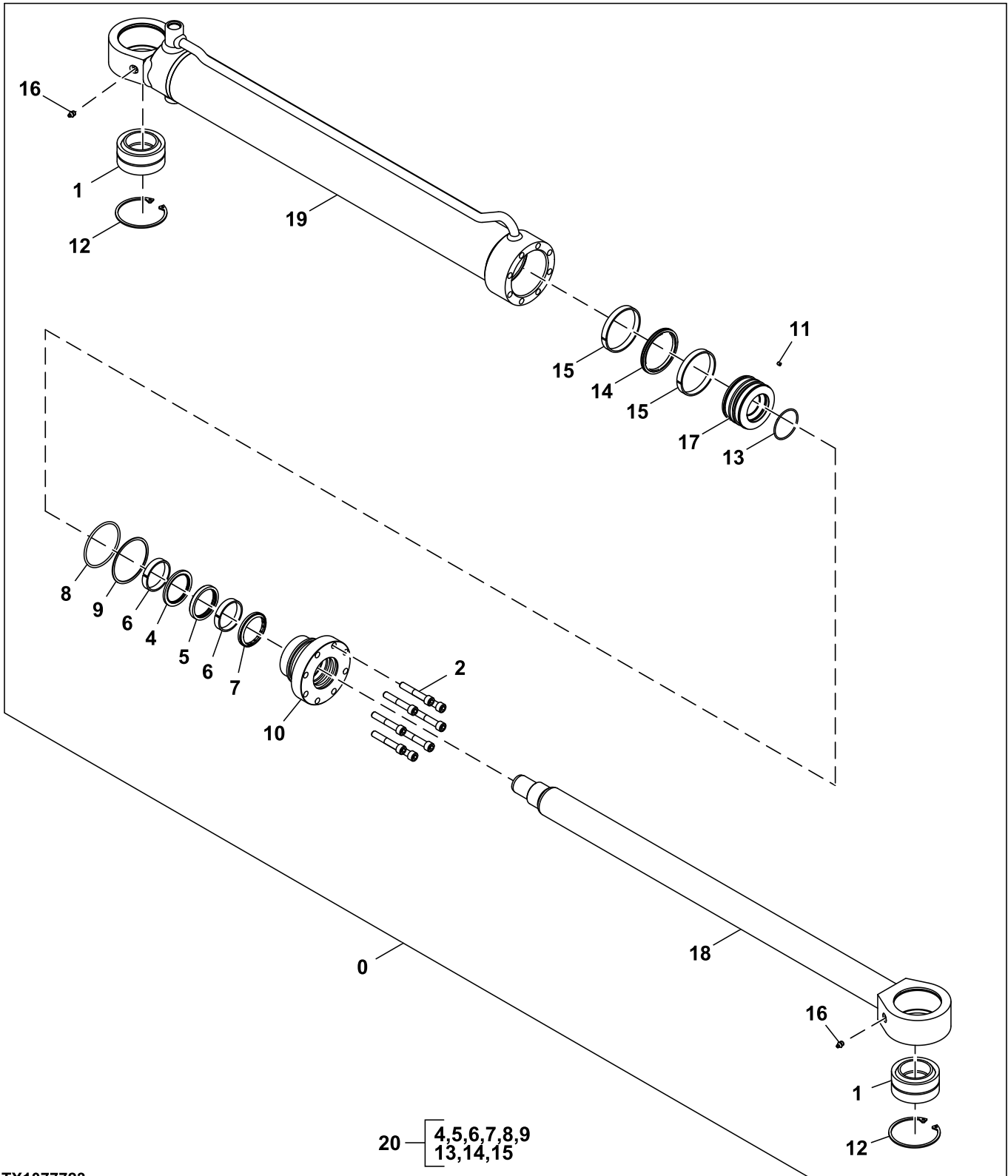
TX1104797

33 Backhoe and Excavator
3365 Hydraulic Cylinders

Key	Part No.	Part Name	Qty.	Serial No.	Remarks
0	Hydraulic Cylinder	1		9248307H NLA, ORDER 9312272H, SUB FOR 4629154 AND 9248307, Bucket Cylinder
	9312272H	Hydraulic Cylinder	1		Bucket Cylinder
1	1102301H	Hydraulic Cylinder Barrel	1		SUB FOR 1102301 AND PG201199
1A	Barrel	1		NSEP
1B	4352400	Bushing	2		
2	AHC17860	Rod	1		SUB FOR 1102302, THIS APPLICATION, SUB FOR AH225142 OR AH234856
	PG201201	Hyd. Cylinder Rod Reman	1		REMAN FOR AH234856
2A	Hydraulic Cylinder Rod	1		NSEP
2B	4352398	Bushing	2		
3	H178708	Hydr. Cylinder Rod Guide	1		SUB FOR 0789205
4	T108041	Wear Ring	1		SUB FOR 0309304
5	AT132690	Snap Ring	1		SUB FOR 0208604, THIS APPLICATION
6	H227913	Seal	1		SUB FOR 0789214, THIS APPLICATION
7	H227914	Seal	1		SUB FOR 0789214
8	TH104926	Back-Up Ring	1		SUB FOR 0208606
9	H157235	Seal	1		SUB FOR 0667006
10	AT264320	O-Ring	1		SUB FOR A811110 OR T110448
11	TH109353	Back-Up Ring	1		SUB FOR 0310904
12	19M8931	Screw	10		M16 X 75, SUB FOR 0409705
13	H227627	Piston	1		SUB FOR 1102303
14	TH105767	Ring	1		Includes Two Pieces, SUB FOR 0225614
15	H163431	Back-Up Ring	2		SUB FOR 0496605
16	H227907	Ring	2		SUB FOR 1102304, THIS APPLICATION
17	TH109357	Ring	2		SUB FOR 0310908
18	22M7009	Set Screw	1		M12 X 12, SUB FOR 0309011, THIS APPLICATION
19	T13624	Ball	1		SUB FOR 0111707
21	TH104472	Seal	2		SUB FOR 4084578
23	TH102446	Seal	2		SUB FOR 4067902
24	AT114835	Elbow Fitting	1		SUB FOR 0309312
25	Oil Line	1		1102305 NLA
	AH234610	Oil Line	1		SUB FOR AH225998H OR AH234611
26	4506430	O-Ring	2		
27	19M7662	Cap Screw	8		M10 X 30, USE WITH 1102305; SUB FOR 4486953 OR J971030
	19M8339	Screw	8		M10 X 55, USE WITH AH225998H
28	AH234557	Band	1		SUB FOR 0789210 OR AH173454
29	AT127347	Band	1		SUB FOR 4459282
30	19M7550	Cap Screw	2		M10 X 35, SUB FOR J901035
31	12M7066	Lock Washer	2		10 mm, SUB FOR A590910
32	T108036H	Clamp	1		SUB FOR 0309021 OR T108036
33	19M7362	Cap Screw	1		M12 X 55, SUB FOR 0667013
34	12M7067	Lock Washer	1		12 mm, SUB FOR 0208516
35	AH226483	Lubrication Fitting	2		SUB FOR J75481, THIS APPLICATION
36	19M8017	Cap Screw	2		M12 X 20, SUB FOR 0409110
40	0789209	Clamp	1		
50	AH225137	Hydraulic Cylinder Kit	1		SUB FOR 1102306
60	Hydraulic Cylinder Reman	1		PG200115H NLA

Hydraulic Thumb Kit Cylinder Components (Kits Built 28 June 2010 -)

TX1077723 B.1

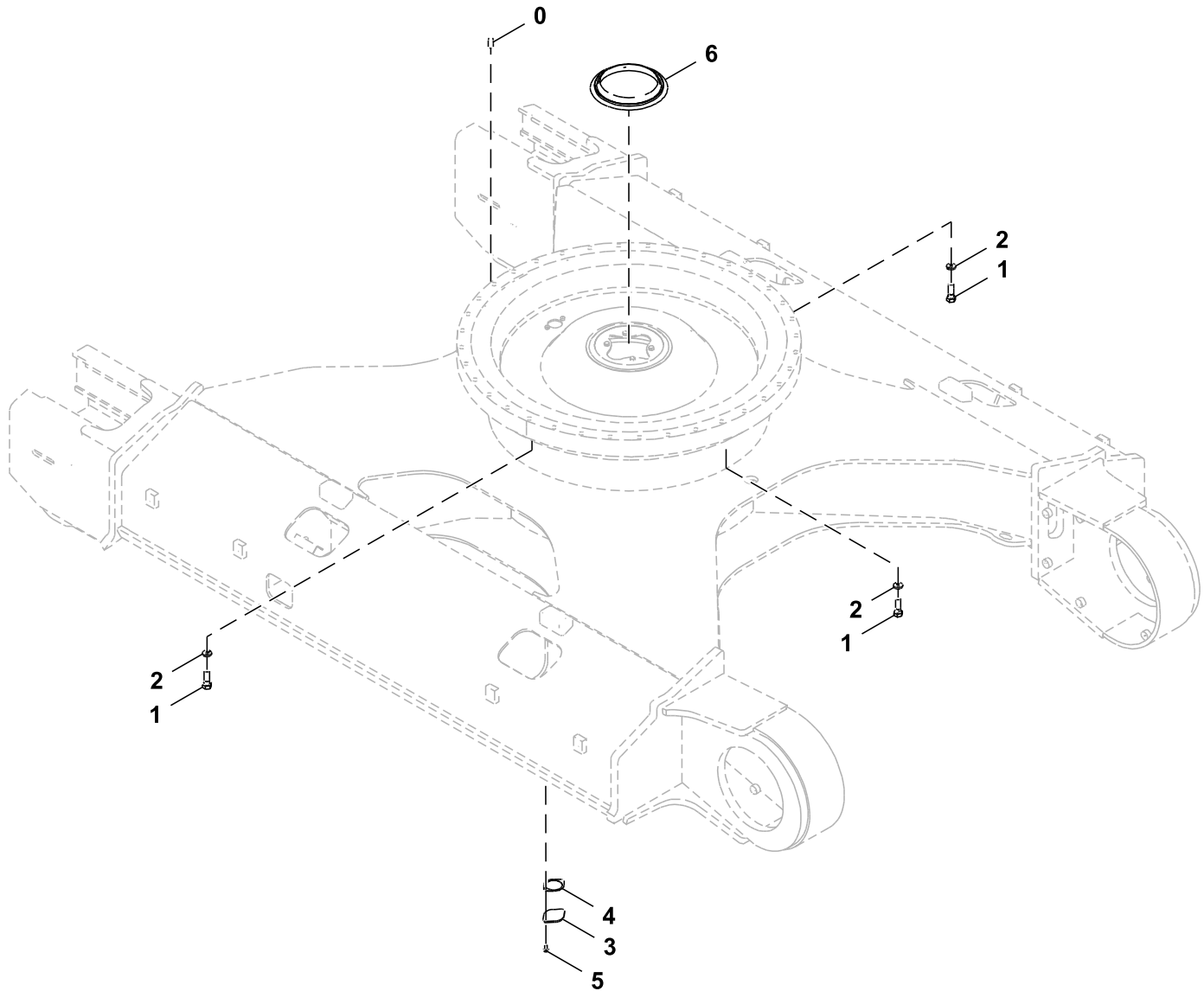


TX1077723

Key	Part No.	Part Name	Qty.	Serial No.	Remarks
0	AT383236	Hydraulic Cylinder	1		
1	AT339959	Bearing	2		
2	T276092	Cap Screw	8		
4	Seal	1		NLA
5	Seal	1		NLA
6	Wear Ring	2		NLA
7	Seal	1		NLA
8	O-Ring	1		NLA
9	Back-Up Ring	1		NLA
10	T276083	Hydr. Cylinder Rod Guide	1		
11	T276098	Set Screw	1		
12	T229485	Snap Ring	2		
13	O-Ring	1		NLA
14	Seal	1		NLA
15	Wear Ring	2		NLA
16	JD7759	Lubrication Fitting	2		
17	T276082	Piston	1		
18	T276080	Hydraulic Cylinder Rod	1		
19	Hydraulic Cylinder Barrel	1		T276079 NLA
20	AT383237	Seal Kit	1		

Swing Bearing Mounting

TX1093241 B.1



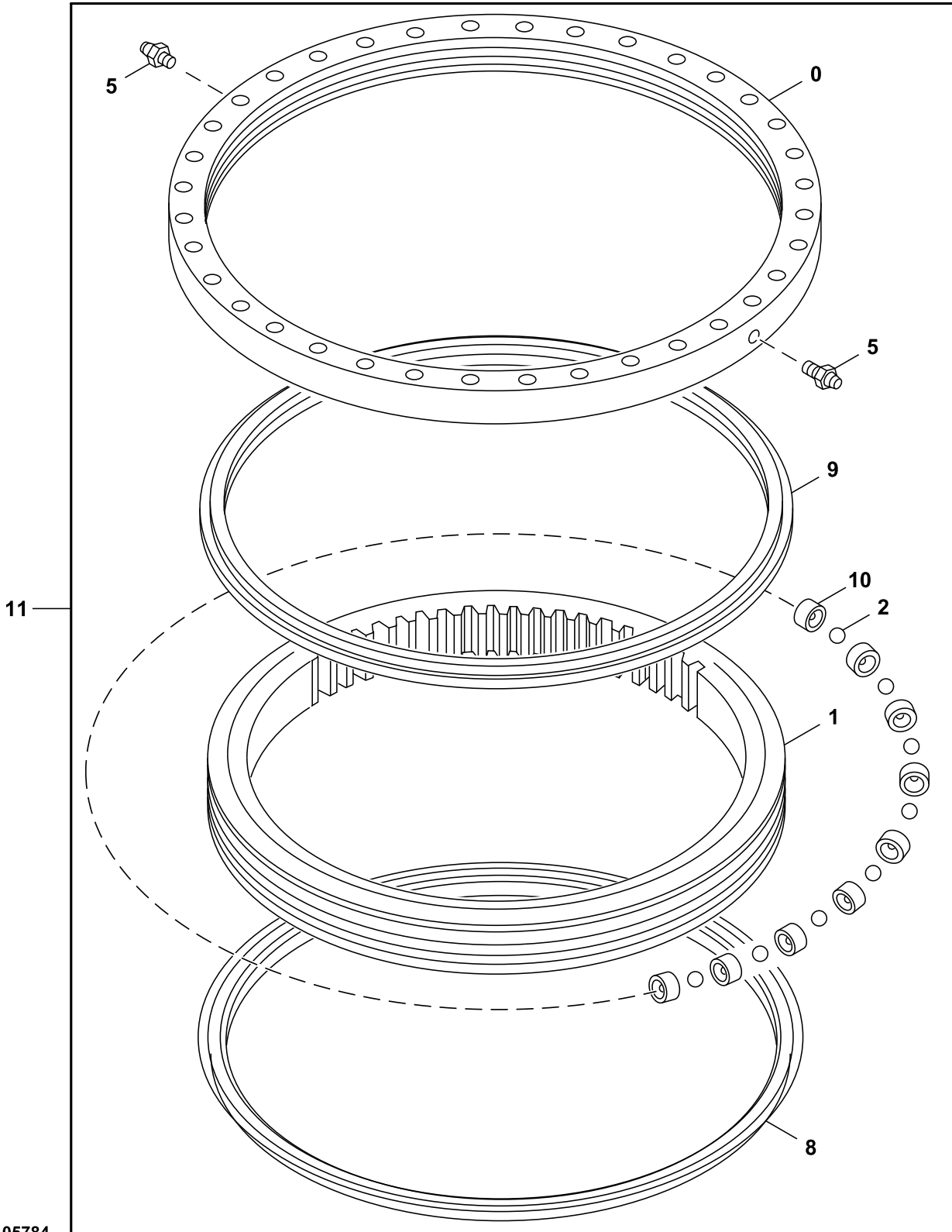
TX1093241

43 Swing, Rotation Or Pivoting System
4343 Swing Bearing and Mounting

Key	Part No.	Part Name	Qty.	Serial No.	Remarks
0	4630119	Pin	1		
1	4348589	Cap Screw	36		
2	J222020	Washer	36		
3	4128863	Plate	1		
4	4272297	Gasket	1		
5	Screw With Washer	2		J271025 NLA
	19M7402	Cap Screw	2		M10 X 25, SUB FOR J901025
	24M7346	Washer	2		11 X 20 X 2 mm, SUB FOR DH400703
6	4483676	Seal	1		SUB FOR 9229187, Grease

Swing Bearing

TX1105784 B.1



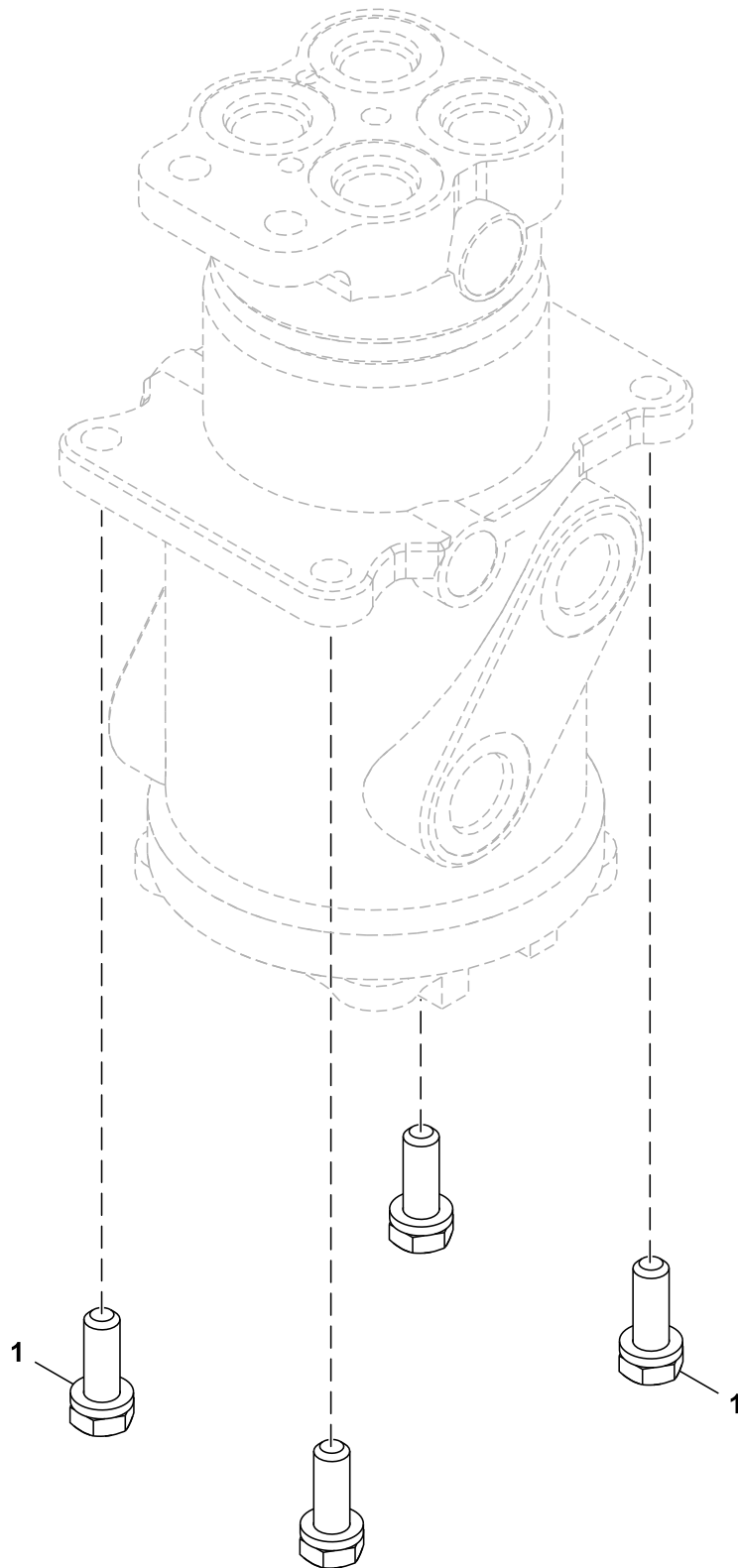
TX1105784

43 Swing, Rotation Or Pivoting System
4343 Swing Bearing and Mounting

Key	Part No.	Part Name	Qty.	Serial No.	Remarks
0	Bearing Race	1		Outer
1	Bearing Race	1		Inner
2	FYB00001843	Ball	111		SUB FOR 4640421
5	TH100074	Lubrication Fitting	2		SUB FOR J75481
8	FYB00001597	Sealing Trim	1		
9	T203958	Seal	1		4631753 NLA, SUB FOR 4634010; ALSO ORDER PM37391 AND AT66866
	PM37391	Adhesive	1		
	AT66866	Fluid	1		
10	4640418	Support	111		
11	9262248	Swing Bearing	1		NLA, ORDER PG200154
	PG200154	Swing Bearing Reman	1		SUB FOR 9260971, REMAN FOR 9262248

Rotary Manifold Mounting

TX1123241 C.1

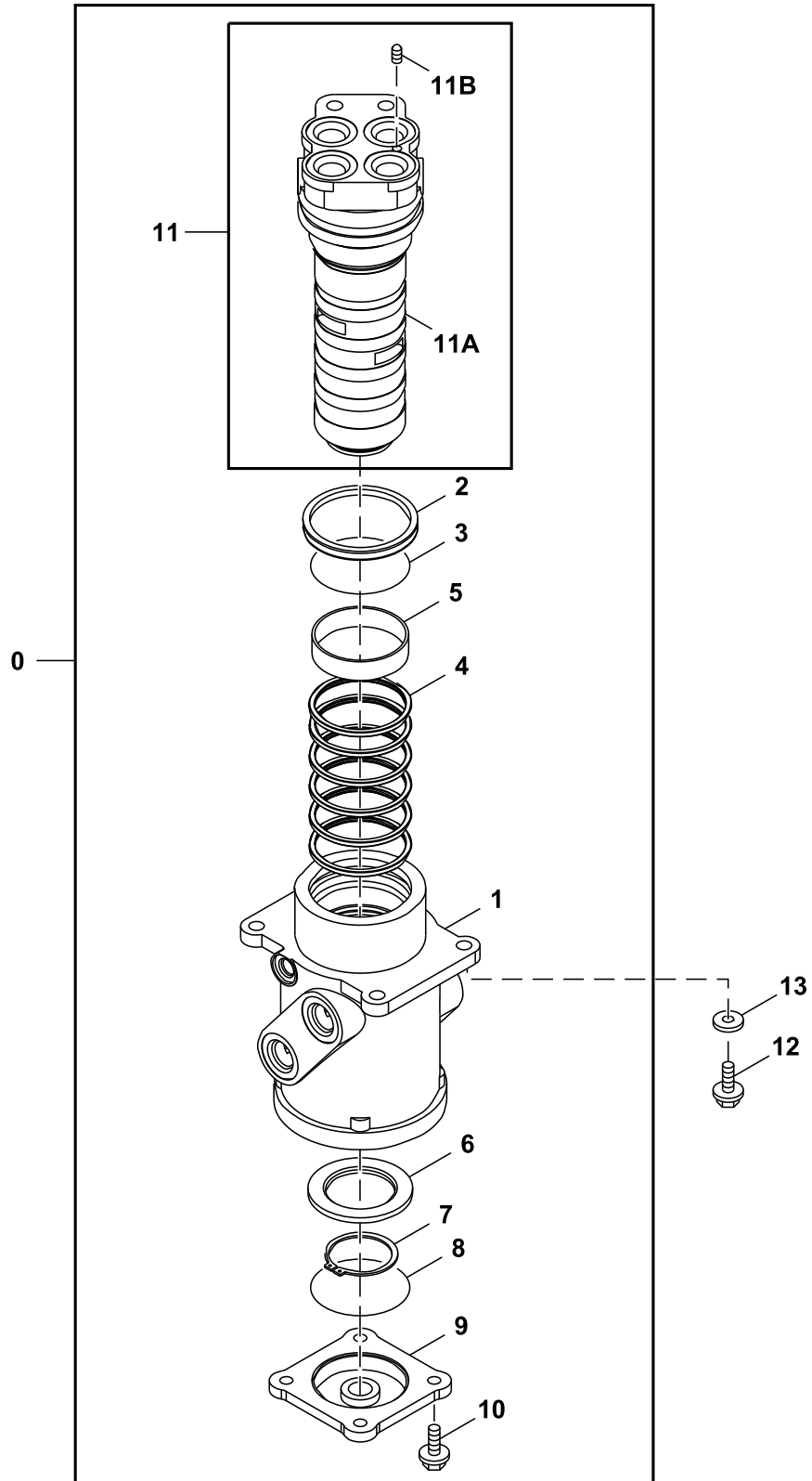


9196096_TX1123241

Key	Part No.	Part Name	Qty.	Serial No.	Remarks
1	Screw With Washer	4		4614637 NLA
	19M7403	Cap Screw	4		M12 X 35, SUB FOR J901235
	DH400704	Washer	4		

Rotary Manifold Components

TX1122980 E.1

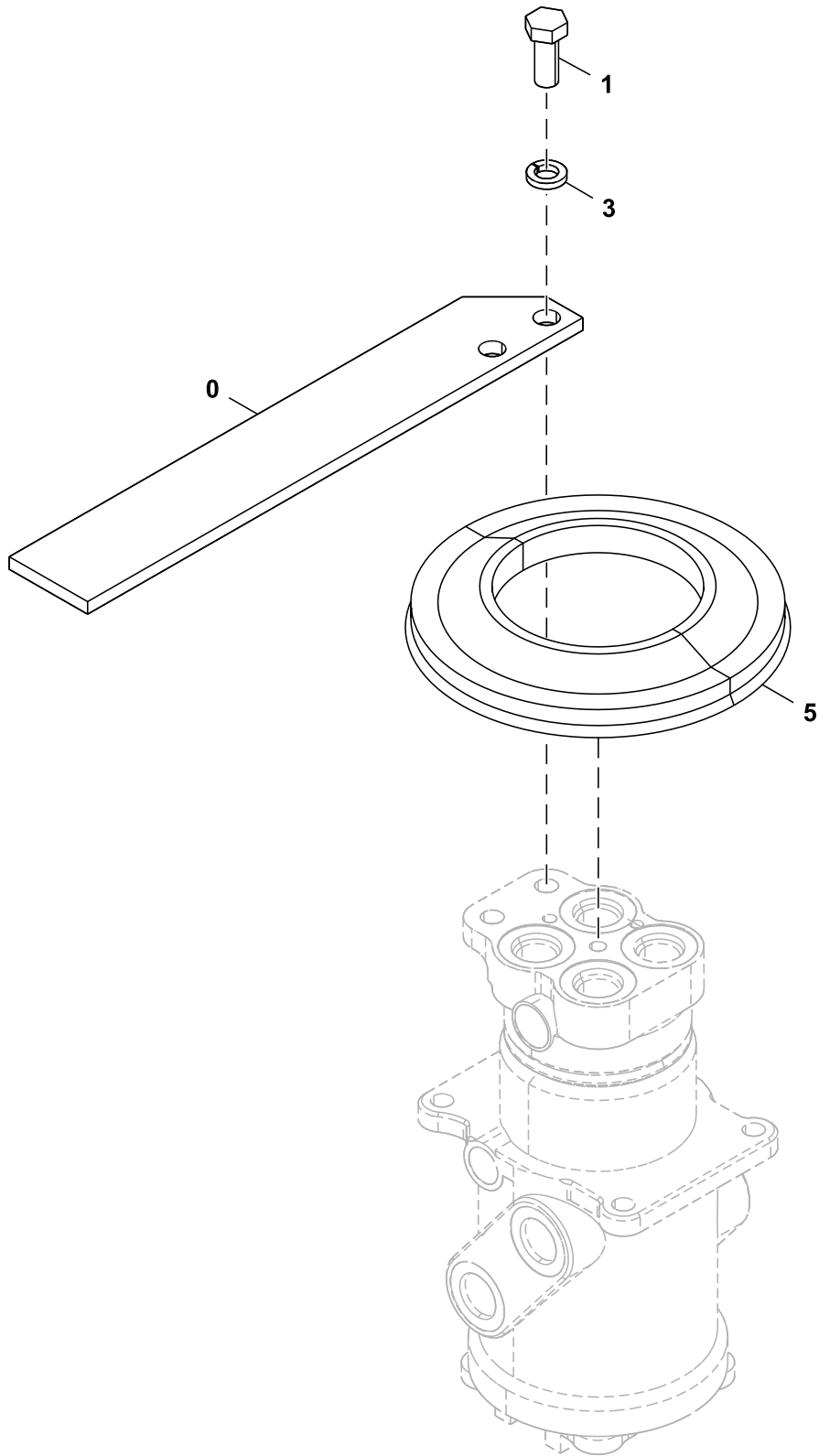


TX1122980

Key	Part No.	Part Name	Qty.	Serial No.	Remarks
0	9107265	Manifold	1		For Non North American Applications, SUB FOR 9101521
1	9107265EX	Manifold Reman	1		For North American Applications, REMAN FOR 9107265
	Housing	1		0003542 NLA
2	4390776	Seal	1		
3	AT264418	O-Ring	1		SUB FOR 4367664
4	AT154162	Seal	6		SUB FOR 4231543
5	4241780	Bushing	1		
6	3070250	Ring	1		
7	40M7048	Snap Ring	1		SUB FOR Z991347
8	CH16109	Packing	1		SUB FOR A810100
9	2034607	Cover	1		
10	Screw With Washer	4		J271030 NLA
	19M7662	Cap Screw	4		M10 X 30
	24M7346	Washer	4		11 X 20 X 2 mm
11	9145787	Spindle	1		
11A	Spindle	1		0001193 NLA
11B	4239611	Plug	1		
12	19M7403	Cap Screw	4		M12 X 35, SUB FOR J901235
13	DH400704	Washer	4		

Rotary Manifold Seal and Swing Stop

TX1117092 D.1

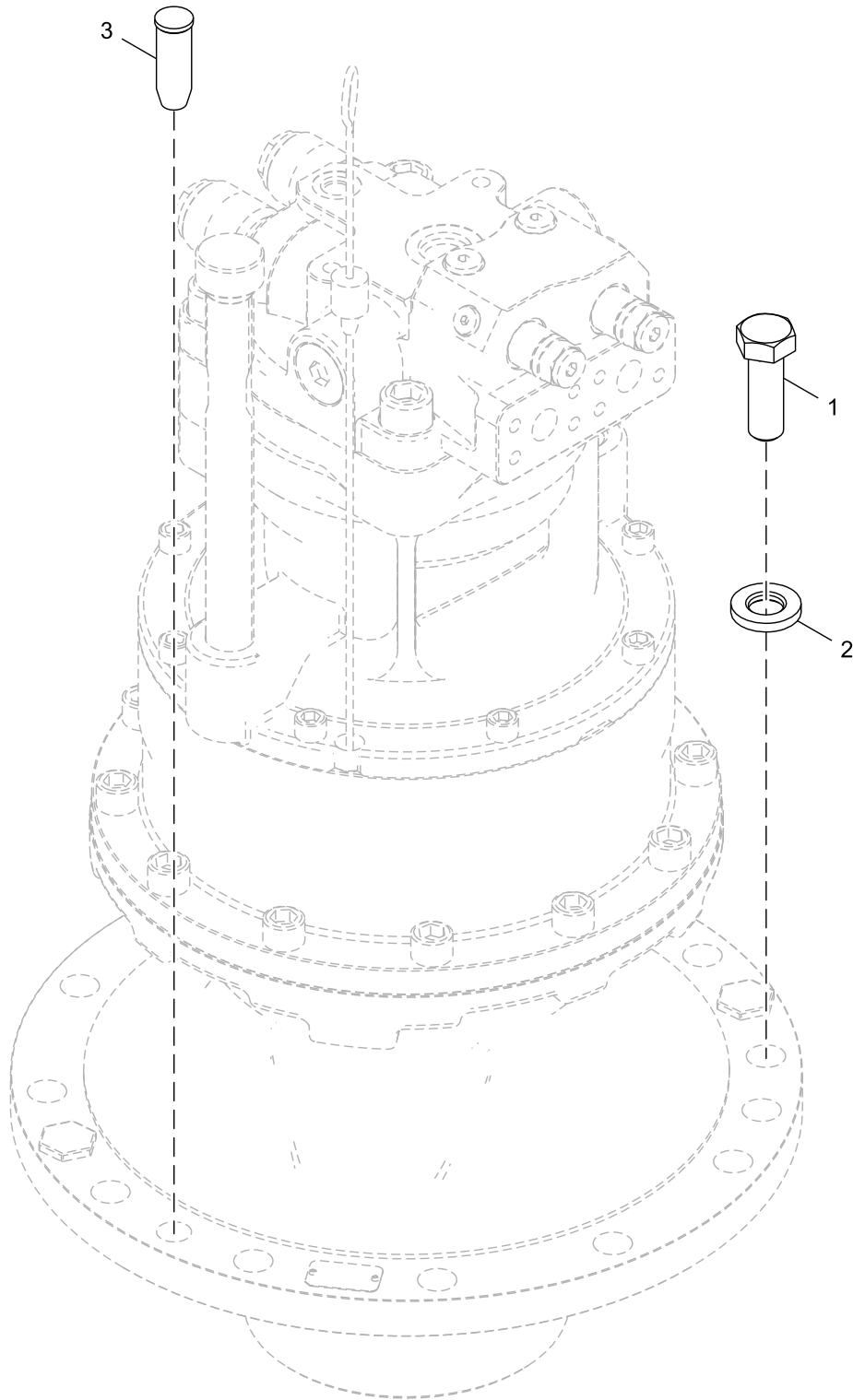


TX1117092

Key	Part No.	Part Name	Qty.	Serial No.	Remarks
0	4613452	Stop	1		
1	19M6332	Cap Screw	2		M14 X 35, SUB FOR J901435
3	12H317	Lock Washer	2		9/16", SUB FOR A590914
5	4428007	Cover	1		

Swing Device Mounting

TX1113496 B.1

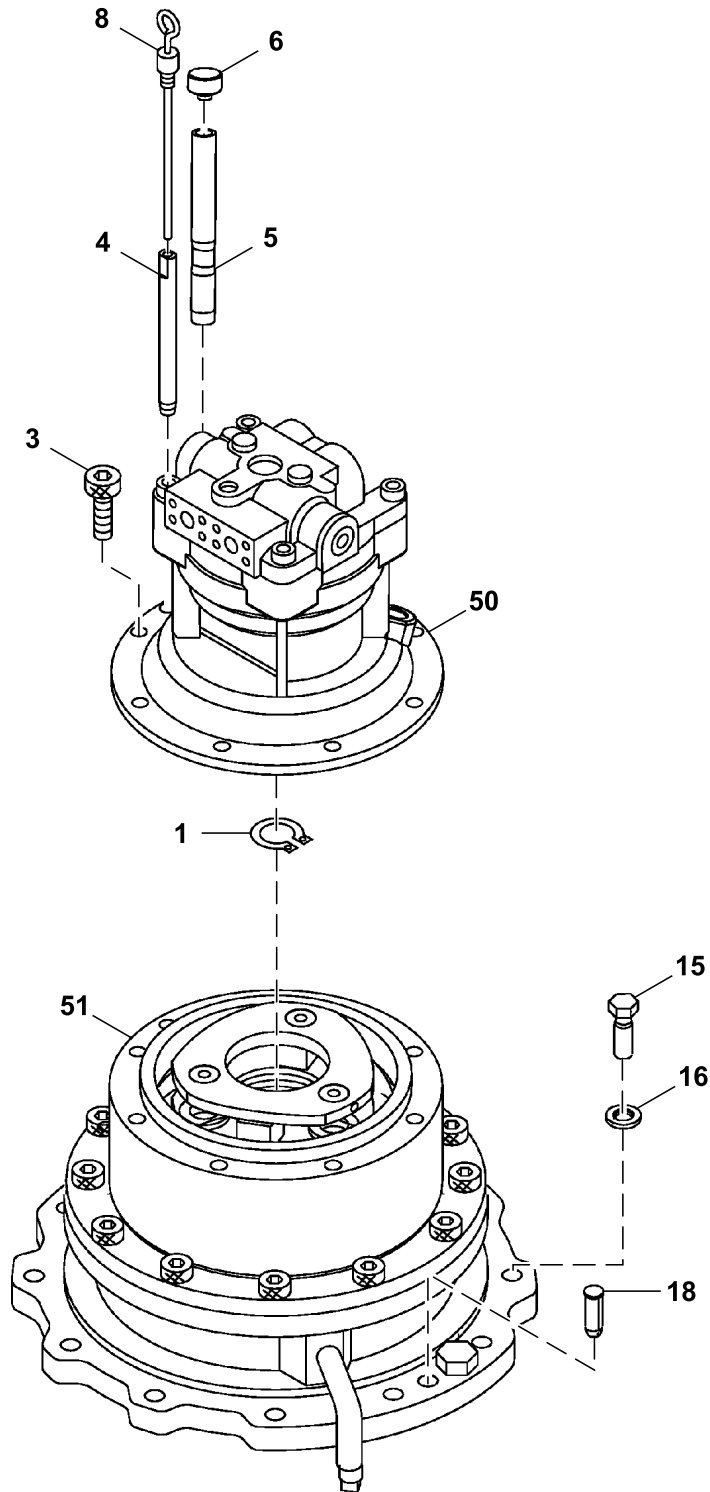


9232975_TX1113496

<i>Key</i>	<i>Part No.</i>	<i>Part Name</i>	<i>Qty.</i>	<i>Serial No.</i>	<i>Remarks</i>
1	19M8224	Cap Screw	14		M20 X 60, SUB FOR J922060
2	J222020	Washer	14		
3	4623111	Pin	2		

Swing Motor and Gear Case

TX1284826 A.1

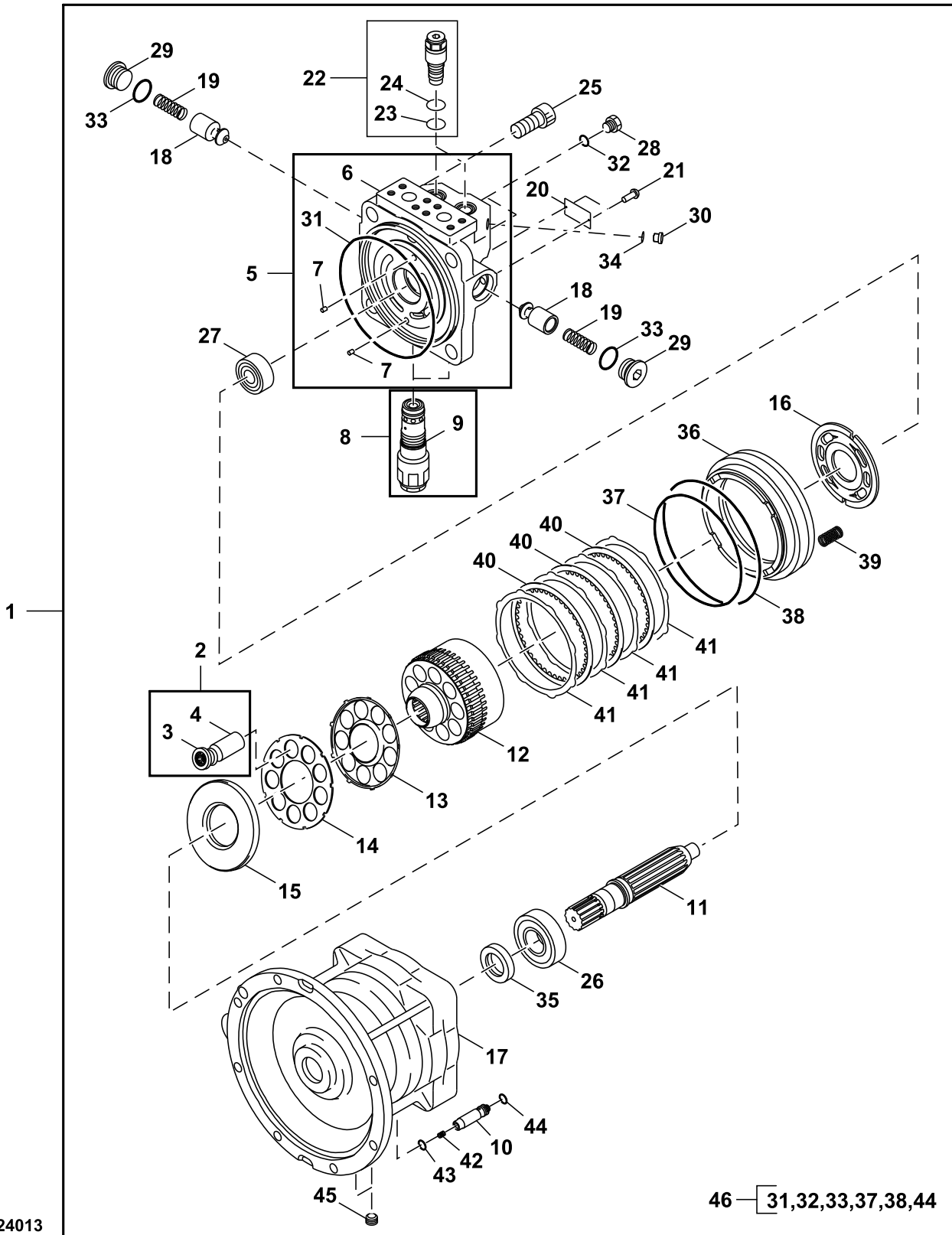


TX1284826

Key	Part No.	Part Name	Qty.	Serial No.	Remarks
1	40M7046	Snap Ring	1		SUB FOR 991342
3	M341228	Screw	8		
4	4449144	Line	1		
5	4332658	Tube	1		SUB FOR AT213843
6	4343365	Cap	1		SUB FOR AT204965
8	3107447	Level Gauge	1		
15	19M8224	Cap Screw	14		M20 X 60, SUB FOR J922060
16	J222020	Washer	14		
18	4623111	Pin	2		
50	4729032	Motor	1		Components On Separate Page
	PG203775	Hydraulic Motor Reman	1		REMAN FOR 4729032, Components On Separate Page
51	9262916	Gear Case	1		Components On Separate Page
60	Hydraulic Motor	1		9316612 NLA, Not Illustrated

Swing Motor Components

TX1124013 C.1

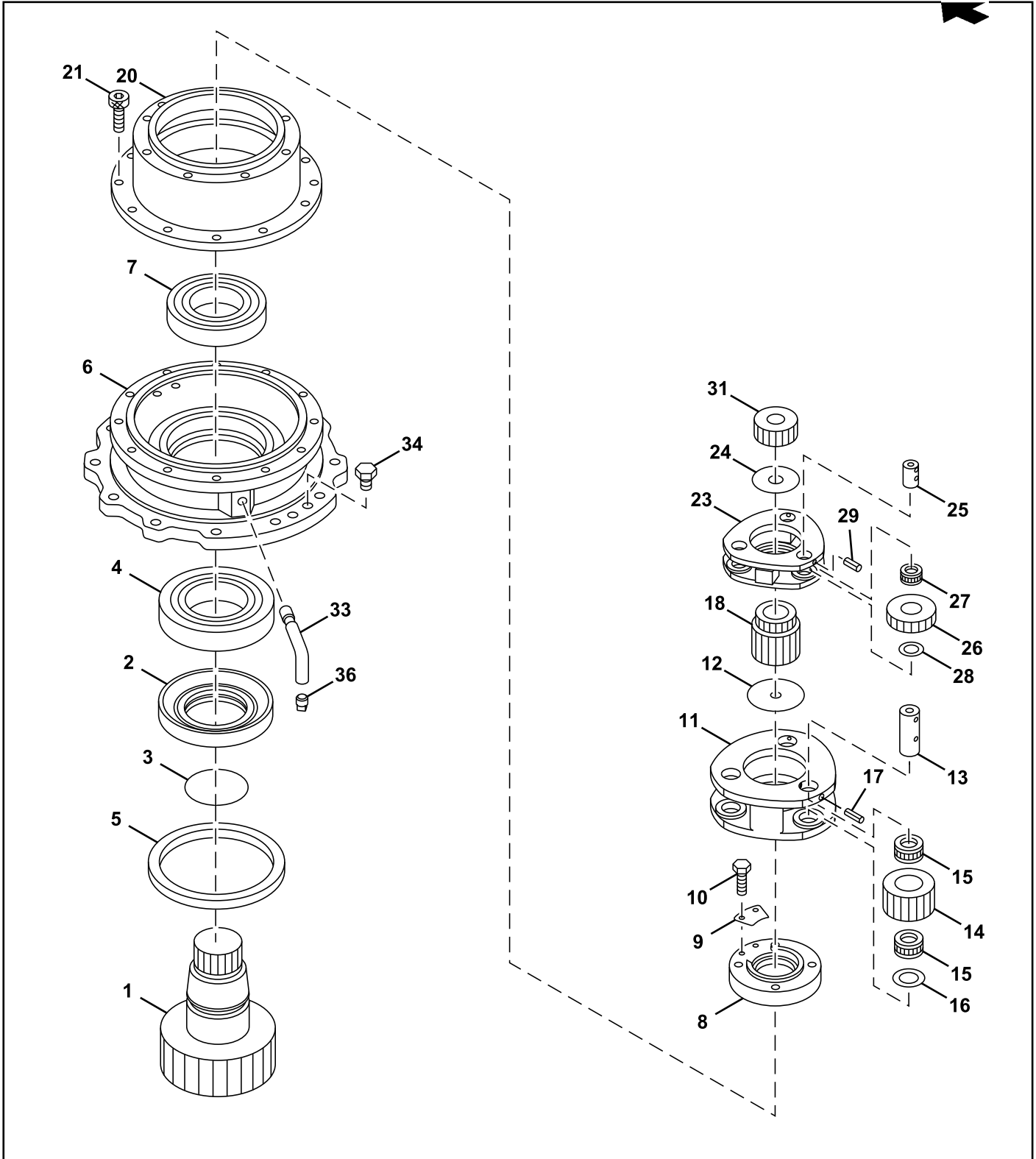


TX1124013

Key	Part No.	Part Name	Qty.	Serial No.	Remarks
1	4729032	Motor	1		
	PG203775	Hydraulic Motor Reman	1		
2	0788801	Piston	1		
3	Piston	9		
4	Piston	9		
5	FXB00001131	Housing	1		
6	Case	1		
7	Pin	2		
8	FYA00041204	Pressure Relief Valve	2		SUB FOR 4654845
9	4366544	O-Ring	1		
10	0788803	Plunger	1		
11	0788804	Shaft	1		
12	0788805	Manifold	1		
13	0788806	Plate	1		
14	0788807	Retainer	1		
15	0788808	Plate	1		
16	0788809	Plate	1		
17	Case	1		0788810 NLA
18	0409215	Plunger	2		
19	0409216	Spring	2		
20	Plate	1		
21	0625509	Cap Screw	2		
22	FXB00013538	Valve	2		SUB FOR 4655266
23	CH12329	Packing	1		SUB FOR 4506420
24	4027959	Back-Up Ring	1		
25	M342045	Bolt	4		
26	0788811	Cylindrical Roller Bearing	1		
27	0677203	Cylindrical Roller Bearing	1		
28	0998702	Plug	2		
29	0692708	Fitting Plug	2		
30	4656242	Plug	2		
31	FXB00001138	O-Ring	1		
32	4S00810	O-Ring	2		SUB FOR 4366517
33	AT264347	O-Ring	2		SUB FOR 4506428
34	4506408	O-Ring	2		
35	4S00821	Seal	1		SUB FOR 0788813
36	0788814	Piston	1		
37	FXB00001139	O-Ring	1		
38	FXB00001140	O-Ring	1		
39	0788815	Spring	24		
40	0788816	Thrust Washer	3		
41	0788817	Drive Disk	4		
42	0788818	Spring	1		
43	0221509	Ball	1		
44	FXB00001141	O-Ring	1		
45	0934502	Plug	2		SUB FOR 0263019
46	FXB00001143	Seal Kit	1		

Swing Motor Gear Case Components

TX1103614 B.1



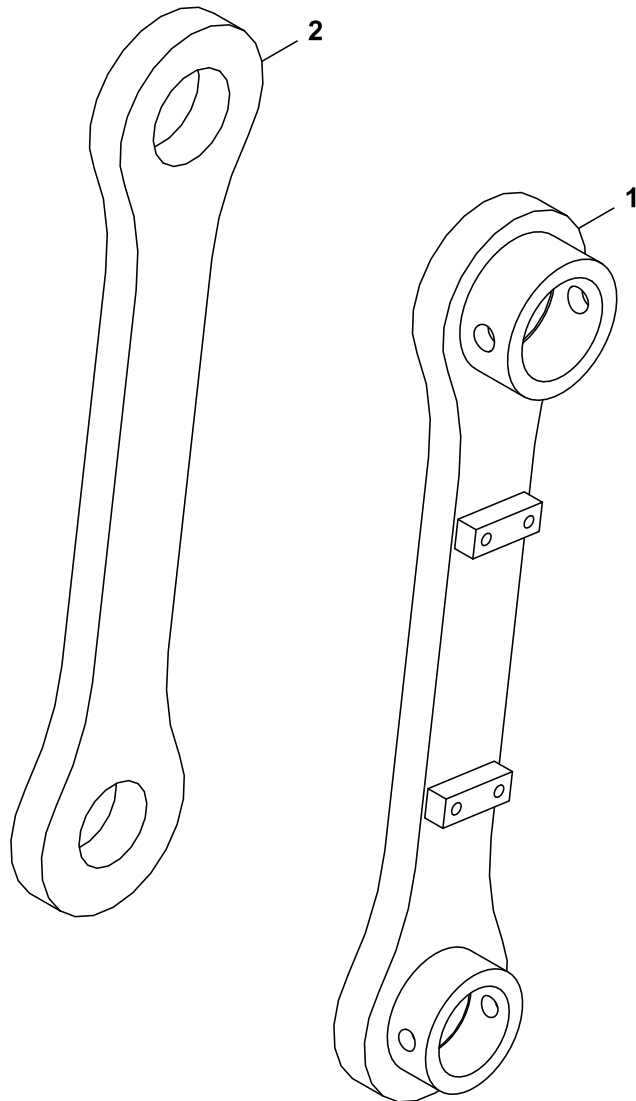
TX1103614

0

Key	Part No.	Part Name	Qty.	Serial No.	Remarks
0	9262916	Gear Case	1		Swing Motor
1	2053199	Shaft	1		
2	3083742	Sleeve	1		
3	AT264339	O-Ring	1		SUB FOR A811120
4	4402481	Cylindrical Roller Bearing	1		
5	4411535	Seal	1		
6	1033370	Housing	1		
7	4667150	Bearing	1		SUB FOR 4402637
8	3099830	Nut	1		
9	4474191	Plate	1		
10	19M8324	Cap Screw	2		M10 X 16, SUB FOR J901016
11	1031849	Planet Pinion Carrier	1		
12	4642361	Plate	1		SUB FOR 4187590
13	4488904	Pin	3		
14	3099815	Gear	3		
15	4713899	Bearing	6		SUB FOR 4438593
16	4336929	Wear Plate	3		
17	34M6402	Spring Pin	3		8 X 28 mm, SUB FOR 4027427
18	3099795	Sun Gear	1		
20	1032548	Ring Gear	1		
21	19M8445	Screw	12		M16 X 45, SUB FOR M341645
23	1031817	Planet Pinion Carrier	1		
24	4403371	Plate	1		
25	4336923	Pin	3		
26	3102045	Gear	3		
27	4404506	Needle Bearing	3		SUB FOR 4336945
28	4403082	Plate	3		
29	4051262	Spring Pin	3		
31	3084056	Sun Gear	1		
33	3089362	Line	1		
34	4445354	Fitting Plug	2		
36	94-2012	Fitting Plug	1		

Arm Link, Machine Guidance

TX1255860 A.1

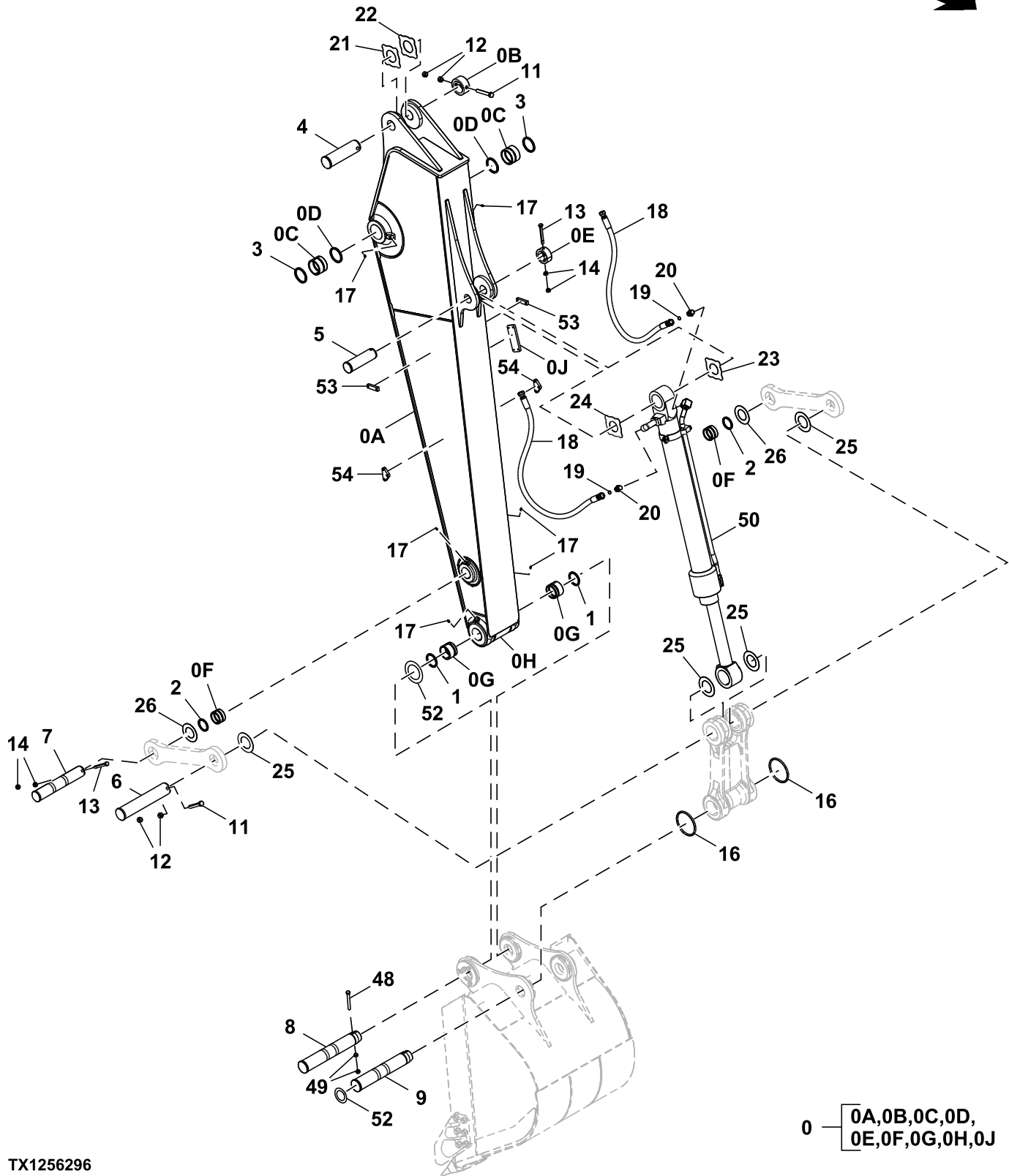


FF550524_TX1255860

<i>Key</i>	<i>Part No.</i>	<i>Part Name</i>	<i>Qty.</i>	<i>Serial No.</i>	<i>Remarks</i>
1	FF550525	Link	1		Left
2	3084173H	Link	1		Right

Arm, 2.91 m (9.55 ft), Machine Guidance

TX1256296 C.1



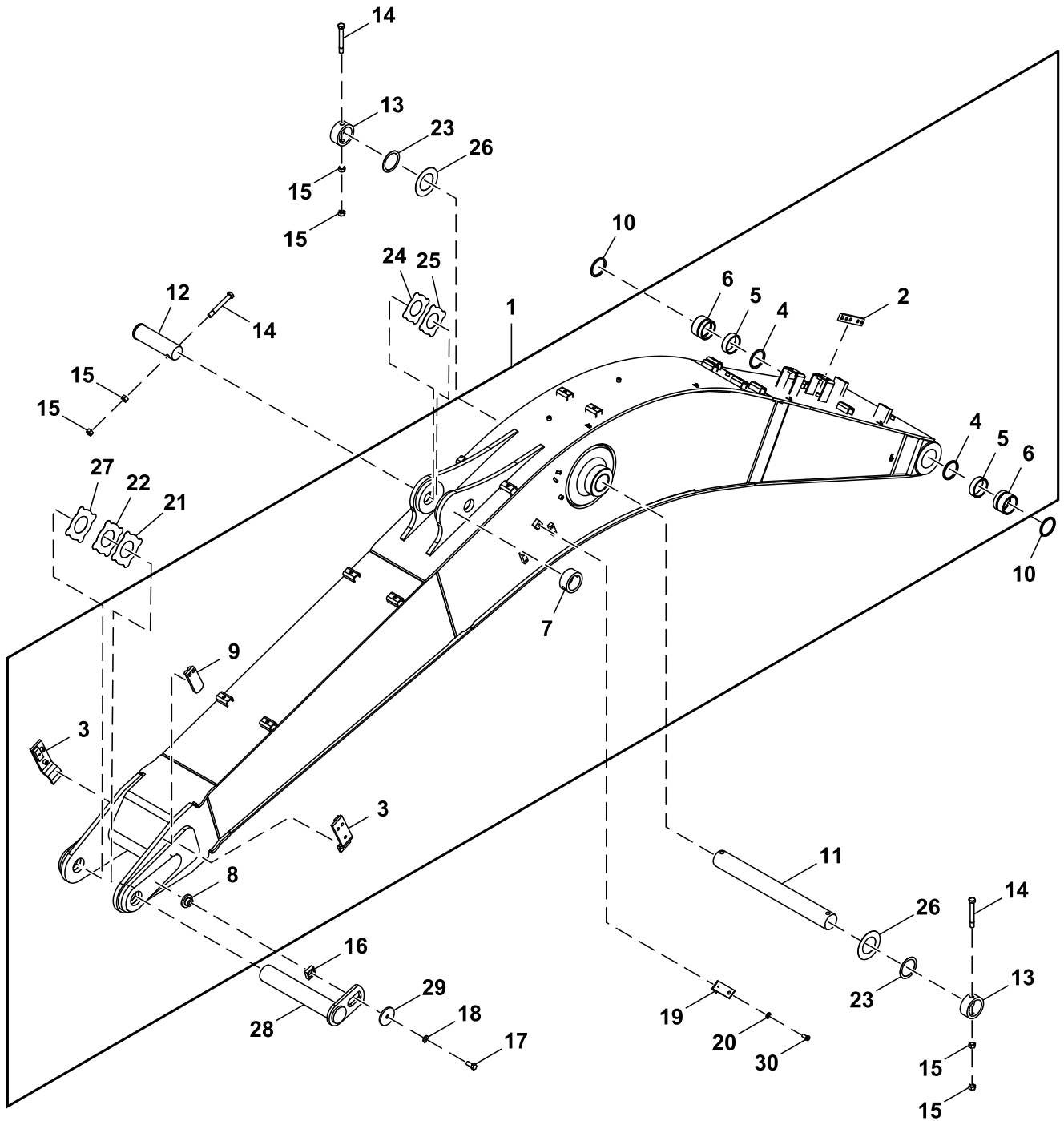
TX1256296

0 — 0A,0B,0C,0D,
0E,0F,0G,0H,0J

Key	Part No.	Part Name	Qty.	Serial No.	Remarks
0	7047110H	Arm	1		SUB FOR 7047110
0A	Arm	1		5009668 NSEP
0B	4434953	Stop	1		
0C	4443881	Bushing	2		
0D	TH102445	Seal	2		SUB FOR 4067901
0E	4435239	Stop	1		
0F	4409122	Bushing	2		
0G	FF535337	Bushing	2		Steel
0H	8070638	Boss	1		Replacement Arm End Parts
0J	FF551230	Screw	1		
1	TH102446	Seal	2		SUB FOR 4067902
2	TH104472	Seal	2		SUB FOR 4084578
3	4067901	Seal	2		
4	3088575	Pin	1		
5	3088578	Pin Fastener	1		
6	AT317252	Pin Fastener	1		SUB FOR 3088581
7	3088579	Pin Fastener	1		
8	3088577	Pin Fastener	1		
9	3088580	Pin Fastener	1		
11	4435126	Pin Fastener	2		
12	14M7277	Nut	4		M20, SUB FOR J950020 AND 3063826
13	4435124	Pin Fastener	2		
14	14M7276	Nut	4		M16, SUB FOR J950016
16	4089028	O-Ring	2		Standard O-Ring
	AT349466	Seal	2		Split O-Ring
	T379473	V-Ring Seal	2		V O-Ring
17	J75481	Fitting	6		
18	4628043	Hydraulic Hose	2		
19	T77858	O-Ring	2		SUB FOR 4187308
20	A853166	Adapter Fitting	2		INCLUDES AT318035
	AT318035	O-Ring	1		SUB FOR 4506424
21	FF110003	Shim	1		1 mm (0.04 in)
22	FF110004	Shim	1		2 mm (0.078 in)
23	FF110006	Shim	1		1 mm (0.04 in)
24	FF110005	Shim	1		2 mm (0.078 in)
25	FF110022	Shim	4		1 mm (0.04 in)
26	FF110021	Shim	2		1 mm (0.04 in)
48	19H3256	Cap Screw	1		5/8" X 6", SUB FOR AC01130NC
49	14H1039	Nut	2		5/8", SUB FOR AC07007NC
50	9312272H	Cylinder	1		9248307H NLA, Bucket Cylinder, Components On Separate Page
52	FF106009	Shim	2		
53	4434246	Bracket	2	340891-	
54	FF554193	Bracket	2	340891-	

Boom, Machine Guidance

TX1256131 A.1

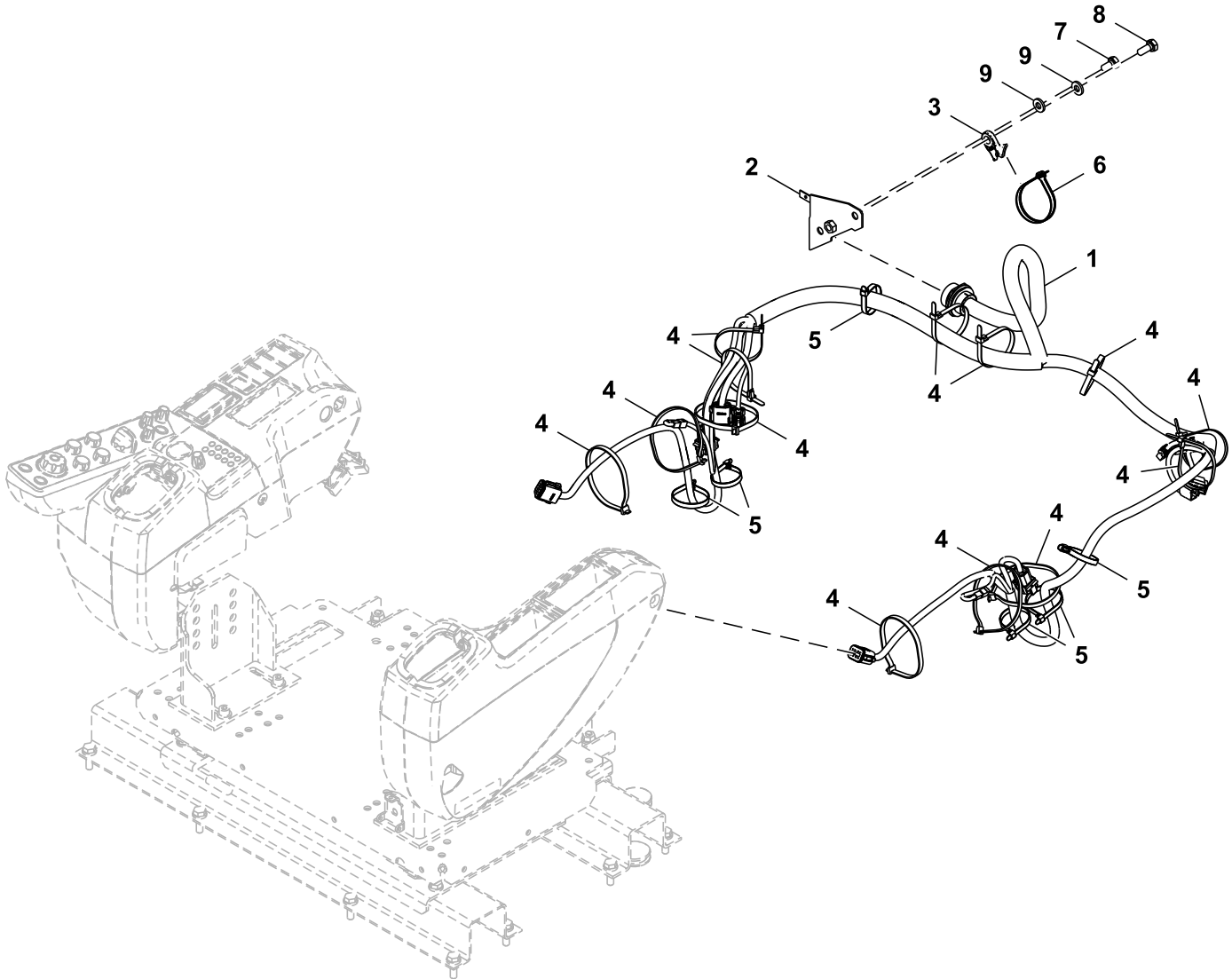


FF550540_TX1256131

Key	Part No.	Part Name	Qty.	Serial No.	Remarks
1	7046189H	Excavator Boom	1		
2	4624799	Block Clamp	1		SUB FOR 7046189
3	8118420	Bracket	2		
4	TH102445	Seal	2		SUB FOR 4067901
5	4402460	Bushing	2		
6	4443880	Bushing	2		
7	4434953	Stop	1		
8	4426117	Stop	1		
9	FF550563	Bracket	1		
10	TH102445	Seal	2		SUB FOR 4067901
11	3088574	Pin	1		
12	FF850211	Pin Fastener	1		SUB FOR 3088575
13	TH102409	Bushing	2		SUB FOR 4067720
14	4435126	Pin Fastener	3		
15	14M7277	Nut	6		M20, SUB FOR J950020
16	4424425	Spacer	1		
17	T116332	Bolt	1		SUB FOR J921840
18	24M7353	Washer	1		20 X 34 X 3 mm, SUB FOR J222018
19	4224631	Angle	1		
20	J222014	Washer	1		
21	FF110001	Shim	1		
22	FF110002	Shim	1		
23	FF110010	Shim	2		
24	FF110003	Shim	1		
25	FF110004	Shim	1		
26	FF110023	Shim	2		
27	FF110026	Shim	1		
28	8102957	Pin	1		
29	4640621	Plate	1		
30	19M7877	Cap Screw	1		M14 X 30, SUB FOR J901430

Machine Guidance Wiring Harness, Cab

TX1255856 A.1

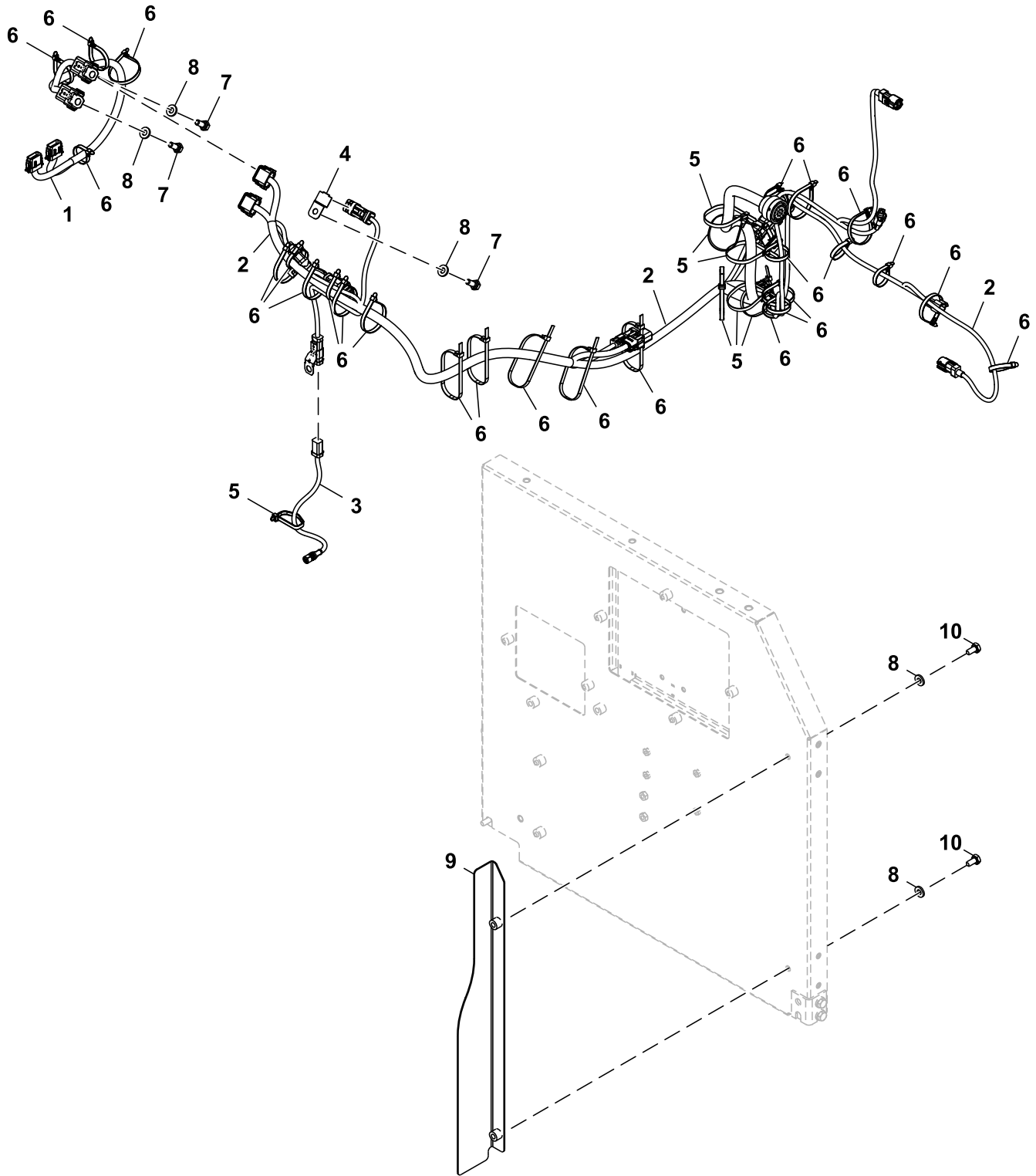


FF551021_TX1255856

<i>Key</i>	<i>Part No.</i>	<i>Part Name</i>	<i>Qty.</i>	<i>Serial No.</i>	<i>Remarks</i>
1	AT499639	Wiring Harness	1		SUB FOR AT495022, Cab, Machine Guidance
2	FF551595	Bracket	1		
3	N380408	Clamp	1		
4	H77698	Tie Band	13		SUB FOR 4121859
5	DH400240	Tie Band	6		
6	H224073	Tie Band	1		
7	19M7938	Cap Screw	1		M10 X 20, SUB FOR J901020
8	19M7402	Cap Screw	1		M10 X 25, SUB FOR J901025
9	24M7346	Washer	2		11 X 20 X 2 mm, SUB FOR DH400703

Interface Wiring Harness, Machine Guidance

TX1256308 B.1

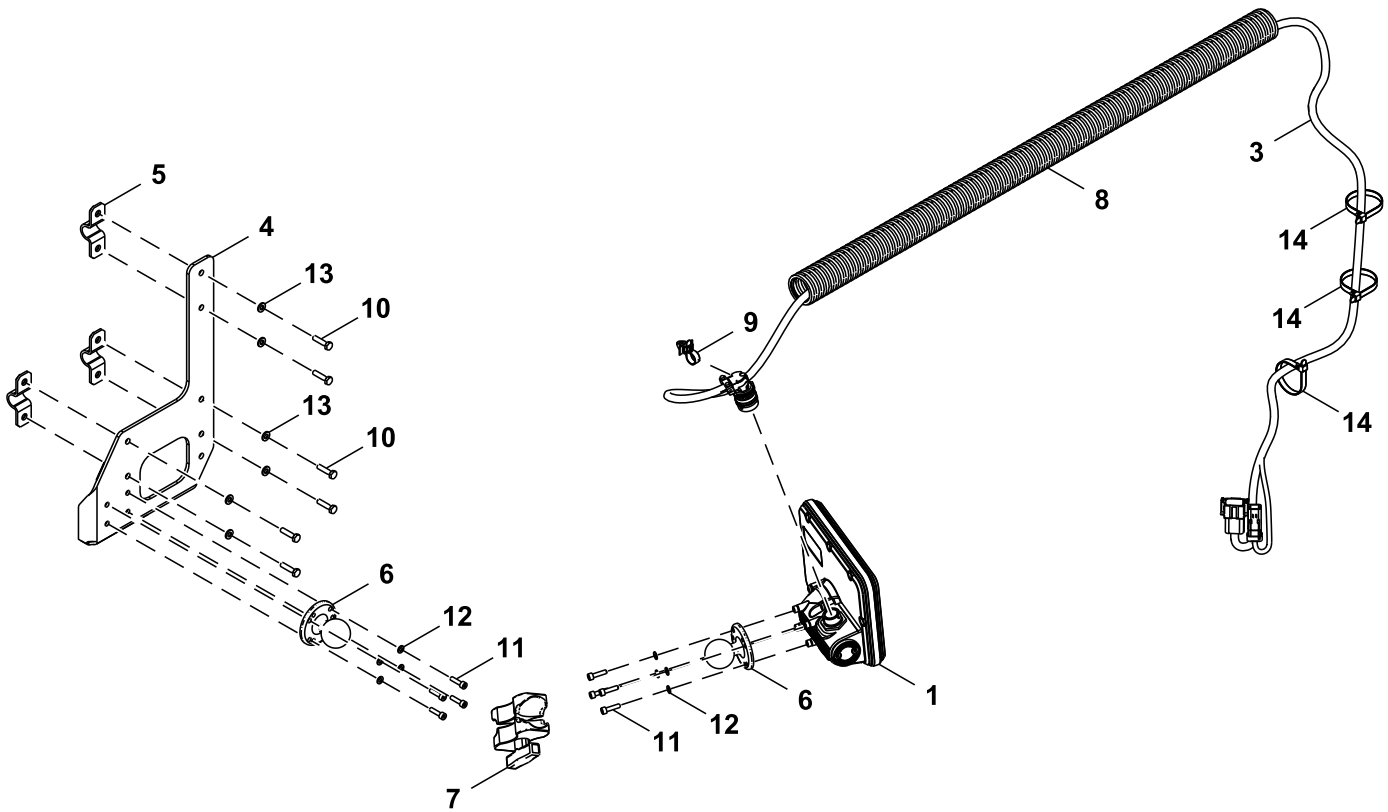


TX1256308

<i>Key</i>	<i>Part No.</i>	<i>Part Name</i>	<i>Qty.</i>	<i>Serial No.</i>	<i>Remarks</i>
1	AT499641	Wiring Harness	1		SUB FOR AT495029, Controller Interface
2	AT499638	Wiring Harness	1		SUB FOR AT495021, Chassis
3	AT499648	Wiring Harness	1		SUB FOR AT495039, Jumper
4	4448037	Bracket	1		
5	H77698	Tie Band	7		SUB FOR 4121859
6	DH400240	Tie Band	27		
7	19M7402	Cap Screw	3		M10 X 25, SUB FOR J901025
8	24M7346	Washer	5		11 X 20 X 2 mm, SUB FOR DH400703
9	FF552806	Cover	1		
10	19M7938	Cap Screw	2		M10 X 20, SUB FOR J901020

Machine Guidance Monitor and Wiring Harness

TX1255871 B.1

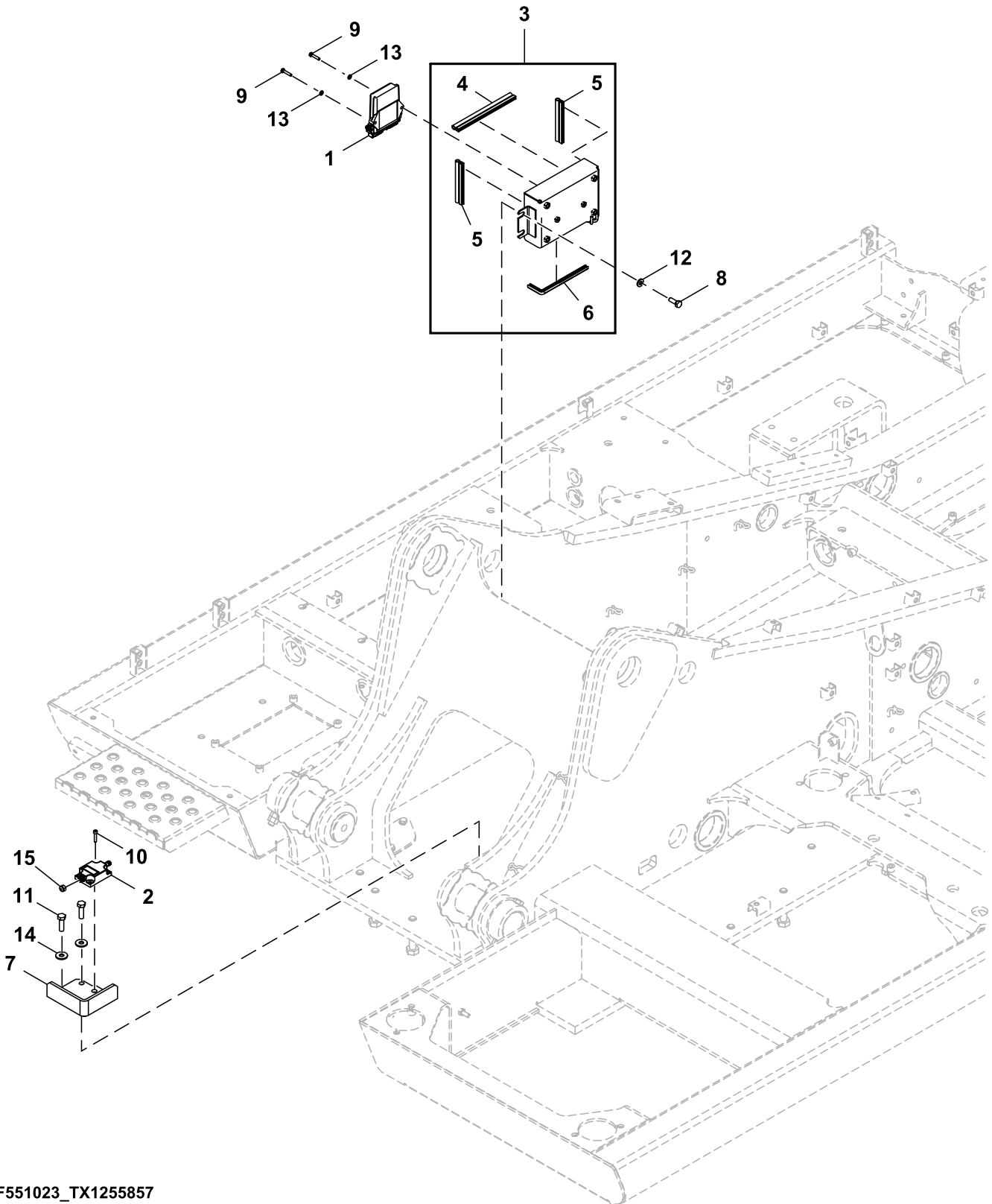


FF551020_TX1255871

Key	Part No.	Part Name	Qty.	Serial No.	Remarks
1	AT499466	Digital Display	1		Machine Guidance SUB FOR AT495034, Monitor
3	AT499646	Wiring Harness	1		
4	FYA40038596	Bracket	1		
5	9767857	Clamp	3		
6	FYA00050108	Mounting Parts	2		
7	FYA00055024	Mounting Parts	1		
8	FF551640	Shield	1		
9	4259220	Clip	1		
10	19M7286	Cap Screw	6		M6 X 25, SUB FOR J900625
11	19M8581	Screw	8		M5 X 20, SUB FOR J780520
12	24M7027	Washer	8		5.300 X 10 X 1 mm, SUB FOR A590105
13	24M7054	Washer	6		6.400 X 12 X 1.600 mm, SUB FOR A590106
14	DH400240	Tie Band	3		

Main Controller, Machine Guidance

TX1255857 B.1

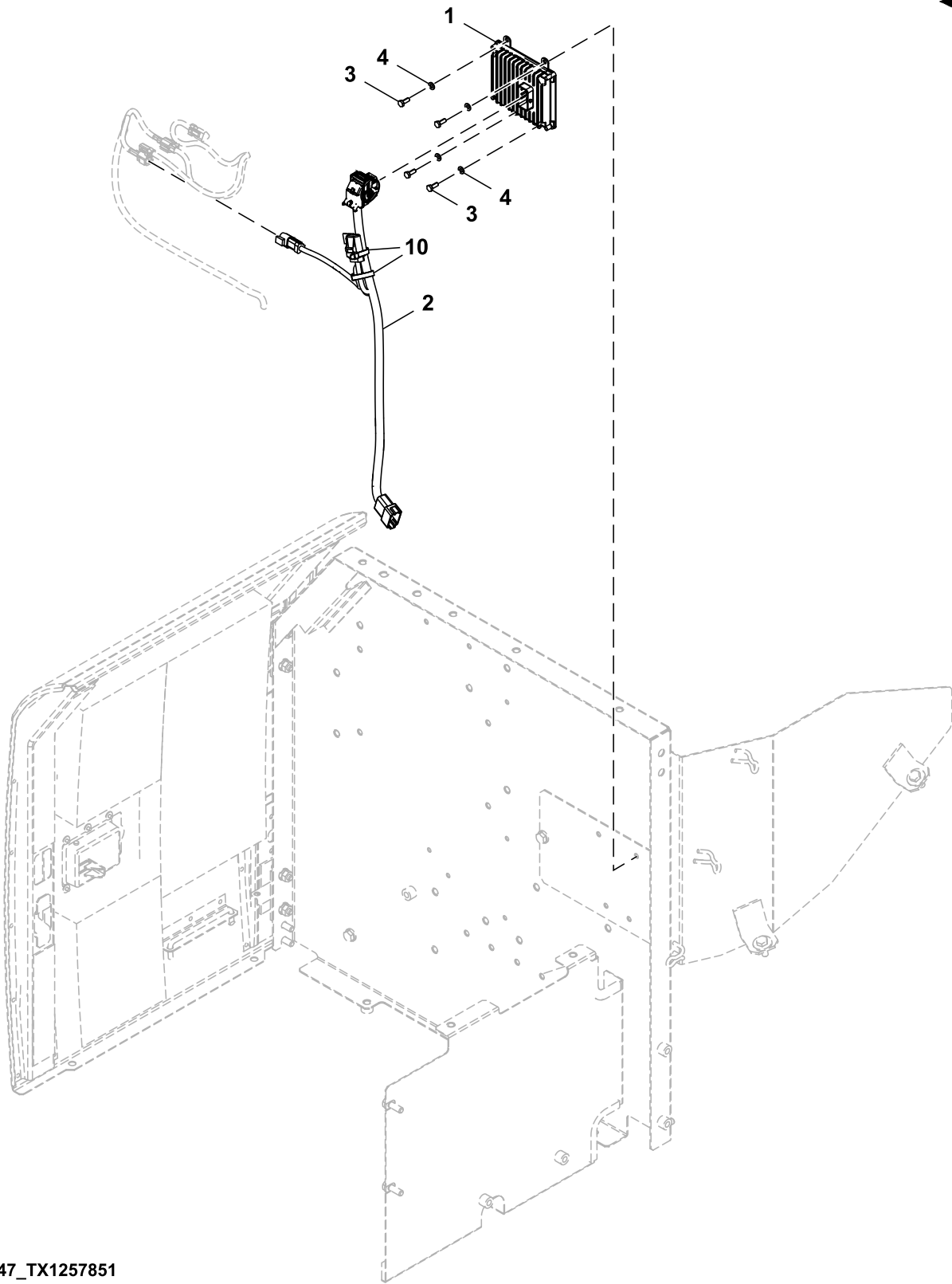


FF551023_TX1255857

Key	Part No.	Part Name	Qty.	Serial No.	Remarks
1	AT486360	Vehicle Controller	1		Main Controller, Machine Guidance Machine Guidance Inclinometer
2	AT487662	Multi-Functional Controller	1		
3	FF551396	Bracket	1		
4	4711577	Sealing Trim	1		
5	4670670	Seal	2		
6	FYA00019431	Sealing Trim	1		
7	FF550470	Bracket	1		
8	19M7662	Cap Screw	4		M10 X 30, SUB FOR J901030
9	19M7318	Screw	2		M6 X 30, SUB FOR J900630
10	J780630	Bolt	4		
11	19M7493	Cap Screw	2		M12 X 40, SUB FOR J901240
12	24M7346	Washer	4		11 X 20 X 2 mm, SUB FOR DH400703
13	24M7054	Washer	2		6.400 X 12 X 1.600 mm, SUB FOR A590106
14	24H1748	Washer	2		1/2" X 1-1/4" X 0.105", SUB FOR Z449490
15	T421988	Cap	1		

Flex Power Controller (FPC), Machine Guidance

TX1257851 B.1

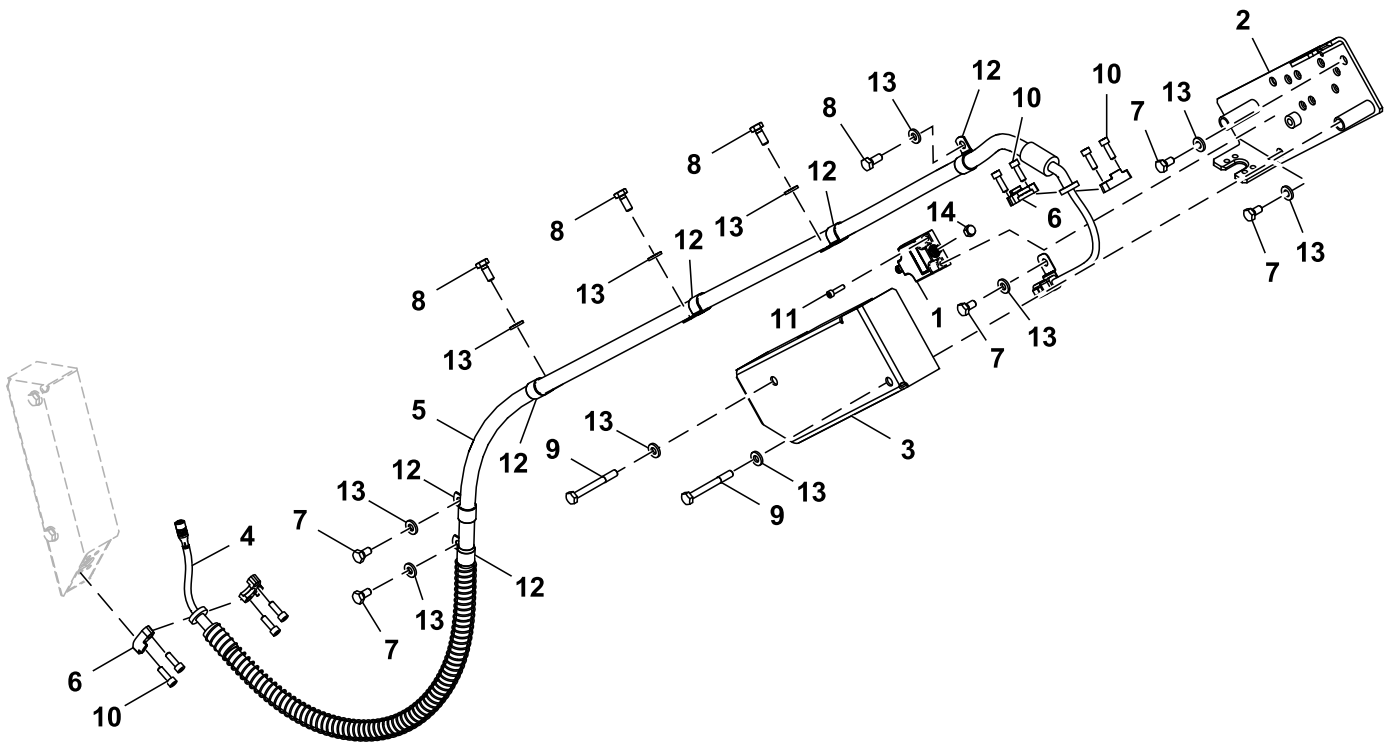


FF551647_TX1257851

<i>Key</i>	<i>Part No.</i>	<i>Part Name</i>	<i>Qty.</i>	<i>Serial No.</i>	<i>Remarks</i>
1	AT458826	Electronic Control Unit	1		FPC
2	AT500651	Wiring Harness	1		Jumper, FPC
3	19M7560	Cap Screw	4		M6 X 16, SUB FOR J900616
4	24M7054	Washer	4		6.400 X 12 X 1.600 mm, SUB FOR A590106
10	DH400240	Tie Band	2		

Machine Guidance Inclinometer, Arm

TX1256200 D.1



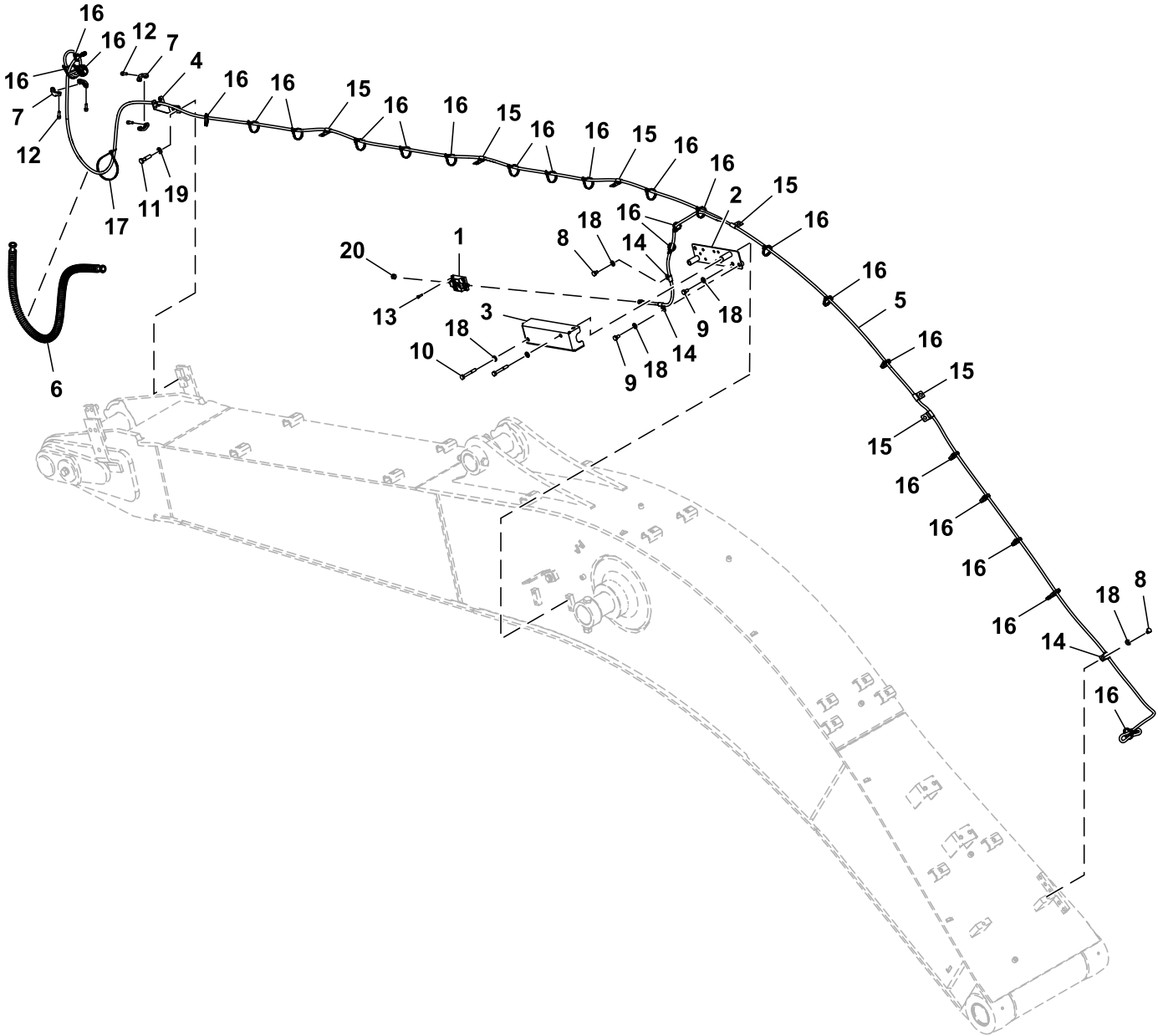
FF551026_TX1256200

4 — 5

<i>Key</i>	<i>Part No.</i>	<i>Part Name</i>	<i>Qty.</i>	<i>Serial No.</i>	<i>Remarks</i>
1	AT487661	Multi-Functional Controller	1		Machine Guidance Inclinometer
2	FF551045	Bracket	1		
3	FF551279	Cover	1		
4	AT499637	Wiring Harness	1		SUB FOR AT495019, Bucket
5	Conduit	1		AT499653 NLA; SUB FOR AT487307
6	4510173	Fitting	4		
7	19M7938	Cap Screw	5		M10 X 20, SUB FOR J901020
8	19M7402	Cap Screw	4		M10 X 25, SUB FOR J901025
9	19M8183	Cap Screw	2		M10 X 90, SUB FOR J901090
10	19M7657	Screw	8		M8 X 25, SUB FOR J780825
11	19M8505	Screw	4		M6 X 25, SUB FOR J780625
12	4190277	Clamp	6		
13	24M7346	Washer	11		11 X 20 X 2 mm, SUB FOR DH400703
14	T421988	Cap	1		

Machine Guidance Inclinometer, Boom

TX1256114 B.1



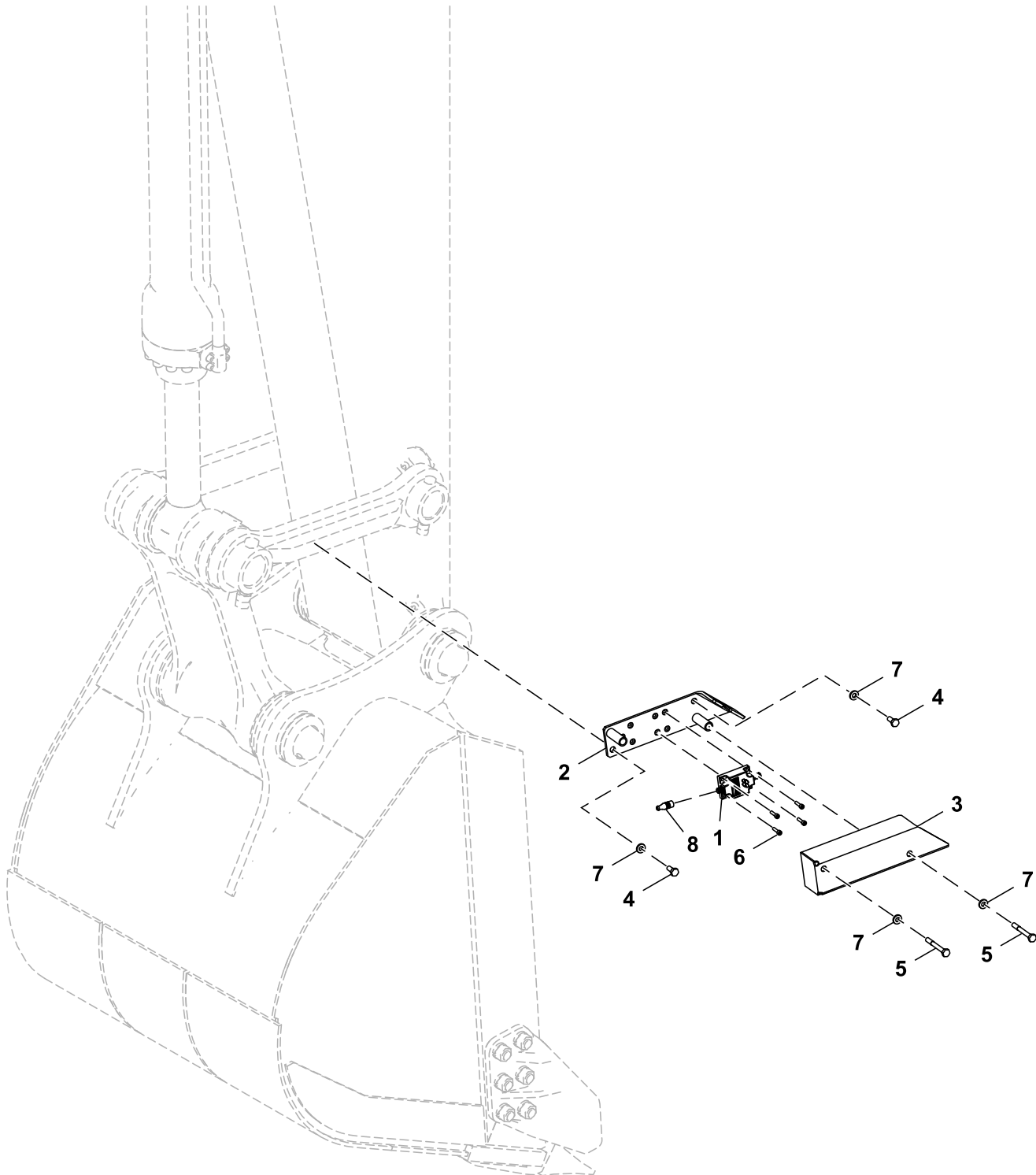
FF551025_TX1256114

5 — 6

Key	Part No.	Part Name	Qty.	Serial No.	Remarks
1	AT487661	Multi-Functional Controller	1		Machine Guidance Inclinometer
2	FF550537	Bracket	1		
3	FF552270	Cover	1		
4	FYA00054114	Bracket	1		
5	AT499643	Wiring Harness	1		SUB FOR AT495031, Front, Machine Guidance
6	Conduit	1		AT499652 NLA; SUB FOR AT487308
7	4510173	Fitting	4		
8	19M8324	Cap Screw	2		M10 X 16, SUB FOR J901016
9	19M7938	Cap Screw	3		M10 X 20, SUB FOR J901020
10	19M7329	Cap Screw	2		M10 X 75, SUB FOR J901075
11	19M7361	Cap Screw	2		M12 X 50, SUB FOR J901250
12	19M7657	Screw	8		M8 X 25, SUB FOR J780825
13	19M8627	Screw	4		M6 X 20, SUB FOR J780620
14	4190261	Clip	3		
15	FYA00033674	Clip	6		
16	DH400240	Tie Band	24		
17	H77698	Tie Band	1		SUB FOR 4121859
18	24M7346	Washer	7		11 X 20 X 2 mm, SUB FOR DH400703
19	DH400704	Washer	2		
20	T421988	Cap	1		

Machine Guidance Inclinometer, Bucket

TX1256335 B.1

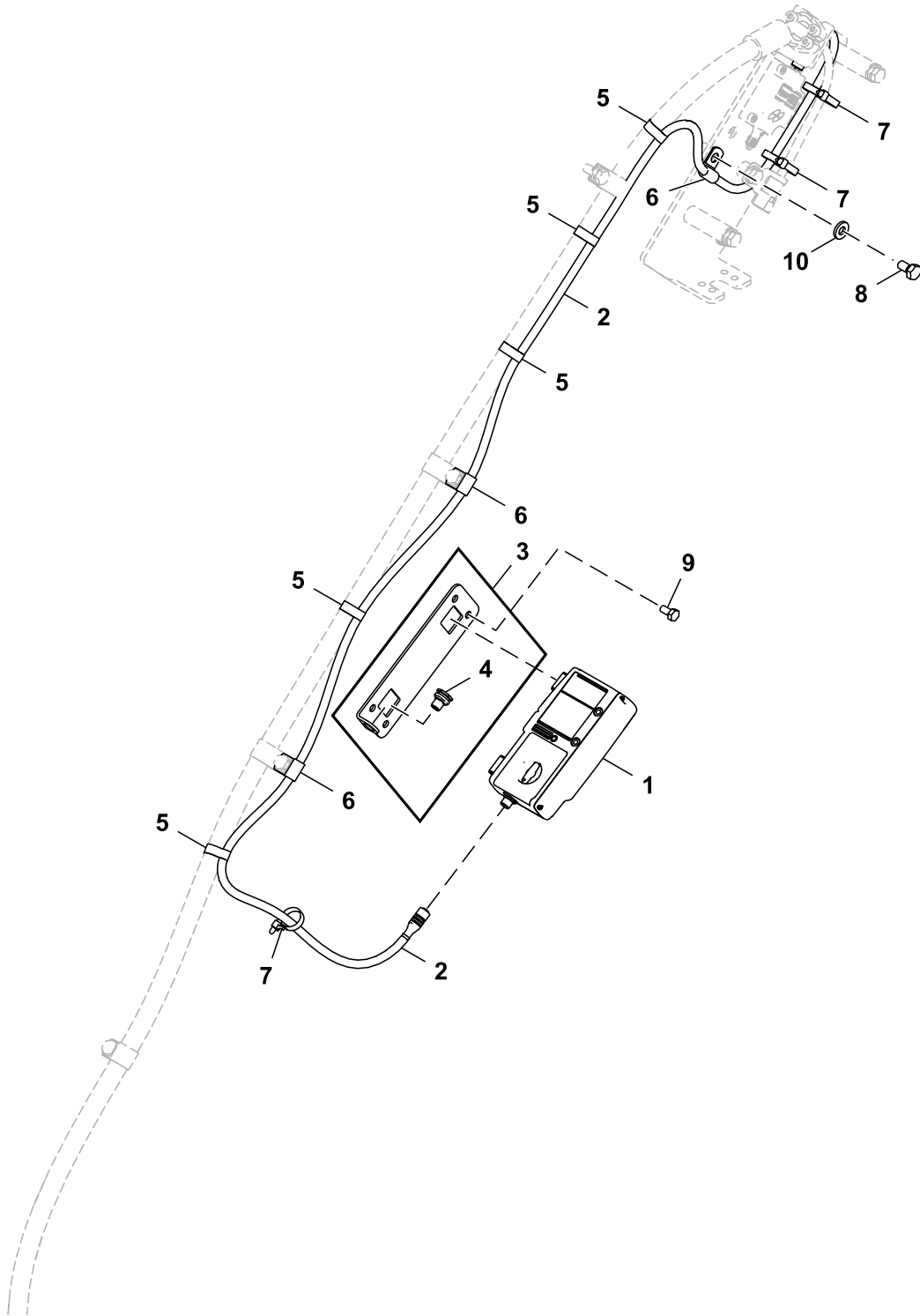


FF551024_TX1256335

<i>Key</i>	<i>Part No.</i>	<i>Part Name</i>	<i>Qty.</i>	<i>Serial No.</i>	<i>Remarks</i>
1	AT487661	Multi-Functional Controller	1		Machine Guidance Inclinometer
2	FF550515	Bracket	1		
3	FF552272	Cover	1		
4	19M7402	Cap Screw	2		M10 X 25, SUB FOR J901025
5	19M8197	Cap Screw	2		M10 X 85, SUB FOR J901085
6	19M8505	Screw	4		M6 X 25, SUB FOR J780625
7	24M7346	Washer	4		11 X 20 X 2 mm, SUB FOR DH400703
8	AT501381	Electronic Terminator	1		

Laser Sensor and Wiring Harness, Machine Guidance

TX1256146 A.1

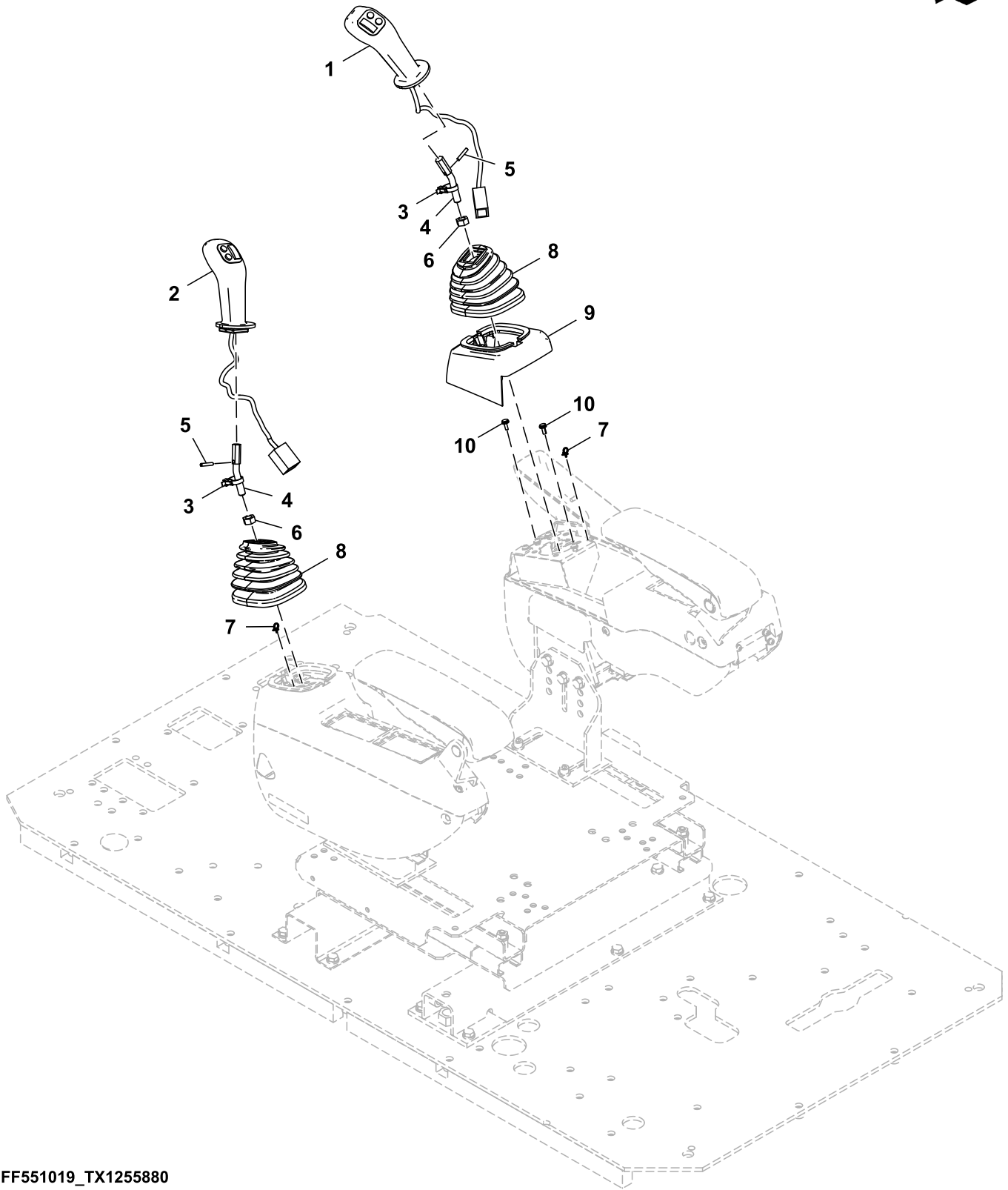


FF551029_TX1256146

<i>Key</i>	<i>Part No.</i>	<i>Part Name</i>	<i>Qty.</i>	<i>Serial No.</i>	<i>Remarks</i>
1	AT487666	Sensor	1		LS-B10, Laser, Machine Guidance
2	AT499644	Wiring Harness	1		SUB FOR AT495032, Laser, Machine Guidance
3	FF551940	Bracket	1		
4	AT487669	Elec. Connector Terminal	1		
5	FF551919	Clip	5		
6	4190261	Clip	3		
7	DH400240	Tie Band	3		
8	19M7938	Cap Screw	1		M10 X 20, SUB FOR J901020
9	19M7162	Cap Screw	4		M8 X 16, SUB FOR J900816
10	24M7346	Washer	1		11 X 20 X 2 mm, SUB FOR DH400703

Pilot Controllers, Machine Guidance

TX1255880 A.1

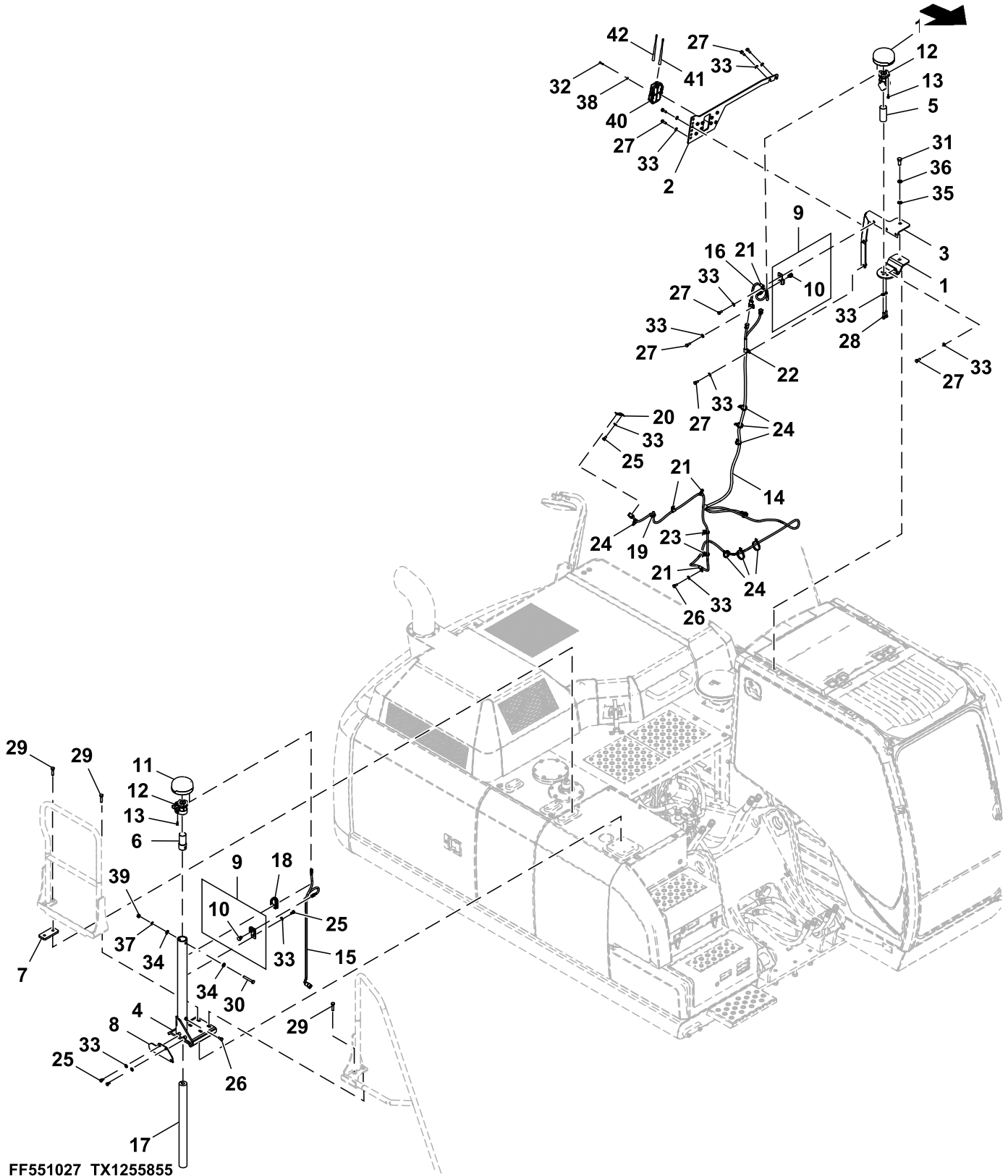


FF551019_TX1255880

Key	Part No.	Part Name	Qty.	Serial No.	Remarks
1	FYA00040829	Grip	1		Right
2	FYA00005470	Grip	1		Left
3	H77698	Tie Band	2		SUB FOR 4055311
4	4728520	Shaft	2		
5	4034733	Spring Pin	2		
6	14M7275	Nut	2		M12, SUB FOR J950012
7	H77698	Tie Band	2		SUB FOR 4300351
8	2060151	Boot	2		
9	FYA00030889	Cover	1		
10	Screw With Washer	2		J460616 NLA
	12M7006	Lock Washer	2		6 mm
	19M8425	Cap Screw	2		M6 X 16
	24M7293	Washer	2		6.500 X 13 X 1.600 mm

Global Navigation Satellite System (GNSS), Machine Guidance

TX1255855 A.1



FF551027_TX1255855

Key	Part No.	Part Name	Qty.	Serial No.	Remarks
1	FF550751	Bracket	1		
2	FF550756	Bracket	1		
3	FF550763	Bracket	1		
4	FF551010	Bracket	1		
5	FF550754	Adapter	1		
6	FF551189	Adapter	1		
7	FF550761	Plate	1		
8	FF551012	Cover	1		
9	FF552032	Bracket	2		
10	AT487669	Elec. Connector Terminal	1		
11	AT490114	Antenna	2		GNSS, Machine Guidance
12	AT491937	Clamp	2		
13	19M7768	Screw	8		M6 X 16, SUB FOR J780616
14	AT502667	Wiring Harness	1		Radio, SUB FOR AT499642 AND AT495030
15	AT499645	Wiring Harness	1		GNSS, Antenna, Toolbox, SUB FOR AT495033
16	AT499649	Wiring Harness	1		GNSS, Antenna, Cab, SUB FOR AT495045
17	FF551192	Isolator	1		
18	4217048	Bushing	1		
19	FF551251	Shield	1		
20	57M8736	Elec. Connector Accessory	1		
21	4190261	Clip	4		
22	4190275	Clamp	1		
23	AH225364	Clip	2		
24	DH400240	Tie Band	7		
25	19M7938	Cap Screw	4		M10 X 20, SUB FOR J901020
26	19M7402	Cap Screw	2		M10 X 25, SUB FOR J901025
27	19M7662	Cap Screw	9		M10 X 30, SUB FOR J901030
28	19M7358	Cap Screw	2		M10 X 40, SUB FOR J901040
29	19M7361	Cap Screw	6		M12 X 50, SUB FOR J921250
30	19M8122	Cap Screw	1		M12 X 85, SUB FOR J901285
31	19M7488	Cap Screw	1		M16 X 40, SUB FOR J901640
32	19M8505	Screw	4		M6 X 25, SUB FOR J780625
33	24M7346	Washer	16		11 X 20 X 2 mm, SUB FOR DH400703
34	DH400704	Washer	2		
35	24M7053	Washer	1		17 X 30 X 3 mm, SUB FOR A590116
36	12H294	Lock Washer	1		5/8", SUB FOR A590916
37	12H301	Lock Washer	1		1/2", SUB FOR A590912
38	24M7054	Washer	4		6.400 X 12 X 1.600 mm, SUB FOR A590106
39	14M7275	Nut	1		M12, SUB FOR J950012
40	AT486359	Control	1		Radio, Machine Guidance
41	AT486362	Antenna	1		450 MHz, Radio, Machine Guidance
42	AT495357	Antenna	1		915 MHz, Radio, Machine Guidance

Numerical Index

Part No.	Key	Page	Part No.	Key	Page	Part No.	Key	Page
0001193	11A	817	0280508120	23	197	0280508700	10	205
0003542	1	817	0280508120	24	205	0280508900	34	149
0005251	0	51	0280508120	8	209	0280508900	34	245
0005251	0	53	0280508120	2	215	0280510200	14	161
0005251R	0	51	0280508120	7	229	0280510200	17	161
0005251R	0	53	0280508120	23	231	0280510200	14	255
0005252	1	51	0280508120	9	233	0280510200	17	255
0005252	1	53	0280508120	2	243	0280510350	16	161
0005252R	1	51	0280508120	14	245	0280510350	16	255
0005252R	1	53	0280508120	1	269	0280510350	38	293
0035743000	7	129	0280508120	13	87	0280510500	18	161
0035743000	7	227	0280508120	7	95	0280510500	18	255
0104404	21	805	0280508120	23	99	0280558110	3	161
0109608350	23	165	0280508160	24	107	0280558110	3	255
0109608350	40	259	0280508160	8	111	0280558120	6	107
0111707	21	801	0280508160	2	117	0280558120	6	205
0111707	21	803	0280508160	7	131	0280608120	3	147
0111707	19	807	0280508160	23	133	0280608120	3	243
0168060850	10	151	0280508160	9	135	0280608160	13	145
0168060850	9	185	0280508160	2	147	0280608160	2	197
0168060850	9	87	0280508160	14	149	0280608160	13	241
0169564600	6	197	0280508160	1	173	0280608160	2	99
0169564600	6	99	0280508160	13	185	0280608250	8	145
0208010160	7	143	0280508160	7	193	0280608250	8	241
0208304	5	801	0280508160	23	197	0280608300	9	145
0208304	5	803	0280508160	24	205	0280608300	9	241
0208306	8	801	0280508160	8	209	0280608350	21	165
0208306	8	803	0280508160	2	215	0280608350	38	259
0208510160	7	143	0280508160	7	229	0280608350	46	259
0208516	38	805	0280508160	23	231	0280608350	38	263
0208516	34	807	0280508160	9	233	0280608400	16	167
0208604	5	807	0280508160	2	243	0280608400	41	259
0208606	8	807	0280508160	14	245	0280608400	41	263
0218607	12	591	0280508160	1	269	0280608450	22	165
0219305	12	805	0280508160	13	87	0280608450	24	165
0221509	43	825	0280508160	7	95	0280608450	11	167
0224115	37	805	0280508160	23	99	0280608450	39	259
0224422	28	587	0280508200	25	107	0280608450	42	259
0225209	74	591	0280508200	10	143	0280608450	42	261
0225614	14	807	0280508200	1	173	0280608450	39	263
0225709	39	805	0280508200	12	191	0280608450	42	263
0236905	5	805	0280508200	25	205	0280608500	12	167
0236915H	36A	801	0280508200	10	239	0280608500	15	167
0236915H	36B	801	0280508200	1	269	0280608500	43	261
0236915H	36A	803	0280508200	12	93	0280608700	4	113
0236915H	36B	803	0280508250	3	107	0280608700	4	211
0239514250	3	197	0280508250	8	131	0280610200	14	151
0239514250	3	99	0280508250	10	135	0280610200	25	247
0254312	37A	801	0280508250	21	135	0280610350	25	165
0254312	37A	803	0280508250	2	149	0280610350	13	167
0258205	16	801	0280508250	3	205	0280610350	44	259
0258205	16	803	0280508250	8	229	0280610350	44	261
0261308	19	801	0280508250	10	233	0280610400	47	261
0261308	19	803	0280508250	21	233	0280806120	30	107
0261310	11	801	0280508250	2	245	0280806120	4	141
0261310	11	803	0280508300	4	107	0280806120	25	197
0263019	45	825	0280508300	32	149	0280806120	30	205
0280506120	16	105	0280508300	4	205	0280806120	4	237
0280506120	30	107	0280508300	32	245	0280806120	25	99
0280506120	4	141	0280508350	33	149	0280808200	25	107
0280506120	20	165	0280508350	4	149	0280808200	10	143
0280506120	25	197	0280508350	24	187	0280808200	1	173
0280506120	16	203	0280508350	33	245	0280808200	12	191
0280506120	30	205	0280508350	4	245	0280808200	25	205
0280506120	4	237	0280508350	24	89	0280808200	10	239
0280506120	37	259	0280508400	11	143	0280808200	1	269
0280506120	25	99	0280508400	25	195	0280808200	37	293
0280506160	13	105	0280508400	11	239	0280808200	12	93
0280506160	13	203	0280508400	25	97	0280808250	3	107
0280506250	15	193	0280508450	14	185	0280808250	8	131
0280506250	15	95	0280508450	14	87	0280808250	10	135
0280508000	3	129	0280508500	6	119	0280808250	21	135
0280508000	3	227	0280508500	1	129	0280808250	2	149
0280508120	24	107	0280508500	6	217	0280808250	3	205
0280508120	8	111	0280508500	1	227	0280808250	8	229
0280508120	2	117	0280508600	5	107	0280808250	10	233
0280508120	7	131	0280508600	11	135	0280808250	21	233
0280508120	23	133	0280508600	3	149	0280808250	2	245
0280508120	9	135	0280508600	4	161	0280808350	33	149
0280508120	2	147	0280508600	5	205	0280808350	4	149
0280508120	14	149	0280508600	11	233	0280808350	24	187
0280508120	1	173	0280508600	3	245	0280808350	33	245
0280508120	13	185	0280508600	4	255	0280808350	4	245
0280508120	7	193	0280508700	10	107	0280808350	24	89

Numerical Index - Continued

Part No.	Key	Page	Part No.	Key	Page	Part No.	Key	Page
0280808400	11	143	0281810000	12	241	0410106300	1	233
0280808400	25	195	0281810160	12	111	0410108180	7	103
0280808400	11	239	0281810160	1	173	0410108180	7	201
0280808400	25	97	0281810160	12	209	0410108200	8	147
0280808500	6	119	0281810160	1	269	0410108200	8	243
0280808500	1	129	0281810300	9	149	0410108250	9	107
0280808500	6	217	0281810300	9	245	0410108250	9	205
0280808500	1	227	0281812350	9	105	0413712	97	587
0280808600	5	107	0281812350	9	203	0440112300	5	105
0280808600	11	135	0281812500	10	185	0440112300	5	203
0280808600	3	149	0281812500	10	87	0440112550	6	105
0280808600	5	205	0281812600	27	149	0440112550	6	203
0280808600	11	233	0281812600	27	245	0444001	50	571
0280808600	3	245	0286508200	19	149	0455002	95	587
0280808700	10	107	0286508200	19	245	0455002	95	591
0280808700	10	205	0286508300	11	107	0459541	82	585
0280808900	34	149	0286508300	9	133	0459541	82	587
0280808900	34	245	0286508300	5	137	0459541	82	589
0280858120	6	107	0286508300	11	205	0459541	82	591
0280858120	6	205	0286508300	9	231	0491408600	19	187
0280908120	3	147	0286508300	5	235	0491408600	19	89
0280908120	3	243	0286508350	1	103	0496605	15	807
0280908250	8	145	0286508350	7	183	0497408600	19	187
0280908250	8	241	0286508350	1	201	0497408600	19	89
0280908300	9	145	0286508350	7	85	0500806160	11	127
0280908300	9	241	0286510200	15	161	0500806160	11	225
0280908450	11	167	0286510200	15	255	0505406160	11	127
0280908700	4	113	0286510250	1	161	0505406160	11	225
0280908700	4	211	0286510250	1	255	0583308300	37	149
0280910200	14	151	0286608250	28	149	0583308300	37	245
0281210300	9	149	0286608250	28	245	0624904	1	699
0281210300	9	245	0286808350	1	103	0625509	21	825
0281510000	4	143	0286808350	7	183	0667006	9	807
0281510000	12	145	0286808350	1	201	0667013	33	807
0281510000	4	239	0286808350	7	85	0667204	9	801
0281510000	12	241	0286908250	28	149	0667204	9	803
0281510160	12	111	0286908250	28	245	0667205	14	801
0281510160	1	173	0287510400	2	105	0667205	14	803
0281510160	12	209	0287510400	2	203	0667405	8	805
0281510160	1	269	0287810400	2	105	0667406	9	805
0281510200	9	109	0287810400	2	203	0667411	23	805
0281510200	10	111	0309004	4	801	0667726	91	591
0281510200	5	123	0309004	4	803	0667927	90	589
0281510200	3	185	0309011	20	801	0667927	90	591
0281510200	9	207	0309011	20	803	0667931	94	589
0281510200	10	209	0309011	18	807	0668007	22	585
0281510200	5	221	0309021	32	807	0668007	22	589
0281510200	3	87	0309204	4	805	0668007	22	591
0281510250	3	143	0309210	16	805	0668108	13	589
0281510250	3	239	0309212	19	805	0668108	13	591
0281510300	9	149	0309219	36	805	0668111	7	585
0281510300	9	245	0309219H	36	805	0668111	7	591
0281510500	2	137	0309221	33	805	0668112	8	585
0281510500	35	149	0309304	4	807	0668112	8	589
0281510500	8	185	0309312	24	807	0668112	8	591
0281510500	2	235	0309731	4	587	0677203	27	825
0281510500	35	245	0309732	11	585	0682503	11	583
0281510500	8	87	0310904	11	807	0686409	33	801
0281510700	5	113	0310908	17	807	0686409	33	803
0281510700	36	149	0332904	16	587	0689405	81	585
0281510700	5	211	0332914	11	585	0692708	29	825
0281510700	36	245	0332924	58B	585	0695007	80	585
0281510800	10	151	0332924	27	589	0695007	80	587
0281510800	9	185	0332924	58B	589	0695007	80	589
0281510800	26	247	0350504080	10	183	0695007	80	591
0281510800	9	87	0350504080	10	85	0714503	73	591
0281510900	5	143	0352715	20	805	0714504	71	591
0281510900	5	239	0408411	7	687	0732608	8	699
0281512000	3	137	0409110	36	807	0735807	17	587
0281512000	3	235	0409215	18	825	0788703	13	697
0281512300	5	185	0409216	19	825	0788704	14	697
0281512300	5	87	0409705	12	801	0788705	15	697
0281512350	9	105	0409705	12	803	0788706	16	697
0281512350	9	203	0409705	12	807	0788707	17	697
0281512500	10	185	0409706	13	801	0788710	33	697
0281512500	10	87	0409706	13	803	0788711	34	697
0281512600	27	149	0409709	17	801	0788712	35	697
0281512600	27	245	0409709	17	803	0788713	36	697
0281560130	5	161	0409915	24	805	0788801	2	825
0281560130	5	255	0409916	25	805	0788803	10	825
0281810000	4	143	0410106120	7	141	0788804	11	825
0281810000	12	145	0410106120	7	237	0788805	12	825
0281810000	4	239	0410106300	1	135	0788806	13	825

Numerical Index - Continued

Part No.	Key	Page	Part No.	Key	Page	Part No.	Key	Page
0788807	14	825	0911115100	24	97	0976704	60	585
0788808	15	825	0911501120	3	123	0976704	60	589
0788809	16	825	0911501120	3	221	0976802	31	587
0788810	17	825	0911801060	12	135	0976803	42	587
0788811	26	825	0911801060	1	141	0976804	47	587
0788813	35	825	0911801060	3	163	0976805	58	587
0788814	36	825	0911801060	12	233	0976807	62	587
0788815	39	825	0911801060	1	237	0976901	5	589
0788816	40	825	0911801060	3	257	0977003	48	591
0788817	41	825	0911801080	26	107	0977004	61	591
0788818	42	825	0911801080	8	107	0977201	21	587
0788905	3	801	0911801080	6	113	0977202	45	591
0788905	3	803	0911801080	20	143	0977203	46	591
0788909	26A	803	0911801080	7	147	0977204	76	591
0788911	6	801	0911801080	11	183	0977206	84	591
0788911	6	803	0911801080	26	205	0981201	58A	573
0788912	7	801	0911801080	8	205	0981201	39A	575
0788912	7	803	0911801080	6	211	0981201	3	743
0789003	26A	801	0911801080	20	239	0997703	6	805
0789105	3	805	0911801080	7	243	0997704	7	805
0789107	11	805	0911801080	11	85	0998702	28	825
0789109	17	805	0911801100	6	137	0998901	1	803
0789205	3	807	0911801100	10	149	0998902H	2	801
0789209	40	807	0911801100	6	235	0998902H	2	803
0789210	28	807	0911801100	10	245	0998903	15	801
0789214	6	807	0911801120	3	123	0998903	15	803
0789214	7	807	0911801120	3	221	0998904	18	801
0791601	9	585	0911802080	15	187	0998904	18	803
0791601	9	589	0911802080	15	89	0998905	27A	803
0791601	9	591	0911802100	17	261	0998905H	27A	803
0791602	23	591	0911802120	7	137	0999101	1	801
0791603	37	587	0911802120	3	151	0999101	1	803
0791603	37	591	0911802120	7	235	0999101H	1	801
0791604	38	587	0911802120	7	247	0999101H	1	803
0791604	38	589	0911802140	13	133	0999102H	27A	801
0791604	38	591	0911802140	8	137	1025093	6B	595
0791605	39	591	0911802140	13	231	1025787	20	63
0791606	43	587	0911802140	8	235	1025875	12	63
0791606	43	591	0915105140	7	151	1026777	11	47
0791607	44	587	0915105140	18	247	1026777	11	49
0791607	44	591	0915108080	9	193	1027222	0	677
0791619	49	587	0915108080	9	95	1031045	6	577
0791619	49	591	0916105140	6	151	1031123	2	65
0791620	50	587	0916105140	17	247	1031817	23	827
0791620	50	591	0916107120	4	123	1031849	11	827
0791622	79	587	0916107120	4	221	1032319	0	571
0791622	79	591	0916146080	4	165	1032503	0	47
0791702	32	587	0916146080	7	259	1032503	0	49
0791801	3	587	0916147100	2	161	1032503R	0	47
0791801	3	591	0916147100	5	165	1032503R	0	49
0791803	19	587	0916147100	2	255	1032517	41	571
0791803	19	591	0916147100	8	259	1032548	20	827
0791804	24	589	0920024120	7	105	1033090	4	63
0791805	25	589	0920024120	7	203	1033091	5	63
0791807	35	591	0920024160	15	105	1033182	1	573
0791808	58C	585	0920024160	15	203	1033219	21	659
0791808	58C	589	0934502	45	825	1033219	18	661
0791809	58D	585	0952348950	1	155	1033219	19	663
0791809	58D	589	0952348950	10B	249	1033298	5	649
0791816	29	587	0952355360	3	153	1033299	0	649
0791816	29	591	0952355360	1	155	1033370	6	827
0791818	58	585	0952355360	10G	249	1033793	48	317
0791818	58	589	0952358560	1	155	1035919	0	417
0791902	18	587	0952358560	10H	249	1036508	4	427
0791914	29	585	0952358960	1	153	1036511	5	427
0792001	10	585	0952358960	1	155	1036883	1	575
0792002	12	585	0952358960	10C	249	1036984	1	569
0792002	12	589	0956901110	12	133	1037164	20	63
0792003	16	585	0956901110	12	231	1090001331	5	151
0792003	16	589	0957002	27A	801	1090001331	16	247
0792005	20	585	0957203	40	801	1090091141	6	123
0792006	36	589	0957203	40	803	1090091141	6	221
0792007	85	583	0957204G	32A	803	1090440721	2	103
0794204	9	699	0957204H	32A	801	1090440721	8	183
0811240300	3	145	0962104	18	805	1090440721	2	201
0811240300	3	241	0962106	32	805	1090440721	8	85
0911105080	6	165	0962110	40	805	1090440730	12	143
0911105080	5	167	0976504	6	699	1090440730	12	239
0911105080	11	193	0976601	11	583	1093021070	13	149
0911105080	11	95	0976602	13	583	1093021070	13	245
0911105100	5	109	0976602	16	585	1093021590	13	149
0911105100	5	207	0976602	16	589	1093021590	13	245
0911115100	24	195	0976702	4	585	1093050050	3	191

Numerical Index - Continued

Part No.	Key	Page	Part No.	Key	Page	Part No.	Key	Page
1093050050	3	93	1100502H	2	805	2038764	9	397
1095560150	3	109	1100503	13	805	2042432	23	63
1095560150	3	207	1100504	14	805	2044332	8A	653
1095870811	22	101	1100505	15	805	2048256	8	667
1095870811	22	199	1100506	22	805	2048374	13	667
1096000102	5	191	1100507	29	805	2049166	7	65
1096000102	5	93	1102301	1	807	2050209	2	577
1096000160	10	187	1102301H	1	807	2050565	18	65
1096000160	4	189	1102302	2	807	2050647	13	51
1096000160	9	189	1102303	13	807	2050647	13	53
1096000160	10	89	1102304	16	807	2050647R	13	51
1096000160	4	91	1102305	25	807	2050647R	13	53
1096000160	9	91	1102305	27	807	2050691	32	63
1096050250	26	143	1102306	50	807	2050692	39	63
1096050250	26	239	1113691570	4	129	2050981	1A	41
1096050500	27	143	1113691570	4	227	2051413	0A	45
1096050500	27	239	1117401810	1	111	2051451	21	65
1096050502	27	143	1117401810	1	209	2052067	28	571
1096050502	27	239	1117401811	1	111	2052073	27	571
1096233000	19	133	1117401811	1	209	2052080	5	571
1096233000	13	137	1117770840	2	185	2052673	1	721
1096233000	19	231	1117770840	2	87	2052912	4	651
1096233000	13	235	1117770870	12	185	2052956	25	571
1096233550	22	187	1117770870	12	87	2053199	1	827
1096233550	13	193	1117771231	12	185	2053329	77	317
1096233550	22	89	1117771231	12	87	2053330	51	317
1096233550	13	95	1120801	34	591	2053495	13	51
1096234230	22	197	1122350350	21	101	2053495	13	53
1096234230	22	99	1122350350	21	199	2053495R	13	51
1096234620	14	127	1125280280	19	197	2053495R	13	53
1096234620	14	225	1125280280	19	99	2053496	13	51
1096234690	6	193	1130903	40	801	2053496	13	53
1096234690	6	95	1130903	40	803	2053496R	13	51
1096235650	2	111	1131003132	1	145	2053496R	13	53
1096235650	2	209	1131003132	1	241	2054392	2	571
1096235700	11	105	1131003133	1	145	2058236	2	423
1096235700	11	203	1131003133	1	241	2058730	0	429
1096236850	7	145	1131200901	6	145	2058731	7	429
1096236850	7	241	1131200901	6	241	2058732	3	429
1096300590	3	193	1131200902	6	145	2058733	4	429
1096300590	3	95	1131200902	6	241	2058735	10A	429
1096300830	10	191	1131600350	28	143	2058736	15	429
1096300830	10	93	1131600350	28	239	2058745	0	431
1096300860	2	139	1131610120	13	189	2058746	1	431
1096300860	33	311	1131610120	13	91	2058747	2	431
1096300900	3	193	1132402322	1	143	2058766	0	425
1096300900	3	95	1132402322	1	239	2058767	1	425
1096301410	16	143	1132402322	11	315	2058768	2	425
1096301410	16	239	1136741600	2	123	2058769	7	425
1096390340	26	187	1136741600	2	221	2058770	8	425
1096390340	26	89	1156195070	14	133	2058771	9	425
1096605041	8	115	1156195070	26	133	2058772	10	425
1096605041	8	213	1156195070	27	133	2058774	18	425
1096750371	11	133	1156195070	10	137	2058775	15	425
1096750371	11	231	1156195070	14	231	2058776	16	425
1096750951	6	139	1156195070	26	231	2058776	9	461
1096750951	31	311	1156195070	27	231	2058776	1	559
1097006071	2	155	1156195070	10	235	2058778	1	473
1097006071	10A	249	1197110290	9	151	2058779	2	473
1097007041	3	111	1197110290	23	247	2058780	6	645
1097007041	3	209	1215594510	21	161	2058908	2	571
1097007661	2	155	1215594510	21	255	2060151	26	717
1097007661	10J	249	1474766580	7	153	2060151	8	853
1097009660	2	155	1474766580	42B	249	280508200	37	293
1097009910	4	155	1474781130	16	107	3046945	2	43
1097009911	4	155	1474781130	8	153	3047030	1B	43
1097009911	10D	249	1474781130	16	205	3055594	6	569
1097012360	4	153	1474781130	42C	249	3063826	17	671
1097012360	2	155	1812297230	3	159	3063826	12	673
1097012360	10I	249	1812297230	3	253	3063826	12	831
1097012610	5	153	1812297601	5	159	3063840	5	569
1097012610	2	155	1812297601	5	253	3068914	34	317
1097012610	10K	249	1826992390	6	153	3069541	42	571
1097071320	4	119	1826992390	42A	249	3070162	1	47
1097071320	4	217	1878142051	2	189	3070162	1	49
1097071330	4	119	1878142051	2	91	3070162R	1	47
1097071330	4	217	1878142061	2	189	3070162R	1	49
1097071500	5	111	1878142061	2	91	3070250	6	817
1097071500	9	111	1878315460	55	263	3070527	35	317
1097071500	5	209	1878315461	55	263	3070581	57	571
1097071500	9	209	2034607	9	817	3072015	21	533
1097071500	18	305	2034833	41	63	3072015	8	533
1100501H	1	805	2036934	3	43	3072291	12	723

Numerical Index - Continued

Part No.	Key	Page	Part No.	Key	Page	Part No.	Key	Page
3075802	7	317	3103096R	3B	49	4055311	17	279
3076197	5	317	3103148	8	45	4055311	29	321
3076246	40	317	3103149	4	45	4055311	28	323
3077560	30	319	3103149R	4	45	4055311	10	331
3079728	8	759	3103150	7	45	4055311	13	335
3079728	9	761	3103150R	7	45	4055311	13	337
3079728	10	763	3103151	0B	45	4055311	12	339
3079728	6	765	3103187	14	755	4055311	12	341
3080209	2	533	3103187	14	757	4055311	11	343
3081570	16	65	3103979	3	35	4055311	8	345
3081592	23	65	3103979	3	37	4055311	21	351
3081593	22	65	3104058	31	571	4055311	22	353
3081594	29	65	3104320	11	525	4055311	21	359
3081595	25	65	3104320	27	525	4055311	51	435
3082149	30	63	3104882	29	799	4055311	11	457
3082155	25	63	3104884	28	799	4055311	2	463
3082156	18	63	3104885	33	799	4055311	11	465
3083742	2	827	3105989	2	503	4055311	2	557
3084056	31	827	3106481	39	65	4055311	9	601
3084173	26	671	3106815	35	783	4055311	5	607
3084173H	26	671	3106817	34	799	4055311	4	645
3084173H	1	675	3106855	26	659	4055311	15	655
3084173H	2	829	3106855	21	661	4055311	14	701
3084353	13	63	3106855	22	663	4055311	4	703
3086531	9	63	3107447	8	823	4055311	3	705
3087256	0	77	3107472	0A	389	4055311	0	711
3087987	26B	653	3107707	30	719	4055311	12	717
3087987	27B	653	3109101	23	655	4055311	3	853
3088058	10	317	3109162	1	557	4055312	20	303
3088573	23	383	3109199	9	701	4055312	2	329
3088573	24	385	3109199	8	703	4055312	22	359
3088574	8	669	3109906	2	541	4055312	12	361
3088574	11	833	3110014	23	685	4055312	5	363
3088575	9	669	3110326	0	461	4055312	6	367
3088575	2	671	3110326	0	475	4055312	3	369
3088575	4	673	3115657	3B	41	4055312	5	455
3088575	4	831	3115658	3C	41	4055312	12	461
3088575	12	833	3116726	2	535	4055312	12	475
3088577	6	671	3116728	3	535	4055312	4	503
3088577	8	673	3116729	4	535	4055312	6	559
3088577	8	831	3116730	5	535	4067720	5	669
3088578	3	671	3117185	6	535	4067720	13	833
3088578	5	673	3117588	28	359	4067901	0G	669
3088578	5	831	3118298	11	429	4067901	2	669
3088579	5	671	3118328	6	431	4067901	0G	671
3088579	7	673	3118329	3A	431	4067901	32	671
3088579	7	831	3118337	5	429	4067901	0D	673
3088580	7	671	3118337	3	473	4067901	3	673
3088580	9	673	3118592	3	45	4067901	25	801
3088580	9	831	3118701	34	575	4067901	25	803
3088581	4	671	3118721	5	351	4067901	0D	831
3088581	6	673	3118721	6	353	4067901	3	831
3088581	6	831	3118978	7	535	4067901	10	833
3089138	25	317	3120378	19	479	4067901	4	833
3089362	33	827	3120708	1	419	4067902	30	671
3090079	1	557	3121182	17	425	4067902	1	673
3092334	1	541	3121182	10	461	4067902	3	677
3092349	72	317	3121182	2	559	4067902	23	801
3092351	39	319	3121279	4	539	4067902	23	803
3092352	33	319	3122103	15	525	4067902	27	805
3095375	6A	667	400613	28	577	4067902	23	807
3095748	6	577	4018545	2	75	4067902	1	831
3097272	3	577	4022697	17	403	4068898	16	573
3097791	16	685	4022697	15	441	4068898	15	575
3098245	21	653	4022697	16	533	408410	8	687
3099628	6A	653	4022697	5	533	4084578	31	671
3099795	18	827	4022697	20	561	4084578	2	673
3099815	14	827	4022697	4	561	4084578	21	807
3099830	8	827	4022697	18	709	4084578	2	831
3100544	34	63	4027427	28	653	4085560	1	723
3100949	5	321	4027427	17	827	4085607	8	573
3100949	5	323	4027959	11	69	4085607	8	575
3100993	89	571	4027959	24	825	4089028	1	609
3100994	90	571	4033725	4	69	4089028	28	671
3101035	1B	41	4034733	27	717	4089028	16	831
3101093	3B	41	4034733	5	853	4092534	87	569
3101117	7	41	4040365	13	709	4099290	34	569
3102045	26	827	4050968	25	67	4099290	5	569
3102993	3	45	4051262	26C	653	4099290	58	571
3102993R	3	45	4051262	27C	653	4101345	33C	569
3103096	3B	47	4051262	29	827	4105067	58J	585
3103096	3B	49	4051267	15	709	4105067	58J	589
3103096R	3B	47	4053698	13	729	4113154	43	653

Numerical Index - Continued

Part No.	Key	Page	Part No.	Key	Page	Part No.	Key	Page
4114402	23	569	4179156	3	575	4190263	6	361
4114406	2	55	4179161	12	573	4190263	7	487
4116290	13	571	4179161	11	575	4190263	38	785
4116309	17	63	4179171	20	573	4190263	40	799
4121497	8	309	4179171	22	575	4190264	34	303
4121859	2	273	4179176	34	571	4190264	37	311
4121859	14	339	4179177	33	571	4190264	34	351
4121859	14	341	4179179	29	571	4190264	35	353
4121859	31	359	4179181	23	571	4190264	5	359
4121859	0	361	4180349	54	571	4190264	7	361
4121859	3	373	4180349	9	573	4190264	31	741
4121859	52	435	4180349	36	575	4190264	25	755
4121859	13	461	4183168	33E	569	4190264	25	757
4121859	4	559	4185600	24	653	4190264	49	783
4121859	7	565	4185600	11	685	4190264	48	785
4121859	13	707	4185600	26	685	4190265	38	311
4121859	20	71	4185600	9	687	4190265	33	351
4121859	34	717	4185600	21D	719	4190265	34	353
4121859	20	73	4185600	3D	719	4190265	8	499
4121859	28	755	4187308	25	671	4190265	9	703
4121859	28	757	4187308	19	673	4190265	7	705
4121859	20	759	4187308	4	71	4190265	9	707
4121859	16	761	4187308	8	721	4190272	40	303
4121859	12	763	4187308	4	725	4190272	12	607
4121859	8	765	4187308	4	727	4190273	39	311
4121859	4	835	4187308	4	73	4190273	12	351
4121859	5	837	4187308	8	733	4190273	13	353
4121859	17	847	4187308	6	735	4190273	16	717
4126209	5	47	4187308	6	745	4190273	39	799
4126209	5	49	4187308	5	781	4190274	36	303
4126209R	5	47	4187308	19	831	4190274	14	321
4126209R	5	49	4187328	6	781	4190274	14	323
4128863	3	811	4187328	5	783	4190274	13	351
4137684	5	43	4187328	5	785	4190274	14	353
4140436	58H	585	4187328	4	787	4190274	39	741
4140436	18A	697	4187328	4	789	4190275	14	351
4140436	20A	697	4187328	11	791	4190275	15	353
4144044	27	589	4187328	8	793	4190275	18	359
4144044	58B	589	4187328	7	795	4190275	1	373
4146370	35	571	4187329	6	783	4190275	4	497
4150302	7	573	4187329	6	785	4190275	1	597
4150302	50B	575	4187329	8	787	4190275	1	601
4150302	7	575	4187329	8	789	4190275	34	783
4153087	50C	575	4187329	7	793	4190275	33	785
4153095	52A	573	4187590	12	827	4190275	22	855
4153095	55A	575	4188013	0A	629	4190277	21	485
4153488	1	733	4189535	23	787	4190277	22	487
4153488	14	781	4189535	23	789	4190277	12	845
4153488	11	795	4189537	23	787	4190282	40	311
4153488	31	795	4189537	23	789	4190282	8	665
4153534	50A	575	4189539	11	725	4190282	22	717
4153731	6	47	4189539	11	727	4190282	42	741
4153731	6	49	4189539	4	745	4190282	10	747
4154651	7	779	4189859	13	781	4190282	26	755
4154670	25	741	4190126	12	781	4190282	26	757
4154670	5	747	4190126	28	795	4190291	14	299
4154670	18	755	4190127	16	783	4190291	28	303
4154670	18	757	4190127	16	785	4190291	41	311
4154670	33	783	4190127	12	787	4190291	15	351
4154670	32	785	4190127	12	789	4190291	16	353
4154670	6	799	4190127	10	791	4190291	17	717
4156540	11	57	4190127	12	795	4190291	40	741
4159073	8	277	4190127	25	795	4191977	18	383
4161735	8	383	4190244	1	763	4191977	19	385
4161735	9	385	4190253	9	281	4191978	15	383
4163873	24	685	4190253	36	351	4191978	16	385
4163873	9	685	4190253	37	353	4192020	29	63
4163873	7	687	4190253	21	487	4192034	42	311
4163873	21B	719	4190253	8	495	4192034	7	315
4163873	3B	719	4190253	41	741	4192034	4	499
4165068	2	565	4190261	10	351	4192035	16	281
4170585	27	647	4190261	11	353	4192035	16	351
4172172	4	551	4190261	18	359	4192035	17	353
4172349	3C	41	4190261	1	373	4192035	1	359
4173093	38	63	4190261	1	597	4192035	24	447
4174541	57	575	4190261	10	779	4192666	9	51
4174541	16	595	4190261	39	783	4192666	9	53
4174541	2	743	4190261	14	847	4192910	36	63
4174859P	4	387	4190261	6	851	4192982	27	63
4178173	9	571	4190261	21	855	4193816	22	303
4179155	2	573	4190263	36	311	4193816	38	311
4179155	2	575	4190263	11	351	4193816	25	751
4179156	3	573	4190263	12	353	4193816	26	753

Numerical Index - Continued

Part No.	Key	Page	Part No.	Key	Page	Part No.	Key	Page
4193848	14	299	4224631	3	345	4263446	27	799
4193848	28	303	4224631	25	669	4265964	29	573
4193848	34	303	4224631	19	833	4265964	30	575
4193848	37	311	4225466	6D	595	4267667	8	73
4193848	41	311	4225472	6E	595	4267743	6	51
4193848	15	351	4226446	17	585	4267743	6	53
4193848	17	351	4226446	7	587	4269607	4	309
4193848	34	351	4226446	17	589	4269615	6C	667
4193848	16	353	4226446	17	591	4272256	13	331
4193848	18	353	4229631	5	67	4272297	4	811
4193848	35	353	4229857-S	19	753	4274478	0	325
4193848	5	359	4231543	4	817	4274478	0	327
4193848	17	717	4233165	15	571	4274478	48	561
4193848	31	741	4234782	86	569	4274552	79	571
4193848	40	741	4239611	11B	817	4275675	14	783
4193848	25	755	4239712	47	783	4275675	14	785
4193848	25	757	4239712	46	785	4276003	15	799
4193848	48	783	4239976	21	783	4276584	11	729
4193848	49	783	4241780	5	817	4279604	13	659
4193848	47	785	4245797	44	63	4279604	12	661
4193848	48	785	4246793	3	63	4279604	13	663
4197033	0B	635	4248106	10	45	4280359	14	479
4198956	22	571	4248279	13	279	4282483	3	291
4200227	36	571	4249324	2	39	4283535	5	721
4201787	22	317	4249348	11	741	4284521	15	63
4201986	19	383	4249348	9	755	4285646	0A	325
4201986	20	385	4249348	9	757	4285646	0A	327
4201993	19	647	4250261	13	595	4285647	0B	325
4201993	6C	653	4252877	9	779	4285647	0B	327
4202103	17	71	4252880	4	55	4285648	0C	325
4202103	17	73	4252898	3	293	4285648	0C	327
4202422	6	751	4252898	3	295	4285648	5C	331
4202422	7	753	4254600	18	351	4285722	16	781
4203411	2	653	4254600	19	353	4285724	18	781
4203411	2	667	4254600	4	359	4285724	32	795
4203485	7	749	4254600	19	361	4285725	31	795
4204136	19	701	4254600	5	475	4286128	3	283
4204136	12	707	4254600	9	499	4286130	2	283
4204136	27	755	4254600	4	563	4286465R	1	371
4204136	27	757	4254604	6	331	4287795	14	659
4204558	6	407	4255055	11	45	4287795	13	661
4204579	16	407	4255055R	11	45	4287795	14	663
4204580	0L	443	4255304	30	741	4287903	25	397
4204661	4	745	4255304	22	755	4288342	0D	325
4204882	5	735	4255304	22	757	4288342	0D	327
4205196	15	783	4255304	4	775	4288445	4	415
4205196	15	785	4255304	22	799	4288445	8	471
4205196	7	787	4255305	3	775	4288445	13	479
4205196	7	789	4255530	17	383	4293211	50	741
4205196	9	793	4255530	18	385	4293950	30	569
4205317	26E	653	4255567	17	383	4293950	21	741
4205317	27E	653	4255567	18	385	4293950	8	749
4205318	26D	653	4255638	12	51	4293950	24	799
4205318	27D	653	4255638	12	53	4294508	12	533
4205358	27	299	4255762	67A	175	4294508	28	533
4205614	27	729	4255762	67A	271	4295573	13	399
4208279	20	383	4255762	7	321	4297188	1	365
4208279	21	385	4255762	7	323	4297257	16	67
4208913	7	751	4255799	7	383	4297380	0	479
4208913	8	753	4255799	8	385	4297380	61	481
4208913	18	783	4257159	27	321	4297380	1A	495
4208913	18	785	4257159	27	323	4297380	87A	569
4208977	40	653	4257159	7	325	4297380	80A	571
4208977	15	667	4257159	7	327	4297380	9	573
4209157	3	733	4257159	5	335	4297380	9	575
4209728	11	667	4257159	5	337	4297380	12	591
4210853	37	63	4257159	6	351	4297380	3	759
4211059	8	523	4257159	17	359	4297380	4	759
4211059	24	525	4257159	36	783	4297380	1	763
4211059	43	527	4257159	35	785	4297380	2	763
4211059	43	529	4258061	1	75	4297380	0	767
4213401	8	755	4259220	6	325	4297380	1	767
4213401	8	757	4259220	6	327	4297380	3	775
4213419	29	653	4259220	14	335	4299059	1	317
4217048	18	855	4259220	9	337	4299864	12	563
4217651	42	653	4259220	11	339	4300351	4	565
4218657	13	563	4259220	11	341	4300351	5	645
4219363	10	755	4259220	35	351	4300351	14	655
4219363	10	757	4259220	36	353	4300351	29	717
4223254	31	319	4259220	3	437	4300351	7	853
4224238	7	283	4259220	9	839	4301675	52A	573
4224631	2	331	4260602	76	317	4301675	55A	575
4224631	3	343	4262927	8	71	4304469	5	741

Numerical Index - Continued

Part No.	Key	Page	Part No.	Key	Page	Part No.	Key	Page
4306888	6C	667	4338907	10	571	4362700	8	397
4307026	5E	331	4338974	0C	433	4364784	23	799
4307027	5F	331	4339171	14	571	4364970	4	653
4308148	8	783	4341413	13	399	4365595	4	741
4308148	8	785	4341415	22	399	4365826	65A	571
4309832	1	715	4341450	10	401	4366055	22	561
4309836	50	741	4341803	14	729	4366055	6	561
4309837	50	741	4341808	15	729	4366517	32	825
4309838	50	741	4341877	11	707	4366544	9	825
4310055	43	569	4341877	38	757	4367481	14	397
4313240	12	741	4341877	10	759	4367664	3	817
4313250	8	741	4342227	36	319	4368619	10	573
4313341	4	741	4342692	5	763	4368619	12	575
4313426	2	755	4342692	14	765	4368629	3	653
4313426	2	757	4342840	59	571	4368630	5	653
4313586	23	351	4342841	15	573	4369472	0A	433
4313586	6	531	4342841	14	575	4369619	15	403
4314671	3	51	4342843	14	573	4369653	1D	393
4314671	3	53	4342843	13	575	4369817	52	359
4315607	8	41	4342846	41	573	4370247	4	489
4315607	7	43	4343074	73	571	4370251	4	489
4315607	7	47	4343365	6	823	4370555	1	779
4315607	7	49	4343991	5	423	4371049	5	495
4315838	16	63	4343991	14	431	4371318	12	151
4317584	4	41	4344050	21	799	4371318	89	247
4317586	4	43	4344125	1	331	4371371	3	317
4317640	6	659	4345297	3	779	4371706	4	655
4317640	7	663	4345302	7	51	4371798	8	317
4319299	1	653	4345302	7	53	4371799	29	319
4319299	1	667	4346521	28	573	4371825	10D	595
4323613	17	759	4346521	19	575	4372091	12	393
4326095	0B	433	4346522	27	573	4372200	4	449
4326800	5	331	4346522	18	575	4372200	3	451
4326801	5A	331	4346714	26	529	4372200	3	455
4326802	5B	331	4346770	8	485	4372200	3	457
4326803	5D	331	4346770	8	487	4372200	4	465
4327293	9	741	4347107	24	573	4372608	1	397
4327293	13	799	4347107	24	575	4372956	12	755
4327294	12	737	4348505	11	765	4372956	12	757
4327294	13	737	4348589	1	811	4375306	5	773
4327294	16	737	4348665	74	571	4375722	5	573
4327294	7	737	4350187	7B	495	4375722	5	575
4327294	10	745	4350206	61	481	4377820	37	407
4327294	7	745	4350206	1A	495	4379310	8	51
4327294	8	745	4350207	62	481	4379310	8	53
4327294	9	745	4350623	6C	595	4380534	12	451
4327294	13	783	4350928	49	573	4380534	8	457
4327294	14	783	4350928	28	575	4380534	8	465
4327294	13	785	4351281	22	741	4380816	11	317
4327294	14	785	4351774	9	759	4380817	11	317
4327315	9	741	4351774	10	761	4382554	5	451
4330054	10	571	4351774	11	763	4382554	5	457
4331851	11	43	4351774	7	765	4382554	5	465
4332658	5	823	4352398	1	677	4382883	26	481
4332697	13	311	4352398	1B	801	4386609	4	51
4332697	14	311	4352398	1B	803	4386609	4	53
4332697	7	311	4352398	2B	807	4386663	8	741
4333170	12	571	4352399	1B	805	4387624	12	741
4333185	0	433	4352400	1B	807	4390776	2	817
4333200	3	717	4353560	6	309	4392798	6	453
4333461	1	493	4353970	11	281	4392798	6	459
4333835	11	451	4355083	50	571	4392798R	6	453
4333835	7	457	4355085	46	571	4392798R	6	459
4333835	7	465	4355875	2B	801	4392801	13	453
4334456	1	725	4355875	2B	803	4392801	15	459
4334456	1	727	4355875	2B	805	4392801R	13	453
4334899	33B	569	4355884	37	351	4392801R	15	459
4335060	22	647	4355884	38	353	4392804	17	453
4336570	5	331	4357297	5	277	4392804R	17	453
4336875	27	321	4358914	78	585	4392805	18	453
4336875	27	323	4358914	78	587	4392805	19	459
4336875	6	351	4358914	78	589	4392805R	19	459
4336875	7	353	4358914	78	591	4392812	16	453
4336923	25	827	4359076	2	317	4392812	18	459
4336929	16	827	4360590	6	573	4392812R	18	459
4336945	27	827	4360590	6	575	4392813	15	453
4337035	21	571	4360981	2	779	4392813R	15	453
4337812	44	571	4361000	0	779	4396747	19	65
4338053	43	571	4361293	11	671	4396771	10	67
4338060	47	571	4361294	12	671	4396774	28	65
4338061	51	571	4361302	5	397	4396775	26	65
4338858	16	383	4361601	6	445	4397022	8	67
4338858	17	385	4361601	23	447	4397029	14	69

Numerical Index - Continued

Part No.	Key	Page	Part No.	Key	Page	Part No.	Key	Page
4397092	3	519	4429120	6	647	4443882	5	677
4397757	17	65	4429829	1	679	4444284	30	669
4398281	13	67	4429829	92	787	4444285	36	669
4398906	11	741	4429829	92	789	4444286	31	669
4398906	9	755	4430289	15	321	4444286	9	671
4398906	9	757	4430912	4	315	4444287	32	669
4401293	24	63	4432965	8	431	4444287	10	671
4401293	33	63	4433327	38	573	4444288	11	671
4402086	28	63	4433327	32	575	4444289	12	671
4402460	0E	669	4434017	10	595	4444755	35	669
4402460	5	833	4434246	53	673	4445354	34	827
4402481	4	827	4434246	53	831	4447050	6B	653
4402637	7	827	4434951	0B	629	4447050	6B	667
4403082	28	827	4434953	0H	669	4447067	25	653
4403371	24	827	4434953	0B	671	4447264	39	573
4404506	27	827	4434953	0B	673	4447338	15	187
4405194	1	501	4434953	0B	831	4447338	15	89
4405814	0	501	4434953	7	833	4447430	1	35
4405815	1	489	4435024	6	573	4447430	1	37
4406589	35	63	4435025	5	573	4447490	4	749
4407161	17	311	4435124	18	671	4447541	13	521
4408124	5	51	4435124	13	673	4447566	11	71
4408124	5	53	4435124	13	831	4447675	6	787
4408661	6A	595	4435126	6	669	4447675	6	789
4409122	0E	671	4435126	16	671	4447675	17	791
4409122	0F	673	4435126	11	673	4447675	13	793
4409122	0F	831	4435126	11	831	4447713	4	779
4409178	0F	671	4435126	14	833	4448037	4	837
4409389	3	67	4435129	27	383	4448946	0	727
4410050	11	571	4435129	28	385	4449144	4	823
4410536	1	539	4435239	0C	671	4449250	13	281
4410898	4	647	4435239	0E	673	4449250	19	351
4411001	2	741	4435239	0E	831	4449250	20	353
4411001	2	799	4435240	5	383	4449280	13	799
4411535	5	827	4435240	7	385	4449362	2	309
4411682	1G	393	4436124	6	759	4449362	30	311
4411829	34	393	4436124	7	761	4449378	11	73
4411829	2	405	4436124	5	771	4449478	2	597
4412710	9	45	4436124	2	773	4449509	7	551
4412710R	9	45	4436242	10	63	4449860	8	709
4412826	5	45	4436271	65	571	4449861	9	709
4412826R	5	45	4436534	4	329	4450008	0	503
4412827	6	45	4436534	6	335	4450011	14	671
4412827R	6	45	4436534	6	337	4450012	13	671
4414857	17	393	4436534	7	339	4450013	37	669
4415024	14	425	4436534	7	341	4450249	2	665
4415478	12	761	4436534	6	359	4450494	20	351
4416382	22	783	4436534	4	363	4450494	21	353
4416382	21	785	4436534	6	461	4450669	4	533
4418301	7	351	4436534	6	475	4450862	12	561
4418301	8	353	4436534	35	717	4451036	90	569
4418301	3	557	4436535	4	717	4451039	20	571
4420332	4	317	4436535	6	749	4451498	22	573
4420531	1C	393	4436535	23	751	4451498	21	575
4420958	30	65	4436535	24	753	4451784	24	691
4423699	5	409	4436535	20	783	4451784	24	693
4424185	5	651	4436535	20	785	4451785	25	693
4424425	1	389	4436535	32	799	4451786	26	693
4424425	14	669	4436536	52	573	4451787	37	691
4424425	16	833	4436536	55	575	4451788	37A	691
4425139	12	281	4436736	0D	359	4451789	39	691
4425305	26A	653	4436737	0F	359	4451789	39	693
4425305	27A	653	4437333	11	647	4452035	4	755
4425414	8	647	4437432	14	653	4452162	8	139
4426044	6	277	4437433	8B	653	4452162	26	311
4426117	4	383	4437513	0	333	4452165	34	311
4426117	6	385	4437525	14	71	4452613	27	655
4426117	0B	669	4437525	14	73	4452647	18	697
4426117	8	833	4437833	10A	595	4452648	20	697
4427111	1	749	4437836	10E	595	4452733	4	755
4427351	13	755	4437837	10C	595	4452973	3	517
4427351	13	757	4437838	10B	595	4452973	6	517
4427357	6	755	4438059	61	569	4453023	0	725
4427357	6	757	4438592	26	63	4453063	45	783
4427429	0H	359	4438593	11	63	4453063	44	785
4428007	5	819	4438593	15	827	4453196	19	687
4428098	15	71	4440802	2	595	4453819	11	697
4428098	15	73	4443487	42	527	4453820	12	697
4428902	15	653	4443880	0F	669	4453874	4	451
4428910	0B	359	4443880	6	833	4453874	4	457
4428911	0C	359	4443881	0D	671	4453874	6	465
4429044	30	533	4443881	0C	673	4453909	4	283
4429045	32	533	4443881	0C	831	4453910	5	283

Numerical Index - Continued

Part No.	Key	Page	Part No.	Key	Page	Part No.	Key	Page
4453911	6	283	4484116	9	685	4509180	26A	693
4454269	3	655	4484116	7	687	4509180	39A	693
4455719	50	573	4484116	21B	719	4509180	4	759
4456179	0D	443	4484116	3B	719	4509180	1	763
4456227	18	407	4484118	10	685	4509180	2	763
4456237	31	399	4484118	25	685	4509180	0	767
4456428	19	441	4484118	8	687	4509180	1	767
4456428	0J	443	4484118	21C	719	4509180	3	775
4456735	0A	359	4484118	3C	719	4509493	11	67
4456778	0K	359	4484119	10	577	4510173	6	845
4459282	29	807	4485262	11	315	4510173	7	847
4460037	0A	359	4485892	6	405	4514699	15	293
4460037	51	359	4485892	17	407	4514700	35	311
4460370	29	669	4486055	56	303	4515041	72	571
4460534	13	561	4486055	20	441	4600108	9	65
4463553	15	781	4486055	0M	443	4600133	10	65
4463554	17	781	4486055	1	479	4600164	17	791
4464075	12	359	4486055	6	527	4601120	50	741
4464122	3	597	4486055	23	529	4601724	3	65
4464273	15	399	4486055	4	655	4602024	2	67
4464305	14	399	4486953	31	801	4602154	6D	653
4464309	18	399	4486953	31	803	4602182	9	719
4464394	11	397	4486953	27	807	4602634	7	325
4464401	26	407	4487250	9	577	4602634	7	327
4465377	5	759	4487297	50	741	4602634	5	335
4465377	6	761	4487340	30	577	4602634	5	337
4466815	20	399	4488326	5	367	4602634	6	351
4466815	0E	443	4488720	12	577	4602634	39	353
4466834	0C	443	4488904	13	827	4602634	17	359
4467093	20	317	4489678	13	685	4602634	36	783
4470393	32	783	4489678	5	719	4602634	35	785
4470393	31	785	449558	14	595	4603981	17	403
447068	5	577	4503469	9	279	4603981	15	441
4472347	25	799	4504199	7	279	4603981	5	533
4472673	3	595	4504491	8	279	4603981	20	561
4473871	3	315	4506320	11	717	4603981	4	561
4474036	4	441	4506405	2A	597	4604209	7	383
4474191	9	827	4506406	41	585	4604209	8	385
4474214	3	667	4506406	41	587	4605670	16	577
4474216	7	667	4506406	41	589	4605732	7	577
4474217	10	667	4506406	41	591	4605742	15	577
4474337	8	773	4506408	23A	67	4606473	50	741
4474476	41	403	4506408	11A	719	4606717	0A	629
4474482	43	403	4506408	34	825	4607054	9	401
4475230	10	491	4506415	31	65	4607054	9	441
4475232	7C	495	4506418	57A	575	4607409	1K	395
4475235	1B	495	4506418	13	589	4607546	24	425
4475236	9	491	4506418	13	591	4607646	22	407
4475237	5	491	4506418	72	591	4609016	43	63
4475242	6	491	4506418	20A	67	4609479	28	399
4475243	7	491	4506418	2	69	4609630	0	699
4475244	8	491	4506418	6	73	4609630	2	775
4475245	4	491	4506418	7	73	4609630	2	777
4475346	7A	495	4506418	5	743	4609781	7	667
4475346	2	497	4506420	23	825	4610260	13	741
4475999	14	761	4506424	24	671	4610640	10	453
4476561	9	561	4506424	20	673	4610640	12	459
4476843	0K	443	4506424	3	71	4610641	11	453
4477373	1	371	4506424	7	721	4610641	13	459
4477670	24	763	4506424	3	73	4611012	36	573
4477681	2	35	4506424	5	745	4611012	35	575
4477681	2	37	4506424	20	831	4611526	0J	359
4478168	12	741	4506428	33	825	4612930	1	701
4478298	50	709	4506429	7	67	4612930	1	703
4478346	42	63	4506429	16	69	4612930	20	705
4478378	25	311	4506429	10	787	4612930	0	709
4479766	4	709	4506429	7	787	4613265	17	687
4479767	5	709	4506429	10	789	4613452	0	819
4479768	6	709	4506429	7	789	4613831	1	65
4479774	60	709	4506429	16	795	4613950	0	805
4480261	9	667	4506430	30	801	4614165	16	737
4481334	20	667	4506430	30	803	4614167	13	737
4482233	38	691	4506430	26	807	4614277	5	41
4482606	7	667	4506459	4	735	4614286	26	647
4483563	12	779	4508805	16	729	4614296	21	647
4483676	6	811	4508805	4	731	4614331	28	647
4484114	21	685	4509180	87A	569	4614637	1	815
4484114	5	685	4509180	80A	571	4615610	10	647
4484114	13	687	4509180	52A	573	4616531	47	573
4484114	25	719	4509180	55A	575	4616531	26	575
4484114	7	719	4509180	96	589	4616533	48	573
4484115	20	685	4509180	24A	693	4616533	27	575
4484116	24	685	4509180	25A	693	4618409	0	373

Numerical Index - Continued

Part No.	Key	Page	Part No.	Key	Page	Part No.	Key	Page
4618721	3	489	4630947	11	755	4643447G	4	597
4622346	0	479	4630947	11	757	4643559	3	279
4622346	87A	569	4630949	5	755	4644625	9	721
4622346	80A	571	4630949	5	757	4645278	0	689
4622346	4	759	4630952	10	749	4645278	0	691
4622346	1	763	4631103	2	655	4645278	0	693
4622346	2	763	4631248	24	647	4645278	0	695
4622346	0	767	4631640	11	51	4645278	0	697
4622346	1	767	4631640	11	53	4645330	84	569
4622346	3	775	4631753	9	813	4646064	9	277
4622684	13	779	4631910	33	65	4646320	6	579
4622945	17	571	4631943	27	569	4647653	30	319
4623111	3	821	4632041	3	755	4648204	3	665
4623111	18	823	4632041	3	757	4648205	4	665
4624799	2	833	4632325	2	495	4648461	30	799
4625320	9	749	4632325	3	497	4648651	8B	595
4625323	15	741	4632449	0	73	4648912	3	749
4625482	2	45	4632450	1	73	4648918	9	799
4625482R	2	45	4632493	2	749	4649152	21	383
4626057	9	783	4632689	12	483	4649152	22	385
4626057	9	785	4633367	2	51	4649213	0	795
4626738	12	737	4633367	2	53	4649305	19	305
4626739	4	739	4633367R	2	51	4649377	5	421
4626740	7	745	4633367R	2	53	4649377	3	503
4626741	8	745	4634010	9	813	4649405	18	751
4626742	9	745	4634693	2	63	4649405	19	753
4626743	10	745	4634716	6	139	4650142	6	317
4626878	8	595	4634716	31	311	4650338	27	293
4627419	12	321	4634911	9	139	4650338	25	295
4627419	12	323	4634911	29	311	4650338	7	579
4628043	23	671	4634979	2	139	4650515	1	747
4628043	18	673	4634979	33	311	4650571	23	407
4628043	18	831	4635248	8	755	4650572	24	407
4628505	6	383	4635248	8	757	4650573	28	407
4628505	1	385	4635378	8	799	4651278	1	363
4628902	3	787	4636765	7	655	4651278	4	657
4628902	3	789	4637175	1	655	4651292	8	461
4628902	2	791	4637225	20	359	4651292	8	463
4629154	0	807	4637641	4	557	4651295	0	363
4629372	91	569	4638014	13	783	4651295	19	657
4629513	10	521	4638014	13	785	4651295	36	717
4629513	12	521	4638905	5	527	4651296	0	559
4629655	0	71	4638905	57	529	4651486	17	521
4629656	1	71	4639112	13	505	4651537	12	425
4629707	13	759	4639112	13	507	4651556	7	647
4629717	1	741	4639112	6	523	4651557	9	647
4629717	0	743	4639112	22	525	4651654	7	405
4629782	11	759	4639112	44	529	4651869	3	559
4629782	11	761	4639136	0E	359	4651877	1	461
4629782	9	763	4639235	2	595	4651877	1	463
4629782	9	765	4639513	7	277	4651896	1	289
4630119	0	811	4639528	7	737	4652003	5	339
4630503	74	317	4639629	8	771	4652003	5	341
4630525	1	743	4639989	15	755	4652417	16	485
4630531	3	411	4639989	15	757	4652417	16	487
4630532	4	411	4639992	16	741	4652483	1	665
4630572	15	359	4639993	17	741	4652573	9	527
4630660	0	409	4640418	10	813	4652573	25	529
4630921	37	65	4640421	2	813	4652733	8A	595
4630932	13	751	4640621	2	389	4652779	2	387
4630932	14	753	4640621	18	669	4652915	4	325
4630933	11	751	4640621	29	833	4652915	4	327
4630933	12	753	4641564	2	499	4652981	18	311
4630934	9	751	4641569	5	505	4653156	21	425
4630934	10	753	4641569	5	507	4653190	3B	311
4630935	16	751	4641569	11	523	4653191	3C	311
4630935	17	753	4641569	6	525	4653192	3D	311
4630936	17	751	4642023	3	551	4653195	3J	311
4630936	18	753	4642167	7	523	4653906	7	431
4630937	19	751	4642167	23	525	4654039	8	321
4630937	20	753	4642167	41	529	4654039	8	323
4630938	10	751	4642361	12	827	4654108	6	505
4630938	11	753	4642570	12	311	4654108	6	507
4630939	6	741	4642575	11	527	4654108	10	523
4630939	15	751	4642575	27	529	4654108	13	525
4630940	14	751	4642575	24	561	4654108	2	525
4630940	15	753	4642575	16	655	4654108	36	529
4630941	12	751	4642725	10	311	4654403	17	719
4630941	13	753	4643180	13	759	4654404	18	719
4630943	20	751	4643387	4	285	4654406	23	783
4630943	21	753	4643388	5	285	4654406	22	785
4630946	7	755	4643388	3	287	4654421	50	803
4630946	7	757	4643447	4	597	4654422	50	805

Numerical Index - Continued

Part No.	Key	Page	Part No.	Key	Page	Part No.	Key	Page
4654655	40	691	4662230	6	399	4664931	8	295
4654845	8	825	4662231	7	399	4665191	4	701
4655171	7	771	4662232	8	399	4665191	3	703
4655266	22	825	4662233	9	399	4665191	2	705
4655548	3	443	4662242	2	399	4665490	25	393
4655612	8	275	4662243	20	407	4665500	5	393
4655622	6	275	4662245	10	399	4665501	6	393
4655623	1	275	4662250	10	407	4665503	20	393
4655624	2	275	4662251	19	407	4665689	16	401
4655625	3	275	4662252	24	393	4666052	17	459
4655627	4	275	4662252	13	403	4666054	25	459
4655739	38	799	4662356	39	403	4666056	9	459
4655740	37	799	4662357	40	403	4666057	0N	443
4655783	36	799	4662358	35	403	4666059	24	459
4656030	25	763	4662359	31	403	4666063	0F	443
4656158	27	407	4662360	32	403	4666087	8	459
4656227	5	381	4662361	37	403	4666096	16	719
4656242	30	825	4662362	36	403	4666221	2	439
4656300	5	431	4662364	48	403	4666222	3	439
4656363	2	665	4662366	38	403	4666223	4	439
4656521	20	529	4662368	21	397	4666224	5	439
4656535	4	769	4662368	46	403	4666225	6	439
4656682	10	725	4662370	0H	443	4666226	7	439
4656682	10	727	4662378	20	397	4666312	75	317
4656809	4	757	4662448	8	351	4666369	13	397
4656988	10	729	4662448	9	353	4666380	6	441
4657328	2	499	4662448	3	355	4666744	26	485
4657778	24	319	4662477	6	701	4666801	15	761
4658090	36	407	4662477	21	703	4666803	6	773
4658091	30	407	4662477	8	705	4667150	7	827
4658094	34	407	4662477	2	707	4667336	25	485
4658095	15	397	4662479	8	701	4667810	22	533
4658095	31	407	4662479	19	703	4667833	26	533
4658109	29	407	4662479	9	705	4668866	43	783
4658110	1D	395	4662479	3	707	4668866	42	785
4658110	7	401	4662718	2	403	4669080	29	719
4658110	14	403	4662721	1J	395	4669120	27B	801
4658110	3	405	4662722	1G	395	4669120H	27B	801
4658110	13	407	4662724	1B	395	4669127	26B	801
4658110	1F	407	4662725	1H	395	4669127H	26B	801
4658927	21	319	4662726	4	395	4669339	29	561
4659092	5	339	4662727	1F	395	4670670	5	841
4659092	5	341	4662728	1E	395	4671802	11	421
4659287	11	51	4662729	5	395	4672433	4	773
4659287	11	53	4662729	10	397	4672520	43	319
4659592	11	405	4662730	1C	395	4672521	44	319
4659592	1D	405	4662735	15	405	4673615	32B	801
4659593	12	405	4662741	17	399	4673615	32B	803
4659594	13	405	4662744	31	397	4673616	37B	801
4659595	14	405	4662747	18	405	4673616	37B	803
4659595	1C	405	4662751	13	401	4673709	42	561
4659659	35	407	4662755	1	399	4674883	4	759
4659951	14	741	4662755	2	401	4674883	0	767
4660025	27	407	4662755	0E	439	4674883	1	767
4660220	5	739	4662755	21	441	4674883	3	775
4660475	4	339	4662758	16	397	4675257	1	551
4660475	4	341	4662758	53	435	4675257	0	553
4660551	23	763	4662759	12	397	4675257	55	561
4660717	4	453	4662763	14	401	4676586	8	781
4660717	4	459	4662770	15	401	4676587	7	781
4660717R	4	453	4663083	7	701	4679686	32B	801
4660717R	4	459	4663083	22	703	4679686	32B	803
4660720	7	453	4663083	10	705	4680516	1	329
4660720	7	459	4663083	4	707	4680516	4	335
4660720R	7	453	4663086	5	701	4680516	4	337
4660720R	7	459	4663086	20	703	4681233	4	151
4660732	23	459	4663086	15	705	4681233	3	351
4660732R	23	459	4663086	1	707	4681233	4	353
4660755	22	659	4663783	27	533	4681238	12	311
4660755	19	661	4664861	19	151	4681238	15	311
4660755	20	663	4664861	19	247	4681238	7	311
4660782	3	309	4664861	4	351	4681879	14	759
4660944	14	733	4664861	5	353	4682266	33F	569
4661485	50	803	4664871	0	803	4682268	33D	569
4661819	22	763	4664872	0	801	4682361	5	667
4661965	13	733	4664909	6	375	4683123	87	319
4661974	7	773	4664929	2	127	4685091	20	403
4662206	5	647	4664929	3	165	4685180	30	397
4662206	2	653	4664929	2	225	4685311	14	799
4662223	21	407	4664929	6	259	4686391	12	761
4662224	34	399	4664929	7	293	4686489	16	311
4662226	32	407	4664929	7	295	4686493	19	311
4662227	3	399	4664931	8	293	4689585	3	649

Numerical Index - Continued

Part No.	Key	Page	Part No.	Key	Page	Part No.	Key	Page
4689854	27	661	4712839	18	687	4729032	50	823
4691142	35	527	4713021	26	763	4729032	1	825
4691804	3	769	4713021	2	765	4HK1XASA02A	1	79
4692542	6	363	4713022	27	763	4HK1XASA12A	1	177
4692542	6	365	4713022	1	765	4S00686	12	483
4692542	4	381	4713048	1	315	4S00686R	12	483
4692542	33	717	4713049	2	315	4S00730	11	583
4692607	18	479	4713323	7	495	4S00734	13	583
4696446	24	533	4713373	6	427	4S00734	16	585
4697482	12	595	4713899	11	63	4S00734	16	589
4697840	3	63	4713899	15	827	4S00810	32	825
4698464	5	275	4714374	0	547	4S00821	35	825
4699237	5	769	4714375	0	547	4S00862	5	63
4699403	1	383	4714376	0	547	4S01080	4	69
4699403	3	385	4714449	5	449	5009654	0A	669
4699461	3	383	4714449	7	455	5009668	0A	673
4699461	5	385	4714750	1	499	5009668	0A	831
4700462	26	281	4715840	3	747	5010089	0A	671
4700619	4	311	4716056	15	523	5095800980	4	145
4701415	6	563	4716056	14	525	5095800980	4	241
4701773	10	765	4716056	37	529	5096000130	5	191
4701773	13	765	4716074	5	723	5096000130	5	93
4701850	6	279	4716077	4	723	5096040120	7	105
4702173	33B	569	4716237	12	765	5096040120	7	203
4702430	18	529	4716346	10	277	5096050050	3	115
4702991	4E	471	4716583	33B	569	5096050050	18	189
4703323	11	563	4716846	33	569	5096050050	3	213
4703324	65	571	4716973	9	655	5096050050	18	91
4703329	1	555	4717389	1	499	5096050190	27	143
4703330	3	361	4717624	14	295	5096050190	27	239
4703330	2	555	4717624	3	499	5096050191	27	143
4703464	8	741	4717622	4	747	5096050191	27	239
4704922	0	479	4718061	11	533	5096050192	27	143
4704922	50	481	4718095	26	485	5096050192	27	239
4704924	2	489	4718096	25	485	5096230020	6	193
4704924	0	493	4718274	0	689	5096230020	6	95
4704925	4	479	4718274	0	691	5096230023	6	193
4704927	6	495	4718274	0	693	5096230023	6	95
4705202	7	775	4718274	0	695	5097003071	26	197
4705203	6	775	4718274	0	697	5097003071	26	99
4705608	2	645	4718274	26	751	5097070301	2	173
4705785	11	655	4718274	27	753	5097070301	2	269
4705786	13	655	4719387	9	771	5097070311	2	173
4705919	24B	359	4719388	10	771	5097070311	2	269
4706566	8	393	4719393	5	767	5098430030	10	145
4706566	8	395	4719394	7	767	5098430030	10	241
4706817	4B	471	4719395	6	767	5111290060	12	187
4706823	2	449	4719469	7	527	5111290060	11	189
4707465	34	561	4719469	21	529	5111290060	12	89
4707468	10	359	4719527	1	555	5111290060	11	91
4707576	12	759	4719528	3	361	5113690720	14	193
4707578	15	759	4719528	2	555	5113690720	14	95
4707581	0	759	4720313	23	533	5125650040	14	195
4707581	1	761	4720314	23	533	5125650040	14	97
4707585	1	759	4720520	83	585	5131650040	2	145
4707585	2	761	4720520	83	587	5131650040	2	241
4707784	1	495	4720520	83	589	5154112231	8	139
4707813	13	761	4720520	83	591	5157590030	25	133
4707814	13	761	4720567	16	361	5157590030	15	137
4708351	11	399	4721449	30	661	5157590030	25	231
4708387	10	393	4721999	4	489	5157590030	15	235
4708387	45	403	4721999	15	491	5873111090	1	113
4708451	2	365	4722645	12	293	5873111090	1	211
4708459	0	645	4722645	11	295	5873111091	1	113
4708461	6	657	4722649	50	435	5873111091	1	211
4708462	1	645	4722865	9	655	5878157040	1	181
4708533	33	399	4723718	12	305	5878157040	1	83
4708537	30	359	4723719	13	305	5878157041	1	181
4709168	25	407	4724231	15	305	5878157041	1	83
4710223	10	741	4724232	39	573	5878170070	2	189
4710420	1	449	4724292	17	485	5878170070	2	91
4710420	1	451	4724292	17	487	5878170080	2	189
4710420	1	453	4724348	2	747	5878170080	2	91
4710535	10	723	4724782	6	415	5878170090	1	179
4711304	4	279	4724983	11	561	5878170090	1	81
4711577	10	521	4725406	24	311	5878178830	1	179
4711577	12	521	4726439	6	777	5878178830	1	81
4711577	4	841	4727702	14	305	5878178832	1	179
4711905	1	279	4728520	28	717	5878178832	1	81
4712229	35	561	4728520	4	853	5878178833	1	179
4712229	8	561	4729000	0	381	5878178833	1	81
4712344	1	351	4729022	28	783	5878178850	1	181
4712344	5	563	4729022	27	785	5878178850	1	83

Numerical Index - Continued

Part No.	Key	Page	Part No.	Key	Page	Part No.	Key	Page
6008X	10	569	8099406	1	67	8943126991	39	245
6015368	0A	635	8099799	1	651	8943225122	17	187
6027592	0	421	8099800	0	651	8943225122	17	89
6027593	4	421	8100576	6	483	8943225132	16	187
6027603	4A	471	8100955	1	783	8943225132	16	89
6027660	0	427	8100955	1	785	8943346811	4	197
6027661	1	427	8100958	10	783	8943346811	4	99
6027718	0	415	8100958	10	785	8943388781	23	143
6028003	0	429	8101299	4	659	8943388781	23	239
7031988	1A	43	8101299	7	661	8943425740	4	115
7046189	0	669	8101299	5	663	8943425740	4	213
7046189	1	833	8101300	1	795	8943439190	4	105
7046189H	0	669	8101300H	1	795	8943439190	4	203
7046189H	1	833	8101301	2	795	8943693400	20	197
7047084	3A	47	8101301H	2	795	8943693400	20	99
7047084	3A	49	8102521	1	751	8943722211	1	197
7047110	0	673	8102521	1	753	8943722211	1	99
7047110	0	831	8102646	0A	389	8943795431	674	175
7047110H	0	673	8102815	1	285	8943795431	674	271
7047110H	0	831	8102957	13	669	8943795431	7	321
7048654	0	671	8102957	28	833	8943795431	7	323
7048654H	0	671	8103785	2	551	8943860471	6	189
7049580	25	783	8104656	1	325	8943860471	6	91
7049580	24	785	8104656	1	327	8943876581	13	111
7054613	9	327	8106893	8	659	8943876581	13	209
7054613	0	437	8106893	9	661	8943905201	5	115
7056582	3A	41	8106893	9	663	8943905201	5	213
7057117	4G	471	8117101	2	485	8943905270	7	115
7057118	4H	471	8117101	2	487	8943905270	7	213
7057119	0	471	8118208	0	653	8943907773	13	187
7057120	1	471	8118287	4F	471	8943907773	13	89
7057403	3	365	8118420	92	795	8943907776	13	187
7057539	1	421	8118420	3	833	8943907776	13	89
7058363	1	483	8119300	16	479	8943907832	17	195
7058364	2	483	8119301	8	421	8943907832	17	97
7058365	17	483	8119409	0	655	8943908580	16	185
7058366	9	483	8119897	20	655	8943908580	16	87
7058382	0	483	8120061	1	485	8943908581	16	185
7058384	0	429	8120061	1	487	8943908581	16	87
7058385	10	429	8120379	11	645	8943909891	4	133
7058387	13	361	8120722	9	723	8943909891	4	231
7058388	14	361	8120757	10	421	8943913100	17	185
7058389	4	431	8121808	2	291	8943913100	17	87
7058390	3	431	8122354	1	305	8943914680	18	195
7058400	13	483	8122440	2	305	8943914680	18	97
7058402	5	483	8126604	2	381	8943917940	20	101
7058406	7	479	8913907775	13	187	8943917940	20	199
7058982	15	563	8913907775	13	89	8943917941	20	101
7059085	34	527	8940120390	26	107	8943917941	20	199
8050658	19	571	8940120390	8	107	8943920023	13	195
8053499	15	595	8940120390	6	113	8943920023	13	97
8058352	36	569	8940120390	20	143	8943922551	5	101
8061722	11	723	8940120390	7	147	8943922551	5	199
8062624H	2	781	8940120390	11	183	8943925532	2	165
8062625H	1	781	8940120390	26	205	8943925532	5	259
8064040	0	635	8940120390	8	205	8943925532	8	293
8070638	0H	673	8940120390	6	211	8943925532	8	295
8070638	0H	831	8940120390	20	239	8943925590	5	145
8074315	27	671	8940120390	7	243	8943925590	5	241
8074315H	27	671	8940120390	11	85	8943926550	6	183
8074315H	0	675	8941077132	5	147	8943926550	6	85
8076541	10	677	8941077132	5	243	8943929990	26	195
8076541H	10	677	8941558690	11	149	8943929990	26	97
8077903	32	653	8941558690	11	245	8943931310	10	195
8081525H	4	781	8941583930	5	107	8943931310	10	97
8082052	4	795	8941583930	11	135	8943931320	7	101
8082052H	4	795	8941583930	3	149	8943931320	7	199
8082053	5	795	8941583930	5	205	8943946710	12	127
8082053H	5	795	8941583930	11	233	8943946710	12	225
8082106H	3	781	8941583930	3	245	8943948030	11	195
8083882	1	789	8941583931	5	107	8943948030	11	97
8083882H	1	789	8941583931	11	135	8943950240	22	195
8084097	0	789	8941583931	3	149	8943950240	22	97
8084097H	0	789	8941583931	5	205	8943956840	4	183
8087257	0	787	8941583931	11	233	8943956840	4	85
8087257H	0	787	8941583931	3	245	8943958821	2	195
8087377	1	787	8941734120	7	133	8943958821	2	97
8087377H	1	787	8941734120	7	189	8943958822	2	195
8097015	0	55	8941734120	7	231	8943958822	2	97
8098305	4	733	8941734120	7	91	8943958840	15	195
8098306	1	797	8942251850	26	197	8943958840	15	97
8098939	2	415	8942251850	26	99	8943958850	16	195
8099321	14	65	8943126991	39	149	8943958850	16	97

Numerical Index - Continued

Part No.	Key	Page	Part No.	Key	Page	Part No.	Key	Page
8943958851	16	195	8970287481	3	103	8972093422	6	103
8943958851	16	97	8970287481	3	201	8972093422	6	201
8943960152	23	195	8970290590	9	159	8972093423	6	103
8943960152	23	97	8970290590	9	253	8972093423	6	201
8943964390	4	195	8970297050	11	107	8972096090	12	189
8943964390	4	97	8970297050	9	133	8972096090	12	91
8943967110	5	141	8970297050	5	137	8972097281	11	197
8943967110	5	237	8970297050	11	205	8972097281	11	99
8943972860	4	185	8970297050	9	231	8972097282	11	197
8943972860	4	87	8970297050	5	235	8972097282	11	99
8943974961	8	101	8970365501	5	189	8972098763	3	195
8943974961	8	199	8970365501	5	91	8972098763	3	97
8943992770	10	101	8970392001	29	133	8972098764	3	195
8943992770	10	199	8970392001	29	231	8972098764	3	97
8943992830	11	101	8970614011	9	127	8972099491	1	119
8943992830	11	199	8970614011	31	149	8972099491	1	217
8943993390	18	143	8970614011	7	165	8972165110	8	187
8943993390	18	239	8970614011	7	167	8972165110	8	89
8943993980	14	145	8970614011	9	225	8972196500	20	107
8943993980	14	241	8970614011	31	245	8972196500	20	205
8943993990	19	143	8970614011	18	259	8972385960	12	137
8943993990	19	239	8970614011	18	261	8972385960	12	235
8943994210	18	187	8970614011	18	263	8972500731	6	109
8943994210	18	89	8970615430	4	109	8972500731	6	207
8943994870	7	195	8970615430	4	207	8972621660	1	195
8943994870	7	97	8970663861	9	137	8972621660	1	97
8943995532	16	189	8970663861	9	235	8973004480	16	197
8943995532	16	91	8970667980	17	197	8973004480	16	99
8943995540	3	187	8970667980	17	99	8973007892	1	115
8943995540	3	89	8970776380	15	189	8973007892	1	213
8943995550	4	187	8970776380	15	91	8973007893	1	115
8943995550	4	89	8970961920	6	167	8973007893	1	213
8943996880	2	191	8970961921	8	165	8973060250	22	107
8943996880	2	93	8970961921	6	167	8973060250	22	205
8943996881	2	191	8970961921	19	259	8973060251	22	107
8943996881	2	93	8970968210	9	187	8973060251	22	205
8943996890	3	183	8970968210	9	89	8973060810	5	133
8943996890	3	85	8970968240	10	189	8973060810	5	231
8943997130	18	143	8970968240	10	91	8973064213	20	195
8943997130	18	239	8970968260	5	197	8973064213	20	97
8943997230	2	183	8970968260	5	99	8973064243	21	195
8943997230	2	85	8971019740	12	105	8973064243	21	97
8943998631	3	171	8971019740	12	203	8973064262	9	195
8943998631	3	267	8971043800	10	197	8973064262	9	97
8944369330	3	131	8971043800	10	99	8973070752	5	127
8944369330	3	229	8971045071	12	149	8973070752	5	225
8944551440	2	131	8971045071	12	245	8973243861	25	143
8944551440	2	229	8971114770	19	107	8973243861	25	239
8944584730	3	113	8971114770	19	205	8973243861	11	315
8944584730	3	119	8971126080	21	197	8973288590	6	189
8944584730	3	211	8971126080	21	99	8973288590	6	91
8944584730	3	217	8971129990	9	101	8973296170	8	191
8944584731	3	113	8971129990	9	199	8973296170	8	93
8944584731	3	119	8971131670	17	197	8973296180	13	189
8944584731	3	211	8971131670	17	99	8973296180	13	91
8944584731	3	217	8971147790	3	105	8973301182	7	135
8944607060	11	151	8971147790	3	203	8973301182	7	233
8944607061	11	151	8971256011	12	151	8973301183	7	135
8944607061	46	247	8971256011	89	247	8973301183	7	233
8944607061	8	321	8971312230	12	193	8973301192	8	135
8944607061	8	323	8971312230	12	95	8973301192	8	233
8944619651	15	143	8971354190	4	105	8973301193	8	135
8944619651	15	239	8971354190	4	203	8973301193	8	233
8944707710	5	147	8971354230	17	189	8973313590	5	183
8944707710	5	243	8971354230	4	191	8973313590	5	85
8944725840	8	105	8971354230	17	91	8973313591	5	183
8944725840	8	203	8971354230	4	93	8973313591	5	85
8944725841	8	105	8971375010	14	145	8973313600	11	185
8944725841	8	203	8971375010	14	241	8973313600	11	87
8944836740	17	189	8971464991	2	109	8973313601	11	185
8944836740	4	191	8971464991	2	207	8973313601	11	87
8944836740	17	91	8971464992	2	109	8973313620	15	185
8944836740	4	93	8971464992	2	207	8973313620	15	87
8970110950	7	119	8971746500	10	195	8973313621	15	185
8970110950	7	217	8971746500	10	97	8973313621	15	87
8970135662	2	143	8971780130	9	101	8973321333	1	171
8970135662	2	239	8971780130	9	199	8973321333	1	267
8970158360	19	107	8971863981	8	197	8973323582	14	187
8970158360	19	205	8971863981	8	99	8973323582	14	89
8970163140	13	143	8971892441	7	197	8973344140	27	195
8970163140	13	239	8971892441	7	99	8973344140	27	97
8970287330	4	101	8972032780	2	135	8973500210	7	197
8970287330	4	199	8972032780	2	233	8973500210	7	99

Numerical Index - Continued

Part No.	Key	Page	Part No.	Key	Page	Part No.	Key	Page
8973514510	5	189	8973780750	39	149	8976110800	18	165
8973514510	5	91	8973780750	39	245	8976110800	34	259
8973525343	1	101	8973788140	23	107	8976110800	34	263
8973525343	1	199	8973788140	23	205	8976155680	4	111
8973525370	1	191	8973811820	29	107	8976155680	4	155
8973525370	1	93	8973811820	20	151	8976155680	4	209
8973569390	8	195	8973811820	29	205	8976155680	10L	249
8973569390	8	97	8973811820	20	247	8976163580	17	101
8973627472	12	101	8973811820	15	279	8976163580	17	199
8973627472	12	199	8973816031	23	187	8976163590	17	101
8973628150	3	121	8973816031	23	89	8976163590	17	199
8973628150	3	219	8973816170	4	127	8976282570	19	165
8973628421	1	183	8973816170	4	225	8976282570	10	167
8973628421	1	85	8973828730	6	159	8976282570	35	259
8973628422	1	183	8973828730	6	253	8976282570	35	263
8973628422	1	85	8973828821	8	159	8976289561	6	163
8973628441	8	151	8973828821	8	253	8976289561	6	257
8973628441	21	247	8973829550	5	103	8976289561	10	303
8973628450	1	123	8973829550	5	201	8978058411	2	121
8973628450	1	221	8973829730	6	159	8978058411	2	219
8973632370	9	137	8973829730	6	253	8980010220	21	149
8973632370	9	235	8973834270	9	139	8980010220	21	245
8973638451	8	193	8973834270	29	311	8980010230	6	149
8973638451	8	95	8973861890	8	195	8980010230	6	245
8973639360	13	151	8973861890	8	97	8980010240	5	149
8973654490	3	171	8973865480	10	101	8980010240	5	245
8973654490	3	267	8973865480	10	199	8980010410	13	135
8973679841	5	155	8973865490	11	101	8980010410	13	233
8973679841	8	169	8973865490	11	199	8980034160	18	187
8973679841	10E	249	8973870090	17	107	8980034160	18	89
8973679841	16	293	8973870090	17	205	8980056310	4	151
8973679841	15	295	8973879950	21	107	8980056311	4	151
8973679850	13	107	8973879950	21	205	8980056311	10C	247
8973679850	15	149	8973879951	21	107	8980056311	3	351
8973679850	2	153	8973879951	21	205	8980056311	4	353
8973679850	3	155	8973880231	70	193	8980059850	36	261
8973679850	26	197	8973880231	70	95	8980088460	7	139
8973679850	13	205	8973899210	9	195	8980088461	7	139
8973679850	15	245	8973899210	9	97	8980088950	4	133
8973679850	26	99	8976005861	13	197	8980088950	4	231
8973679851	13	107	8976005861	13	99	8980120093	10	161
8973679851	15	149	8976005900	15	197	8980120093	10	255
8973679851	2	153	8976005900	15	99	8980140460	3	189
8973679851	3	155	8976009250	3	133	8980140460	3	91
8973679851	26	197	8976009250	3	231	8980140461	3	189
8973679851	13	205	8976014472	6	133	8980140461	3	91
8973679851	15	245	8976014472	6	231	8980140471	3	189
8973679851	10F	249	8976016981	28	133	8980140471	3	91
8973679851	48	295	8976016981	16	137	8980170630	28	107
8973679851	26	99	8976016981	28	231	8980170630	7	113
8973688530	25	187	8976016981	16	235	8980170630	28	205
8973688530	25	89	8976019670	19	151	8980170630	7	211
8973694040	17	105	8976019670	19	247	8980171450	6	157
8973694040	27	197	8976019670	4	351	8980171450	6	251
8973694040	17	203	8976019670	5	353	8980171480	2	157
8973694040	27	99	8976022180	15	133	8980171480	2	251
8973716540	7	161	8976022180	30	133	8980171660	16	101
8973716540	7	255	8976022180	15	135	8980171660	16	199
8973720760	2	101	8976022180	15	231	8980182361	14	101
8973720760	2	199	8976022180	30	231	8980182361	14	199
8973720761	2	101	8976022180	15	233	8980184251	19	101
8973720761	2	199	8976028701	12	169	8980184251	19	199
8973720771	2	101	8976028701	17	293	8980184252	19	101
8973720771	2	199	8976033621	5	119	8980184252	19	199
8973720781	2	101	8976033621	5	217	8980184253	19	101
8973720781	2	199	8976049160	22	187	8980184253	19	199
8973745170	8	149	8976049160	13	193	8980184620	20	187
8973745170	8	245	8976049160	22	89	8980184620	20	89
8973759110	13	161	8976049160	13	95	8980185071	1	121
8973759110	13	255	8976062470	7	187	8980185071	1	219
8973767191	6	187	8976062470	7	89	8980188631	18	101
8973767191	6	89	8976066610	20	187	8980188631	18	199
8973767192	6	187	8976066610	20	89	8980189353	6	195
8973767192	6	89	8976066760	15	197	8980189353	6	97
8973767200	19	195	8976067670	15	99	8980190240	24	197
8973767200	19	97	8976067680	20	197	8980190240	24	99
8973767580	2	127	8976067680	20	99	8980191790	14	167
8973767580	3	165	8976067700	21	197	8980191790	45	261
8973767580	2	225	8976067700	21	99	8980201440	5	121
8973767580	6	259	8976069290	16	197	8980201440	5	219
8973767580	7	293	8976069290	16	99	8980235810	12	137
8973780670	12	149	8976069430	18	105	8980235810	12	235
8973780670	12	245	8976069430	18	203	8980236160	12	197

Numerical Index - Continued

Part No.	Key	Page	Part No.	Key	Page	Part No.	Key	Page
8980236160	12	99	8980703250	7	157	8981161401	7	87
8980238810	4	197	8980703250	7	251	8981161402	7	185
8980238810	4	99	8980703260	5	157	8981161402	7	87
8980274560	16	151	8980703260	5	251	8981164210	1	105
8980274560	52	247	8980727120	40	149	8981164210	1	203
8980283980	16	149	8980727120	40	245	8981164211	1	105
8980283980	16	245	8980739300	3	157	8981164211	1	203
8980288740	7	187	8980739300	3	251	8981164212	1	105
8980288740	7	89	8980792480	6	133	8981164212	1	203
8980288750	8	187	8980792480	6	231	8981184221	19	167
8980288750	8	89	8980797550	3	141	8981184221	53	261
8980289991	10	133	8980797550	3	237	8981216970	27	107
8980289991	10	231	8980815070	12	107	8981216970	27	205
8980292700	1	101	8980815070	7	107	8981216971	27	107
8980292700	1	199	8980815070	12	205	8981216971	27	205
8980309550	17	149	8980815070	7	205	8981217690	21	149
8980309550	17	245	8980817723	1	133	8981217690	21	245
8980318440	19	133	8980817723	1	137	8981218760	11	145
8980318440	13	137	8980817723	1	231	8981218760	11	241
8980318440	19	231	8980817723	1	235	8981222261	26	149
8980318440	13	235	8980817724	1	133	8981222261	26	245
8980326110	18	107	8980817724	1	137	8981222262	26	149
8980326110	18	205	8980817724	1	231	8981222262	26	245
8980352340	4	121	8980817724	1	235	8981227830	21	143
8980352340	4	219	8980863290	5	163	8981227830	21	239
8980358280	18	133	8980863290	5	257	8981227840	22	143
8980358280	31	133	8980863290	41	293	8981227840	22	239
8980358280	18	135	8980863290	39	295	8981227860	14	143
8980358280	18	231	8980863330	13	163	8981227860	14	239
8980358280	31	231	8980863330	13	257	8981232461	5	129
8980358280	18	233	8980911410	21	101	8981232461	5	227
8980362950	7	159	8980911410	21	199	8981232472	6	129
8980362950	7	253	8980915660	14	189	8981232472	6	227
8980378230	6	147	8980915660	14	91	8981232511	23	149
8980378230	6	243	8980921160	2	151	8981232511	23	245
8980410640	14	197	8980921161	2	151	8981261860	8	129
8980410640	14	99	8980921161	1	159	8981261860	8	227
8980410890	18	197	8980921161	2	247	8981261870	9	129
8980410890	18	99	8980921161	1	253	8981261870	9	227
8980410990	9	197	8980921162	2	151	8981263320	20	133
8980410990	9	99	8980921162	1	159	8981263320	14	137
8980430330	18	133	8980921162	2	247	8981263320	20	231
8980430330	31	133	8980921162	1	253	8981263320	14	235
8980430330	18	135	8980923990	4	159	8981318050	2	159
8980430330	18	231	8980923990	4	253	8981318050	2	253
8980430330	31	231	8980961660	2	129	8981331241	11	169
8980430330	18	233	8980961660	2	227	8981331241	6	375
8980435280	38	149	8981008991	1	125	8981354640	8	143
8980435280	38	245	8981008991	1	223	8981354640	8	239
8980450081	22	133	8981008992	1	125	8981386950	33	133
8980450081	22	231	8981008992	1	223	8981386950	33	135
8980450081	22	143	8981008993	1	125	8981386950	33	231
8980454470	24	239	8981008993	1	223	8981386950	33	233
8980454470	24	149	8981008994	1	125	8981387360	32	133
8980461920	7	245	8981008994	1	223	8981387360	32	135
8980461920	7	149	8981078573	25	149	8981387360	32	231
8980461921	7	245	8981078573	25	245	8981387360	32	233
8980461921	7	127	8981078574	25	149	8981413510	28	165
8980462410	3	225	8981078574	25	245	8981413510	56	259
8980484460	6	127	8981097110	6	143	8981442470	4	193
8980484460	6	225	8981097110	6	239	8981442470	4	95
8980540640	8	157	8981097111	6	143	8981455010	18	137
8980540640	8	251	8981097111	6	239	8981455010	18	235
8980554800	17	101	8981125581	6	185	8981455011	18	137
8980554800	17	199	8981125581	6	87	8981455011	18	235
8980607800	10	197	8981125582	6	185	8981475390	17	143
8980607800	10	99	8981125582	6	87	8981475390	17	239
8980653550	10	105	8981139771	1	109	8981519150	1	131
8980653550	10	203	8981139771	1	207	8981519150	1	229
8980659920	3	133	8981142560	2	187	8981519330	3	101
8980659920	3	231	8981142560	2	89	8981519330	3	199
8980690202	9	143	8981148000	2	113	8981525131	26	165
8980690202	9	239	8981148000	2	211	8981525131	48	259
8980690203	9	143	8981148001	2	113	8981566480	13	151
8980690203	9	239	8981148001	2	211	8981566480	12	247
8980690204	9	143	8981148010	4	147	8981619950	17	137
8980690204	9	239	8981148030	13	127	8981619950	17	235
8980703211	1	151	8981148030	13	225	8981638130	9	183
8980703211	1	157	8981148041	6	131	8981638130	9	85
8980703211	1	247	8981148041	6	229	8981646610	14	107
8980703211	1	251	8981156671	1	107	8981646610	14	205
8980703240	4	157	8981156671	1	205	8981651750	7	109
8980703240	4	251	8981161401	7	185	8981651750	7	207

Numerical Index - Continued

Part No.	Key	Page	Part No.	Key	Page	Part No.	Key	Page
8981651751	7	109	8982318982	41	295	8982373880	7	169
8981651751	7	207	8982365680	2	107	8982373880	36	293
8981651760	8	109	8982365680	2	205	8982373881	7	169
8981651760	8	207	8982365720	15	107	8982373881	36	293
8981651761	8	109	8982365720	15	205	8982373882	7	169
8981651761	8	207	8982365740	22	149	8982373882	16	265
8981669780	11	191	8982365740	22	245	8982373882	34	295
8981669780	11	93	8982365750	24	149	8982373890	11	165
8981669782	11	191	8982365750	24	245	8982373890	25	259
8981669782	11	93	8982365830	8	133	8982377310	12	165
8981694030	7	163	8982365830	4	137	8982377310	26	259
8981694030	7	257	8982365830	8	231	8982377320	27	261
8981694080	8	163	8982365830	4	235	8982377330	13	165
8981694080	8	257	8982365900	21	133	8982377330	28	259
8981694090	9	163	8982365900	19	135	8982377350	29	261
8981694090	9	257	8982365900	21	231	8982378250	14	165
8981694110	10	163	8982365900	19	233	8982378250	30	259
8981694110	10	257	8982369200	4	163	8982384631	2	133
8981694120	11	163	8982369200	42	293	8982384631	2	231
8981694120	11	257	8982373370	2	119	8982384740	1	127
8981694141	12	163	8982373370	2	217	8982384740	1	225
8981694141	12	257	8982373460	18	149	8982384741	1	127
8981694161	14	163	8982373460	18	245	8982384741	1	225
8981694161	14	257	8982373480	20	135	8982385990	4	139
8981703310	15	163	8982373480	20	233	8982385990	32	311
8981703310	15	257	8982373490	8	127	8982389100	2	115
8981706190	1	185	8982373490	8	225	8982389100	2	213
8981706190	1	187	8982373500	3	135	8982389101	2	115
8981706190	1	87	8982373500	3	233	8982389101	2	213
8981706190	1	89	8982373510	4	135	8982389240	17	165
8981727350	29	149	8982373510	4	233	8982389240	33	259
8981727350	29	245	8982373520	5	135	8982390810	11	153
8981732650	13	191	8982373520	5	233	8982390810	42F	249
8981732650	13	93	8982373530	6	135	8982391290	1	149
8981733420	8	189	8982373530	6	233	8982391290	1	245
8981733420	8	91	8982373540	16	135	8982391292	1	149
8981744720	12	161	8982373540	16	233	8982391292	1	245
8981744720	20	161	8982373550	6	141	8982394640	5	139
8981744720	12	255	8982373550	6	237	8982394640	2	311
8981744720	20	255	8982373560	14	135	8982394641	5	139
8981744730	8	161	8982373560	14	233	8982394650	1	139
8981744730	8	255	8982373583	2	171	8982394650	2	311
8981779000	1	193	8982373583	2	267	8982394652	1	139
8981779000	1	95	8982373590	9	153	8982394654	1	139
8981783581	9	169	8982373590	42D	249	8982394654	2	311
8981783581	39	293	8982373600	20	149	8982394655	1	139
8981821551	9	161	8982373600	10	153	8982394655	2	311
8981821551	9	255	8982373600	20	245	8982403200	5	193
8981827880	10	193	8982373600	42E	249	8982403200	5	95
8981827880	10	95	8982373630	9	165	8982403250	2	193
8981867621	10	169	8982373630	21	259	8982403250	2	95
8981893360	11	111	8982373650	10	165	8982422110	6	111
8981893360	11	209	8982373650	22	259	8982422110	6	209
8982007520	24	133	8982373660	8	167	8982426521	4	375
8982007520	24	231	8982373660	23	261	8982445220	15	101
8982007530	30	149	8982373670	9	167	8982445220	15	199
8982007530	30	245	8982373670	24	261	8982446690	17	133
8982024750	19	161	8982373770	30	293	8982446690	17	135
8982024750	19	255	8982373771	1	169	8982446690	17	231
8982038950	8	103	8982373771	30	293	8982446690	17	233
8982038950	8	201	8982373772	1	169	8982465671	16	133
8982045290	1	189	8982373772	30	293	8982465671	11	137
8982045290	14	191	8982373773	1	169	8982465671	16	231
8982045290	1	91	8982373773	30	293	8982465671	11	235
8982045290	14	93	8982373820	2	169	8982476970	1	117
8982264731	1	163	8982373820	31	293	8982476970	1	215
8982264731	1	257	8982373830	3	169	8982477240	4	117
8982264731	1	303	8982373830	32	293	8982477240	4	215
8982264732	1	163	8982373831	3	169	8982480331	3	117
8982264732	1	257	8982373831	32	293	8982480331	3	215
8982264732	1	303	8982373832	3	169	8982513450	5	131
8982266410	6	161	8982373832	32	293	8982513450	3	139
8982266410	6	255	8982373833	3	169	8982513450	18	151
8982313930	2	141	8982373840	4	169	8982513450	7	191
8982313930	2	237	8982373840	33	293	8982513450	5	229
8982318980	2	163	8982373860	5	169	8982513450	66	247
8982318980	2	257	8982373860	34	293	8982513450	34	311
8982318980	43	293	8982373871	6	169	8982513450	7	93
8982318981	2	163	8982373871	35	293	8982521410	13	169
8982318981	2	257	8982373872	6	169	8982521410	51	293
8982318982	2	163	8982373872	35	293	8982521410	45	295
8982318982	2	257	8982373873	6	169	8982534070	70	193
8982318982	43	293	8982373873	35	293	8982534070	19	305

Numerical Index - Continued

Part No.	Key	Page	Part No.	Key	Page	Part No.	Key	Page
8982534070	70	95	8983244460	1	295	9098518503	5	97
8982596140	7	111	8983244480	50	261	9098621560	9	191
8982596140	7	209	8983250950	1	127	9098621560	9	93
8982596140	3	305	8983250950	1	225	9098786260	6	101
8982600050	5	187	8983257960	13	247	9098786260	6	199
8982600050	5	89	8983257960	1	375	9099153151	7	119
8982682310	1	293	8983258090	95	247	9099153151	7	217
8982682311	1	293	8983258091	95	247	9101521	0	817
8982682312	15	165	8983269400	20	235	9107265	0	817
8982682312	50	167	8983338770	14	265	9107265EX	0	817
8982682312	50	169	8983338770	32	295	9111291280	11	187
8982683430	1	165	8983338770	3	297	9111291280	6	191
8982683430	1	259	8983338780	11	265	9111291280	11	89
8982683440	1	167	8983338780	29	295	9111291280	6	93
8982683440	2	261	8983338780	2	297	9117776121	2	185
8982683450	2	167	8983338790	1	297	9117776121	2	87
8982683450	3	261	8983338791	10	265	911801060	44	293
8982683460	3	167	8983338791	28	295	9134109	42	653
8982683460	4	261	8983338791	1	297	9134109	23	67
8982683470	49	261	8983338910	12	265	9134109	11	719
8982688130	11	163	8983338910	32	293	9134110	67	571
8982688130	11	257	8983338910	30	295	9134110	58	573
8982704440	7	239	8983338920	15	265	9134110	39	575
8982704930	17	167	8983338920	35	293	9134110	22	67
8982704931	17	167	8983338920	33	295	9134111	80	571
8982705440	27	165	8983341700	4	243	9134112	20	67
8982705440	51	259	8983341710	9	243	9145787	11	817
8982705450	18	167	8983507160	7	163	9150780	1	715
8982705450	52	261	8983507160	7	257	9154207	14	783
8982705480	16	165	8983578410	7	161	9154207	14	785
8982705480	32	259	8983578410	7	255	9156396	1	43
8982705500	20	167	8983673800	7	139	9156685H	2	781
8982705500	54	261	8983718270	2	171	9156686H	1	781
8982705810	4	167	8983718270	2	267	9167977	17	67
8982705810	9	261	8983758600	1	143	9184275	8	653
8982802810	6	115	8983758600	1	239	9184556	6	595
8982802810	6	213	8983758660	25	143	9185757	15	67
8982824390	4	169	8983758660	25	239	9185757	0	69
8982824390	33	293	8983758660	11	315	9204549	13	799
8982824391	4	169	9029558750	12	143	9207567	26	653
8982824391	13	265	9029558750	12	239	9207568	27	653
8982824391	33	293	9034906100	6	121	9214706	6	667
8982824391	31	295	9034906100	6	219	9218005	19	569
8982853191	1	375	9041108200	8	147	9218005	0	577
8982853192	17	151	9041108200	8	243	9218275	20	799
8982853192	1	375	9041108250	9	107	9226367	6	653
8982853210	21	151	9041108250	9	205	9228828	14	685
8982853211	21	151	9041308250	10	127	9228828	14	719
8983020750	1	143	9041308250	7	127	9228867	1	741
8983020750	1	239	9041308250	10	225	9228867	50	741
8983020750	11	315	9041308250	7	225	9229187	6	811
8983020750R	1	143	9075345	80	629	9230458	16	685
8983020750R	1	239	9081040300	3	145	9233692	0	63
8983020750R	11	315	9081040300	3	241	9234748	0	805
8983020751	1	143	9081140300	3	145	9234748H	0	805
8983020751	1	239	9081140300	3	241	9234887	16	737
8983020751	11	315	9081508200	13	101	9234888	13	737
8983023940	4	163	9081508200	13	199	9234984	0	41
8983023940	4	257	9089484	11	719	9234984R	0	41
8983023940	42	293	9091105080	5	167	9234985	1	41
8983023940	40	295	9091105080	11	193	9235104	3	41
8983042430	25	143	9091105080	11	95	9242963	3	47
8983042430	25	239	9091105100	5	109	9242963	3	49
8983042430	11	315	9091105100	5	207	9242963R	3	47
8983042431	25	143	9091115100	24	195	9242963R	3	49
8983042431	25	239	9091115100	24	97	9242964	13	47
8983042431	11	315	9091605140	6	151	9242964R	13	47
8983055620	3	297	9095258560	1	155	9242965	14	47
8983055640	2	297	9095613180	4	103	9242965	14	49
8983055660	1	169	9095613180	4	201	9243238	0	45
8983055660	30	293	9095714100	5	117	9243238R	0	45
8983055660	1	297	9095714100	1	147	9243267	20	45
8983055661	1	169	9095714100	41	149	9244235	12	737
8983055661	1	297	9095714100	5	215	9246436	17	647
8983055680	1	169	9095714100	1	243	9247662	32	65
8983055680	20	265	9095714100	41	245	9248074	0	803
8983055680	30	293	9095714120	4	131	9248075	0	801
8983055680	6	297	9095714120	4	229	9248307	0	807
8983129180	5	139	9095714160	14	105	9248307H	51	671
8983129180	2	311	9095714160	14	203	9248307H	50	673
8983244460	31	259	9098445740	12	195	9248307H	0	807
8983244460	31	261	9098445740	12	97	9248307H	50	831
8983244460	31	265	9098518503	5	195	9248705	15	51

Numerical Index - Continued

Part No.	Key	Page	Part No.	Key	Page	Part No.	Key	Page
9248706	10	51	957366	67A	571	9773142	16	723
9250499	15	53	957366	58A	573	9829322110	15	151
9250499R	15	53	957366	39A	575	9829322110	93	247
9250500R	10	53	957366	17A	67	984054	22	569
9257254	1	63	957366	22A	67	984614	28	801
9257254	0	65	957366	17	685	984614	28	803
9258325	1	63	957366	12	699	984614	30	805
9258325	0	65	957366	10	73	985098	40	587
9258325	0	65	957366	2	759	985098	40	589
9260003	32	65	957366	0	763	985098	40	591
9260003	0	67	957366	4	771	985582	11	709
9260971	11	813	957366	4	775	986910	0	737
9261222	0	63	958740	10	569	986910	1	739
9261222	3	75	959499	8	65	991334	5	655
9262248	11	813	962002	11	569	991342	1	823
9262916	51	823	962453	4	737	991725	12	569
9262916	0	827	962567	12	709	991725	44	569
9263210	13	783	963227	3	629	992526	20B	697
9263210	13	785	963228	1	629	9944112300	5	105
9264202	15	51	963229	2	629	9944112300	5	203
9264203	15	51	964255	14	667	A590105	12	839
9264205	15	53	966993	92	591	A590106	47	293
9264205R	15	53	966993	2	723	A590106	49	295
9264206R	15	53	966993	5	737	A590106	24	321
9264581	7	737	966993	4	783	A590106	22	323
9264948	30	799	966993	4	785	A590106	7	347
9265185	38	799	966993	4	797	A590106	29	351
9265186	37	799	971489	1	737	A590106	30	353
9265188	31	799	971489	2	739	A590106	13	375
9265189	36	799	9724756	32	571	A590106	4	425
9266180	17	569	9727822	18	71	A590106	2	433
9266180	0	573	9727822	18	73	A590106	18	441
9272343	1	701	9735305	23	755	A590106	22	485
9272343	20	705	9735305	23	757	A590106	23	487
9275950	22	685	9735306	24	755	A590106	3	495
9275950	23	685	9735306	24	757	A590106	10	527
9286528	0	803	9738383	0	57	A590106	24	529
9286528H	0	803	9738384	1	57	A590106	1	711
9286529	0	801	9738682	7	445	A590106	1	713
9286529H	0	801	9742779	63	569	A590106	13	839
9290833	7	741	9743977	62	569	A590106	13	841
9300912	3	41	9755974	0	61	A590106	4	843
9300913	3	41	9755978	0	39	A590106	38	855
9307430	4	471	9758896	6D	667	A590108	54	293
9312271	0	805	9759157	14	647	A590108	51	295
9312271H	0	805	9759158	15	647	A590108	26	299
9312272H	51	671	9761179	15	685	A590108	3	303
9312272H	50	673	9761179	20	687	A590108	51	312
9312272H	0	807	9761179	13	719	A590108	25	321
9312272H	50	831	9763817	7	679	A590108	23	323
9312792	50	575	9763817	91	787	A590108	30	351
9314145	2	685	9763817	91	789	A590108	31	353
9314145	3	687	9764485	3	741	A590108	3	359
9314145	1	719	9764772	21	795	A590108	2	361
9315741	1	563	9765007	90	795	A590108	5	365
9316550	1	687	9765301	91	795	A590108	10	375
9316550	60	741	9765303	92	795	A590108	7	393
9316612	60	823	9765335	7	527	A590108	4	423
9320066	1	499	9765335	21	529	A590108	13	431
9320068	2	499	9765409	10	707	A590108	4	475
933226	58A	585	9765409	16	759	A590108	8	483
933226	58A	589	9765447	19	659	A590108	9	485
939356	58H	589	9765447	16	661	A590108	9	487
939356	16	687	9765447	17	663	A590108	26	521
939356	10	719	9765653	94	795	A590108	9	523
94-0649	83	569	9765653R	94	795	A590108	26	525
94-2011	8	41	9766166	12	659	A590108	52	529
94-2011	7	47	9766166	11	661	A590108	35	533
94-2011	7	49	9766166	12	663	A590108	2	539
94-2012	36	827	9766968	9	733	A590108	4	555
942011	8	41	9767321	3	701	A590108	5	557
942011	7	47	9767321	2	703	A590108	21	561
942011	7	49	9767321	1	705	A590108	39	561
942013	44	63	9767653	16	723	A590108	5	561
942014	1	569	9767857	5	839	A590108	52	561
9512496040	11	161	9768727	16	723	A590108	61	561
9512496040	11	255	9771315	91	795	A590108	10	563
954495	11	699	9772287	15	687	A590108	2	601
957366	62	481	9772503	6	723	A590108	3	603
957366	2	493	9772536	16	521	A590108	3	607
957366	3	493	9773023	29	647	A590108	41	659
957366	30A	569	9773023	48	653	A590108	39	661
957366	16	571	9773023	16	667	A590108	6	663

Numerical Index - Continued

Part No.	Key	Page	Part No.	Key	Page	Part No.	Key	Page
A590108	20	701	A810070	2	47	A852233	4	761
A590108	14	703	A810070	2	49	A852233	1	763
A590108	13	705	A810100	8	817	A852233	4	765
A590108	16	709	A810160	7	595	A852322	25	741
A590108	34	755	A810190	4A	595	A852322	5	747
A590108	34	757	A810190	5	597	A852322	18	755
A590108	50	783	A811040	17	729	A852322	18	757
A590108	49	785	A811045	18	729	A852322	33	783
A590108	3	799	A811045	5	731	A852322	32	785
A590110	10	315	A811085	2	721	A852322	6	799
A590110	17	505	A811110	10	807	A852323	12	701
A590110	17	507	A811115	10	801	A852323	6	703
A590110	3	523	A811115	10	803	A852323	5	705
A590110	17	525	A811120	3	827	A852323	6	747
A590110	19	525	A811130	10	805	A852323	4	771
A590110	38	529	A852122	0	689	A852323	1	773
A590110	6	533	A852122	1	689	A852323	31	783
A590110	16	659	A852122	0	691	A852323	30	785
A590110	2	659	A852122	1	691	A852332	26	799
A590110	15	661	A852122	0	693	A852333	18	595
A590110	5	661	A852122	1	693	A852333	26	741
A590110	16	663	A852122	0	695	A852333	7	747
A590110	3	663	A852122	1	695	A852333	4	759
A590110	3	751	A852122	0	697	A852333	5	761
A590110	3	753	A852122	1	697	A852333	2	763
A590112	12	327	A852122	10	71	A852333	5	765
A590112	12	335	A852122	10	73	A852333	1	767
A590112	12	337	A852122	19	741	A852333	2	769
A590112	2	437	A852122	9	747	A852334	9	725
A590112	3	567	A852122	5	749	A852334	9	727
A590112	24	795	A852122	24	751	A852334	19	755
A590114	5G	331	A852122	26	751	A852334	19	757
A590114	17	533	A852122	25	753	A852343	27	741
A590114	5	751	A852122	16	755	A852344	6	71
A590114	5	753	A852122	16	757	A852344	6	73
A590116	OR	443	A852122	30	783	A852344	28	741
A590116	35	855	A852122	29	785	A852344	20	755
A590905	9	309	A852122	7	799	A852344	20	757
A590906	8	331	A852123	45	659	A852422	21	755
A590906	10	343	A852123	32	661	A852422	21	757
A590906	7	345	A852123	7	665	A852422	10	799
A590906	16	653	A852123	13	701	A852432	41	799
A590908	6	557	A852123	7	703	A852433	35	661
A590910	6	305	A852123	6	705	A852433	6	665
A590910	9	335	A852123	9	717	A852433	3	711
A590910	9	339	A852123	11	749	A852433	23	717
A590910	7	343	A852123	4	777	A852522	18	741
A590910	5	347	A852123	46	783	A852522	11	799
A590910	19	485	A852123	45	785	A852544	7	71
A590910	19	487	A852132	35	799	A852544	7	73
A590910	18	505	A852133	19	595	A853166	20	673
A590910	18	507	A852133	2	711	A853166	3	71
A590910	5	523	A852133	10	717	A853166	7	721
A590910	21	525	A852133	6	725	A853166	3	725
A590910	39	529	A852133	6	727	A853166	3	727
A590910	6	549	A852133	20	741	A853166	3	73
A590910	11	653	A852133	8	747	A853166	5	745
A590910	3	659	A852133	8	751	A853166	20	831
A590910	6	661	A852133	9	753	A853180	24	783
A590910	4	663	A852133	17	755	A853180	23	785
A590910	35	801	A852133	17	757	A853366	24	671
A590910	35	803	A852133	0	767	A853366	6	721
A590910	35	805	A852133	1	769	A853388	7	783
A590910	31	807	A852133	3	777	A853388	7	785
A590912	1	567	A852133	19	783	A885002	29	741
A590912	37	855	A852133	19	785	A885002	4	743
A590914	5H	331	A852134	8	725	A885002	12	749
A590914	38	801	A852134	8	727	A885002	5	799
A590914	38	803	A852222	23	741	A885003	17	595
A590914	3	819	A852223	23	661	A885003	19	729
A590916	0Q	443	A852223	11	701	A885004	16	595
A590916	38	569	A852223	5	703	A885004	2	743
A590916	3	61	A852223	4	705	A885006	20	729
A590916	36	855	A852223	14	747	A885006	3	731
A590918	3	55	A852223	2	759	A885008	21	729
A590920	7	63	A852223	3	761	A885008	10	787
A763016	15	659	A852223	0	763	A885008	10	789
A763016	14	661	A852223	3	765	A885008	16	791
A763016	15	663	A852233	9	659	A885008	11	793
A763025	1B	441	A852233	24	661	A885008	16	795
A810050	15	719	A852233	5	665	AC01130NC	15	639
A810060	11	595	A852233	24	741	AC01130NC	48	673
A810060	10	709	A852233	3	759	AC01130NC	48	831

Numerical Index - Continued

Part No.	Key	Page	Part No.	Key	Page	Part No.	Key	Page
AC07007NC	49	673	AT180017	6	49	AT318035	3	71
AC07007NC	49	831	AT180019	2	47	AT318035	7	721
AE24616	43	659	AT180019	2	49	AT318035	3	725
AE42718	10	755	AT180028	3	51	AT318035	3	727
AE42718	10	757	AT180028	3	53	AT318035	3	73
AE45056	12	799	AT180047	10	45	AT318035	5	745
AE48033	7	637	AT180585	4	713	AT318035	20	831
AE52955	2	713	AT186111	26	787	AT318060	23	383
AH104837	9	279	AT186111	26	789	AT318060	24	385
AH173446	16	805	AT186112	30	787	AT322189	18	453
AH173454	28	807	AT186112	30	789	AT327652	1	657
AH225127	2	805	AT186113	31	787	AT329366	8	459
AH225127H	2	805	AT186113	31	789	AT329370	29	459
AH225133	32	805	AT186114	27	787	AT329373	25	459
AH225134	2	801	AT186114	27	789	AT329618	8	445
AH225134	2	803	AT186161	5	51	AT329619	9	445
AH225135	50	805	AT186161	5	53	AT329638	10	445
AH225136	50	801	AT186162	4	51	AT329639	11	445
AH225136	50	803	AT186162	4	53	AT331104	6	713
AH225137	50	807	AT186623	4	711	AT331768	8	711
AH225139	29	805	AT186623	5	713	AT332621	0	43
AH225142	2	807	AT191297	5	711	AT336248	7	495
AH225143	32A	803	AT195279	6	453	AT336248	7A	495
AH225364	23	855	AT196588	6	711	AT336248	2	497
AH225998H	25	807	AT200990	86	569	AT339151	40	631
AH225998H	27	807	AT202412	6	569	AT339153	12	633
AH226284	27B	803	AT202414	5	569	AT339692	10	681
AH226285	26B	803	AT202443	43	569	AT339959	1	809
AH226482	39	805	AT204965	6	823	AT342511	92	611
AH226483	39	801	AT213843	5	823	AT342511	92	613
AH226483	39	803	AT214401	63	569	AT342511	92	615
AH226483	35	807	AT214406	62	569	AT342511	92	617
AH234557	28	807	AT215538	27	659	AT342511	92	619
AH234560	2	805	AT216983	47	659	AT342511	92	621
AH234562	32	805	AT217709	64	569	AT342511	92	623
AH234565	32A	803	AT219468	7	51	AT342511	92	625
AH234568	29	805	AT219468	7	53	AT342512	91	611
AH234610	25	807	AT219471	8	51	AT342512	91	613
AH234611	25	807	AT219471	8	53	AT342512	90	615
AH234613	27B	803	AT219482	13	51	AT342512	90	617
AH234614	26B	803	AT219482	13	53	AT342512	90	619
AH234855	2	801	AT219483	13	51	AT342512	90	621
AH234855	2	803	AT219483	13	53	AT342512	90	623
AH234856	2	807	AT219484	13	51	AT342512	90	625
AH79175	40	303	AT219484	13	53	AT342513	90	611
AH79175	12	607	AT254807	3	191	AT342513	90	613
AH89069	10	755	AT254807	3	93	AT342513	91	615
AH89069	10	757	AT254812	27	143	AT342513	91	617
AHC17860	2	807	AT254812	27	239	AT342513	91	619
AN209168	26	487	AT254825	3	115	AT342513	91	621
AN209168	37	755	AT254825	18	189	AT342513	91	623
AN209168	37	757	AT254825	3	213	AT342513	91	625
AR94101	6	713	AT254825	18	91	AT342742	15	683
AT114835	24	807	AT259927	11	143	AT343206	12	639
AT117364	28	787	AT259927	25	195	AT343206	27	641
AT117364	28	789	AT259927	11	239	AT343210	13	639
AT117365	29	787	AT259927	25	97	AT343213	1	639
AT117365	29	789	AT264320	10	807	AT343218	1	637
AT120498	29	787	AT264339	3	827	AT343218	0	639
AT120498	29	789	AT264347	33	825	AT343230	0	637
AT120499	28	787	AT264348	28	801	AT343349	8	637
AT120499	28	789	AT264348	28	803	AT343356	9	637
AT127347	29	807	AT264348	30	805	AT343362	28	641
AT131445	3	713	AT264354	16	585	AT343363	10	637
AT132690	5	807	AT264354	16	589	AT343367	11	637
AT135758	0C	325	AT264418	3	817	AT343367	19	643
AT135758	0C	327	AT280662	3	283	AT343400	12	637
AT135758	5C	331	AT280663	2	283	AT343401	13	637
AT145651	7	279	AT301151	23	787	AT343406	14	637
AT145651	8	279	AT301151	23	789	AT343410	15	637
AT152406	79	571	AT305641	23	787	AT343412	16	637
AT153904	7	687	AT305641	23	789	AT343413	17	637
AT154162	4	817	AT306723	7	711	AT343415	18	637
AT160584	30	569	AT309596	18	781	AT343967	8	679
AT170459	28	659	AT317252	4	671	AT343990	90	679
AT170459	1	661	AT317252	6	673	AT344819	40	637
AT180006	6	41	AT317252	6	831	AT344820	40	637
AT180007	7	43	AT318016	23	787	AT344821	40	637
AT180008	4	41	AT318016	23	789	AT349466	28	671
AT180011	4	43	AT318021	16	781	AT349466	16	831
AT180012	6	43	AT318023	23	799	AT35121	29	659
AT180013	1B	43	AT318035	24	671	AT35121	34	661
AT180017	6	47	AT318035	20	673	AT35121	9	711

Numerical Index - Continued

Part No.	Key	Page	Part No.	Key	Page	Part No.	Key	Page
AT35121	7	713	AT417642	17	459	AT499648	3	837
AT361191	0B	389	AT417643	21	453	AT499649	16	855
AT36921	44	659	AT417643	27	459	AT499652	6	847
AT36921	10	711	AT420919	1	799	AT499653	5	845
AT36921	8	713	AT422766	20	601	AT500651	2	843
AT374900	4	603	AT43291	3	291	AT501053	1	465
AT377294	1	603	AT444699	0	43	AT501053	0	467
AT377374	7	601	AT445467	90	713	AT501054	1	467
AT377374	1	607	AT445803	0	597	AT501055	2	467
AT379648	0	681	AT446155	90	711	AT501056	3	467
AT379649	0	681	AT449336	1	643	AT501057	5	467
AT379650	0	683	AT449337	18	637	AT501058	4	467
AT379651	0	683	AT449337	25	643	AT501059	7	467
AT383236	17	681	AT450665	13	49	AT501060	8	467
AT383236	29	683	AT451620	0	617	AT501061	9	467
AT383236	0	809	AT451621	0	619	AT501062	11	467
AT383237	17	681	AT451622	0	621	AT501063	12	467
AT383237	29	683	AT451624	0	623	AT501064	21	467
AT383237	20	809	AT451625	0	625	AT501065	22	467
AT383426	16	681	AT451626	0	627	AT501066	23	467
AT383426	26	683	AT452759	9	679	AT501067	24	467
AT383862	3	683	AT452759	9	791	AT501068	25	467
AT383883	5	683	AT452759	6	793	AT501069	26	467
AT383885	24	683	AT454299	5	627	AT501070	27	467
AT383886	25	683	AT457430	6	711	AT501071	10	467
AT387237	2	681	AT458646	0	717	AT501072	13	467
AT387237	2	683	AT458826	1	843	AT501073	14	467
AT387779	90	563	AT470333	1	335	AT501074	15	467
AT389295	40	681	AT470333	1	339	AT501075	16	467
AT389295	40	683	AT470333	1	343	AT501076	17	467
AT390721	40	445	AT470333	1	347	AT501077	18	467
AT390724	90	663	AT472979	18	637	AT501078	19	467
AT390724	30	665	AT480367	3	339	AT501079	20	467
AT390760	80	715	AT480367	3	341	AT501381	8	849
AT390760	93	789	AT480367	3	347	AT502667	14	855
AT390760	93	791	AT480367	3	349	AT509005	19	641
AT390760	95	795	AT481488	2	343	AT509150	5	641
AT390761	80	715	AT481488	2	345	AT509606	17	643
AT390761	93	787	AT482231	3	335	AT509610	16	643
AT390761	95	795	AT482231	3	337	AT509612	15	643
AT390776	50	659	AT486359	40	855	AT516815	21	643
AT390802	10	443	AT486360	1	841	AT56658	5	721
AT390823	10	439	AT486362	41	855	AT66866	9	813
AT390824	20	439	AT487307	5	845	AT68901	9	713
AT393163	0	701	AT487308	6	847	AT71082	24	659
AT393244	1	549	AT487661	1	845	AT71082	12	711
AT396184	20	601	AT487661	1	847	AT71082	10	713
AT396663	50	327	AT487661	1	849	AT71732	13	711
AT396663	0	329	AT487662	2	841	AT71732	11	713
AT396663	0	331	AT487666	1	851	AT78124	14	711
AT397446	11	711	AT487669	4	851	AT78124	12	713
AT399832	6	601	AT487669	10	855	AT82210	15	711
AT404819	13	465	AT490114	11	855	BYT11005	90	447
AT404819	28	467	AT491937	12	855	BYT11141	50	441
AT405089	12	445	AT495019	4	845	BYT11628	30	641
AT405091	13	445	AT495021	2	837	BYT11629	0	643
AT405092	14	445	AT495022	1	835	CE17748L3	22	611
AT405093	15	445	AT495029	1	837	CE17748L3	21	613
AT405094	16	445	AT495030	14	855	CE17748L3	21	615
AT405095	17	445	AT495031	5	847	CE17748L3	21	617
AT405097	18	445	AT495032	2	851	CE17748L3	21	619
AT405098	19	445	AT495033	15	855	CE17748L3	22	621
AT405099	20	445	AT495034	3	839	CE17748L3	21	623
AT405100	21	445	AT495039	3	837	CE17748L3	21	625
AT405101	22	445	AT495045	16	855	CE17748R3	21	611
AT413732	90	603	AT495357	42	855	CE17748R3	22	613
AT417627	9	453	AT495707	15	465	CE17748R3	22	615
AT417627	11	459	AT495707	30	467	CE17748R3	22	617
AT417629	12	453	AT497158	14	465	CE17748R3	22	619
AT417629	14	459	AT497158	29	467	CE17748R3	21	621
AT417632	14	453	AT497535	1	551	CE17748R3	22	623
AT417632	16	459	AT497535	0	553	CE17748R3	22	625
AT417633	19	453	AT497535	55	561	CH10567	20B	697
AT417633	20	459	AT499466	1	839	CH10569	12	709
AT417634	16	453	AT499637	4	845	CH10570	11	699
AT417635	18	453	AT499638	2	837	CH10571	58A	585
AT417636	22	453	AT499639	1	835	CH10571	58A	589
AT417636	28	459	AT499641	1	837	CH11436	15	719
AT417638	22	459	AT499642	14	855	CH11560	54	571
AT417639	22	459	AT499643	5	847	CH11560	9	573
AT417640	20	453	AT499644	2	851	CH11560	36	575
AT417640	26	459	AT499645	15	855	CH11560	58H	585
AT417641	25	459	AT499646	3	839	CH11560	58H	589

Numerical Index - Continued

Part No.	Key	Page	Part No.	Key	Page	Part No.	Key	Page
CH11560	16	687	DH400240	6	837	DH400703	13	845
CH11560	18A	697	DH400240	14	839	DH400703	18	847
CH11560	20A	697	DH400240	10	843	DH400703	7	849
CH11560	10	719	DH400240	16	847	DH400703	10	851
CH11561	41	653	DH400240	7	851	DH400703	33	855
CH11561	14	667	DH400240	24	855	DH400704	10	293
CH11568	0	479	DH400360	3	387	DH400704	52	295
CH11568	2	493	DH400366	8	45	DH400704	2	325
CH11568	3	493	DH400410	13	321	DH400704	3	59
CH11568	7B	495	DH400410	13	323	DH400704	21	701
CH11570	80	585	DH400660	57	561	DH400704	12	703
CH11570	80	587	DH400703	18	279	DH400704	11	705
CH11570	80	589	DH400703	22	281	DH400704	14	723
CH11570	96	589	DH400703	4	287	DH400704	32	729
CH11570	80	591	DH400703	3	289	DH400704	11	733
CH11570	24A	691	DH400703	5	291	DH400704	12	735
CH11570	37A	691	DH400703	48	293	DH400704	11	779
CH11570	38A	691	DH400703	50	295	DH400704	19	781
CH11570	39A	691	DH400703	52	312	DH400704	52	783
CH11570	40A	691	DH400703	6	315	DH400704	51	785
CH11570	24A	693	DH400703	26	321	DH400704	14	791
CH11570	25A	693	DH400703	24	323	DH400704	33	795
CH11570	26A	693	DH400703	8	325	DH400704	1	815
CH11570	39A	693	DH400703	8	335	DH400704	13	817
CH11570	13	713	DH400703	8	337	DH400704	19	847
CH11570	11	725	DH400703	10	339	DH400704	34	855
CH11570	6	725	DH400703	10	341	DH401069	43	783
CH11570	8	725	DH400703	6	343	DH401069	42	785
CH11570	9	725	DH400703	4	347	DH401248	4	721
CH11570	11	727	DH400703	31	351	DH800081H	4	795
CH11570	6	727	DH400703	32	353	DH800082H	5	795
CH11570	8	727	DH400703	4	355	DH900845	15	53
CH11570	9	727	DH400703	8	375	E5855U35	2	611
CH12329	10	69	DH400703	22	383	E5855U35	2	613
CH12329	23	825	DH400703	23	385	E5855U35	1	615
CH16109	8	817	DH400703	8	387	E5855U35	1	617
CH17886	17	585	DH400703	22	447	E5855U35	1	619
CH17886	7	587	DH400703	23	485	E5855U35	1	621
CH17886	17	589	DH400703	24	487	E5855U35	1	623
CH17886	17	591	DH400703	7	499	E5855U35	1	625
CH17951	35	571	DH400703	20	505	E64256	3	293
CH19111	43	653	DH400703	20	507	E64256	3	295
DH100029	11	47	DH400703	6	509	E90991	13	799
DH100029	11	49	DH400703	5	511	E90991	30	799
DH400030	2	505	DH400703	4	513	E90991	36	799
DH400030	2	507	DH400703	4	515	E90991	37	799
DH400030	16	523	DH400703	24	521	E90991	38	799
DH400030	3	525	DH400703	53	529	ETN93549	90	565
DH400240	44	312	DH400703	15	531	EU35S	1	611
DH400240	15	335	DH400703	33	533	EU35S	1	613
DH400240	10	337	DH400703	5	539	EU35S	2	615
DH400240	13	339	DH400703	4	541	EU35S	2	617
DH400240	13	341	DH400703	4	543	EU35S	2	619
DH400240	22	351	DH400703	7	549	EU35S	2	621
DH400240	23	353	DH400703	8	557	EU35S	2	623
DH400240	2	355	DH400703	53	561	EU35S	2	625
DH400240	10	457	DH400703	20	595	FF100290	25	711
DH400240	19	465	DH400703	4	601	FF100378	2	551
DH400240	34	467	DH400703	7	607	FF100431	37	717
DH400240	11	485	DH400703	10	665	FF100596	2	321
DH400240	11	487	DH400703	22	701	FF100597	16	321
DH400240	5	499	DH400703	17	703	FF100598	3	321
DH400240	7	557	DH400703	18	705	FF100598	3	323
DH400240	9	565	DH400703	7	707	FF101011	0	41
DH400240	6	597	DH400703	21	711	FF101012	0	43
DH400240	3	601	DH400703	15	713	FF104174	11	321
DH400240	6	607	DH400703	14	717	FF104174	11	323
DH400240	9	657	DH400703	11	735	FF106009	52	673
DH400240	10	701	DH400703	38	741	FF106009	52	831
DH400240	11	703	DH400703	13	747	FF107418	42	783
DH400240	17	705	DH400703	22	751	FF107418	41	785
DH400240	6	707	DH400703	23	753	FF108183	16	601
DH400240	14	713	DH400703	35	755	FF108265	21	505
DH400240	13	717	DH400703	35	757	FF108265	21	507
DH400240	14	725	DH400703	51	783	FF110001	28	383
DH400240	14	727	DH400703	50	785	FF110001	29	385
DH400240	11	747	DH400703	15	791	FF110001	30	669
DH400240	13	749	DH400703	12	793	FF110001	21	833
DH400240	29	755	DH400703	17	799	FF110002	30	383
DH400240	29	757	DH400703	5	811	FF110002	31	385
DH400240	41	783	DH400703	9	835	FF110002	36	669
DH400240	40	785	DH400703	8	837	FF110002	22	833
DH400240	5	835	DH400703	12	841	FF110003	26	383

Numerical Index - Continued

Part No.	Key	Page	Part No.	Key	Page	Part No.	Key	Page
FF110003	27	385	FF531079	3	729	FF550754	5	855
FF110003	31	669	FF531081	2	729	FF550756	2	855
FF110003	21	673	FF531098	1	729	FF550761	7	855
FF110003	21	831	FF531207	1	387	FF550763	3	855
FF110003	24	833	FF531287	0	595	FF550823	2	347
FF110004	24	383	FF531342	10	721	FF550958	14	537
FF110004	25	385	FF531351	6	529	FF550970	1	273
FF110004	32	669	FF531373	45	529	FF550975	11	537
FF110004	22	673	FF531378	19	533	FF551010	4	855
FF110004	22	831	FF531379	29	293	FF551012	8	855
FF110004	25	833	FF531379	27	295	FF551045	2	845
FF110005	24	673	FF531390	2	731	FF551167	22	661
FF110005	24	831	FF531391	1	731	FF551170	25	661
FF110006	23	673	FF531412	1	309	FF551171	26	661
FF110006	23	831	FF531431	9	321	FF551173	28	661
FF110010	35	669	FF531431	9	323	FF551174	29	661
FF110010	23	833	FF531432	10	321	FF551176	31	661
FF110021	26	673	FF531432	10	323	FF551189	6	855
FF110021	26	831	FF531442	2	735	FF551192	17	855
FF110022	25	673	FF531448	3	735	FF551230	OJ	831
FF110022	25	831	FF531454	9	509	FF551245	1	791
FF110023	37	669	FF531454	7	511	FF551249	43	561
FF110023	26	833	FF531583	1	513	FF551251	19	855
FF110026	29	383	FF531584	2	513	FF551255	6	467
FF110026	30	385	FF531684	56	561	FF551256	2	465
FF110026	29	669	FF531712	33	529	FF551256	6	467
FF110026	27	833	FF532054	9	505	FF551279	3	845
FF206971	16	449	FF532054	9	507	FF551290	16	753
FF214174	17	449	FF532191	2	477	FF551314	15	323
FF500008	53	312	FF532195	63	561	FF551322	2	287
FF500009	35	311	FF532268	6	729	FF551325	1	511
FF500010	15	293	FF532274	44	783	FF551396	3	841
FF500022	4	291	FF532274	43	785	FF551448	0	447
FF500061	16	279	FF532349	51	529	FF551449	1	447
FF500103	1	321	FF532362	49	529	FF551450	2	447
FF500103	1	323	FF532460	5	717	FF551451	3	447
FF500924	27	783	FF532461	6	717	FF551452	4	447
FF500924	26	785	FF532472	18	717	FF551453	5	447
FF501968	2	701	FF532473	19	717	FF551459	6	447
FF502744	9	557	FF532615	3	477	FF551460	7	447
FF507969	15	53	FF532757	1	535	FF551461	8	447
FF508144	1	523	FF532863	9	535	FF551462	9	447
FF508144	1	525	FF533056	47	529	FF551463	10	447
FF508205	1	505	FF533058	48	529	FF551464	11	447
FF508205	1	507	FF533059	29	529	FF551465	12	447
FF508205P	1	505	FF533062	46	529	FF551469	13	447
FF508205P	1	507	FF533945	2	523	FF551595	2	835
FF509455	1	321	FF533945	10	525	FF551604	14	447
FF509584	5	387	FF534022	2	523	FF551605	15	447
FF509795	13	601	FF534035	1	519	FF551606	16	447
FF509835	2	549	FF534066	2	519	FF551607	17	447
FF510126	23	701	FF535306	4	535	FF551608	18	447
FF510126	16	703	FF535337	0F	671	FF551640	8	839
FF510126	16	705	FF535337	0G	673	FF551648	12	507
FF510725	1	755	FF535337	0G	831	FF551650	10	507
FF510725	1	757	FF535549	8	679	FF551838	2	339
FF510748	1	735	FF535549	1	791	FF551838	2	341
FF510790	21	521	FF535572	6	519	FF551877	2	335
FF510791	37	533	FF550024	88	317	FF551877	2	337
FF510793	20	521	FF550043H	10	677	FF551919	5	851
FF510793	38	533	FF550270	1	537	FF551940	3	851
FF510794	22	521	FF550271	2	537	FF552032	9	855
FF510794	39	533	FF550274	3	537	FF552059	2	323
FF510841	13	523	FF550280	12	537	FF552270	3	847
FF510944	5	549	FF550282	13	537	FF552272	3	849
FF510981	5	321	FF550284	15	537	FF552295	39	757
FF510981	5	323	FF550285	16	537	FF552329	16	465
FF511049	1	545	FF550470	7	841	FF552329	31	467
FF511284	1	419	FF550515	2	849	FF552533	20	465
FF511883	4	539	FF550525	1	829	FF552533	35	467
FF512469	1	545	FF550537	2	847	FF552621	28	447
FF512469P	1	545	FF550563	9	833	FF552753	43	312
FF512478	22	507	FF550595	4	537	FF552806	9	837
FF512478	15	601	FF550596	5	537	FF554189	5	793
FF512574	13	601	FF550597	6	537	FF554193	54	673
FF512574	10	607	FF550598	17	537	FF554193	54	831
FF528862	5	387	FF550636	1	59	FF554442	2	793
FF530582	2	543	FF550667	1	515	FF554506	1	793
FF530589	1	543	FF550704	4	51	FF557011	1	337
FF530878	1	579	FF550704	4	53	FF557011	1	341
FF530991	1	533	FF550745	10	51	FF557011	1	345
FF531014	7	533	FF550746	10	53	FF557011	1	349
FF531037	20	533	FF550751	1	855	FF850211	12	833

Numerical Index - Continued

Part No.	Key	Page	Part No.	Key	Page	Part No.	Key	Page
FXB00000883	3	397	FXB00000981	2	393	FXB00008503	6	587
FXB00000884	4	397	FXB00000982	3	393	FXB00008503	6	589
FXB00000885	6	397	FXB00000983	4	393	FXB00008503	6	591
FXB00000886	7	397	FXB00000984	9	393	FXB00008504	14	583
FXB00000888	18	397	FXB00000985	11	393	FXB00008504	14	587
FXB00000889	19	397	FXB00000986	13	393	FXB00008505	26	589
FXB00000890	22	397	FXB00000987	14	393	FXB00008507	93	587
FXB00000891	24	397	FXB00000988	15	393	FXB00009490	40	299
FXB00000892	26	397	FXB00000989	16	393	FXB00009490	7	301
FXB00000893	27	397	FXB00000990	18	393	FXB00009491	39	299
FXB00000894	28	397	FXB00000991	19	393	FXB00009491	8	301
FXB00000895	29	397	FXB00000992	21	393	FXB00009492	35	299
FXB00000896	32	397	FXB00000993	22	393	FXB00009492	9	301
FXB00000897	33	397	FXB00000994	23	393	FXB00009493	36	299
FXB00000899	4	405	FXB00000995	26	393	FXB00009493	10	301
FXB00000900	5	405	FXB00000996	27	393	FXB00009494	45	299
FXB00000901	1B	405	FXB00000997	28	393	FXB00009494	11	301
FXB00000902	17	405	FXB00000998	29	393	FXB00009495	43	299
FXB00000905	4	399	FXB00000999	30	393	FXB00009495	12	301
FXB00000906	5	399	FXB00001000	32	393	FXB00009496	31	299
FXB00000907	16	399	FXB00001001	33	393	FXB00009496	13	301
FXB00000908	19	399	FXB00001002	50	435	FXB00009497	33	299
FXB00000909	21	399	FXB00001031	2	493	FXB00009497	14	301
FXB00000910	23	399	FXB00001032	3	493	FXB00009498	34	299
FXB00000911	24	399	FXB00001033	4	493	FXB00009498	15	301
FXB00000912	25	399	FXB00001034	5	493	FXB00009499	38	299
FXB00000913	26	399	FXB00001035	6	493	FXB00009499	16	301
FXB00000914	27	399	FXB00001036	7	493	FXB00009500	43	299
FXB00000915	30	399	FXB00001037	8	493	FXB00009500	17	301
FXB00000916	32	399	FXB00001038	9	493	FXB00009501	32	299
FXB00000917	3	401	FXB00001039	1	491	FXB00009501	18	301
FXB00000918	5	401	FXB00001040	2	491	FXB00009502	37	299
FXB00000919	6	401	FXB00001041	3	491	FXB00009502	19	301
FXB00000920	8	401	FXB00001042	1	481	FXB00009530	10	275
FXB00000921	11	401	FXB00001043	2	481	FXB00009531	11	275
FXB00000922	12	401	FXB00001044	3	481	FXB00009532	12	275
FXB00000923	31	393	FXB00001045	4	481	FXB00009533	13	275
FXB00000923	18	401	FXB00001046	5	481	FXB00009534	14	275
FXB00000926	1A	407	FXB00001047	6	481	FXB00009535	15	275
FXB00000927	1C	407	FXB00001048	7	481	FXB00009536	16	275
FXB00000928	1D	407	FXB00001049	8	481	FXB00009537	17	275
FXB00000929	1E	407	FXB00001050	9	481	FXB00009538	18	275
FXB00000930	2	407	FXB00001051	10	481	FXB00009559	11	275
FXB00000931	3	407	FXB00001052	11	481	FXB00010759	44	299
FXB00000932	4	407	FXB00001053	12	481	FXB00010759	20	301
FXB00000933	5	407	FXB00001054	13	481	FXB00010760	41	299
FXB00000934	7	407	FXB00001055	14	481	FXB00010760	5	301
FXB00000935	8	407	FXB00001056	15	481	FXB00010761	42	299
FXB00000936	9	407	FXB00001057	16	481	FXB00010761	6	301
FXB00000938	11	407	FXB00001058	17	481	FXB00010776	10	275
FXB00000939	12	407	FXB00001059	18	481	FXB00010779	12	275
FXB00000940	14	407	FXB00001060	19	481	FXB00010780	13	275
FXB00000941	15	407	FXB00001061	20	481	FXB00010781	14	275
FXB00000942	33	407	FXB00001062	21	481	FXB00010782	15	275
FXB00000943	38	407	FXB00001063	22	481	FXB00010783	16	275
FXB00000947	3	403	FXB00001064	23	481	FXB00010784	17	275
FXB00000948	4	403	FXB00001065	25	481	FXB00010785	18	275
FXB00000949	5	403	FXB00001068	29	481	FXB00011064	10	441
FXB00000950	6	403	FXB00001069	30	481	FXB00011065	14	441
FXB00000951	7	403	FXB00001070	31	481	FXB00011870	35	299
FXB00000954	34	403	FXB00001071	32	481	FXB00011870	9	301
FXB00000956	33	403	FXB00001072	33	481	FXB00013538	22	825
FXB00000957	30	403	FXB00001073	34	481	FXB00013903	1	393
FXB00000958	42	403	FXB00001076	37	481	FXB00013903	1A	393
FXB00000959	44	403	FXB00001077	38	481	FXB00013903	1B	393
FXB00000960	47	403	FXB00001078	39	481	FXB00013903	1K	393
FXB00000961	9	403	FXB00001079	40	481	FXB00018343	4	481
FXB00000962	10	403	FXB00001131	5	825	FXV00000213	34	529
FXB00000963	11	403	FXB00001138	31	825	FXV00000215	34	383
FXB00000964	12	403	FXB00001139	37	825	FXV00000215	35	385
FXB00000965	16	403	FXB00001140	38	825	FXV00000221	33	383
FXB00000966	19	403	FXB00001141	44	825	FXV00000221	34	385
FXB00000967	1	395	FXB00001143	46	825	FXV00000229	32	383
FXB00000968	1A	395	FXB00001449	59	587	FXV00000229	33	385
FXB00000970	2	395	FXB00001935	6	275	FXV00000244	31	383
FXB00000971	3	395	FXB00001939	7	275	FXV00000244	32	385
FXB00000972	6	395	FXB00001941	8	275	FXV00000287	1	539
FXB00000973	7	395	FXB00001952	9	275	FXV00000625	14	281
FXB00000975	1	393	FXB00002565	34	397	FXV00000762	25	533
FXB00000976	1A	393	FXB00002590	25	399	FXV00000789	6	281
FXB00000977	1B	393	FXB00002591	26	399	FXV00000815	6	521
FXB00000979	1F	393	FXB000005198	19	407	FXV00000848	3	521
FXB00000980	1H	393	FXB00008503	6	585	FXV00000849	5	521

Numerical Index - Continued

Part No.	Key	Page	Part No.	Key	Page	Part No.	Key	Page
FXV00000862	10	531	FYA00001501	1J	393	FYA00008916	8	453
FXV00000863	9	531	FYA00001642	19	275	FYA00008916	10	459
FXV00000864	8	531	FYA00001668	27	107	FYA00008917	9	453
FXV00000865	11	531	FYA00001668	27	205	FYA00008917	11	459
FXV00000879	10	535	FYA00001701	14	561	FYA00008924	2	453
FXV00000879	7	537	FYA00001705	42	293	FYA00008925	3	453
FXV00000881	11	535	FYA00001705	40	295	FYA00008925	3	459
FXV00000881	8	537	FYA00001706	41	293	FYA00008927	12	453
FXV00000883	24	527	FYA00001706	39	295	FYA00008927	14	459
FXV00000886	21	527	FYA00001991	1	355	FYA00008928	14	453
FXV00000888	25	527	FYA00002134	25	425	FYA00008929	19	453
FXV00000889	23	527	FYA00002304	51	481	FYA00008929	20	459
FXV00000891	27	527	FYA00002305	52	481	FYA00008930	20	453
FXV00000905	14	527	FYA00002392	0	455	FYA00008931	21	453
FXV00000906	31	527	FYA00002392	1	457	FYA00008931	27	459
FXV00000925	13	535	FYA00002392	1	459	FYA00008932	22	453
FXV00000925	9	537	FYA00002448	6	299	FYA00008932	28	459
FXV00000930	20	529	FYA00002481	2	649	FYA00008933	2	459
FXV00000978	6	303	FYA00002482	6	649	FYA00008934	16	459
FXV00000999	32	527	FYA00002700	24	717	FYA00008935	21	459
FXV00001003	14	529	FYA00002710	25	717	FYA00008936	22	459
FXV00001007	25	303	FYA00002788	5	777	FYA00008937	26	459
FXV00001007	5	303	FYA00003014	1	429	FYA00008943	8	505
FXV00001030	13	529	FYA00003014	10	431	FYA00008943	8	507
FXV00001030	12	535	FYA00003030	32	717	FYA00008944	7	505
FXV00001030	10	537	FYA00003354	2	717	FYA00008944	7	507
FXV00001092	18	525	FYA00003369	33	359	FYA00009151	0	439
FXV00001104	38	527	FYA00003621	0A	553	FYA00009152	1	439
FXV00001122	2	509	FYA00003622	0B	553	FYA00009153	2	443
FXV00001151	16	529	FYA00003622	0C	553	FYA00009154	1	443
FXV00001152	15	529	FYA00003623	0C	553	FYA00009341	5	155
FXV00001184	12	311	FYA00003626	2	397	FYA00009341	16	293
FXV00001218	11	311	FYA00003944	34	359	FYA00009341	15	295
FXV00001218	8	311	FYA00003993	45	319	FYA00009418	2	517
FXV00001218	9	311	FYA00004010	46	319	FYA00009418	5	517
FXV00001254	12	729	FYA00004570	5	559	FYA00009435	9	169
FXV00001477	32	561	FYA00004580	1	717	FYA00009435	39	293
FXV00001493	31	561	FYA00004654	3	277	FYA00009435	37	295
FXV00001587	35	303	FYA00004655	4	277	FYA00009436	10	169
FXV00001599	7	281	FYA00004728	17	281	FYA00009436	40	293
FXV00001646	2	527	FYA00005147	1	403	FYA00009436	38	295
FXV00001696	15	311	FYA00005148	18	403	FYA00009482	8	283
FXV00001697	8	311	FYA00005150	21	403	FYA00009655	2	391
FXV00002074	10	533	FYA00005153	23	397	FYA00010024	7	309
FXV00002106	36	533	FYA00005154	4	521	FYA00010377	25	407
FXV00002139	30	561	FYA00005155	17	401	FYA00010681	8	509
FXV00002166	22	299	FYA00005165	11	505	FYA00011063	7	275
FYA00000078	19	561	FYA00005372	10	311	FYA00011313	77	589
FYA00000078	3	561	FYA00005470	2	853	FYA00011515	15	279
FYA00000236	1	407	FYA00005619	11	563	FYA00011574	13	427
FYA00000261	18	759	FYA00005785	3A	311	FYA00011606	2	449
FYA00000261	17	761	FYA00005845	6	321	FYA00011606	1	455
FYA00000261	30	763	FYA00005845	6	323	FYA00011632	0	359
FYA00000261	16	765	FYA00005846	33	561	FYA00012696	1	367
FYA00000262	19	759	FYA00006821	9	351	FYA00013743	0	377
FYA00000262	18	761	FYA00006821	10	353	FYA00013900	3K	311
FYA00000262	31	763	FYA00007116	3	485	FYA00014196	5	375
FYA00000262	17	765	FYA00007116	3	487	FYA00015117	16	303
FYA00000663	3	363	FYA00007354	60	359	FYA00015298	16	311
FYA00000683	37	293	FYA00007726	3	479	FYA00015299	14	311
FYA00000686	17	293	FYA00007824	16	305	FYA00015424	44	293
FYA00000690	19	149	FYA00007825	17	305	FYA00015424	42	295
FYA00000690	19	245	FYA00007837	11	293	FYA00015952	2	351
FYA00000703	1	581	FYA00007837	10	295	FYA00015952	3	353
FYA00000703	0	583	FYA00007846	14	563	FYA00016095	0	381
FYA00000703	0	585	FYA00008476	3	565	FYA00016270	0	381
FYA00000703	0	587	FYA00008477	8	565	FYA00016720	4	531
FYA00000703	0	589	FYA00008585	13	523	FYA00017239	11	311
FYA00000703	0	591	FYA00008585	8	525	FYA00017595	1	303
FYA00001076	0	365	FYA00008586	12	505	FYA00017596	43	293
FYA00001346	0G	359	FYA00008587	12	523	FYA00017596	41	295
FYA00001346	60	359	FYA00008587	7	525	FYA00017597	10	303
FYA00001490	24	481	FYA00008588	14	523	FYA00019345	64	319
FYA00001490R	24	481	FYA00008588	9	525	FYA00019431	6	841
FYA00001493	1	391	FYA00008594	0B	565	FYA00020480	9	275
FYA00001493	40	393	FYA00008595	0A	565	FYA00020516	13	523
FYA00001493	1	405	FYA00008596	1	565	FYA00020516	8	525
FYA00001495	1B	407	FYA00008615	0	443	FYA00020822	13	311
FYA00001496	8	405	FYA00008686	59	317	FYA00020822	7	311
FYA00001497	9	405	FYA00008687	41	319	FYA00023169	3	311
FYA00001498	10	405	FYA00008897	2	479	FYA00023273	19	303
FYA00001499	1A	405	FYA00008915	5	453	FYA00023994	9	311
FYA00001500	1K	393	FYA00008915	5	459	FYA00024342	1	357

Numerical Index - Continued

Part No.	Key	Page	Part No.	Key	Page	Part No.	Key	Page
FYA00024575	9	533	FYA00034035	48	303	FYA00039312	4	299
FYA00024575	6	753	FYA00034119	52	303	FYA00039723	0	443
FYA00024697	1	311	FYA00034167	21	303	FYA00039727	4	443
FYA00024701	1C	311	FYA00034169	18	303	FYA00039938	0S	443
FYA00024756	4	427	FYA00034197	4	729	FYA00039987	0	441
FYA00024757	5	427	FYA00034414	28	317	FYA00039988	2	441
FYA00025058	2	521	FYA00034464	7	495	FYA00039993	3	441
FYA00025174	1	645	FYA00034464	2	497	FYA00040003	5	441
FYA00025370	14	303	FYA00034465	2	293	FYA00040010	7	441
FYA00025485	23	299	FYA00034550	31	717	FYA00040032	11	441
FYA00025923	2	311	FYA00034763	42	303	FYA00040039	13	441
FYA00026486	4B	595	FYA00034764	43	303	FYA00040040	16	441
FYA00026701	13	299	FYA00034765	30	293	FYA00040041	1A	441
FYA00026746	1	305	FYA00034766	2	169	FYA00040138	21	151
FYA00026804	24C	359	FYA00034766	31	293	FYA00040173	2	297
FYA00026806	24A	359	FYA00034767	32	293	FYA00040175	3	297
FYA00026807	24D	359	FYA00034768	33	293	FYA00040176	1	297
FYA00027234	1	293	FYA00034769	5	169	FYA00040177	6	297
FYA00027433	8	309	FYA00034769	34	293	FYA00040733	84	317
FYA00027583	21	403	FYA00034770	35	293	FYA00040733	84	319
FYA00027984	2	351	FYA00034771	36	293	FYA00040829	1	853
FYA00028045	5	485	FYA00034771	34	295	FYA00040917	17	523
FYA00028045	5	487	FYA00034772	38	293	FYA00041204	8	825
FYA00028084	39	303	FYA00034808	4	527	FYA00041288	2	293
FYA00028462	1	375	FYA00035005	18	305	FYA00041288	2	295
FYA00028484	15	303	FYA00035007	3	305	FYA00041880	1	495
FYA00028489	1	79	FYA00035094	2	531	FYA00042105	53	359
FYA00028559	25	317	FYA00035095	3	527	FYA00042107	54	359
FYA00028816	9	383	FYA00035098	17	527	FYA00042254	0	479
FYA00028816	10	385	FYA00035115	19	527	FYA00042254	50	481
FYA00029007	21	311	FYA00035213	1	497	FYA00042370	51	481
FYA00029403	6	321	FYA00035284	28	527	FYA00042386	83	317
FYA00029403	6	323	FYA00035289	2	521	FYA00042390	49	317
FYA00029626	32	311	FYA00035602	22	527	FYA00042760	3	45
FYA00029627	26	311	FYA00035603	29	527	FYA00042777	1	407
FYA00029660	14	383	FYA00035605	33	527	FYA00043132	1	351
FYA00029660	15	385	FYA00035957	17	299	FYA00043256	3	299
FYA00029805	7	521	FYA00035958	18	299	FYA00044233	2	397
FYA00029903	9	729	FYA00035959	19	299	FYA00044351	1	311
FYA00029949	1	287	FYA00035960	20	299	FYA00044508	4	407
FYA00029964	1	351	FYA00035961	21	299	FYA00044508	9	407
FYA00030345	4	281	FYA00035981	31	303	FYA00044509	4	407
FYA00030385	40	527	FYA00035982	32	303	FYA00044509	9	407
FYA00030402	48	295	FYA00036007	24	303	FYA00044660	64	319
FYA00030596	3	509	FYA00036008	26	303	FYA00045146	42	317
FYA00030596	2	511	FYA00036011	1	281	FYA00045147	42	317
FYA00030682	28	311	FYA00036014	8	729	FYA00045626	42	481
FYA00030683	27	311	FYA00036143	23	317	FYA00045836	1	369
FYA00030883	0	425	FYA00036143	23	319	FYA00045982	2	451
FYA00030884	2	425	FYA00036144	62	317	FYA00045982	2	457
FYA00030886	1	425	FYA00036409	50	303	FYA00045982	3	465
FYA00030888	15	425	FYA00036445	5	299	FYA00046227	30	321
FYA00030889	7	425	FYA00036490	8	281	FYA00046227	25	323
FYA00030889	9	853	FYA00036491	20	281	FYA00046487	40	299
FYA00030890	10	425	FYA00036492	15	281	FYA00046487	7	301
FYA00030892	9	425	FYA00036493	19	281	FYA00046490	39	299
FYA00030893	8	425	FYA00037446	1A	311	FYA00046490	8	301
FYA00030895	18	425	FYA00037447	1B	311	FYA00046491	14	301
FYA00030897	25	655	FYA00037448	1D	311	FYA00046492	38	299
FYA00030898	26	655	FYA00037449	1E	311	FYA00046492	16	301
FYA00030979	4	375	FYA00037704	2	391	FYA00046493	44	299
FYA00031006	3	475	FYA00037704	90	397	FYA00046493	20	301
FYA00031089	11	317	FYA00037704	90	399	FYA00046807	11	401
FYA00031156	1	283	FYA00037820	51	293	FYA00046808	29	393
FYA00031214	27	561	FYA00037820	45	295	FYA00046861	0	377
FYA00031215	23	561	FYA00037821	31	295	FYA00046902	32	295
FYA00031215	7	561	FYA00037945	20	311	FYA00046902	3	297
FYA00031223	1	291	FYA00037964	27	303	FYA00046903	29	295
FYA00031272	17	303	FYA00037965	33	303	FYA00046903	2	297
FYA00031275	41	303	FYA00038207	13	531	FYA00046904	35	293
FYA00031276	38	303	FYA00038415	41	527	FYA00046904	33	295
FYA00031301	46	303	FYA00038579	3H	311	FYA00046905	28	295
FYA00031494	1	351	FYA00038580	3G	311	FYA00046905	1	297
FYA00031494	2	353	FYA00038581	3F	311	FYA00046906	32	293
FYA00031884	6	339	FYA00038582	3E	311	FYA00046906	30	295
FYA00031884	6	341	FYA00038582	3E	311	FYA00046929	1	177
FYA00032491	26	561	FYA00038645	50	317	FYA00046935	31	259
FYA00032504	28	299	FYA00038645	9	521	FYA00046935	31	261
FYA00032683	12	483	FYA00038659	88	317	FYA00046935	31	265
FYA00033064	4B	595	FYA00038667	82	317	FYA00046935	1	295
FYA00033065	4	595	FYA00038668	86	317	FYA00046940	1	375
FYA00033674	15	847	FYA00038910	24	281	FYA00046943	95	247
FYA00034026	14	521	FYA00039148	26	317	FYA00047388	5	299
			FYA00039149	27	317			

Numerical Index - Continued

Part No.	Key	Page	Part No.	Key	Page	Part No.	Key	Page
FYA00047814	1F	311	FYA40018251	17	295	FYA60030300	12	311
FYA00047815	1G	311	FYA40018252	20	293	FYA60030301	13	311
FYA00047816	1H	311	FYA40018252	18	295	FYA60030302	14	311
FYA00047981	1	391	FYA40018368	5	293	FYA60030303	15	311
FYA00047981	40	393	FYA40018368	5	295	FYA60030304	16	311
FYA00047981	1	405	FYA40018399	4	321	FYA60030677	41	561
FYA00048010	3	479	FYA40018399	4	323	FYA60031004	16	527
FYA00049011	30	299	FYA40018525	50	481	FYA60031005	30	527
FYA00049091	42	299	FYA40018525	51	481	FYA60031006	20	527
FYA00049091	6	301	FYA40018525	9	483	FYA60031007	26	527
FYA00049125	36	311	FYA40019460	5	729	FYA60031023	1	531
FYA00049125	12	353	FYA40019719	49	561	FYA60031516	23	303
FYA00049125	38	785	FYA40019941	44	561	FYA60031517	4	303
FYA00049542	1J	311	FYA40019944	36	561	FYA60032338	12	529
FYA00049543	1K	311	FYA40019945	18	561	FYA60033010	10	765
FYA00049549	5	299	FYA40020229	22	311	FYA60033011	14	761
FYA00049550	5	299	FYA40020569	8	299	FYA60033569	1	561
FYA00049551	5	299	FYA40020571	9	299	FYA60033570	16	561
FYA00050108	6	839	FYA40020843	23	311	FYA60034903	1	509
FYA00050122	91	319	FYA40021444	15	521	FYA60035843	3	531
FYA00051789	29	299	FYA40021446	12	531	FYA60035871	8	521
FYA00052306	28	299	FYA40021448	1	521	FYA60036668	2	299
FYA00052438	11	563	FYA40021536	2	281	FYA60039640	1	351
FYA00054114	4	847	FYA40021537	25	281	FYA60043809	2	299
FYA00054730	19	275	FYA40021559	2	375	FYA60045614	7	531
FYA00055024	7	839	FYA40021560	3	375	FYA60049514	1	299
FYA00055642	4	369	FYA40021827	18	533	FYA60049537	28	299
FYA00055643	2	369	FYA40021895	1	477	FYA60053953	0	379
FYA00055723	1	353	FYA40021971	1	379	FYA60057385	5	773
FYA00056767	2	391	FYA40022128	6	729	FYA60057387	3	769
FYA00056767	90	397	FYA40022214	49	293	FYA60057388	12	761
FYA00056767	90	399	FYA40022281	2	529	FYA60057389	11	765
FYA00057006	7	309	FYA40022285	1	529	FYA60057390	13	765
FYA00058359	30	321	FYA40023156	6	529	FYB00000019	25	647
FYA00058359	25	323	FYA40023160	11	529	FYB00000132	35	573
FYA00058510	0	359	FYA40023344	18	281	FYB00000280	1	569
FYA00062659	71	317	FYA40023537	7	299	FYB00000330	90	575
FYA00063537	14	281	FYA40023538	10	299	FYB00000331	33A	569
FYA00064059	62	317	FYA40024517	4	509	FYB00000549	2	63
FYA00065646	1	311	FYA40024517	3	511	FYB00000839	37	63
FYA00066017	91	317	FYA40024630	15	533	FYB00001597	8	813
FYA00067989	90	397	FYA40024631	4	533	FYB00001633	61	569
FYA00067989	90	399	FYA40025150	5	529	FYB00001843	2	813
FYA00068071	1	311	FYA40025168	8	529	FYB0000204	12	645
FYA00070474	34	785	FYA40025169	9	529	FYB00002174	22	65
FYA00070858	6	309	FYA40026911	7	297	FYB00002174	23	65
FYA00071294	1	283	FYA40029692	12	427	FYB00002175	22	65
FYA00072612	49	317	FYA40030313	46	295	FYB00002175	23	65
FYA40002175	3	475	FYA40030313	7	297	FYB00002872	1	573
FYA40002616	45	293	FYA40030314	45	293	FYB00002873	1	575
FYA40002913	7	563	FYA40030314	43	295	FYB00002882	41	63
FYA40003734	5	279	FYA40030452	2	279	FYB00003475	61	569
FYA40004445	15	563	FYA40037260	28	321	FYB40000001	19	667
FYA40004570	8	563	FYA40037260	26	323	FYB40000006	11	645
FYA40004618	2	579	FYA40037798	0	415	FYB40000015	0	647
FYA40005509	0	565	FYA40037955	2	349	FYB60000024	0	659
FYA40008075	50	293	FYA40038596	4	839	FYB60000024	3	661
FYA40008134	12	485	FYA60009917	1	521	FYB60000024	1	663
FYA40008134	12	487	FYA60009917	27	521	FYB60000024	50	667
FYA40008691	7	729	FYA60011326	5	311	FYB60000029	50	653
FYA40009363	9	431	FYA60011825	6	311	FYB60000033	50	651
FYA40009403	2	367	FYA60012308	16	299	FYB60000033	50	653
FYA40010619	19	533	FYA60013342	30	303	FYB60000033	8	653
FYA40010861	32	529	FYA60015748	10	505	FYB60000041	0	569
FYA40011128	1	533	FYA60018042	7	531	FYB60000041	1	571
FYA40012778	12	303	FYA60019683	11	521	FYB60000078	1	685
FYA40013074	44	527	FYA60019943	3	281	FYB60000078	0	741
FYA40014785	20	533	FYA60020242	37	527	FYB60000134	19	719
FYA40014824	12	279	FYA60022763	39	527	FYB60000150	7	717
FYA40014825	11	279	FYA60023714	17	295	FYB60000150	0	719
FYA40015174	51	561	FYA60023723	19	529	FYB60000173	20	799
FYA40015877	37	303	FYA60024076	1	527	FYB60000198	18	569
FYA40017094	55	303	FYA60024078	13	527	FYB60000198	0	575
FYA40017094	8	535	FYA60027216	24	359	FYB60000204	50	647
FYA40017282	7	533	FYA60027828	1	517	FYB60000205	12	645
FYA40017533	15	527	FYA60027829	4	517	FYB60000205	50	647
FYA40017744	15	561	FYA60030081	0	379	FYB60001070	7	717
FYA40017971	17	529	FYA60030283	18	527	FYB60001070	0	719
FYA40017972	30	529	FYA60030295	7	311	FYB60001358	0	569
FYA40018178	8	303	FYA60030296	8	311	FYB60001358	1	571
FYA40018250	21	293	FYA60030297	9	311	FYB60001965	0	63
FYA40018250	19	295	FYA60030298	10	311	FYB60001965	3	75
FYA40018251	19	293	FYA60030299	11	311	FYB60003495	3	75

Numerical Index - Continued

Part No.	Key	Page	Part No.	Key	Page	Part No.	Key	Page
FYD00001091	9	353	H77698	13	337	J219167	7	451
FYD00001091	3	355	H77698	12	339	J219167	6	457
FYD00004981	7	709	H77698	14	339	J219167	10	465
FYD00009506	6	317	H77698	12	341	J222008	4	293
FYD00009658	74	317	H77698	14	341	J222008	4	295
FYD00011202	5	651	H77698	11	343	J222008	7	427
H120847	19	637	H77698	8	345	J222008	12	465
H120847	14	643	H77698	21	351	J222008	9	645
H121168	20	637	H77698	22	353	J222008	18	655
H121168	13	643	H77698	21	359	J222008	22	655
H132922	16	533	H77698	22	359	J222010	9	283
H132922	18	709	H77698	31	359	J222010	5	297
H155310	8	805	H77698	0	361	J222010	15	299
H155311	9	805	H77698	12	361	J222010	13	303
H155322	23	805	H77698	5	363	J222010	9	303
H155329	24	805	H77698	6	367	J222010	5	305
H155330	25	805	H77698	3	369	J222010	8	327
H155911	9	801	H77698	3	373	J222010	14	359
H155911	9	803	H77698	51	435	J222010	19	359
H155916	17	801	H77698	52	435	J222010	2	359
H155916	17	803	H77698	5	455	J222010	9	359
H155919	14	801	H77698	11	457	J222010	17	361
H155919	14	803	H77698	12	461	J222010	9	361
H155920	13	801	H77698	13	461	J222010	2	373
H155920	13	803	H77698	2	463	J222010	12	399
H157235	9	807	H77698	11	465	J222010	4	401
H163431	15	807	H77698	12	475	J222010	0	413
H163434	33	801	H77698	5	495	J222010	3	413
H163434	33	803	H77698	4	503	J222010	3	415
H178686	3	805	H77698	2	557	J222010	2	421
H178690	10	805	H77698	4	559	J222010	0	423
H178691	11	805	H77698	6	559	J222010	3	423
H178694	17	805	H77698	4	565	J222010	2	427
H178696	19	805	H77698	7	565	J222010	0B	439
H178708	3	807	H77698	9	601	J222010	1B	439
H180210	3	801	H77698	5	607	J222010	17	441
H180210	3	803	H77698	4	645	J222010	5	443
H210728	8	523	H77698	5	645	J222010	1	469
H210728	24	525	H77698	14	655	J222010	2	471
H210728	43	527	H77698	15	655	J222010	4D	471
H210728	43	529	H77698	14	701	J222010	4J	471
H224073	27	487	H77698	4	703	J222010	5	471
H224073	8	707	H77698	13	707	J222010	20	485
H224073	36	755	H77698	20	71	J222010	20	487
H224073	36	757	H77698	0	711	J222010	2	563
H224073	6	835	H77698	12	717	J222010	3	563
H227625	15	805	H77698	29	717	J222010	7	597
H227626	15	801	H77698	34	717	J222010	4	649
H227626	15	803	H77698	20	73	J222010	12	651
H227627	13	807	H77698	28	755	J222010	9	651
H227901	33	805	H77698	28	757	J222010	10	659
H227901H	33	805	H77698	17	759	J222010	5	659
H227903	13	805	H77698	20	759	J222010	7	759
H227904	22	805	H77698	16	761	J222010	8	761
H227905	18	805	H77698	12	763	J222010	7	763
H227906	18	801	H77698	8	765	J222010	15	765
H227906	18	803	H77698	4	835	J222010	6	771
H227907	16	807	H77698	5	837	J222010	3	773
H227908	14	805	H77698	17	847	J222010	1	775
H227909	6	805	H77698	3	853	J222010	1	777
H227910	7	805	H77698	7	853	J222010	9	787
H227911	6	801	J217083	19	279	J222010	9	789
H227911	6	803	J217083	23	281	J222012	3	409
H227912	7	801	J217083	3	285	J222012	6	449
H227912	7	803	J217083	1C	441	J222012	8	455
H227913	6	807	J217083	24	485	J222012	5	477
H227914	7	807	J217083	25	487	J222012	60	561
H227915	28	805	J217083	19	505	J222012	3	57
H228111	20	805	J217083	19	507	J222012	15	723
H61354	4	737	J217083	7	509	J222012	7	723
H61354	2	783	J217083	6	511	J222012	11	779
H61354	2	785	J217083	8	517	J222012	13	789
H61354	2	797	J217083	5	519	J222012	14	795
H77698	2	173	J217083	25	521	J222014	24	293
H77698	2	269	J217083	54	529	J222014	22	295
H77698	2	273	J217083	16	531	J222014	4	331
H77698	17	279	J217083	34	533	J222014	9	343
H77698	20	303	J217083	15	535	J222014	6	345
H77698	29	321	J217083	19	537	J222014	27	669
H77698	28	323	J217083	40	561	J222014	3	77
H77698	2	329	J217083	54	561	J222014	20	833
H77698	10	331	J217083	33	729	J222016	2	277
H77698	13	335	J217083	3	793	J222016	23	293

Numerical Index - Continued

Part No.	Key	Page	Part No.	Key	Page	Part No.	Key	Page
J222016	26	293	J271030	2	421	J680616	10	483
J222016	21	295	J271030	3	423	J680616	3	483
J222016	24	295	J271030	5	443	J680820	12	431
J222016	8	305	J271030	5	471	J75481	34	671
J222016	2	307	J271030	36	527	J75481	17	673
J222016	6	409	J271030	10	817	J75481	4	677
J222016	4	579	J271035	5	297	J75481	39	801
J222016	4	61	J271035	0	413	J75481	50	801
J222018	4	389	J271035	2	427	J75481	39	803
J222018	2	593	J271035	0B	439	J75481	35	807
J222018	17	669	J271035	1B	439	J75481	5	813
J222018	18	833	J271035	2	471	J75481	17	831
J222020	2	811	J271035	4	649	J75482	8	779
J222020	2	821	J271035	5	659	J780510	5	309
J222020	16	823	J271035	8	661	J780512	19	685
J222022	10	305	J271035	6	663	J780512	3	685
J231212	6	551	J271050	9	651	J780512	14	687
J253112	5	551	J271085	9	787	J780512	8	719
J260614	33	653	J271230	2	325	J780520	11	839
J260616	0E	327	J271230	2	327	J780612	2B	597
J260616	4	425	J271230	3	57	J780612	17	653
J260616	2	433	J271250	7	723	J780616	9	595
J260620	18	441	J271275	13	787	J780616	13	855
J260620	3	495	J271275	13	789	J780620	13	847
J260620	5	497	J271275	9	789	J780625	44	295
J260635	10	527	J271275	15	795	J780625	12	299
J260635	24	529	J271280	14	795	J780625	12	667
J260816	24	299	J271285	15	723	J780625	11	845
J260816	3	359	J281025	20	441	J780625	6	849
J260816	10	361	J281025	0M	443	J780625	32	855
J260816	2	361	J281030	6	527	J780630	10	841
J260816	5	365	J281030	23	529	J780812	9	563
J260816	3	379	J281035	56	303	J780816	11	303
J260816	4	475	J281035	1	479	J780820	8	645
J260816	9	523	J281060	7	303	J780820	21	655
J260816	8	527	J281240	2	39	J780820	14	709
J260816	22	529	J400613	28	577	J780825	10	845
J260816	20	659	J450410	28	351	J780825	12	847
J260816	17	661	J450410	29	353	J780830	28	719
J260820	4	297	J450520	19	447	J780885	2	303
J260820	4	423	J450525	25	447	J781030	0	469
J260820	13	431	J460308	3	367	J781030	4K	471
J260820	8	483	J460310	8	359	J781030	10	653
J260820	17	561	J460325	10	655	J781030	7	733
J260820	2	561	J460410	29	359	J781030	2	737
J260835	23	659	J460420	18	465	J781030	6	737
J260835	20	661	J460420	33	467	J781030	3	739
J271016	11	779	J460616	26	359	J781030	32	741
J271020	15	299	J460616	2	379	J781030	3	745
J271020	13	303	J460616	11	425	J781030	3	783
J271020	4	355	J460616	19	425	J781030	3	785
J271020	14	359	J460616	3	425	J781030	3	797
J271020	19	359	J460616	9	479	J781035	11	651
J271020	17	361	J460616	10	853	J781035	6	731
J271020	9	361	J460620	7	359	J781035	8	735
J271020	2	373	J460620	4	367	J781040	1	413
J271020	12	399	J460620	1	381	J781040	22	729
J271020	2	563	J460620	9	421	J781045	23	729
J271020	3	563	J460620	8	441	J781045	2	751
J271020	7	759	J460620	17	465	J781045	2	753
J271020	8	761	J460620	32	467	J781065	2	413
J271020	7	763	J460620	0	473	J781225	10	327
J271020	15	765	J460620	17	479	J781225	11	335
J271020	6	771	J460620	5	479	J781225	11	337
J271020	3	773	J460620	1	503	J781225	1	437
J271025	9	303	J460620	1	547	J781230	3	721
J271025	6	315	J460620	5	565	J781230	24	729
J271025	8	325	J460625	11	359	J781240	3	723
J271025	8	327	J460625	1	361	J781240	25	729
J271025	9	359	J460625	12	365	J781245	7	731
J271025	4	401	J460630	15	483	J781250	26	729
J271025	0	423	J460630	12	655	J781250	8	731
J271025	17	441	J460820	25	359	J823030	7	387
J271025	10	659	J460820	3	381	J850412	1E	393
J271025	10	661	J650614	13	425	J900612	18	293
J271025	1	775	J650614	5	425	J900612	16	295
J271025	1	777	J680414	10	561	J900612	24	351
J271025	5	811	J680514	28	561	J900612	25	353
J271030	9	283	J680616	4	365	J900616	19	321
J271030	11	299	J680616	12	429	J900616	17	323
J271030	29	303	J680616	16	429	J900616	0E	325
J271030	2	359	J680616	2	429	J900616	0E	327
J271030	3	415	J680616	8	429	J900616	8	347

Numerical Index - Continued

Part No.	Key	Page	Part No.	Key	Page	Part No.	Key	Page
J900616	25	351	J901020	46	312	J901025	5	811
J900616	26	353	J901020	22	321	J901025	8	835
J900616	12	375	J901020	20	323	J901025	7	837
J900616	4	425	J901020	27	351	J901025	8	845
J900616	2	433	J901020	28	353	J901025	4	849
J900616	3	843	J901020	4	355	J901025	26	855
J900620	46	293	J901020	14	359	J901030	10	279
J900620	18	441	J901020	19	359	J901030	5	281
J900620	3	495	J901020	17	361	J901030	9	283
J900625	4	485	J901020	9	361	J901030	2	285
J900625	4	487	J901020	2	373	J901030	5	287
J900625	10	839	J901020	7	375	J901030	2	289
J900630	9	841	J901020	10	383	J901030	6	291
J900635	10	527	J901020	11	385	J901030	48	312
J900635	24	529	J901020	6	387	J901030	23	321
J900655	16	711	J901020	12	399	J901030	21	323
J900655	16	713	J901020	27	447	J901030	15	339
J900800	10	557	J901020	6	485	J901030	15	341
J900800	40	659	J901020	6	487	J901030	2	359
J900800	37	661	J901020	6	499	J901030	11	383
J900802	25	299	J901020	15	505	J901030	12	385
J900814	53	293	J901020	15	507	J901030	3	415
J900814	47	295	J901020	23	521	J901030	2	421
J900816	20	321	J901020	3	539	J901030	3	423
J900816	18	323	J901020	2	563	J901030	5	443
J900816	26	351	J901020	3	563	J901030	18	449
J900816	27	353	J901020	8	597	J901030	5	471
J900816	3	359	J901020	12	601	J901030	16	505
J900816	2	361	J901020	9	665	J901030	16	507
J900816	5	365	J901020	14	707	J901030	5	509
J900816	9	375	J901020	21	717	J901030	4	511
J900816	4	475	J901020	36	741	J901030	3	513
J900816	9	523	J901020	12	747	J901030	3	515
J900816	25	525	J901020	21	751	J901030	7	517
J900816	42	529	J901020	22	753	J901030	4	519
J900816	18	663	J901020	31	755	J901030	18	521
J900816	9	851	J901020	31	757	J901030	36	527
J900820	35	295	J901020	7	759	J901030	6	527
J900820	4	423	J901020	8	761	J901030	23	529
J900820	13	431	J901020	7	763	J901030	4	529
J900820	8	483	J901020	15	765	J901030	5	531
J900820	3	555	J901020	6	771	J901030	3	533
J900820	37	561	J901020	3	773	J901030	3	541
J900820	50	561	J901020	38	783	J901030	3	543
J900820	15	701	J901020	37	785	J901030	38	561
J900820	15	703	J901020	7	835	J901030	46	561
J900820	14	705	J901020	10	837	J901030	8	601
J900820	37	783	J901020	7	845	J901030	8	607
J900820	36	785	J901020	9	847	J901030	17	701
J900825	45	312	J901020	8	851	J901030	10	703
J900825	19	521	J901020	25	855	J901030	19	705
J900825	31	533	J901025	9	303	J901030	5	707
J900825	30	755	J901025	47	312	J901030	15	717
J900825	30	757	J901025	6	315	J901030	28	729
J900830	21	321	J901025	8	325	J901030	37	741
J900830	19	323	J901025	8	327	J901030	33	755
J900830	11	375	J901025	7	335	J901030	33	757
J900830	6	423	J901025	7	337	J901030	26	783
J900830	31	529	J901025	9	359	J901030	25	785
J900835	10	485	J901025	4	385	J901030	4	793
J900835	10	487	J901025	4	401	J901030	16	799
J900835	10	601	J901025	0	423	J901030	8	841
J900835	4	607	J901025	17	441	J901030	27	855
J900835	21	663	J901025	20	441	J901035	21	281
J900840	33	741	J901025	OM	443	J901035	36	295
J900855	59	561	J901025	20	447	J901035	5	297
J900860	34	741	J901025	15	485	J901035	56	303
J900860	29	783	J901025	15	487	J901035	0	413
J900860	28	785	J901025	10	529	J901035	2	427
J900865	18	799	J901025	5	595	J901035	0B	439
J900870	4	799	J901025	17	601	J901035	1B	439
J900890	6	603	J901025	21	601	J901035	2	471
J901000	35	741	J901025	10	659	J901035	1	479
J901004	8	315	J901025	11	663	J901035	13	485
J901010	9	315	J901025	18	701	J901035	13	487
J901016	11	779	J901025	18	703	J901035	50	529
J901016	10	827	J901025	15	707	J901035	14	531
J901016	8	847	J901025	8	717	J901035	14	535
J901020	10	281	J901025	15	747	J901035	18	537
J901020	13	293	J901025	32	755	J901035	11	557
J901020	12	295	J901025	32	757	J901035	1	595
J901020	15	299	J901025	1	775	J901035	9	597
J901020	13	303	J901025	1	777	J901035	4	649

Numerical Index - Continued

Part No.	Key	Page	Part No.	Key	Page	Part No.	Key	Page
J901035	5	659	J901430	26	669	J950010	24	711
J901035	6	663	J901430	4	751	J950010	19	713
J901035	20	717	J901430	4	753	J950012	3	645
J901035	9	735	J901430	30	833	J950012	30	717
J901035	34	801	J901435	2	77	J950012	6	853
J901035	34	803	J901435	1	819	J950012	39	855
J901035	34	805	J901635	12	47	J950016	25	383
J901035	30	807	J901635	12	49	J950016	26	385
J901040	14	533	J901640	31	855	J950016	19	671
J901040	45	561	J901645	37	569	J950016	14	673
J901040	1	659	J901645	2	61	J950016	14	831
J901040	4	661	J901650	0P	443	J950020	7	669
J901040	2	663	J921025	2	383	J950020	17	671
J901040	28	855	J921025	12	525	J950020	12	673
J901045	49	312	J921025	28	525	J950020	12	831
J901045	7	529	J921030	18	485	J950020	15	833
J901045	22	711	J921030	18	487	J950022	11	305
J901050	9	651	J921055	8	549	J952010	4C	471
J901060	7	303	J921065	4	305	J952014	5J	331
J901065	22	711	J921225	58	561	J971030	31	801
J901065	17	713	J921240	4	477	J971030	31	803
J901070	47	561	J921240	62	561	J971030	27	807
J901070	19	799	J921245	9	293	JD5815	11	639
J901075	10	847	J921245	2	409	JD7759	31	683
J901080	50	312	J921245	4	567	JD7759	16	809
J901080	13	791	J921250	29	855	JD7769	8	779
J901080	10	793	J921450	25	293	JD8514	10	569
J901085	14	485	J921450	23	295	K40001	10	639
J901085	14	487	J921635	1	277	L112347	12	281
J901085	9	787	J921640	1	307	L79337	2	603
J901085	9	789	J921640	3	579	L79337	9	607
J901085	5	849	J921655	22	293	M340513	26	719
J901090	9	845	J921655	20	295	M340816	3	449
J901208	23	795	J921655	8	579	M340816	14	451
J901210	26	795	J921665	28	293	M340816	2	455
J901220	2	567	J921665	26	295	M340816	64	569
J901225	10	735	J921665	7	305	M340820	37	573
J901230	2	325	J921680	5	579	M340820	37	575
J901230	3	529	J921840	3	389	M340825	9	457
J901230	3	57	J921840	16	669	M340825	9	465
J901230	2	59	J921840	17	833	M340825	55	571
J901230	29	729	J921850	1	593	M341030	21	569
J901230	10	733	J922000	12	383	M341030	53	575
J901235	16	701	J922000	13	385	M341056	43	573
J901235	24	701	J922004	13	383	M341056	43	575
J901235	7	723	J922004	14	385	M341090	52	575
J901235	40	783	J922060	1	821	M341228	3	823
J901235	39	785	J922060	15	823	M341236	29	801
J901235	1	815	J922204	5	411	M341236	29	803
J901235	12	817	J922212	9	305	M341236	31	805
J901240	2	39	J931600	11	41	M341245	60	571
J901240	13	703	J931640	21	63	M341645	21	827
J901240	12	705	J932055	6	63	M341850	40	65
J901240	11	841	J950005	26	447	M342045	25	825
J901245	9	295	J950006	17	711	M351020	6	41
J901250	19	71	J950006	18	713	M430613	7	331
J901250	19	73	J950008	6	293	M430613	8	343
J901250	11	847	J950008	6	295	M430613	5	345
J901265	9	781	J950008	12	527	M492564	13	569
J901265	11	783	J950008	28	529	M500605	52	293
J901265	11	785	J950008	17	655	M500807	25	561
J901265	29	795	J950010	14	279	M500807	17	573
J901270	30	729	J950010	17	321	M500807	16	575
J901270	2	733	J950010	16	323	M500807	7	659
J901270	17	783	J950010	10	335	M500807	8	663
J901270	17	785	J950010	8	339	M570010	18	321
J901275	10	781	J950010	5	343	M63200	3	505
J901275	13	787	J950010	6	347	M63200	3	507
J901275	13	789	J950010	32	351	M63200	4	525
J901275	12	791	J950010	33	353	N198631	33	351
J901275	15	795	J950010	12	441	N198631	34	353
J901280	11	781	J950010	21	447	N198631	8	499
J901280	14	795	J950010	14	505	N198631	9	703
J901285	15	723	J950010	14	507	N198631	7	705
J901285	15	733	J950010	4	523	N198631	9	707
J901285	30	855	J950010	16	525	N231749	2	75
J901290	8	723	J950010	20	525	N380408	3	835
J901290	31	729	J950010	40	529	P63448	29	319
J901290	12	783	J950010	13	533	PF13564	2	598
J901290	12	785	J950010	29	533	PF81399	4	598
J901430	3	331	J950010	34	573	PF81429	3	598
J901430	4	343	J950010	31	575	PF81438	1	598
J901430	4	345	J950010	11	607	PF81438	3	598

Numerical Index - Continued

Part No.	Key	Page	Part No.	Key	Page	Part No.	Key	Page
PFA10255	1	598	T110444	5	597	T232175	3	639
PFA10255	3	598	T110448	10	807	T232176	4	639
PFA10259	4	603	T111645	26	719	T232181	5	639
PFA10274	3	598	T111819	31	65	T232186	6	639
PFA10319	1	598	T11234	21	637	T232192	8	639
PFA10319	3	598	T1156A	5	611	T232235	14	639
PFA10480	3	598	T1156A	5	613	T24359	5	603
PFA10481	1	598	T1156A	5	615	T248455	38	317
PFA10481	3	598	T1156A	5	617	T248570	70	317
PFA10881	2	607	T1156A	5	619	T248572	70	317
PFA10882	2	607	T1156A	5	621	T248574	70	317
PFA10884	2	604	T1156A	5	623	T248607	0B	389
PFA10898	1	604	T1156A	5	625	T2530LK	3	629
PFA11990	1	604	T1157A	6	611	T2530PN	2	629
PG200112H	60	803	T1157A	6	613	T257730	54	637
PG200113H	60	801	T1157A	6	615	T257730	6	643
PG200114H	60	805	T1157A	6	617	T257731	50	637
PG200115H	60	807	T1157A	6	619	T257732	52	637
PG200139	1	63	T1157A	6	621	T257733	51	637
PG200139	0	65	T1157A	6	623	T257734	53	637
PG200154	11	813	T1157A	6	625	T276079	19	809
PG201199	1	807	T116332	3	389	T276080	18	809
PG201201	2	807	T116332	16	669	T276082	17	809
PG201207	1	801	T116332	17	833	T276083	10	809
PG201207	1	803	T13624	21	801	T276092	2	809
PG201209	2	801	T13624	21	803	T276098	11	809
PG201209	2	803	T13624	19	807	T276467	4	681
PG203773	0	569	T139614	11	51	T276469	12	683
PG203773	1	571	T139614	11	53	T276470	14	681
PG203775	50	823	T139615	12	51	T276470	19	683
PG203775	1	825	T139615	12	53	T276673	14	683
PH50229231	3	604	T146097	10	317	T277101	4	683
PH60228055	4	604	T146667	7	317	T277102	7	683
PM02704	7	639	T147008	38	317	T277117	33	683
PM37391	9	813	T149983	36	319	T28949	39	311
R134002	22	303	T151857	16	523	T28949	12	351
R134070	5	411	T152608	9	779	T28949	13	353
R168831	34	393	T153674	42	659	T28949	16	717
R168831	2	405	T153674	40	661	T28949	39	799
R205544	11	601	T153676	42	659	T300469	28	445
R26448	7A	637	T186383	13	53	T30S	1	629
R26448	32	659	T190393	12	317	T315831	29	445
R26448	36	661	T202379	20	711	T322546	30	445
R26448	18	711	T202379	23	713	T322772	31	445
R26448	20	713	T203958	9	813	T322773	32	445
R26552	11	67	T209259	9	51	T32854	40	311
R26552	21	805	T209259	9	53	T32854	8	665
R27212	38	659	T209260	6	51	T32854	22	717
R27212	33	661	T209260	6	53	T32854	42	741
R27212	19	711	T211051	4	309	T32854	10	747
R27212	21	713	T223082	20	317	T32854	26	755
R29424	5	733	T223713	23	445	T32854	26	757
R29424	0	737	T225266	12	571	T338205	85	319
R29424	1	745	T225936	24	445	T346392	47	439
R29936	3	679	T225938	25	445	T346392	8	443
R29936	24	787	T225939	26	445	T346392	43	637
R29936	24	789	T228058	27	445	T353784	26	711
R44302	2	173	T229312	9	683	T353784	24	713
R44302	2	269	T229330	22	683	T361673	55	317
R44302	24	643	T229481	5	681	T361674	55	317
R50454	42	311	T229481	8	683	T361676	55	317
R50454	7	315	T229485	12	809	T363442	1	627
R50454	4	499	T229499	13	683	T379473	1	609
R56171	27	299	T229509	15	681	T379473	28	671
R72659	6	361	T229509	23	683	T379473	16	831
R73384	8	495	T229515	19	681	T387695X19	12	317
R73384	41	741	T229515	30	683	T387695X28	12	317
R99052	10	685	T232151	41	637	T387695X63	12	317
R99052	25	685	T232154	42	637	T396393	1B	407
R99052	8	687	T232157	47	439	T396635	7	405
R99052	21C	719	T232157	6	443	T421988	15	841
R99052	3C	719	T232157	43	637	T421988	14	845
T101942	31	319	T232157	26	643	T421988	20	847
T107446	4	735	T232158	47	439	T433703	20	641
T108019	4	801	T232158	7	443	T433705	21	641
T108019	4	803	T232158	43	637	T433713	5	641
T108036	32	807	T232158	26	643	T433720	11	641
T108036H	32	807	T232159	47	439	T433723	26	641
T108041	4	807	T232159	43	637	T433912	1	641
T108050	4	805	T232159	26	643	T433913	2	641
T108221	13	425	T232161	44	637	T433919	3	641
T108221	5	425	T232166	45	637	T433920	6	641
T110444	4A	595	T232167	2	639	T433921	7	641

Numerical Index - Continued

Part No.	Key	Page	Part No.	Key	Page	Part No.	Key	Page
T433922	8	641	TH102445	0G	669	TY25803B	1	323
T433943	9	641	TH102445	2	669	TY26190	10	311
T433944	10	641	TH102445	0G	671	TY26190	11	311
T433945	12	641	TH102445	32	671	TY26190	12	311
T433946	25	641	TH102445	0D	673	TY26190	13	311
T436557	4	641	TH102445	3	673	TY26190	14	311
T436562	29	641	TH102445	25	801	TY26190	15	311
T441102X019	27	643	TH102445	25	803	TY26190	7	311
T441102X028	27	643	TH102445	0D	831	TY26190	8	311
T441102X063	27	643	TH102445	10	833	TY26190	9	311
T441103X019	29	643	TH102445	4	833	U12547U	1	715
T441103X028	29	643	TH102446	1	673	U16721	32	683
T441103X063	29	643	TH102446	3	677	U43792	21	631
T441105X019	28	643	TH102446	23	801	X12-6TRLO-S	22	637
T441105X028	28	643	TH102446	23	803	X1216F4OMXS	23	787
T441105X063	28	643	TH102446	27	805	X1216F4OMXS	23	789
T59014	6	733	TH102446	23	807	X12BL-S	23	637
T59014	7	735	TH102446	1	831	X12R6LO-S	24	637
T59014	1	737	TH102560	7	573	X16F4OMXS	23	787
T59014	2	745	TH102560	50B	575	X16F4OMXS	23	789
T72216	16	729	TH102560	7	575	X1J9782016	25	787
T72216	4	731	TH102766	5	805	X1J9782016	25	789
T76938	10	679	TH103780	11	795	X1JS782016	25	787
T76938	2	679	TH104472	31	671	X1JS782016	25	789
T76938	3	679	TH104472	2	673	X4-6F5OLO-S	25	637
T76938	6	781	TH104472	21	807	X4-6F5OLO-S	23	643
T76938	5	783	TH104472	2	831	X4F5OLO-S	9	643
T76938	5	785	TH104922	16	801	X6-4C5OLO-S	26	637
T76938	4	787	TH104922	16	803	X6-4F5OLO-S	27	637
T76938	4	789	TH104923	19	801	X6-4F5OLO-S	22	643
T76938	11	791	TH104923	19	803	X6-4V5OLO-S	11	643
T76938	6	791	TH104926	8	807	X6F5OLO-S	28	637
T76938	8	791	TH104929	11	801	X6F5OLO-S	8	643
T76938	8	793	TH104929	11	803	X6FLO-S	29	637
T76938	7	795	TH104944	5	801	X6FLO-S	18	643
T76938	42	805	TH104944	5	803	X6HP5ON-S	30	637
T77613	7B	637	TH104953	8	801	X6HP5ON-S	7	643
T77858	25	671	TH104953	8	803	X6V5OLO-S	10	643
T77858	19	673	TH105767	14	807	XCL-19	16	351
T77858	5	679	TH108313	12	787	XCL-19	1	359
T77858	6	679	TH108313	12	789	XCL-29	7	361
T77858	4	71	TH108313	12	795	XHG-075	12	737
T77858	8	721	TH108649	0B	635	XHG-075	13	737
T77858	4	725	TH109353	11	807	XHG-075	16	737
T77858	4	727	TH109357	17	807	XHG-075	7	737
T77858	4	73	TH111692	1	75	XHG-075	13	783
T77858	8	733	TH3086417	1	69	XHG-075	14	783
T77858	6	735	TH4101345	33C	569	XHG-075	13	785
T77858	6	745	TH4396836	8	69	XHG-075	14	785
T77858	5	781	TH4396950	13	69	Z449490	55	529
T77858	19	831	TH4396955	7	69	Z449490	12	733
T78612	4	679	TH4438059	61	569	Z449490	14	841
T78612	6	783	TH4451036	90	569	Z449558	14	595
T78612	6	785	TH4451784	24	691	Z957366	3	743
T78612	8	787	TH4451787	24A	691	Z962453	2	783
T78612	8	789	TH4451788	37A	691	Z962453	2	785
T78612	4	791	TH4451789	39	691	Z962453	2	797
T78612	7	793	TH4600133	10	65	Z964255	41	653
T78787	20	351	TH9753750	5	69	Z964255	14	667
TF23D	22	631	THA885008	10	789	Z966993	4	783
TF23P	23	631	THA885008	16	795	Z966993	4	785
TH100074	34	671	TPDE31329	29	611	Z966993	4	797
TH100074	5	813	TPDE31329	29	613	Z971489	6	733
TH100125	10	801	TPDE31329	29	615	Z971489	7	735
TH100125	10	803	TPDE31329	29	617	Z971489	2	739
TH100433	6	47	TPDE31329	29	619	Z971489	2	745
TH100433	6	49	TPDE31329	29	621	Z986910	5	733
TH100483	11	569	TPDE31329	29	623	Z986910	1	739
TH100679	7	595	TPDE31329	29	625	Z986910	1	745
TH101724	37	569	TY22324	18	311	Z991334	5	655
TH101813	87	569	TY22324	19	311	Z991347	7	817
TH101926	7	67	TY22472	7	279			
TH101926	16	69	TY22472	8	279			
TH101926	10	787	TY22485	5	277			
TH101926	22	787	TY22564	14	293			
TH101926	7	787	TY22564	13	295			
TH101926	10	789	TY24397	6	281			
TH101926	22	789	TY24398	15	311			
TH101926	7	789	TY24398	17	311			
TH101926	16	795	TY25139	13	397			
TH102181	23	569	TY25195	11	281			
TH102409	5	669	TY25803	1	321			
TH102409	13	833	TY25803B	1	321			

